

D3MG 3 DECK MEAT/DELI MERCHANDISER

Tyler Refrigeration Corporation

850 Btuh/Ft. @ + 15°F Suction & + 28°F Entering Air Temp.

CASE MODELS	LINEAL FEET	75°F (24°C) Store 1000 Btuh/hr Req'd.	CONDENSING UNIT SELECTION CHART R-22					LINE SIZING					ELECTRICAL DATA										
			AIR ENTERING THIS CONDENSING UNIT THN (Remote) Units can be Selected provided Cond is sized for 10-15F TD or less					SUCTION LINE					DEFROST		115 VOLT DATA								
			85F 30C	90F 32C	95F 35C	100F 38C	105F 41C	M	E	T	E	R	L	Q	U	I	D	One Phase Tot. Amps	Defrost Control Required. -3 = 3Ph.	3 Ph High Leg Amp	Fan Amp HEF Std. (A)	STD. Anti-Sweat Amps (B)	STD. Lite Amps (C)
			15	30	45	60	75	50	100	150	200	250	3/8	1/2	1/2	1/2	1/2	1/2	1/2	1/2	1/2	1/2	1/2
8' 12'	6	5.1														6.5	TG-30		.7	.7	3.9		
1	8	6.8	110-22S													6.9			.7	1.0	4.0		
	12	10.2	150-22S													10.3			1.1	1.4	5.5		
2	16	13.6	190-22S													13.8	TG-3-30		1.5	2.0	8.0		
1	20	17.0	200-22S													17.2		12A	1.4	2.0	8.0		
	24	20.4	300-22H													20.6		15A	1.8	2.4	9.5		
2	28	23.8	300-22S													24.1	TG-40	18A	2.2	2.8	11.0		
1	32	27.2	400-22S													27.5		15A	2.5	3.4	13.5		
	36	30.6	D501-22S													30.9	TG-50	18A	2.9	3.8	15.0		
2	40	34.0	D551-22S													34.4		18A	3.3	4.2	16.5		
1	44	37.4	D741-22S													37.8	TG-3-40	21A	3.6	4.8	19.0		
	48	40.8														41.2		25A	4.0	5.2	20.5		
2	52	44.2	D751-22S													44.7		28A	4.4	5.6	22.0		
																		30A	4.7	6.2	24.5		

- CASE CIRCUITS: (115-1-60) - (A)** Includes Standard or HEF (Hi-Efficiency) fans - **(B)** Includes Standard rear riser & glass retainer anti-sweat heaters only - **(C)** Includes 1 row of T-8 Canopy lights w/T-8 electronic ballasts + 2 rows of T-8 lighted shelves w/T-8 electronic ballasts.
- DEFROST CIRCUITS: OFF CYCLE** defrost is standard (use TC defrost module) - **OPTIONAL ELECTRIC** defrost uses a single or 3 phase 208V circuit. - **OPTIONAL HOT GAS** defrost uses 2 control wires @ 208V per lineup

ANNUAL COMPARATIVE OPERATING COST PER FOOT OF CASE (C.O.C.)

CONTROL SETTINGS (R-22)

CASE	FANS	A/S Heat	Lights	208V Defrost	Condensing Unit	TOTALS††	DEFROST CONTROL			PRESSURE	
	\$.77	\$ 1.20	\$.74	\$.78 (opt)	\$ 12.40	\$ 15.89	P/Day	Mode	Failsafe	Term.	CUT IN:
8'	70w	108w	136w	1430w			2	Timed Off	60 Min.	55°	52-56#
12'	105w	165w	204w	2145w			2	Electric	36 Min.	50°	CUT OUT:
							3-4	Hot Gas	12-15 Min.	70°	26-29#

Case Ft. x C.O.C. = "Cost per Year" @ 1¢/KWH. USE TOTALS TO COMPARE CASES & OPTIONS! *HEF Efficiency Fans *††@ 1¢/KWH (208V Def. Not Incl.)

CASE BTUH REQUIREMENTS are calculated to produce approximately the indicated entering case air temp with absolute maximum operating ambient limits of 75F & 55% RH. **SUCTION LINE SIZING:** Select the point of intersection of the case line-up and the equivalent footage. Allow for all fittings in addition to the actual line length. **STEP SIZING** is suggested for selections falling in the first half of a size range. Pipe one size smaller can be used on the 50' of the run closest to the cases when the entire run is 100' equivalent feet or more. **LIQUID LINE SIZING** is based on 5lb. pressure drop in 150' of line. See complete line size charts in front of the TYLER SPEC GUIDE BOOK.

The information contained herein is based on technical data and tests which we believe to be reliable and is intended for use by persons having technical skill, at their own discretion and risk. Since conditions of use are outside Tyler's control, we can assume no liability for results obtained or damages incurred through the applications of the data presented. **SPECIFICATIONS ARE SUBJECT TO CHANGE WITHOUT NOTICE. Printed in the U.S.A.**

C:\MANUALS\D3MG\SPEC\D3MG.CHP

Tyler Spec Sheet

M-40

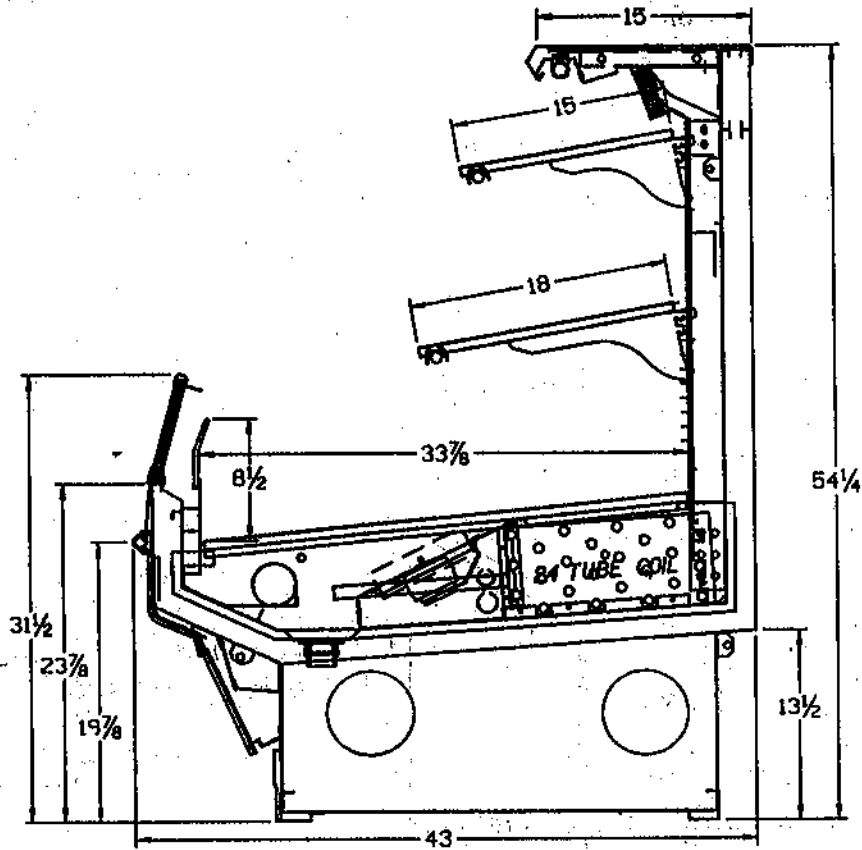
3 DECK FRESH MEAT/DELI

D3MG

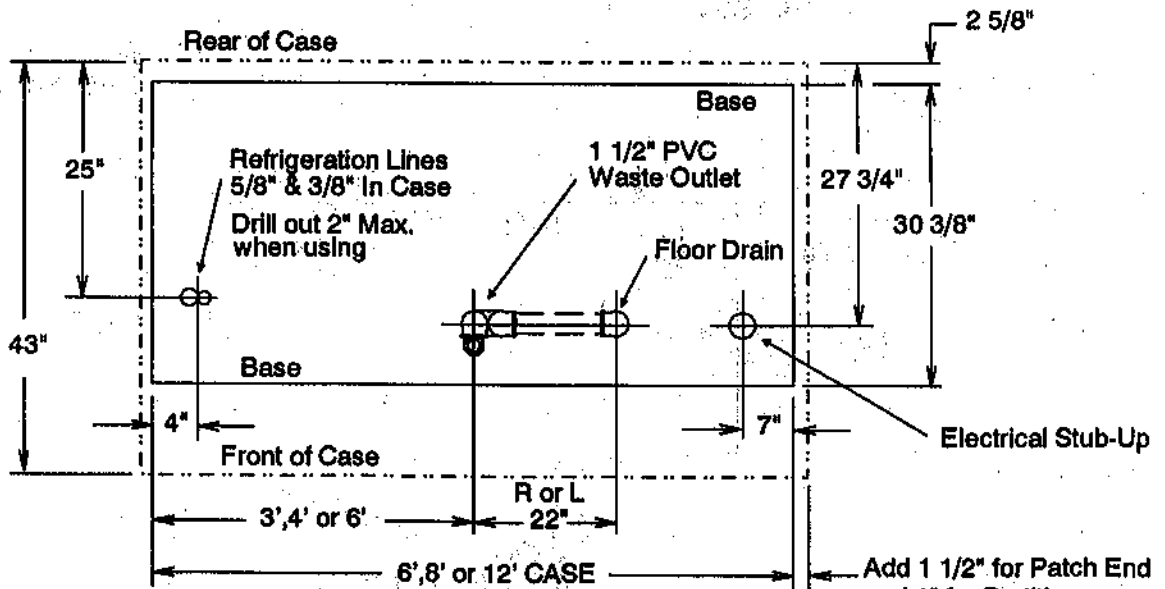
SG 002066

Issued 3/94

D3MG 3 DECK MEAT/DELI MERCHANDISER



CROSS SECTION



FLOOR PLAN

D:\MANUALS\D3MG\SPEC\D3MG3SEC.CHP

Tyler Refrigeration Corp.

M-41

3 DECK FRESH MEAT/DELI

D3MG

SG 02067

Issued 2/94