

# L1P/L4P MULTI-SHELF PRODUCE CASE

MODEL	L1P/L4P	L1P/L4P
USAGE	WRAPPED PRODUCE	BULK PRODUCE
BTUH/FT	900	750
SUCTION*	+20F	+20F
ENTER AIR	+35F	+38F

NOTE: COMPRESSOR SIZING SHOULD ALLOW FOR SUCTION LINE PRESSURE DROP.

THE ABOVE RATINGS ARE FOR COMPRESSOR SELECTION ONLY. FOR ENERGY CALCULATION DATA REFER TO THE ENERGY SECTION. FOR COMPRESSOR SIZING INFORMATION REFER TO THE "GOLD" SECTION & FOR LINE SIZING INFORMATION REFER TO THE "BUFF" SECTION OF THE TYLER SPECIFICATION GUIDE.

DEFROST CONTROL			BACKUP PRESSURE SETTINGS*		EPR SETTINGS**	
PER DAY	MODE	TIME	CUT IN	CUT OUT	R22	R404A
3 WRAP	TIME OFF	40 MIN.	40# @ R22	30# @ R22	43#	---
3-4 BULK	TIME OFF	40 MIN.	45# @ R22	35# @ R22	45#	---

\* Used with Thermostat or EPR Control.

\*\* Set EPR to give this pressure at the case.

CASE-TO-CASE SUCTION LINE SUB-FEED BRANCH LINE SIZING																	
	8'	12'	16'	20'	24'	28'	32'	36'	40'	44'	48'	52'	56'	60'	64'	68'	72'
R22 WRAP	5/8"	5/8"	7/8"	7/8"	7/8"	7/8"	7/8"	1 1/8"	1 1/8"	1 1/8"	1 1/8"	1 1/8"	1 1/8"	1 1/8"	1 1/8"	1 3/8"	1 3/8"
R22 BULK	1/2"	5/8"	5/8"	7/8"	7/8"	7/8"	7/8"	7/8"	7/8"	1 1/8"	1 1/8"	1 1/8"	1 1/8"	1 1/8"	1 1/8"	1 1/8"	1 1/8"

**SHELVING AND MIRROR NOTES:** L1P has a 30" standard mirror and shelves are not allowed. 15" and 18" shelves are available for the L4P. When two sizes are used, the smaller must be used on top. Optional 16", 23" or 30" mirror is available on the L4P.

**CASE BTUH REQUIREMENTS** are calculated to produce approximately the indicated entering air temperature with absolute maximum operating ambient limits of **75F & 55RH**.

The information contained herein is based on technical data and tests which we believe to be reliable and is intended for use by persons having technical skill, at their own discretion and risk. Since conditions of use are outside Tyler's control, we can assume no liability for results obtained or damages incurred through the applications of the data presented. SPECIFICATIONS ARE SUBJECT TO CHANGE WITHOUT NOTICE.

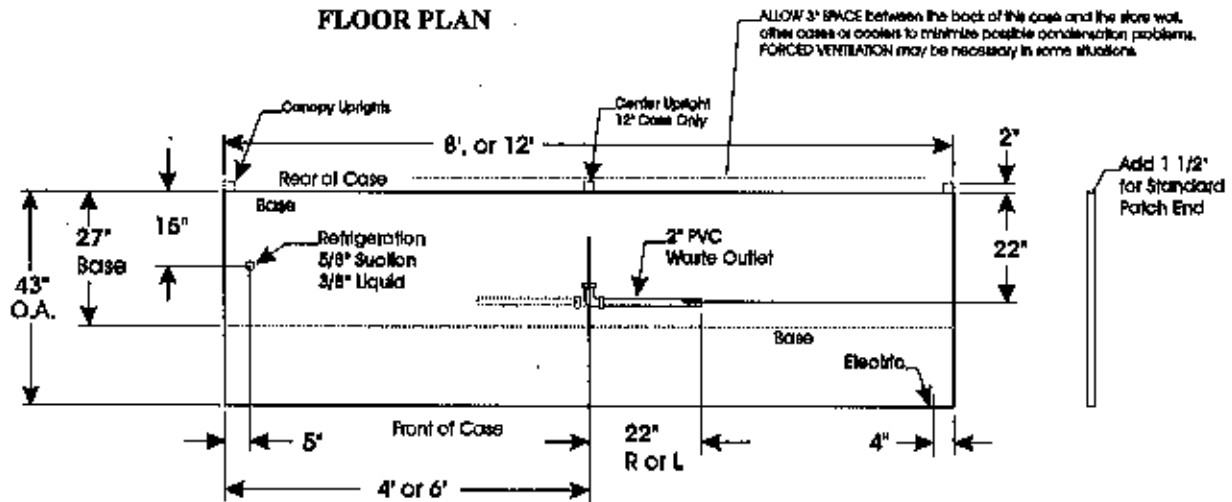
# L1P/L4P MULTI-SHELF PRODUCE CASE

120 VOLT ELECTRICAL DATA (AMPS)		
LENGTH	STD. FANS	ECM FANS
8'	1.2	.4
12'	1.8	.6

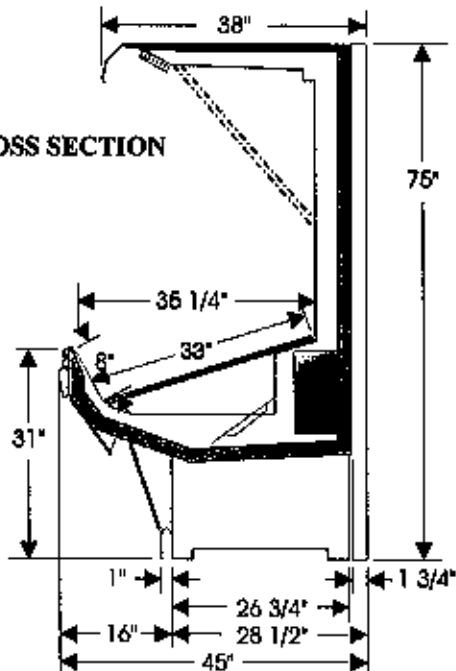
OPTIONAL 120 VOLT LIGHTING FOR L4P (AMPS) T-8 ELECTRONIC BALLASTS (8SHELVES)		
ROW	8'	12'
1	.9	1.3
2	1.4	2.1
3	1.8	2.6

STANDARD 120 VOLT LIGHTING (AMPS) T-8/ ELECTRONIC BALLASTS (CANOPY)		
ROW	8'	12'
1	.6	.9
OPTIONAL 120 VOLT LIGHTING (AMPS) T-8/ ELECTRONIC BALLASTS (CANOPY)		
2	1.1	1.8

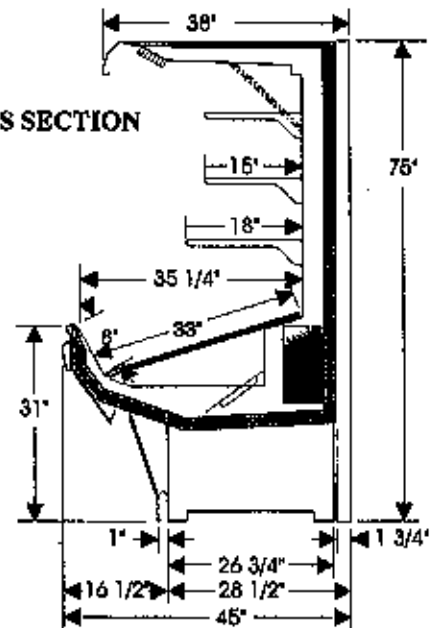
## FLOOR PLAN



## L1P CROSS SECTION



## L4P CROSS SECTION



Case VENTURA 5.0 - L1(L4)P1.PUB