

TYLER



Shelf Installation Sheet



A3MGE AND L3MGE SERIES CROWNED END CASES

This supplemental sheet describes the proper installation of shelves on A3MG and L3MGE Series cases. Use in conjunction with the Corner Case & General Installation & Service Manuals.

This merchandiser conforms to the Commercial Refrigeration Manufacturers Association Health and Sanitation standard CRS-S1-97.

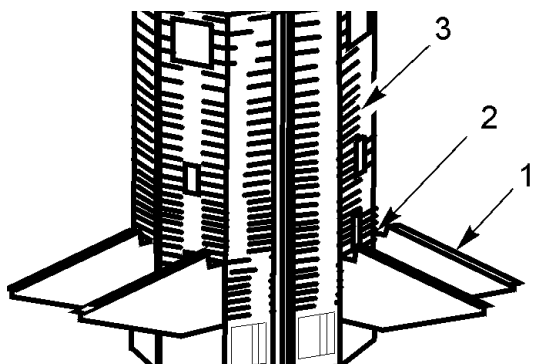
PRINTED IN U.S.A.	Specifications subject to change without notice.	REPLACES EDITION	1/99	ISSUE DATE	4/99	PART NO.	9407437	REV.	B
-------------------	--	------------------	------	------------	------	----------	---------	------	---

Shelf Installation and Alignment Information

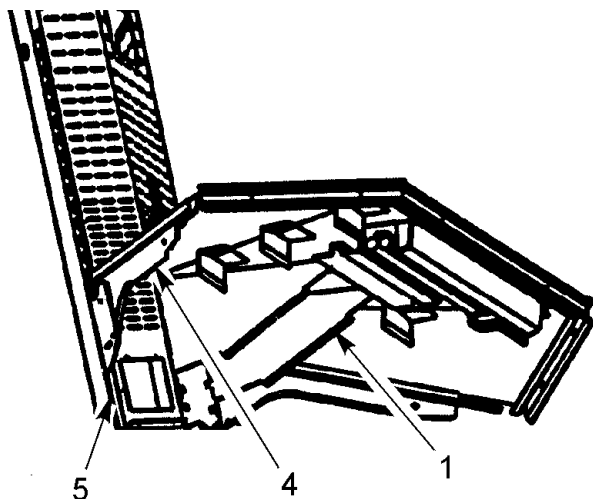
NOTICE TO INSTALLER:

A3MGE and L3MGE shelves are designed to be used at a 15° angle only. These shelves will not fit any other end cases. The following steps must be followed to assure proper alignment of the end shelves with the adjoining case shelves.

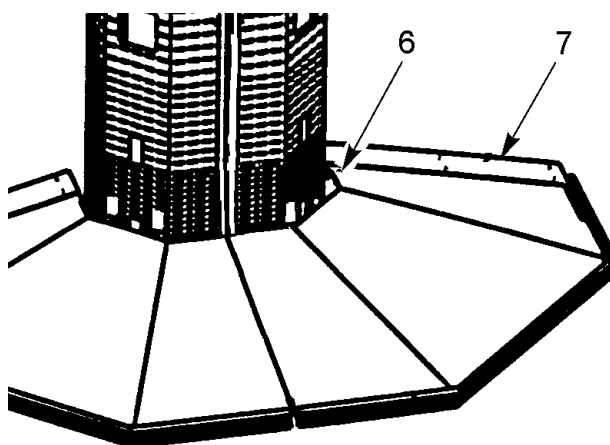
Lower Shelf Installation



1. Position center shelf brackets (1) in desired center slots (2) in rear duct (3).



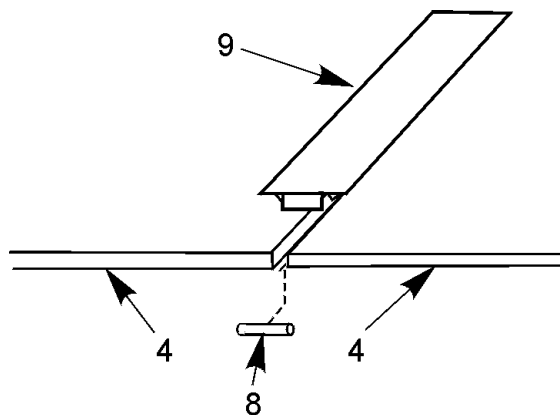
2. Install lower shelf & bracket assemblies (4) in outside slots (5) and on top of center brackets (1). The center brackets fit under a lip on the bottom side of the lower shelf & bracket assembly.



3. Loosen set screws (6) in top of end T-strips (7). Position end T-strips to connect and cover space between shelves. Tighten set screws (6).

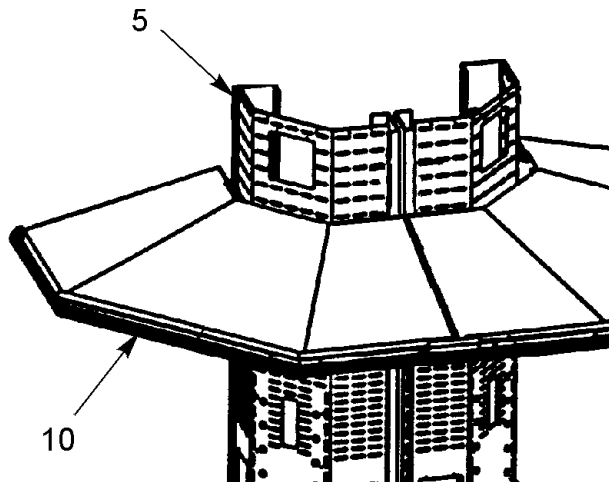
NOTE

The end T-strips will fit over the end of the adjoining shelves.

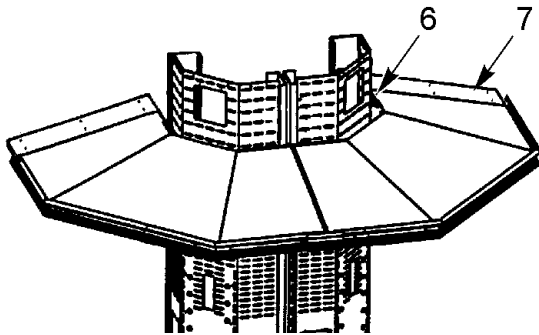


4. Connect and secure the end of the lower shelf and bracket assemblies by snapping in the aluminum sleeve (8) under the center front lips of the two shelves (4).
5. Install the center shelf strip (9) over the center end space between the shelves.

Upper Shelf Installation



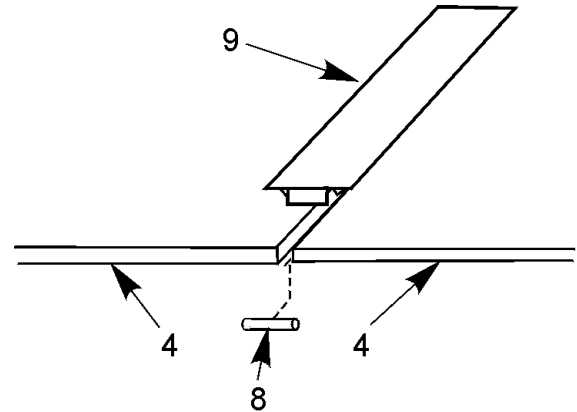
1. Install upper shelf & bracket assemblies (10) in outside slots (5) in rear duct.



2. Loosen set screws (6) in top of end T-strips (7). Position end T-strips to connect and cover space between shelves. Tighten set screws (6).

NOTE

The end T-strips will fit over the end of the adjoining shelves.



3. Connect and secure the end of the upper shelf and bracket assemblies by snapping in the aluminum sleeve (8) under the center front lips of the two shelves (10).
4. Install the center shelf strip (9) over the center end space between the shelves.