

L5MG FRONT LOAD 5 DECK MEAT/DELI CASE

MODEL	L5MG	L5MG
USAGE	DELI	MEAT
BTUH/FT	1703	1793
SUCTION°	+18°F	+15F
ENTER AIR°	+29F	+27F

THE ABOVE RATINGS ARE FOR COMPRESSOR SELECTION ONLY. FOR ENERGY CALCULATION DATA REFER TO THE ENERGY SECTION.

NOTE: FOR COMPRESSOR SIZING INFORMATION REFER TO THE "GOLD" SECTION & FOR LINE SIZING INFORMATION REFER TO THE "BUFF" SECTION OF THE TYLER SPECIFICATION GUIDE.

208 VOLT DEFROST (AMPS)											
FT	8	12	16	20	24	28	32	36	40	44	48
DELI/ MEAT 1 PH	6.9 TG-30	10.3 TG-30	13.8 TG-30	17.2 TG-30	20.6 TG-30	24.1 TG-40	27.5 TG-40	30.9 TG-40	34.4 TG-50	37.8 TG-50	41.2 TG-50
DELI/ MEAT 3 PH	N/A	N/A	12.0 TG-3 -30	15.0 TG-3 -30	18.0 TG-3 -30	15.0 TG-3 -30	18.0 TG-3 -30	18.0 TG-3 -30	21.0 TG-3 -30	25.0 TG-3 -40	28.0 TG-3 -40
CASE-TO-CASE SUCTION LINE SUB-FEED BRANCH LINE SIZING											
R22 DELI	7/8"	7/8"	7/8"	1 1/8"	1 1/8"	1 1/8"	1 1/8"	1 3/8"	1 3/8"	1 3/8"	1 3/8"
R22 MEAT	7/8"	7/8"	7/8"	1 1/8"	1 1/8"	1 1/8"	1 3/8"	1 3/8"	1 3/8"	1 3/8"	1 3/8"

DEFROST CONTROL				PRESSURE SETTINGS			EPR SETTINGS	
PER DAY	MODE	TIME	TERM.		CUT IN	CUT OUT	R22	R404A
4	ELECT	36 MIN.	50F	DELI	58-60# @ R22	32-35# @ R22	43#	---
4	TIME OFF	46 MIN.		MEAT	52-56# @ R22	26-29# @ R22	37#	---
4	HOT GAS	12-15 MIN.	55F	DELI	72-75# @ R404A	43-46# @ R404A	---	55#
				MEAT	66-70# @ R404A	35-39# @ R404A	---	48#

DEFROST CIRCUITS: OFF CYCLE defrost is standard (use TC defrost module) - **OPTIONAL ELECTRIC** defrost uses a single or 3 phase 208v circuit - **OPTIONAL HOT GAS** defrost uses 2 control wires @ 208v per lineup.

CASE BTUH REQUIREMENTS are calculated to produce approximately the indicated entering air temperature with absolute maximum operating ambient limits of 75F & 55RH.

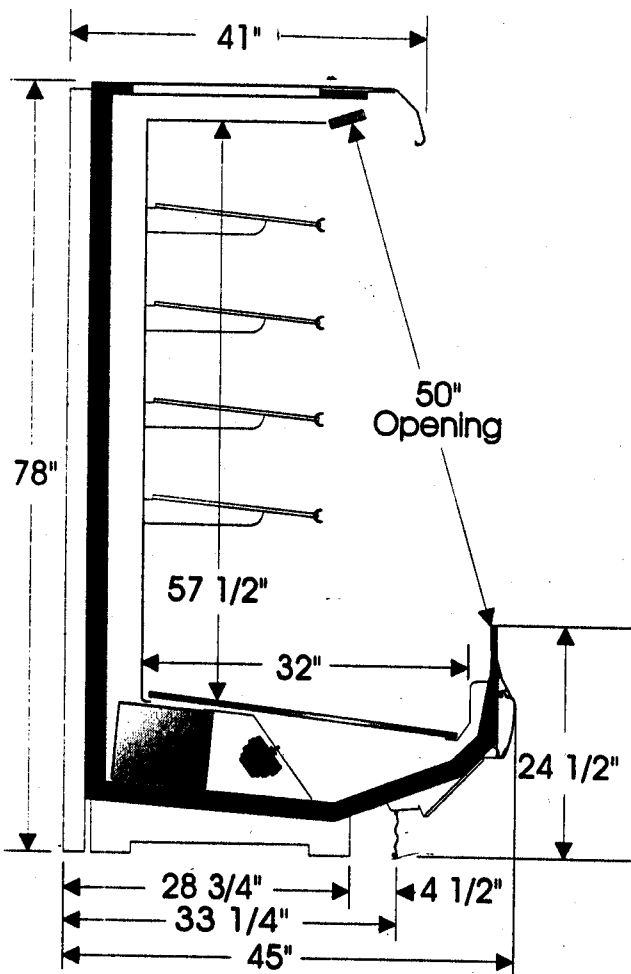
Screens are standard. Shelving must be ordered separately. Use either all 15" or 18" shelves (NO MIXING), shelves must also be aligned to prevent disruption of air flow. Lights on shelves are optional, but not recommended because the added heat shortens shelf life of meat and increases operating costs.

When mirrors are used, only 12" wide mirrors are allowed.

The information contained herein is based on technical data and tests which we believe to be reliable and is intended for use by persons having technical skill, at their own discretion and risk. Since conditions of use are outside Tyler's control, we can assume no liability for results obtained or damages incurred through the applications of the data presented. SPECIFICATIONS ARE SUBJECT TO CHANGE WITHOUT NOTICE.

Corel VENTURA 5.0 - L5MG.PUB

L5MG FRONT LOAD 5 DECK MEAT/DELI CASE

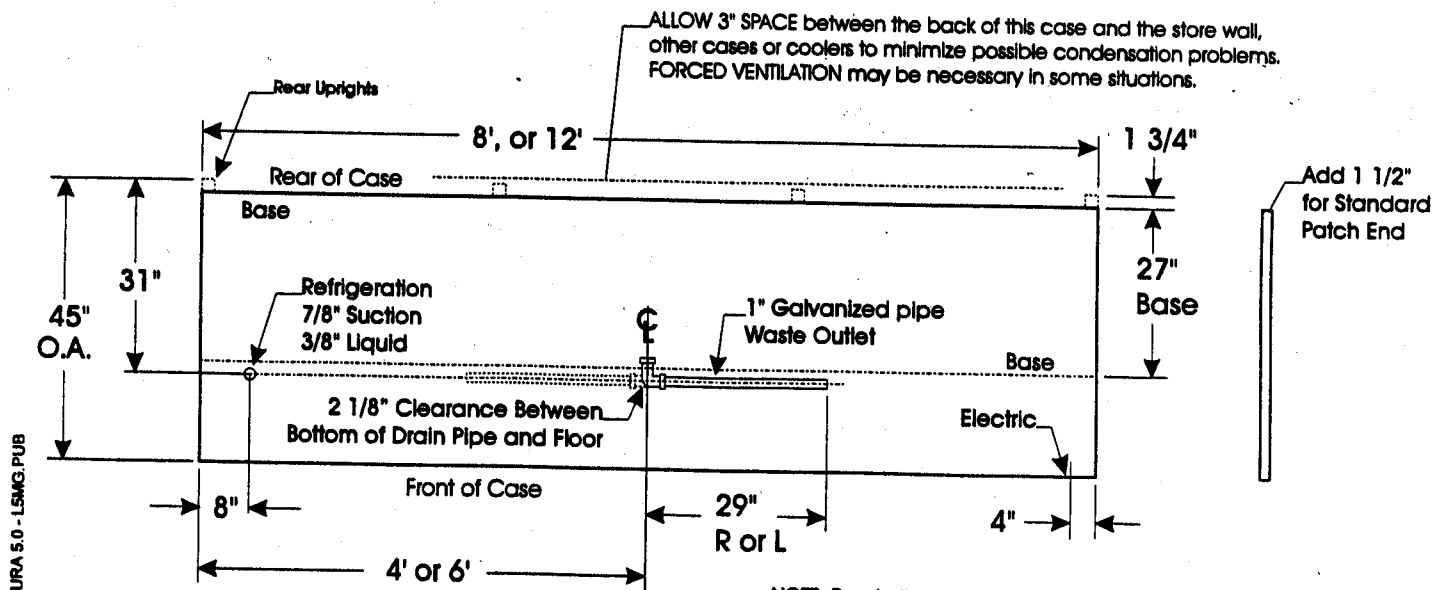


120 VOLT ELECTRICAL DATA (AMPS)			
FT	STD. FANS	ECM FANS	ANTI-SWT*
8	1.2	.6	.3
12	1.8	.9	.5

STANDARD 120 VOLT LIGHTING (AMPS) T-8/ ELECTRONIC BALLASTS (CANOPY)*	
FT	STANDARD LIGHTING 2 ROW
8	1.1
12	1.8

OPTIONAL 120VOLT LIGHTING (AMPS) T-8/ ELECTRONIC BALLASTS (SHELF)		
ROW	8'	12'
1	.9	1.3
2	1.4	2.1
3	1.9	2.9
4	2.2	3.3

* Discharge air anti-sweat heater and canopy lighting on same circuit.



ALLOW 3" SPACE between the back of this case and the store wall, other cases or coolers to minimize possible condensation problems. FORCED VENTILATION may be necessary in some situations.

NOTE: Due to the low base of this case, the normal refrigeration entry point cannot be used. The case must be drilled out (3" max) in the kickplate area as indicated by the Refrigeration Stub-Up dimensions shown.

Case VENTURA 5.0 - L5MG.PUB