

L6DA/ L6DRA MULTISHELF DAIRY/DELI CASE

MODEL	L6DL(R)A	L6DM(R)A	L6DHA
USAGE	DAIRY/DELI	DAIRY/DELI	DAIRY/DELI
CAPACITY (BTUH/FT)*	1492	1442	1392
EVAPORATOR ***	+23F	+23F	+23F
ENTER AIR°	+34F	+34F	+34F

NOTES:

* Capacity data listed is for cases with optional 2-rows of T-8 canopy lights and 4 rows of optional T-8 lighted 22" deep shelves. Adjustments must be made to this base rating for each option installed on the case. See CAPACITY ADJUSTMENTS below.

** Evaporator temperature is defined as the saturated suction temperature leaving the case.

NOTE: COMPRESSOR SIZING SHOULD ALLOW FOR SUCTION LINE PRESSURE DROP.

THE ABOVE RATINGS ARE FOR COMPRESSOR SELECTION ONLY. FOR ENERGY CALCULATION DATA REFER TO THE ENERGY SECTION. FOR COMPRESSOR SIZING INFORMATION REFER TO THE "GOLD" SECTION & FOR LINE SIZING INFORMATION REFER TO THE "BUFF" SECTION OF THE TYLER SPECIFICATION GUIDE.

CAPACITY ADJUSTMENTS:

ADD 10 BTUH/FT for 1 Row or 20 BTUH/FT for Opt. 2 Rows of 800MA Canopy Lights.

DEDUCT 80 BTUH/FT when **NOT** using Lighted Shelves. **NOTE:** No deduction in BTUHs is allowed when using unlighted 15" shelves (max. 2 rows in upper position).

ADD 20 BTUH/FT for Opt. 5th Row of Lighted Shelves.

ADD 10 BTUH/FT for 1 Row of T-8 Nose Lights. **ADD** 40 BTUH/FT for 1 Row of 800MA Nose Lights.

ADD 411 BTUH/FT for Peg Bars. **NOTE:** Baffles are required above each peg bar row to provide proper air flow around the food products.

ADD 74 BTUH/FT for Produce Rack Inserts.

DEFROST CONTROL				PRESSURE SETTINGS			EPR SETTINGS	
PER DAY	MODE	TIME	TERM.		CUT IN	CUT OUT	R22	R404A
4	ELECT	36 MIN.	50F	DAIRY/DELI	46 PSIG	36 PSIG	46	---
4	HOT GAS	15-20 MIN.	55F	DAIRY/DELI	59 PSIG	49 PSIG	---	59
4	TIME OFF	36 MIN.	---					

CASE-TO-CASE SUCTION LINE SUB-FEED BRANCH LINE SIZING													
	8'	12'	16'	20'	24'	28'	32'	36'	40'	44'	48'	52'	56'
R22 DAIRY/DELI	7/8"	7/8"	7/8"	1 1/8"	1 1/8"	1 1/8"	1 1/8"	1 3/8"	1 3/8"	1 3/8"	1 3/8"	1 3/8"	1 3/8"

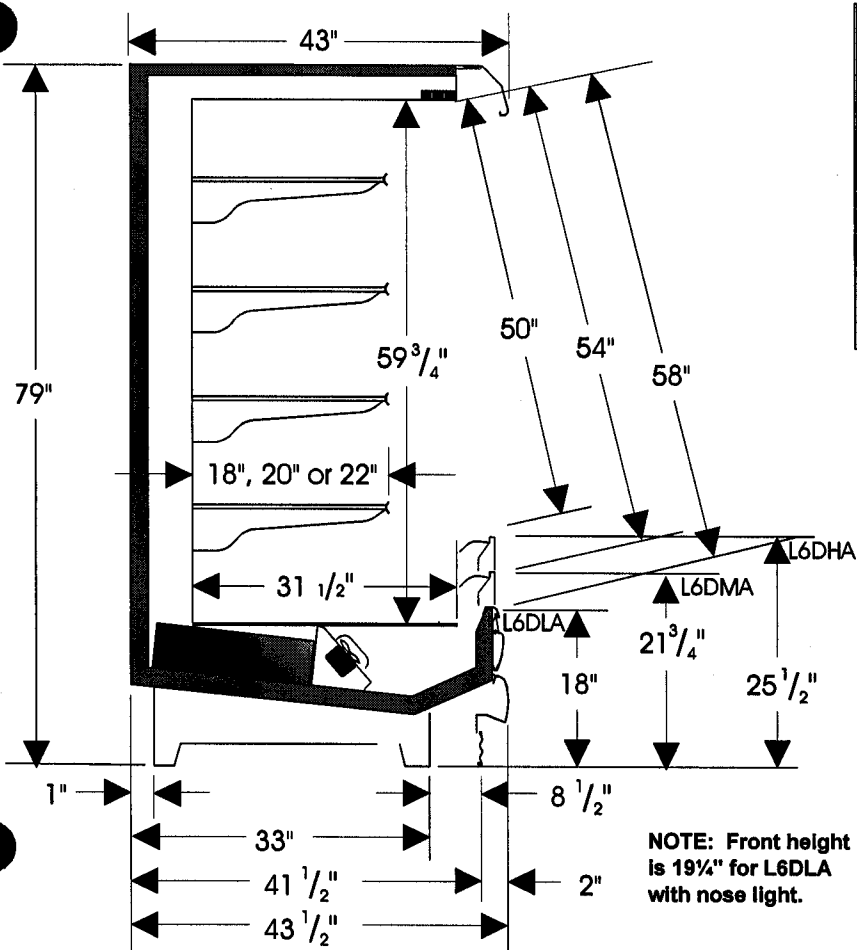
SHELVING NOTES: Shelving widths available for these cases are 15", 18", 20", and 22". When two sizes are used, the smaller must be used on top.

OPTIONAL ELECTRIC DEFROST 208-1-60 - 6' = 6.5 AMPS - 8' = 6.9 AMPS - 12' = 10.3 AMPS

CASE BTUH REQUIREMENTS are calculated to produce approximately the indicated entering air temperature with absolute maximum operating ambient limits of **75F & 55RH**.

The information contained herein is based on technical data and tests which we believe to be reliable and is intended for use by persons having technical skill, at their own discretion and risk. Since conditions of use are outside Tyler's control, we can assume no liability for results obtained or damages incurred through the applications of the data presented. SPECIFICATIONS ARE SUBJECT TO CHANGE WITHOUT NOTICE.

L6DA/ L6DRA MULTISHELF DAIRY/DELI CASE



STANDARD 120 VOLT LIGHTING (AMPS) HIGH OUTPUT 800MA (CANOPY)			
ROW	6'	8'	12'
1	1.3	1.3	2.1
OPTIONAL 120 VOLT LIGHTING (AMPS) HIGH OUTPUT 800MA (CANOPY)			
2	2.1	2.1	3.4
OPTIONAL 120 VOLT LIGHTING (AMPS) HIGH OUTPUT 800MA (2 CANOPY/ 1 NOSE)			
3	2.4	3.4	6.3

OPTIONAL 120 VOLT LIGHTING (AMPS) T-8/ ELECTRONIC BALLASTS (SHELVES)		
ROWS	6'/ 8'	12'
1	1.4	2.1
2	1.4	2.1
3	1.9	2.9
4	2.2	3.3
5	2.8	4.2
T-8/ ELECTRONIC BALLASTS (CANOPY)		
1	.6	.9
T-8/ ELECTRONIC BALLASTS (1-CANOPY/1-NOSE OR 2-CANOPY)		
2	1.1	1.8
T-8/ ELECTRONIC BALLASTS (2-CANOPY/1-NOSE)		
3	1.8	2.6
120 VOLT ELECTRICAL DATA (AMPS)		
LENGTH	STD. FANS	ECM FANS
6'	1.2	.6
8'	1.2	.6
12'	1.8	.9

