

LD SELF-SERVICE MULTI-SHELF DELI MERCHANDISERS

Refrigeration Data:

MODEL	CASE LENGTH	CASE USAGE	CAPACITY (BTUH / FT)		EVAPORATOR (°F)	UNIT SIZING (°F)	DISCHARGE AIR		AVG. REF. CHARGE (LBS/FT)
			PARALLEL	CONVENTIONAL			TEMPERATURE (°F)	VELOCITY (FPM)	
LD48	4'6"/8'/12'	Deli	913*	996*	18**	16	32	200***	0.53
LD54	4'6"/8'/12'	Deli	985*	1,075*	18**	16	33	185***	0.53
LD60	4'6"/8'/12'	Deli	1,381*	1,507*	18**	16	34	167***	0.53
LD72	4'6"/8'/12'	Deli	1,580*	1,724*	18**	16	35	150***	0.53

* Capacity data listed for cases with 1 row of T-8 Canopy Lights and optional lighted shelves.
 If case has unlighted shelves, **DEDUCT** 23 BTUH/FT per row of unlighted shelves on the case.
 ** Evaporator temperature is defined as the saturated suction temperature leaving the case.
 *** Air velocity measured 1 hour after defrost at the vertical part of the Rear Duct.

FOR SPECIFIC COMPRESSOR SIZING INFORMATION, REFER TO TYLER APPLICATIONS FOR RACK SYSTEM COMPRESSORS AND/OR THE COMPRESSOR MANUFACTURERS FOR SINGLE COMPRESSORS. FOR LINE SIZING INFORMATION, REFER TO THE MISCELLANEOUS SECTION "BUFF" IN THE TYLER SPECIFICATION GUIDE.

Electrical Data:

Fans & Heaters (120 Volt)

MODEL	CASE LENGTH	FANS / CASE	TOTAL STANDARD FANS		TOTAL ECM FANS		TOTAL ANTI-SWEATS	
			AMPS	WATTS	AMPS	WATTS	AMPS	WATTS
LD48/54/60/72	4'	1	0.53	48.0	0.32	17.0	0.07	7.3
LD48/54/60/72	6'	2	1.06	96.0	0.64	34.0	0.10	11.4
LD48/54/60/72	8'	2	1.06	96.0	0.64	34.0	0.13	15.6
LD48/54/60/72	12'	3	1.59	144.0	0.96	51.0	0.21	24.6

T8 Lighting with Electronic Ballasts (120 Volt)

MODEL	CASE LENGTH	CANOPY LIGHTS 1-ROW		SHELF LIGHTS - PER ROW										MAXIMUM LIGHTING	
		AMPS	WATTS	AMPS - (ROWS OF SHELVES)					WATTS - (ROWS OF SHELVES)					AMPS	WATTS
				1	2	3	4	5	1	2	3	4	5		
LD48/54	4'	.35	42	.35	.70	1.05	N/A	N/A	42	84	126	N/A	N/A	1.40*	168*
LD48/54	6'	.40	48	.60	1.20	1.80	N/A	N/A	72	144	216	N/A	N/A	2.20*	264*
LD48/54	8'	.50	60	.70	1.40	2.10	N/A	N/A	84	168	252	N/A	N/A	2.60*	312*
LD48/54	12'	.70	84	1.05	2.10	3.15	N/A	N/A	126	252	378	N/A	N/A	3.85*	462*
LD60	4'	.35	42	.35	.70	1.05	1.40	N/A	42	84	126	168	N/A	1.75**	210**
LD60	6'	.40	48	.60	1.20	1.80	2.40	N/A	72	144	216	288	N/A	2.80**	336**
LD60	8'	.50	60	.70	1.40	2.10	2.80	N/A	84	168	252	336	N/A	3.30**	396**
LD60	12'	.70	84	1.05	2.10	3.15	4.20	N/A	126	252	378	504	N/A	4.90**	588**
LD72	4'	.35	42	.35	.70	1.05	1.40	1.75	42	84	126	168	210	2.10***	252***
LD72	6'	.40	48	.60	1.20	1.80	2.40	3.00	72	144	216	288	360	3.40***	408***
LD72	8'	.50	60	.70	1.40	2.10	2.80	3.50	84	168	252	336	420	4.00***	480***
LD72	12'	.70	84	1.05	2.10	3.15	4.20	5.25	126	252	378	504	630	5.95***	714***

* For cases with 1 row of canopy lights and 3 rows of shelf lights.
 ** For cases with 1 row of canopy lights and 4 rows of shelf lights.
 *** For cases with 1 row of canopy lights and 5 rows of shelf lights

Defrost Data:

DEFROST TYPE	DEFROSTS PER DAY	DURATION TIME (MIN)	TERMINATION TEMP. (°F)	EPR SETTINGS *		DEFROST WATER (LB / FT / DAY)
				R22 (PSIG)	R404A (PSIG)	
TIME OFF	6	20	N/A	41	53	6.75 lb

* Set EPR to give this pressure at the case.

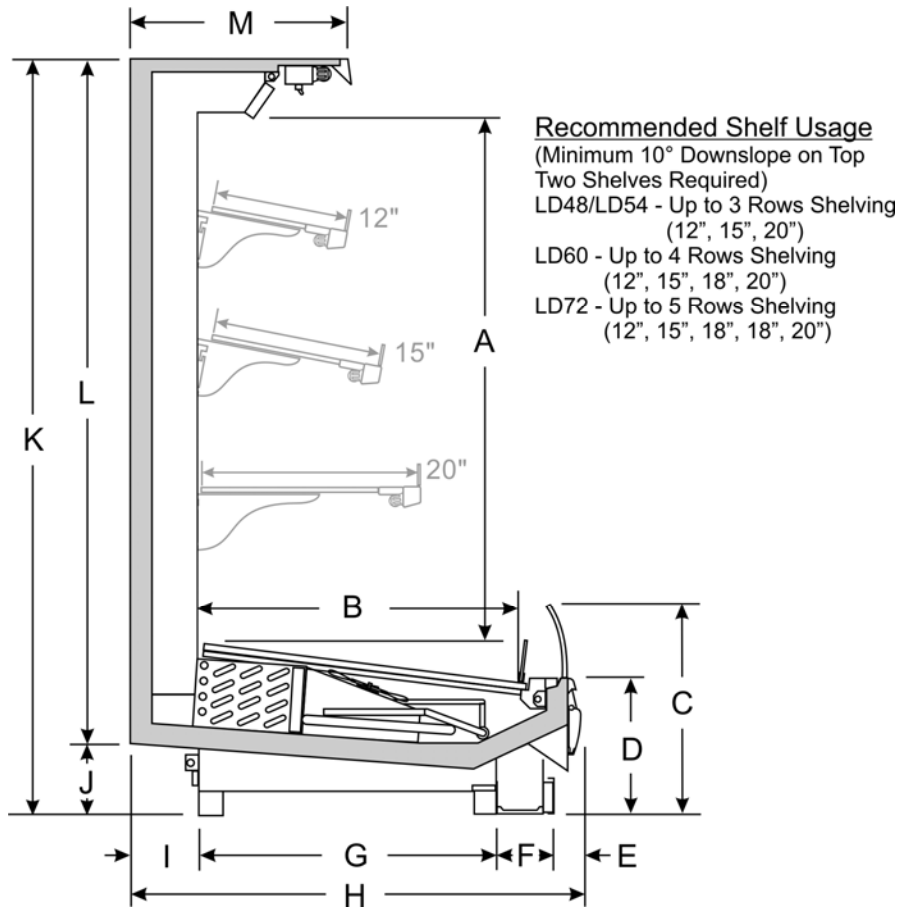
CASE-TO-CASE SUCTION LINE SUB-FEED BRANCH LINE SIZING													
MODEL	6'	8'	12'	16'	20'	24'	28'	32'	36'	40'	44'	48'	52'
LD48/54/60/72	1/2"	5/8"	5/8"	7/8"	7/8"	7/8"	7/8"	7/8"	1 1/8"	1 1/8"	1 1/8"	1 1/8"	1 1/8"

UL SANITATION approved in accordance with ANSI/NSF – 7.

CASE BTUH REQUIREMENTS are calculated to produce approximately the indicated performance with absolute maximum operating ambient limits of **75°F & 55RH**.

The information contained herein is based on technical analysis and/or tests performed in a controlled lab environment that are consistent with industry practices, and is intended as a reference for system sizing and configuration purposes only and for use by persons having technical skill at their own discretion and risk. Conditions of use are outside of Tyler's control and we do not assume and hereby disclaim any liability for results obtained or damages incurred through application of or reliance on the data presented, including but not limited to specific energy consumption with any particular model or installed application. SPECIFICATIONS ARE SUBJECT TO CHANGE WITHOUT NOTICE.

LD CROSS SECTION



CROSS-SECTION DIMENSIONS													
MODEL	A	B	C	D	E	F	G	H	I	J	K	L	M
LD48	27-1/8"	31-5/8"	20"	13"	2-1/2"	5-1/2"	28-1/2"	43"	6-1/2"	6-3/4"	48"	41-1/4"	20-3/4"
LD54	33-1/8"	31-5/8"	20"	13"	2-1/2"	5-1/2"	28-1/2"	43"	6-1/2"	6-3/4"	54"	47-1/4"	20-3/4"
LD60	39-1/8"	31-5/8"	20"	13"	2-1/2"	5-1/2"	28-1/2"	43"	6-1/2"	6-3/4"	60"	53-1/4"	20-3/4"
LD72	51-1/8"	31-5/8"	20"	13"	2-1/2"	5-1/2"	28-1/2"	43"	6-1/2"	6-3/4"	72"	59-1/4"	20-3/4"

FLOOR PLAN

