

## SPECIFICATION SHEET

### • LF5 GLASS FRONT FROZEN FOOD / ICE CREAM SPOT MERCHANDISER (REMOTE) •

#### Refrigeration Data:

MODEL	CASE LENGTH	CASE USAGE	CAPACITY (BTUH / FT)	EVAPORATOR (°F)	UNIT SIZING (°F)	DISCHARGE AIR		AVG. REF. CHARGE (LBS/FT)
						TEMPERATURE (°F)	VELOCITY (FPM)	
LF5	5'	FROZEN FOOD	2,355*	-20**	-23	-20	219***	0.22****
LF5	5'	ICE CREAM	2,765*	-28**	-31	-28	219***	0.22****

\* For sizing all refrigeration equipment other than TYLER, use conventional BTUH values.

\*\* Evaporator temperature is based on the saturated pressure leaving the case.

\*\*\* Air velocity measured 1 hour after defrost at the discharge air duct using an ALNOR JR. velometer with a scoop.

\*\*\*\* This is an average refrigeration charge per foot based on R404A refrigerant usage.

FOR SPECIFIC COMPRESSOR SIZING INFORMATION, REFER TO TYLER APPLICATIONS FOR RACK SYSTEM COMPRESSORS AND/OR THE COMPRESSOR MANUFACTURERS FOR SINGLE COMPRESSORS. FOR LINE SIZING INFORMATION, REFER TO THE MISCELLANEOUS SECTION "BUFF" IN THE TYLER SPECIFICATION GUIDE.

#### Electrical Data:

Fans and Heaters (120 and 208 Volt)

MODEL	CASE LENGTH	FANS / CASE	TOTAL STANDARD FANS		TOTAL ECM FANS		TOTAL ANTI-SWEATS (120V)		208 VOLT DEFROST HEATER	
			AMPS	WATTS	AMPS	WATTS	DISCHARGE AIR AMPS	WATTS	AMPS	WATTS
LF5	5'	1	0.34	30.2	N/A	N/A	0.90	108.0	4.50	936.0

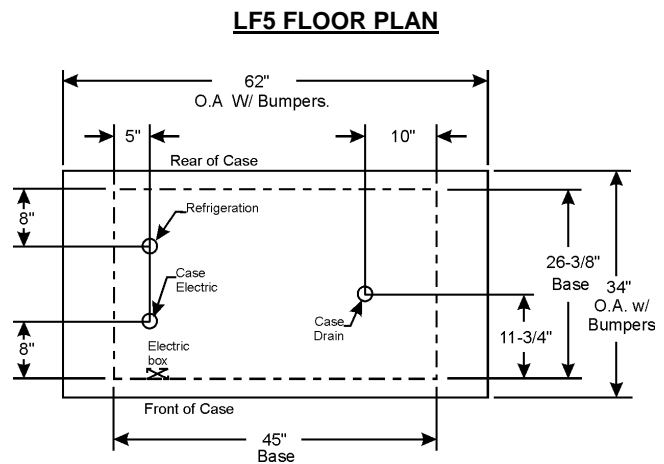
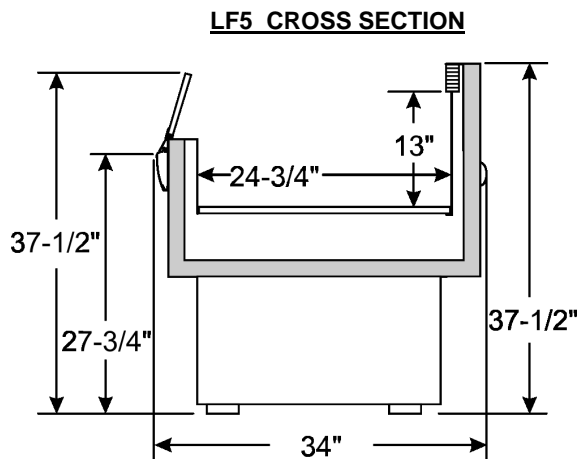
#### Defrost Data:

DEFROST TYPE*	DEFROSTS PER DAY	DURATION TIME (MIN)	TERMINATION (°F)	BACKUP PRESSURE SETTINGS **		EPR SETTINGS ***		DEFROST WATER (LB / FT / DAY)
				CUT IN	CUT OUT	R22 (PSIG)	R404A (PSIG)	
ELECTRIC / FF	2	36	50	15# @ R404A	5# @ R404A	10.1	17.1	N/A
ELECTRIC / IC	2	36	50	10# @ R404A	1# @ R404A	5.9	12.0	N/A
HOT GAS / FF	2	15	55*	15# @ R404A	5# @ R404A	10.1	17.1	N/A
HOT GAS / IC	2	15	55*	10# @ R404A	1# @ R404A	5.9	12.0	N/A

\* If an Electronic Sensor is used for termination, it should be set at 70°F termination temperature. The sensor must be located in the same location as the defrost termination klixon for that defrost type.

\*\* Used with Thermostat or EPR Control.

\*\*\* Set EPR to give this pressure at the case.



**CASE BTUH REQUIREMENTS** are calculated to produce approximately the indicated entering-air temperature with absolute maximum operating ambient limits of **75°F & 55RH**.

The information contained herein is based on technical data and tests that we believe are reliable, and is intended for use by persons having technical skill at their own discretion and risk. Since conditions of use are outside of Tyler's control, we cannot assume any liability for results obtained or damages incurred through the applications of the data presented. SPECIFICATIONS ARE SUBJECT TO CHANGE WITHOUT NOTICE.