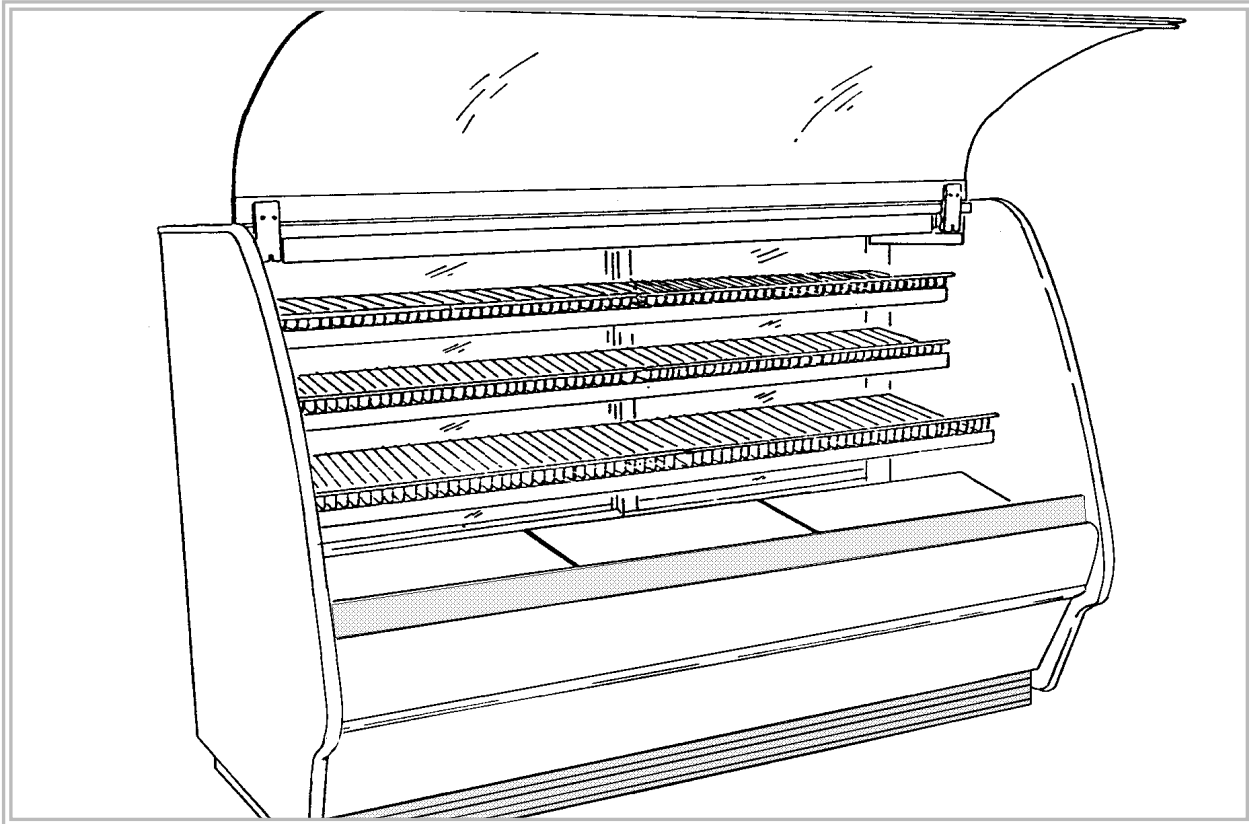


# Replacement Parts <sup>series</sup> Advantage



## Lift Front Curved Glass Bakery Service Merchandiser

Production began October 1, 1996

LLBR • LLBS • LLBN

9000202	LLBS59	Med-Temp	59" Self-Contained Bakery Service Merchandiser
9000203	LLBS77	Med-Temp	77" Self-Contained Bakery Service Merchandiser
9000204	LLBN59	----	59" Non-Refrigerated Bakery Service Merchandiser
9000205	LLBN77	----	77" Non-Refrigerated Bakery Service Merchandiser
9000206	LLBR59	Med-Temp	59" Remote Bakery Service Merchandiser
9000207	LLBR77	Med-Temp	77" Remote Bakery Service Merchandiser



Issue date: JANUARY 2000

Replaces issue: MAY 1998

Part number: 9030979

Revision: A

Tyler Refrigeration Corporation Niles, MI 49120  
Parts information subject to change without notice  
Printed in U.S.A.

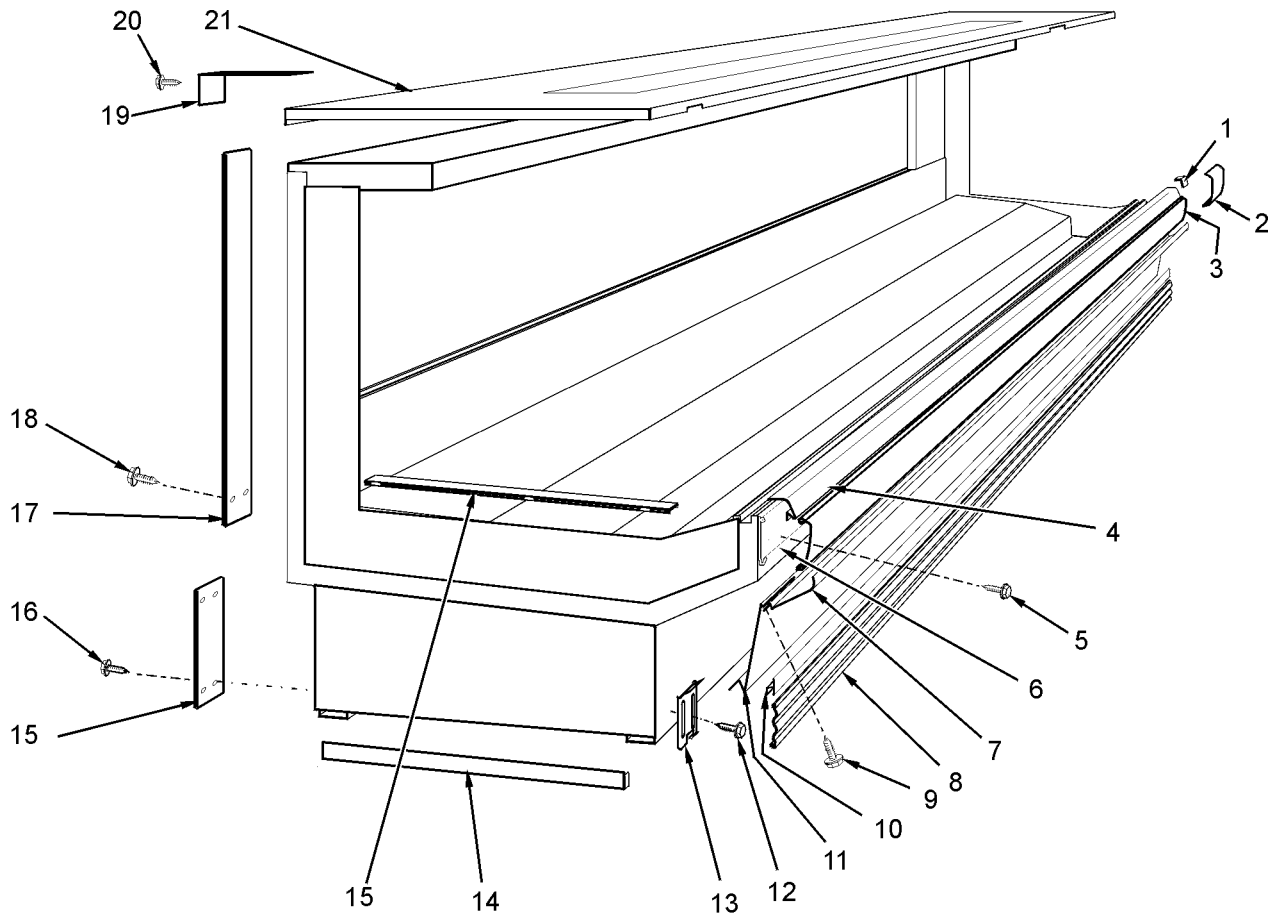


## CONTENTS

	<u>Page</u>
Cladding, Covers and Trims .....	C1-C3
<b>Structural Components</b>	
Curved Lift Front Glass .....	S1
Rear Doors .....	S2
Mullion Covers and End Liners .....	S3
Ducts and Z-Bars .....	S4
Patch Ends, Partitions and Dividers	
Solid Patch Ends .....	S5
Solid Patch Ends with Glass .....	S6
1" Solid Partitions .....	S7
<b>Electrical System Components</b>	
Wiring Harnesses	
Wiring and Components .....	E1
Fan Systems .....	E2, E3
Condensing Unit Assembly - NLBS .....	E4
Top Lights .....	E5
<b>Refrigeration System Components</b>	
Coil Assemblies - NLBR & NLBS .....	R1
<b>Optional Case Accessories</b>	
Shelf Assemblies .....	A1, A2
Bottom Trays and Thermometers .....	A3



CLADDING, COVERS AND TRIMS  
LLBR/LLBS/LLBN



59" and 77" Merchandiser

Item	Part No.	Quantity		Description	Item	Part No.	Quantity		Description
		59"	77"				59"	77"	
1	9026432	1	1	Color Band Backer, PTD.	12	5183536	4	6	Screw
	+	1	-	Opt. Vinyl Color Band Backer	13	9041329	2	3	Kickplate Support
2	+	1	1	Bumper Backer	14	9022460	1	1	LH End Close-off
3	+	1	1	Bumper		9022467	1	1	RH End Close-off
4	9026400	1	-	Color Band		5100217	3	3	Screw
	9026401	-	1	Color Band	15	5237505	1	1	Horizontal Joint Trim
	+	1	-	Opt. Vinyl Color Band	16	5233638	1	1	Rear Base Joint Trim
5	9025833	9	11	Screw	17	5619204	4	4	Screw
6	9025048	1	-	Bumper Retainer	18	5235948	1	1	Upper Rear Joint Trim
	9025055	-	1	Bumper Retainer	19	5619204	4	4	Screw
7	9026377	1	-	Upper Front Cladding, PTD.	20	5235953	1	1	Top Joint Trim
	9026378	-	1	Upper Front Cladding, PTD.	21	5612692	2	2	Screw
8	+	1	1	Kickplate	22	5987197	1	-	Top Cladding
	9041790	1	1	Kickplate Backer		5987198	-	1	Top Cladding
9	5183536	20	20	Screw		5234499	4"	4"	Rubber Seal
10	+	1	1	Kickplate Extension [Optional]		9026315	8	8	Top Cladding Z-Bar
11	9026379	1	-	Lower Front Cladding, PTD.		5104702	16	16	Rivet
	9026380	-	1	Lower Front Cladding, PTD.					

+ See pages C2 and C3 for parts breakdown per color.



# CLADDING, COVERS AND TRIMS - (CONT'D)

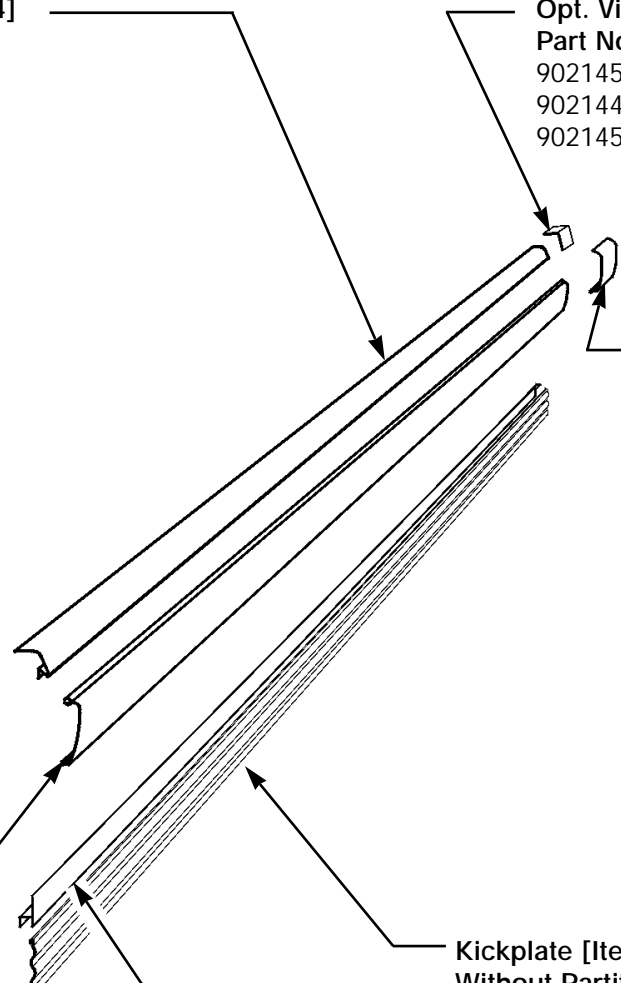
## LLBR/LLBS/LLBN - 59"

Opt. Vinyl Color Band [Item 4]  
(cut to fit from 6' length):

Part No.	Color
9020284	Quaker Oak
9020348	Teakwood
9020900	Comp. Oak

Opt. Vinyl Color Band Backer [Item 1]

Part No.	Color
9021450	Quaker Oak
9021449	Teakwood
9021451	Comp. Oak



Bumper Backer [Item 2]

Part No.	Color
9025023	White
9025028	Bone White
9025035	Misty Gray
9025038	Pearl
9025041	Oatmeal
9025079	Pearly Gates
9025253	Soft Sand
9025258	Chromium
9025265	Cool Gray
9025268	Oyster
9025271	Black
9028883	Steel Gray
9031884	Chocolate
9031885	Mocha
9031886	Stone

Bumper [Item 3]  
Without Partition  
(59.062"):

Part No.	Color
9025027	White
9025257	Bone White
9025278	Misty Gray
9025299	Pearl
9025320	Oatmeal
9025341	Soft Sand
9025362	Chromium
9025383	Cool Gray
9025404	Oyster
9025425	Black
9028893	Steel Gray
9029325	Pearly Gates
9031974	Chocolate
9031711	Mocha
9031748	Stone

With Partition  
(60.062"):

Part No.
9027139
9027140
9027141
9027142
9027143
9027144
9027145
9027146
9027147
9027148
9028894
9029326
9031675
9031712
9031749

Kickplate [Item 8]  
Without Partition  
(59.063"):

Part No.	Color
9041615	Cool Gray
9041616	Black
9041617	Pearl
9041619	Steel Gray

With Partition  
(60.063"):

Part No.
9041620
9041621
9041622
9041624

Optional Kickplate Extension [Item 10]  
Without Partition  
(59.063"):

Part No.	Color
9042808	Cool Gray
9042809	Black
9042810	Pearl
9042811	Steel Gray

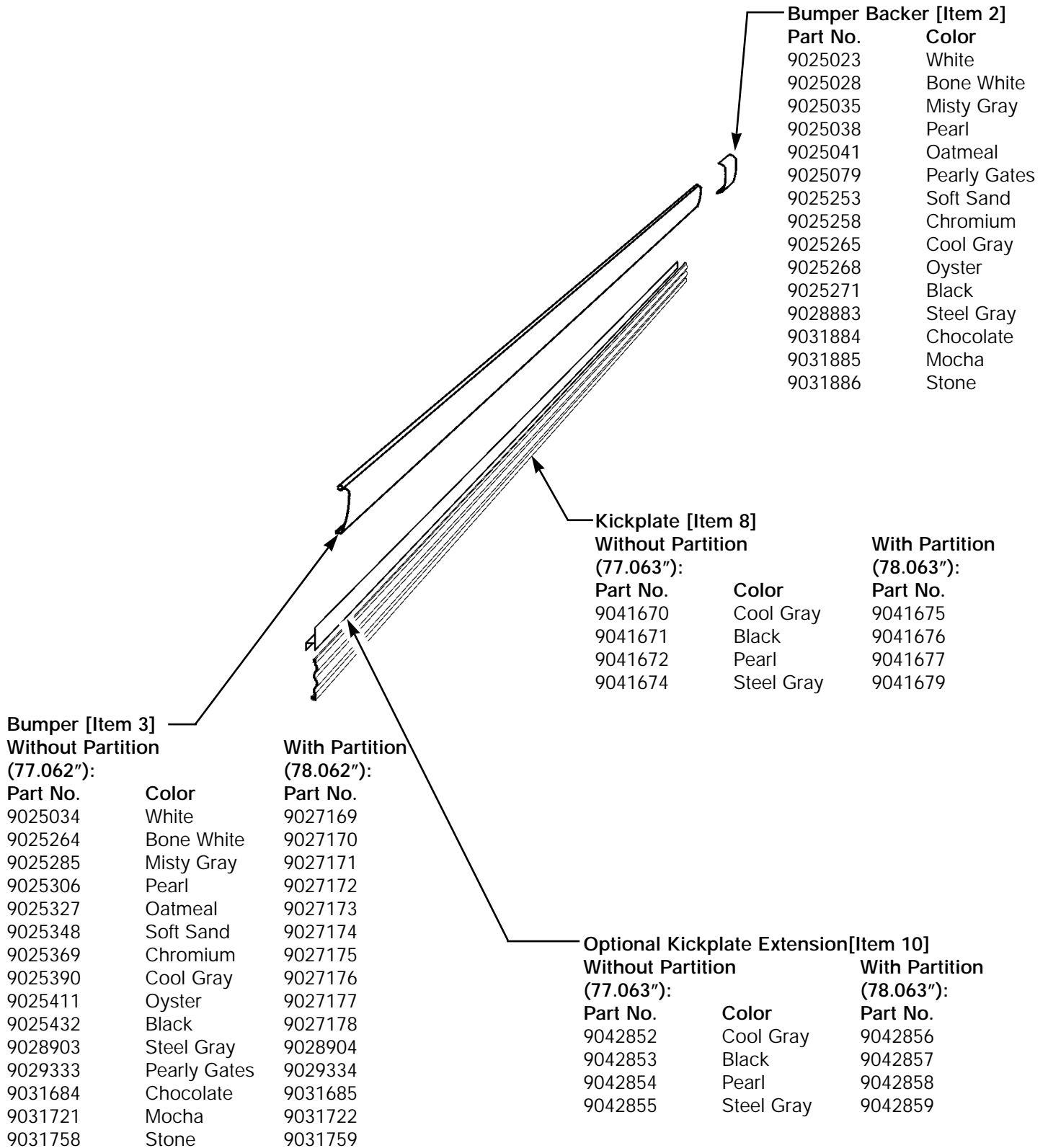
With Partition  
(60.063"):

Part No.
9042812
9042813
9042814
9042815



# CLADDING, COVERS AND TRIMS - (CONT'D)

LLBR/LLBS/LLBN - 77"



**Bumper Backer [Item 2]**

Part No.	Color
9025023	White
9025028	Bone White
9025035	Misty Gray
9025038	Pearl
9025041	Oatmeal
9025079	Pearly Gates
9025253	Soft Sand
9025258	Chromium
9025265	Cool Gray
9025268	Oyster
9025271	Black
9028883	Steel Gray
9031884	Chocolate
9031885	Mocha
9031886	Stone

**Kickplate [Item 8]**

Without Partition (77.063"):		With Partition (78.063"):
Part No.	Color	Part No.
9041670	Cool Gray	9041675
9041671	Black	9041676
9041672	Pearl	9041677
9041674	Steel Gray	9041679

**Bumper [Item 3]**

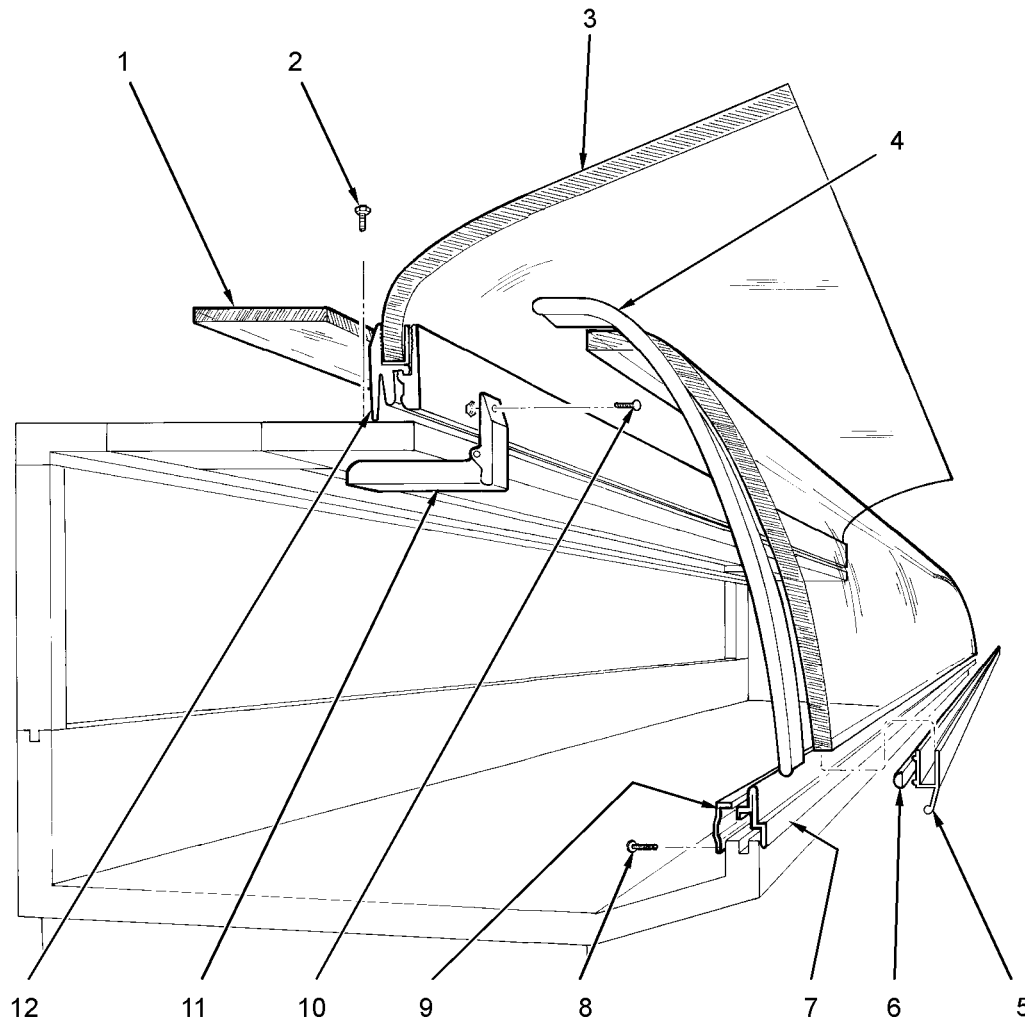
Without Partition (77.062"):		With Partition (78.062"):
Part No.	Color	Part No.
9025034	White	9027169
9025264	Bone White	9027170
9025285	Misty Gray	9027171
9025306	Pearl	9027172
9025327	Oatmeal	9027173
9025348	Soft Sand	9027174
9025369	Chromium	9027175
9025390	Cool Gray	9027176
9025411	Oyster	9027177
9025432	Black	9027178
9028903	Steel Gray	9028904
9029333	Pearly Gates	9029334
9031684	Chocolate	9031685
9031721	Mocha	9031722
9031758	Stone	9031759

**Optional Kickplate Extension [Item 10]**

Without Partition (77.063"):		With Partition (78.063"):
Part No.	Color	Part No.
9042852	Cool Gray	9042856
9042853	Black	9042857
9042854	Pearl	9042858
9042855	Steel Gray	9042859



STRUCTURAL COMPONENTS  
CURVED LIFT FRONT GLASS - LLBR/LLBS/LLBN

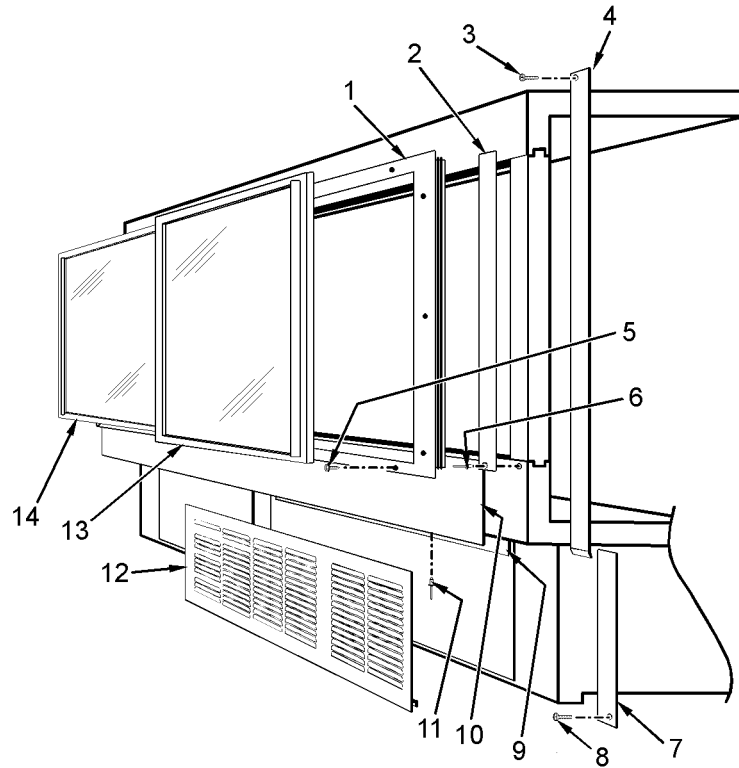


59" and 77" Merchandiser

Item	Part No.	Quantity		Description	Item	Part No.	Quantity		Description
		59"	77"				59"	77"	
1	5965050	1	-	Top Glass	7	5235715	1	-	Glass Support
	5964922	-	1	Top Glass		5235716	-	1	Glass Support
2	5246716	8	8	Flange Lock Screw	8	5199134	3	3	Screw
3	5235085	1	-	Curved Glass	9	5235129	1	-	Heater Wire Cover
	5235086	-	1	Curved Glass		5235130	-	1	Heater Wire Cover
4	5233434	68'	68'	Seal Trim	10	5234898	4	4	Rivnut
5	9026416	1	-	Glass Lift-up Handle	11	5235825	2	2	Hinge & Bracket Assy.
	9026417	-	1	Glass Lift-up Handle	12	9026418	1	-	Glass Frame Clamp
6	5235819	1	-	Handle Gasket		9026419	-	1	Glass Frame Clamp
	5235820	-	1	Handle Gasket					



STRUCTURAL COMPONENTS - (CONT'D)  
 REAR DOORS - LLBR/LLBS/LLBN

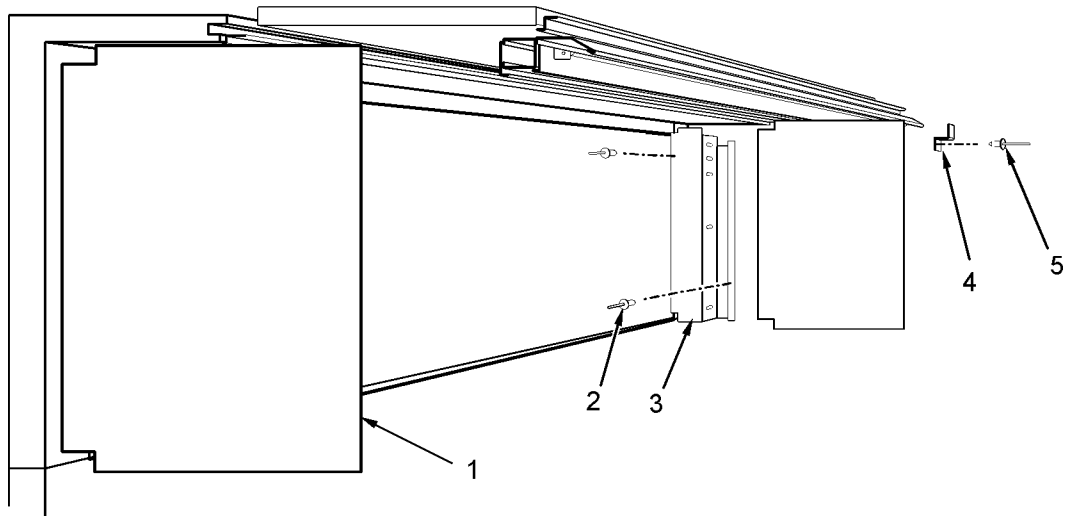


59" and 77" Merchandiser

Item	Part No.	Quantity		Description	Item	Part No.	Quantity		Description
		59"	77"				59"	77"	
1	5235898	1	-	Door Frame	5183536	2	4	Screw	
	5235899	-	1	Door Frame	5235894	1	-	Lower Rear Shell Cover	
2	5235826	1	1	RH End Mullion Cover	5235895	-	1	Lower Rear Shell Cover	
	5235827	1	1	LH End Mullion Cover	11	5104702	4	4	Rivet
3	5619204	4	4	Screw	12	5993291	1	-	Rear Close-off - LLBS
4	5235948	1	1	Upper Rear Joint Trim		5993292	-	1	Rear Close-off - LLBS
5	5237681	14	14	Screw	13	5235900	1	-	Outside Door - LLBR/LLBS
6	5104702	4	4	Rivet		5236810	1	-	Outside Door - LLBN
7	5233638	1	1	Base Rear Joint Trim		5235901	-	1	Outside Door - LLBR/LLBS
8	5619204	4	4	Screw		5236811	-	1	Outside Door - LLBN
9	<b>5236008</b>	1	-	<b>Rear Close-off Retainer</b>	14	5235902	1	-	Inside Door - LLBR/LLBS
				<b>Assy. - LLBS</b>		5236808	1	-	Inside Door - LLBN
	<b>5236009</b>	-	1	<b>Rear Close-off Retainer</b>		5235903	-	1	Inside Door - LLBR/LLBS
				<b>Assy. - LLBS</b>		5236809	-	1	Inside Door - LLBN



STRUCTURAL COMPONENTS - (CONT'D)  
 MULLION COVERS AND END LINERS - LLBR/LLBS/LLBN



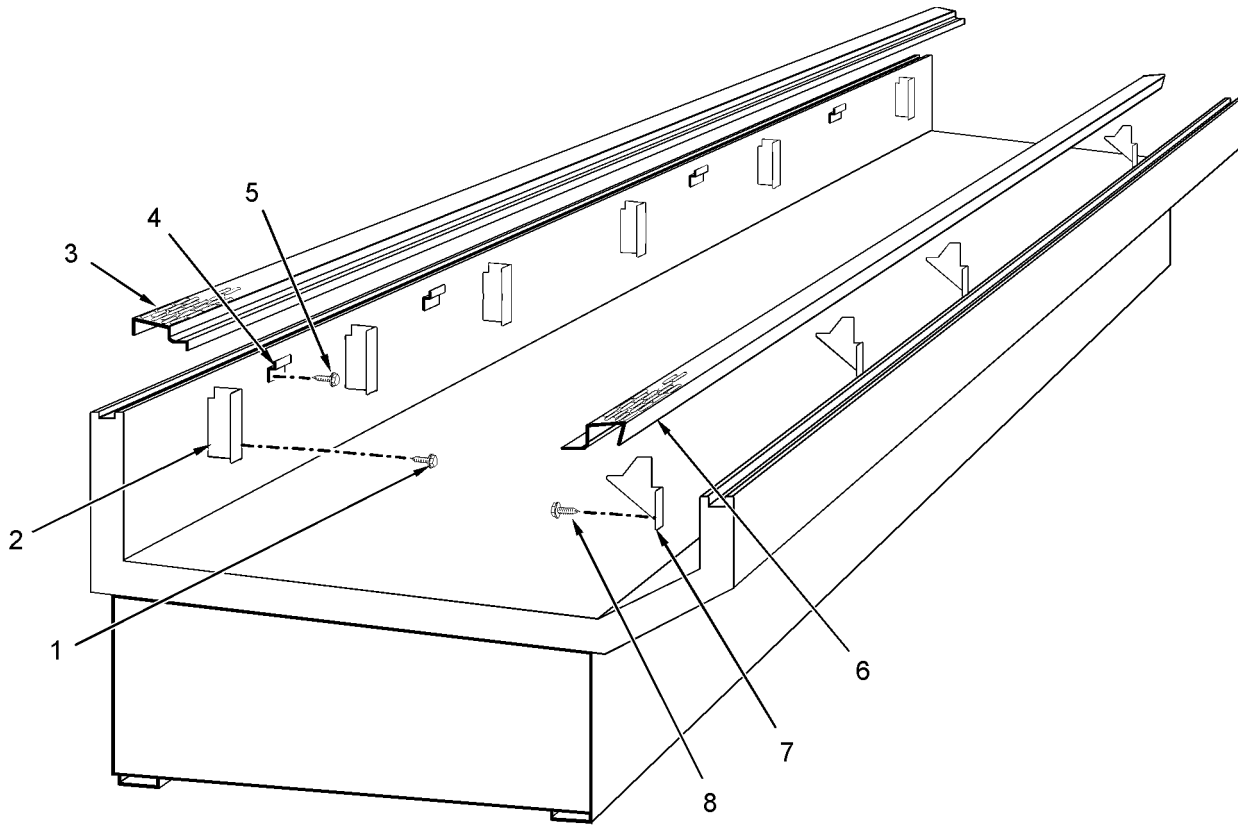
59" and 77" Merchandiser

Item	Part No.	Quantity		Description
		59"	77"	
1	5235743	1	1	RH End Liner Assy.
	5235744	1	1	LH End Liner Assy.
	5235846	1	1	RH End Liner Cover
	5235847	1	1	LH End Liner Cover
2	5104702	3	3	Rivet
3	5235858	1	1	RH Mullion Cover Assy.
	5235864	1	1	LH Mullion Cover Assy.
4	5236130	1	1	RH Top Front Close-off
	5236131	1	1	LH Top Front Close-off
5	5104702	2	2	Rivet





STRUCTURAL COMPONENTS - (CONT'D)  
 DUCTS AND Z-BARS - LLBR/LLBS/LLBN



59" and 77" Merchandiser

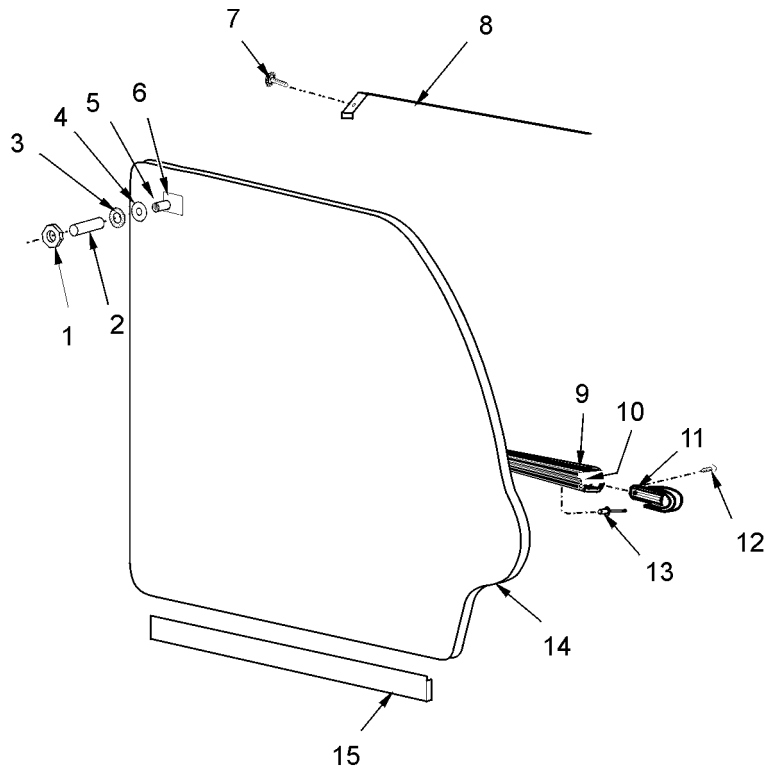
Item	Part No.	Quantity		Description
		59"	77"	
1	5183536	12	12	Screw
2	5235963	6	6	Rear Z-Bar - LLBN only
3	5237148	1	-	Rear Duct
	5237149	-	1	Rear Duct
4	5198958	3	4	Clip
5	5183536	6	8	Screw
6	5965077	1	-	Front Duct
	5235871	-	1	Front Duct
7	5235841	4	4	Front Z-Bar
	5615115	12"	12"	Sealant Tape
8	5183536	8	8	Screw



# STRUCTURAL COMPONENTS - (CONT'D)

## PATCH ENDS, PARTITIONS AND DIVIDERS

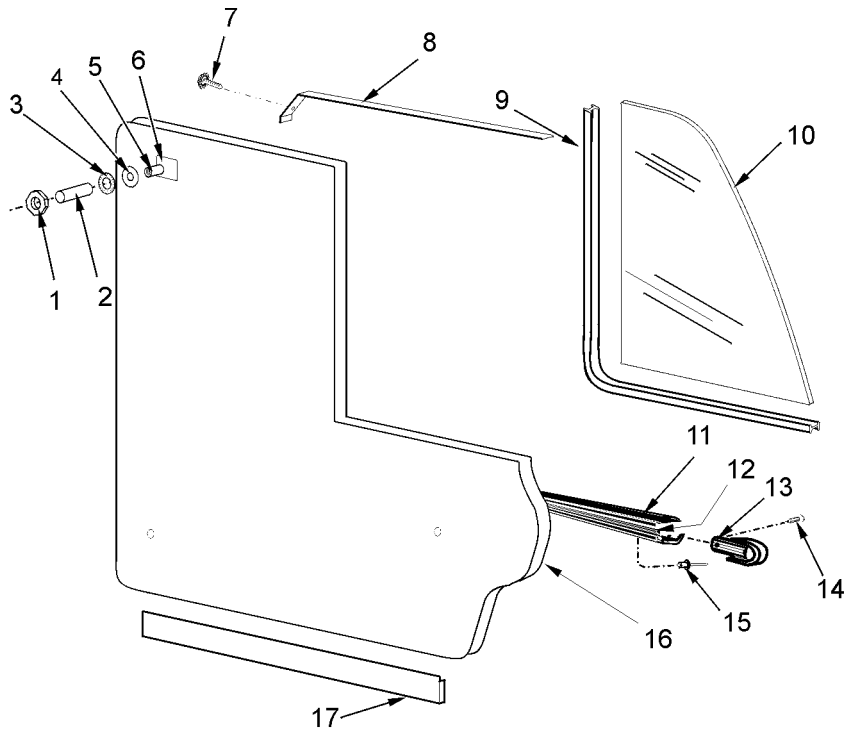
### Solid Patch Ends - Painted Panel & BRT/SS Liner - LLBR/LLBS/LLBN



Item	Part No.	Qty.	Description	Item	Part No.	Qty.	Description
*	9022273	1	RH Solid End Assy 51.75"	10	9027882	1	35" End Bumper Retainer
*	9022274	1	LH Solid End Assy. 51.75"		9023453	1	41" End Bumper Retainer
*	9022275	1	RH Solid End Assy. 48.00"	11	9026528	4	End Bmpr. Cap, Pearly Gates
*	9022276	1	LH Solid End Assy. 48.00"		9027742	4	End Bmpr. Cap, Pearl
*	9022277	1	RH Solid End Assy. 54.75"		9027743	4	End Bmpr. Cap, Cool Gray
*	9022278	1	LH Solid End Assy. 54.75"		9027744	4	End Bmpr. Cap, Black
1	5100625	3	Nut, 5/16"-18		9310881	4	End Bmpr. Cap, Steel Gray
2	9022759	3	Stud, 5/16"-18 x 3"	12	5183536	4	Screw
3	5101003	3	Lockwasher	13	5104702	21	Rivet
4	5100976	3	Washer	14	9024647	1	RH End Bench Assy. 51.75"
5	9022756	3	Threaded Insert		9024648	1	LH End Bench Assy. 51.75
6	9022760	3	Tapping Plate		9024649	1	RH End Bench Assy. 48.00
7	5612692	6	Screw		9024650	1	LH End Bench Assy. 48.00"
8	5235953	1	Top End Trim, BRT/SS		9024651	1	RH End Bench Assy. 54.75"
	5235954	1	Top End Trim, MB/SS		9024652	1	LH End Bench Assy. 54.75"
9	9027973	1	33" End Bumper, Cool Gray	15	9022467	1	RH End Base Close-off, PTD.
	9027974	1	33" End Bumper, Black		9022460	1	LH End Base Close-off, PTD.
	9027975	1	33" End Bumper, Pearl				
	9029311	1	33" End Bumper, Pearly Gates				
	9040180	1	33" End Bumper, Steel Gray				
	9023459	1	39" End Bumper, Pearly Gates				
	9023460	1	39" End Bumper, Cool Gray				
	9023461	1	39" End Bumper, Black				
	9023462	1	39" End Bumper, Pearl				
	9310876	1	39" End Bumper, Steel Gray				



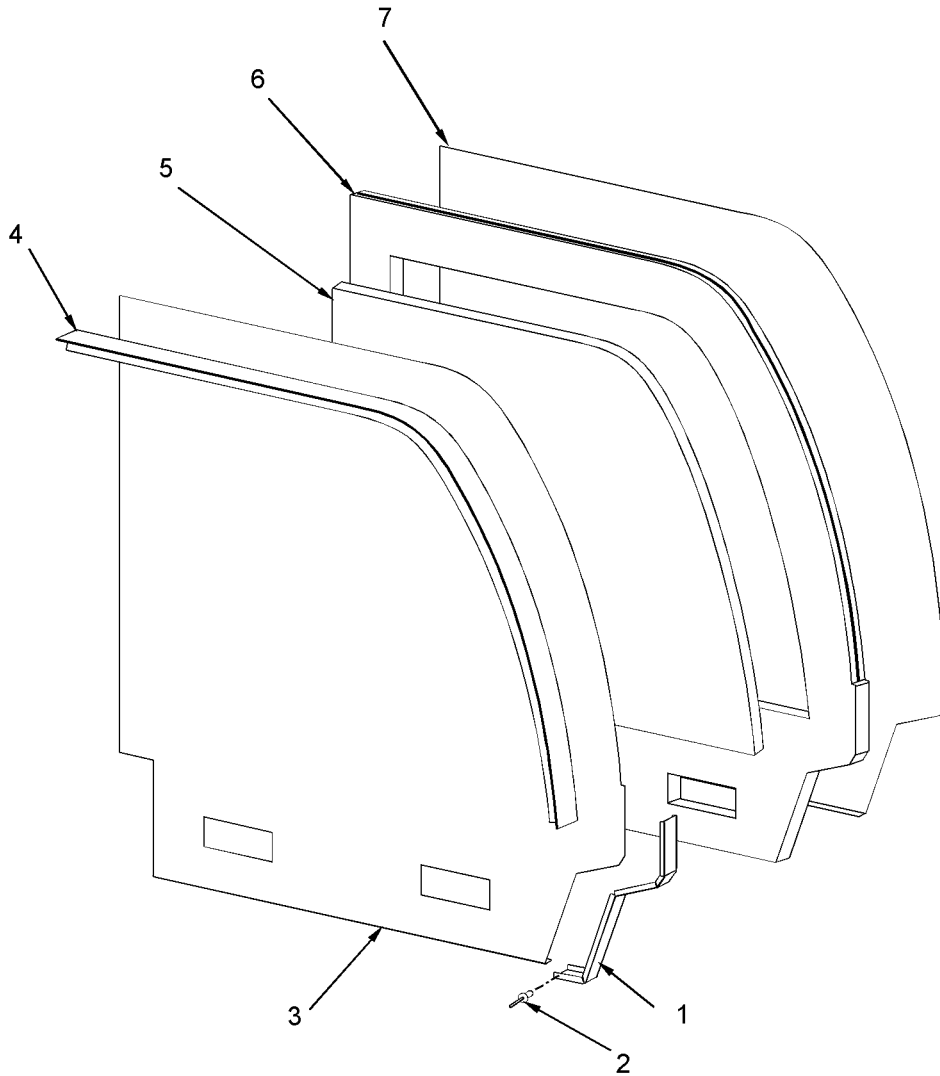
**STRUCTURAL COMPONENTS - (CONT'D)**  
**PATCH ENDS, PARTITIONS AND DIVIDERS**  
**Solid Patch Ends with Glass - Painted Panel & BRT/SS Liner**  
**-LBR/LLBS/LLBN**



Item	Part No.	Qty.	Description	Item	Part No.	Qty.	Description
*	9036220	1	RH Solid End Assy. w/Glass - 51" & 54.75"	9029311	1	33" End Bumper, Pearly Gates	
*	9036221	1	LH Solid End Assy. w/Glass - 51" & 54.75"	9040180	1	33" End Bumper, Steel Gray	
*	9036222	1	RH Solid End Assy. w/Glass - 48"	9023459	1	39" End Bumper, Pearly Gates	
*	9032223	1	LH Solid End Assy. w/Glass - 48"	9023460	1	39" End Bumper, Cool Gray	
1	5100625	3	Nut, 5/16"-18	9023461	1	39" End Bumper, Black	
2	9022759	3	Stud, 5/16"-18 x 3"	9023462	1	39" End Bumper, Pearl	
3	5101003	3	Lockwasher	9310876	1	39" End Bumper, Steel Gray	
4	5100976	3	Washer	12	9027882	1	35" End Bumper Retainer
5	9022756	3	Threaded Insert	9023453	1	41" End Bumper Retainer	
6	9022760	3	Tapping Plate	13	9026528	4	End Bmpr. Cap, Pearly Gates
7	5612692	6	Screw	9027742	4	End Bmpr. Cap, Pearl	
8	5235953	1	Top End Trim, BRT/SS	9027743	4	End Bmpr. Cap, Cool Gray	
	5235954	1	Top End Trim, MB/SS	9027744	4	End Bmpr. Cap, Black	
9	9023998	1	LH Glass Frame - BRT/SS	9310881	4	End Bmpr. Cap, Steel Gray	
	9023997	1	RH Glass Frame - PPO	14	5183536	4	Screw
10	9024096	1	End Glass	15	5104702	21	Rivet
11	9027973	1	33" End Bumper, Cool Gray	16	9024653	1	RH Bench Assy. - 51" & 54.75"
	9027974	1	33" End Bumper, Black		9024654	1	LH Bench Assy. - 51" & 54.75"
	9027975	1	33" End Bumper, Pearl		9024655	1	RH Bench Assy. - 48"
					9024656	1	LH Bench Assy. - 48"
				17	9022467	1	RH End Base Close-off, PTD.
					9022460	1	LH End Base Close-off, PTD.



STRUCTURAL COMPONENTS - (CONT'D)  
PATCH ENDS, PARTITIONS AND DIVIDERS  
1" Solid Partitions - LLBR/LLBS/LLBN



---

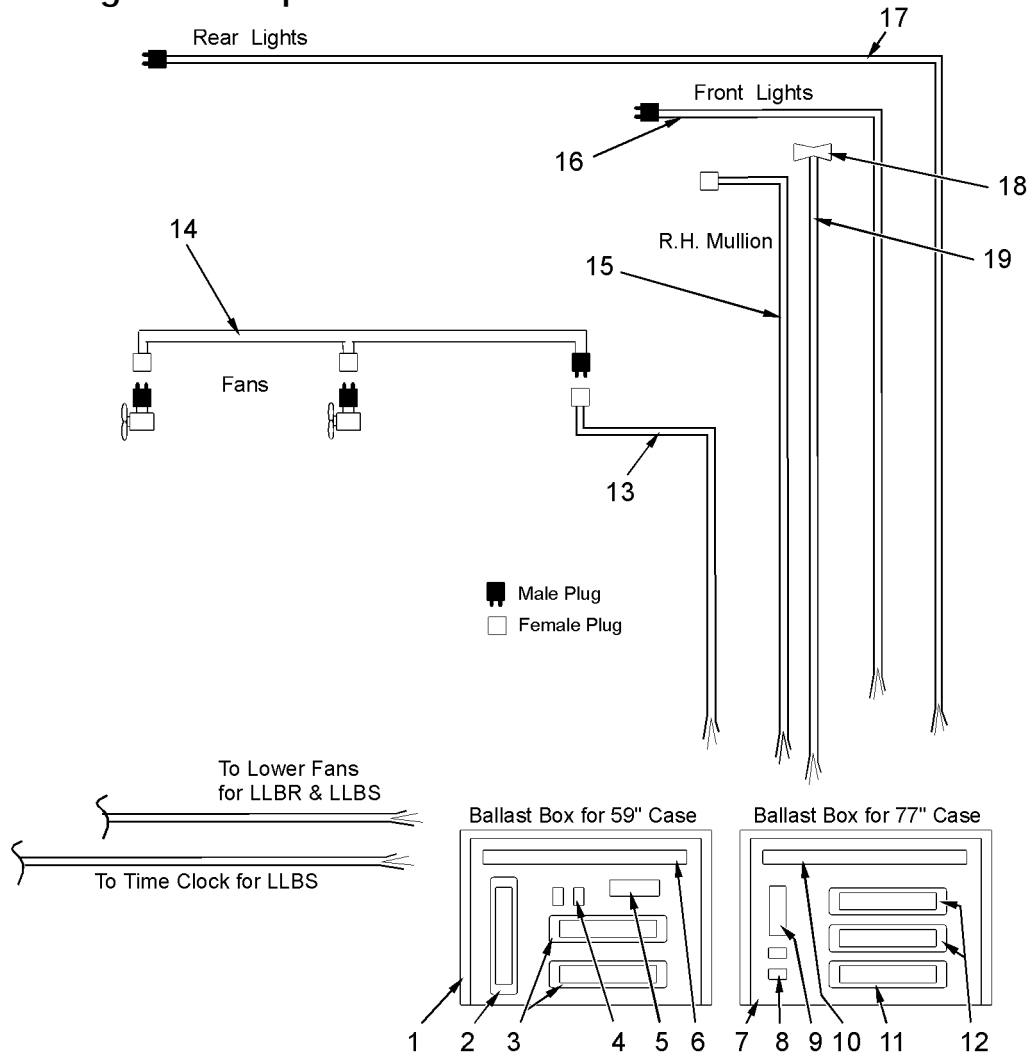
Item	Part No.	Qty.	Description
*	9030597	1	1" Solid Partition Assy.
1	9030588	1	Trim
2	5104702	10	Rivet
3	9030593	1	LH Panel, BRT/SS
	5104702	14	Rivet
4	9027656	6'	Black Strip Tape, 1"
5	9030595	1	Insulation, Styrofoam
6	9030594	1	Partition Core
7	9030592	1	RH Panel, BRT/SS



# ELECTRICAL SYSTEM COMPONENTS

## WIRING HARNESSES - LLBR/LLBS/LLBN

### Wiring and Components

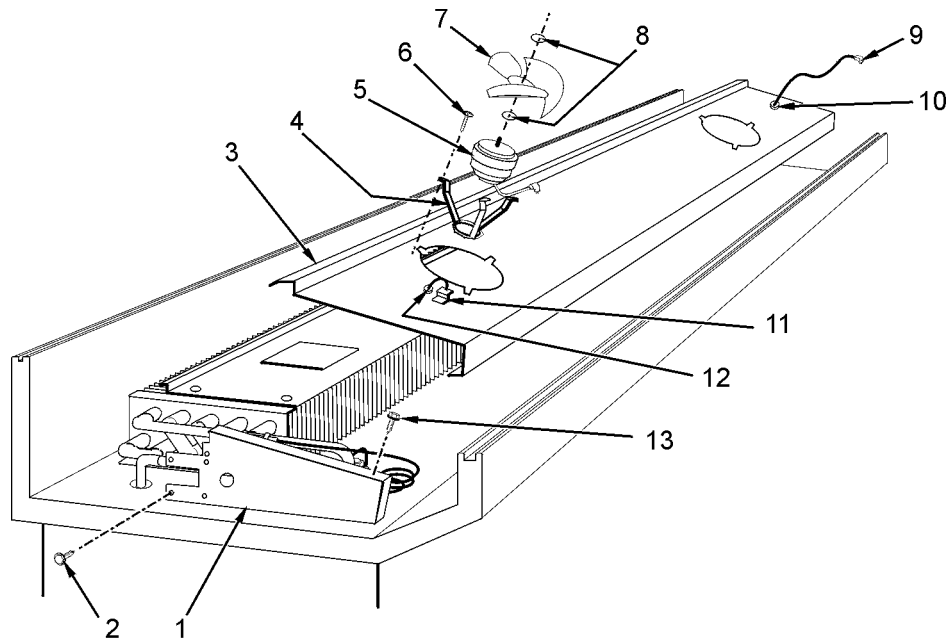


### 59" and 77" Merchandiser

Item	Part No.	Quantity		Description	Item	Part No.	Quantity		Description
		59"	77"				59"	77"	
*	5235877	1	-	Ballast Box Assy.	9	5184841	-	1	Terminal Block
1	5235815	1	-	Electrical Box Assy.		5183536	-	2	Screw
2	5235875	1	-	Ballast, 1-Lamp	10	5961799	-	1	Raceway, Plastic
	5183536	2	-	Screw		5961800	-	1	Raceway Cover
3	5235876	2	-	Ballast, 2-Lamp		5183536	-	3	Screw
	5183536	4	-	Screw	11	5236254	-	1	Ballast, 1-Lamp
4	5195131	2	-	Ground Lug		5183536	-	2	Screw
5	5184841	1	-	Terminal Block	12	5236255	-	2	Ballast, 2-Lamp
6	5961799	1	-	Raceway, Plastic		5183536	-	4	Screw
	5961800	1	-	Raceway Cover	13	5199436	1	1	Fan Harness
	5183536	3	-	Screw	14	5199414	1	1	Fan Harness
*	5236319	-	1	Ballast Box Assy.	15	5235911	5	5	Shelf Harness
7	5236558	-	1	Electrical Box Assy.	16	5235852	1	1	Light Harness
8	5195131	-	2	Ground Lug	17	5235852	1	1	Light Harness
	5111197	-	2	Screw	18	5961377	1	1	Rocker Switch
	5111198	-	2	Nut	19	5961380	1	1	Switch Harness
	5103996	-	2	Washer					



ELECTRICAL SYSTEM COMPONENTS - (CONT'D)  
 FAN SYSTEMS - LLBR/LLBS  
 Fan Panel

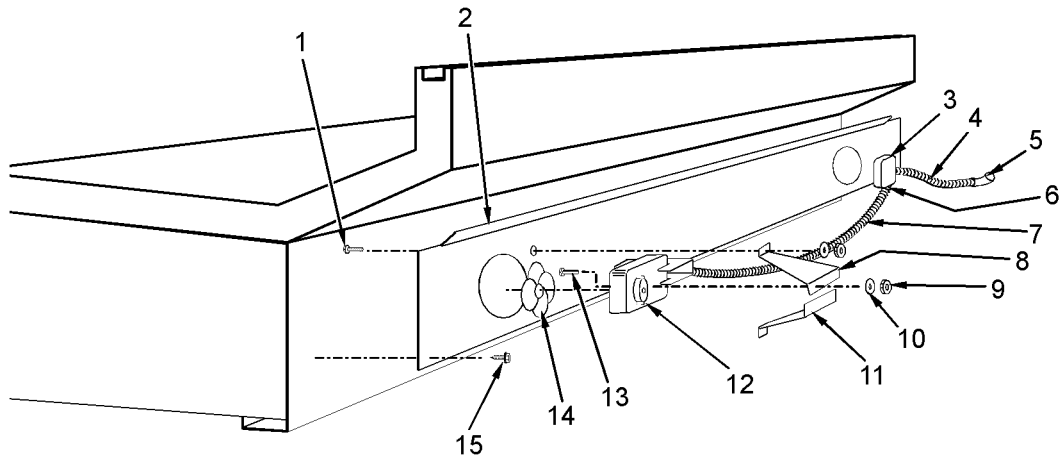


59"and 77" Merchandiser

Item	Part No.	Quantity		Description	Item	Part No.	Quantity		Description
		59"	77"				59"	77"	
1	5220880	1	1	LH Fan Panel Close-off	7	5223891	2	2	Fan Blade
	5220879	1	1	RH Fan Panel Close-off	8	-----	4	4	Nut (furn. w/ motor)
2	5183536	6	6	Screw		-----	4	4	Washer (furn. w/ motor)
3	5235880	1	-	Fan Panel	9	5199414	1	1	Harness
	5235881	-	1	Fan Panel	10	5122007	1	1	Strain Relief
*	<b>5223839</b>	<b>2</b>	<b>2</b>	<b>Fan &amp; Motor Assy.</b>	11	5206177	2	2	Fan Harness Clip
4	5962269	6	6	Bracket	12	5122007	2	2	Strain Relief
	9041077	2	2	Fan Bracket MTG Plate	13	5183536	4	4	Screw
5	5125532	2	2	Fan Motor					
6	-----	12	12	Screw (furn. w/ motor)					



ELECTRICAL SYSTEM COMPONENTS - (CONT'D)  
 FAN SYSTEMS - LLBR/LLBS  
 Lower Front Fan Panel

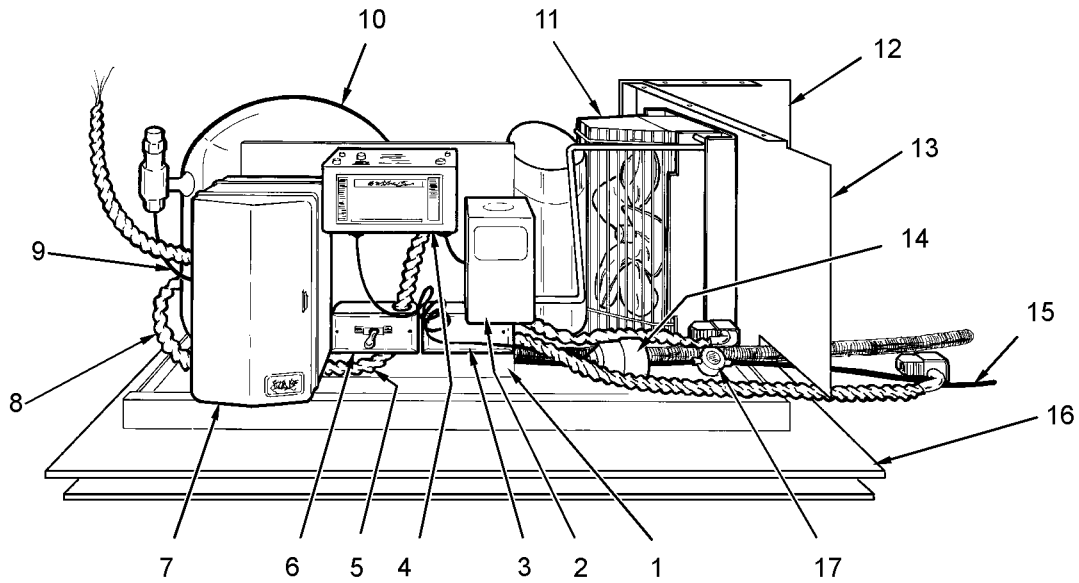


59" and 77" Merchandiser

Item	Part No.	Quantity		Description	Item	Part No.	Quantity		Description
		59"	77"				59"	77"	
1	5108549	4	4	Screw	7	5628830	1	2	Greenfield, 30"
2	5235885	1	-	Fan Panel	8	5121151	2	3	LH Fan Mounting Bracket
	5965048	-	1	Fan Panel	9	5100650	8	12	Nut
3	5102187	2	3	Handy Box	10	5100650	8	12	Lockwasher
	5102157	2	3	Handy Box Cover	11	5121150	2	3	RH Fan Mounting Bracket
	5183536	12	14	Screw	12	5120747	2	3	Fan Motor
4	5628831	1	1	Greenfield, 40"	13	5108549	2	3	Screw
5	5102106	2	3	90° Connector	14	5120748	2	3	Fan Blade
	5146579	2	3	Anti Short Bushing	15	5183536	8	8	Screw
6	5103038	2	3	Straight Connector					



ELECTRICAL SYSTEM COMPONENTS - (CONT'D)  
 CONDENSING UNIT ASSEMBLY- LLBS 59" & 77"

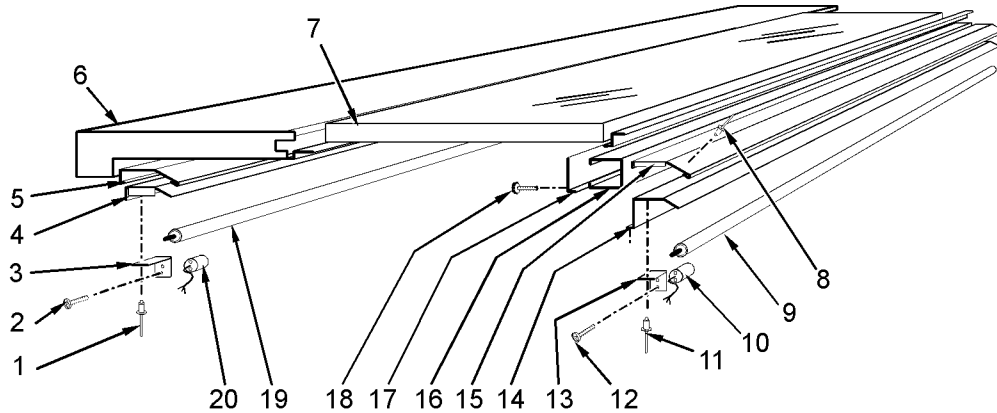


Item	Part No.	Qty.	Description	Item	Part No.	Qty.	Description
*	<b>5236963</b>	<b>1</b>	<b>Defrost Control Assy.</b>	*	<b>5235999</b>	<b>1</b>	<b>Compressor Unit Assy.</b>
1	5223756	1	Bracket	9	<b>5237408</b>	<b>1</b>	<b>Compressor Unit Assy.</b>
	5624278	2	Screw	10	5104272	1	Receiver Tank
2	5940375	1	Thermostat	11	5236775	1	Condensing Unit, 1/3 HP
3	5102187	1	Handy Box	12	5236596	1	Front Air Baffle
	5102157	1	Handy Box Cover		5183536	13	Screw
4	5220509	1	Dual Pressure Control	13	5236597	1	Rear Air Baffle
5	<b>5238923</b>	<b>1</b>	<b>Greenfield Assy.</b>	14	5236780	1	Drier
6	<b>5028354</b>	<b>1</b>	<b>Handy Box Cover Assy.</b>		5197845	1	Drier Clamp
	5146510	2	Terminal Blade		5965684	1	Screw
7	5086099	1	Defrost Control, 120V	15	5237513	1	Liquid Line (sight glass to case)
8	<b>5215030</b>	<b>1</b>	<b>Greenfield Assy.</b>	16	5236957	1	Compressor Base
				17	5236781	1	Sight Glass





ELECTRICAL SYSTEM COMPONENTS - (CONT'D)  
 TOP LIGHTS - LLBR/LLBS/LLBN

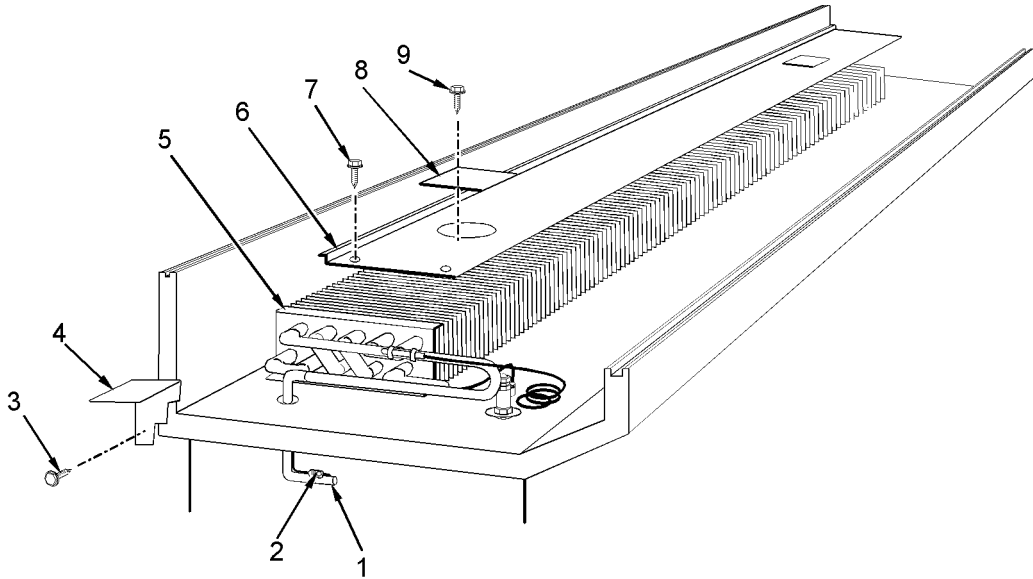


59" and 77" Merchandiser

Item	Part No.	Quantity		Description	Item	Part No.	Quantity		Description
		59"	77"				59"	77"	
1	5104702	4	4	Rivet	13	5236334	2	2	Light Socket Support
2	5111242	4	4	Screw	14	5966679	1	-	Light Channel
3	5236334	2	2	Light Socket Support		5966677	-	1	Light Channel
4	5236256	1	-	Light Channel	15	5236150	1	-	Front Light Channel Shield
	5236257	-	1	Light Channel		5236151	-	1	Front Light Channel Shield
5	5236258	1	-	Light Channel Support	16	5235802	1	-	Top Front Support Channel
	5236259	-	1	Light Channel Support		5235803	-	1	Top Front Support Channel
6	5235740	1	-	Foam Top Assy.	17	5235775	1	-	Top Front Glass Trim
	5235741	-	1	Foam Top Assy.		5235776	-	1	Top Front Glass Trim
7	5965050	1	-	Top Glass	18	5199134	3	3	Screw
	5964922	-	1	Top Glass	19	5236170	1	-	Lamp Shield
8	5104702	4	4	Rivet		5236171	-	1	Lamp Shield
9	5236170	1	1	Lamp Shield		-----	1	1	Lamp, T6
	-----	1	1	Lamp, T6	20	5236168	1	1	Light Socket
10	5236168	1	1	Light Socket		5236169	1	1	Light Socket
	5236169	1	1	Light Socket					
11	5104702	4	4	Rivet					
12	5111242	4	4	Screw					



REFRIGERATION SYSTEM COMPONENTS  
COIL ASSEMBLIES - LLBR/LLBS

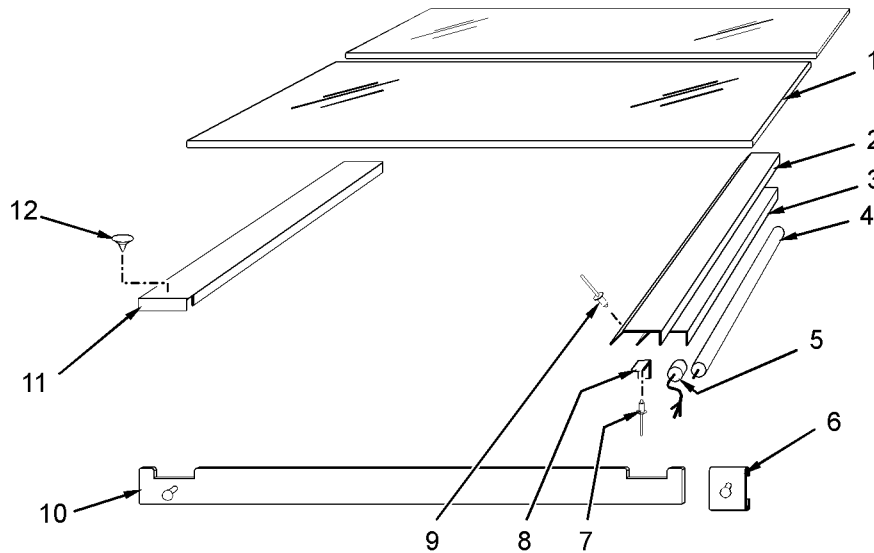


59" and 77" Merchandiser

Item	Part No.	Quantity		Description
		59"	77"	
1	5246392	1	1	Suction Line Tube Assy.
2	5246398	1	1	Solenoid Valve - LLBR
3	5183536	4	4	Screw
4	5235849	1	1	LH Coil End Close-off
	5235848	1	1	RH Coil End Close-off
5	5235861	1	-	Coil & Fittings Assy.
	5235862	-	1	Coil & Fittings Assy.
6	5235844	1	-	Coil Cover
	5235845	-	1	Coil Cover
7	5183536	4	4	Screw
8	5205171	2	2	Cover
9	5183536	4	4	Screw



**OPTIONAL CASE ACCESSORIES**  
**SHELF ASSEMBLIES - LLBR/LLBS/LLBN**  
 Optional 18", 20", 22" & 26" Glass Shelves w/ Lights

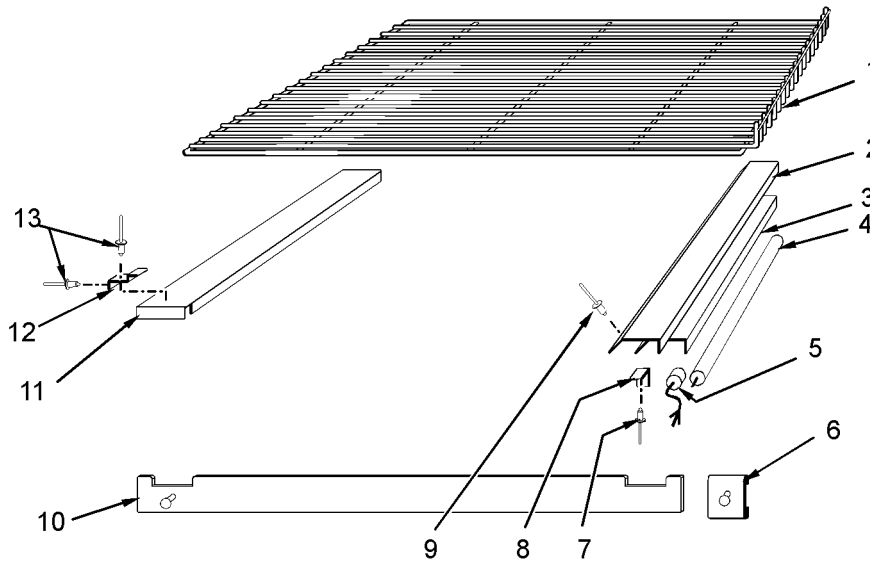


**59" and 77" Merchandiser**

Item	Part No.	Quantity		Description	Item	Part No.	Quantity		Description
		59"	77"				59"	77"	
*	5236062	1	-	18" Glass Shelf Assy.	4	5236170	1	-	Lamp Shield
*	5236064	-	1	18" Glass Shelf Assy.		5236171	-	1	Lamp Shield
*	5997607	1	-	20" Glass Shelf Assy.		-----	1	1	Lamp
*	5997609	-	1	20" Glass Shelf Assy.	5	5236168	1	1	Light Socket
*	5997608	1	-	22" Glass Shelf Assy.		5236169	1	1	Light Socket
*	5997610	-	1	22" Glass Shelf Assy.	6	5236145	2	2	Front Shelf Support
*	5236063	1	-	26" Glass Shelf Assy.	7	5104702	4	4	Rivet
*	5236065	-	1	26" Glass Shelf Assy.	8	5236334	2	2	Light Socket Support
1	5236054	2	-	Glass Shelf, 17" x 28 3/8"	9	5104702	4	4	Rivet
	5236056	-	2	Glass Shelf, 17" x 37 3/8"	10	5236159	1	1	RH 18" Shlf. Brkt. Assy.
	5997596	2	-	Glass Shelf, 19" x 28 3/8"		5236160	1	1	LH 18" Shlf. Brkt. Assy.
	5997597	-	2	Glass Shelf, 19" x 37 3/8"		5997602	1	1	RH 20" Shlf. Brkt. Assy.
	5997598	2	-	Glass Shelf, 21" x 28 3/8"		5997603	1	1	LH 20" Shlf. Brkt. Assy.
	5997599	-	2	Glass Shelf, 21" x 37 3/8"		5992086	1	1	RH 22" Shlf. Brkt. Assy.
	5236055	2	-	Glass Shelf, 25" x 28 3/8"		5992087	1	1	LH 22" Shlf. Brkt. Assy.
	5236057	-	2	Glass Shelf, 25" x 37 3/8"		5236161	1	1	RH 26" Shlf. Brkt. Assy.
2	5236141	1	-	Light Channel Support		5236162	1	1	LH 26" Shlf. Brkt. Assy.
	5236142	-	1	Light Channel Support	11	5236138	1	-	Rear Shelf Support
3	5236157	1	-	Light Channel		5236139	-	1	Rear Shelf Support
	5236158	-	1	Light Channel	12	5236061	8	8	Glass Cushion



OPTIONAL CASE ACCESSORIES - (CONT'D)  
 SHELF ASSEMBLIES - LLBR/LLBS/LLBN  
 Optional 18", 22", 24" & 26" Screen Shelves w/ Lights

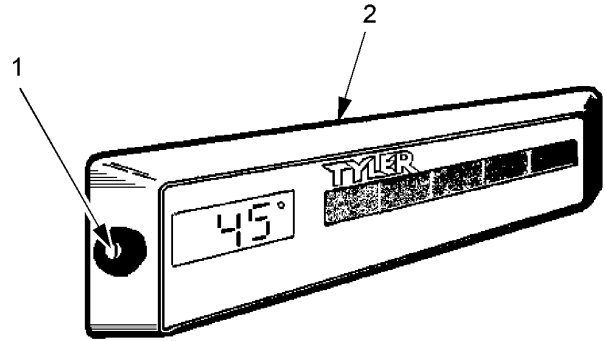
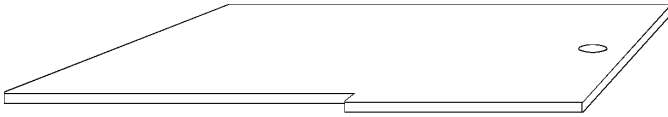


59" and 77" Merchandiser

Item	Part No.	Quantity		Description	Item	Part No.	Quantity		Description
		59"	77"				59"	77"	
*	5236069	1	-	18" Wire Shelf Assy.	-----	-----	1	1	Lamp
*	5236071	-	1	18" Wire Shelf Assy.	5	5236168	1	1	Light Socket
*	5992090	1	-	22" Wire Shelf Assy.		5236169	1	1	Light Socket
*	5992092	-	1	22" Wire Shelf Assy.	6	5236145	2	2	Front Shelf Support
*	5992091	1	-	24" Wire Shelf Assy.	7	5104702	4	4	Rivet
*	5992093	-	1	24" Wire Shelf Assy.	8	5236334	2	2	Light Socket Support
*	5236070	1	-	26" Wire Shelf Assy.	9	5104702	4	4	Rivet
*	5236072	-	1	26" Wire Shelf Assy.	10	5236159	1	1	RH 18" Shlf. Brkt. Assy.
1	5235994	2	-	Wire Shelf, 18 1/2" x 27 7/8"		5236160	1	1	LH 18" Shlf. Brkt. Assy.
	5235995	-	2	Wire Shelf, 18 1/2" x 37"		5992086	1	1	RH 22" Shlf. Brkt. Assy.
	5991961	2	-	Wire Shelf, 22 1/2" x 27 7/8"		5992087	1	1	LH 22" Shlf. Brkt. Assy.
	5991963	-	2	Wire Shelf, 22 1/2" x 37"		5992088	1	1	RH 24" Shlf. Brkt. Assy.
	5991962	2	-	Wire Shelf, 24 1/2" x 27 7/8"		5992089	1	1	LH 24" Shlf. Brkt. Assy.
	5991964	-	2	Wire Shelf, 24 1/2" x 37"		5236161	1	1	RH 26" Shlf. Brkt. Assy.
	5235924	2	-	Wire Shelf, 26 1/2" x 27 7/8"		5236162	1	1	LH 26" Shlf. Brkt. Assy.
	5235925	-	2	Wire Shelf, 26 1/2" x 37"	11	5236146	1	-	Rear Shelf Support Assy.
2	5236141	1	-	Light Channel Support		5236147	-	1	Rear Shelf Support Assy.
	5236142	-	1	Light Channel Support		5236138	1	-	Rear Shelf Support
3	5236157	1	-	Light Channel		5236139	-	1	Rear Shelf Support
	5236158	-	1	Light Channel	12	5236144	4	4	Shelf Retaining Bracket
4	5236170	1	-	Lamp Shield	13	5104957	8	8	Rivet
	5236171	-	1	Lamp Shield					



# OPTIONAL CASE ACCESSORIES - (CONT'D) BOTTOM TRAYS AND THERMOMETERS

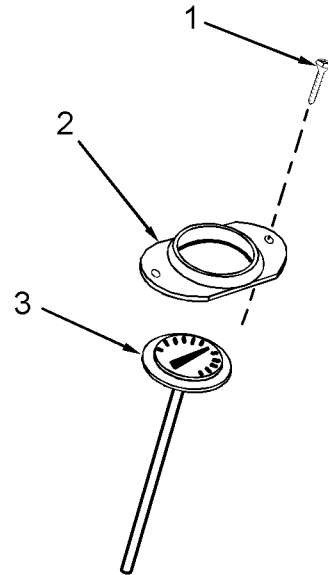


## Optional Bottom Trays

Item	Part No.	Quantity		Description
		59"	77"	
*	5235930	1	-	RH Bottom Tray Assy.
*	5235932	-	1	RH Bottom Tray Assy.
*	5235931	1	-	LH Bottom Tray Assy.
*	5235933	-	1	LH Bottom Tray Assy.
-	5235934	1	-	RH Bottom Tray
-	5235936	-	1	RH Bottom Tray
-	5235935	1	-	LH Bottom Tray
-	5235937	-	1	LH Bottom Tray
-	5235938	1	1	Tray Support

## Digital Solar Thermometer

Item	Part No.	Qty.	Description
*	5236073	1	Digital Thermometer Assy., F°
*	5989916	1	Digital Thermometer Assy., C°
1	5230884	2	Screw
2	5239500	1	Digital Thermometer, F°
	5239501	1	Digital Thermometer, C°
-	5100902	1	Clamp, Plastic
-	5127438	2	Rear Deflector Spacer
-	5185153	1	Screw



## 1" Dial Thermometer, Discharge Air

Item	Part No.	Qty.	Description
*	5987223	1	1" Dial Thermometer Assy.
1	5219883	2	Screw
2	----	1	Mounting Ring (furn. w/therm.)
3	5203829	1	1" Dial Thermometer