

LLBR/ LLBN/ LLBS LIFT FRONT CURVED BAKERY CASE (REMOTE/ NON-REFRIGERATED/ SELF-CONTAINED)

MODEL	LLB-59	LLB-77
USAGE	BAKERY	BAKERY
BTUH/CASE	1260	1570
SUCTION°	+20F	+20F
ENTER AIR°	+35F	+35F

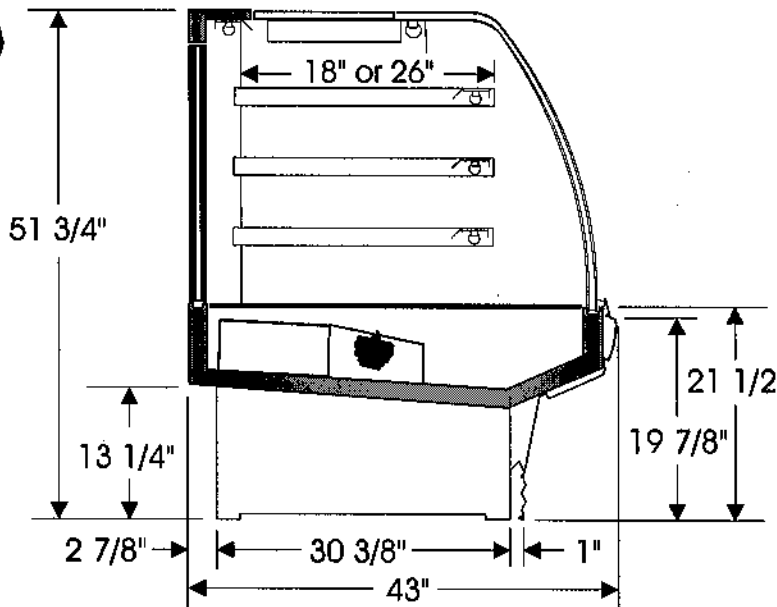
NOTE: COMPRESSOR SIZING SHOULD ALLOW FOR SUCTION LINE PRESSURE DROP.

THE ABOVE RATINGS ARE FOR COMPRESSOR SELECTION ONLY. FOR ENERGY CALCULATION DATA REFER TO THE ENERGY SECTION. FOR COMPRESSOR SIZING INFORMATION REFER TO THE "GOLD" SECTION & FOR LINE SIZING INFORMATION REFER TO THE "BUFF" SECTION OF THE TYLER SPECIFICATION GUIDE.

DATA BASED ON: Store Temperature of 75°F & 55% Relative Humidity

DEFROST CONTROL			PRESSURE SETTING		EPR SETTINGS	
PER DAY	MODE	TIME	CUT IN	CUT OUT	R22	R404A
1	OFF CYCLE	45 MIN.	63-65# @ R22	40-45# @ R22	43	---
			78-81# @ R404A	51-58# @ R404A	---	55

120 VOLT ELECTRICAL DATA (AMPS)			
MODEL	FANS	LIGHTS	CONDENSING UNIT LLBS
LLBS/R 59	1.6	1.66	7.8
LLBS/R 77	2.0	3.0	



TYPICAL CASE-TO-CASE LINEUP					
CASES			FAM AMPS	LIGHT AMPS	BTUH
59"	77"	LGTH			
2	---	118"	3.0	3.32	2520
1	1	136"	3.6	4.66	2830
---	2	154"	4.0	6.00	3140

The information contained herein is based on technical data and tests which we believe to be reliable and is intended for use by persons having technical skill, at their own discretion and risk. Since conditions of use are outside Tyler's control, we can assume no liability for results obtained or damages incurred through the applications of the data presented. SPECIFICATIONS ARE SUBJECT TO CHANGE WITHOUT NOTICE.

COPYRIGHT © 1999 TYLER S.O. - LLBR(NS), PUB