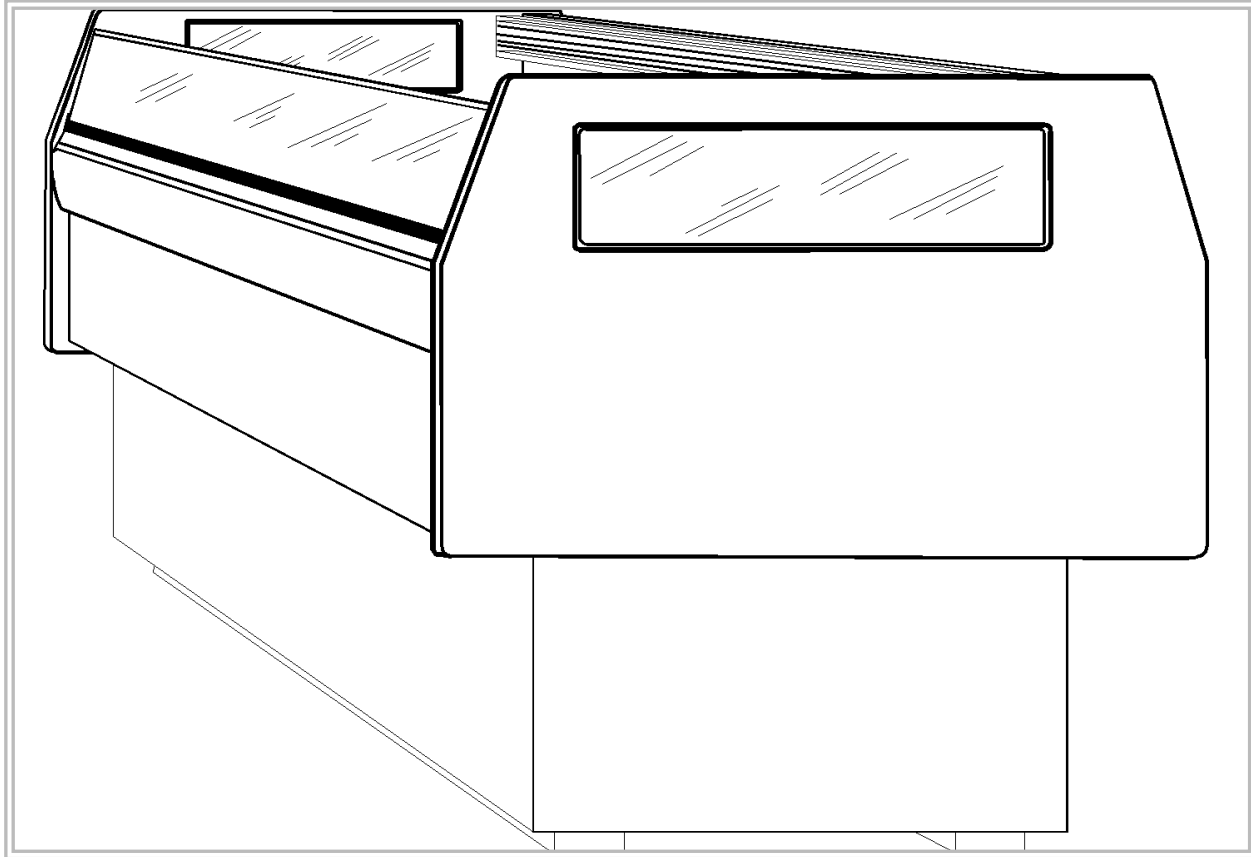


# Replacement Parts <sup>series</sup> Advantage



## Glass Front Self-Contained & Remote Spot Merchandiser

Production began October 1, 1996

LFSC5 • LF5  
LNSC5 • LN5

9000238	LF5	Low Temp	5'	Remote FF/IC Spot Merchandiser
9000239	LFSC5	Low Temp	5'	Self-Contained FF/IC Spot Merchandiser
9000240	LN5	Med-Temp	5'	Remote Deli/Dairy Spot Merchandiser
9000241	LNSC5	Med-Temp	5'	Self-Contained Deli/Dairy Spot Merchandiser



Issue date: FEBRUARY 2000  
Replaces issue: APRIL 1998  
Part number: 9030978  
Revision: B

Tyler Refrigeration Corporation Niles, MI 49120  
Parts information subject to change without notice  
Printed in U.S.A.

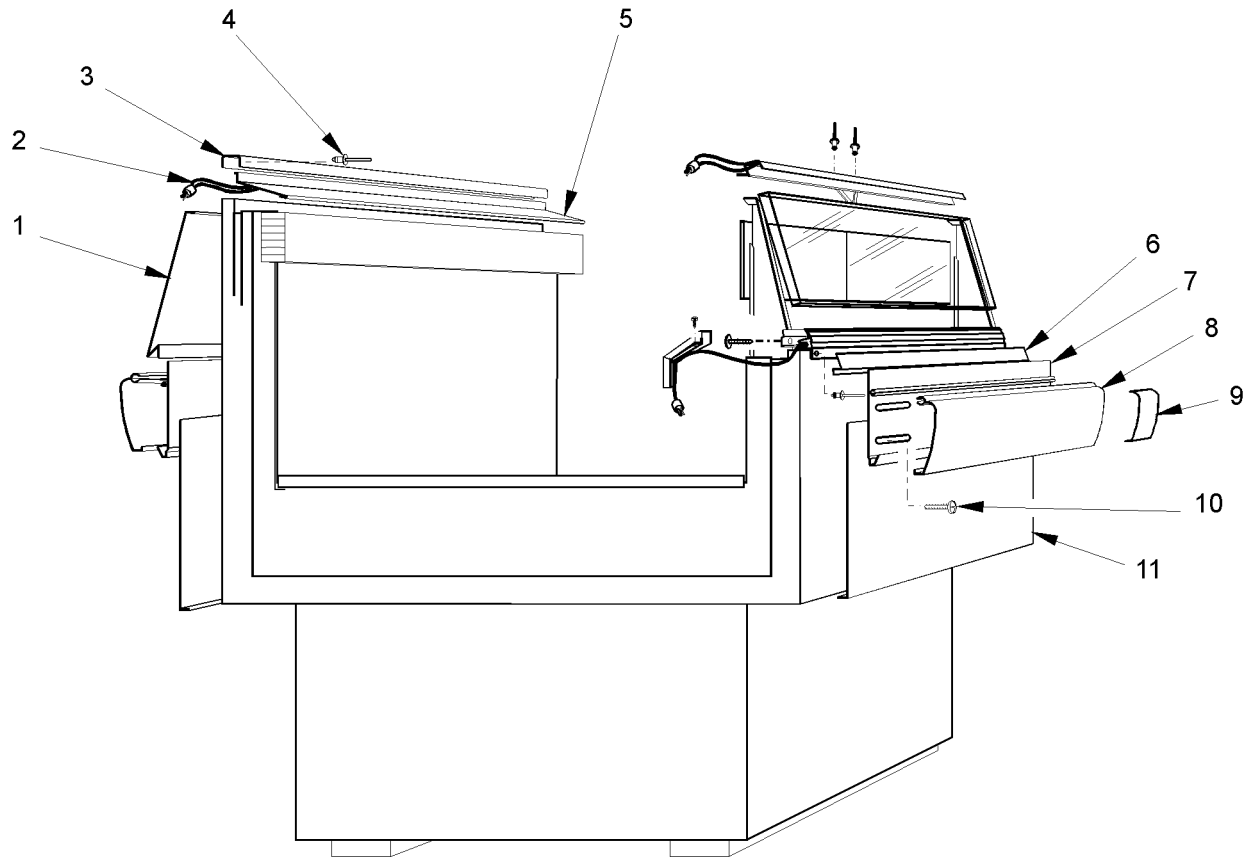


## CONTENTS

	<u>Page</u>
Cladding, Covers and Trims .....	C1-C4
<b>Structural Components</b>	
Front Glass (LFSC5/LF5) .....	S1
Front & Rear Glass (LNSC5/LN5) .....	S2
Ducts and Z-Bars .....	S3, S4
Base .....	S5
Patch Ends, Partitions and Dividers	
Solid Patch Ends .....	S6
Solid Patch Ends with Glass .....	S7
<b>Electrical System Components</b>	
Wiring Harnesses	
Wiring and Components .....	E1, E2
Fan Systems .....	E3
<b>Refrigeration System Components</b>	
Coil Assemblies .....	R1
Electric Defrost .....	R2
Self-Contained Condensing Unit (LFSC5) .....	R3
Self-Contained Condensing Unit (LNSC5) .....	R4
<b>Optional Case Accessories</b>	
4' Base Trim and Base Outlet Assemblies .....	A1
Recessed Caster Assemblies and Mobile Casters .....	A2
Elevating Screen and Nite Cover .....	A3
Thermometers .....	A4



CLADDING, COVERS AND TRIMS  
LFSC5/LF5



**Spot Merchandiser**

Item	Part No.	Qty.	Description
1	9022762	1	Upper Cladding, Rear - PTD
*	<b>5960862</b>	1	<b>Rear Riser Trim Bench Assy.</b>
2	5136615	1	Heater Wire, Rear Trim Rail
	5108656	A/R	Aluminum Tape, 2 1/2"
3	5960834	1	Rear Riser Trim
4	5104702	12	Rivet
5	9022806	1	Rear Trim Rail
6	9020966	1	Front Color Band, PTD
7	9025047	2	Bumper Retainer, Front & Rear
8	+	2	Bumper, Front & Rear
9	+	4	Bumper Backer (2 per side)
10	9025833	16	Shoulder Screw
11	9022761	2	Lower Cladding, Front & Rear - PTD

+ See page C2 for parts breakdown per color.



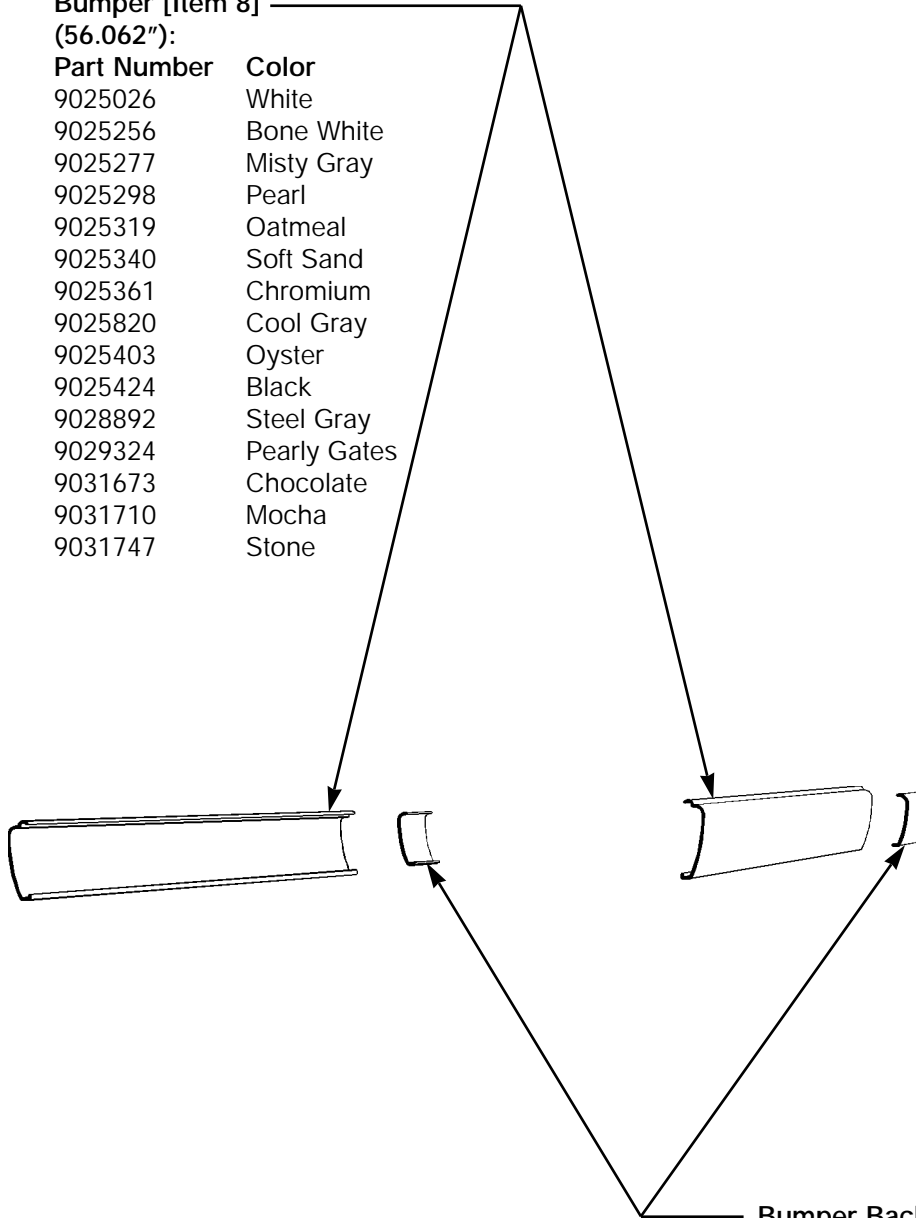
# CLADDING, COVERS AND TRIMS - (CONT'D)

## LFSC5/LF5

### Bumper [Item 8]

(56.062"):

Part Number	Color
9025026	White
9025256	Bone White
9025277	Misty Gray
9025298	Pearl
9025319	Oatmeal
9025340	Soft Sand
9025361	Chromium
9025820	Cool Gray
9025403	Oyster
9025424	Black
9028892	Steel Gray
9029324	Pearly Gates
9031673	Chocolate
9031710	Mocha
9031747	Stone



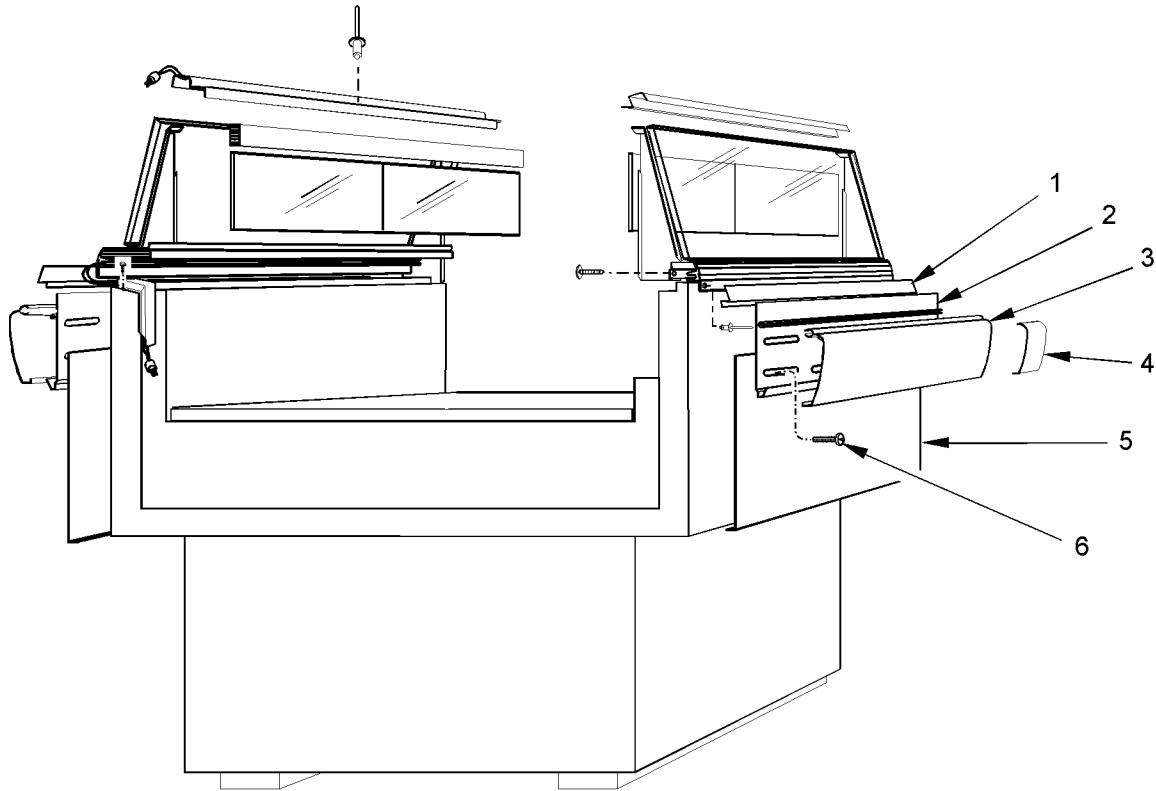
### Bumper Backer [Item 9]

Part Number	Color
9025023	White
9025028	Bone White
9025035	Misty Gray
9025038	Pearl
9025041	Oatmeal
9025079	Pearly Gates
9025253	Soft Sand
9025258	Chromium
9025265	Cool Gray
9025268	Oyster
9025271	Black
9028883	Steel Gray
9031884	Chocolate
9031885	Mocha
9031886	Stone



# CLADDING, COVERS AND TRIMS - (CONT'D)

LNSC5/LN5



## Spot Merchandiser

Item	Part No.	Qty.	Description
1	9020966	2	Front & Rear Color Band, PTD
	+	2	Opt. Front & Rear Color Band
2	9025047	2	Bumper Retainer, Front & Rear
3	+	2	Bumper, Front & Rear
4	+	4	Bumper Backer (2 per side)
5	9022761	2	Cladding, Front & Rear - PTD
6	9025833	16	Shoulder Screw

+ See page C4 for parts breakdown per color.



# CLADDING, COVERS AND TRIMS - (CONT'D)

## LNSC5/LN5

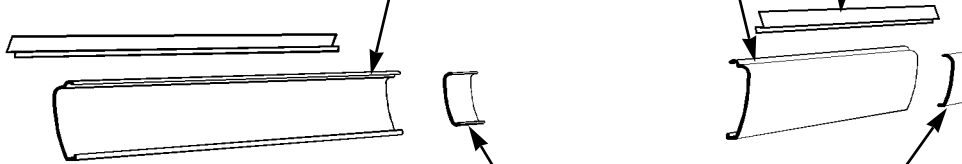
### Bumper [Item 3]

(56.062"):

Part Number	Color
9025026	White
9025256	Bone White
9025277	Misty Gray
9025298	Pearl
9025319	Oatmeal
9025340	Soft Sand
9025361	Chromium
9025820	Cool Gray
9025403	Oyster
9025424	Black
9028892	Steel Gray
9029324	Pearly Gates
9031673	Chocolate
9031710	Mocha
9031747	Stone

### Opt. Vinyl Color Band [Item 1]

Part Number	Color
9022135	Quaker Oak
9022136	Walnut
9022137	Teakwood
9022138	Comp. Oak

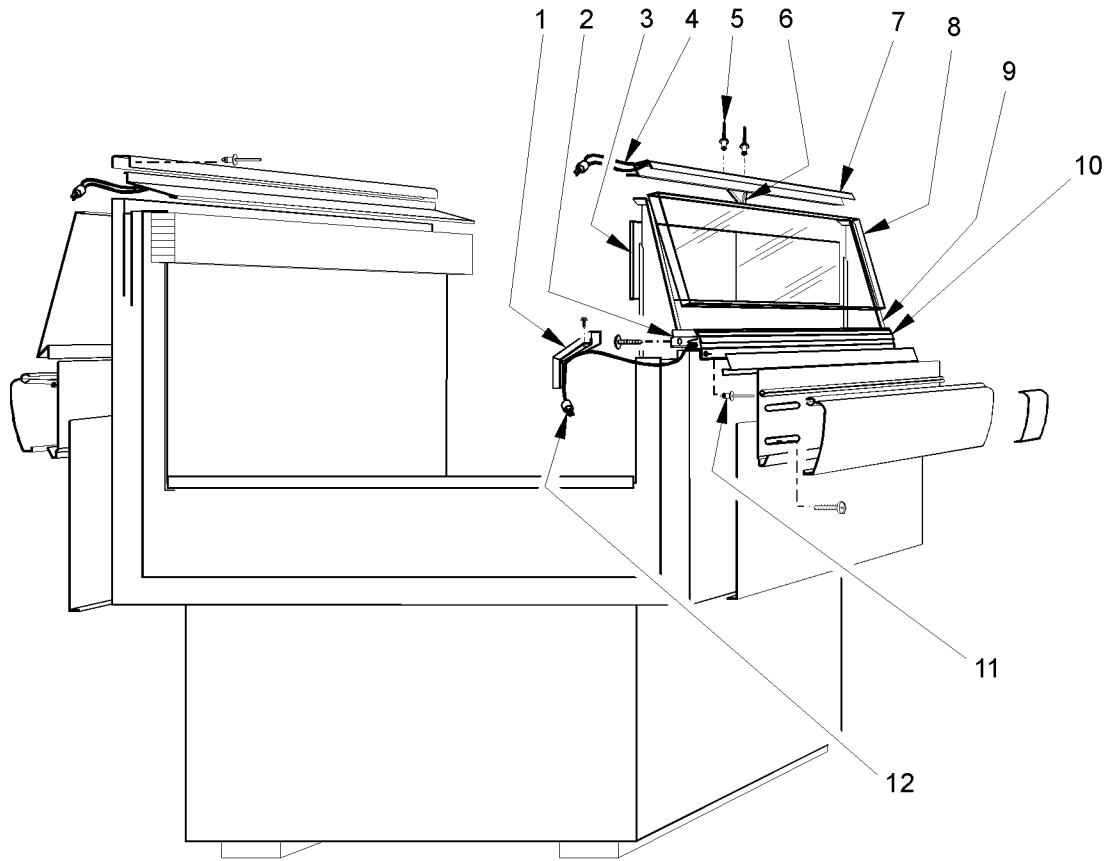


### Bumper Backer [Item 4]

Part Number	Color
9025023	White
9025028	Bone White
9025035	Misty Gray
9025038	Pearl
9025041	Oatmeal
9025079	Pearly Gates
9025253	Soft Sand
9025258	Chromium
9025265	Cool Gray
9025268	Oyster
9025271	Black
9028883	Steel Gray
9031884	Chocolate
9031885	Mocha
9031886	Stone



STRUCTURAL COMPONENTS  
FRONT GLASS - LFSC5/LF5

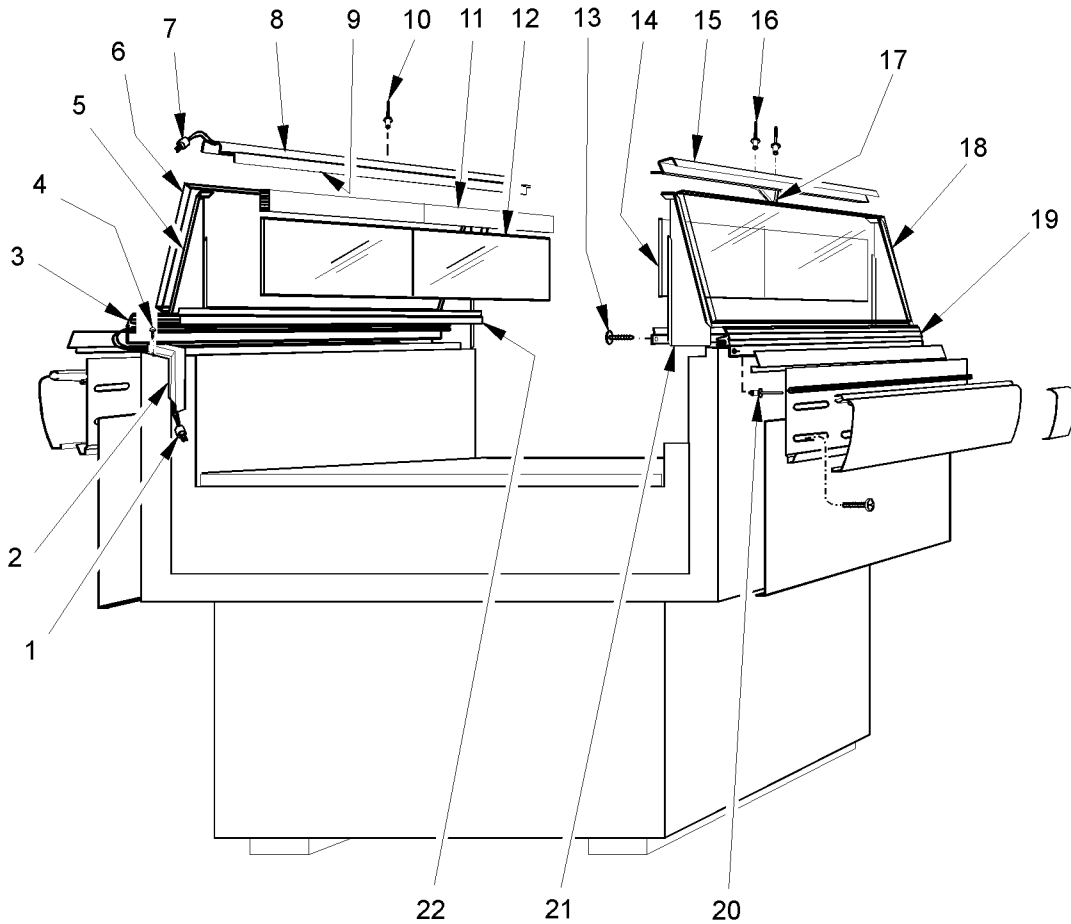


Spot Merchandiser

Item	Part No.	Qty.	Description	Item	Part No.	Qty.	Description
1	5217698	1	Wire Cover	8	5217455	1	Front Thermo Glass
	5183536	4	Screw		5208285	A/R	Everseal Tape
2	5217422	1	Rear Glass Retainer	9	5217453	1	RH Front Glass Support
	5203018	5	Screw		5217454	1	LH Front Glass Support
3	5217407	2	Front Plexiglas Barrier		5107190	2	Pressure Sensative Sponge
*	<b>9022803</b>	<b>1</b>	<b>Front Glass Trim Rail Assy.</b>	*	<b>5991856</b>	<b>1</b>	<b>Front Glass Retainer Assy.</b>
4	5136615	1	Heater Wire, Front Trim Rail	10	9020966	1	Glass Retainer Molding
	5057259	A/R	Aluminum Tape, 1"	11	5105037	4	Rivet
5	5104702	2	Rivet	12	5217424	1	Heater Wire, Glass Retainer
6	5217452	1	Joint Barrier Glass Support		5057259	A/R	Aluminum Tape, 1"
7	5955531	1	Front Trim Rail				



STRUCTURAL COMPONENTS - (CONT'D)  
FRONT & REAR GLASS - LNSC5/LN5



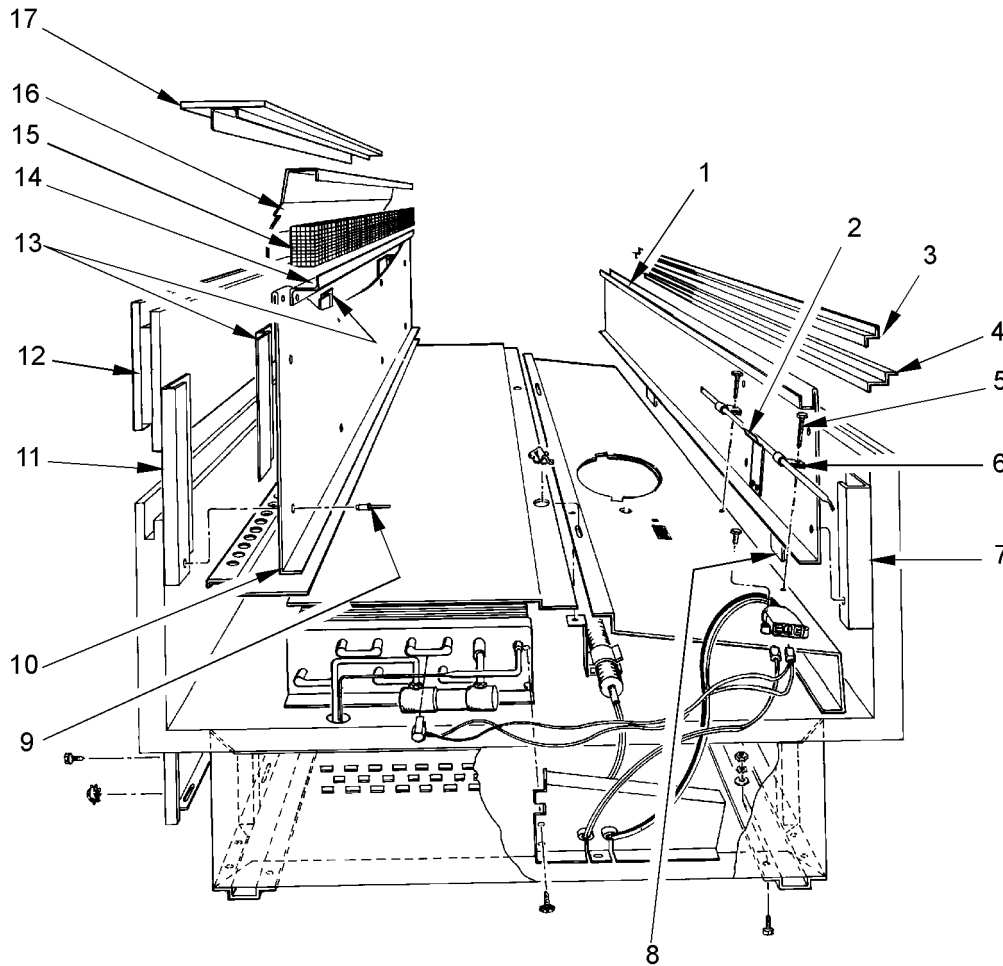
Spot Merchandiser

Item	Part No.	Qty.	Description	Item	Part No.	Qty.	Description
*	<b>5991856</b>	<b>1</b>	<b>Glass Retainer Assy.</b>	11	5217409	2	Air Grid
1	5217424	1	Heater Wire, Glass Retainer		5223209	2	Front Air Guard Retainer
	5057259	A/R	Aluminum Tape, 1"		5223180	2	Rear Air Guard Retainer
2	5217697	1	Wire Cover		5193979	3	Binding Screw
3	5955524	1	3-Pane Thermo Glass Retainer	12	5217408	2	Rear Plexiglas Barrier
4	5183536	1	Screw		5214669	A/R	Silaprene Adhesive
5	5217454	1	LH Front Glass Support	13	5203018	5	Screw
	5217453	1	RH Front Glass Support	14	5217407	2	Front Plexiglas Barrier
	5107190	A/R	Pressure Sensitive Sponge	*	<b>5991858</b>	<b>1</b>	<b>Front Glass Trim Rail Assy.</b>
6	5217455	1	Thermo Glass	15	5991857	1	Front Trim Rail, Stainless Steel
	5208285	A/R	Everseal Tape	16	5104702	2	Rivet
*	<b>5991859</b>	<b>1</b>	<b>Rear Trim Rail Assy.</b>	17	5217452	1	Joint Support, Plexi Barrier
7	5136615	1	Heater Wire, Rear Trim Rail	18	5217406	1	Thermo Glass
	5057259	A/R	Aluminum Tape, 1"	19	9023151	1	Front Glass Retainer
8	5955531	1	Rear Trim Rail	20	5105037	8	Rivet
9	5217419	1	Upper Grid Retainer	21	5217449	1	LH Front Glass Support
10	5104702	2	Rivet		5217448	1	RH Front Glass Support
*	<b>5223217</b>	<b>2</b>	<b>Rear Barrier &amp; Grid Assy.</b>		5107190	A/R	Pressure Sensitive Sponge
				22	5217422	2	Rear Glass Retainer





STRUCTURAL COMPONENTS - (CONT'D)  
 DUCTS AND Z-BARS - LFSC5/LF5



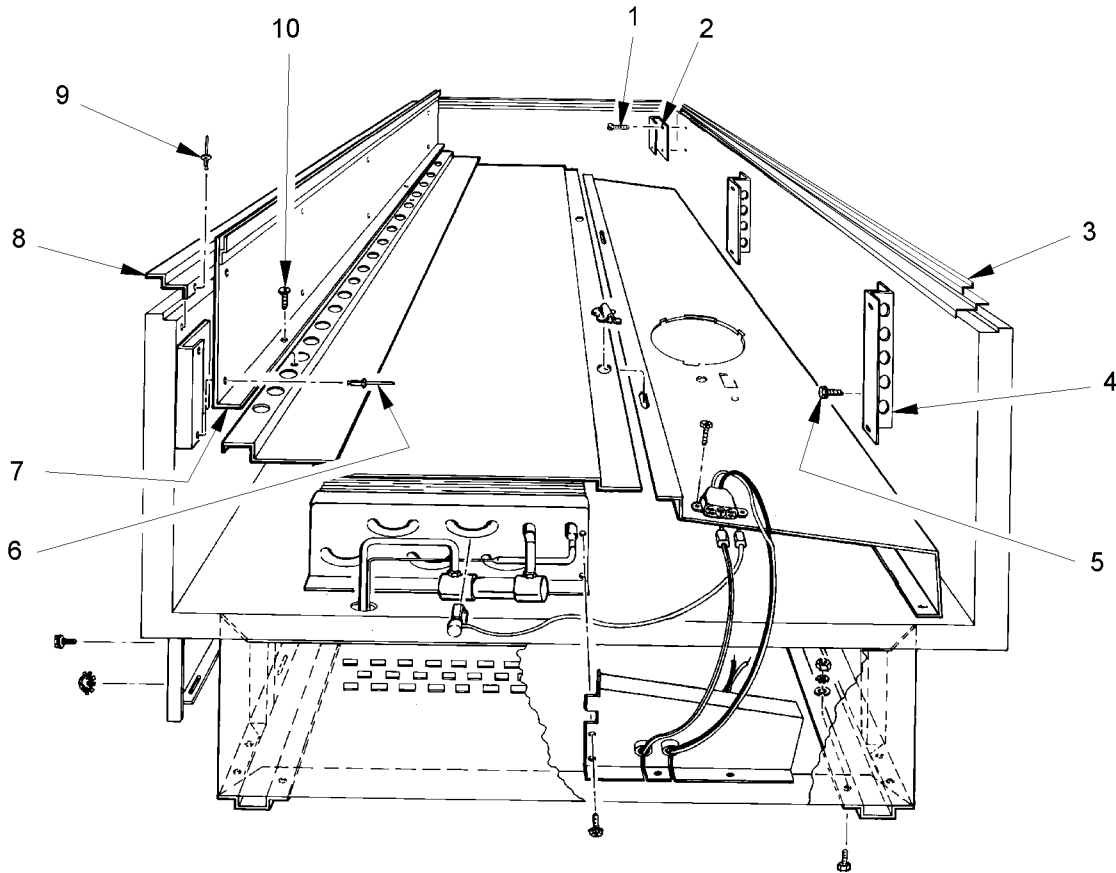
Spot Merchandiser

Item	Part No.	Qty.	Description	Item	Part No.	Qty.	Description
1	5223218	1	Front Duct	10	5960831	1	Rear Duct
2	5199097	1	Support, Thermostat Bulb	11	9023388	2	Rear Duct End Close-off (LFSC5)
	5183536	2	Screw		5960833	2	Rear Duct End Close-off (LF5)
3	5960838	1	Front & Rear Rail Cover	12	<b>5960820</b>	1	<b>Rear Extension Assy.</b>
4	5217451	1	Front Rail Cover	13	5960832	2	Rear Duct Z-Bar
	5104702	5	Rivet	*	<b>5960824</b>	1	<b>Grid &amp; Retainer Assy.</b>
5	5183536	2	Screw	14	5960825	1	Lower Honeycomb Retainer
6	5106713	2	Tubing Clip	15	5217409	2	Discharge Grid
7	9023339	2	FR Duct End Close-off (LFSC5)	16	5217664	1	Air Deflector
	5960768	2	FR Duct End Close-off (LF5)	17	<b>5960827</b>	1	<b>Grid Retainer Assy.</b>
	5183536	8	Screw		5960829	1	Masonite
8	5960769	2	Front Duct Z-Bar		5960828	1	Grid Retainer
	5183536	8	Screw		5105037	5	Rivet
9	5102643	8	Rivet				



# STRUCTURAL COMPONENTS - (CONT'D)

## DUCTS AND Z-BARS - LN5C5/LN5

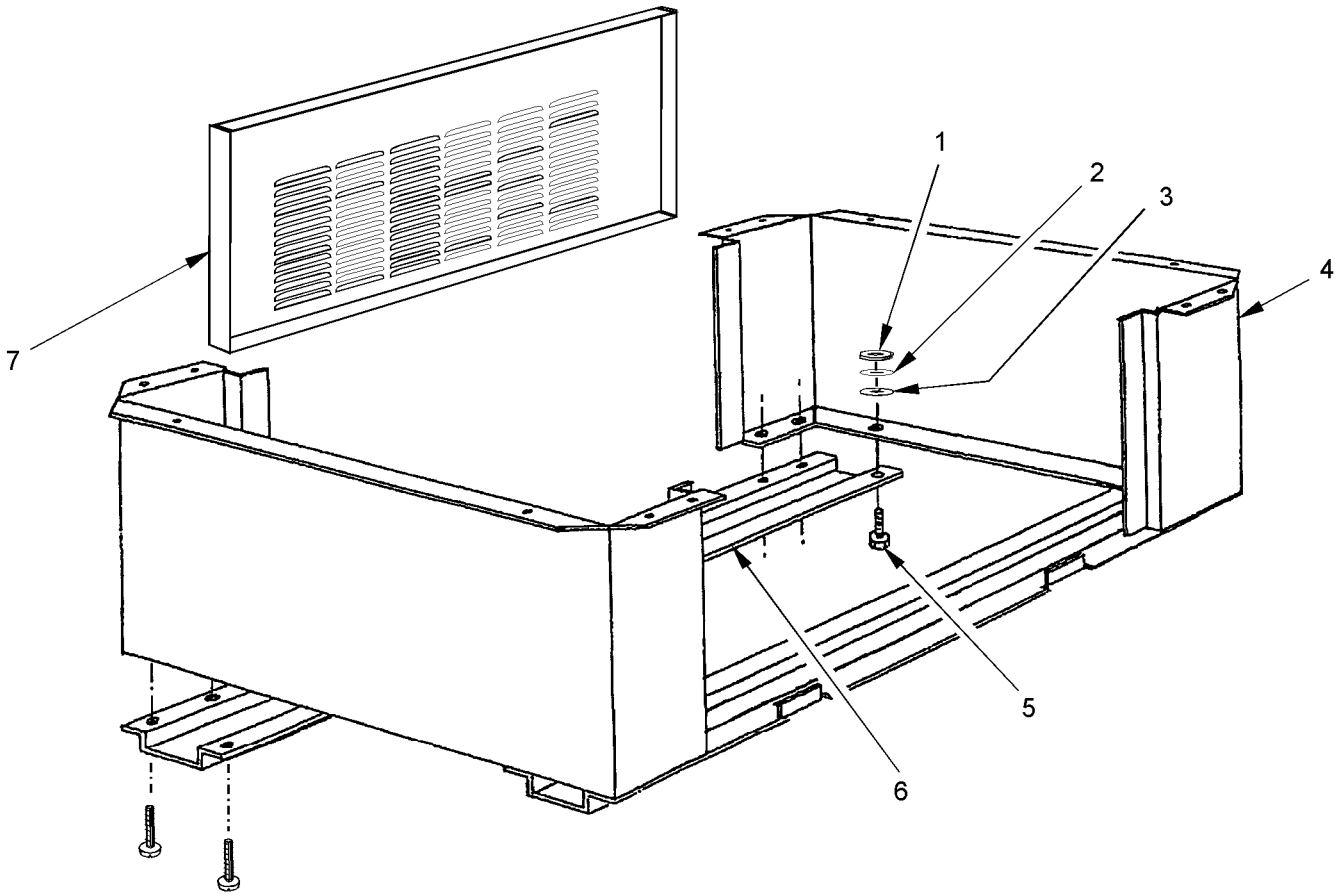


### Spot Merchandiser

Item	Part No.	Qty.	Description
1	5120943	8	Screw
2	5960768	4	End Duct Close-off
3	5217451	1	Front Rail Cover
4	5960769	4	Front & Rear Duct Z-Bar
5	5120943	8	Screw
6	5104702	10	Rivet
7	5223218	2	Front & Rear Duct
8	5960838	2	Front & Rear Rail Cover
9	5104702	5	Rivet
10	5120943	4	Screw



STRUCTURAL COMPONENTS - (CONT'D)  
BASE - LFSC5/LF5/LNSC5/LN5

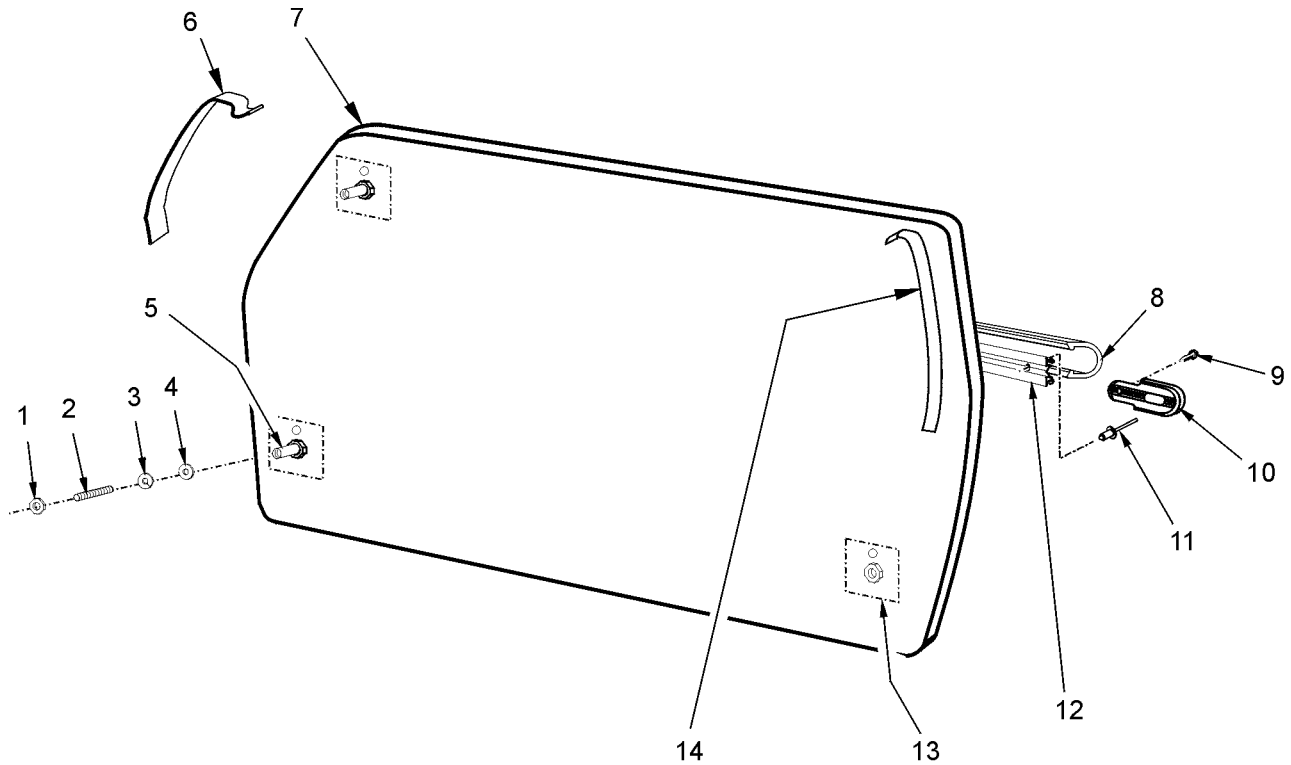


Spot Merchandiser

Item	Part No.	Qty.	Description
1	5100616	12	Nut
2	5100973	12	Washer
3	5101000	12	Lockwasher
4	9022763	2	Base End Panel
5	5100451	12	Bolt
6	5195810	2	Base Rail
7	5234863	2	Front & Rear Base Panel
	5053985	4	Screw (2 per panel)



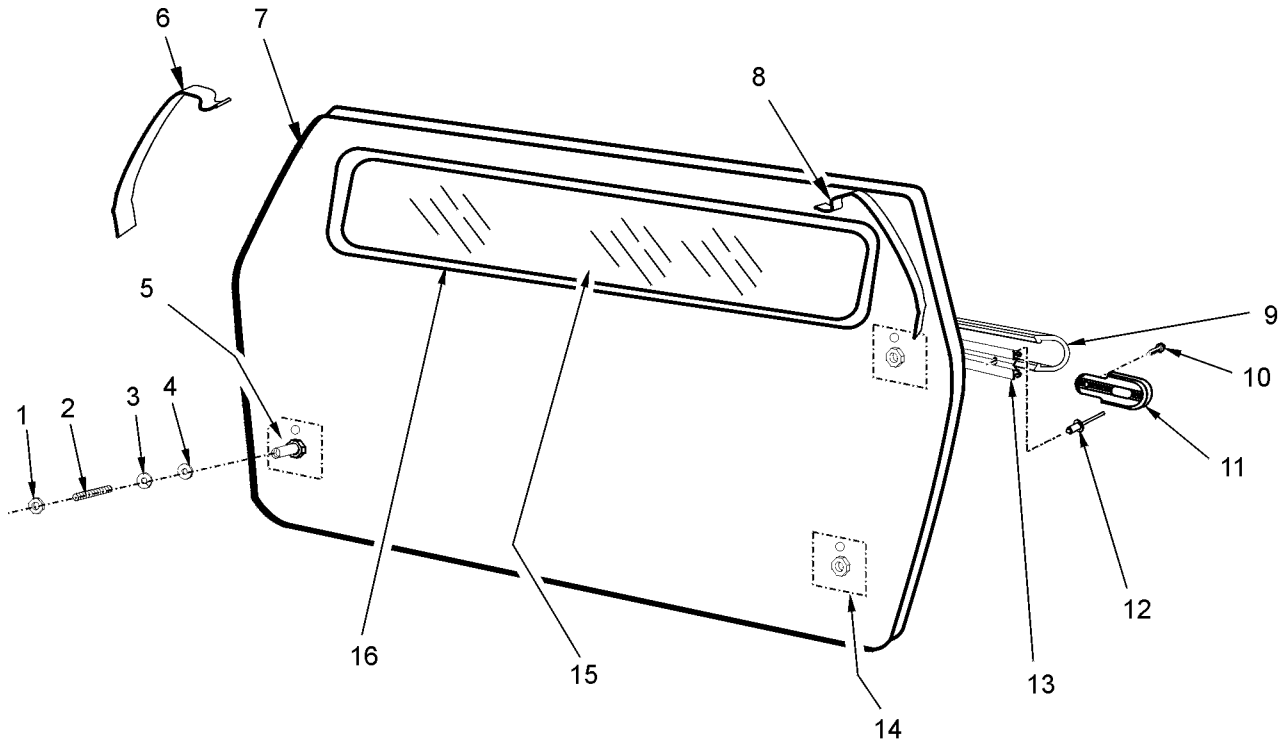
STRUCTURAL COMPONENTS - (CONT'D)  
 PATCH ENDS, PARTITIONS AND DIVIDERS - LFSC5/LF5  
 Solid Patch Ends, Contoured



Item	Part No.	Qty.	Description	Item	Part No.	Qty.	Description
*	9031490	1	RH & LH Contoured End Assy., PTD w/PTD Liner	8	9027969	1	1" Bumper, Pearl
1	5100625	4	Nut, 5/16"-18		9027967	1	1" Bumper, Cool Gray
2	9022759	4	Stud		9027968	1	1" Bumper, Black
3	5101003	4	Lockwasher		9029308	1	1" Bumper, Pearly Gates
4	5100976	4	Washer	9	5183536	2	Screw
5	9022756	4	Threaded Insert	10	9027742	2	End Cap, Pearl
6	9023329	1	LH End Glass Trim-LNSC5		9027743	2	End Cap, Cool Gray
	9023328	1	RH End Glass Trim-LNSC5		9027744	2	End Cap, Black
	5183536	2	Screw		9026528	2	End Cap, Pearl Gates
7	9031486	1	RH Bench Assy., PTD w/PTD Liner	11	5104702	4	Rivet
	9031487	1	LH Bench Assy., PTD w/PTD Liner	12	9027880	1	Mounting Retainer
				13	9022760	4	Tapping Plate
				14	9028635	1	LH Rear End Trim-L5FSC5
					9028634	1	RH Rear End Trim-L5FSC5
					5183536	2	Screw



**STRUCTURAL COMPONENTS - (CONT'D)**  
**PATCH ENDS, PARTITIONS AND DIVIDERS - LNSC5/LN5**  
**Solid Patch Ends with Glass, Contoured**

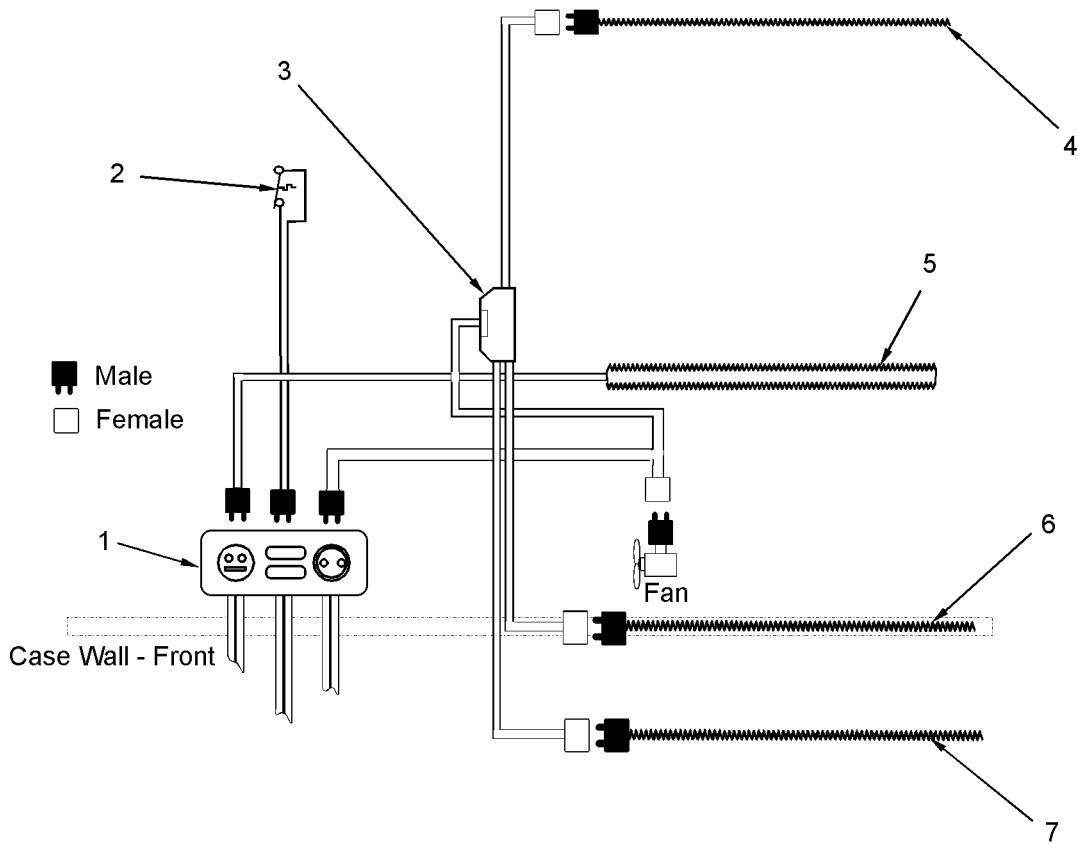


Item	Part No.	Qty.	Description	Item	Part No.	Qty.	Description
*	9030251	1	RH Cont. End Assy. w/Glass, PTD w/PTD Liner	9	9034932	1	Edge Trim, Steel Gray
*	9030252	1	LH Cont. End Assy. w/Glass, PTD w/PTD Liner	10	9027969	1	1" Bumper, Pearl
1	5100625	4	Nut, 5/16"-18	11	9027967	1	1" Bumper, Cool Gray
2	9022759	4	Stud		9027968	1	1" Bumper, Black
3	5101003	4	Lockwasher		9029308	1	1" Bumper, Pearly Gates
4	5100976	4	Washer	10	5183536	2	Screw
5	9022756	4	Threaded Insert	11	9027742	2	End Cap, Pearl
6	9023329	1	LH End Glass Trim		9027743	2	End Cap, Cool Gray
	9023328	1	RH End Glass Trim		9027744	2	End Cap, Black
	5183536	2	Screw		9026528	2	End Cap, Pearl Gates
7	9030223	1	RH & LH End Liner, PTD	12	5104702	4	Rivet
	9030224	1	RH End Panel, PTD	13	9027880	1	Mounting Retainer
	9030225	1	LH End Panel, PTD.	14	9022760	4	Tapping Plate
8	9023327	1	LH End Glass Trim	15	5217561	1	Thermo Glass
	9023326	1	RH End Glass Trim	16	5222095	1	End Glass Frame, Inside
					9023325	1	End Glass Frame, Outside
					5220472	10	Screw



**ELECTRICAL SYSTEM COMPONENTS  
WIRING HARNESSSES**

**Wiring and Components - LFSC5/LF5**

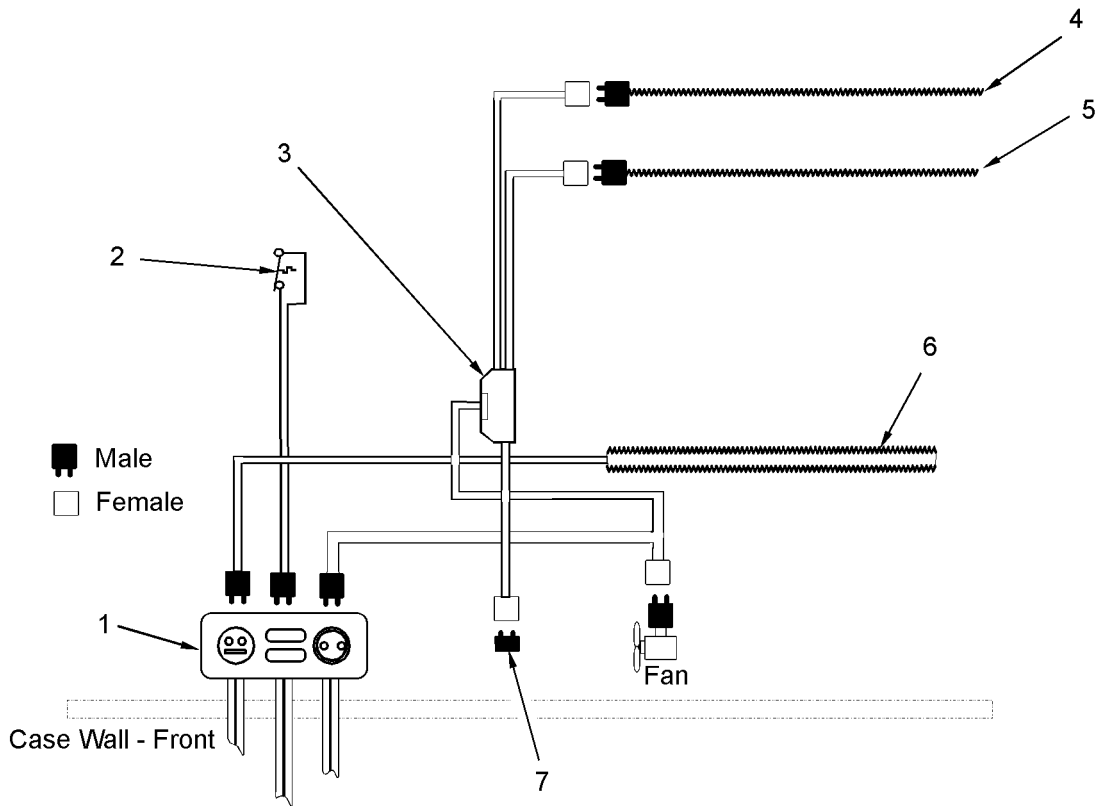


**Spot Merchandiser**

Item	Part No.	Qty.	Description
1	5625360	1	Supply Harness, 220V
2	5125211	1	Klixon Thermostat
	5145098	1	Klixon Mounting Clip
3	5220416	1	Supply Harness, Fan & Anti-Sweat
4	5136615	1	Heater Wire, Rear Trim Rail
5	5109046	1	Defrost Heater
	5219012	2	Defrost Heater Bracket
	5104952	2	Defrost Heater Clip
6	5217424	1	Heater Wire, Front Glass Retainer
7	5136615	1	Heater Wire, Front Trim Rail



ELECTRICAL SYSTEM COMPONENTS - (CONT'D)  
 WIRING HARNESSSES  
 Wiring and Components - LNSC5/LN5

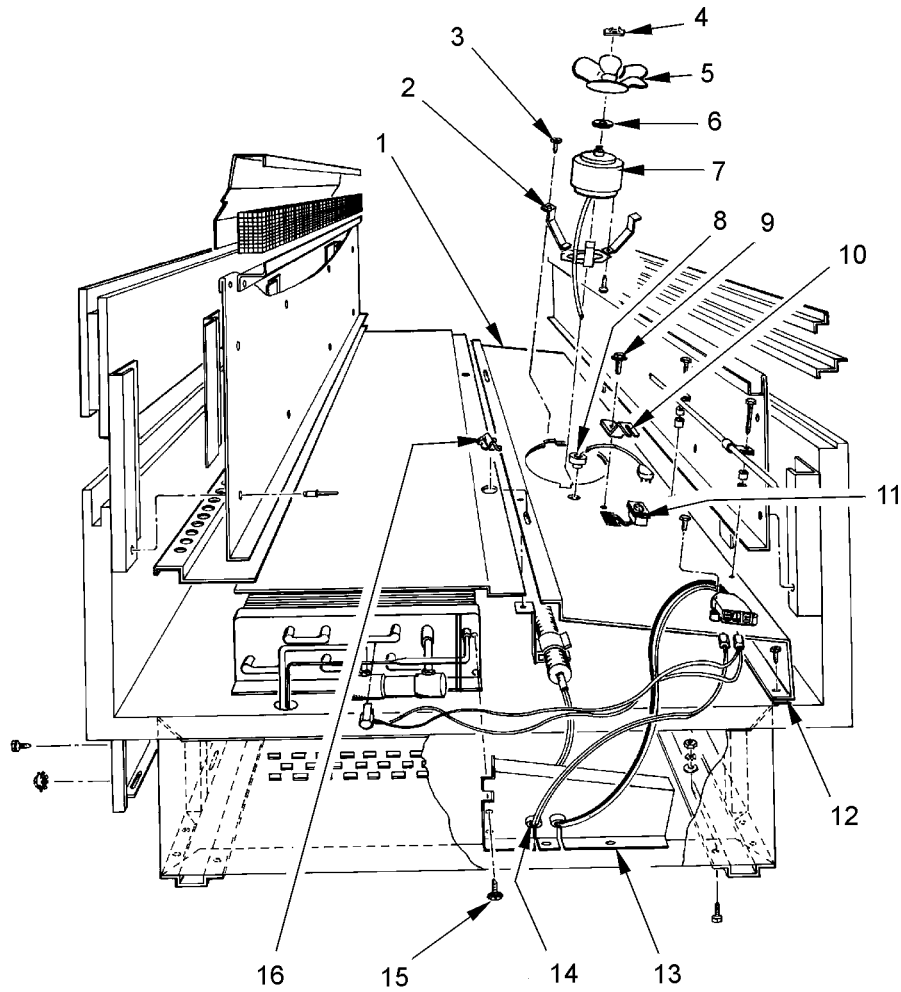


**Spot Merchandiser**

Item	Part No.	Qty.	Description
1	5625360	1	Supply Harness, 220V
2	5125211	1	Klaxon Thermostat
	5145098	1	Klaxon Mounting Clip
3	5220416	1	Supply Harness, Fan & Anti-Sweat
4	5136615	1	Heater Wire, Rear Trim Rail
5	5217424	1	Heater Wire, Front Glass Retainer
6	5108188	1	Defrost Heater
	5219012	2	Defrost Heater Bracket
	5104952	2	Defrost Heater Clip
7	5149769	1	Dummy Plug



ELECTRICAL SYSTEM COMPONENTS - (CONT'D)  
 FAN SYSTEMS - LFSC5/LF5/LNSC5/LN5



LFSC5-LF5 Body Illustrated

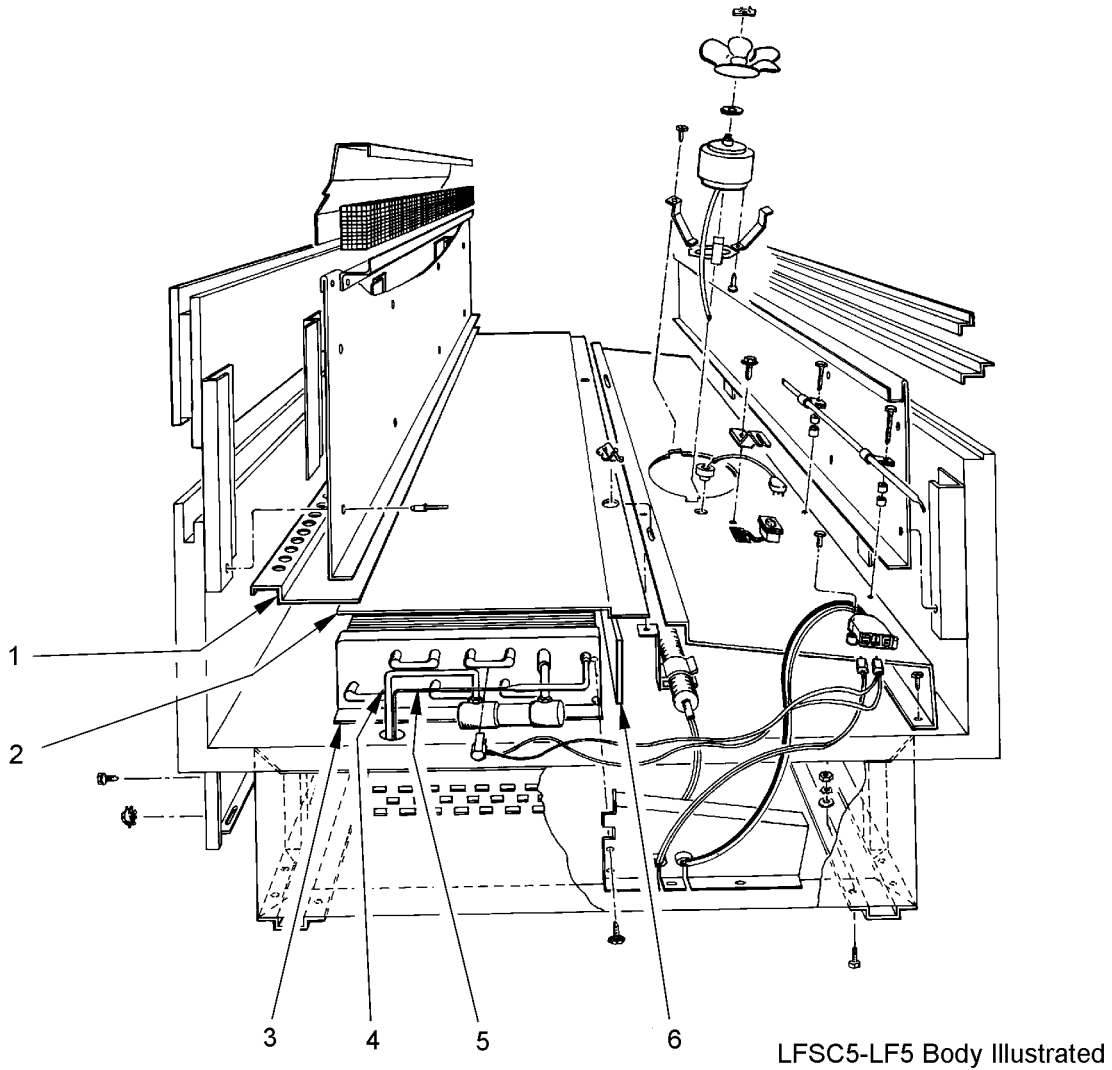
**Spot Merchandiser**

Item	Part No.	Qty.	Description	Item	Part No.	Qty.	Description
1	5960937	1	Fan Panel	8	5122007	1	Strain Relief
*	5960944	1	Fan Motor Assy.	9	5120943	1	Screw
*	9025011	1	Opt. ECM Fan Motor Assy.	10	5206177	1	Fan Harness Clip
2	5120098	3	Motor Bracket	11	5220416	1	Fan Harness
	9041077	3	Fan Bracket Mounting Plate	12	5214669	A/R	Slipprene Adhesive
	9025005	3	Motor Bracket, Opt. ECM	13	5960939	1	LH Fan Panel Close-off
3	5120943	3	Screw		5960938	1	RH Fan Panel Close-off
4	-----	1	Nut (furn. w/ motor)	14	5123674	2	Heyco Bushing
5	5960943	1	Fan Blade, 7" 20° 5B	15	5120746	4	Screw (2 per close-off)
6	-----	1	Washer (furn. w/ motor)	16	5185321	2	Q4 Fastener, 1/4 Turn
7	5125532	1	Fan Motor, 5W				
	9025001	1	Opt ECM Fan Motor, 5W				





REFRIGERATION SYSTEM COMPONENTS  
 COIL ASSEMBLIES - LFSC5/LF5/LNSC5/LN5

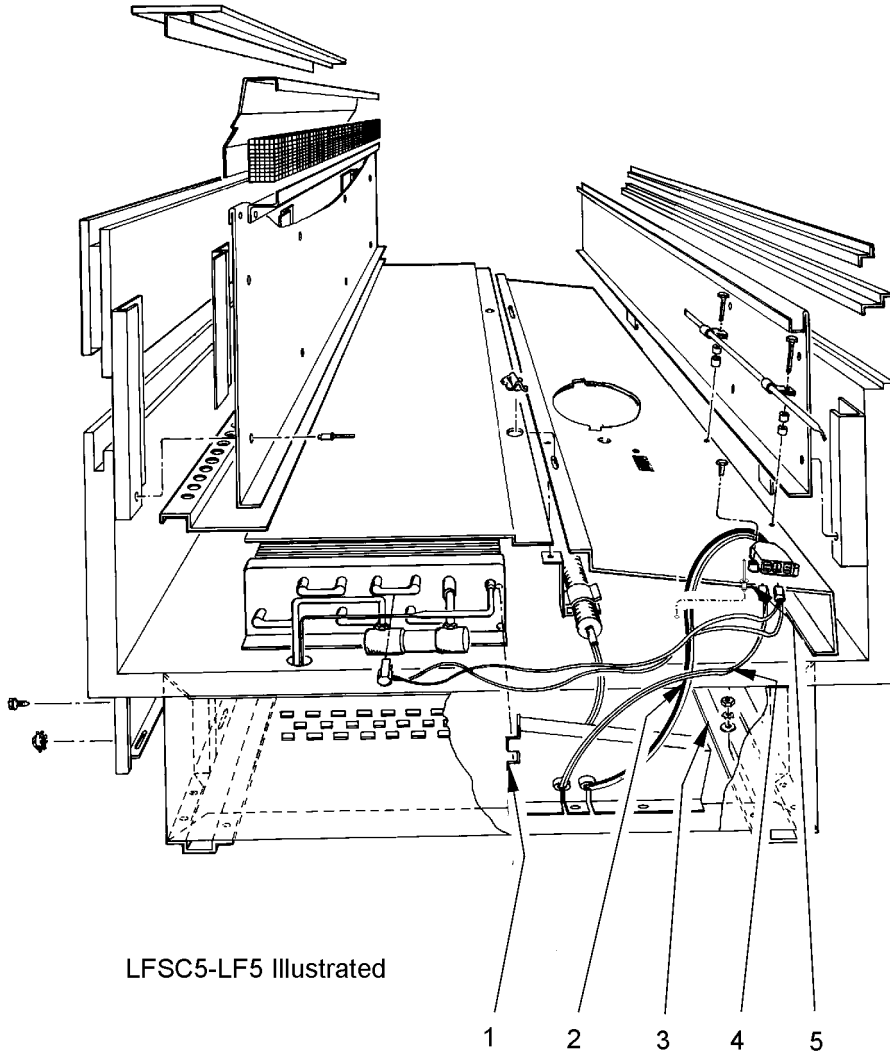


**Spot Merchandiser**

Item	Part No.	Qty.	Description
1	5195169	1	Rear Coil Close-off
2	5960861	1	Coil Cover
*	5234853	1	Coil Bench Assy. (LFSC5/LF5)
*	5234866	1	Coil Bench Assy. (LNSC5/LN5)
3	5234852	1	Coil Fittings Assy.
4	5195811	1	Suction Line Assy.
	5624902	1	Access Valve
5	5234854	1	Liquid Line Assy.
6	223177	1	Air Baffle (LNSC5/LN5 only)



# REFRIGERATION SYSTEM COMPONENTS - (CONT'D) ELECTRIC DEFROST - LFSC5/LF5/LNSC5/LN5



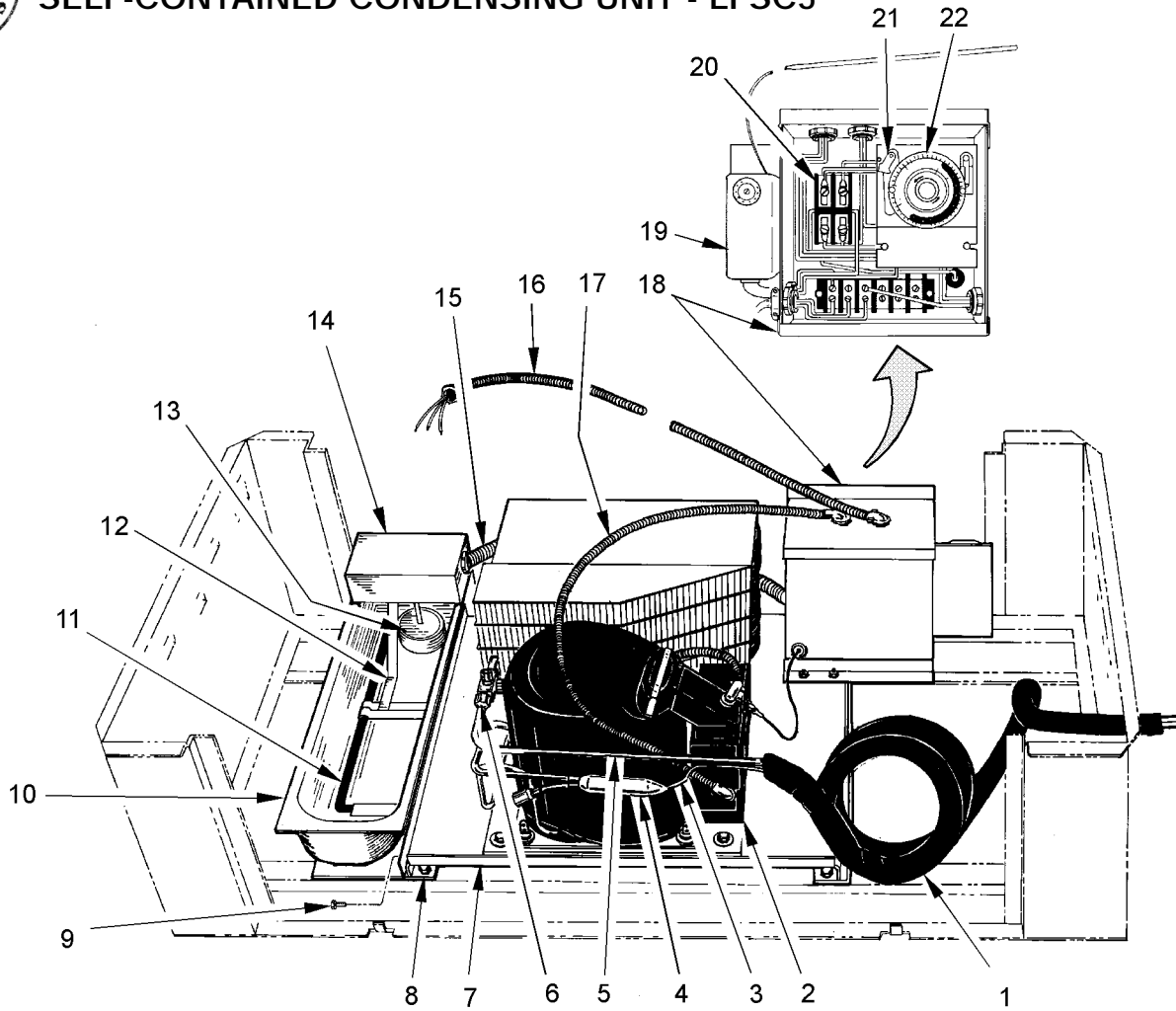
## Spot Merchandiser

Item	Part No.	Qty.	Description
1	5125211	1	Klixon Thermostat, 50/30
	5145098	1	Klixon Mounting Clip
2	5219012	2	Defrost Heater Bracket
3	5109046	1	Defrost Heater, 220V (LF5/LN5)
	5108188	1	Defrost Heater, 115V (LFSC5/LNSC5)
4	5104952	2	Heater Clip
	5104702	2	Rivet
5	5104702	2	Rivet



# REFRIGERATION SYSTEM COMPONENTS - (CONT'D)

## SELF-CONTAINED CONDENSING UNIT - LFSC5

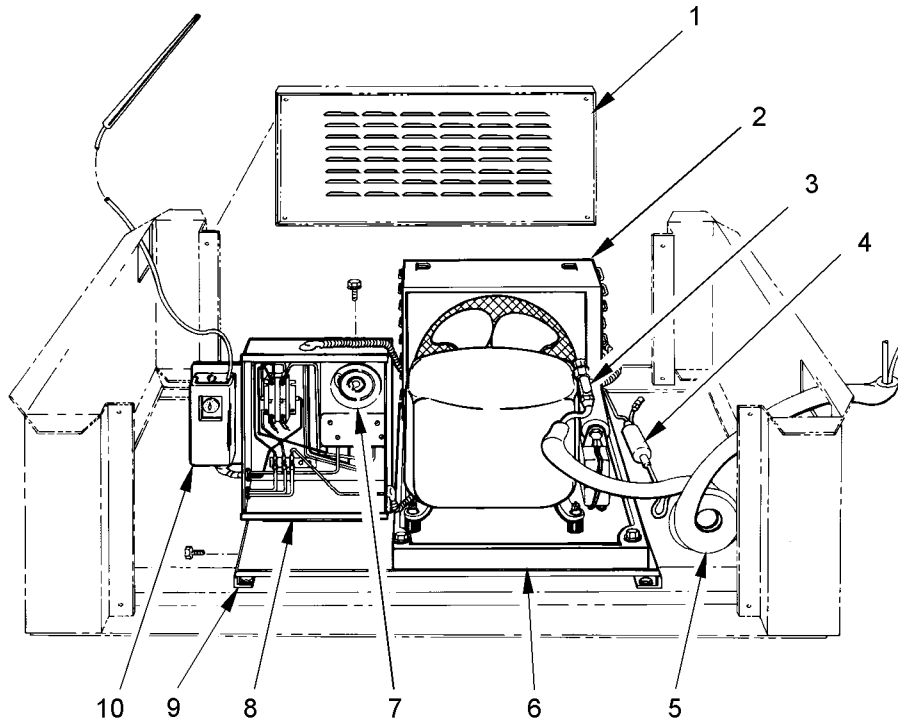


**Spot Merchandiser**

Item	Part No.	Qty.	Description	Item	Part No.	Qty.	Description
*	5932336	1	<b>Compressor Unit Assy.</b>	15	5235250	2	<b>Greenfield Wire Assy.</b>
1	5107191	A/R	Sponge Rubber Tubing		5182806	A/R	Greenfield
2	5932118	1	Condensing Unit, 3/4 HP - 115V	16	5217636	1	<b>Greenfield Wire Assy.</b>
3	5235252	1	<b>Liquid Line Assy.</b>		5056346	A/R	Greenfield
4	5996424	1	Drier, 3/8"	17	5217635	1	<b>Greenfield Wire Assy.</b>
	5928713	1	Sight Glass, 3/8"		5183390	A/R	Greenfield
5	5197932	1	Suction Tube	18	5217638	1	<b>Control Panel Assy.</b>
6	5235257	1	<b>Suction Line Assy.</b>		5960959	1	Control Box Weldment
7	5234860	1	Compressor Base		5960955	1	Control Box Cover
8	5234859	2	Compressor Base Rail		5960949	1	Contactors, 115V
9	5624278	4	Screw	19	5193888	1	Thermostat
*	5217655	1	<b>Condensate Pan Assy.</b>	20	5960949	1	Contactors, 115V
10	5217651	1	Condensate Pan Weldment		5620291	5	Terminal Block
11	5217665	1	Pan Defrost Heater, 25 Min.		5620292	1	Terminal Block End
12	5217653	1	<b>T'stat. &amp; Htr. Bracket Assy.</b>	21	5109829	1	Time Clock Base
13	5900532	1	<b>Float Assy.</b>	22	5161076	1	Defrost Control, 24 Min.
14	5224569	1	Heater Box	*	5235821	1	<b>Pressure Control Assy.</b>
	5224568	1	Heater Box Cover		5924565	1	Low Pressure Control
	5224567	1	Thermostat		5950004	1	Bracket
	5900542	1	<b>Float Switch Assy.</b>		5183536	2	Screw



REFRIGERATION SYSTEM COMPONENTS - (CONT'D)  
 SELF-CONTAINED CONDENSING UNIT - LN5C5



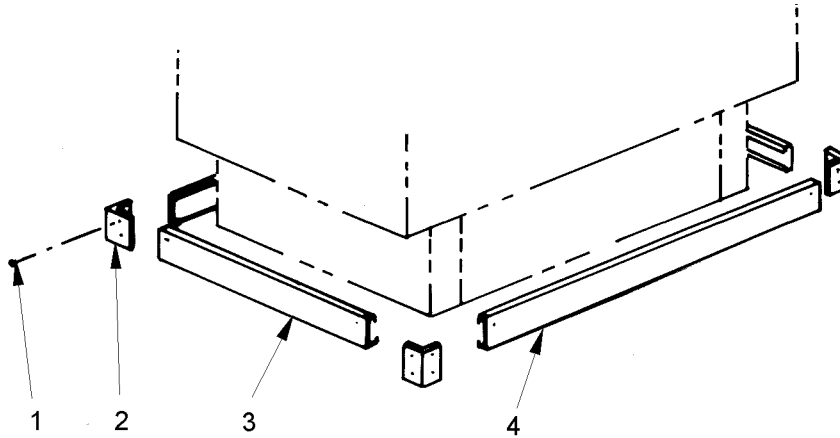
Spot Merchandiser

Item	Part No.	Qty.	Description	Item	Part No.	Qty.	Description
*	5997968	1	Compressor Unit Assy.	5960949	1	1	Contactator, 115V
1	5234863	2	Base Panel, Front & Rear	5120943	3	3	Screw
	5053985	4	Screw (2 per panel)	5102114	1	1	90° Greenfiled Connector
2	5997971	1	Condensing Unit, 115V	5126807	1	1	Anti Short
3	5960947	1	Suction Cap & Tube Assy.	5235561	1	1	Greenfiled & Wire Assy.
4	5996424	1	Drier, 3/8"	8	5960960	1	Control Box Bench Assy.
	5197845	1	Drier Clamp	5620291	5	5	Terminal Block
5	5107191	A/R	Sponge Rubber Tubing	5620292	1	1	Terminal Block End
	5998384	1	Liquid Line Assy. (receiver to drier)	5924565	1	1	Low Pressure Control
	5997967	1	Suction Line Assy. (compressor to case)	5950004	1	1	Pressure Control Bracket
6	5234860	1	Compressor Base	5183536	2	2	Screw
	5624278	4	Screw	5960955	1	1	Control Box Cover
7	5161076	1	Defrost Control, 24 Min	5960959	1	1	Control Box Weldment
	5109829	1	Timer Base	5960949	1	1	Contactator, 115V
				9	5234859	2	Base Rail
				10	5193888	1	Thermostat

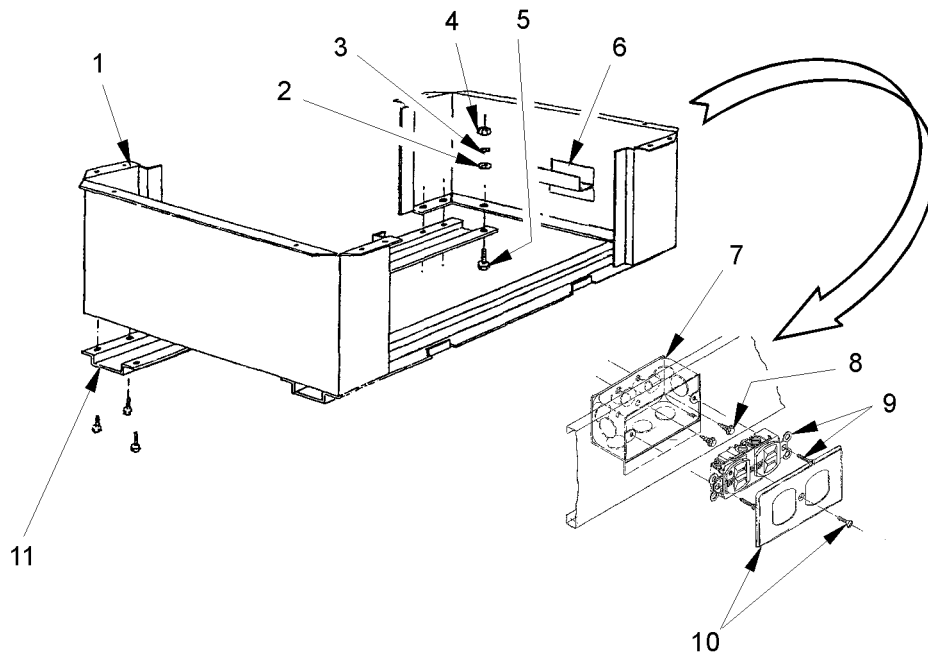


# OPTIONAL CASE ACCESSORIES

## 4' BASE TRIM AND BASE OUTLET ASSEMBLIES



Item	Part No.	Qty.	Description
*	5235654	1	4' Base Assy., S/S
1	5612692	16	Screw
2	5062999	4	Corner Trim
3	5195929	2	Front & Rear Trim
4	5234871	2	Side Trim

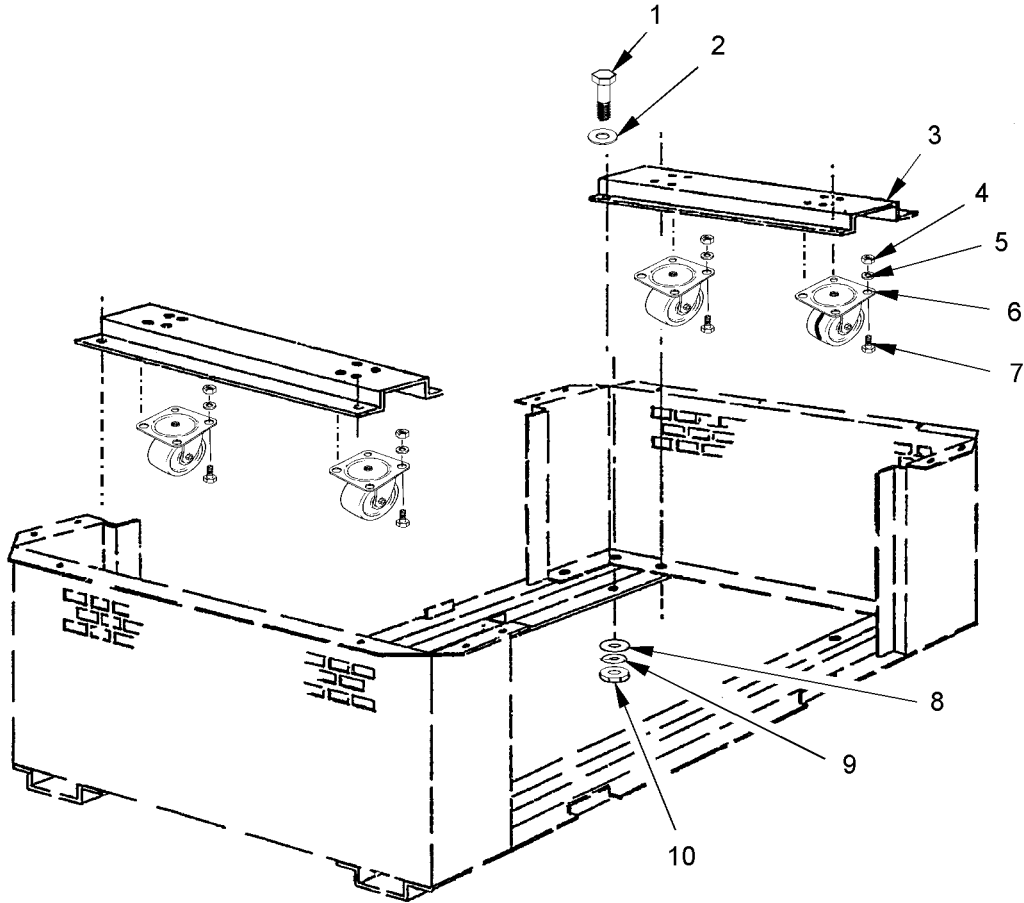


Item	Part No.	Qty.	Description
*	9030725	1	Base Assy.
1	9022763	1	Base End Panel
2	5100973	12	Washer
3	5101000	12	Lockwasher
4	5100616	12	Nut
5	5100451	12	Machine Bolt
6	9030727	1	End Panel Weld Assy. w/ Outlet Support

Item	Part No.	Qty.	Description
*	5958226	1	Electrical Outlet Assy.
7	5102187	1	Handy Box
8	5120943	2	Screw
9	5958063	1	Receptacle, Hospital Grade
10	5199744	1	Duplex Cover, S/S
11	5195810	2	Base Rail

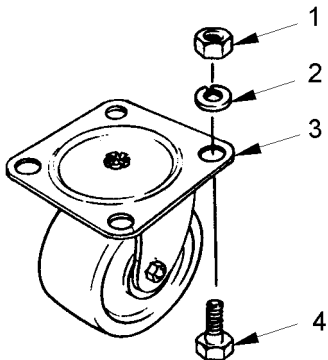


OPTIONAL CASE ACCESSORIES - (CONT'D)  
 RECESSED CASTER ASSEMBLIES AND MOBILE CASTERS



Item	Part No.	Qty.	Description
*	<b>5637455</b>	<b>1</b>	<b>Recessed Caster Assy.</b>
1	5100451	4	Machine Bolt
2	5100973	6	Washer
*	<b>5637456</b>	<b>2</b>	<b>Caster Support Assy.</b>
3	5637457	1	Support
4	5100616	8	Nut

Item	Part No.	Qty.	Description
5	5101000	8	Lockwasher
	5100973	8	Washer
6	5108186	2	Caster
7	5100746	4	Screw
8	5100973	6	Washer
9	5101000	4	Lockwasher
10	5100616	4	Nut

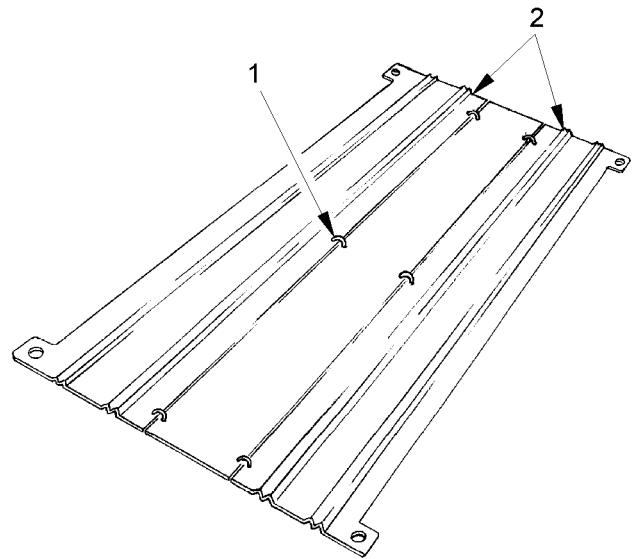
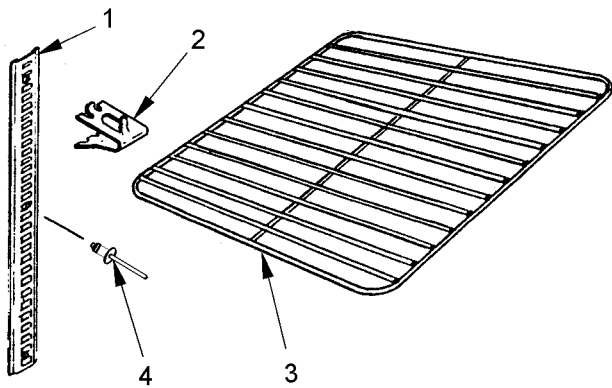


2 1/2" Swivel  
Caster Illustrated

Item	Part No.	Qty.	Description
*	<b>5036146</b>	<b>1</b>	<b>Mobile Caster, Set of 4</b>
1	5100625	16	Nut
2	5101003	16	Lockwasher
3	5108186	4	Caster, 2 1/2" Swivel
4	5100513	16	Bolt
*	<b>5231269</b>	<b>1</b>	<b>Opt. Locking Caster, 2 1/2"</b>



OPTIONAL CASE ACCESSORIES - (CONT'D)  
ELEVATING SCREEN AND NITE COVER



**Optional Elevating Screen**

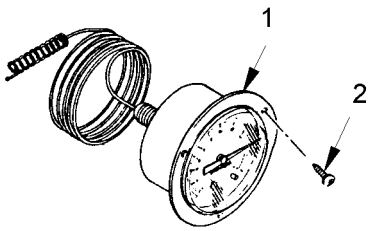
Item	Part No.	Qty.	Description
*	5215931	1	Elevating Screen w/Pilasters and Hardware
1	5215932	8	Pilaster Strip
2	5104095	8	Bracket Clip
3	5137303	2	Screen
4	5129715	2	Rivet

**Optional Nite Cover**

Item	Part No.	Qty.	Description
*	5940544	1	Nite Cover Assy.
1	5144405	3	Ring
2	5940545	2	Nite Cover

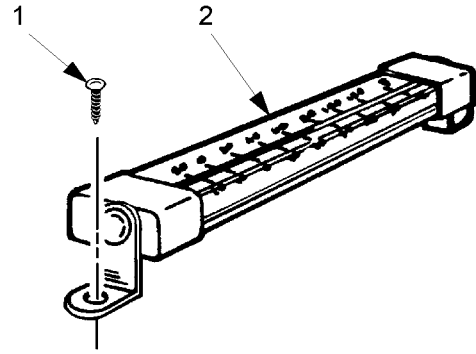


## OPTIONAL CASE ACCESSORIES - (CONT'D) THERMOMETERS



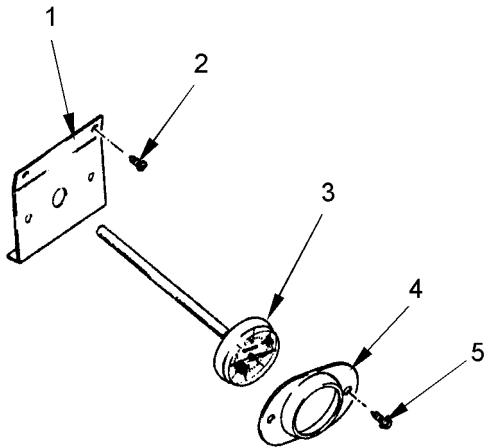
### 2" Dial Thermometer (all models)

Item	Part No.	Qty.	Description
*	5189909	1	Thermometer Assembly
1	5204006	1	2" Dial Thermometer
2	5199134	3	Screw
	5106055	A/R	Caulk, White



### Thermometer (all models)

Item	Part No.	Qty.	Description
*	5951645	1	Thermometer Assembly
1	5048626	2	Screw
2	5967100	1	Thermometer



### 1" Dial Thermometer (LFSC5)

Item	Part No.	Qty.	Description
*	5195927	1	Thermometer Assembly
1	5204516	1	Thermometer Support
2	5619204	2	Screw
3	5203829	1	1" Dial Thermometer
	----	1	Mounting Ring (furnished with thermometer)
4	5199134	2	Screw



### Hanging Thermometer (all models)

Item	Part No.	Qty.	Description
-	5093678	1	Thermometer, Hanging