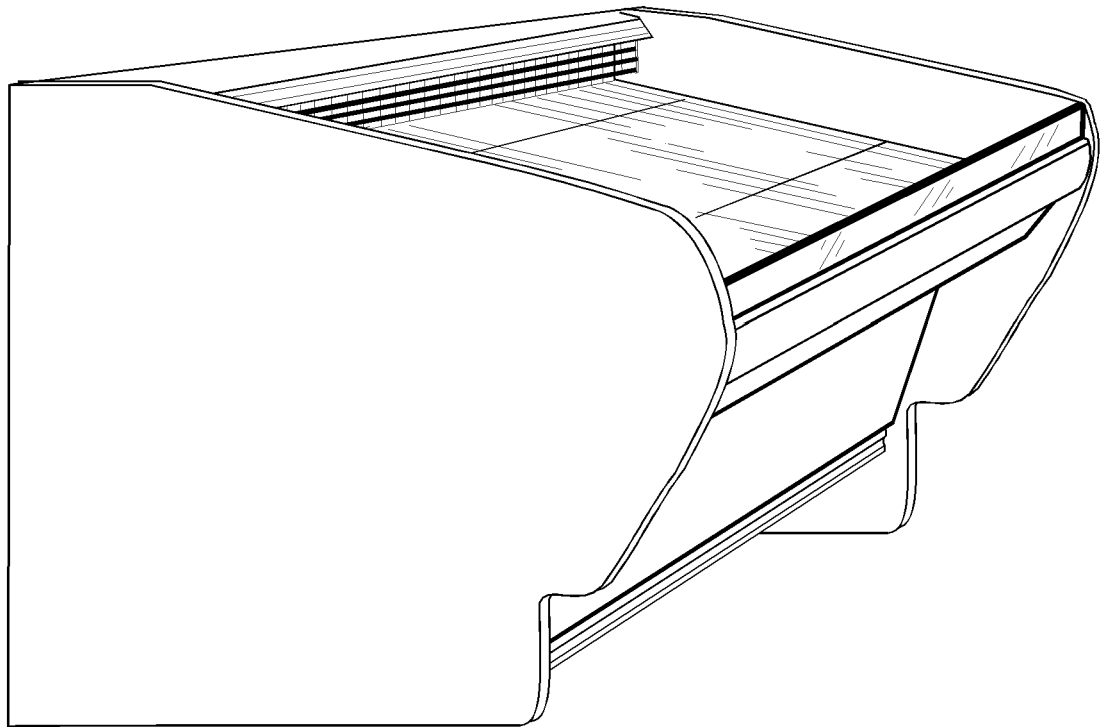


TYLER



Installation & Service Manual



LNG

SELF-SERVE CHEESE/DELI MERCHANDISERS Medium Temperature Refrigerated Display Cases

This manual has been designed to be used in conjunction with the General Installation & Service Manual.

Save the Instructions in Both Manuals for Future Reference!!

This merchandiser conforms to the Commercial Refrigeration Manufacturers Association Health and Sanitation standard CRS-S1-96.

PRINTED IN U.S.A.	Specifications subject to change without notice.	REPLACES EDITION	1/97	ISSUE DATE	7/99	PART NO.	9027547	REV.	B
-------------------	--	------------------	------	------------	------	----------	---------	------	---

CONTENTS

	<u>Page</u>
Specifications	
LNG Specification Sheets	4
Pre-Installation Responsibilities	(See General I&S Manual)
Installation Procedures	
Carpentry Procedures	6
Case Pull-Up Locations	6
Electrical Procedures	6
Plumbing Procedures	(See General I&S Manual)
Refrigeration Procedures	(See General I&S Manual)
Defrost Information	6
Defrost Control Chart	6
Installation Procedure Check Lists	(See General I&S Manual)
Wiring Diagrams	6
LNG Domestic & Export (50Hz) 6' and 8' Case Circuits	7
LNG Domestic & Export (50Hz) 12' Case Circuits	8
Cleaning and Sanitation	(See General I&S Manual)
Service Instructions	
Preventive Maintenance	(See General I&S Manual)
Front Glass Replacement	9
Fan Blade and Motor Replacement	(See General I&S Manual)
Color Band and Bumper Replacement	(See General I&S Manual)
Parts Information	
Operational Parts List	10
Cladding and Optional Trim Parts List	10
TYLER Warranty	(See General I&S Manual)

The following Medium Temperature Cheese and Deli Merchandiser models are covered in this manual:

MODELS	DESCRIPTION
LNG	6', 8' & 12' GLASS FRONT, SELF-SERVE CHEESE/DELI MERCHANDISER

SPECIFICATIONS

LNG Self-Serve Cheese/Deli Merchandiser Specification Sheets

MODEL	LNG	LNG
USAGE	CHEESE	DELI
BTUH/FT	553	681
SUCTION.°	+20F	+15F
ENTER AIR°	+28F	+25F

NOTE: FOR COMPRESSOR SIZING INFORMATION REFER TO THE "GOLD" SECTION & FOR LINE SIZING INFORMATION REFER TO THE "BUFF" SECTION OF THE TYLER SPECIFICATION GUIDE. THE ABOVE RATINGS ARE FOR COMPRESSOR SELECTION ONLY. FOR ENERGY CALCULATION DATA REFER TO THE ENERGY SECTION.

DEFROST CONTROL			PRESSURE SETTING		EPR SETTINGS	
PER DAY	MODE	TIME	CUT IN	CUT OUT	R22	R404A
2 CHEESE	TIME OFF	60 MIN.	45# @ R22	35# @ R22	43	---
			58# @ R404A	46# @ R404A	---	55
2 DELI	TIME OFF	60 MIN.	40# @ R22	30# @ R22	38	---
			52# @ R404A	40# @ R404A	---	49

CASE-TO-CASE SUCTION LINE SUB-FEED BRANCH LINE SIZING											
	6'	8'	12'	16'	20'	24'	28'	32'	36'	40'	44'
R22 CHEESE	1/2"	1/2"	1/2"	5/8"	5/8"	7/8"	7/8"	7/8"	7/8"	7/8"	7/8"
R22 DELI	1/2"	1/2"	5/8"	5/8"	7/8"	7/8"	7/8"	7/8"	7/8"	7/8"	1 1/8"

Optional 430ma Floor Lights are available. Add .7amp., 8amp., & 1.3amp. on the 6', 8' & 12' cases, respectively, for Optional Floor Lighting.

TEMPERATURE CONTROL can be achieved by a Thermostat, suitably sized EPR, or Low Pressure Control. The Discharge Air Thermostat should be set @ 28°F CUT IN/ 21°F CUT OUT; the EPR set at 43# (R22); & Low Pressure Control (see table)

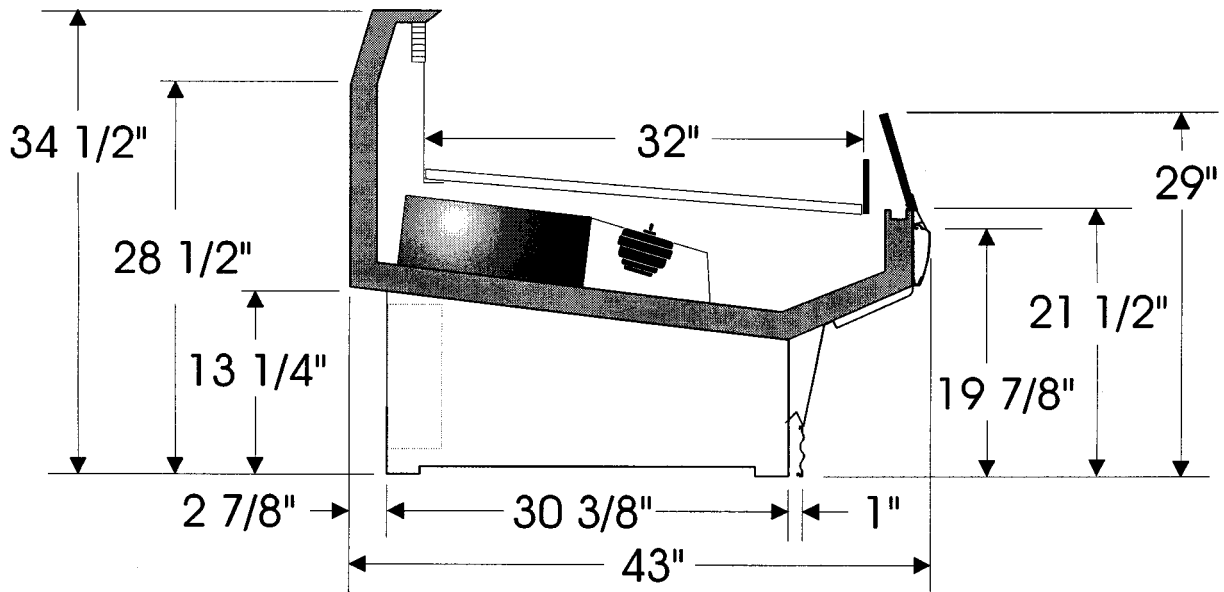
If optional Rub Rail Anti-sweat is required, a separate 120v circuit must be provided. Anti-sweat remains on constantly.

CASE BTUH REQUIREMENTS are calculated to produce approximately the indicated entering air temperature with absolute maximum operating ambient limits of **75F & 55RH**.

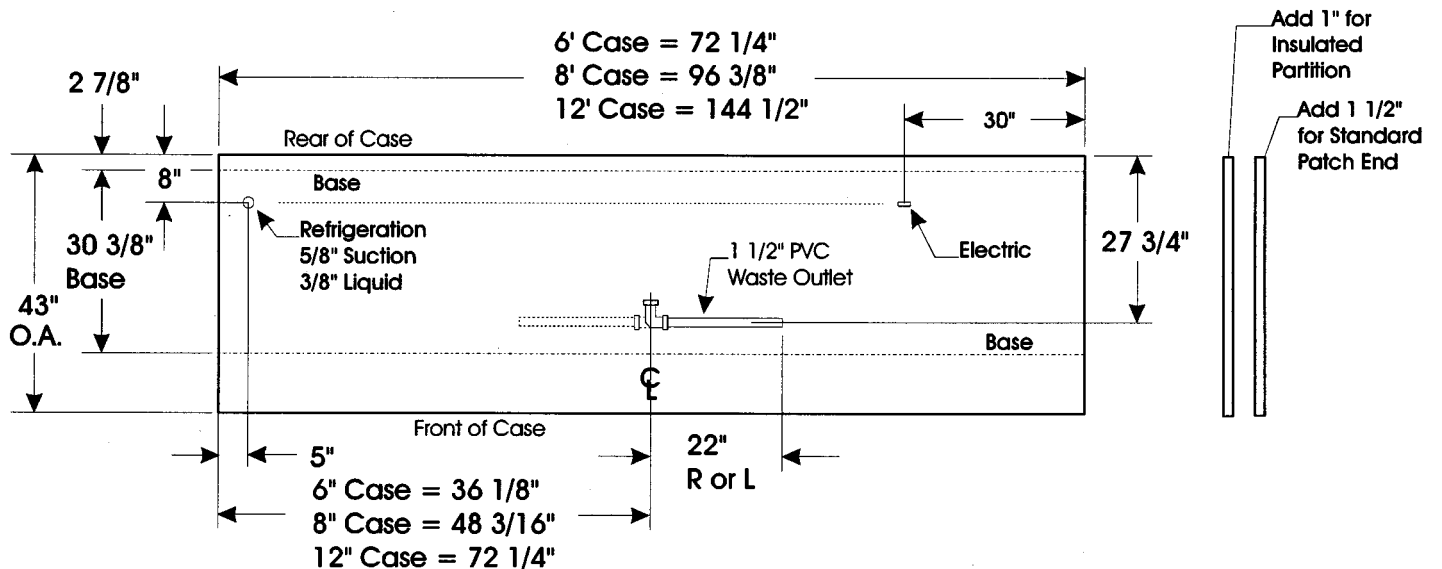
The information contained herein is based on technical data and tests which we believe to be reliable and is intended for use by persons having technical skill, at their own discretion and risk. Since conditions of use are outside Tyler's control, we can assume no liability for results obtained or damages incurred through the applications of the data presented. SPECIFICATIONS ARE SUBJECT TO CHANGE WITHOUT NOTICE.

LNG Self-Serve Cheese/Deli Merchandiser

120 VOLT ELECTRICAL DATA (AMPS)			
LENGTH	STD. FANS	ECM FANS	ANTI-SWEAT
6'	1.0	.4	0.2
8'	1.0	.4	0.3
12'	1.5	.6	0.5



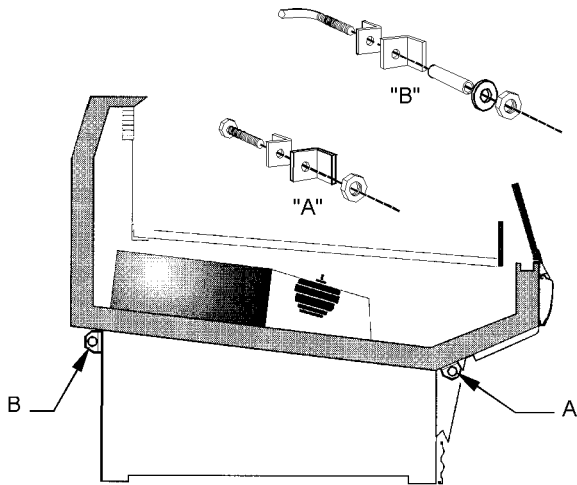
LNG CROSS SECTION AND FLOOR PLAN



INSTALLATION PROCEDURES

Carpentry Procedures

Case Pull-Up Locations



The LNG models have two pull-ups at each end of the case. Pull-ups A and B are located as shown and should be installed and tightened starting with A and finishing with B.

See "General I&S Manual" for line-up assembly instructions.

Electrical Procedures

Electrical Considerations

CAUTION

Make sure all electrical connections at components and terminal blocks are tight. This will prevent burning of electrical terminals and/or premature component failure.

NOTE

The raceway houses the electrical wiring and components for the case. Since the lower front cladding is shipped loose, the raceway has immediate access.

Case Fan Circuit

This circuit is to be supplied by an uninterrupted, protected 120V circuit. The case fan circuit is not cycled during defrost on any of these models.

Fluorescent Lamp Circuit

LNG cases do not come with any standard lighting, but offer optional T-8 floor lights.

Defrost Information

See "General I&S Manual" for operational descriptions for Off Time defrost control.

Defrost Control Chart

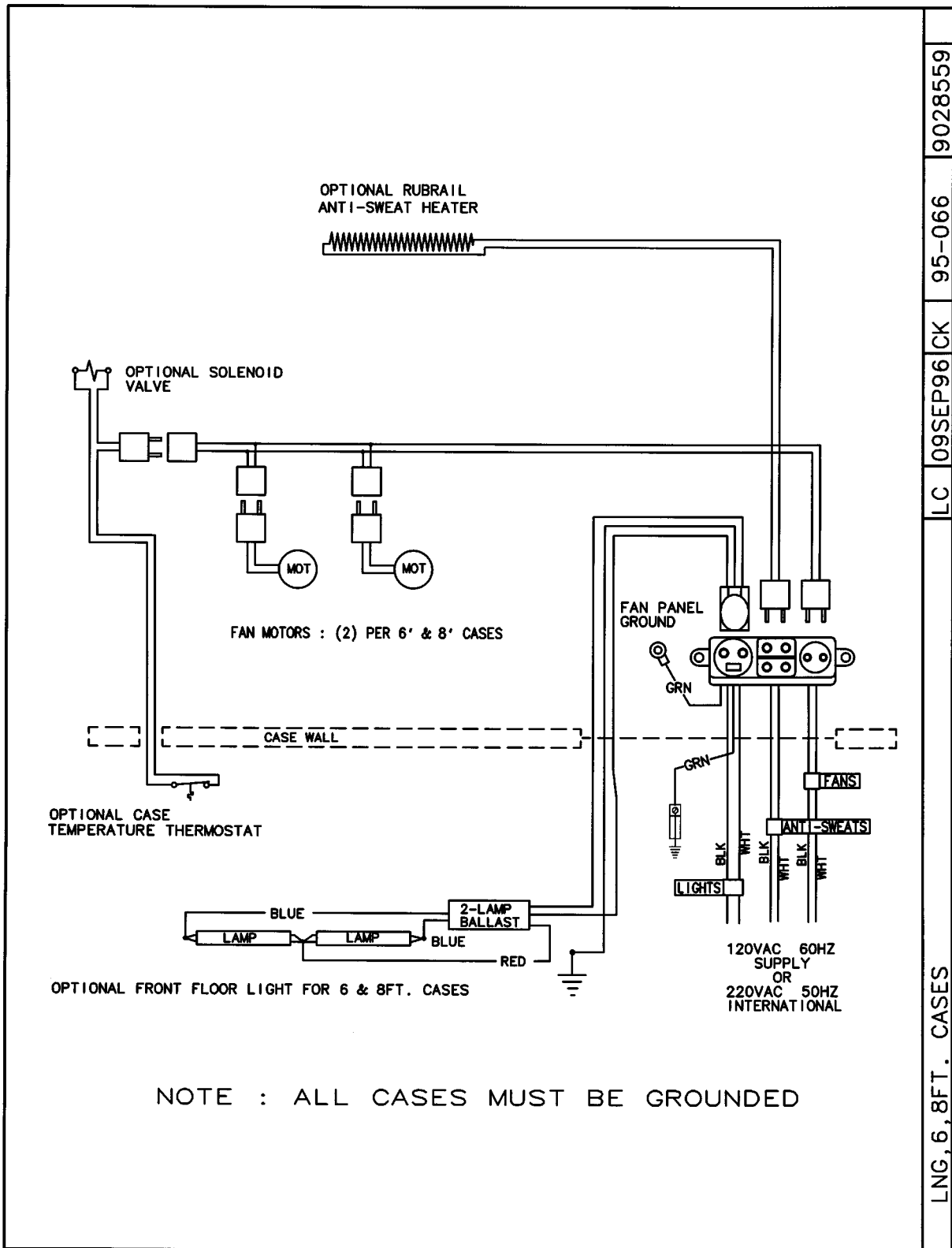
Defrost Type	Defrosts Per Day	Defrost Duration (Min)	Term. Temp.
Off Time	2	60	-----

WIRING DIAGRAMS

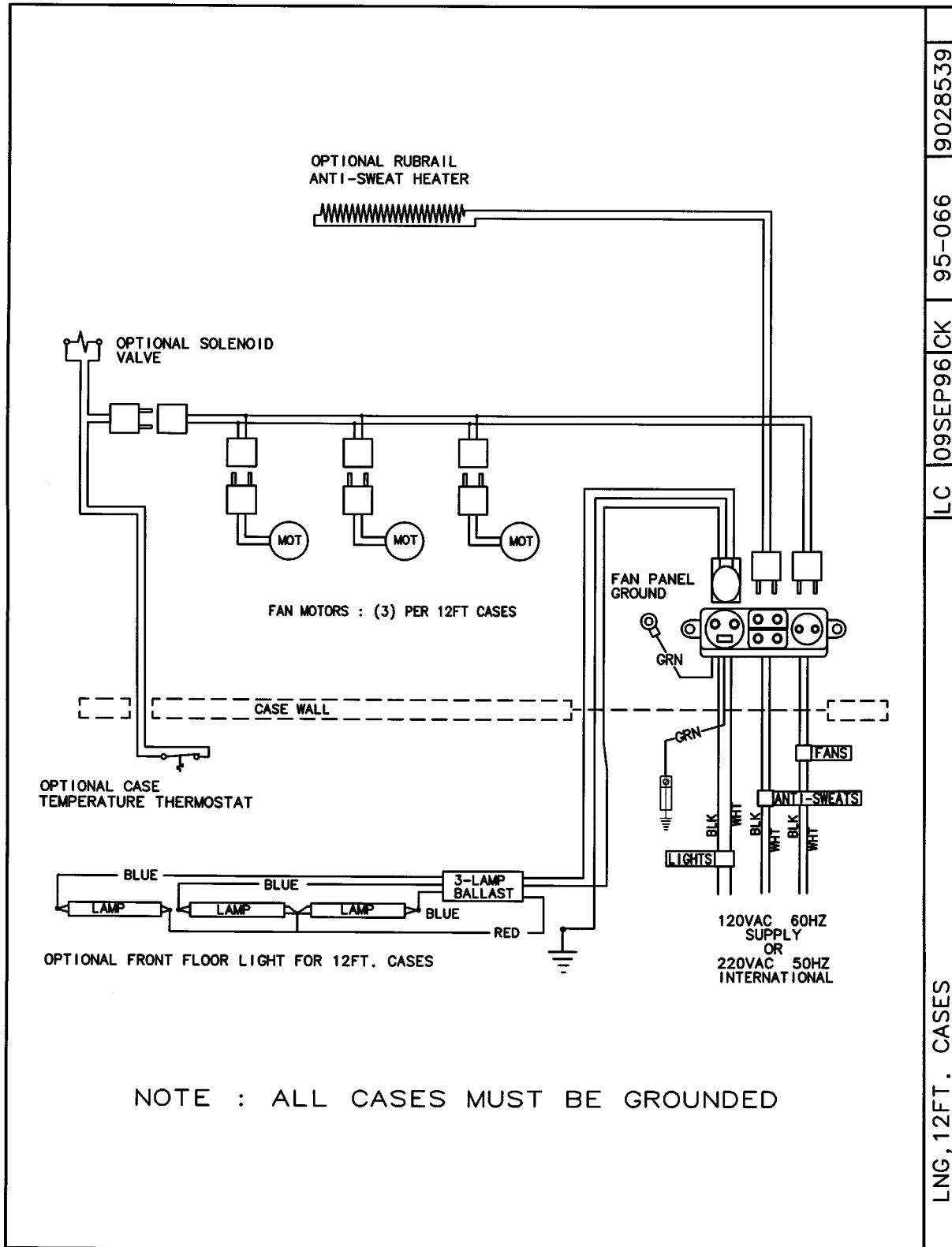
ELECTRICIAN NOTE - OVERCURRENT PROTECTION

120V circuits should be protected by 15 or 20 Amp devices per the requirements noted on the cabinet nameplate or the National Electrical Code, Canadian Electrical Code - Part 1, Section 28. 208V defrost circuits employ No. 12 AWG field wire leads for field connections. On remote cases intended for end to end line-ups, bonding for ground may rely upon the pull-up bolts.

The following wiring diagrams on pages 7 and 8 will cover the LNG case circuits. The lighting circuits are shown in the case circuits.



9028559 95-066 LC 09SEP96 CK LNG, 6, 8FT. CASES



9028539

95-066

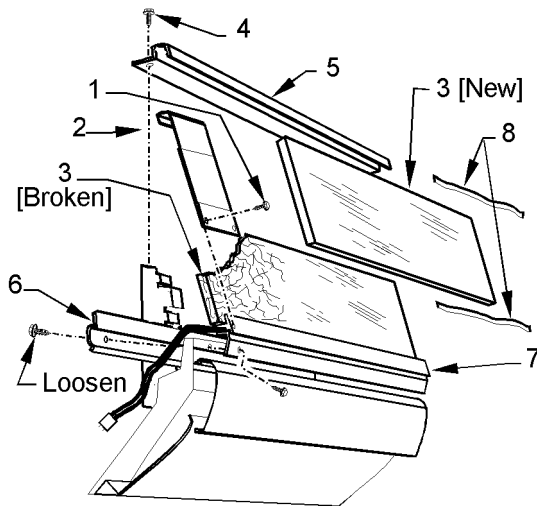
LC 09SEP96CK

LNG, 12FT. CASES

SERVICE INSTRUCTIONS

See "General I&S Manual" for fan blade & motor and color band & bumper replacement instructions.

Front Glass Replacement



1. Remove screw (1) and glass joint trim (2) from both joints of the broken glass (3).
2. Remove screws (4) and glass trim rail (5) from top of glass (3).

3. Loosen rear retainer (6) and remove broken glass (3) from glass retainer assembly (7).
4. Apply sealant tape (8) to top and bottom edge of new glass (3).
5. Position new glass (3) in glass retainer assembly (7) and secure by tightening rear retainer (6).
6. Install glass trim rail (5) with screws (4) over top edge of new glass (3).
7. Install glass joint trim (2) with screw (1) over the joint areas of glass (3).

PARTS INFORMATION**Operational Parts List**

Case Usage	Domestic			Export		
	115 Volt 60 Hertz			220 Volt 50 Hertz		
Case Size	6'	8'	12'	6'	8'	12'
Fan Motor	5125532 5 Watt	5125532 5 Watt	5125532 5 Watt	5126572 5 Watt	5126572 5 Watt	5126572 5 Watt
Fan Motor Brackets	5962269	5962269	5962269	5962269	5962269	5962269
Fan Blades (7" 20° 5B)	5960943	5960943	5960943	5960943	5960943	5960943

For information on operational parts not listed above contact the TYLER Service Parts Department.

Cladding and Optional Trim Parts List

Item Description	6'	8'	12'
1 Screw	5205439 (4)	5205439 (4)	5205439 (4)
2 Lower Shell Cover	5233044	5232958	5232959
3 Screw	5205439 (4)	5205439 (5)	5205439 (7)
4 Upper Rear Cladding	5029000	5029001	5029002
5 Rear Riser Joint Trim	5964734	5964734	5964734
6 Screw	5619204 (2)	5619204 (2)	5619204 (2)
7 Card Moulding Joint Trim	5941919	5941919	5941919
8 Rear Duct Joint Trim	5964735	5964735	5964735
9 Rivet	5104702 (4)	5104702 (4)	5104702 (4)
10 Card Moulding	5236878	5236930	5236936
11 Rivet	5104702 (5)	5104702 (6)	5104702 (8)
12 Bumper Retainer	9025052	9025058	9025061
13 Glass Joint Trim	9025959	9025959	9025959
14 Screw	5048626 (2)	5048626 (2)	5048626 (2)
15 Color Band, Painted	9025979	9025980	9025981
16 Color Band Backer, Painted	9025635	9025635	9025635
17 Bumper Backer	-----	color per order	-----
18 Bumper End Trim	-----	color per order	-----
19 Bumper	-----	color per order	-----
20 Upper Front Cladding	9025129	9025130	9025131
21 Shoulder Screw	9025833 (16)	9025833 (20)	9025833 (24)
22 Rivet	5104702 (3)	5104702 (3)	5104702 (3)
23 Lower Front Cladding	9025120	9025121	9025122

Item Description	6'	8'	12'
24 Screw	5183536 (8)	5183536 (10)	5183536 (14)
25 Kickplate	-----	color per order	-----
Kickplate Backer	9041790	9041790	9041790
26 Screw	5183536 (6)	5183536 (8)	5183536 (12)
27 Kickplate Support	9041329 (3)	9041329 (3)	9041329 (4)
28 Screw	5183536 (6)	5183536 (8)	5183536 (8)
29 LH End Close-off, Painted	9022468	9022468	9022468
RH End Close-off, Painted	9022467	9022467	9022467
30 Screw	5048626 (2)	5048626 (2)	5048626 (2)
31 Screw	5183536 (4)	5183536 (6)	5183536 (6)
32 Raceway	5233273	5233274	5233275
33 Horizontal Joint Trim	5964733	5964733	5964733

