

SPECIFICATION SHEET

• LPD MEDIUM TEMPERATURE REFRIGERATED PREPARED DISPLAY MERCHANDISERS •

Refrigeration Data:

MODEL	CASE LENGTH	CASE USAGE	CAPACITY (BTUH / FT)		EVAPORATOR (°F)	UNIT SIZING (°F)	DISCHARGE AIR		AVG. REF. CHARGE (LBS/FT)
			PARALLEL	CONVENTIONAL			TEMPERATURE (°F)	VELOCITY (FPM)	
LPD	4'/6'/8'/12'	MED TEMP	1,070*	1,167*	+15**	+13	+28	N/A***	N/A

* Capacity data listed for cases with 1 row of T-8 canopy lights and 2 rows of optional lighted shelves. Adjustments must be made to this base rating for each option installed on this case. DEDUCT 23 BTUH/FT for each row of unlighted shelves. For sizing all refrigeration equipment other than TYLER, use conventional BTUH values.

** Evaporator temperature is defined as the saturated suction temperature leaving the case.

*** Air velocity measured 1 hour after defrost at the top discharge air duct using an ALNOR JR. velometer with a scoop.

FOR SPECIFIC COMPRESSOR SIZING INFORMATION, REFER TO TYLER APPLICATIONS FOR RACK SYSTEM COMPRESSORS AND/OR THE COMPRESSOR MANUFACTURERS FOR SINGLE COMPRESSORS. FOR LINE SIZING INFORMATION, REFER TO THE MISCELLANEOUS SECTION "BUFF" IN THE TYLER SPECIFICATION GUIDE.

Electrical Data:

Fans and Heaters (120 Volt)

MODEL	CASE LENGTH	FANS / CASE	TOTAL STANDARD FANS		TOTAL ECM FANS		TOTAL ANTI-SWEATS	
			AMPS	WATTS	AMPS	WATTS	DISCHARGE AIR AMPS	WATTS
LPD	4'	1	0.34	30.2	0.22	11.0	0.45	54.0
LPD	6'	2	0.68	60.4	0.44	22.0	0.61	73.0
LPD	8'	2	1.02	90.6	0.66	33.0	0.94	113.0
LPD	12'	3	1.02	90.6	0.66	33.0	1.26	152.0

T-8 Lighting with Electronic Ballasts (120 Volt)

MODEL	CASE LENGTH	CANOPY LIGHTS*		SHELF LIGHTS - PER ROW				MAXIMUM LIGHTING (3 ROWS)	
		AMPS	WATTS	AMPS		WATTS		AMPS	WATTS
				1	2	1	2		
LPD	4'	0.35	42.0	0.35	0.50	42.0	60.0	0.85	102.0
LPD	6'	0.40	48.0	0.50	0.80	60.0	96.0	1.20	144.0
LPD	8'	0.50	60.0	0.70	1.10	84.0	132.0	1.60	192.0
LPD	12'	0.70	84.0	1.05	1.65	126.0	198.0	1.35	282.0

* Standard lighting for this case is 1 row of canopy lights.

Defrost Data:

DEFROST TYPE*	DEFROSTS PER DAY	DURATION TIME (MIN)	TERMINATION (°F)	EPR SETTINGS **		DEFROST WATER (LB / FT / DAY)
				R22 (PSIG)	R404A (PSIG)	
TIME OFF	4	30	- - -	38	50	N/A

* If an Electronic Sensor is used for termination, it should be set at 70°F termination temperature. The sensor must be located in the same location as the defrost termination klixon for that defrost type.

** Set EPR to give this pressure at the case.

DEFROST CIRCUITS: OFF CYCLE defrost is standard (use TC defrost module) – OPTIONAL ELECTRIC defrost uses a single or 3 phase circuit – OPTIONAL HOT GAS defrost uses 2 control wires @ 208V per lineup.

CASE-TO-CASE SUCTION LINE SUB-FEED BRANCH LINE SIZING														
MODEL	4'	6'	8'	12'	16'	20'	24'	28'	32'	36'	40'	44'	48'	52'
LPD / R22	1/2"	1/2"	5/8"	5/8"	7/8"	7/8"	7/8"	7/8"	1 1/8"	1 1/8"	1 1/8"	1 1/8"	1 1/8"	1 1/8"

CASE CIRCUITS: This case requires a 120V circuit for fans, lights and anti-sweat heaters.

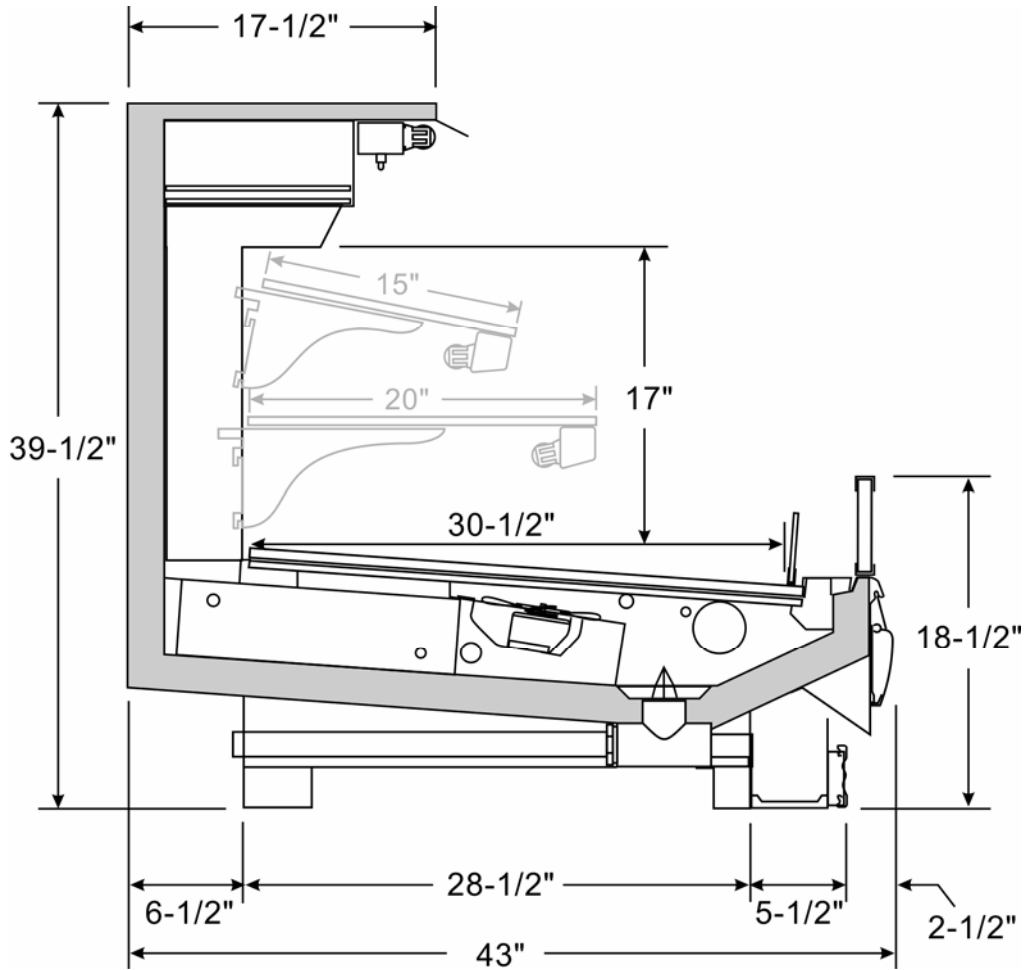
Screens are standard. Shelving must be ordered separately. All rows of shelving require a shelf gasket. Shelves are available in 12", 15", 18" and 20" deep sizes. When multiple shelf sizes are used, position smallest shelf size on top to largest shelf size on bottom.

UL SANITATION approved in accordance with ANSI/NSF - 7.

CASE BTUH REQUIREMENTS are calculated to produce approximately the indicated entering-air temperature with absolute maximum operating ambient limits of **75°F & 55RH**.

The information contained herein is based on technical analysis and/or tests performed in a controlled lab environment that are consistent with industry practices, and is intended as a reference for system sizing and configuration purposes only and for use by persons having technical skill at their own discretion and risk. Conditions of use are outside of Tyler's control and we do not assume and hereby disclaim any liability for results obtained or damages incurred through application of or reliance on the data presented, including but not limited to specific energy consumption with any particular model or installed application. SPECIFICATIONS ARE SUBJECT TO CHANGE WITHOUT NOTICE.

LPD CROSS SECTION



FLOOR PLAN

