

SPECIFICATIONS

LP Top Display Produce Merchandiser Specification Sheets

MODEL	LP	LP
USAGE	WRAPPED PRODUCE	BULK PRODUCE
BTUH/FT	425	400
SUCTION°	+20F	+20F
ENTER AIR	+34F	+37F

THE ABOVE RATINGS ARE FOR COMPRESSOR SELECTION ONLY. FOR ENERGY CALCULATION DATA REFER TO THE ENERGY SECTION.

.NOTE: FOR COMPRESSOR SIZING INFORMATION REFER TO THE "GOLD" SECTION & FOR LINE SIZING INFORMATION REFER TO THE "BUFF" SECTION OF THE TYLER SPECIFICATION GUIDE.

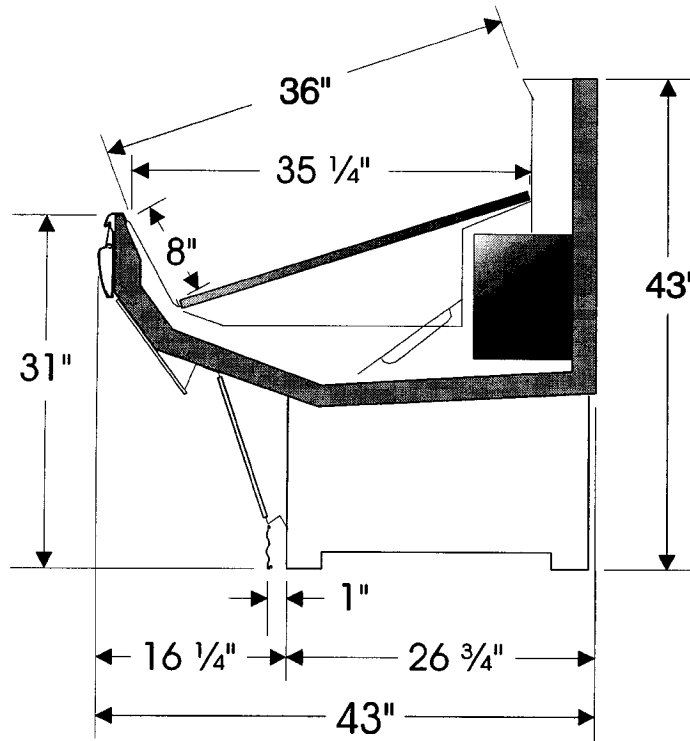
DEFROST CONTROL			PRESSURE SETTINGS		EPR SETTINGS	
PER DAY	MODE	TIME	CUT IN	CUT OUT	R22	R404A
3-4	TIME OFF	40 MIN.	65# @ R22	43-45# @ R22	45#	---
			81# @ 404A	55-58# @ 404A	---	58#

CASE-TO-CASE SUCTION LINE SUB-FEED BRANCH LINE SIZING														
	8'	12'	16'	20'	24'	28'	32'	36'	40'	44'	48'	52'	56'	60'
R22 WRAP	1/2"	1/2"	1/2"	5/8"	5/8"	5/8"	7/8"	7/8"	7/8"	7/8"	7/8"	7/8"	7/8"	7/8"
R22 BULK	1/2"	1/2"	1/2"	5/8"	5/8"	5/8"	7/8"	7/8"	7/8"	7/8"	7/8"	7/8"	7/8"	7/8"

CASE BTUH REQUIREMENTS are calculated to produce approximately the indicated entering air temperature with absolute maximum operating ambient limits of **75F & 55RH**.

The information contained herein is based on technical data and tests which we believe to be reliable and is intended for use by persons having technical skill, at their own discretion and risk. Since conditions of use are outside Tyler's control, we can assume no liability for results obtained or damages incurred through the applications of the data presented. SPECIFICATIONS ARE SUBJECT TO CHANGE WITHOUT NOTICE.

LP Top Display Produce Merchandiser



120 VOLT ELECTRICAL DATA (AMPS)		
LENGTH	STD. FANS	ECM FANS
8'	1.2	.4
12'	1.8	.6

120 VOLT LIGHTING DATA (AMPS)		
LENGTH	OPT. 1 ROW CANOPY LIGHTS	OPT. 2 ROW CANOPY LIGHTS
8'	0.8	1.6
12'	1.3	2.4

