

LVM/LVF SERVICE MEAT/FISH MERCHANDISER W/GRAVITY COIL LVD SERVICE DELI MERCHANDISER W/FORCED AIR COIL

MODEL	LVM/LVF	LVM/LVF	LVF	LVD	LVD
USAGE	SINGLE UNIT GRAVITY MEAT/FISH	PARALLEL SYSTEM GRAVITY MEAT/FISH	ICED DISPLAY GRAVITY FISH	SINGLE UNIT FORCED AIR DELI	PARALLEL SYSTEM FORCED AIR DELI
BTUH/FT	278	185	150	425	283
SUCTION°	+20F	+15F	+20F	+25F	+20F

THE ABOVE RATINGS ARE FOR COMPRESSOR SELECTION ONLY. FOR ENERGY CALCULATION DATA REFER TO THE ENERGY SECTION.

NOTE: FOR COMPRESSOR SIZING INFORMATION REFER TO THE "GOLD" SECTION & FOR LINE SIZING INFORMATION REFER TO THE "BUFF" SECTION OF THE TYLER SPECIFICATION GUIDE.

CASE-TO-CASE SUCTION LINE SUB-FEED BRANCH LINE SIZING												
R22 SINGLE GRAVITY	3/8"	3/8"	1/2"	1/2"	1/2"	1/2"	5/8"	5/8"	5/8"	5/8"	5/8"	7/8"
R22 PARALLEL GRAVITY	3/8"	3/8"	3/8"	3/8"	1/2"	1/2"	1/2"	1/2"	5/8"	5/8"	5/8"	5/8"
R22 SINGLE FORCED AIR	3/8"	1/2"	1/2"	1/2"	5/8"	5/8"	5/8"	7/8"	7/8"	7/8"	7/8"	7/8"
R22 PARALLEL FORCED AIR	3/8"	3/8"	1/2"	1/2"	1/2"	1/2"	5/8"	5/8"	5/8"	5/8"	7/8"	7/8"

DEFROST CONTROL					EPR SETTINGS	
PER DAY	MODE	TIME	CUT IN	CUT OUT	R22	R404A
1 GRAVITY	TIME OFF	110 MIN.	41# @ R22	32# @ R22	34#	---
1 FORCED AIR	TIME OFF	60 MIN.	53# @ R404A	42# @ R404A	---	44#

CONVENIENCE OUTLET CIRCUIT: One single convenience outlet is on the back of the 6' case and two single convenience outlets are on the back of the 8' & 12' cases. Plan suitable 15A circuits for these 120v outlets.

An evaporator Pressure Regulator should be installed on each system to aid in temperature control. Set the EPR for 34 PSIG (R-22)

Shelves in Gravity Coil cases disrupt air flow and can compromise performance. Shelves work better in Blower style cases.

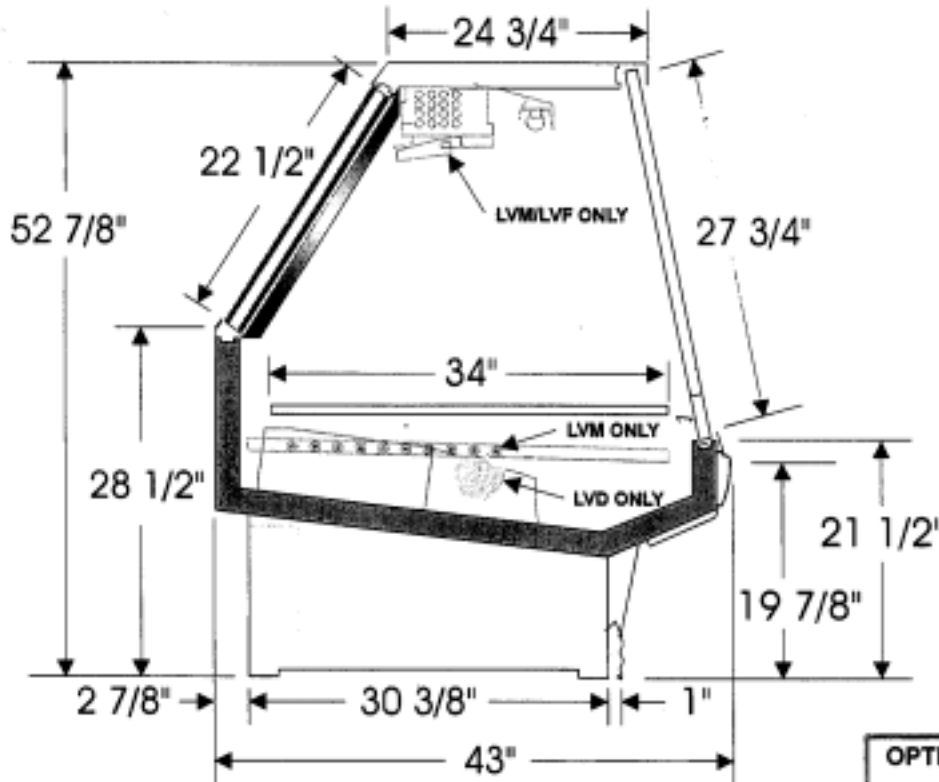
Pressure Control Settings shown in the above table are for backup purposes only. The actual temperature control should be set by the thermostat. LVM setting for this case = CUT IN @ 29F and CUT OUT @ 19F. LVF setting for this case = CUT IN @ 34F and CUT OUT @ 33F.

CASE BTUH REQUIREMENTS are calculated to produce approximately the indicated entering air temperature with absolute maximum operating ambient limits of **75F & 55RH**.

The information contained herein is based on technical data and tests which we believe to be reliable and is intended for use by persons having technical skill, at their own discretion and risk. Since conditions of use are outside Tyler's control, we can assume no liability for results obtained or damages incurred through the applications of the data presented. SPECIFICATIONS ARE SUBJECT TO CHANGE WITHOUT NOTICE.

Case VENTURA 5.0 - LVM(FD).PUB

LVM/LVF SERVICE MEAT/FISH MERCHANDISER W/GRAVITY COIL
LVD SERVICE DELI MERCHANDISER W/FORCED AIR COIL

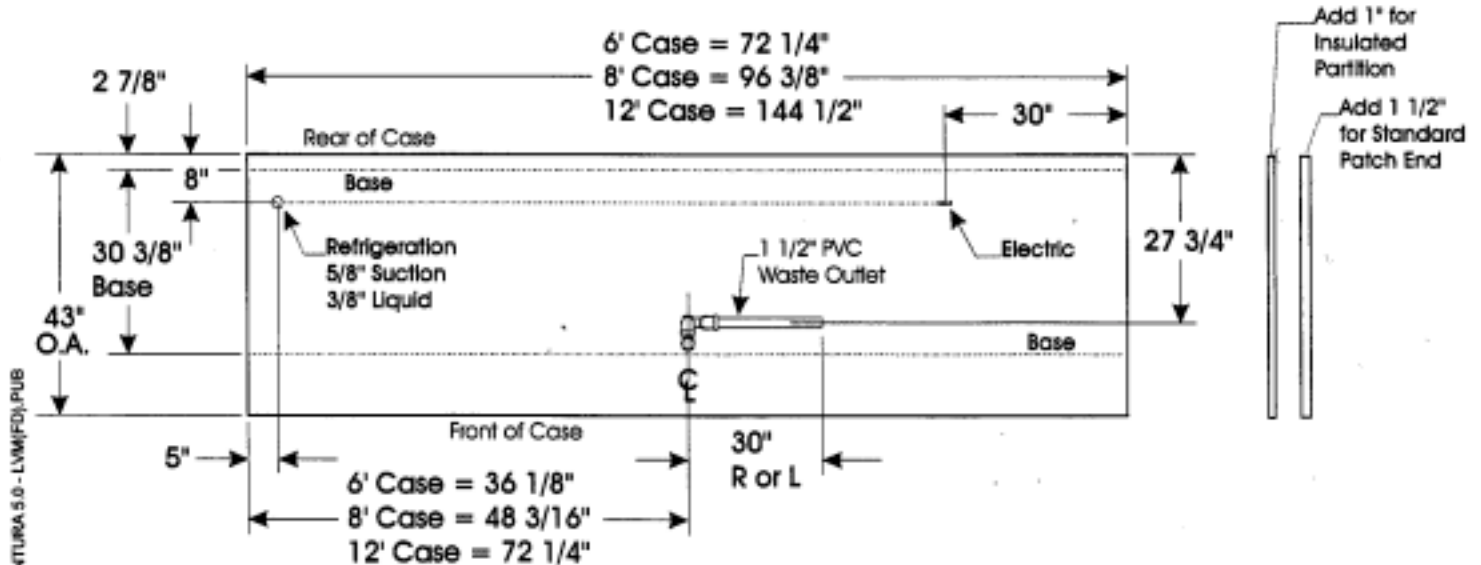


120 VOLT ELECTRICAL DATA (AMPS)		
FT	STD FANS (LVD)	ECM FANS (LVD)
6	1.0	.4
8	1.0	.4
12	1.5	.6

STANDARD 120 VOLT LIGHTING (AMPS) T-8/ ELECTRONIC BALLASTS (CANOPY)			
ROW	6'	8'	12'
1	.5	.6	.9
2	1.0	1.2	1.8
OPTIONAL FLOOR LIGHT			
1	.5	.6	.9

OPTIONAL 120 VOLT LIGHTING (AMPS) T-8/ ELECTRONIC BALLASTS (MEZZANINE)			
ROW	6'	8'	12'
1	.5	.6	.9
2	1.0	1.2	1.8

FLOOR PLAN



Case VENTURA 5.0 - LVM(LVF).PUB