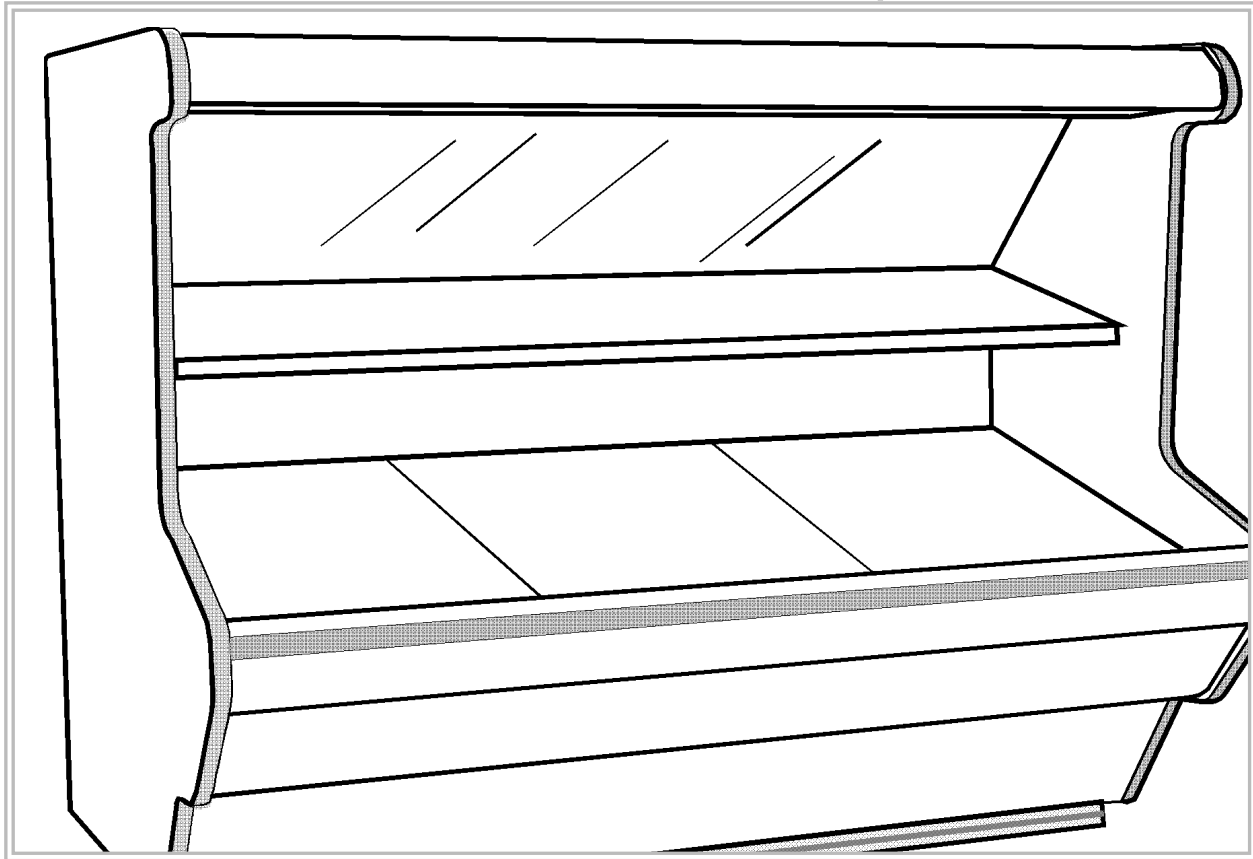


Replacement Parts ^{series} Advantage



Single Deck and Multi-Shelf Produce Merchandiser

Production began October 27, 2000

9000557	N4PD8	Med-Temp	8' 4-Deck Produce Dry Merchandiser
9000558	N4PD12	Med-Temp	12' 4-Deck Produce Dry Merchandiser
9000602	N1P8	Med-Temp	8' Single Deck Produce Merchandiser
9000603	N1P12	Med-Temp	12' Single Deck Produce Merchandiser
9000604	N4P8	Med-Temp	8' 4-Deck Produce Merchandiser
9000605	N4P12	Med-Temp	12' 4-Deck Produce Merchandiser

N1P • N4P • N4PD



Issue date: OCTOBER 2000

Replaces issue:

Part number: 9037190

Revision:

Tyler Refrigeration Corporation Niles, MI 49120
Parts information subject to change without notice
Printed in U.S.A.



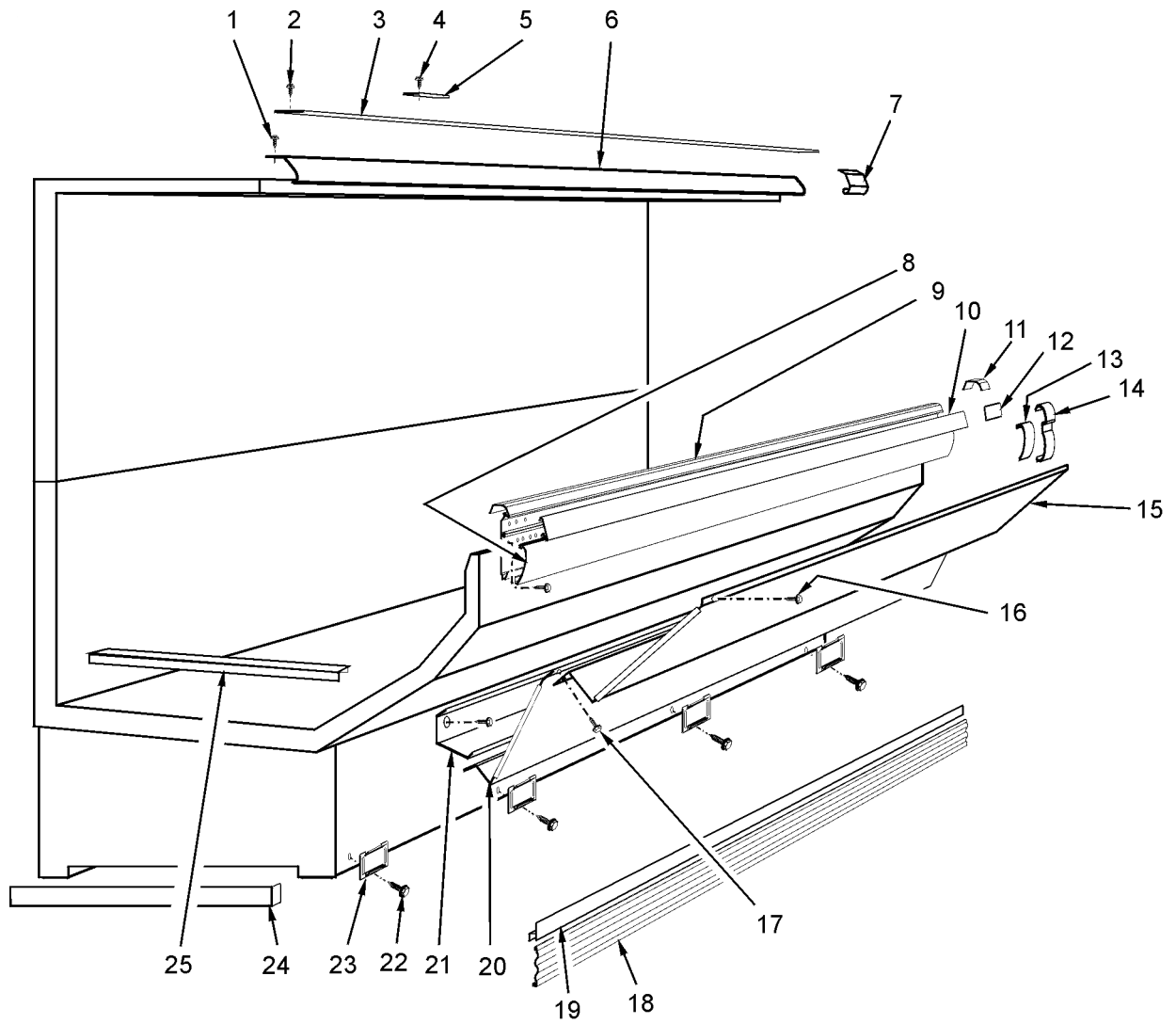
CONTENTS

	<u>Page</u>
Cladding, Covers and Trims	C1-C3
 Structural Components	
Top Shelf	S1
Canopy Light	S2
Ducts and Panels	S3
Z-Bars	S4
Patch Ends, Partitions and Dividers	
Solid Patch Ends	S5-S12
1" Solid Partition	S13
Floating Plexiglas Divider	S14
Optional Produce Extender	S15, S16
 Electrical System Components	
Wiring Harnesses	
Wiring and Components	E1
Fan Systems (N1P/N4P)	E2
 Refrigeration System Components	
Coil Assemblies (N1P/N4P)	R1
 Optional Case Accessories	
Shelf Assemblies (N4P/N4PD)	A1, A2
T-8 Shelf Light Assembly (N4P/N4PD)	A3
Mirror Assemblies	A4
Convertible Mirror Assemblies (N4P/N4PD)	A5
Water Station (N1P/N4P)	A6
Screens, Dividers, Fences and Trays	A7-A9
Thermometers	A10
Standard Case Thermometer	A11
Thermostats	A12, A13



CLADDING, COVERS AND TRIMS

N1P/N4P/N4PD



8' and 12' Merchandiser

Item	Part No.	Quantity		Description	Item	Part No.	Quantity		Description
		8'	12'				8'	12'	
1	5183536	4	6	Screw	14	+	1	1	Bumper End Trim
2	5183536	5	7	Screw	15	9025201	1	-	Upper Front Cladding, Ptd.
3	9026069	1	-	Hood Close-off		9025202	-	1	Upper Front Cladding, Ptd.
	9026070	-	1	Hood Close-off	16	5048626	3	3	Screw
4	5183536	8	8	Screw	17	5183536	6	8	Screw
5	9026103	2	2	Top Pullup Cover	18	+	1	1	Kickplate
6	9025223	1	-	Canopy Hood, Ptd.		9041790	1	1	Kickplate Backer
	9025224	-	1	Canopy Hood, Ptd.	19	+	1	1	Kickplate Extension [Optional]
7	9025983	1	1	Canopy Hood Backer	20	9025203	1	-	Lower Front Cladding, Ptd.
	5199134	4	4	Screw		9025204	-	1	Lower Front Cladding, Ptd.
8	+	1	1	Bumper	21	9025127	1	-	Raceway
9	+	1	1	Bumper Retainer		9025128	-	1	Raceway
	9025833	16	24	Screw	22	5183536	8	8	Screw
10	9023798	1	-	Color Band, Ptd.	23	9041329	4	4	Kickplate Support
	9023800	-	1	Color Band, Ptd.	24	9022459	1	1	LH End Base Close-off
11	9025316	1	1	Bumper Retainer Backer, Ptd.		9022466	1	1	RH End Base Close-off
12	9040223	1	1	Color Band Backer, Ptd		5048626	6	6	Screw
13	+	1	1	Bumper Backer	25	9025959	1	1	Horizontal Joint Trim

+ See pages C2 and C3 for parts breakdown per color.



CLADDING, COVERS AND TRIMS - (CONT'D)

N1P/N4P/N4PD - 8'

Bumper Retainer [Item 9]
Without Partition
(96.062"):

Part No.	Color
9025421	Pearly Gates
9025491	White
9025504	Bone White
9025517	Misty Gray
9025530	Pearl
9025543	Oatmeal
9025557	Soft Sand
9025570	Chromium
9025583	Cool Gray
9025596	Oyster
9025609	Black
9028935	Steel Gray
9031792	Chocolate
9031819	Mocha
9031873	Stone

With Partition
(97.062"):

Part No.
9301760
9026949
9026950
9026951
9026952
9026953
9026954
9026955
9026956
9026957
9026958
9028937
9031794
9031821
9031875

Bumper End Trim [Item 14]

Part No.	Color
9027220	White
9027221	Bone White
9027222	Misty Gray
9027223	Pearl
9027224	Oatmeal
9027225	Soft Sand
9027226	Chromium
9027227	Cool Gray
9027228	Oyster
9027229	Black
9028882	Steel Gray
9029093	Pearly Gates
9034333	Chocolate
9034334	Mocha
9034335	Stone
9023195	RH Bmpr Pusher Brkt
9028082	LH Bmpr Pusher Brkt
5053985	Screw (2 per brkt)

Bumper Backer [Item 13]

Part No.	Color
9025023	White
9025028	Bone White
9025035	Misty Gray
9025038	Pearl
9025041	Oatmeal
9025079	Pearly Gates
9025253	Soft Sand
9025258	Chromium
9025265	Cool Gray
9025268	Oyster
9025271	Black
9028883	Steel Gray
9031884	Chocolate
9031885	Mocha
9031886	Stone

Bumper [Item 8]
Without Partition
(96.062"):

Part No.	Color
9025036	White
9025067	Pearly Gates
9025266	Bone White
9025287	Misty Gray
9025308	Pearl
9025329	Oatmeal
9025350	Soft Sand
9025371	Chromium
9025392	Cool Gray
9025413	Oyster
9025434	Black
9028905	Steel Gray
9031687	Chocolate
9031724	Mocha
9031761	Stone

With Partition
(97.062"):

Part No.
9027179
9301745
9027180
9027181
9027182
9027183
9027184
9027185
9027186
9027187
9027188
9028907
9031689
9031726
9031763

Optional Kickplate Extension [Item 19]

Without Partition (96.063") With Partition (97.063")

Part No.	Color	Part No.
9042868	Cool Gray	9042876
9042869	Black	9042877
9042870	Pearl	9042878
9042871	Steel Gray	9042879

Kickplate [Item 18]

Without Partition (96.063")

Part No.	Color
9041690	Cool Gray
9041691	Black
9041692	Pearl
9041694	Steel Gray

With Partition (97.063")

Part No.
9041700
9041701
9041702
9041704



CLADDING, COVERS AND TRIMS - (CONT'D)

N1P/N4P/N4PD - 12'

Bumper Retainer [Item 9] Without Partition (144.062"):

Part No.	Color
9025426	Pearly Gates
9025493	White
9025506	Bone White
9025519	Misty Gray
9025532	Pearl
9025545	Oatmeal
9025559	Soft Sand
9025572	Chromium
9025585	Cool Gray
9025598	Oyster
9025611	Black
9028940	Steel Gray
9031797	Chocolate
9031824	Mocha
9031878	Stone

With Partition (145.062"):

Part No.
9301761
9026969
9026970
9026971
9026972
9026973
9026974
9026975
9026976
9026977
9026978
9028942
9031799
9031826
9031880

Bumper End Trim [Item 14]

Part No.	Color
9027220	White
9027221	Bone White
9027222	Misty Gray
9027223	Pearl
9027224	Oatmeal
9027225	Soft Sand
9027226	Chromium
9027227	Cool Gray
9027228	Oyster
9027229	Black
9028882	Steel Gray
9029093	Pearly Gates
9034333	Chocolate
9034334	Mocha
9034335	Stone
9023195	RH Bmpr Pusher Brkt
9028082	LH Bmpr Pusher Brkt
5053985	Screw (2 per brkt)

Bumper Backer [Item 13]

Part No.	Color
9025023	White
9025028	Bone White
9025035	Misty Gray
9025038	Pearl
9025041	Oatmeal
9025079	Pearly Gates
9025253	Soft Sand
9025258	Chromium
9025265	Cool Gray
9025268	Oyster
9025271	Black
9028883	Steel Gray
9031884	Chocolate
9031885	Mocha
9031886	Stone

Bumper [Item 8] Without Partition (144.062"):

Part No.	Color
9025039	White
9025068	Pearly Gates
9025269	Bone White
9025290	Misty Gray
9025311	Pearl
9025332	Oatmeal
9025353	Soft Sand
9025374	Chromium
9025395	Cool Gray
9025416	Oyster
9025437	Black
9028912	Steel Gray
9031695	Chocolate
9031732	Mocha
9031796	Stone

With Partition (145.062"):

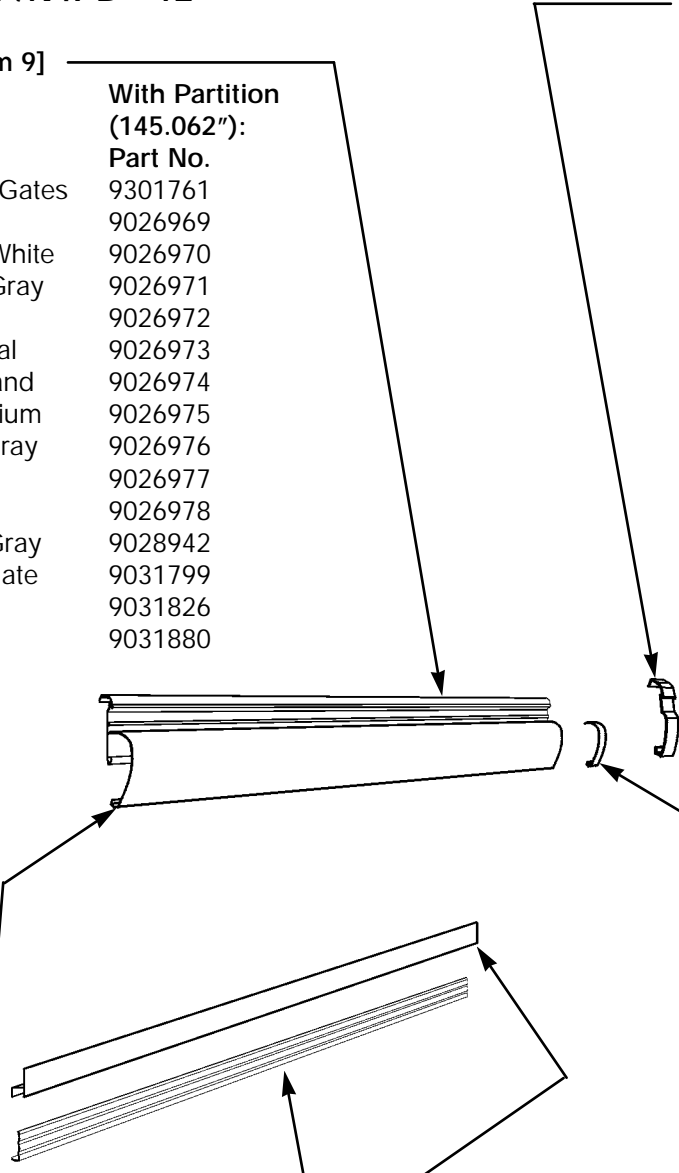
Part No.
9027199
9301747
9027200
9027201
9027202
9027203
9027204
9027205
9027206
9027207
9027208
9028914
9031697
9031734
9031771

Optional Kickplate Extension [Item 19]

Without Partition (144.063")		With Partition (145.063")	
Part No.	Color	Part No.	Color
9042896	Cool Gray	9042904	
9042897	Black	9042905	
9042898	Pearl	9042906	
9042899	Steel Gray	9042907	

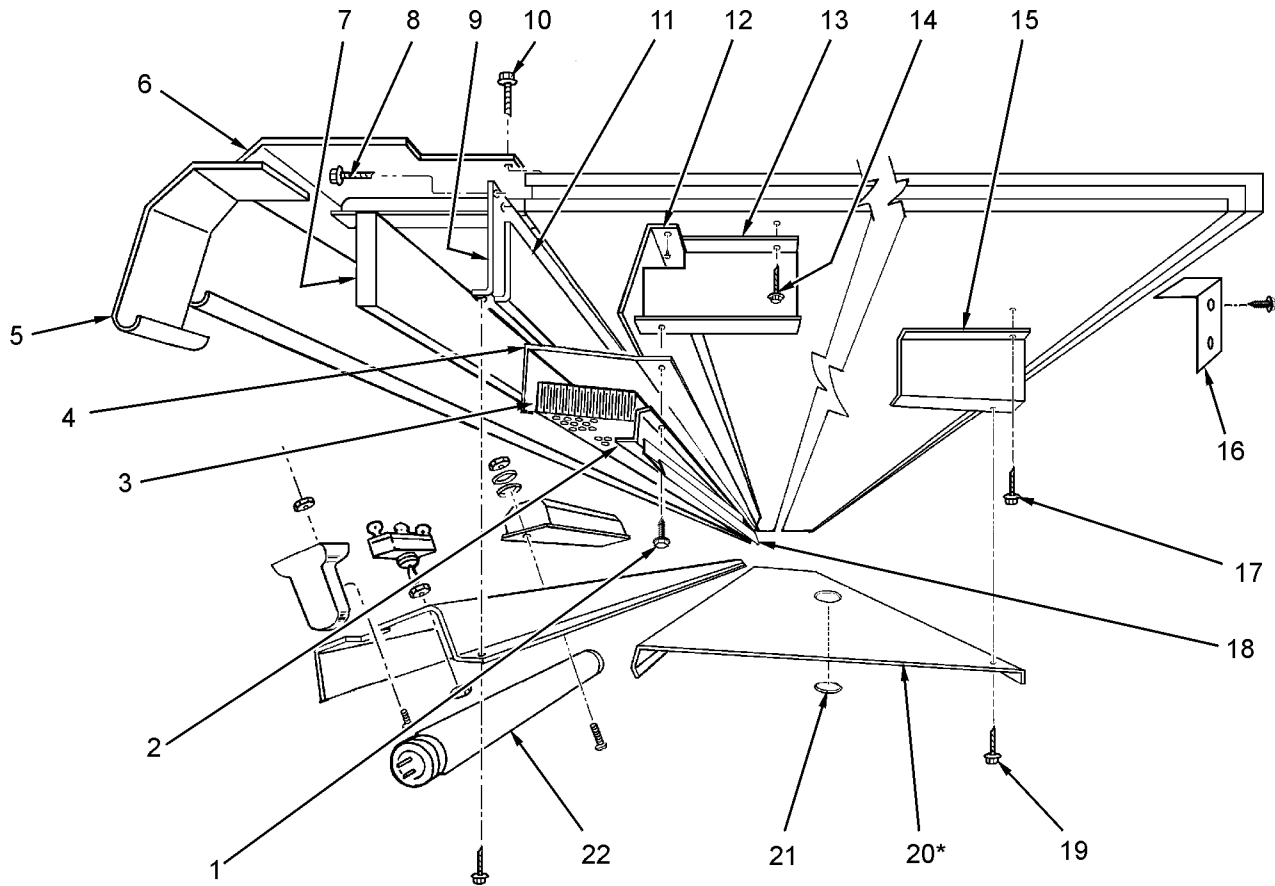
Kickplate [Item 18]

Without Partition (144.063")		With Partition (145.063")	
Part No.	Color	Part No.	Color
9041730	Cool Gray	9041740	
9041731	Black	9041741	
9041732	Pearl	9041742	
9041734	Steel Gray	9041744	





STRUCTURAL COMPONENTS TOP SHELF - N1P/N4P/N4PD



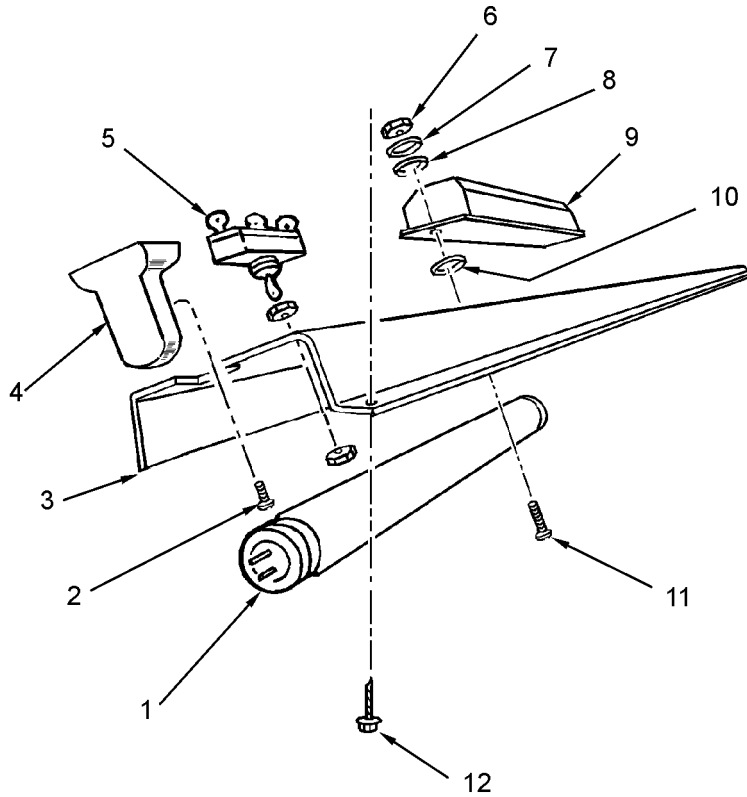
* See Light Channel Assembly Page
for parts itemization

8' and 12' Merchandiser

Item	Part No.	Quantity		Description	Item	Part No.	Quantity		Description
		8'	12'				8'	12'	
1	5619204	7	9	Screw	5127438	9	13	Air Deflector Spacer	
2	5190239	1	-	Rear Grid Retainer	5053985	9	13	Screw	
	5190240	-	1	Rear Grid Retainer	13	5200164	5	7	Air Deflector Support
3	5199297	2	3	Grid	14	5183536	10	14	Screw
4	5190241	1	-	Air Deflector & Retainer	15	5200224	2	3	Rear Z-Bar
	5190242	-	1	Air Deflector & Retainer	16	5621247	2	2	Center Tie Strap
5	9025983	1	1	Canopy Hood Backer, Ptd.	5183536	4	4	Screw	
	5199134	4	4	Screw	17	5183536	4	6	Screw
6	9025223	1	-	Canopy Hood, Ptd.	18	9037524	1	-	Mirror Support
	9025224	-	1	Canopy Hood, Ptd.	9037525	-	1	Mirror Support	
	9026103	2	2	End Cover	19	5619204	10	14	Screw
7	5186730	2	3	Front Hood Filler	20	9037521	1	-	Top Duct
8	5183536	9	13	Screw	9037522	-	1	Top Duct	
9	9025997	1	-	Light Channel Support	21	5238710	1	1	Plug Button
	9025998	-	1	Light Channel Support	5646033	2	2	Access Cover	
10	5183536	4	6	Screw	5048626	4	4	Screw	
11	5186737	A/R	A/R	Ethofoam Gasket	22	9043586	1	-	Light Channel Assy.
12	5198863	1	-	Air Deflector	9043585	-	1	Light Channel Assy.	
	5198864	-	1	Air Deflector					



STRUCTURAL COMPONENTS - (CONT'D)
 TOP SHELF - N1P/N4P/N4PD
 Canopy Light Assembly

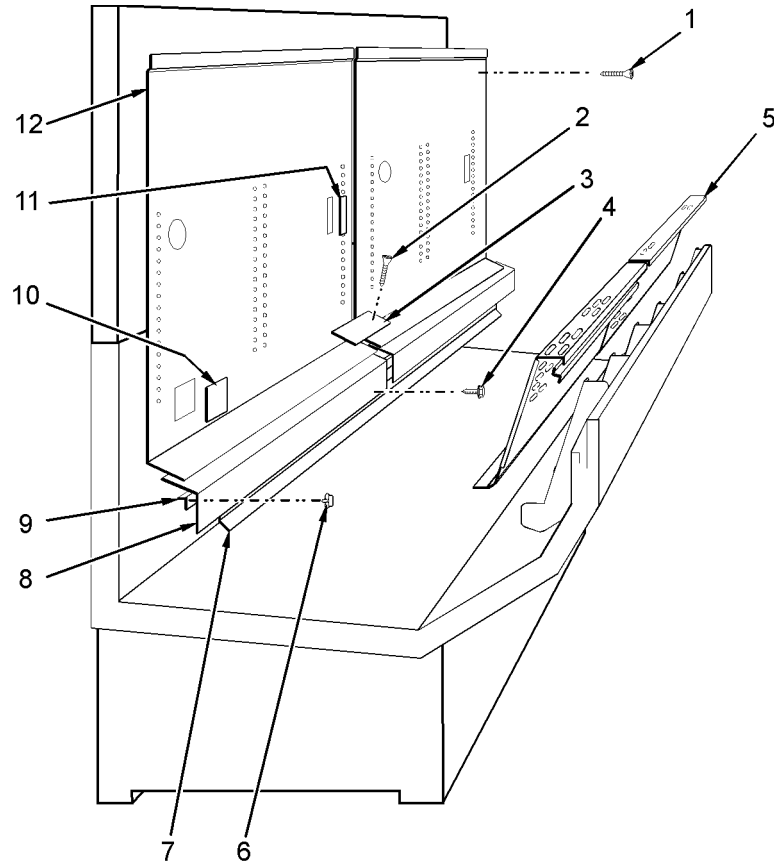


8' and 12' Merchandiser

Item	Part No.	Quantity		Description	Item	Part No.	Quantity		Description
		8'	12'				8'	12'	
*	9043586	1	-	Light Channel Assy.	6	5100661	2	2	Nut
*	9043585	-	1	Light Channel Assy.	7	5101000	2	2	Lockwasher
1	----	2	3	Lamp, T-8	8	5100973	2	2	Washer
2	5214107	4	6	Screw	9	5991029	1	-	T-8 Ballast, 2-Lamp
3	9025887	1	-	Light Channel		5991030	-	1	T-8 Ballast, 3-Lamp
	9025888	-	1	Light Channel	10	5103997	2	2	Lockwasher
4	9041897	4	6	Lampholder, T-8	11	5100379	2	2	Screw
	5981627	4	6	Lampholder Cap	12	5619204	4	6	Screw
5	5100565	1	1	Toggle Switch					



STRUCTURAL COMPONENTS - (CONT'D)
 DUCTS AND PANELS - N1P/N4P/N4PD

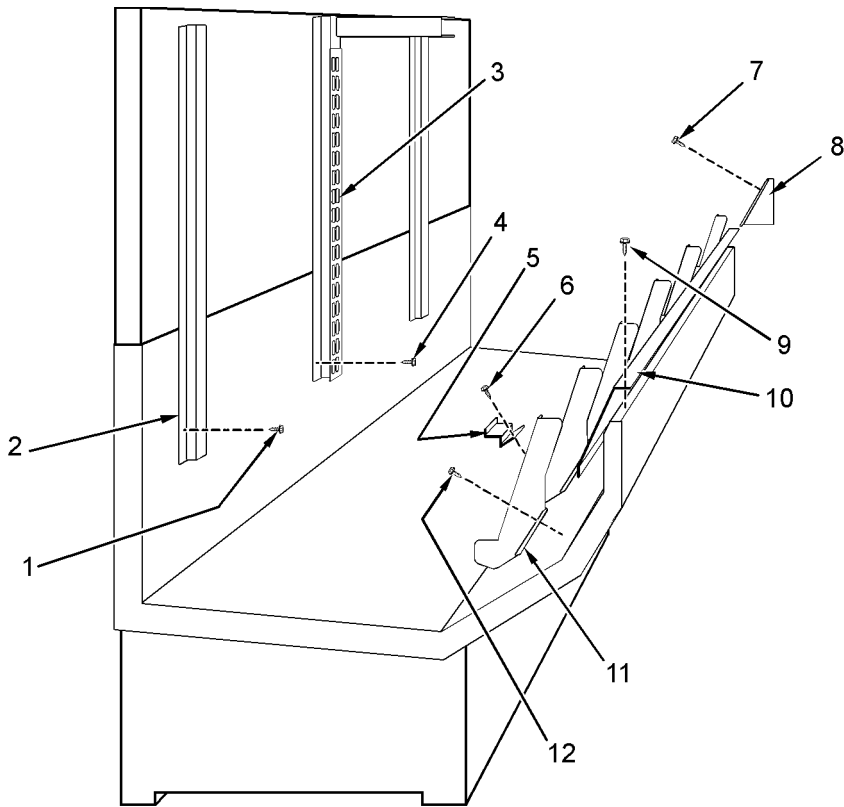


8' and 12' Merchandiser

Item	Part No.	Quantity		Description	Item	Part No.	Quantity		Description
		8'	12'				8'	12'	
1	5048626	28	42	Screw	9	5199917	1	-	Coil Close-off Support (N1P/N4P)
2	5048626	2	4	Screw					
3	5199298	1	2	Rear Duct Joint Trim		5199918	-	1	Coil Close-off Support (N1P/N4P)
4	5183536	3	4	Screw		5048626	3	4	Screw
5	5198959	2	3	Front Duct	10	5646033	4	6	Access Cover
	5248045	2	3	Front Duct Clip		5048626	8	12	Screw
	5183536	2	3	Screw	11	9026091	2	3	Outlet Cover
6	5185321	4	6	Fastener, Q-4 (N1P/N4P)		5048626	2	3	Screw
7	9028538	1	-	Fan Panel Support (N1P/N4P)	12	5203010	2	3	Rear Duct (N1P)
	9028549	-	1	Fan Panel Support (N1P/N4P)		5997509	2	3	Rear Duct (N4P/N4PD)
8	9028546	2	3	Removable Coil Close-off (N1P/N4P)					



STRUCTURAL COMPONENTS - (CONT'D)
Z-BARS - N1P/N4P/N4PD

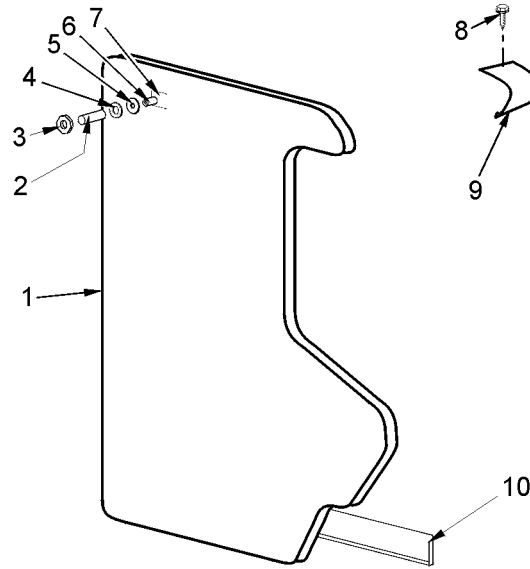


8' and 12' Merchandiser

Item	Part No.	Quantity		Description	Item	Part No.	Quantity		Description
		8'	12'				8'	12'	
1	1309067	12	24	Screw	8	5202802	1	1	RH End Close-off
2	5198913	2	3	Rear Z-Bar		5202803	1	1	LH End Close-off
3	5198697	1	2	Center Upright Assy.	9	5183536	16	22	Screw
4	5183536	10	20	Screw	10	5198592	1	-	Foam Cover
5	5201958	1	1	Field Piping Support		5198593	-	1	Foam Cover
6	5183536	2	2	Screw	11	5218722	6	9	Front Z-Bar
7	5183536	4	4	Screw	12	5183536	12	18	Screw



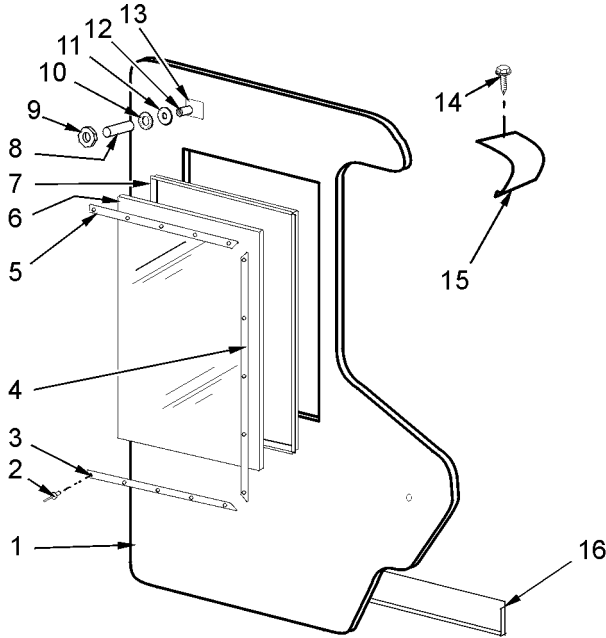
STRUCTURAL COMPONENTS - (CONT'D)
 PATCH ENDS, PARTITIONS AND DIVIDERS
 Solid Patch End, Contoured - N1P/N4P/N4PD



Item	Part No.	Qty.	Description	Item	Part No.	Qty.	Description
*	9021125	1	RH Contoured End Assy., Ptd. w/Ptd. Liner - 31"	2	9022759	4	Stud, 5/16"-18 x 3"
*	9021126	1	LH Contoured End Assy., Ptd. w/Ptd. Liner - 31"	3	5100625	4	Nut, 5/16"-18
*	9021127	1	RH Contoured End Assy., Ptd. w/BRT/SS Liner - 31"	4	5101003	4	Lockwasher
*	9021128	1	LH Contoured End Assy., Ptd. w/BRT/SS Liner - 31"	5	5100976	4	Washer
*	9021149	1	RH Contoured End Assy., Ptd. w/Ptd. Liner - 28"	6	9022756	4	Threaded Insert
*	9021150	1	LH Contoured End Assy., Ptd. w/Ptd. Liner - 28"	7	9022760	4	Tapping Plate
*	9021151	1	RH Contoured End Assy., Ptd. w/BRT/SS Liner - 28"	8	5219883	4	Screw
*	9021152	1	LH Contoured End Assy., Ptd. w/BRT/SS Liner - 28"	9	9029422	1	Canopy Hood Trim, Ptd.
1	9024298	1	RH Bench Assy., Ptd. w/Ptd. Liner - 31"	10	9022459	1	LH Base End Close-off
	9024300	1	LH Bench End Assy., Ptd. w/Ptd. Liner - 31"		9022466	1	RH Base End Close-off
	9024301	1	RH Bench End Assy., Ptd. w/BRT/SS Liner - 31"		5048626	2	Screw
	9024302	1	LH Bench End Assy., Ptd. w/BRT/SS Liner - 31"	Optional End Bumper Components (not shown)			
	9024322	1	RH Bench End Assy., Ptd. w/Ptd. Liner - 28"	-	9027973	1	1" End Bumper, Cool Gray - 33"
	9024323	1	LH Bench End Assy., Ptd. w/Ptd. Liner - 28"		9027974	1	1" End Bumper, Black - 33"
	9024324	1	RH Bench End Assy., Ptd. w/BRT/SS Liner - 28"		9027975	1	1" End Bumper, Pearl - 33"
	9024325	1	LH Bench End Assy., Ptd. w/BRT/SS Liner - 28"		9029311	1	1" End Bumper, Pearly Gates - 33"
					9023460	1	1" End Bumper, Cool Gray - 39"
					9023461	1	1" End Bumper, Black - 39"
					9023462	1	1" End Bumper, Pearl - 39"
					9023459	1	1" End Bumper, Pearly Gates - 39"
					9310876	1	1" End Bumper, Steel Gray - 39"
				-	9027882	1	Mounting Retainer - 35"
					9023453	1	Mounting Retainer - 41"
				-	9027743	4	End Cap, Cool Gray
					9027744	4	End Cap, Black
					9027742	4	End Cap, Pearl
					9026528	4	End Cap, Pearly Gates
					9310881	4	End Cap, Steel Gray
				-	5183536	4	Screw
				-	5104702	17	Rivet



STRUCTURAL COMPONENTS - (CONT'D)
PATCH ENDS, PARTITIONS AND DIVIDERS
Solid Patch End, Contoured w/Mirror - N1P/N4P/N4PD



Item	Part No.	Qty.	Description
	9024304	1	RH Bench End Assy., Ptd. w/BRT SS Liner w/Mirror - 31"
	9024305	1	LH Bench End Assy., Ptd. w/BRT SS Liner w/Mirror - 31"
	9024326	1	RH Bench End Assy., Ptd. w/Ptd. Liner w/Mirror - 28"
	9024327	1	LH Bench End Assy., Ptd. w/Ptd. Liner w/Mirror - 28"
	9024328	1	RH Bench End Assy., Ptd. w/BRT SS Liner w/Mirror - 28"
	9024329	1	LH Bench End Assy., Ptd. w/BRT SS Liner w/Mirror - 28"
2	5104702	30	Rivet
3	9027800	1	Bottom Mirror Trim
4	9030161	1	Front Vertical Mirror Trim
5	9030154	1	Top Mirror Trim
6	9030017	1	Mirror
7	9027797	1	Mirror Pan
8	9022759	4	Stud, 5/16"-18 x 3"
9	5100625	4	Nut, 5/16"-18
10	5101003	4	Lockwasher
11	5100976	4	Washer
12	9022756	4	Threaded Insert
13	9022760	4	Tapping Plate
14	5219883	4	Screw
15	9029422	1	Canopy Hood Trim, Ptd.
16	9022459	1	LH Base End Close-off
	9022466	1	RH Base End Close-off
	5048626	2	Screw

Item	Part No.	Qty.	Description
*	9021129	1	RH Contoured End Assy., Ptd. w/Ptd. Liner w/Mirror - 31"
*	9021130	1	LH Contoured End Assy., Ptd. w/Ptd. Liner w/Mirror - 31"
*	9021131	1	RH Contoured End Assy., Ptd. w/BRT SS Liner w/Mirror - 31"
*	9021132	1	LH Contoured End Assy., Ptd. w/BRT SS Liner w/Mirror - 31"
*	9021153	1	RH Contoured End Assy., Ptd. w/Ptd. Liner w/Mirror - 28"
*	9021154	1	LH Contoured End Assy., Ptd. w/Ptd. Liner w/Mirror - 28"
*	9021155	1	RH Contoured End Assy., Ptd. w/BRT SS Liner w/Mirror - 28"
*	9021156	1	LH Contoured End Assy., Ptd. w/BRT SS Liner w/Mirror - 28"
1	9024302	1	RH Bench End Assy., Ptd. w/Ptd. Liner w/Mirror - 31"
	9024303	1	LH Bench End Assy., Ptd. w/Ptd. Liner w/Mirror - 31"

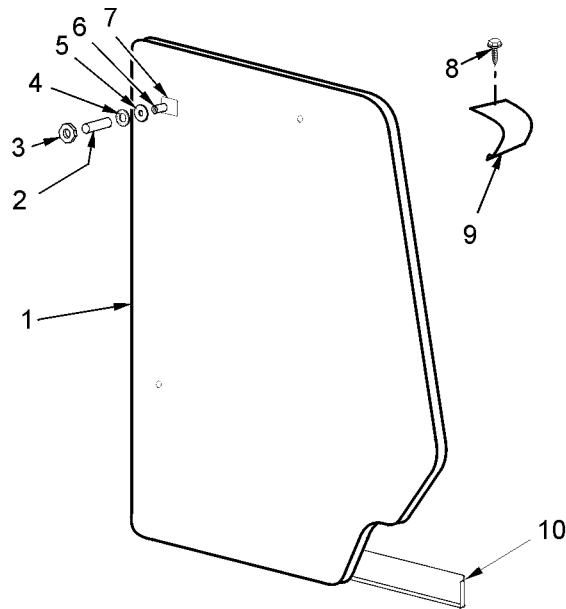
Optional End Bumper Components (not shown)			
-	9027973	1	1" End Bumper, Cool Gray - 33"
	9027974	1	1" End Bumper, Black - 33"
	9027975	1	1" End Bumper, Pearl - 33"
	9029311	1	1" End Bumper, Pearly Gates - 33"
	9023460	1	1" End Bumper, Cool Gray - 39"
	9023461	1	1" End Bumper, Black - 39"
	9023462	1	1" End Bumper, Pearl - 39"
	9023459	1	1" End Bumper, Pearly Gates - 39"
	9310876	1	1" End Bumper, Steel Gray - 39"
-	9027882	1	Mounting Retainer - 35"
	9023453	1	Mounting Retainer - 41"
-	9027743	4	End Cap, Cool Gray
	9027744	4	End Cap, Black
	9027742	4	End Cap, Pearl
	9026528	4	End Cap, Pearly Gates
	9310881	4	End Cap, Steel Gray
-	5183536	4	Screw
-	5104702	17	Rivet



STRUCTURAL COMPONENTS - (CONT'D)

PATCH ENDS

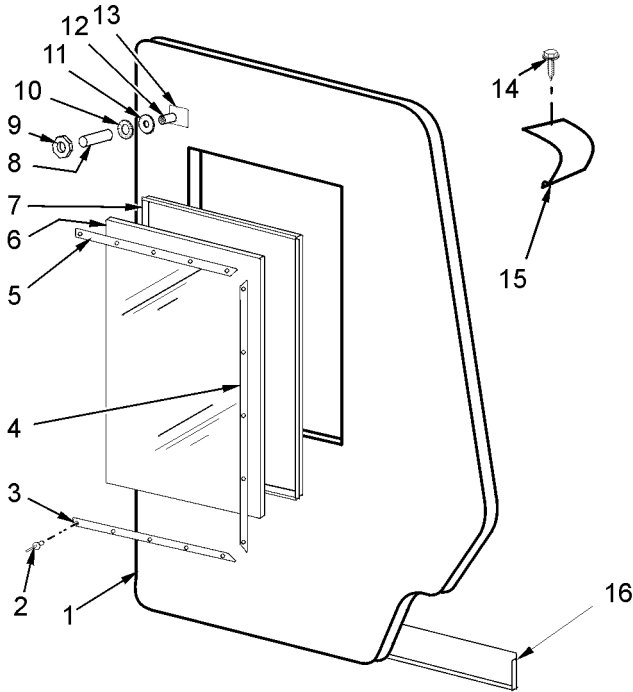
Solid Patch End, Tapered - N1P/N4P/N4PD



Item	Part No.	Qty.	Description	Item	Part No.	Qty.	Description
*	9021141	1	RH Tapered End Assy., Ptd. w/Ptd. Liner - 31"	2	9022759	4	Stud, 5/16"-18 x 3"
*	9021142	1	LH Tapered End Assy., Ptd. w/Ptd. Liner - 31"	3	5100625	4	Nut, 5/16"-18
*	9021143	1	RH Tapered End Assy., Ptd. w/BRT SS Liner - 31"	4	5101003	4	Lockwasher
*	9021144	1	LH Tapered End Assy., Ptd. w/BRT SS Liner - 31"	5	5100976	4	Washer
*	9021166	1	RH Tapered End Assy., Ptd. w/Ptd. Liner - 28"	6	9022756	4	Threaded Insert
*	9021167	1	LH Tapered End Assy., Ptd. w/Ptd. Liner - 28"	7	9022760	4	Tapping Plate
*	9021168	1	RH Tapered End Assy., Ptd. w/BRT SS Liner - 28"	8	5219883	4	Screw
*	9021169	1	LH Tapered End Assy., Ptd. w/BRT SS Liner - 28"	9	9029422	1	Canopy Hood Trim, Ptd.
1	9024314	1	RH Bench Assy., Ptd. w/Ptd. Liner - 31"	10	9022459	1	LH Base End Close-off
	9024315	1	LH Bench Assy., Ptd. w/Ptd. Liner - 31"		9022466	1	RH Base End Close-off
	9024316	1	RH Bench Assy., Ptd. w/BRT SS Liner - 31"		5048626	2	Screw
	9024317	1	LH Bench Assy., Ptd. w/BRT SS Liner - 31"	Optional End Bumper Components (not shown)			
	9024388	1	RH Bench Assy., Ptd. w/Ptd. Liner - 28"	-	9027973	1	1" End Bumper, Cool Gray - 33"
	9024389	1	LH Bench Assy., Ptd. w/Ptd. Liner - 28"		9027974	1	1" End Bumper, Black - 33"
	9024390	1	RH Bench Assy., Ptd. w/BRT SS Liner - 28"		9027975	1	1" End Bumper, Pearl - 33"
	9024391	1	LH Bench Assy., Ptd. w/BRT SS Liner - 28"		9029311	1	1" End Bumper, Pearly Gates - 33"
					9023460	1	1" End Bumper, Cool Gray - 39"
					9023461	1	1" End Bumper, Black - 39"
					9023462	1	1" End Bumper, Pearl - 39"
					9023459	1	1" End Bumper, Pearly Gates - 39"
					9310876	1	1" End Bumper, Steel Gray - 39"
				-	9027882	1	Mounting Retainer - 35"
					9023453	1	Mounting Retainer - 41"
				-	9027743	4	End Cap, Cool Gray
					9027744	4	End Cap, Black
					9027742	4	End Cap, Pearl
					9026528	4	End Cap, Pearly Gates
					9310881	4	End Cap, Steel Gray
				-	5183536	4	Screw
				-	5104702	17	Rivet



STRUCTURAL COMPONENTS - (CONT'D)
PATCH ENDS, PARTITIONS AND DIVIDERS
Solid Patch End, Tapered w/Mirror - N1P/N4P/N4PD



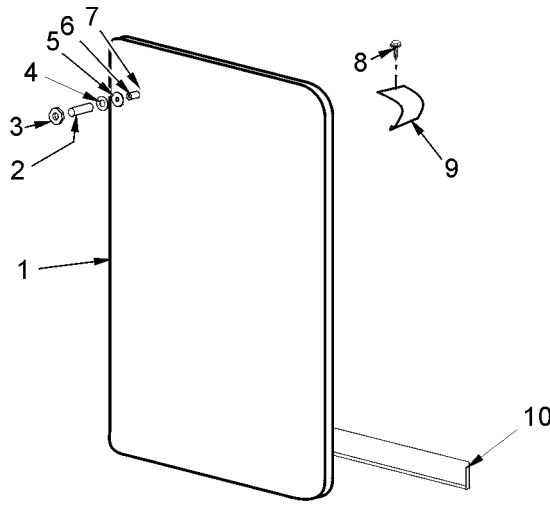
Item	Part No.	Qty.	Description
	9024320	1	RH Bench Assy., Ptd. w/BRT SS Liner w/Mirror - 31"
	9024321	1	LH Bench Assy., Ptd. w/BRT SS Liner w/Mirror - 31"
	9024342	1	RH Bench Assy., Ptd. w/Ptd. Liner w/Mirror - 28"
	9024343	1	LH Bench Assy., Ptd. w/Ptd. Liner w/Mirror - 28"
	9024344	1	RH Bench Assy., Ptd. w/BRT SS Liner w/Mirror - 28"
	9024345	1	LH Bench Assy., Ptd. w/BRT SS Liner w/Mirror - 28"
2	5104702	30	Rivet
3	9027800	1	Bottom Mirror Trim
4	9030161	1	Front Vertical Mirror Trim
5	9030154	1	Top Mirror Trim
6	9030017	1	Mirror
7	9027797	1	Mirror Pan
8	9022759	4	Stud, 5/16"-18 x 3"
9	5100625	4	Nut, 5/16"-18
10	5101003	4	Lockwasher
11	5100976	4	Washer
12	9022756	4	Threaded Insert
13	9022760	4	Tapping Plate
14	5219883	4	Screw
15	9029422	1	Hood Canopy Trim, Ptd.
16	9022459	1	LH Base End Close-off
	9022466	1	RH Base End Close-off
	5048626	2	Screw

Item	Part No.	Qty.	Description
*	9021145	1	RH Tapered End Assy., Ptd. w/Ptd. Liner w/Mirror - 31"
*	9021146	1	LH Tapered End Assy., Ptd. w/Ptd. Liner w/Mirror - 31"
*	9021147	1	RH Tapered End Assy., Ptd. w/BRT SS Liner w/Mirror - 31"
*	9021148	1	LH Tapered End Assy., Ptd. w/BRT SS Liner w/Mirror - 31"
*	9021170	1	RH Tapered End Assy., Ptd. w/Ptd. Liner w/Mirror - 28"
*	9021171	1	LH Tapered End Assy., Ptd. w/Ptd. Liner w/Mirror - 28"
*	9021172	1	RH Tapered End Assy., Ptd. w/BRT SS Liner w/Mirror - 28"
*	9021173	1	LH Tapered End Assy., Ptd. w/BRT SS Liner w/Mirror - 28"
1	9024318	1	RH Bench Assy., Ptd. w/Ptd. Liner w/Mirror - 31"
	9024319	1	LH Bench Assy., Ptd. w/Ptd. Liner w/Mirror - 31"

Optional End Bumper Components (not shown)			
-	9027973	1	1" End Bumper, Cool Gray - 33"
	9027974	1	1" End Bumper, Black - 33"
	9027975	1	1" End Bumper, Pearl - 33"
	9029311	1	1" End Bumper, Pearly Gates - 33"
	9023460	1	1" End Bumper, Cool Gray - 39"
	9023461	1	1" End Bumper, Black - 39"
	9023462	1	1" End Bumper, Pearl - 39"
	9023459	1	1" End Bumper, Pearly Gates - 39"
	9310876	1	1" End Bumper, Steel Gray - 39"
-	9027882	1	Mounting Retainer - 35"
	9023453	1	Mounting Retainer - 41"
-	9027743	4	End Cap, Cool Gray
	9027744	4	End Cap, Black
	9027742	4	End Cap, Pearl
	9026528	4	End Cap, Pearly Gates
	9310881	4	End Cap, Steel Gray
-	5183536	4	Screw
-	5104702	17	Rivet



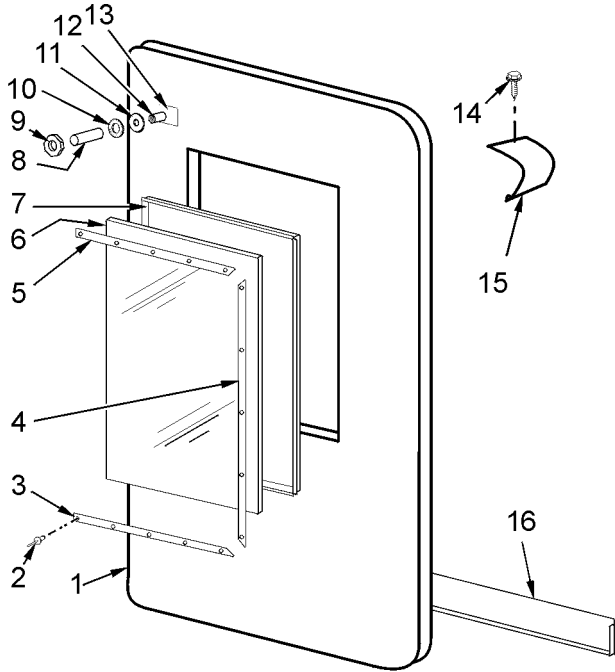
STRUCTURAL COMPONENTS - (CONT'D)
PATCH ENDS, PARTITIONS AND DIVIDERS
Solid Patch End, Boxed - N1P/N4P/N4PD



Item	Part No.	Qty.	Description	Item	Part No.	Qty.	Description
*	9021133	1	RH Boxed End Assy., Ptd. w/Ptd. Liner - 31"	2	9022759	4	Stud, 5/16"-18 x 3"
*	9021134	1	LH Boxed End Assy., Ptd. w/Ptd. Liner - 31"	3	5100625	4	Nut, 5/16"-18
*	9021135	1	RH Boxed End Assy., Ptd. w/BRT SS Liner - 31"	4	5101003	4	Lockwasher
*	9021136	1	LH Boxed End Assy., Ptd. w/BRT SS Liner - 31"	5	5100976	4	Washer
*	9021157	1	RH Boxed End Assy., Ptd. w/Ptd. Liner - 28"	6	9022756	4	Threaded Insert
*	9021158	1	LH Boxed End Assy., Ptd. w/Ptd. Liner - 28"	7	9022760	4	Tapping Plate
*	9021160	1	RH Boxed End Assy., Ptd. w/BRT SS Liner - 28"	8	5219883	4	Screw
*	9021161	1	LH Boxed End Assy., Ptd. w/BRT SS Liner - 28"	9	9029422	1	Hood Canopy Trim, Ptd.13
1	9024306	1	RH Bench Assy., Ptd. w/Ptd. Liner - 31"	10	9022459	1	LH Base End Close-off
	9024307	1	LH Bench Assy., Ptd. w/Ptd. Liner - 31"		9022466	1	RH Base End Close-off
	9024308	1	RH Bench Assy., Ptd. w/BRT SS Liner - 31"		5048626	2	Screw
	9024309	1	LH Bench Assy., Ptd. w/BRT SS Liner - 31"	Optional End Bumper Components (not shown)			
	9024330	1	RH Bench Assy., Ptd. w/Ptd. Liner - 28"	-	9027973	1	1" End Bumper, Cool Gray - 33"
	9024331	1	LH Bench Assy., Ptd. w/Ptd. Liner - 28"	-	9027974	1	1" End Bumper, Black - 33"
	9024332	1	RH Bench Assy., Ptd. w/BRT SS Liner - 28"	-	9027975	1	1" End Bumper, Pearl - 33"
	9024333	1	LH Bench Assy., Ptd. w/BRT SS Liner - 28"	-	9029311	1	1" End Bumper, Pearly Gates - 33"
				-	9023460	1	1" End Bumper, Cool Gray - 39"
				-	9023461	1	1" End Bumper, Black - 39"
				-	9023462	1	1" End Bumper, Pearl - 39"
				-	9023459	1	1" End Bumper, Pearly Gates - 39"
				-	9310876	1	1" End Bumper, Steel Gray - 39"
				-	9027882	1	Mounting Retainer - 35"
				-	9023453	1	Mounting Retainer - 41"
				-	9027743	4	End Cap, Cool Gray
				-	9027744	4	End Cap, Black
				-	9027742	4	End Cap, Pearl
				-	9026528	4	End Cap, Pearly Gates
				-	9310881	4	End Cap, Steel Gray
				-	5183536	4	Screw
				-	5104702	17	Rivet



STRUCTURAL COMPONENTS - (CONT'D)
PATCH ENDS, PARTITIONS AND DIVIDERS
Solid Patch End, Boxed w/Mirror - N1P/N4P/N4PD



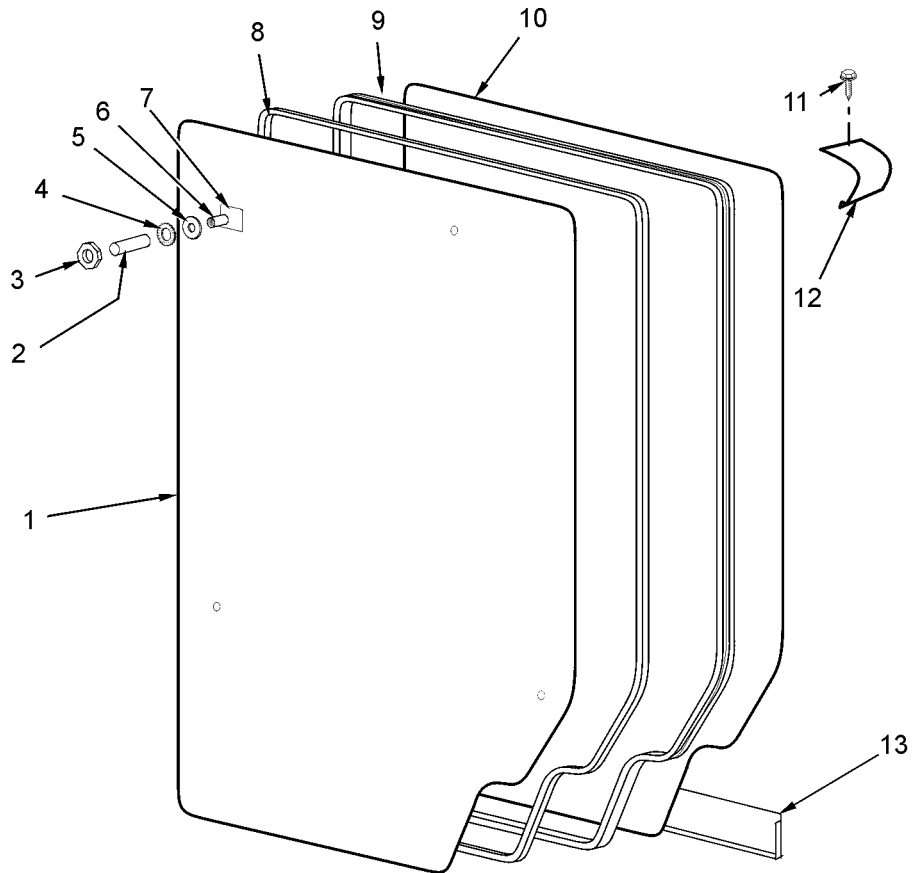
Item	Part No.	Qty.	Description
	9024312	1	RH Bench Assy., Ptd. w/BRT SS Liner w/Mirror - 31"
	9024313	1	LH Bench Assy., Ptd. w/BRT SS Liner w/Mirror - 31"
	9024334	1	RH Bench Assy., Ptd. w/Ptd. Liner w/Mirror - 28"
	9024335	1	LH Bench Assy., Ptd. w/Ptd. Liner w/Mirror - 28"
	9024336	1	RH Bench Assy., Ptd. w/BRT SS Liner w/Mirror - 28"
	9024337	1	LH Bench Assy., Ptd. w/BRT SS Liner w/Mirror - 28"
2	5104702	30	Rivet
3	9030153	1	Bottom Mirror Trim
4	9030161	1	Front Vertical Mirror Trim
5	9030152	1	Top Mirror Trim
6	9027795	1	Mirror
7	9027798	1	Mirror Pan
8	9022759	4	Stud, 5/16"-18 x 3"
9	5100625	4	Nut, 5/16"-18
10	5101003	4	Lockwasher
11	5100976	4	Washer
12	9022756	4	Threaded Insert
13	9022760	4	Tapping Plate
14	5219883	4	Screw
15	9029422	1	Hood Canopy Trim, Ptd.
16	9022459	1	LH Base End Close-off
	9022466	1	RH Base End Close-off
	5048626	2	Screw

Optional End Bumper Components (not shown)

Item	Part No.	Qty.	Description
*	9021137	1	RH Boxed End Assy., Ptd. w/Ptd. Liner w/Mirror - 31"
*	9021138	1	LH Boxed End Assy., Ptd. w/Ptd. Liner w/Mirror - 31"
*	9021139	1	RH Boxed End Assy., Ptd. w/BRT SS Liner w/Mirror - 31"
*	9021140	1	LH Boxed End Assy., Ptd. w/BRT SS Liner w/Mirror - 31"
*	9021162	1	RH Boxed End Assy., Ptd. w/Ptd. Liner w/Mirror - 28"
*	9021163	1	LH Boxed End Assy., Ptd. w/Ptd. Liner w/Mirror - 28"
*	9021164	1	RH Boxed End Assy., Ptd. w/BRT SS Liner w/Mirror - 28"
*	9021165	1	LH Boxed End Assy., Ptd. w/BRT SS Liner w/Mirror - 28"
1	9024310	1	RH Bench Assy., Ptd. w/Ptd. Liner w/Mirror - 31"
	9024311	1	LH Bench Assy., Ptd. w/Ptd. Liner w/Mirror - 31"
-	9027973	1	1" End Bumper, Cool Gray - 33"
	9027974	1	1" End Bumper, Black - 33"
	9027975	1	1" End Bumper, Pearl - 33"
	9029311	1	1" End Bumper, Pearly Gates - 33"
	9023460	1	1" End Bumper, Cool Gray - 39"
	9023461	1	1" End Bumper, Black - 39"
	9023462	1	1" End Bumper, Pearl - 39"
	9023459	1	1" End Bumper, Pearly Gates - 39"
	9310876	1	1" End Bumper, Steel Gray - 39"
-	9027882	1	Mounting Retainer - 35"
	9023453	1	Mounting Retainer - 41"
-	9027743	4	End Cap, Cool Gray
	9027744	4	End Cap, Black
	9027742	4	End Cap, Pearl
	9026528	4	End Cap, Pearly Gates
	9310881	4	End Cap, Steel Gray
-	5183536	4	Screw
-	5104702	17	Rivet



STRUCTURAL COMPONENTS - (CONT'D)
PATCH ENDS, PARTITIONS AND DIVIDERS
Solid Patch End, Contoured Boxed - N1P/N4P/N4PD



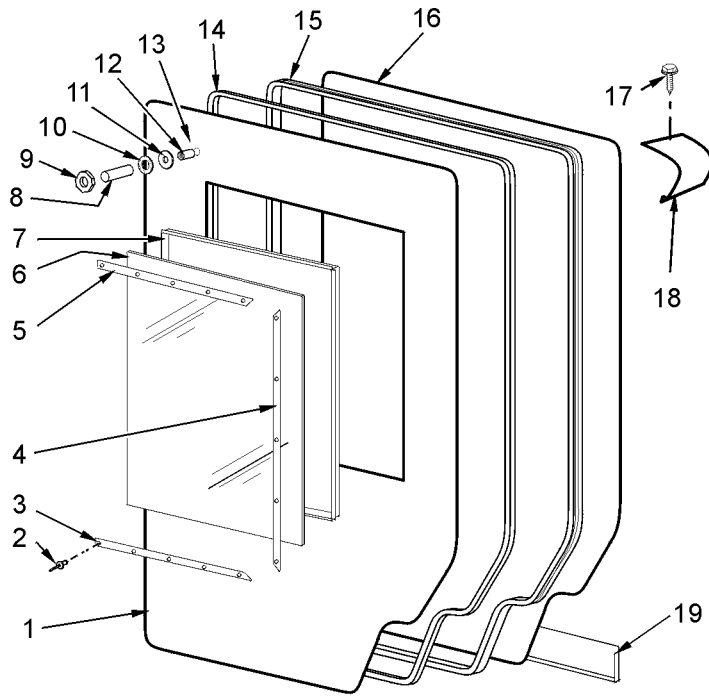
Item	Part No.	Qty.	Description	Optional End Bumper Components (not shown)			
*	9035280	1	RH Contoured Boxed End Assy., Ptd. w/Ptd. Liner	Item	Part No.	Qty.	Description
*	9035281	1	LH Contoured Boxed End Assy., Ptd. w/Ptd. Liner	-	9027973	1	1" End Bumper, Cool Gray - 33"
1	9035274	1	RH Solid End Liner, Ptd		9027974	1	1" End Bumper, Black - 33"
	9035275	1	LH Solid End Liner, Ptd.		9027975	1	1" End Bumper, Pearl - 33"
2	9022759	4	Stud, 5/16"-18 x 3"		9029311	1	1" End Bumper, Pearly Gates - 33"
3	5100625	4	Nut, 5/16"-18		9023460	1	1" End Bumper, Cool Gray - 39"
4	5101003	4	Lockwasher		9023461	1	1" End Bumper, Black - 39"
5	5100976	4	Washer		9023462	1	1" End Bumper, Pearl - 39"
6	9022756	4	Threaded Insert		9023459	1	1" End Bumper, Pearly Gates - 39"
7	9022760	4	Tapping Plate		9310876	1	1" End Bumper, Steel Gray - 39"
8	9021655	27'	Edge Trim, Cool Gray	-	9027882	1	Mounting Retainer - 35"
	9021656	27'	Edge Trim, Black		9023453	1	Mounting Retainer - 41"
	9021657	27'	Edge Trim, Pearl	-	9027743	4	End Cap, Cool Gray
	9301919	27'	Edge Trim, Pearly Gates		9027744	4	End Cap, Black
9	9022757	1	End Spacer		9027742	4	End Cap, Pearl
10	9035268	1	RH Solid End Panel, Ptd.		9026528	4	End Cap, Pearly Gates
	9035269	1	LH Solid End Panel, Ptd.		9310881	4	End Cap, Steel Gray
11	5219883	4	Screw	-	5183536	4	Screw
12	9029422	1	Hood Canopy Trim, Ptd.	-	5104702	17	Rivet
13	9022459	1	LH Base End Close-off				
	9022466	1	RH Base End Close-off				
	5048626	2	Screw				



STRUCTURAL COMPONENTS - (CONT'D)

PATCH ENDS, PARTITIONS AND DIVIDERS

Solid Patch End, Contoured Boxed w/Mirror - N1P/N4P/N4PD



Item	Part No.	Qty.	Description
1	9030946	1	RH Solid End Liner, Ptd
	9030947	1	LH Solid End Liner, Ptd.
2	5104702	30	Rivet
3	9030153	1	Bottom Mirror Trim
4	9030161	1	Front Vertical Mirror Trim
5	9030152	1	Top Mirror Trim
6	9027795	1	Mirror
7	9027798	1	Mirror Pan
8	9022759	4	Stud, 5/16"-18 x 3"
9	5100625	4	Nut, 5/16"-18
10	5101003	4	Lockwasher
11	5100976	4	Washer
12	9022756	4	Threaded Insert
13	9022760	4	Tapping Plate
14	9021655	27'	Edge Trim, Cool Gray
	9021656	27'	Edge Trim, Black
	9021657	27'	Edge Trim, Pearl
	9301919	27'	Edge Trim, Pearly Gates
15	9022757	1	End Spacer
16	9029099	1	RH Solid End Panel, Ptd.
	9029100	1	LH Solid End Panel, Ptd.
17	5219883	4	Screw
18	9029422	1	Hood Canopy Trim, Ptd.
19	9022459	1	LH Base End Close-off
	9022466	1	RH Base End Close-off
	5048626	2	Screw

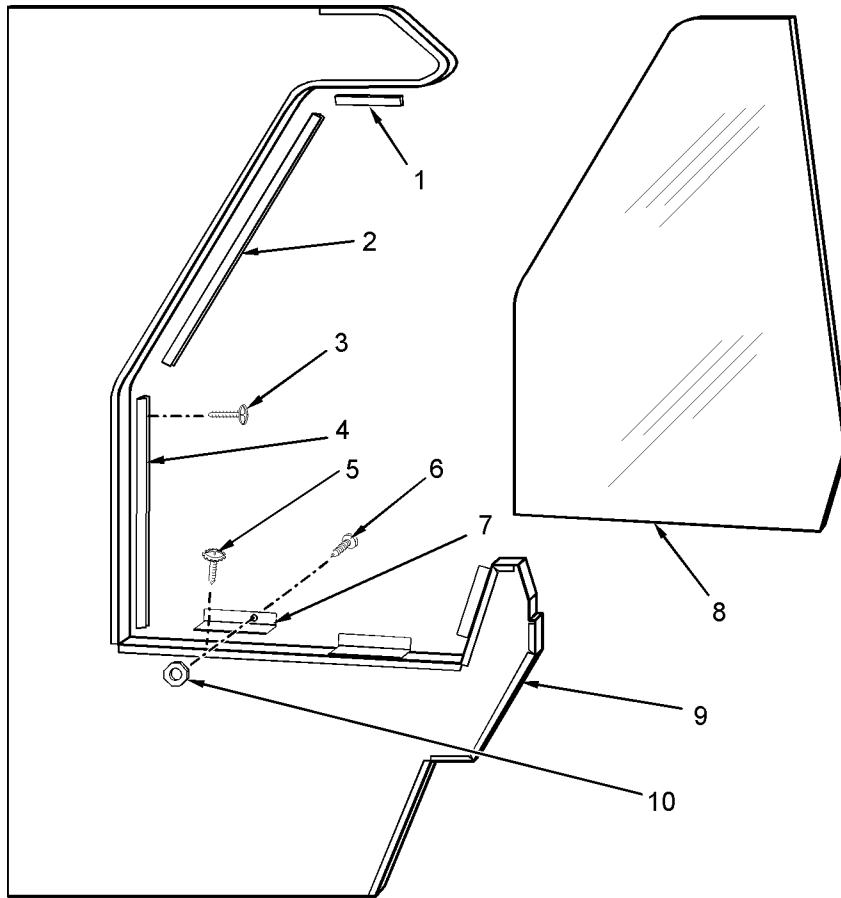
Optional End Bumper Components (not shown)

-	9027973	1	1" End Bumper, Cool Gray - 33"
	9027974	1	1" End Bumper, Black - 33"
	9027975	1	1" End Bumper, Pearl - 33"
	9029311	1	1" End Bumper, Pearly Gates - 33"
	9023460	1	1" End Bumper, Cool Gray - 39"
	9023461	1	1" End Bumper, Black - 39"
	9023462	1	1" End Bumper, Pearl - 39"
	9023459	1	1" End Bumper, Pearly Gates - 39"
	9310876	1	1" End Bumper, Steel Gray - 39"
-	9027882	1	Mounting Retainer - 35"
	9023453	1	Mounting Retainer - 41"
-	9027743	4	End Cap, Cool Gray
	9027744	4	End Cap, Black
	9027742	4	End Cap, Pearl
	9026528	4	End Cap, Pearly Gates
	9310881	4	End Cap, Steel Gray
-	5183536	4	Screw
-	5104702	17	Rivet

Item	Part No.	Qty.	Description
*	9030950	1	RH Contrd. Boxed End Assy., Ptd. w/Ptd. Liner w/Mirror
*	9030951	1	LH Contrd. Boxed End Assy., Ptd. w/Ptd. Liner w/Mirror



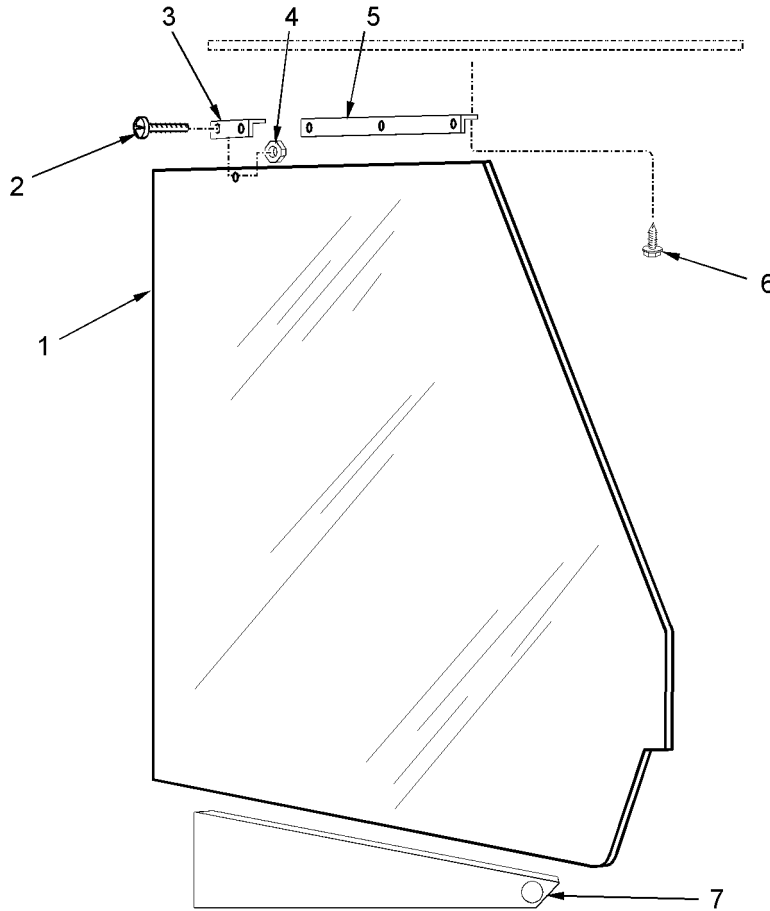
STRUCTURAL COMPONENTS - (CONT'D)
 PATCH ENDS, PARTITIONS AND DIVIDERS
 1" Solid Partition w/Plexiglas Insert - N1P/N4P/N4PD



Item	Part No.	Qty.	Description
*	9021573	1	1" Solid Partition w/Plexiglas Insert Assy., Ptd.
1	9030351	1	Plexiglas Retainer, 15"
2	9030350	1	Plexiglas Retainer, 24"
3	9022477	10	Fastex Fastener
4	9030585	1	Plexiglas Retainer, 16"
5	5619204	6	Screw
6	5111242	6	Screw
7	9023379	3	Bottom Plexiglas Retainer
8	9030586	1	Plexiglas Insert
9	9030584	1	1" Partition Bench Assy., Ptd.
10	5100650	6	Nut



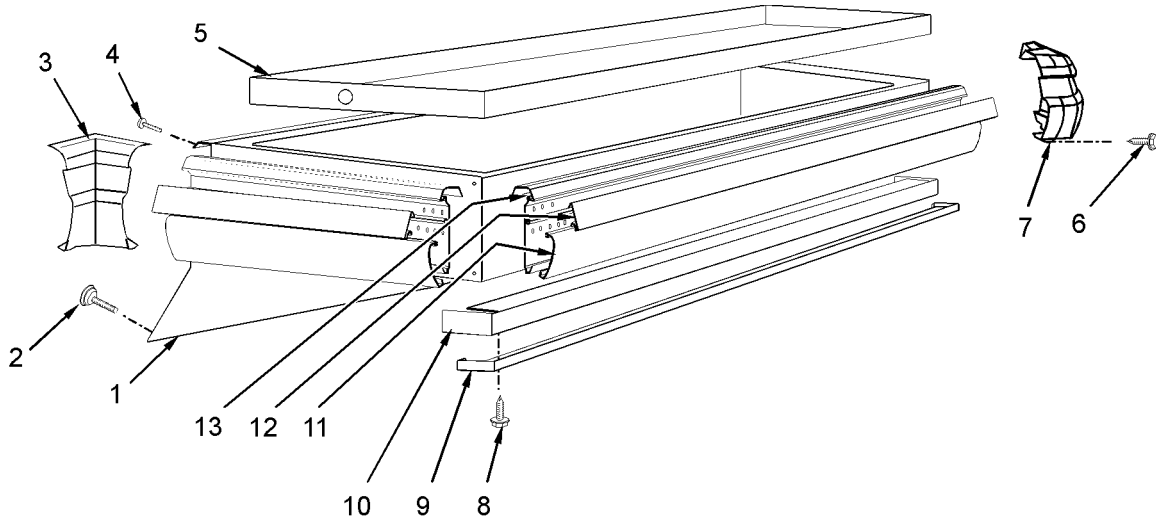
STRUCTURAL COMPONENTS - (CONT'D)
 PATCH ENDS, PARTITIONS AND DIVIDERS
 Floating Plexiglas Divider - N1P/N4P/N4PD



Item	Part No.	Qty.	Description
*	9600888	1	Floating Plexiglas Divider Assy. (for 12" mirrors)
*	9035283	1	Floating Plexiglas Divider Assy. (for 16" mirrors)
*	5239664	1	Floating Plexiglas Divider Assy. (for 28", 30" & 36" mirrors)
1	5239560	1	Plexiglas
2	5111242	5	Screw (for 12" & 16")
	5111242	3	Screw (for 28", 30" & 36")
3	5239561	1	Top Divider Retainer (for 12" & 16" only)
4	5100650	5	Nut (for 12" & 16")
	5100650	3	Nut (for 28", 30" & 36")
5	5239579	1	Top Plexiglas Retainer
6	5183536	5	Screw (for 12" & 16")
	5183536	3	Screw (for 28", 30" & 36")
7	5239601	1	RH Air Close-off
	5239602	1	LH Air Close-off
	5145036	5	Screw



STRUCTURAL COMPONENTS - (CONT'D)
 OPTIONAL PRODUCE EXTENDER - N1P/N4P/N4PD

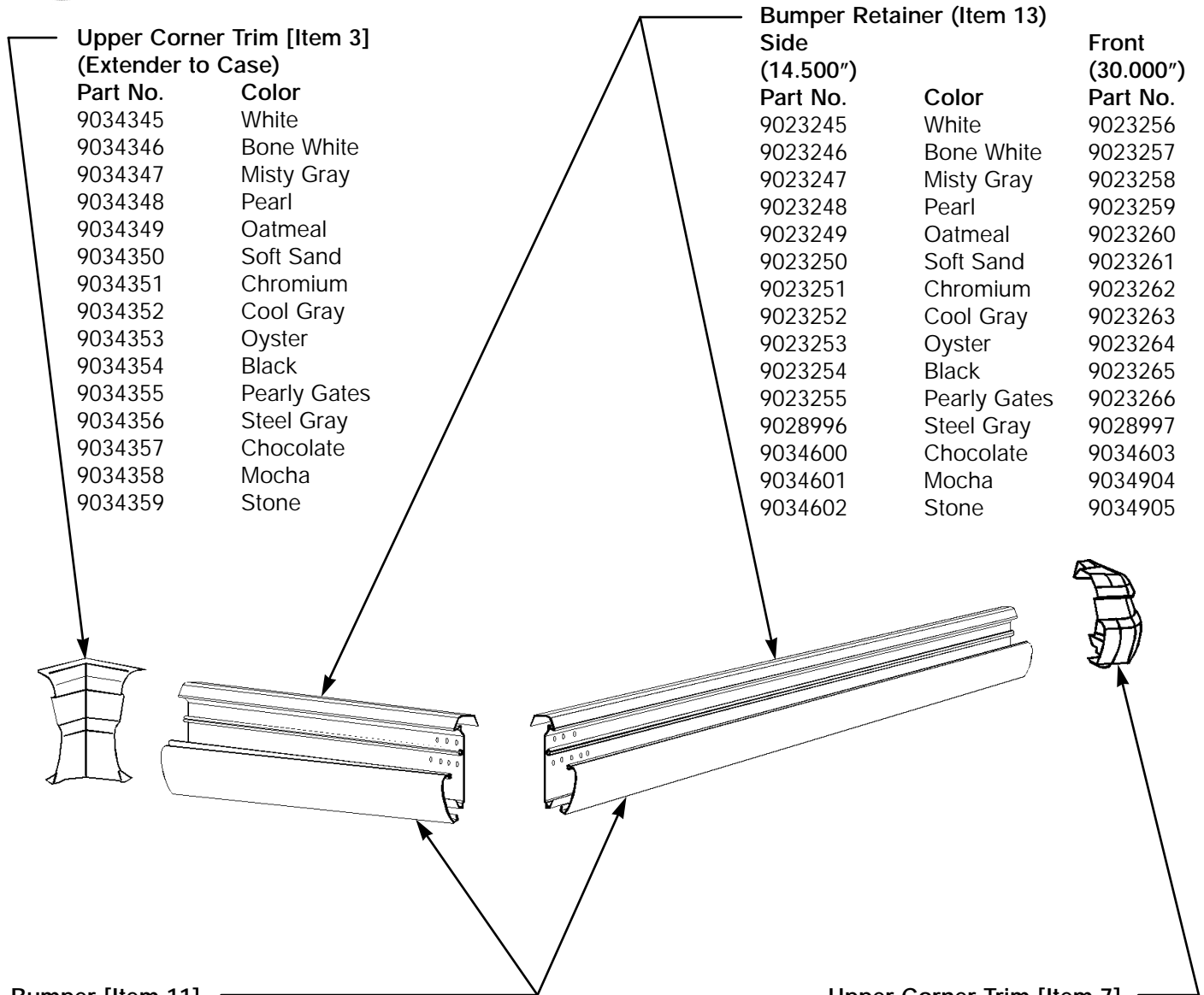


Item	Part No.	Qty.	Description
*	9020504	1	Produce Extender
1	9023220	1	Body Unit Assy.
2	5201267	2	Adjustable Rubber Bumper
3	+	2	Upper Corner Trim (Ext. to Case)
4	5145037	4	Screw
5	5201279	1	Inner Pan
6	9025833	20	Screw
7	+	2	Upper Corner Trim (Prod. Ext.)
8	5183536	3	Screw
9	9023208	1	Front Cladding, Ptd.
10	9023267	1	Front Cladding Support
11	+	1	Front Bumper
	+	2	Side Bumper
12	9023802	1	Front Color Band, Ptd.
	9023803	2	Side Color Band, Ptd.
13	+	1	Front Bumper Retainer
	+	2	Side Bumper Retainer

+ See next page for parts breakdown per color.



STRUCTURAL COMPONENTS - (CONT'D)
OPTIONAL PRODUCE EXTENDER - N1P/N4P/N4PD



Upper Corner Trim [Item 3]
(Extender to Case)

Part No.	Color
9034345	White
9034346	Bone White
9034347	Misty Gray
9034348	Pearl
9034349	Oatmeal
9034350	Soft Sand
9034351	Chromium
9034352	Cool Gray
9034353	Oyster
9034354	Black
9034355	Pearly Gates
9034356	Steel Gray
9034357	Chocolate
9034358	Mocha
9034359	Stone

Bumper Retainer (Item 13)
Side
(14.500")

Part No.	Color
9023245	White
9023246	Bone White
9023247	Misty Gray
9023248	Pearl
9023249	Oatmeal
9023250	Soft Sand
9023251	Chromium
9023252	Cool Gray
9023253	Oyster
9023254	Black
9023255	Pearly Gates
9028996	Steel Gray
9034600	Chocolate
9034601	Mocha
9034602	Stone

Front
(30.000")

Part No.
9023256
9023257
9023258
9023259
9023260
9023261
9023262
9023263
9023264
9023265
9023266
9028997
9034603
9034904
9034905

Bumper [Item 11]

Side
(14.500"):

Part No.	Color
9023223	White
9023224	Bone White
9023225	Misty Gray
9023226	Pearl
9023227	Oatmeal
9023228	Soft Sand
9023229	Chromium
9023230	Cool Gray
9023231	Oyster
9023232	Black
9023233	Pearly Gates
9028999	Steel Gray
9034505	Chocolate
9034506	Mocha
9034507	Stone

Front
(30.000"):

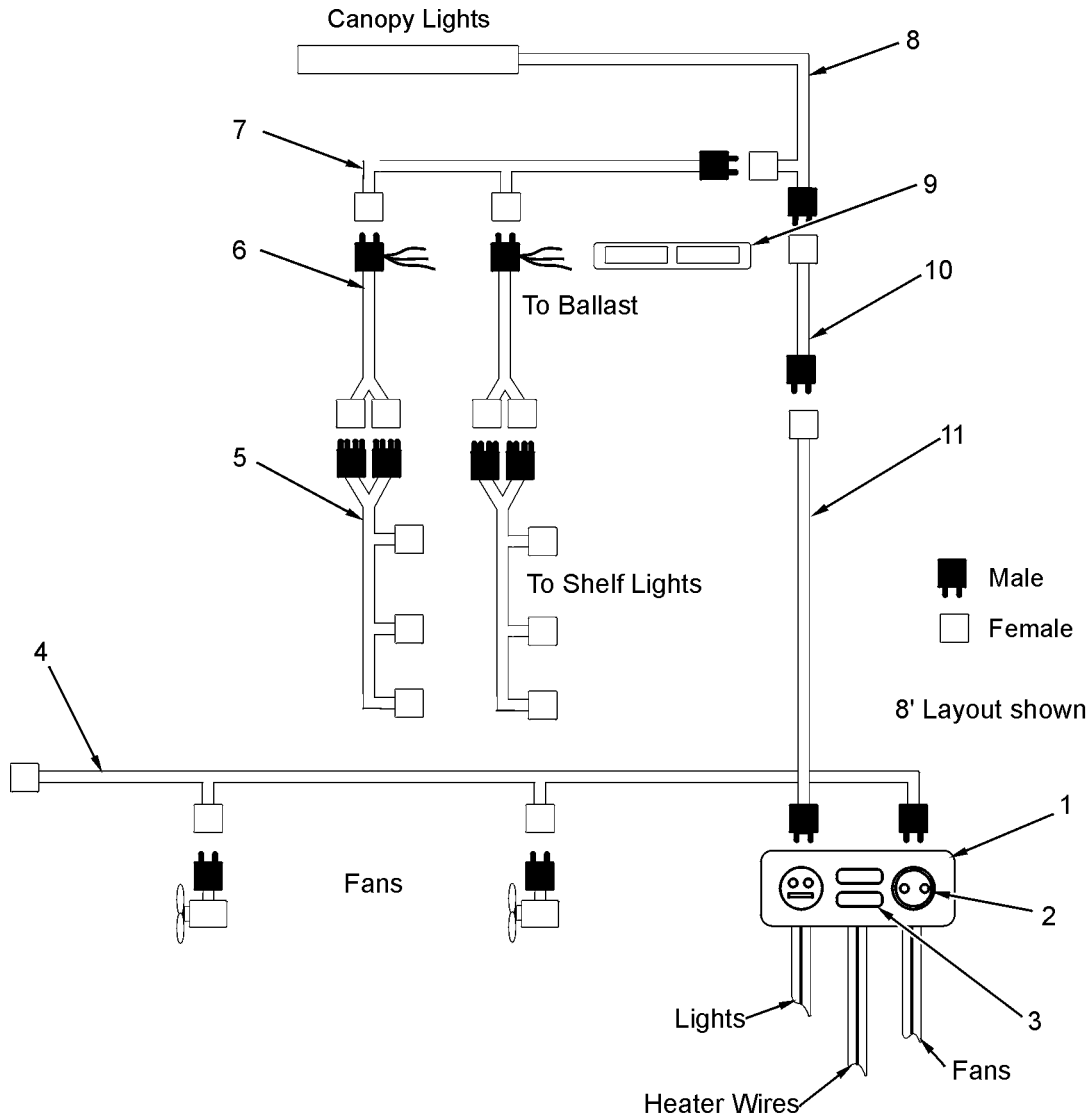
Part No.
9023234
9023235
9023236
9023237
9023238
9023239
9023240
9023241
9023242
9023243
9023244
9028998
9034508
9034509
9034510

Upper Corner Trim [Item 7]
(Produce Extender)

Part No.	Color
9025465	White
9026186	Bone White
9026187	Misty Gray
9026188	Pearl
9026189	Oatmeal
9026190	Soft Sand
9026191	Chromium
9026192	Cool Gray
9026193	Oyster
9026194	Black
9026445	Pearly Gates
9028881	Steel Gray
9031888	Chocolate
9031889	Mocha
9031890	Stone



ELECTRICAL SYSTEM COMPONENTS
WIRING HARNESSSES - N1P/N4P/N4PD
Wiring and Components

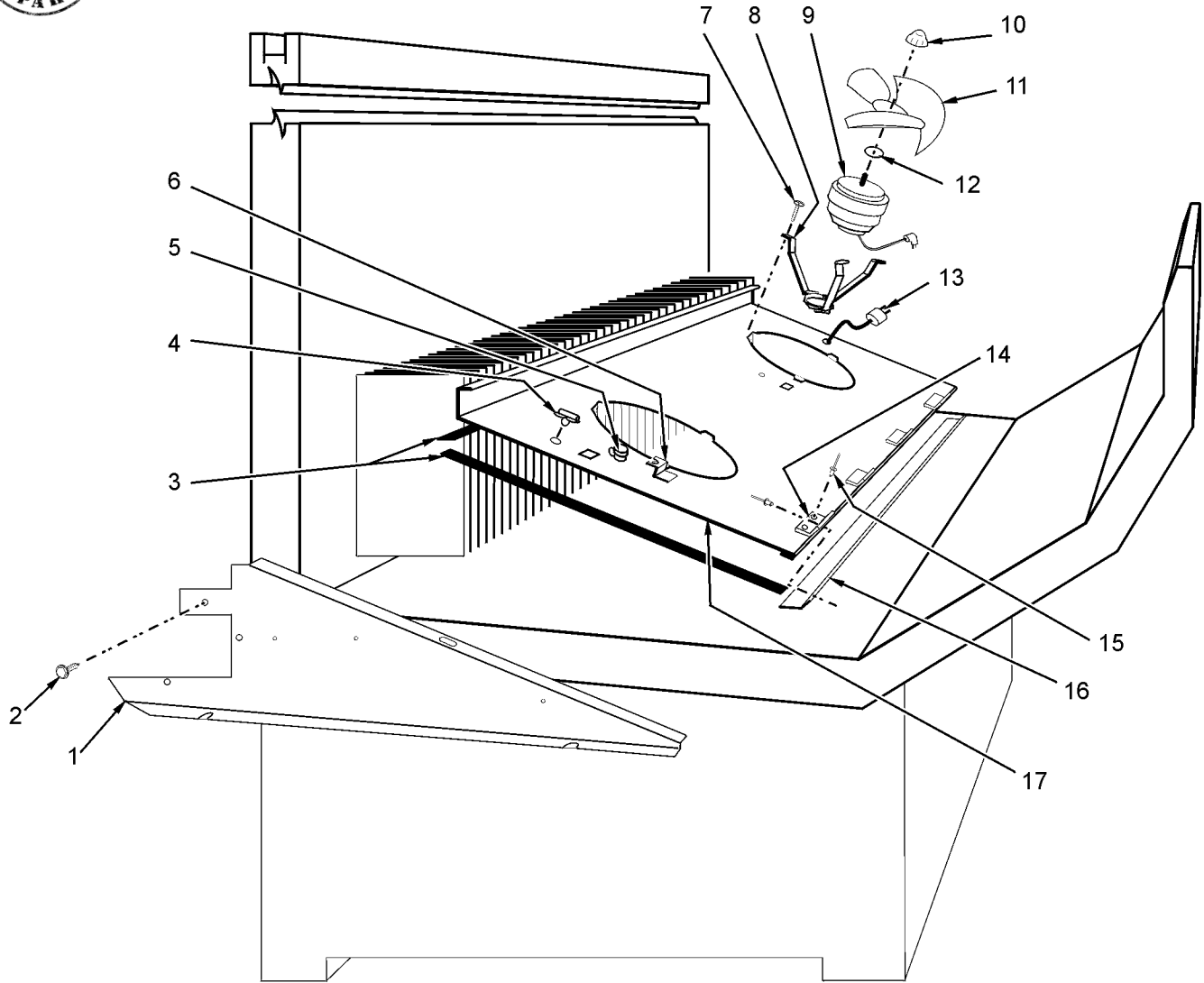


8' and 12' Merchandiser

Item	Part No.	Quantity		Description	Item	Part No.	Quantity		Description
		8'	12'				8'	12'	
1	9041307	1	1	Power Input Harness	1	9026004	1	1	T-8 Ballast Assy., Shelf Light
2	5202500	1	1	Dummy Plug	1	9026005	-	1	T-8 Ballast Assy., Shelf Light
3	5149769	2	2	Dummy Plug	2	5991030	2	3	Ballast
4	5211558	1	-	Fan Harness	1	9025999	1	2	Bracket
	5211559	-	1	Fan Harness	4	5100379	4	6	Screw
5	9025917	2	3	Opt. Shelf Light Harness, WHT	4	5100661	4	6	Nut
	9028122	2	3	Opt. Shelf Light Harness, BLK	4	5100970	4	6	Washer
6	9025919	2	3	Opt. Top Duct Harness	4	5101000	4	6	Lockwasher
7	9026529	1	2	Opt. Shelf Power Feed Harness	4	5103997	4	6	Ext. Tooth Lockwasher
8	9041894	1	1	Canopy Power SW Harness	10	9041309	1	1	Top Shelf LTG Harness
9	5991029	1	-	T-8 Ballast, Canopy Light	11	9041308	1	1	Light Supply Harness
	5991030	-	1	T-8 Ballast, Canopy Light					



ELECTRICAL SYSTEM COMPONENTS - (CONT'D)
 FAN SYSTEMS - N1P/N4P

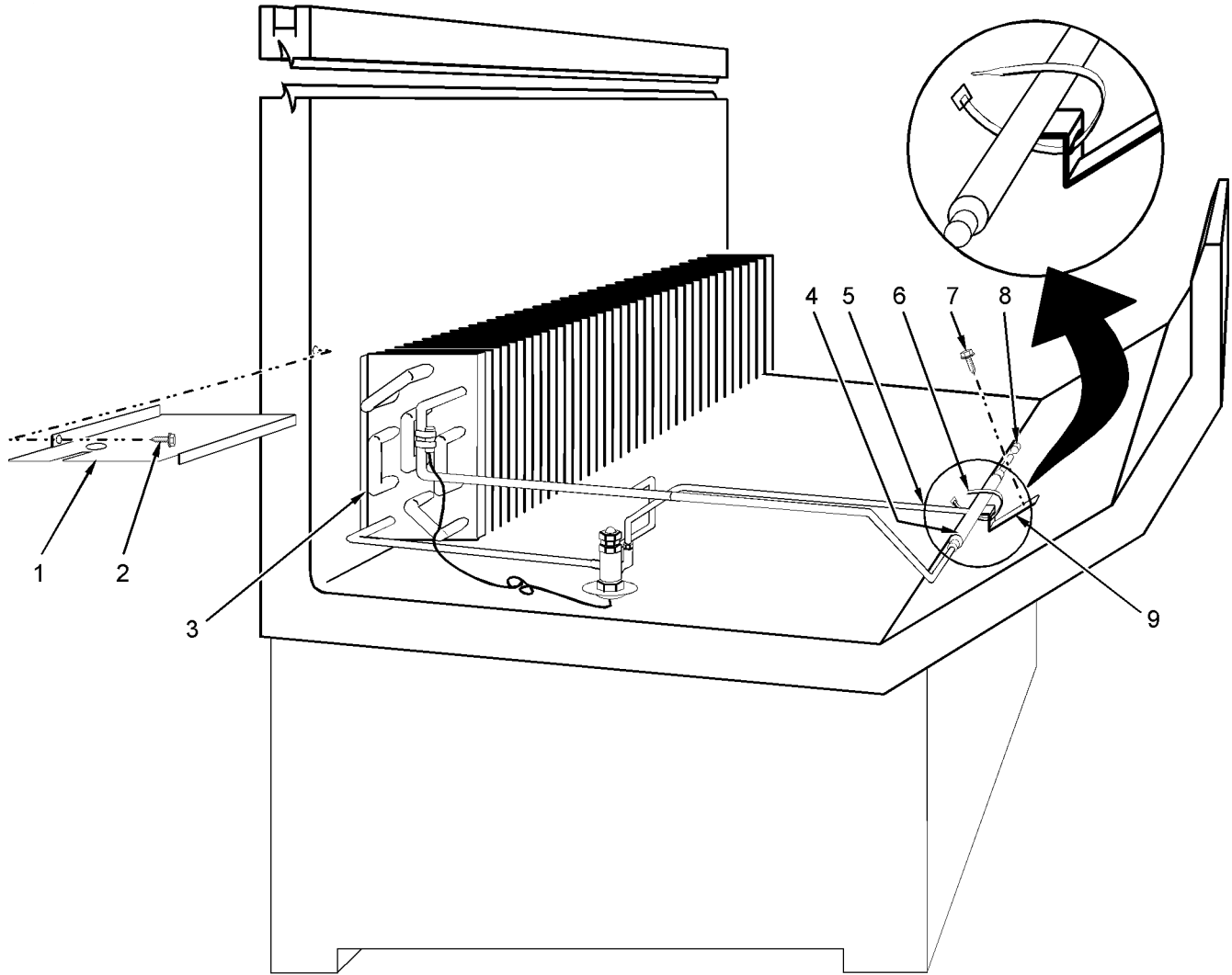


8' and 12' Merchandiser

Item	Part No.	Quantity		Description	Item	Part No.	Quantity		Description
		8'	12'				8'	12'	
1	9028547	1	1	RH Fan Panel Close-off	9	5125532	2	3	Motor
	9028548	1	1	LH Fan Panel Close-off	10	----	2	3	Nut (furn. w/motor)
2	5183536	6	6	Screw	11	5960943	2	3	Fan Blade, 7" 20° 5B (L1P)
3	5107190	A/R	A/R	Ethofoam Gasket		5221604	2	3	Fan Blade, 7" 40° 5B (L4P)
4	5185321	2	2	Fastener, Q-4	12	----	2	3	Washer (furn. w/motor)
5	5123674	3	4	Strain Relief	13	5211558	1	-	Fan Harness
6	5206177	2	3	Fan Harness Clip		5211559	-	1	Fan Harness
	5183536	2	3	Screw	14	5186058	4	5	Hinge
7	5183536	6	9	Screw	15	5104702	16	20	Rivet
*	5226523	2	3	Fan Motor & Bracket Assy. (L1P)	16	5198849	1	-	Fan Panel Hinge Retainer
*	5226524	2	3	Fan Motor & Bracket Assy. (L4P)		5198850	-	1	Fan Panel Hinge Retainer
8	5962269	6	9	Bracket		5214669	A/R	A/R	Silaprene Adhesive
	9041077	2	3	Fan Bracket Mounting Plate	17	5223521	1	-	Fan Panel
						5223522	-	1	Fan Panel



REFRIGERATION SYSTEM COMPONENTS
COIL ASSEMBLIES - N1P/N4P

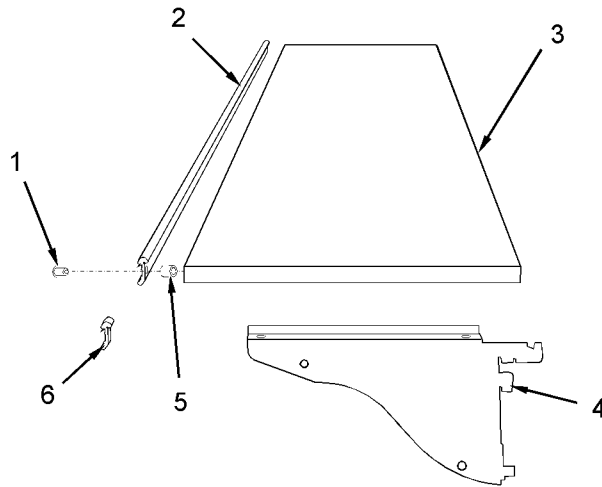


8' and 12' Merchandiser

Item	Part No.	Quantity		Description
		8'	12'	
1	5198725	1	1	RH Coil Close-off
	5198726	1	1	LH Coil Close-off
2	5183536	4	4	Screw
3	5224706	1	-	Coil Fitting Assy.
	5224705	-	1	Coil Fitting Assy.
4	5224701	1	1	Heat Exchanger Assy.
5	9035179	1	1	Liquid Line (to expansion valve tube)
6	5180826	1	1	Cable Ties
7	5183536	2	2	Screw
8	5198296	1	1	Cap
9	5199097	1	1	Heat Exchanger Support



OPTIONAL CASE ACCESSORIES
SHELF ASSEMBLIES - N4P/N4PD
 Optional 15" & 18" Shelves w/o Lights



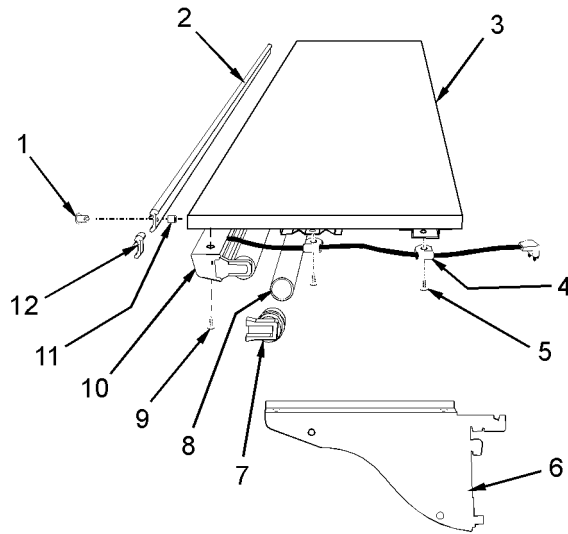
Item	Part No.	Qty.	Description	Item	Part No.	Qty.	Description
*	5619373	1	Solid Shelf Assy., 15" x 48" PTD	*	5184620	1	Shelf Bench Assy., 18" x 48" PTD
*	5955921	1	Solid Shelf Assy., 15" x 48" MM/SS	*	5955917	1	Shelf Bench Assy., 18" x 48" MB/SS
*	9021262	1	Solid Shelf Assy., 15" x 48" BRT/SS	*	5619374	1	Shelf Bench Assy., 18" x 48" BRT/SS
*	5619374	1	Solid Shelf Assy., 18" x 48" PTD	3	5220612	1	15" x 48" Shelf, PTD
*	5955922	1	Solid Shelf Assy., 18" x 48" MB/SS		5950571	1	15" x 48" Shelf, MB/SS
*	5957493	1	Solid Shelf Assy., 18" x 48" BRT/SS		5944622	1	15" x 48" Shelf, BRT/SS
1	5144974	4	Rivet		5220613	1	18" x 48" Shelf, PTD
2	5236879	1	Narrow Card Molding		5950572	1	18" x 48" Shelf, MB/SS
*	5220638	1	Shelf Bench Assy., 15" x 48" PTD		5944623	1	18" x 48" Shelf, BRT/SS
*	5955916	1	Shelf Bench Assy., 15" x 48" MM/SS	4	5185810	1	RH 15" Shelf Bracket, PTD
*	9027460	1	Shelf Bench Assy., 15" x 48" BRT/SS		5185811	1	LH 15" Shelf Bracket, PTD
					5088412	1	RH 18" Shelf Bracket, MB/SS
					5088413	1	LH 18" Shelf Bracket, MB/SS
				5	5127438	4	Spacer
				6	5941919	1	Card Molding Joint Trim



OPTIONAL CASE ACCESSORIES - (CONT'D)

SHELF ASSEMBLIES - N4P/N4PD

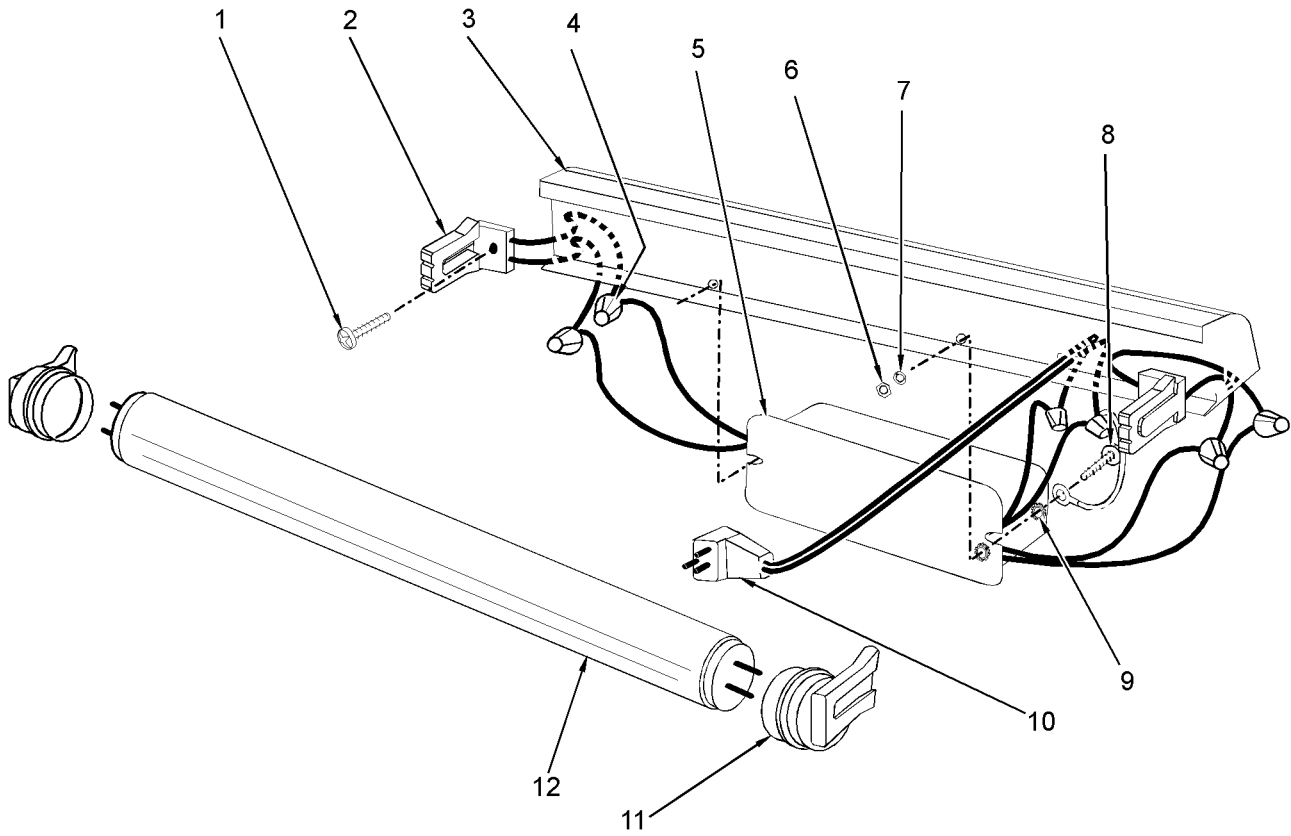
Optional 15" & 18" Shelves w/ T-8 Light



Item	Part No.	Qty.	Description	Item	Part No.	Qty.	Description
*	9020935	1	Solid Lighted Shelf Assy., 15" x 48" PTD	*	9027456	1	Lighted Shelf Bench Assy., 18" x 48" BRT/SS
*	9021274	1	Solid Lighted Shelf Assy., 15" x 48" MB/SS	*	9027356	1	Lighted Shelf Bench Assy., 18" x 48" WPC
*	9021266	1	Solid Lighted Shelf Assy., 15" x 48" BRT/SS	*	9027361	1	Lighted Shelf Bench Assy., 18" x 48" BPC
*	9021250	1	Solid Lighted Shelf Assy., 15" x 48" WPC	3	5220612	1	15" x 48" Shelf, PTD
*	9021258	1	Solid Lighted Shelf Assy., 15" x 48" BPC		5950571	1	15" x 48" Shelf, MB/SS
*	9020936	1	Solid Lighted Shelf Assy., 18" x 48" PTD		5944622	1	15" x 48" Shelf, BRT/SS
*	9021275	1	Solid Lighted Shelf Assy., 18" x 48" MB/SS		5237745	1	15" x 48" Shelf, WPC
*	9021267	1	Solid Lighted Shelf Assy., 18" x 48" BRT/SS		5643509	1	15" x 48" Shelf, BPC
*	9021251	1	Solid Lighted Shelf Assy., 18" x 48" WPC		5220613	1	18" x 48" Shelf, PTD
*	9021259	1	Solid Lighted Shelf Assy., 18" x 48" BPC		5950572	1	18" x 48" Shelf, MB/SS
1	5144974	4	Rivet		5944623	1	18" x 48" Shelf, BRT/SS
2	5236879	1	Narrow Card Molding		5237746	1	18" x 48" Shelf, WPC
*	9026106	1	Lighted Shelf Bench Assy., 15" x 48" PTD		5643510	1	18" x 48" Shelf, BPC
*	9027445	1	Lighted Shelf Bench Assy., 15" x 48" MB/SS	4	5100902	2	Clip
*	9227455	1	Lighted Shelf Bench Assy., 15" x 48" BRT/SS	5	5619204	2	Screw
*	9027355	1	Lighted Shelf Bench Assy., 15" x 48" WPC	6	5185810	1	RH 15" Shelf Bracket, PTD
*	9027360	1	Lighted Shelf Bench Assy., 15" x 48" BPC		5185811	1	LH 15" Shelf Bracket, PTD
*	9026107	1	Lighted Shelf Bench Assy., 18" x 48" PTD		5088412	1	RH 18" Shelf Bracket, MB/SS
*	9027446	1	Lighted Shelf Bench Assy., 18" x 48" MB/SS		5088413	1	LH 18" Shelf Bracket, MB/SS
				7	5981627	2	Lampshield Caps
				8	5981622	1	Lampshield, T-8 46"
				9	5183536	3	Screw
				10	9026104	1	Light Channel Assy., PTD
					9027391	1	Light Channel Assy., MB/SS
					9027390	1	Light Channel Assy., BRT/SS
					9025984	1	Light Channel, PTD
					9027486	1	Light Channel, MB/SS
					9027487	1	Light Channel, BRT/SS
					9027906	1	Shelf Harness (furn. w/ wired lampholders)
					5217544	2	Lampholders (replacement only)
				11	5127438	4	Spacer
				12	5941919	1	Card Molding Joint Trim



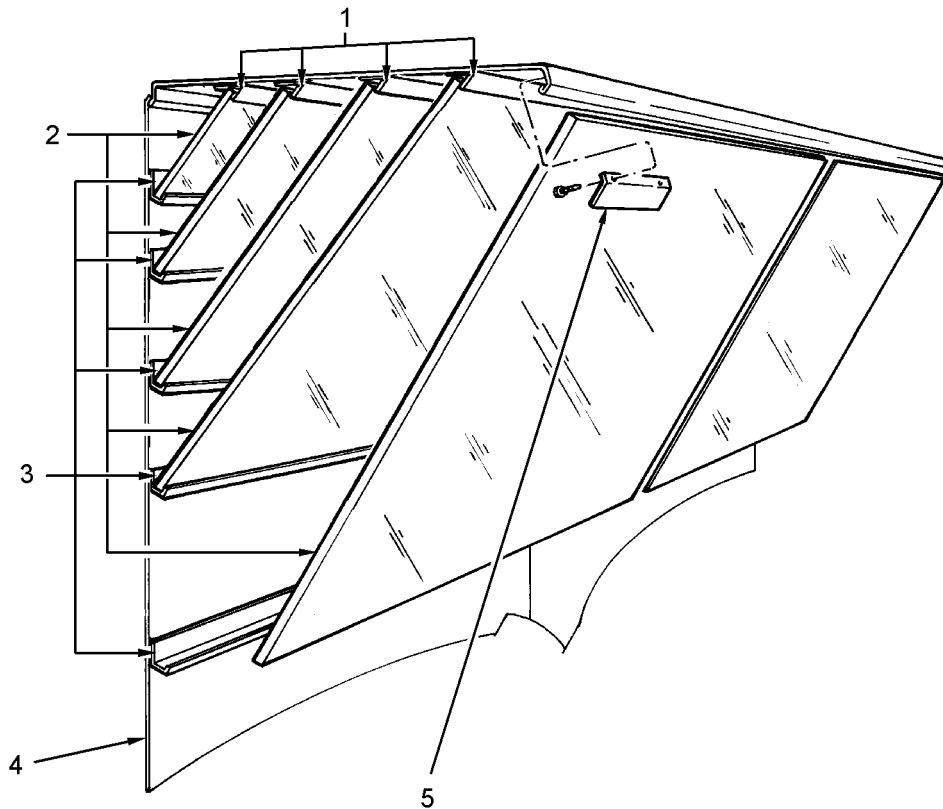
OPTIONAL CASE ACCESSORIES - (CONT'D)
 SHELF ASSEMBLIES - N4P/N4PD
 Optional T-8 Shelf Light Assembly



Item	Part No.	Qty.	Description	Item	Part No.	Qty.	Description
1	5214107	2	Screw	5	9026004	1	Ballast Assy.
2	5232279	2	Lampholder	9025999	1	Ballast Bracket	
3	9025984	1	Shelf Light Channel	5991030	2	Ballast, 3-Lamp	
4	5106239	14	Wire Nuts	5101000	4	Lockwasher	
5	9026004	1	Ballast Assy.	5103997	4	Lockwasher	
				5100661	4	Nut	
				6	5111198	1	Nut
				7	5100387	2	Lockwasher
				8	5185153	1	Screw
				9	5103997	1	Lockwasher
				10	9027906	1	Light Channel Harness
				11	5981627	2	Lampholder Cap
				12	5981622	1	Lampshield
					----	1	Lamp



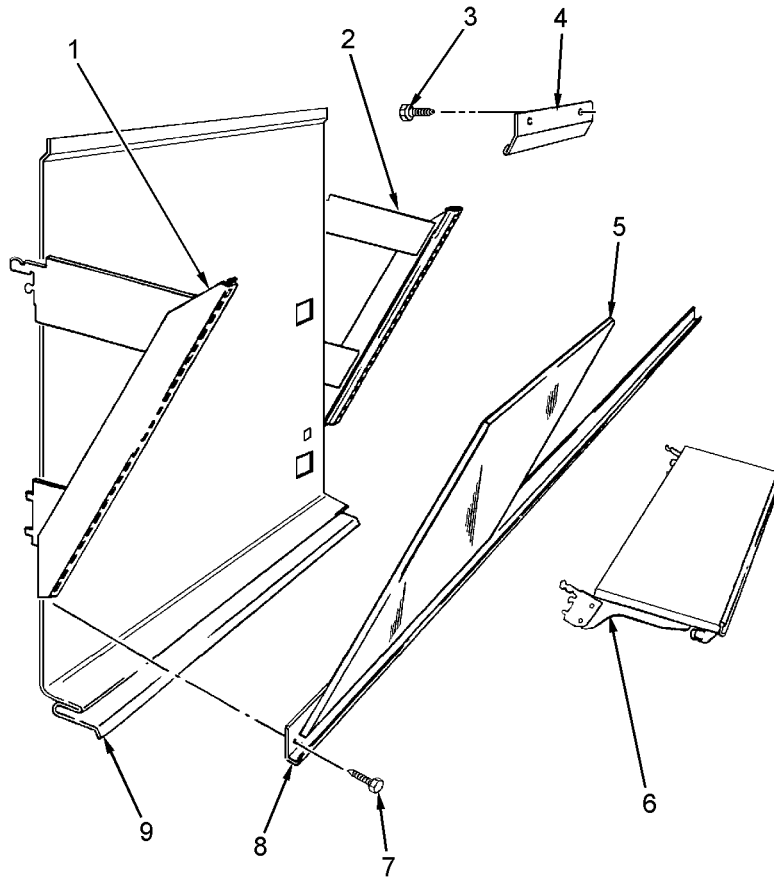
OPTIONAL CASE ACCESSORIES - (CONT'D)
 8", 12", 16", 23" and 30" MIRROR ASSEMBLIES - N1P/N4P/N4PD



Item	Part No.	Quantity		Description	Item	Part No.	Quantity		Description
		8'	12'				8'	12'	
1	5185247	1	-	Upper Mirror Support	5635641	1	2	Mirror, 47 7/8" x 7 1/2" (N4PD)	
	5185248	-	1	Upper Mirror Support	5949851	1	2	Mirror, 47 7/8" x 11 1/2"	
	5608283	1	-	Upper Mirror Support	5185235	1	2	Mirror, 47 15/16" x 15 1/4"	
				(N4PD - 16" mirror)	5125156	1	2	Mirror, 47 7/8" x 22 15/16"	
	5608284	-	1	Upper Mirror Support	5199021	2	3	Mirror, 47 7/8" x 31 5/8"	
				(N4PD - 16" mirror)	3	5195617	1	-	Lower Mirror Support
	5059254	2	3	Mirror Retainer	5195618	-	1	Lower Mirror Support	
	5127438	8	8	Spacer (N4PD - 8" mirror)	5183536	6	9	Screw	
	5183536	11	16	Screw (N1P/N4P/N4PD)	5123781	6	9	Screw (L4PD - 8" mirror)	
	5123781	11	16	Screw (N4PD - 8" mirror)	5123781	6	9	Screw (30" mirror)	
2	5635642	1	2	8" Mirror Assy. (N4PD only)	4	5997509	2	3	Rear Duct (N1P only)
	5949852	1	2	12" Mirror Assy.	5234320	2	3	Rr. Duct Close-off (12" mirror)	
	5185234	1	2	16" Mirror Assy.	5231595	2	3	Rr. Duct Close-off (16" mirror)	
	5050057	1	2	23" Mirror Assy.	5231596	2	3	Rr. Duct Close-off (23" mirror)	
	5199020	1	2	30" Mirror Assy.	5203010	2	3	Rr. Duct Close-off (30" mirror)	
	5217326	1	1	30" Mirror Assy.	9026091	4	6	Outlet Cover (N1P only)	
	5217327	2	3	Mirror Lower Trim (30" only)	5048626	4	6	Screw (N1P only)	
	5145866	1	2	Joint Gasket	5183536	12	18	Screw (12" mirror)	
	5615068	1	2	Joint Gasket (23" mirror)	5183536	24	36	Screw (16" & 23" mirrors)	
	5201233	1	2	Joint Gasket (30" mirror)	5	5199115	2	3	Mirror Retainer (30" mirror)
	5214669	1	2	Adhesive	5123781	4	6	Screw (30" mirror)	



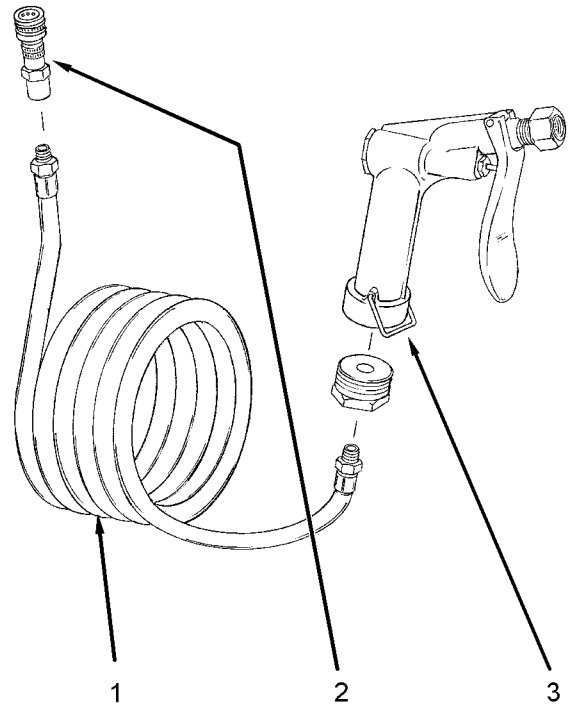
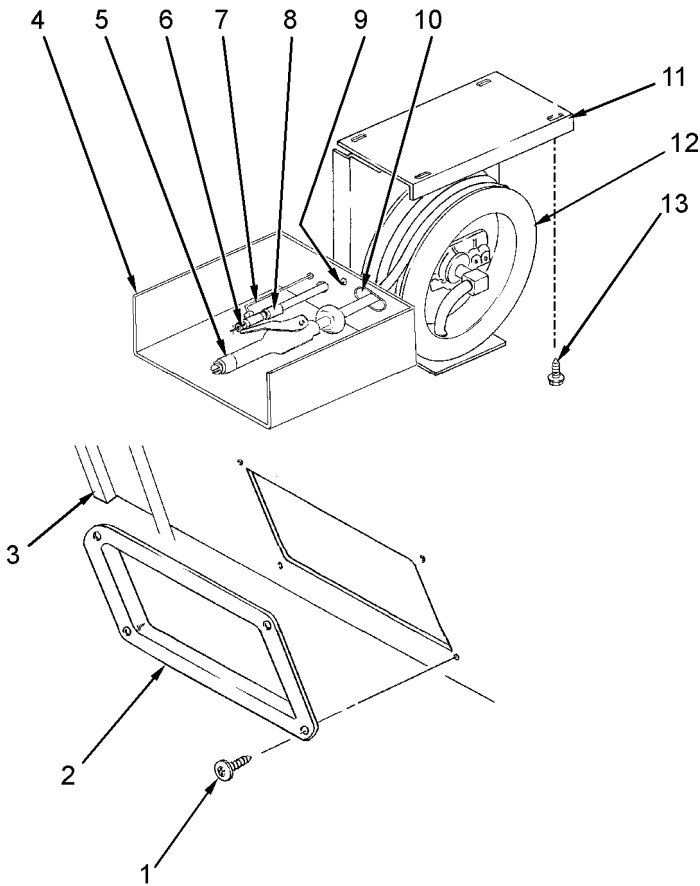
OPTIONAL CASE ACCESSORIES - (CONT'D)
 CONVERTIBLE MIRROR ASSEMBLIES - N4P/N4PD



Item	Part No.	Quantity		Description	Item	Part No.	Quantity		Description
		8'	12'				8'	12'	
1	5091511	2	3	LH Angled Upright Assy.	5203896	2	3	15" Shelf Assy. w/o Lights	
2	5091512	2	3	RH Angled Upright Assy.	5199909	1	1	Adj. Bracket Assy. LH	
3	5123781	4	6	Screw	5199910	1	1	Adj. Bracket Assy. RH	
4	5199115	2	3	Mirror Retainer	5220638	1	1	Shelf w/o Lights 15X48	
5	5199908	2	3	Mirror, 32" x 46 7/8"	9042947	2	2	Retainer Shelf Clip	
6	5203895	2	3	15" Shelf Assy. w/ Lights	5941919	1	1	CD MLDG Jt Trim	
	5199909	1	1	Adj. Bracket Assy. LH	7	5123781	5	7	Screw
	5199910	1	1	Adj. Bracket Assy. RH	8	5195617	1	-	Lower Mirror Support
	5220491	1	1	Harness		5195618	-	1	Lower Mirror Support
	5220541	1	1	Shelf w/Lights 15X48 T-12 Assy.	9	5263010	2	3	Rear Duct
	5127438	4	4	Spacer					
	5220530	1	1	Light Channel-40W					
	5217579	2	2	Cap for Tombstone Lampholder					
	5144974	4	4	Rivet					
	5183536	3	3	Screw					
	5236879	1	1	Extruded Alum w/HLS 1"					
	5100902	1	1	Clamp 5/16"					
	9042947	2	2	Retainer Shelf Clip					
	5941919	1	1	CD MLDG Jt Trim					



OPTIONAL CASE ACCESSORIES - (CONT'D)
 WATER STATION COMPONENTS - N1P/N4P

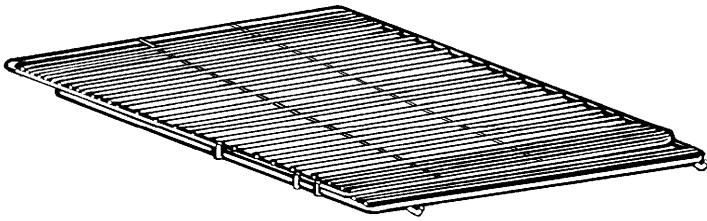


Item	Part No.	Quantity		Description
		8'	12'	
*	9020500	1	-	Water Station Assy.
*	9020501	-	1	Water Station Assy.
1	5119813	4	4	Screw
2	5631573	1	1	Ferrule Insert
3	9030270	1	-	Lwr. Front Cladding w/Cutout
	9030271	-	1	Lwr. Front Cladding w/Cutout
*	5213244	1	1	Hose Reel Water Station
4	5213245	1	1	Control Housing
5	5145598	1	1	Water Nozzle
	5146233	1	1	Reducer Bushing
6	5964423	1	1	Needle Valve
7	5964427	1	1	Water Line
8	5964426	1	1	1/8" Coupling
	5964424	1	1	1/8" Pipe Nipple
9	5111242	2	2	Screw
	5103997	2	2	Washer
	5100650	2	2	Nut
10	5213201	1	1	Grommet
11	5213238	1	1	Mounting Bracket Assy.
12	5080312	1	1	Hose Reel Assy. w/18' Hose
13	5183536	4	4	Screw

Item	Part No.	Qty.	Description
*	5052302	1	12' Spray Hose Assy.
*	5953159	1	18' Spray Hose Assy.
*	5208314	1	24' Spray Hose Assy.
*	5996515	1	30' Spray Hose Assy.
1	5195920	1	12' Hose
	5953158	1	18' Hose
	5208315	1	24' Hose
	5996514	1	30' Hose
2	5195921	1	Female Socket
3	5925354	1	Spray Nozzle

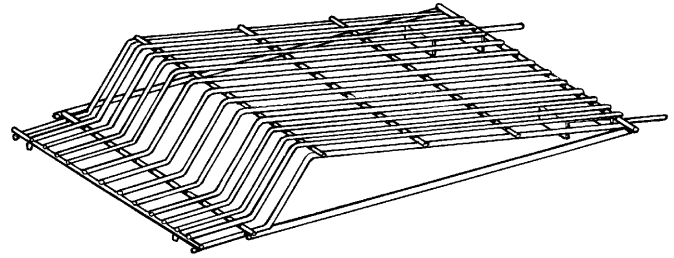


OPTIONAL CASE ACCESSORIES - (CONT'D)
SCREENS, DIVIDERS, FENCES AND TRAYS



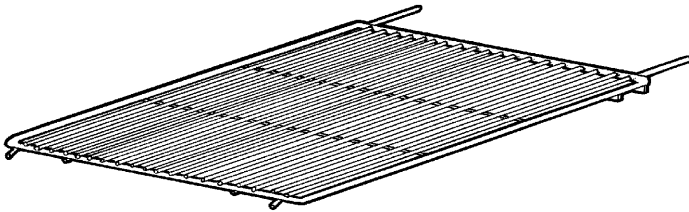
Adjustable Telescoping Screen

Item	Part No.	Quantity		Description
		8'	12'	
-	5637453	4	6	Telescoping Screen, GPC
-	5946888	4	6	Telescoping Screen, WPC
-	5999842	4	6	Telescoping Screen, BPC



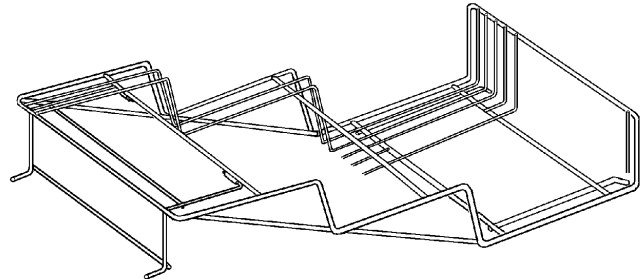
Optional Hump Screen

Item	Part No.	Qty.	Description
-	5198974	1	7" Hump Screen, WPC
-	5997844	1	7" Hump Screen, BPC
-	5941106	1	10" Hump Screen, WPC
-	5950039	1	10" Hump Screen, WPC
-	5637585	1	10" Hump Screen, GPC
-	9035391	1	10" Hump Screen, BPC
-	5603967	1	18" Hump Screen, WPC
-	9601238	1	22" Hump Screen, GPC



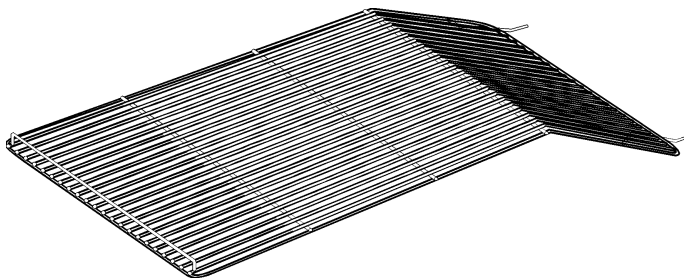
Adjustable Flat Screen

Item	Part No.	Quantity		Description
		8'	12'	
-	5996644	4	6	Adjustable Flat Screen, GPC
-	5999843	4	6	Adjustable Flat Screen, BPC



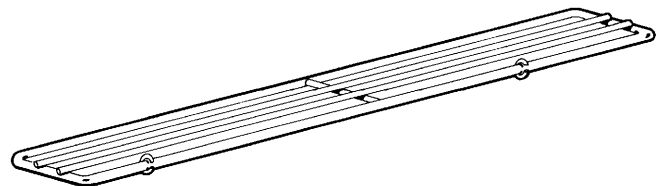
Optional Step Screen

Item	Part No.	Qty.	Description
-	5958662	1	3-Step Hump Screen w/ 10" Fence, GPC
-	5986272	1	3-Step Hump Screen w/ 5" Fence, GPC
-	5603881	1	3-Step Screen w/ 4" Lip, GPC
-	9030918	1	3-Step Screen w/ 4" Lip, BPC
-	5981101	1	4-Step Screen w/ 4" Lip, GPC



Optional Angled Screen

Item	Part No.	Qty.	Description
-	5233965	1	Angled Screen, GPC (18" angle w/ 4 3/8" lip))

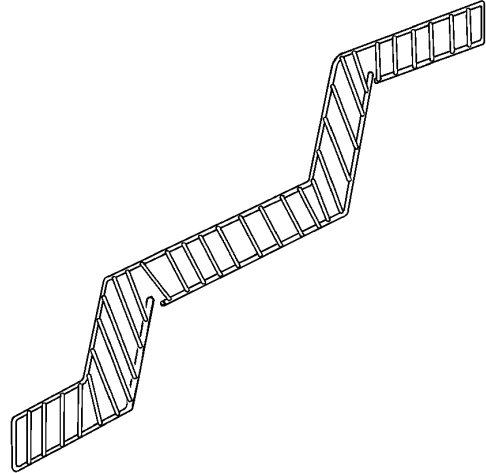
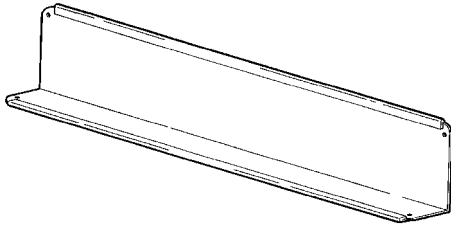


Optional 2 1/2" Screen Extension

Item	Part No.	Qty.	Description
-	5103675	1	2 1/2" Screen Extension, WPC
-	5997845	1	2 1/2" Screen Extension, BPC
-	5959985	1	2 1/2" Screen Extension, GPC



OPTIONAL CASE ACCESSORIES - (CONT'D)
SCREENS, DIVIDERS, FENCES AND TRAYS

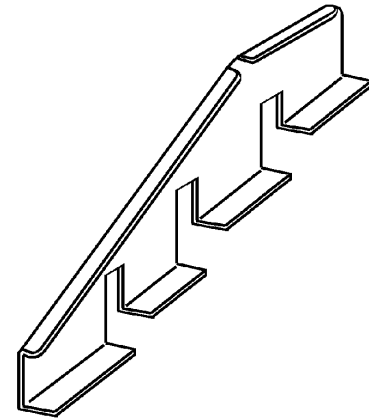
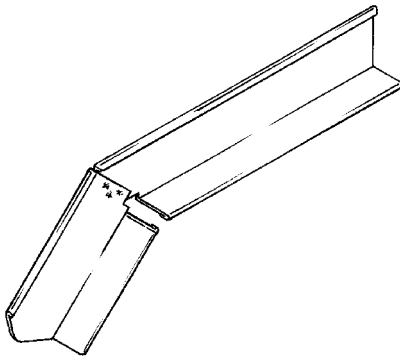


Optional "L" Divider

Item	Part No.	Qty.	Description
-	5959491	1	"L" Divider, WHT (17"D x 4"H)
-	5208279	1	"L" Divider, GRN (32 1/4"D x 6"H)
-	5950615	1	"L" Divider, GRN (14"D x 4"H)
-	5950616	1	"L" Divider, GRN(17"D x 4"H)
-	5962836	1	"L" Divider, GRN (23 9/16"D x 5"H)
-	5932584	1	"L" Divider, BLK(32 1/4"D x 5"H)

Optional 3-Step Wire Divider

Item	Part No.	Qty.	Description
-	5603882	1	3-Step Wire Divider, GPC
-	9030919	1	3-Step Wire Divider, BPC

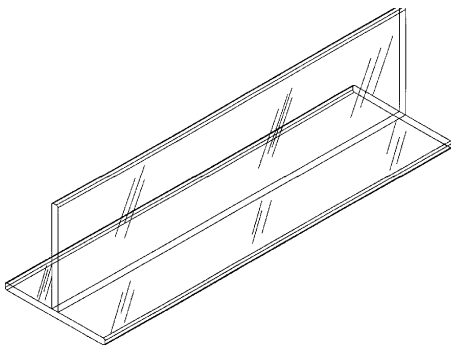


Optional Hump Screen Divider

Item	Part No.	Qty.	Description
-	5205181	1	7" Hump Screen Divider, GRN
-	5205182	1	10" Hump Screen Divider, GRN
-	5603938	1	18" Hump Screen Divider, GRN
-	5033055	1	18" Hump Screen Divider, BLK

Optional Step Solid Divider

Item	Part No.	Qty.	Description
-	5608243	1	3-Step Solid Divider, GRN
-	5990744	1	3-Step Solid Divider, GRN
-	5997224	1	3-Step Solid Divider, GRN
-	5981104	1	4-Step Solid Divider, GRN

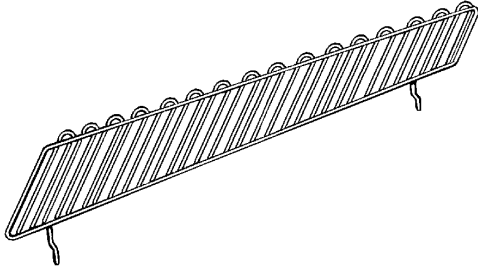


Optional Acrylic "T" Divider

Item	Part No.	Qty.	Description
-	9035390	1	"T" Divider, CLR (14" x 4" x 4")

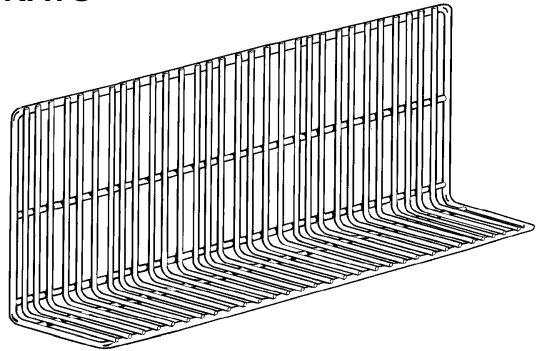


OPTIONAL CASE ACCESSORIES - (CONT'D)
SCREENS, DIVIDERS, FENCES AND TRAYS



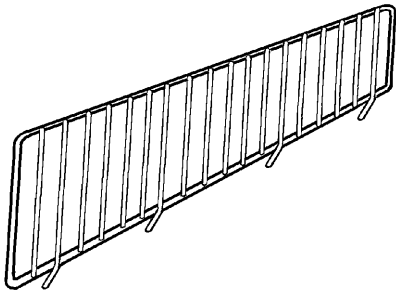
Optional Wire Front Fence

Item	Part No.	Qty.	Description
-	5199455	1	Wire Front Fence, SPC (48" x 6")
-	5993669	1	Wire Front Fence, GPC (48" x 6")



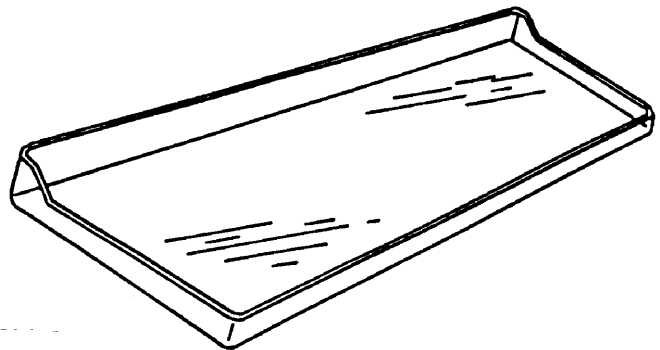
Optional Wire Product Stop

Item	Part No.	Qty.	Description
-	5996268	1	Wire Product Stop, GPC (48" x 6" x 8")



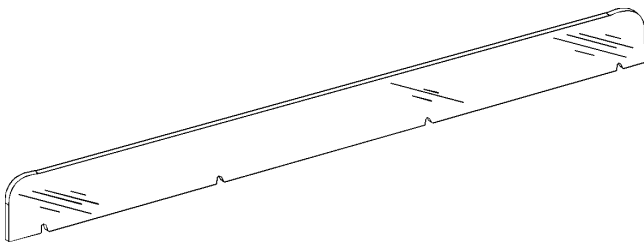
Optional Wire Fence

Item	Part No.	Qty.	Description
-	5212970	1	Wire Fence, WPC (48" x 3")
-	5997832	1	Wire Fence, FBPC (48" x 3")
-	5199454	1	Wire Fence, SPC (48" x 3")
-	5900473	1	Wire Fence, WPC (48" x 6")
-	5630386	1	Wire Fence, SPC (48" x 6")
-	5235216	1	Wire Fence, WPC (48" x 9")
-	5235215	1	Wire Fence, GPC (48" x 9")
-	5996873	1	Wire Fence, GPC (48" x 11")
-	5999466	1	Wire Fence, BPC (48" x 11")



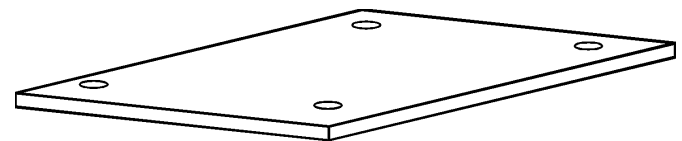
Optional Shelf Tray

Item	Part No.	Qty.	Description
-	5605365	1	15" Closed End Tray, PETG
-	5605366	1	18" Closed End Tray, PETG



Optional Plexiglas Fence

Item	Part No.	Qty.	Description
-	5964451	1	2" Plexiglas Fence, CLR
-	9035172	1	2" Plexiglas Fence, Smoke
-	5940289	1	3" Plexiglas Fence, CLR

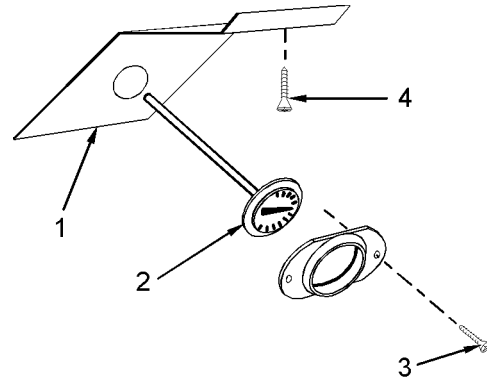
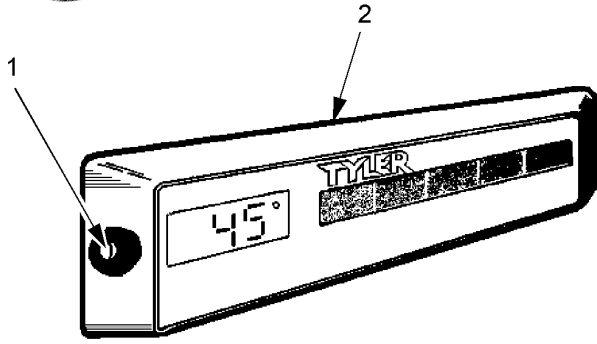


Optional Bottom & Ice Tray

Item	Part No.	Quantity		Description
		8'	12'	
-	5198918	4	6	STD Bottom Tray
-	5801869	4	6	Bottom Tray, BRT SS
-	5959852	4	6	Ice Tray, BRT SS
-	5989772	4	6	Ice Tary, MB SS



OPTIONAL CASE ACCESSORIES - (CONT'D) THERMOMETERS

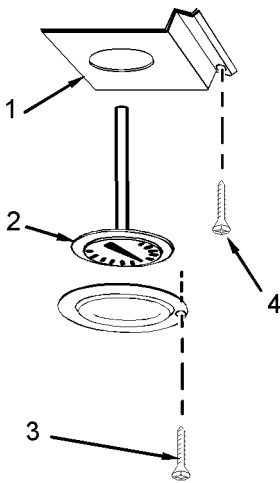


Digital Solar Thermometer

Item	Part No.	Qty.	Description
*	5991560	1	Digital Thermometer Assy., F°
*	5230914	1	Digital Thermometer Assy., C°
1	5230884	2	Screw
2	5239500	1	Digital Thermometer, F°
	5239501	1	Digital Thermometer, C°

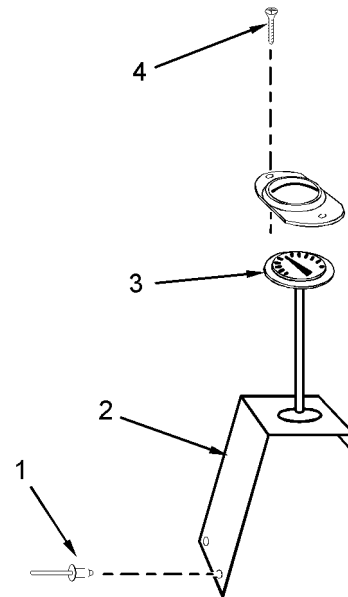
1" Dial Thermometer, Discharge Air

Item	Part No.	Qty.	Description
*	5627046	1	Thermometer Assy., Disc. Air
1	5204469	1	Thermometer Support
2	5203829	1	1" Dial Thermometer
	----	1	Mounting Ring (furnished with thermometer)
3	5219883	2	Screw
4	5048626	2	Screw



2" Dial Thermometer, Ret. & Disc. Air

Item	Part No.	Qty.	Description
*	5941573	1	Thermometer Assy., Ret. Air
*	9035537	1	Thermometer Assy., Ret. Air (w/ black face)
1	5216870	1	Thermometer Bracket
2	5204004	1	2" Dial Thermometer
	9035533	1	2" Dial Thermometer, BLK Face
	----	1	Mounting Ring (furnished with thermometer)
3	5199134	3	Screw
4	5619204	2	Screw
*	5018373	1	Thermometer Assy., Disc. Air
2	5204004	1	2" Dial Thermometer
	----	1	Mounting Ring (furnished with thermometer)
3	5199134	3	Screw

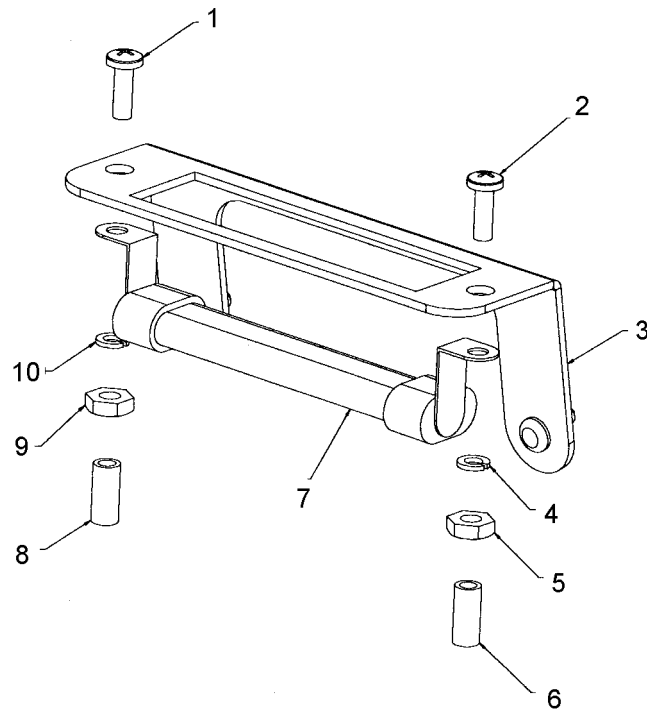


1" Dial Thermometer, Return Air

Item	Part No.	Qty.	Description
*	5204461	1	Thermometer Assy., Disc. Air
1	5105702	2	Rivet
2	5204468	1	Thermometer Support
3	5203829	1	1" Dial Thermometer
	----	1	Mounting Ring (furnished with thermometer)
4	5219883	2	Screw



STANDARD CASE THERMOMETER

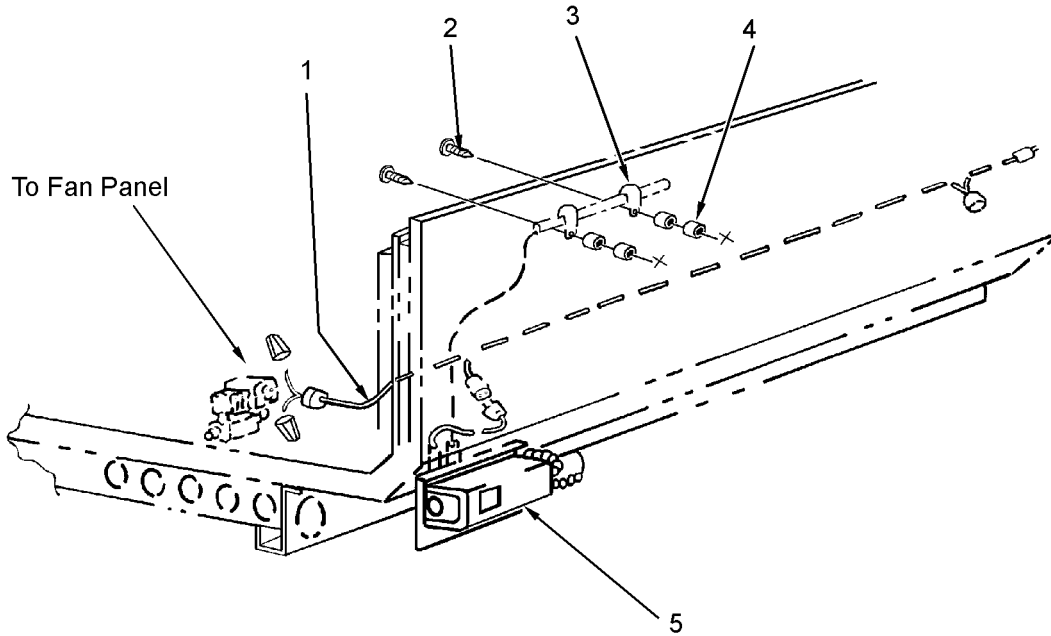


Standard Thermometer

Item	Part No.	Qty.	Description
*	9044991	1	Thermometer Assy.
1	5111197	1	Screw
2	5111197	1	Screw
3	9044990	1	Thermometer MTG Bracket
4	9603915	2	Lock Washer
5	5111198	1	Nut
6	9043078	1	Blue VNYL Cap
7	5967100	1	Pencil Thermometer
8	9043078	1	Blue VNYL Cap
9	5111198	1	Nut
10	9603915	1	Lock Washer



OPTIONAL CASE ACCESSORIES - (CONT'D)
THERMOSTATS
 Optional Thermostat Wired to Solenoid

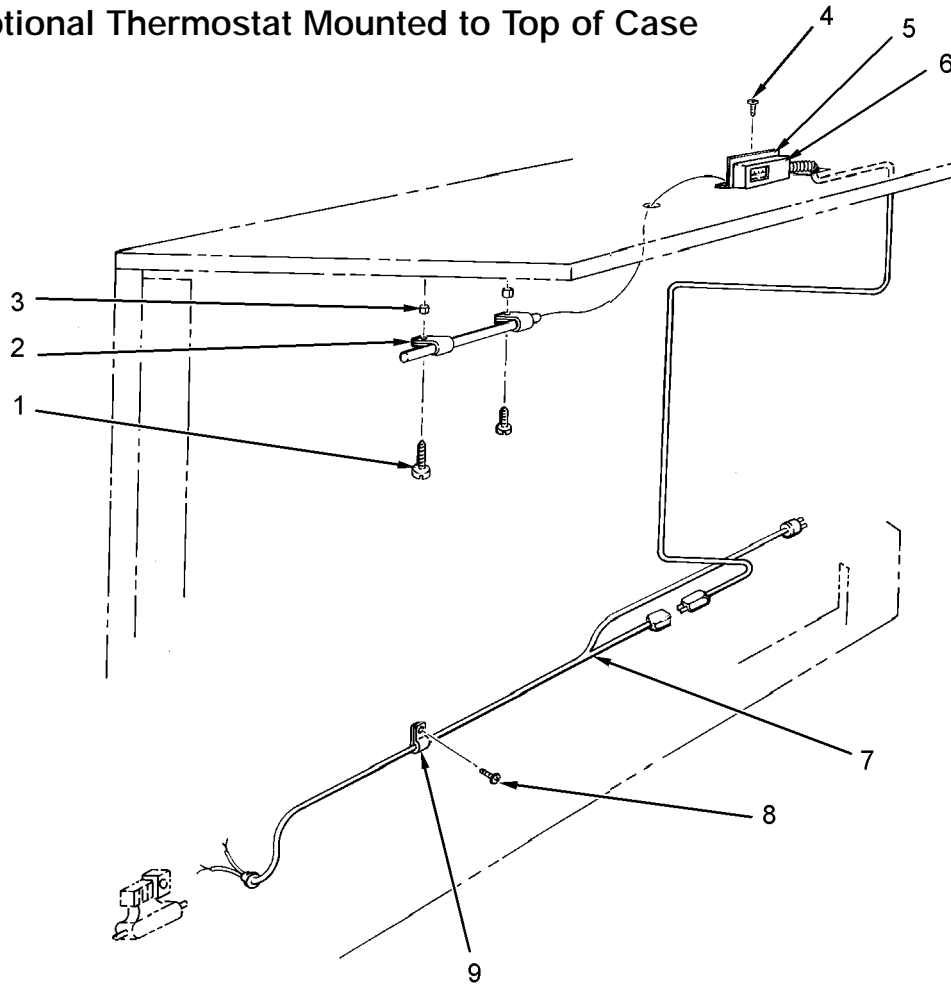


Item	Part No.	Qty.	Description
*	5216236	1	Thermostat Assy., Wired to Solenoid
1	5210359	1	Solenoid Harness
2	5053985	2	Screw
3	5106713	2	Tubing Clip
4	5127438	4	Spacer
5	5200442	1	Mounting Bracket
	5120943	7	Screw
	5218080	1	Thermostat Assy., Wired



OPTIONAL CASE ACCESSORIES - (CONT'D) THERMOSTATS

Optional Thermostat Mounted to Top of Case



Item	Part No.	Qty.	Description
*	5948177	1	Thermostat Assy., Top Mounted
1	5053985	2	Screw
2	5106713	2	Tubing Clip
3	5127438	4	Spacer
4	5120943	7	Screw
5	5200442	1	Mounting Bracket
6	5238828	1	Thermostat Assy., Wired
7	5210359	1	Solenoid Harness
8	5120943	3	Screw
9	5106713	3	Tubing Clip