

N3HM, N3HMG, N3HMHP, N3HMGHP

TC Coil™



N3MG(HP) with glass front shown



The N3HM family of extended height, semi-vertical display merchandisers have a taller interior that provides for the abundant presentation of meats and other medium temperature products. These models come in both solid front and glass front versions.

High Performance TC Coil™

High Performance (HP) Merchandisers feature our patented TC Coil™ design, which represents a major technology breakthrough for the commercial refrigeration industry. Developed jointly by Carrier Corporation and Tyler, the TC Coil enables HP merchandisers to operate more efficiently, providing energy savings that allow faster payback periods for food retailers.

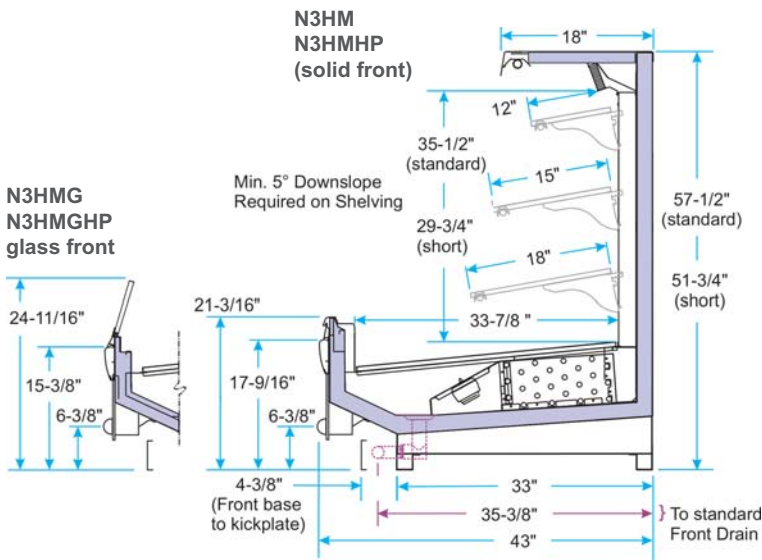
Note: For more information about Tyler high performance display merchandisers featuring TC Coil, go to the Technologies section of this catalog on page 8.

Features & Benefits

- ♦ Energy-efficient copper tube and aluminum fin coils.
- ♦ 18" top shelf adds merchandising flexibility.
- ♦ Single row of T8 canopy lights for increased product illumination.
- ♦ 6" angled clear front glass enhances product visibility (on N3HMG & N3HMGHP models).
- ♦ White powder-coated screen trays enhance product presentation.
- ♦ Solid steel base adds strength and durability.
- ♦ Easily removable interior components for quicker cleaning.
- ♦ Off-cycle defrost.

Options

- ♦ ECM fan motors for additional energy savings.
- ♦ Energy-efficient T8 shelf lighting with remote electronic ballasts.
- ♦ Multiple-depth shelving alternatives.
- ♦ 3 or 6 position shelf brackets for varied shelf display angles.
- ♦ Electric or gas defrost on N3HM & N3HMG models only.



Specifications are subject to engineering changes without notice.

Model	Case Length	Description	Capacity in Cubic Feet*
N3HM	6' • 8' • 12'	Solid front, 3-deck, standard coil	26.8 • 35.9 • 53.6
N3HMG	6' • 8' • 12'	Glass front, 3-deck, standard coil	26.8 • 35.9 • 53.6
N3HMHP	6' • 8' • 12'	Solid front, 3-deck, TC Coil	26.8 • 35.9 • 53.6
N3HMGHP	6' • 8' • 12'	Glass front, 3-deck, TC Coil	26.8 • 35.9 • 53.6

* Cubic capacity is based on one row each of 12", 15", and 18" shelves.

