

N3MGE, N3MGHPE Crown End

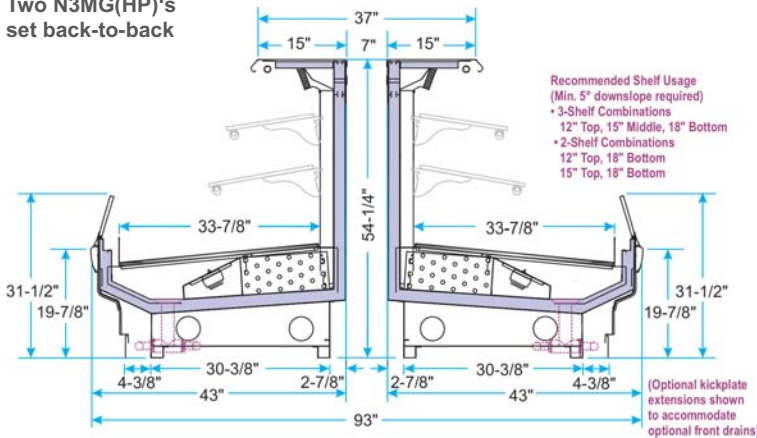
TC Coil™



N3MG or N3MGHP merchandisers can be set in a back-to-back configuration and joined at the end with two N3MGE or N3MGHPE crown ends to complete a full walk-around island merchandiser that is great for 360° display of meats, dairy, deli, pizza, bakery, and critical temperature produce.

Meat / Seafood

Two N3MG(HP)'s set back-to-back



High Performance TC Coil™

High Performance (HP) Merchandisers feature our patented TC Coil™ design, which represents a major technology breakthrough for the commercial refrigeration industry. Developed jointly by Carrier Corporation and Tyler, the TC Coil enables HP merchandisers to operate more efficiently, providing energy savings that allow faster payback periods for food retailers.

Note: For more information about Tyler high performance display merchandisers featuring TC Coil, go to the Technologies section of this catalog on page 8.

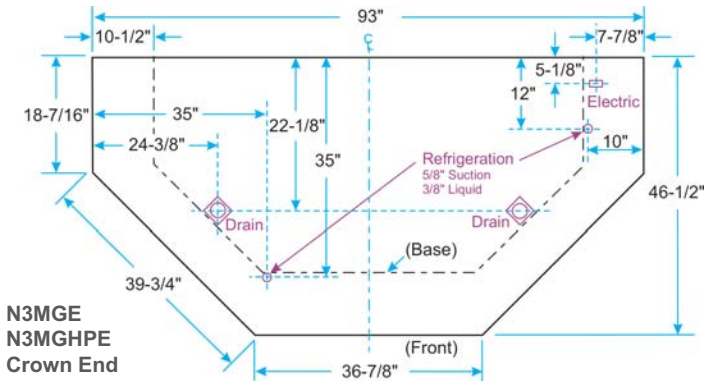
Features & Benefits

- Energy-efficient copper tube and aluminum fin coils.
- Top shelf adds merchandising flexibility.
- Single row of compact fluorescent canopy lights for increased product illumination.
- 6" angled clear front glass enhances product visibility.
- White powder-coated screen trays enhance product presentation.
- Solid steel base adds strength and durability.
- Easily removable interior components for quicker cleaning.
- Off-cycle defrost.

Options

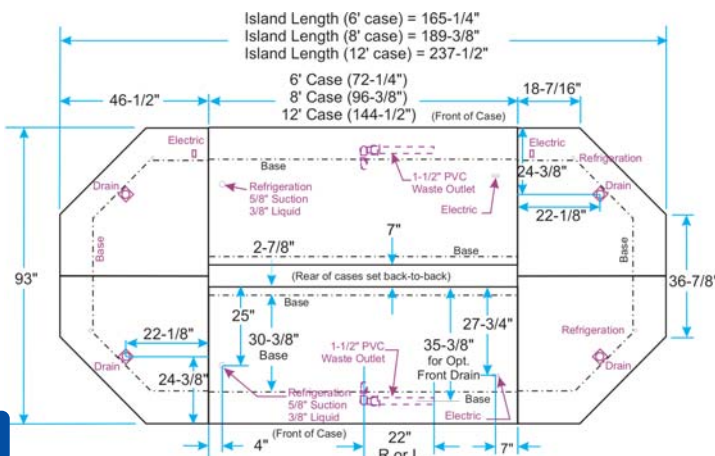
- ECM fan motors for additional energy savings.
- Multiple-depth shelving with or without compact fluorescent shelf lighting with remote electronic ballasts.
- Electric or gas defrost on N3MGE model only.

Specifications are subject to engineering changes without notice.



N3MGE
N3MGHPE
Crown End

NOTE: There are four separate Suction & Liquid Refrigeration Line connection points in this case. All Refrigeration Lines can connect to either side of the adjoining case-to-case lineup. The access holes in the back of the N3MGE case line up with the access holes in the ends of the N3MG case.



Island footprint shows back-to-back N3MG(HP)'s with two crown ends

Models	Case Length	Description	Capacity in Cubic Feet*
N3MGE N3MGHPE	93"	Crown End, 3-Deck, std coil Crown End, 3-Deck, TC Coil	31.2
(2) N3MG(HP)6 & (2) N3MG(HP)E	13' 9.25"	Glass Frt, 3-Deck Island, std coil Glass Frt, 3-Deck Island, TC Coil	106.2
(2) N3MG(HP)8 & (2) N3MG(HP)E	15' 9.38"	Glass Frt, 3-Deck Island, std coil Glass Frt, 3-Deck Island, TC Coil	120.9
(2) (N3MG(HP)12 & (2) N3MG(HP)E	19' 9.5"	Glass Frt, 3-Deck Island, std coil Glass Frt, 3-Deck Island, TC Coil	150.0

* Cubic capacity is based on one row of 15" shelves and one row of 18" shelves.