

## SPECIFICATION SHEET

- **N4M MULTI-SHELF, SOLID FRONT INSIDE & OUTSIDE MEAT CORNER MERCHANDISERS •**
- **N4MG MULTI-SHELF, GLASS FRONT INSIDE & OUTSIDE MEAT CORNER MERCHANDISERS •**
- **N4MHP HIGH PERFORMANCE MULTI-SHELF OUTSIDE MEAT CORNER MERCHANDISERS •**

### Refrigeration Data:

MODEL	CASE LENGTH	CASE USAGE	CAPACITY (BTUH / CASE)		EVAPORATOR (°F)	UNIT SIZING (°F)	DISCHARGE AIR		AVG. REF. CHARGE (LBS/CASE)
			PARALLEL	CONVENTIONAL			TEMPERATURE (°F)	VELOCITY (FPM)	
N4MG30IS	33-5/8"	MED TEMP	1,827*	2,088	+18**	+13	+32	N/A***	N/A
N4MG30OS	40-9/16"	MED TEMP	4,276*	4,887	+18**	+13	+32	N/A***	N/A
N4M45IS	43-1/2"	MED TEMP	2,597*	2,968	+18**	+13	+32	N/A***	N/A
N4MHP45OS	51-5/16"	MED TEMP	4,947*	5,600	+25**	+23	+28	N/A***	N/A
N4MG45IS	43-1/2"	MED TEMP	2,390*	2,731	+18**	+13	+32	N/A***	N/A
N4MG45OS	51-5/16"	MED TEMP	5,960*	6,811	+18**	+13	+32	N/A***	N/A
N4M90IS	71"	MED TEMP	3,361*	3,841	+18**	+13	+32	N/A***	N/A
N4M90OS	79-5/8"	MED TEMP	9,401*	10,744	+18**	+16	+32	N/A***	N/A

\* Capacity data listed for cases with one row of canopy lights. For sizing all refrigeration equipment other than TYLER, use conventional BTUH values.

\*\* Evaporator temperature is defined as the saturated suction temperature leaving the case.

\*\*\* Air velocity measured 1 hour after defrost at the top discharge air duct using an ALNOR JR. velometer with a scoop.

FOR SPECIFIC COMPRESSOR SIZING INFORMATION, REFER TO TYLER APPLICATIONS FOR RACK SYSTEM COMPRESSORS AND/OR THE COMPRESSOR MANUFACTURERS FOR SINGLE COMPRESSORS. FOR LINE SIZING INFORMATION, REFER TO THE MISCELLANEOUS SECTION "BUFF" IN THE TYLER SPECIFICATION GUIDE.

### Electrical Data:

Fans and Heaters (120 Volt)

MODEL	CASE LENGTH	FANS / CASE	TOTAL STANDARD FANS		TOTAL ECM FANS		TOTAL ANTI-SWEATS	
			AMPS	WATTS	AMPS	WATTS	AMPS	WATTS
N4MG30IS	33-5/8"	1	0.34	30.2	N/A	N/A	0.70	84.0
N4MG30OS	40-9/16"	1	0.34	30.2	N/A	N/A	0.26	31.2
N4M45IS	43-1/2"	1	0.34	30.2	N/A	N/A	0.70	84.0
N4MHP45OS	51-5/16"	1	0.80	71.0	N/A	N/A	0.14	16.8
N4MG45IS	43-1/2"	1	0.34	30.2	N/A	N/A	0.11	13.2
N4MG45OS	51-5/16"	1	0.34	30.2	N/A	N/A	0.29	34.8
N4M90IS	71"	1	0.34	30.2	N/A	N/A	0.11	13.2
N4M90OS	79-5/8"	1	0.34	30.2	N/A	N/A	0.14	16.8

### Defrost Data:

DEFROST TYPE	DEFROSTS PER DAY	DURATION TIME (MIN)	TERM. TEMP (°F)	ELEK. THERMOSTAT / AIR SENSOR SETTINGS			EPR SETTINGS ****		CONVENTIONAL COMPRESSOR SETTINGS *****				DEFROST WATER (LB / DAY)
				USAGE	CUT IN	CUT OUT	R22 (PSIG)	R404A (PSIG)	R22 (PSIG) CUT-IN CUT-OUT		R404A (PSIG) CUT-IN CUT-OUT		
TIME OFF	6	30	---	MED TEMP	---	---	41	53	---	---	---	---	N/A
ELECTRIC	6	36	50	MED TEMP	---	---	41	53	---	---	---	---	N/A
HOT GAS	6	12-15	55***	MED TEMP	---	---	41	53	---	---	---	---	N/A
TIME OFF* (N4MHP45OS)	2	28**	---	MED TEMP	28°F	26°F	49	62	47	36	60	47	N/A

\* All high performance cases use OFF CYCLE defrost.

\*\* NOTE: 28 minutes is for EPR with suction stop for defrost isolation. Defrost time increases by six minutes (34 min. total) when defrost isolation is by pump down.

\*\*\* If an Electronic Sensor is used for termination, it should be set at 70°F termination temperature. The sensor must be located in the same location as the defrost termination klixon for that defrost type.

\*\*\*\* If EPR is utilized, use the settings shown in the chart. NOTE: The customer will need to set the EPR on the parallel rack or single unit to the appropriate suction temperature and the high performance case lineups must be on a separate suction stub with a separate EPR. ADD 0.5# to EPR setting for each 1000 foot rise in elevation.

\*\*\*\*\* Required setup for a conventional unit uses an electronic thermostat to assure accurate temperature control.

**DEFROST CIRCUITS:** OFF CYCLE defrost is standard (use TC defrost module) – OPTIONAL ELECTRIC defrost uses a single or 3 phase circuit – OPTIONAL HOT GAS defrost uses 2 control wires @ 208V per lineup.

**UL SANITATION** approved in accordance with ANSI/NSF – 7.

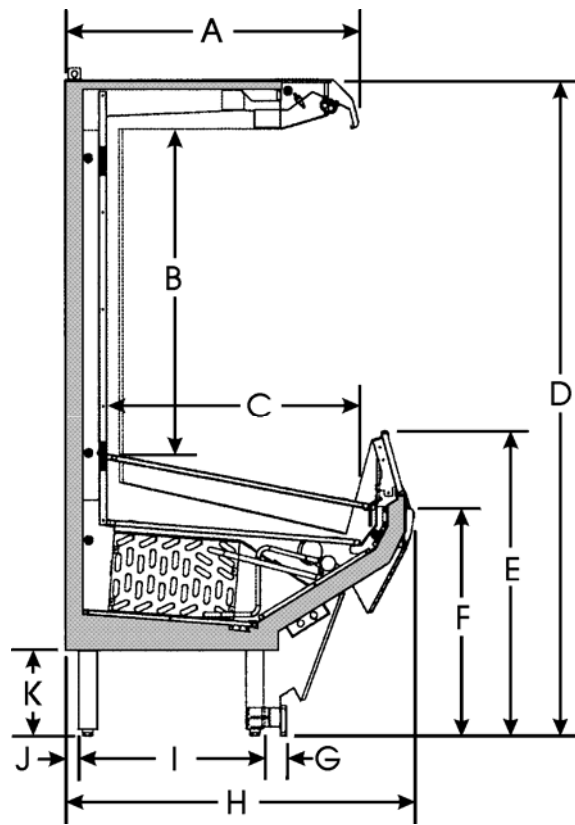
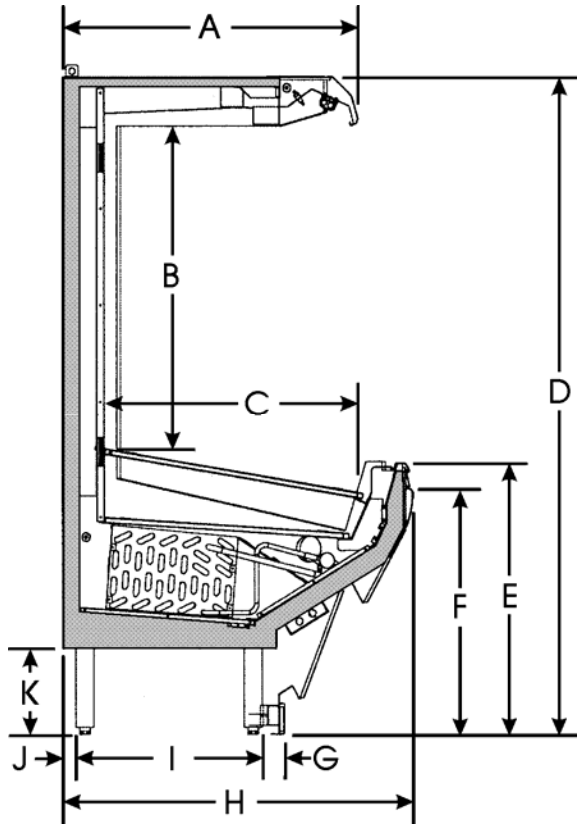
**CASE BTUH REQUIREMENTS** are calculated to produce approximately the indicated entering-air temperature with absolute maximum operating ambient limits of **75°F & 55RH**.

The information contained herein is based on technical analysis and/or tests performed in a controlled lab environment that are consistent with industry practices, and is intended as a reference for system sizing and configuration purposes only and for use by persons having technical skill at their own discretion and risk. Conditions of use are outside of Tyler's control and we do not assume and hereby disclaim any liability for results obtained or damages incurred through application of or reliance on the data presented, including but not limited to specific energy consumption with any particular model or installed application. SPECIFICATIONS ARE SUBJECT TO CHANGE WITHOUT NOTICE.

N4M/N4MG/N4MHP MEAT WEDGE CROSS SECTIONS

**N4M45IS/N4MHP45OS/N4M90IS/N4M90OS**

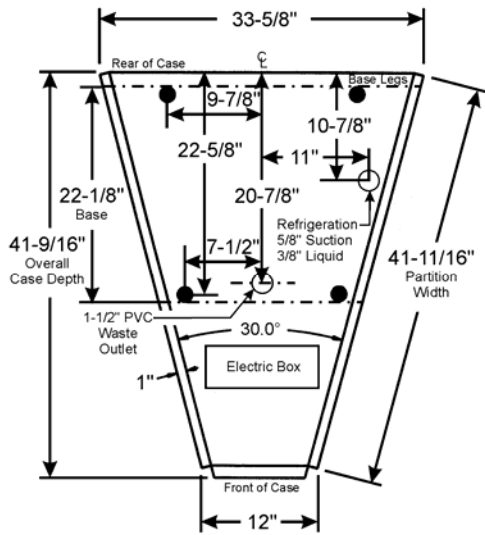
**N4MG30IS/N4MG30OS/N4MG45IS/N4MG45OS**



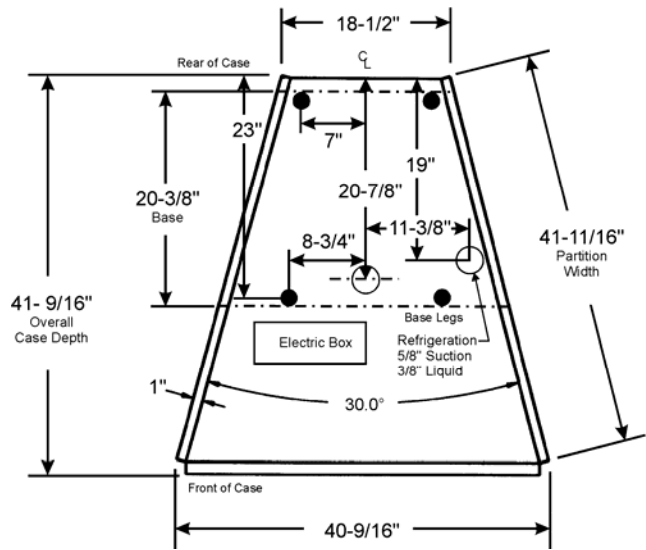
DIMENSIONAL SPECIFICATION	N4MG30IS	N4MG30OS	N4M45IS	N4MHP45OS	N4MG45IS	N4MG45OS	N4M90IS	N4M90OS
A	28-3/8"	29-3/4"	28-3/8"	28-3/8"	28-3/8"	28-3/8"	20-3/4"	20-3/4"
B	38-3/16"	40-3/8"	38-1/4"	40-3/4"	38-3/8"	40-7/16"	38-1/2"	39-1/4"
C	31-3/16"	31-13/16"	28-9/16"	29-5/16"	29-5/16"	30-1/16"	20-1/4"	21-3/16"
D	75"	75"	75"	75"	75"	75"	75"	75"
E	35"	35"	31"	31"	35"	35"	31"	31"
F	27-5/16"	27-5/16"	27-5/16"	27-5/16"	27-5/16"	27-5/16"	27-5/16"	27-5/16"
G	2-15/16"	2-13/16"	2-9/16"	2-15/16"	2-9/16"	2-15/16"	2-9/16"	2-15/16"
H	41-9/16"	41-9/16"	39-13/16"	39-13/16"	39-13/16"	39-13/16"	30-13/16"	30-13/16"
I	22-1/8"	22-3/8"	21-1/16"	21-1/16"	21-1/16"	21-1/16"	15-3/8"	15-3/8"
J	1-1/2"	1-1/2"	1-1/2"	1-1/2"	1-1/2"	1-1/2"	1-1/2"	2"
K	10"	10"	10"	10"	10"	10"	10"	10"

N4M/N4MG/N4MHP MEAT WEDGE FLOOR PLANS

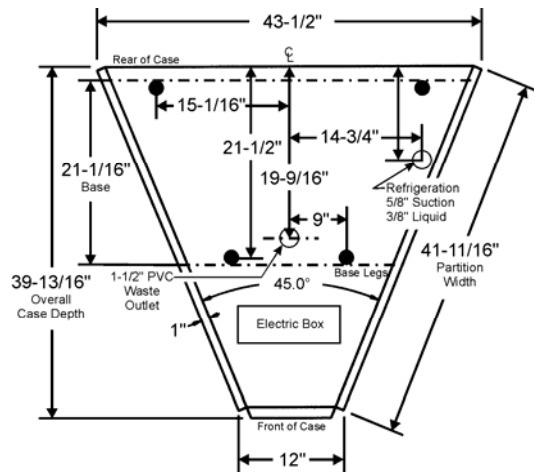
**N4MG30IS**



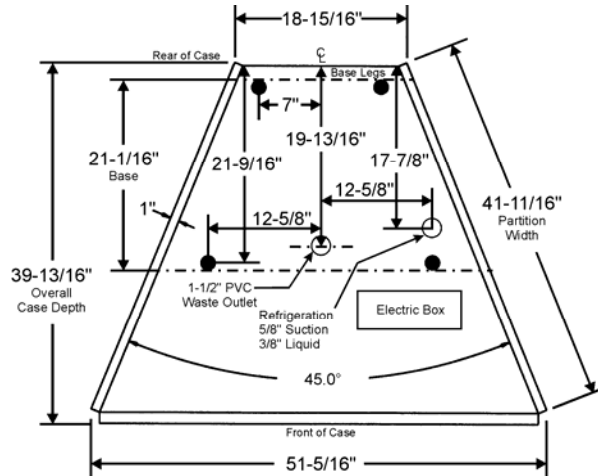
**N4MG30OS**



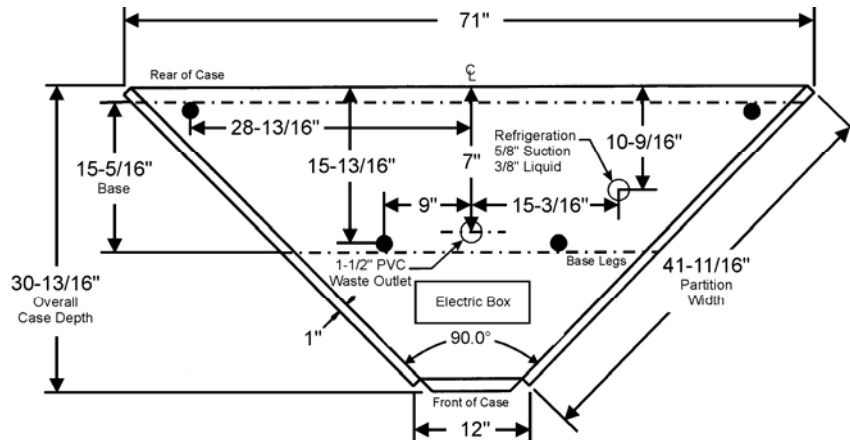
**N4M45IS / N4MG45IS**



**N4MHP45OS / N4MG45OS**



**N4M90IS**



**N4M90OS**

