

SPECIFICATION SHEET

• N4P MULTI-SHELF BULK PRODUCE WEDGE MERCHANDISERS •

Refrigeration Data:

MODEL	CASE LENGTH	CASE USAGE	CAPACITY (BTUH / CASE)		EVAPORATOR (°F)	UNIT SIZING (°F)	DISCHARGE AIR		AVG. REF. CHARGE (LBS/CASE)
			PARALLEL	CONVENTIONAL			TEMPERATURE (°F)	VELOCITY (FPM)	
N4P30IS	33-5/8"	BULK PRODUCE	1,440*	1,571*	+20**	+18	+38	N/A***	0.74
N4P45IS	43-15/16"	BULK PRODUCE	1,663*	1,814*	+20**	+18	+38	N/A***	1.84
N4P45OS	51-5/16"	BULK PRODUCE	2,711*	2,957*	+20**	+18	+38	N/A***	1.84
N4PHP45IS	43-15/16"	BULK PRODUCE	1,555*	1,577*	+34**	+32	+39	N/A***	1.38
N4P90IS	71"	BULK PRODUCE	2,008*	2,191*	+20**	+18	+38	N/A***	2.76
N4P90OS	79-5/8"	BULK PRODUCE	5,675*	6,191*	+20**	+18	+38	N/A***	2.76

* Capacity data listed for 1 row of compact canopy lights and up to 3 rows of unlighted shelves. For sizing all refrigeration equipment other than TYLER, use conventional BTUH values.

** Evaporator temperature is based on the saturated pressure leaving the case.

*** Air velocity measured 1 hour after defrost at the top discharge air duct using an ALNOR JR. velometer with a scoop.

FOR SPECIFIC COMPRESSOR SIZING INFORMATION, REFER TO TYLER APPLICATIONS FOR RACK SYSTEM COMPRESSORS AND/OR THE COMPRESSOR MANUFACTURERS FOR SINGLE COMPRESSORS. FOR LINE SIZING INFORMATION, REFER TO THE MISCELLANEOUS SECTION "BUFF" IN THE TYLER SPECIFICATION GUIDE.

Electrical Data:

Fans and Heaters (120 Volt)

MODEL	CASE LENGTH	FANS / CASE	TOTAL STANDARD FANS		TOTAL ECM FANS		DISCHARGE AIR ANTI-SWEATS	
			AMPS	WATTS	AMPS	WATTS	AMPS	WATTS
N4P30IS	33-5/8"	1	0.34	30.2	N/A	N/A	0.07	8.2
N4P45IS	43-15/16"	1	0.34	30.2	N/A	N/A	N/A	N/A
N4P45OS	51-5/16"	1	0.34	30.2	N/A	N/A	0.14	17.0
N4PHP45IS	43-15/16"	1	0.34	30.2	N/A	N/A	N/A	N/A
N4P90IS	71"	1	0.34	30.2	N/A	N/A	0.11	13.8
N4P90OS	79-5/8"	1	0.34	30.2	N/A	N/A	0.14	17.5

Compact Lighting with Electronic Ballasts (120 Volt)

MODEL	CASE LENGTH	CANOPY LIGHTS		SHELF LIGHTS - PER ROW						MAXIMUM LIGHTING (1 or 4 ROWS)	
		AMPS	WATTS	AMPS			WATTS			AMPS	WATTS
				1	2	3	1	2	3		
N4P30IS	33-5/8"	0.29	34.0	N/A	N/A	N/A	N/A	N/A	N/A	0.29	34.0
N4P45IS	43-15/16"	0.20	24.0	0.25	0.50	0.75	30.0	60.0	90.0	0.95	114.0
N4P45OS	51-5/16"	0.30	36.0	0.25	0.50	0.75	30.0	60.0	90.0	1.05	126.0
N4PHP45IS	43-15/16"	0.20	24.0	0.25	0.50	0.75	30.0	60.0	90.0	0.95	114.0
N4P90IS	71"	0.40	48.0	0.25	0.50	0.75	30.0	60.0	90.0	1.15	138.0
N4P90OS	79-5/8"	0.60	72.0	0.25	0.50	0.75	30.0	60.0	90.0	1.35	162.0

Defrost Data:

DEFROST TYPE	DEFROSTS PER DAY	DURATION TIME (MIN)	ELEK. THERMOSTAT / AIR SENSOR SETTINGS			EPR SETTINGS ***		CONVENTIONAL COMPRESSOR SETTINGS ****				DEFROST WATER (LB / CASE / DAY) (ALL MODELS)
			USAGE	CUT IN	CUT OUT	R22 (PSIG)	R404A (PSIG)	R22 (PSIG) CUT-IN	R22 (PSIG) CUT-OUT	R404A (PSIG) CUT-IN	R404A (PSIG) CUT-OUT	
TIME OFF (All N4P Corner Cases)	3	40	MED TEMP	---	---	43	56	---	---	---	---	N/A
TIME OFF (N4PHP45IS)*	2	10**	MED TEMP	40°F	38°F	60	75	58	46	73	58	

* All high performance cases use OFF CYCLE defrost.

** NOTE: 10 minutes is for EPR with suction stop for defrost isolation. Defrost times increase by four minutes (14 min. total) when defrost isolation is by pump down. Set EPR to give this pressure at the case.

*** If EPR is utilized, use the settings shown in the chart. NOTE: The customer will need to set the EPR on the parallel rack or single unit to the appropriate suction temperature and the N4PHP45IS cases must be on a separate suction stub with a separate EPR. ADD 0.5# to EPR setting for each 1000 foot rise in elevation.

**** Required setup for a conventional unit uses an electronic thermostat to assure accurate temperature control.

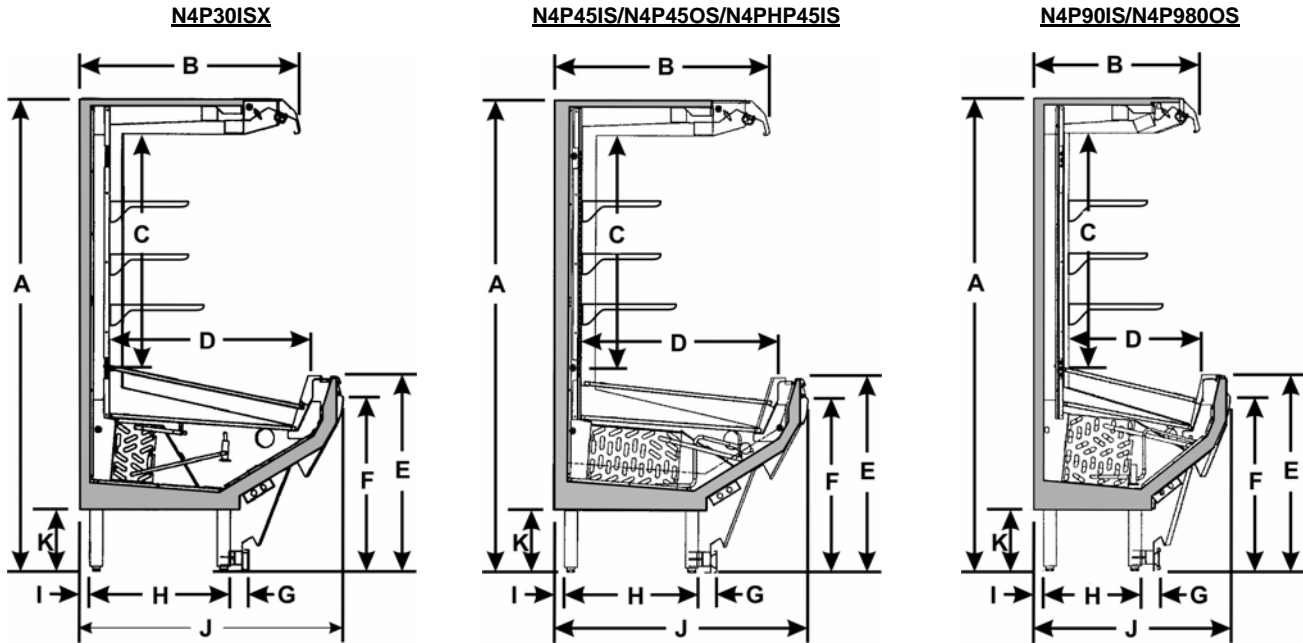
The information contained herein is based on technical analysis and/or tests performed in a controlled lab environment that are consistent with industry practices, and is intended as a reference for system sizing and configuration purposes only and for use by persons having technical skill at their own discretion and risk. Conditions of use are outside of Tyler's control and we do not assume and hereby disclaim any liability for results obtained or damages incurred through application of or reliance on the data presented, including but not limited to specific energy consumption with any particular model or installed application. SPECIFICATIONS ARE SUBJECT TO CHANGE WITHOUT NOTICE.

SHELVING AND MIRROR NOTES: 15" and 18" shelves are available for the N4P corner cases. When two sizes are used, the smaller must be used on top. Optional 16", 23" or 30" mirror is available on the N4P corner cases.

UL SANITATION approved in accordance with ANSI/NSF - 7.

CASE BTUH REQUIREMENTS are calculated to produce approximately the indicated entering-air temperature with absolute maximum operating ambient limits of 75°F & 55RH.

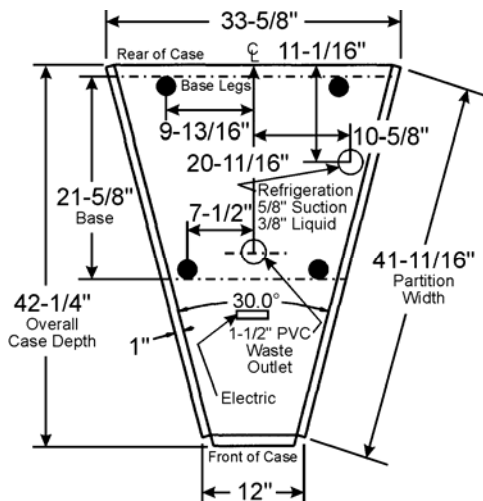
N4P PRODUCE WEDGE CROSS SECTIONS



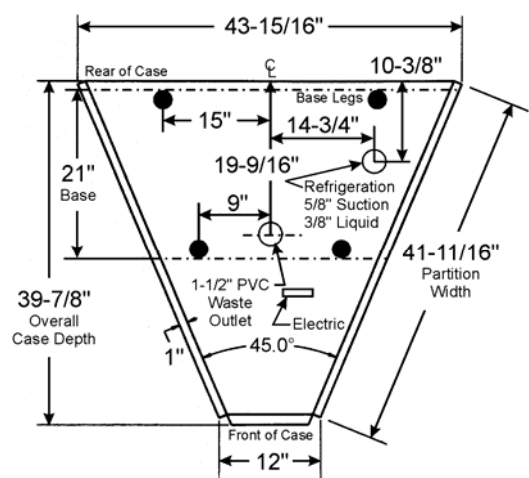
Dimensional Specifications:

MODEL	A	B	C	D	E	F	G	H	I	J	K
N4P30IS	6' 3"	28-3/8"	36-15/16"	32-15/16"	31"	27-9/16"	3"	21-5/8"	1-1/2"	42-1/4"	10"
N4P45IS	6' 3"	28-3/8"	36-15/16"	27-7/8"	31"	27-9/16"	3"	21"	1-1/2"	39-7/8"	10"
N4P45OS	6' 3"	27-7/16"	39-1/16"	31-1/16"	31"	27-9/16"	3"	20-1/2"	1-1/2"	41-1/8"	10"
N4PHP45IS	6' 3"	28-3/8"	36-15/16"	27-7/8"	31"	27-9/16"	3"	21"	1-1/2"	39-7/8"	10"
N4P90IS	6' 3"	20-3/4"	36-15/16"	21-11/16"	31"	27-9/16"	3"	15-1/4"	1-1/2"	30-3/4"	10"
N4P90OS	6' 3"	20-11/16"	36-15/16"	21-11/16"	31"	27-9/16"	3"	14-1/4"	1-1/2"	31-1/2"	10"

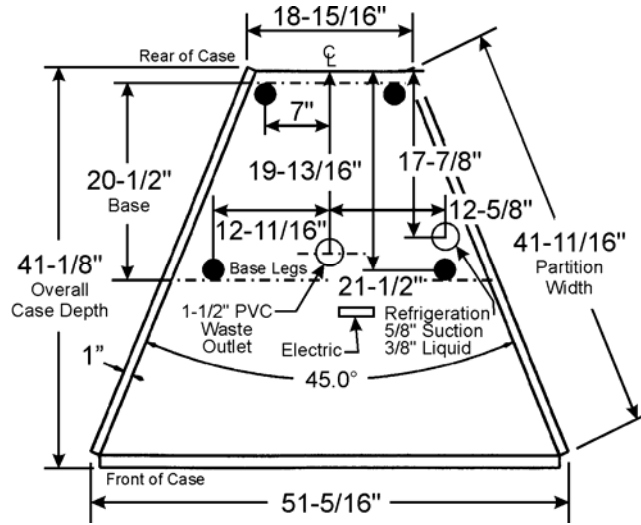
N4P30IS FLOOR PLAN



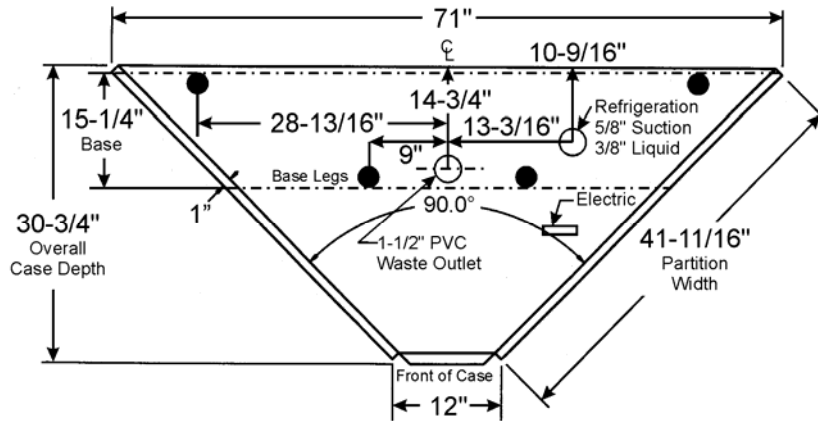
N4P45IS/N4PHP45IS FLOOR PLAN



N4P450S FLOOR PLAN



N4P90IS FLOOR PLAN



N4P900S FLOOR PLAN

