

Replacement Parts ^{series} Advantage



Multi-Shelf Dairy/Deli Merchandiser

Production began January 26, 2001

9000534	N5DH4	Med-Temp	4'	Remote Narrow Multi-Shelf Dairy/Deli Deep Well Merchandiser
9000535	N5DH6	Med-Temp	6'	Remote Narrow Multi-Shelf Dairy/Deli Deep Well Merchandiser
9000536	N5DH8	Med-Temp	8'	Remote Narrow Multi-Shelf Dairy/Deli Deep Well Merchandiser
9000537	N5DL4	Med-Temp	4'	Remote Narrow Multi-Shelf Dairy/Deli Low Front Merchandiser
9000538	N5DL6	Med-Temp	6'	Remote Narrow Multi-Shelf Dairy/Deli Low Front Merchandiser
9000539	N5DL8	Med-Temp	8'	Remote Narrow Multi-Shelf Dairy/Deli Low Front Merchandiser
9000552	N5D4	Med-Temp	4'	Remote Narrow Multi-Shelf Dairy/Deli Merchandiser
9000553	N5D6	Med-Temp	6'	Remote Narrow Multi-Shelf Dairy/Deli Merchandiser
9000554	N5D8	Med-Temp	6'	Remote Narrow Multi-Shelf Dairy/Deli Merchandiser
9000555	N5DSC4	Med-Temp	4'	Self Contained Narrow Multi-Shelf Dairy/Deli Merchandiser
9000556	N5DSC6	Med-Temp	6'	Self Contained Narrow Multi-Shelf Dairy/Deli Merchandiser

N5DSC • N5D



Issue date: FEBRUARY 2001

Replaces issue:

Part number: 9037197

Revision:

Tyler Refrigeration Corporation Niles, MI 49120
Parts information subject to change without notice
Printed in U.S.A.

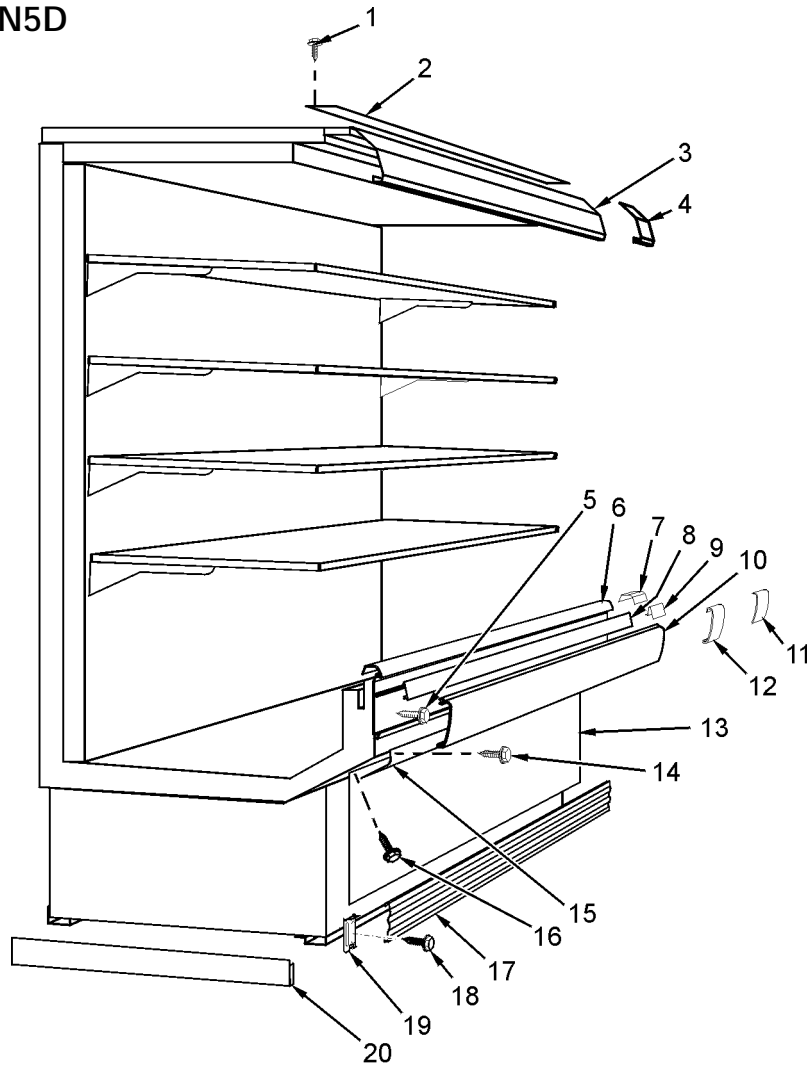


CONTENTS

	<u>Page</u>
Cladding, Covers and Trims	C1-C5
Structural Components	
Top Shelf Assemblies	S1
Ducts	S2
Z-Bars	S3
Patch Ends, Partitions and Dividers	
Solid Patch Ends	S4 - S9
Electrical System Components	
Wiring Harnesses	
Wiring and Components - N5DSC/N5D	E1
Fan Systems	E2
Optional Canopy Lights	E3, E4
Refrigeration System Components	
Coil Assemblies	R1
Condensing Units (N5DSC)	R2, R3
Optional Case Accessories	
Shelf Assemblies	A1 - A3
Shelf Screen, Shelf Basket and Shelves with Holes	A4
Divider, Fences, Shelf & Bottom Trays and Deck Pan	A5
Thermometers	A6
Standard Case Thermometer	A7



CLADDING, COVERS AND TRIMS
N5DSC/N5D



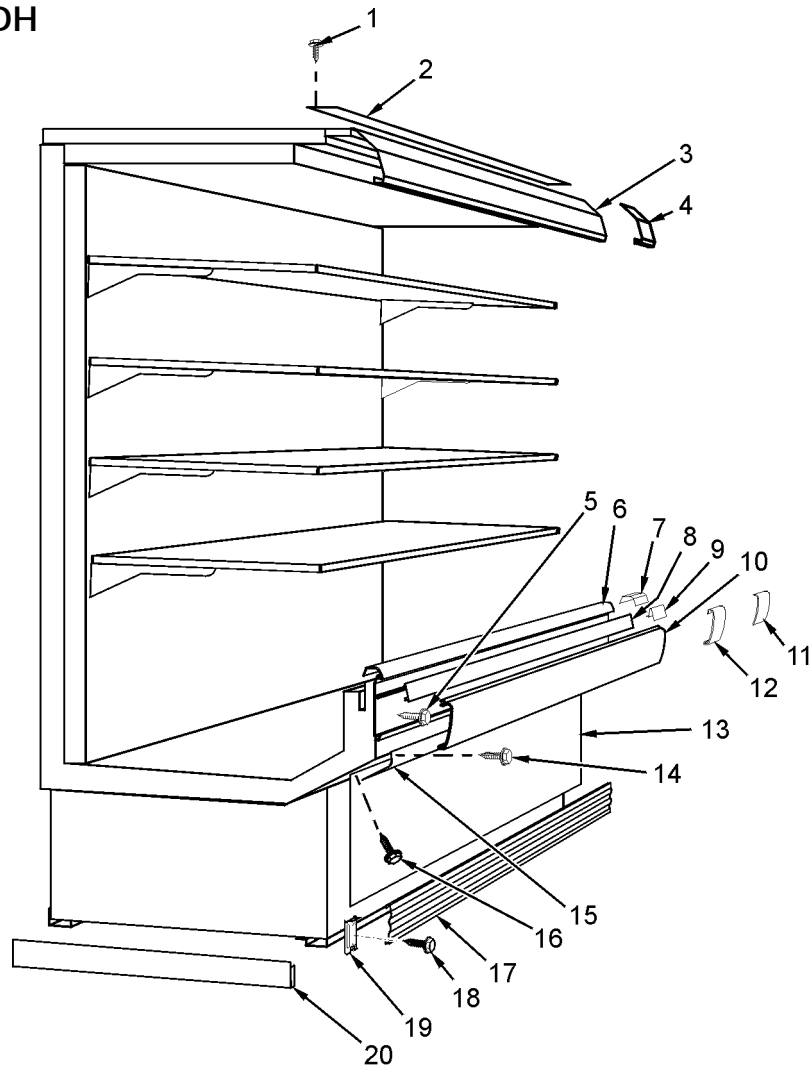
4', 6' and 8' Merchandiser

Item	Part No.	Quantity			Description	Item	Part No.	Quantity			Description	
		4'	6'	8'				4'	6'	8'		
1	5183536	3	4	6	Screw	12	+	1	1	1	Bumper Backer	
2	9026366	1	-	-	Hood Close-off	13	9025459	1	-	-	LWR FR Cladding (N5D)	
	9026367	-	1	-	Hood Close-off		9025460	-	1	-	LWR FR Cladding (N5D)	
	9026368	-	-	1	Hood Close-off		9025461	-	-	1	LWR FR Cladding (N5D)	
3	9025968	1	-	-	Canopy Hood, PTD	9603773	1	-	-	LWR FR Cladding (N5DSC)		
	9025969	-	1	-	Canopy Hood, PTD		9603774	-	1	-	LWR FR Cladding (N5DSC)	
	9025970	-	-	1	Canopy Hood, PTD							
4	9026364	1	1	1	Canopy Backer, PTD	14	5183536	6	6	10	Screw	
	9031184	1	1	1	Canopy Backer, MB/SS		15	9025462	1	-	-	UPR FR Cladding
	5199134	4	4	4	Screw			9025463	-	1	-	UPR FR Cladding
5	9025833	8	12	16	Screw	9025464	-	-	1	UPR FR Cladding (N5D)		
6	+	1	1	1	Bumper Retainer	16	5183536	6	8	10	Screw	
7	9025316	1	1	1	Bumper Retainer Backer		17	+	1	1	1	Kickplate
8	9023791	1	-	-	Color Band, PTD			9041790	1	1	1	Kickplate Backer
	9023796	-	1	-	Color Band, PTD	9041790	1		1	1	OPTL Kickplate Extension	
	9023799	-	-	1	Color Band, PTD							
9	9040223	1	1	1	Color Band Backer, PTD	18	9029131	6	6	8	Screw	
10	+	1	1	1	Bumper	19	9023565	3	3	4	Kickplate Support	
11	+	1	1	1	Bumper End Trim	20	9022469	1	1	1	LH End Close-off, PTD	
						9022471	1	1	1	RH End Close-off, PTD		

+ See page C2 for parts breakdown per color.



CLADDING, COVERS AND TRIMS N5DL/N5DH



4', 6' and 8' Merchandiser

Item	Part No.	Quantity			Description	Item	Part No.	Quantity			Description
		4'	6'	8'				4'	6'	8'	
1	5183536	3	4	6	Screw	11	+	1	1	1	Bumper End Trim
2	9026366	1	-	-	Hood Close-off	12	+	1	1	1	Bumper Backer
	9026367	-	1	-	Hood Close-off	13	9026305	1	-	-	LWR FR Cladding
	9026368	-	-	1	Hood Close-off		9026306	-	1	-	LWR FR Cladding
3	9025968	1	-	-	Canopy Hood, PTD	9026307	-	-	1	LWR FR Cladding	
	9025969	-	1	-	Canopy Hood, PTD	14	5183536	6	6	10	Screw
	9025970	-	-	1	Canopy Hood, PTD		15	9026308	1	-	-
4	9026364	1	1	1	Canopy Backer, PTD	9026309	-	1	-	-	UPR FR Cladding (N5DH)
	9031184	1	1	1	Canopy Backer, MB/SS	9026310	-	-	1	-	UPR FR Cladding (N5DL)
	5199134	4	4	4	Screw	9025462	1	-	-	-	UPR FR Cladding (N5DL)
5	9025833	8	12	16	Screw	9025463	-	1	-	-	UPR FR Cladding (N5DL)
	+	1	1	1	Bumper Retainer	9025464	-	-	1	-	UPR FR Cladding (N5DL)
6	9025316	1	1	1	Bumper Retainer Backer	16	5183536	6	8	10	Screw
8	9023791	1	-	-	Color Band, PTD		17	+	1	1	1
	9023796	-	1	-	Color Band, PTD	9041790	1	1	1	1	Kickplate Backer
	9023799	-	-	1	Color Band, PTD	9041790	1	1	1	1	OPTL Kickplate Extension
9	9040223	1	1	1	Color Band Backer, PTD	18	9029131	6	6	8	Screw
10	+	1	1	1	Bumper	19	9023565	3	3	4	Kickplate Support
						20	9022469	1	1	1	LH End Close-off, PTD
							9022471	1	1	1	RH End Close-off, PTD



CLADDING, COVERS AND TRIMS - (CONT'D)

N5DSC/N5D/N5DH/N5DL - 4'

Bumper Retainer [Item 6]
W/O Partition
(48.312"):

Part No.	Color
9025484	White
9025497	Bone White
9025510	Misty Gray
9025523	Pearl
9025536	Oatmeal
9025549	Soft Sand
9025563	Chromium
9025576	Cool Gray
9025589	Oyster
9025602	Black
9028924	Steel Gray
9031781	Chocolate
9031808	Mocha
9031862	Stone
9029527	Cherry Red

W/ Partition
(49.312")

Part No.
9026919
9026920
9026921
9026922
9026923
9026924
9026925
9026926
9026927
9026928
9028926
9031783
9031810
9031864

Bumper Backer [Item 12]

Part No.	Color
9025023	White
9025028	Bone White
9025035	Misty Gray
9025038	Pearl
9025041	Oatmeal
9025079	Pearly Gates
9025253	Soft Sand
9025258	Chromium
9025265	Cool Gray
9025268	Oyster
9025271	Black
9028883	Steel Gray
9031884	Chocolate
9031885	Mocha
9031886	Stone
9029581	Cherry Red
9044004	Teal

Bumper End Trim [Item 11]

Part No.	Color
9027220	White
9027221	Bone White
9027222	Misty Gray
9027223	Pearl
9027224	Oatmeal
9027225	Soft Sand
9027226	Chromium
9027227	Cool Gray
9027228	Oyster
9027229	Black
9028882	Steel Gray
9034333	Chocolate
9034334	Mocha
9029590	Cherry Red
9034335	Stone
9023195	RH Pusher BRKT
9028082	LH Pusher BRKT
5053985	Screw

Bumper [Item 10]
W/O Partition
(48.312"):

Part No.	Color
9025024	White
9025254	Bone White
9025275	Misty Gray
9025296	Pearl
9025317	Oatmeal
9025338	Soft Sand
9025359	Chromium
9025380	Cool Gray
9025401	Oyster
9025422	Black
9028889	Steel Gray
9031670	Chocolate
9031707	Mocha
9031744	Stone
9029484	Cherry Red
9044001	Teal

W/ Partition
(49.312"):

Part No.
9027129
9027130
9027131
9027132
9027133
9027134
9027135
9027136
9027137
9027138
9028891
9031672
9031709
9031746

Kickplate [Item 17]

W/O Partition (48.312"):

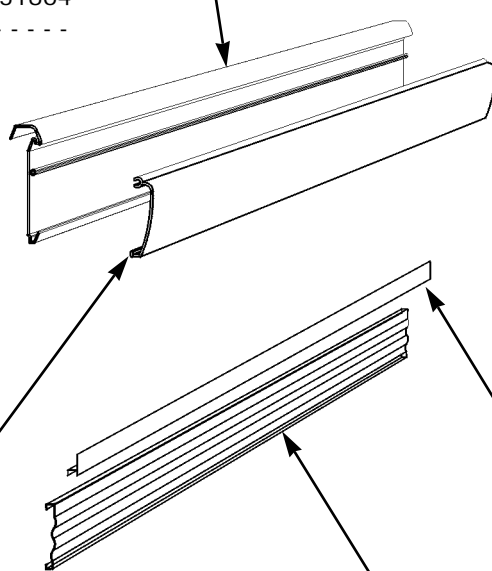
Part No.	Color
9041600	Cool Gray
9041601	Black
9041602	Pearl
9041604	Steel Gray

W/ Partition (49.312"):

Part No.	Color
9041610	Cool Gray
9041611	Black
9041612	Pearl
9041614	Steel Gray

Kickplate Extension
W/O Partition (48.312"):

Part No.	Color
9042796	Cool Gray
9042797	Black
9042798	Pearl
9042799	Steel Gray





CLADDING, COVERS AND TRIMS - (CONT'D)

N5DSC/N5D/N5DH/N5DL - 6'

Bumper Retainer [Item 6]
W/O Partition
(72.312"):

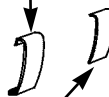
Part No.	Color
9025488	White
9025501	Bone White
9025514	Misty Gray
9025527	Pearl
9025540	Oatmeal
9025553	Soft Sand
9025567	Chromium
9025580	Cool Gray
9025593	Oyster
9025606	Black
9028931	Steel Gray
9031788	Chocolate
9031815	Mocha
9031869	Stone
9029534	Cherry Red

W/ Partition
(73.312"):

Part No.
9026939
9026940
9026941
9026942
9026943
9026944
9026945
9026946
9026947
9026948
9028933
9031790
9031817
9031871

Bumper Backer [Item 12]

Part No.	Color
9025023	White
9025028	Bone White
9025035	Misty Gray
9025038	Pearl
9025041	Oatmeal
9025079	Pearly Gates
9025253	Soft Sand
9025258	Chromium
9025265	Cool Gray
9025268	Oyster
9025271	Black
9028883	Steel Gray
9031884	Chocolate
9031885	Mocha
9031886	Stone



Bumper End Trim [Item 11]

Part No.	Color
9027220	White
9027221	Bone White
9027222	Misty Gray
9027223	Pearl
9027224	Oatmeal
9027225	Soft Sand
9027226	Chromium
9027227	Cool Gray
9027228	Oyster
9027229	Black
9028882	Steel Gray
9031333	Chocolate
9031334	Mocha
9029590	Cherry Red
9031335	Stone
9023195	RH Pusher Brkt
9028082	LH Pusher Brkt
5053985	Screw

Bumper [Item 10]
W/O Partition
(72.312"):

Part No.	Color
9025031	White
9025261	Bone White
9025282	Misty Gray
9025303	Pearl
9025324	Oatmeal
9025345	Soft Sand
9025366	Chromium
9025387	Cool Gray
9025408	Oyster
9025429	Black
9028899	Steel Gray
9031680	Chocolate
9031717	Mocha
9031754	Stone
9029494	Cherry Red

W/ Partition
(73.312"):

Part No.
9027159
9027160
9027161
9027162
9027163
9027164
9027165
9027166
9027167
9027168
9028901
9031682
9031719
9031756

Kickplate [Item 17]
W/O Partition (72.313"):

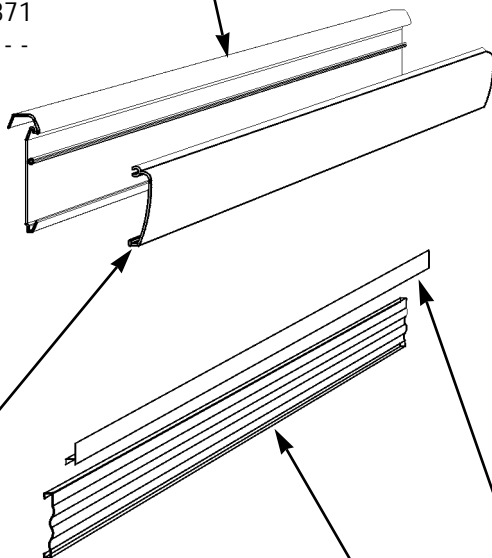
Part No.	Color
9041650	Cool Gray
9041651	Black
9041652	Pearl
9041654	Steel Gray

W/ Partition (73.313"):

Part No.	Color
9041660	Cool Gray
9041661	Black
9041662	Pearl
9041664	Steel Gray

Kickplate Extension
W/O Partition (48.312"):

Part No.	Color
9042836	Cool Gray
9042837	Black
9042838	Pearl
9042839	Steel Gray





CLADDING, COVERS AND TRIMS - (CONT'D)

N5DSC/N5D/N5DH/N5DL - 8'

Bumper Retainer [Item 2]
W/O Partition
(96.437"):

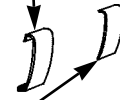
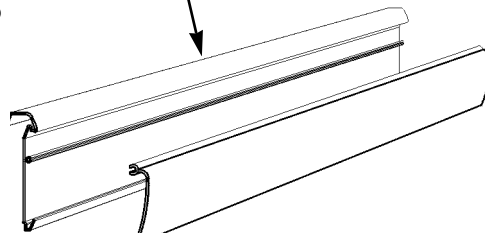
Part No.	Color
9025492	White
9025505	Bone White
9025518	Misty Gray
9025531	Pearl
9025544	Oatmeal
9025558	Soft Sand
9025571	Chromium
9025584	Cool Gray
9025597	Oyster
9025610	Black
9028936	Steel Gray
9031793	Chocolate
9031820	Mocha
9031874	Stone
9029539	Cherry Red

W/ Partition
(97.437"):

Part No.	Color
9026959	White
9026960	Bone White
9026961	Misty Gray
9026962	Pearl
9026963	Oatmeal
9026964	Soft Sand
9026965	Chromium
9026966	Cool Gray
9026967	Oyster
9026968	Black
9028938	Steel Gray
9031795	Chocolate
9031822	Mocha
9031876	Stone
-----	-----
-----	-----

Bumper Backer [Item 12]

Part No.	Color
9025023	White
9025028	Bone White
9025035	Misty Gray
9025038	Pearl
9025041	Oatmeal
9025079	Pearly Gates
9025253	Soft Sand
9025258	Chromium
9025265	Cool Gray
9025268	Oyster
9025271	Black
9028883	Steel Gray
9031884	Chocolate
9031885	Mocha
9031886	Stone
9029581	Cherry Red
9044004	Teal



Bumper End Trim [Item 11]

Part No.	Color
9027220	White
9027221	Bone White
9027222	Misty Gray
9027223	Pearl
9027224	Oatmeal
9027225	Soft Sand
9027226	Chromium
9027227	Cool Gray
9027228	Oyster
9027229	Black
9028882	Steel Gray
9029592	Cherry Red
9031333	Chocolate
9031334	Mocha
9031335	Stone
9023195	RH Pusher Brkt
9028082	LH Pusher Brkt
5053985	Screw

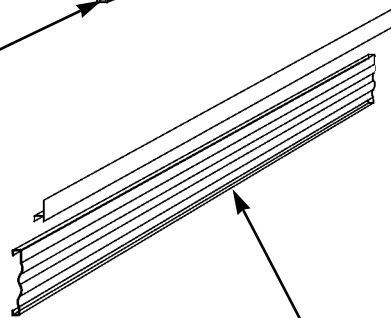
Bumper [Item 10]

W/O Partition
(96.437"):

Part No.	Color
9025037	White
9029335	Pearly Gates
9025267	Bone White
9025288	Misty Gray
9025309	Pearl
9025330	Oatmeal
9025351	Soft Sand
9025372	Chromium
9025393	Cool Gray
9025414	Oyster
9025435	Black
9028906	Steel Gray
9031688	Chocolate
9031725	Mocha
9031762	Stone
9029502	Cherry Red
9044003	Teal

W/ Partition
(97.437"):

Part No.	Color
9027189	White
9029337	Pearly Gates
9027190	Bone White
9027191	Misty Gray
9027192	Pearl
9027193	Oatmeal
9027194	Soft Sand
9027195	Chromium
9027196	Cool Gray
9027197	Oyster
9027198	Black
9028908	Steel Gray
9031690	Chocolate
9031727	Mocha
9031764	Stone
-----	-----
-----	-----



Kickplate [Item 17]

W/O Partition (96.438"):

Part No.	Color
9041695	Cool Gray
9041696	Black
9041697	Pearl
9041699	Steel Gray

W/ Partition (97.438"):

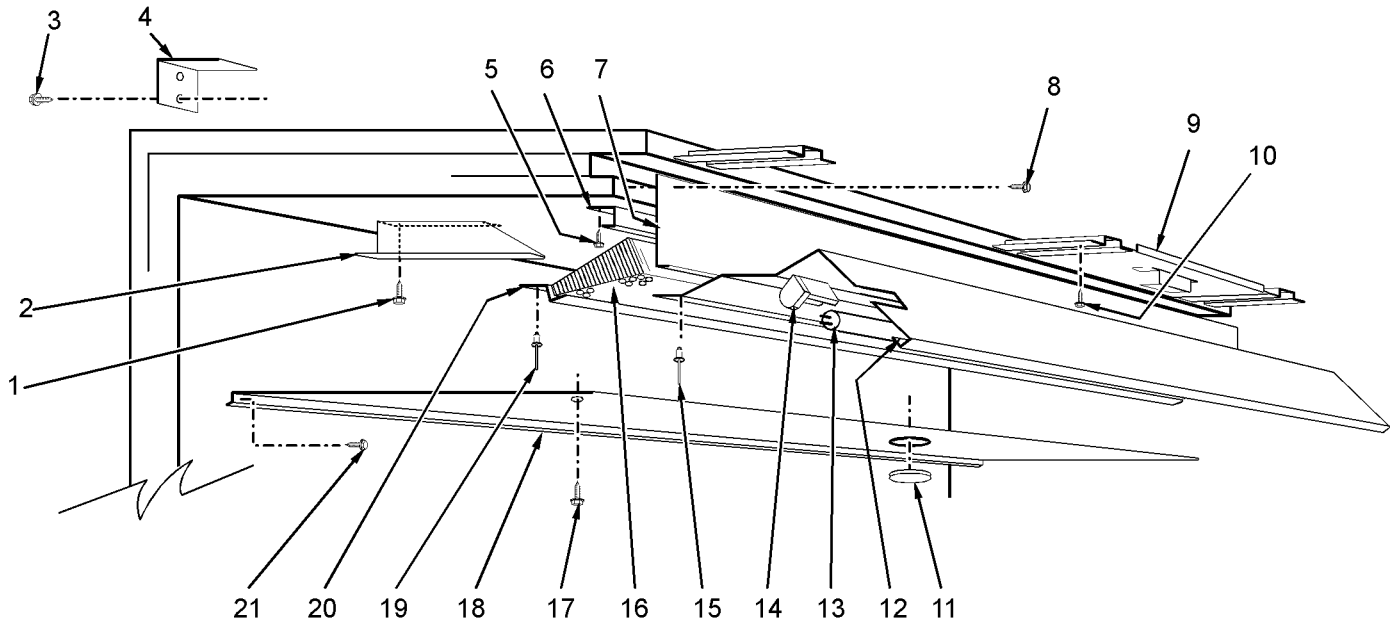
Part No.	Color
9041705	Cool Gray
9041706	Black
9041707	Pearl
9041709	Steel Gray

Kickplate Extension
W/O Partition (48.312"):

Part No.	Color
9042872	Cool Gray
9042873	Black
9042874	Pearl
9042876	Steel Gray



**STRUCTURAL COMPONENTS
TOP SHELF ASSEMBLIES - N5DSC/N5DH**

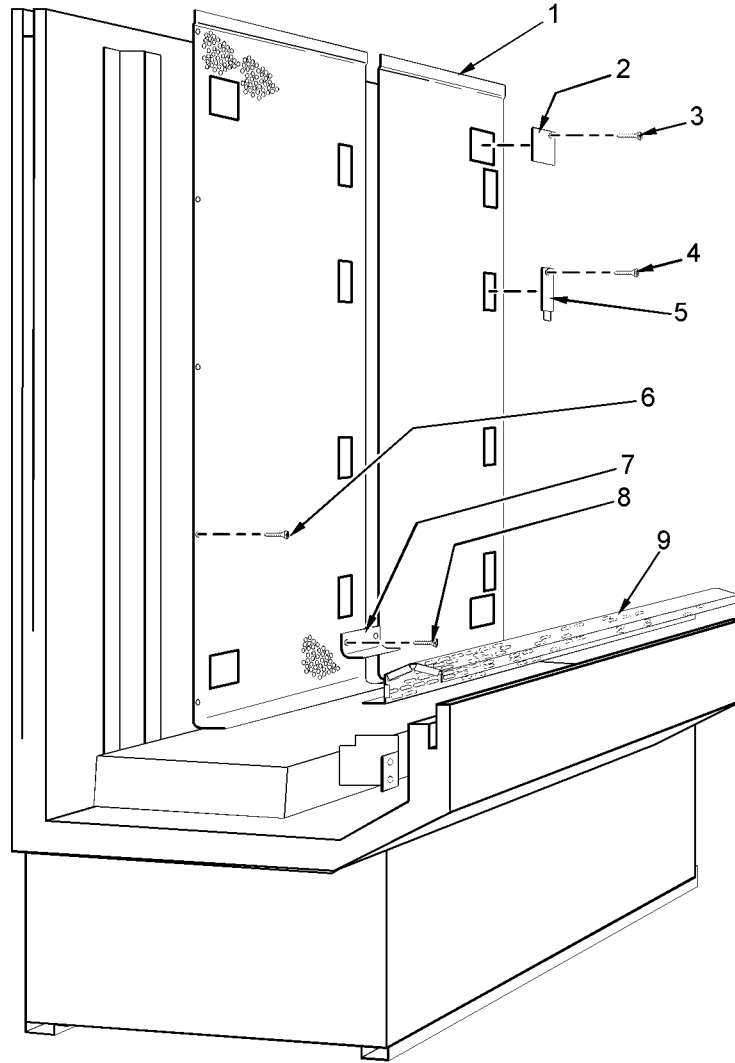


4', 6' and 8' Merchandiser

Item	Part No.	Quantity			Description	Item	Part No.	Quantity			Description
		4'	6'	8'				4'	6'	8'	
1	5183536	2	4	4	Screw	*	9036985	1	-	-	Light Channel Assy.
2	5237543	1	2	2	Z-Bar	*	9036986	-	1	-	Light Channel Assy.
3	5183536	2	4	4	Screw	*	9036987	-	-	1	Light Channel Assy.
4	5621247	1	2	2	CTR Tie Strap	12	9036966	1	-	-	Light Channel
5	5183536	2	2	2	Screw		9036967	-	1	-	Light Channel
6	9036980	1	-	-	Air Restrictor		9036968	-	-	1	Light Channel
	9036981	-	1	-	Air Restrictor		5100913	1	2	2	Plug Button, 1 3/8" Dia.
	9036982	-	-	1	Air Restrictor		5100565	1	1	1	Toggle Switch
	5100917	3	4	5	White Plug Button		5211201	1	1	1	Lockwasher
7	9036977	1	-	-	Light Channel Support	13	----	1	1	1	Lamp
	9036978	-	1	-	Light Channel Support	14	5614628	1	1	1	Lampholder, TLSCP
	9036979	-	-	1	Light Channel Support		5614629	1	1	1	Lampholder, Stationary
8	5183536	4	4	4	Screw	15	5100212	6	9	10	Screw
9	9026283	1	-	-	Ballast Support	16	9022972	1	-	2	Grid
	9026284	-	1	-	Ballast Support		9040772	-	2	-	Grid
	9026285	-	-	1	Ballast Support	17	5048626	7	8	8	Screw
	5049140	1	1	1	H.O. Ballast, 1-Lamp 800 MA	18	9036972	1	-	-	Top Duct
							9036973	-	1	-	Top Duct
10	5183536	4	4	4	Screw		9036974	-	-	1	Top Duct
11	5238710	1	1	1	Plug Button	19	5100212	6	9	10	Screw
*	9036985	1	-	-	Light Channel Assy.	20	9036969	1	-	-	Rear Grid Retainer
*	9036986	-	1	-	Light Channel Assy.		9036970	-	1	-	Rear Grid Retainer
*	9036987	-	-	1	Light Channel Assy.		9036971	-	-	1	Rear Grid Retainer
						21	5048626	7	8	8	Screw



STRUCTURAL COMPONENTS - (CONT'D)
 DUCTS - N5DSC/N5D/N5DH/N5DL

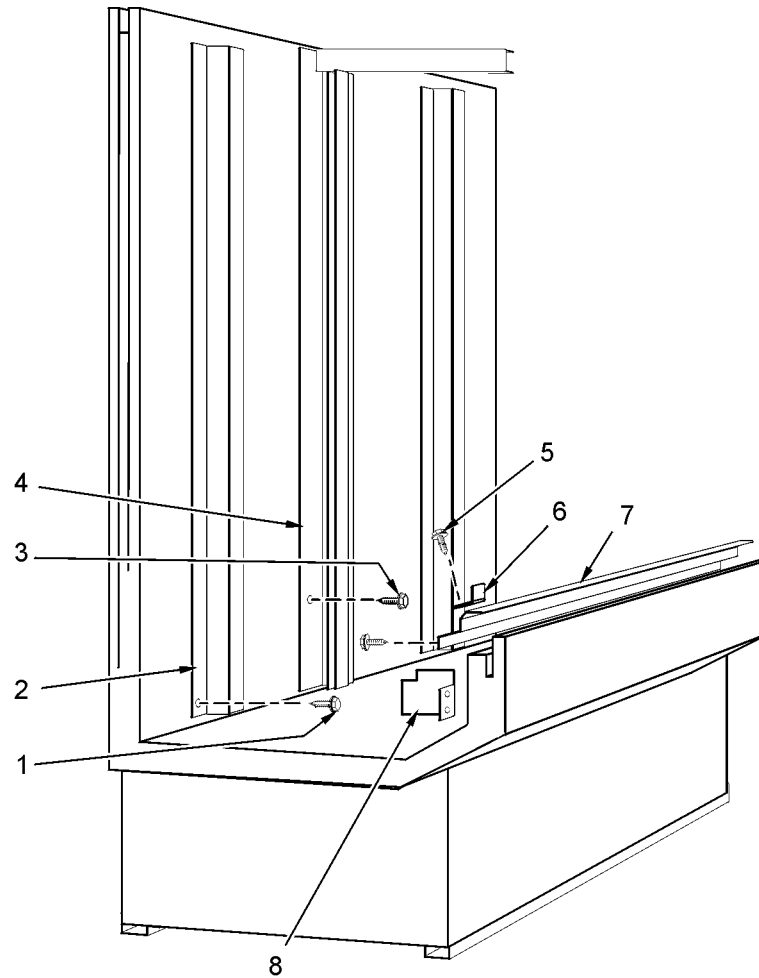


4', 6' and 8' Merchandiser

Item	Part No.	Quantity			Description	Item	Part No.	Quantity			Description
		4'	6'	8'				4'	6'	8'	
1	9037506	1	-	2	Rear Duct N5DSC/N5D	7	5965884	-	1	1	Rear Duct Joint Trim
	9037505	-	2	-	Rear Duct N5DSC/N5D	8	5048626	-	4	4	Screw
	9037079	1	-	2	Rear Duct N5DH/L	9	5244394	1	-	2	Front Duct
	9043733	-	2	-	Rear Duct N5DH/L						N5DL/N5D/N5DSC
2	5646033	4	8	8	Inspection Cover		5244395	-	1	-	Front Duct
3	5048626	8	16	16	Screw						N5DL/N5D/N5DSC
4	5048626	4	8	8	Screw		5244394	1	-	2	Front Duct N5DH
5	9026091	4	8	8	Outlet Cover		5244395	-	1	-	Front Duct N5DH
6	5048626	10	20	20	Screw						



STRUCTURAL COMPONENTS - (CONT'D)
Z-BARS - N5DSC/N5D/N5DH/N5DL

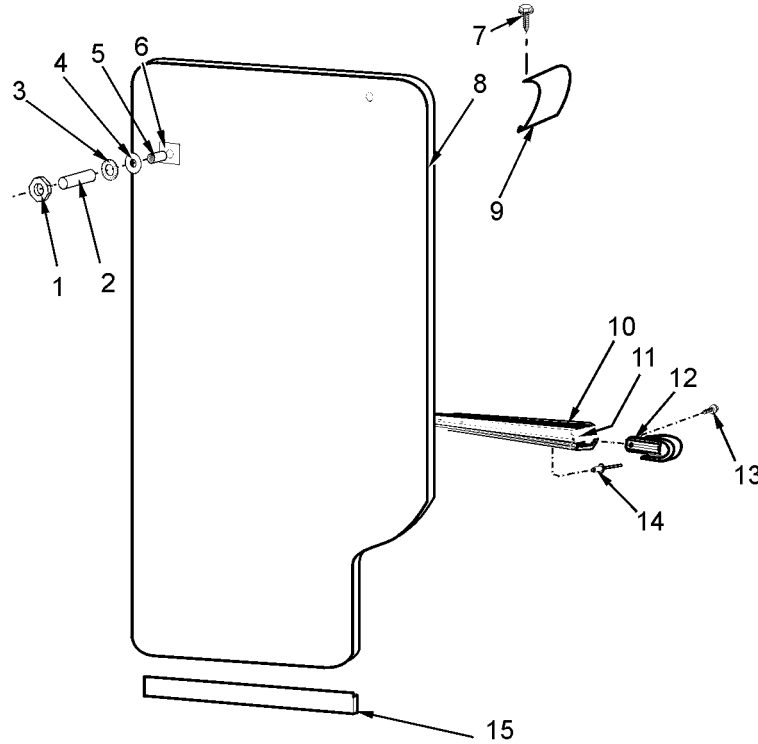


4', 6' and 8' Merchandiser

Item	Part No.	Quantity			Description	Item	Part No.	Quantity			Description
		4'	6'	8'				4'	6'	8'	
1	5183536	5	10	10	Screw	6	5965834	4	4	6	Duct Retainer Clip
2	5237458	1	2	2	Rear Z-Bar N5DSC /N5D	7	5239729	1	-	-	Foam Cover
	5240830	1	2	2	Rear Z-Bar N5DH /N5DL		5239730	-	1	-	Foam Cover
3	1309067	-	12	12	Screw		5239731	-	-	1	Foam Cover
4	9037070	-	1	1	CTR Upright Assy. N5DSC/N5D		5183536	4	5	6	Screw
	9037071	-	1	1	CTR Upright Assy. N5DH/N5DL	8	5965833	4	5	-	Front Z-Bar N5DSC/N5D/N5DL
5	5183536	8	8	10	Screw		5240709	4	5	6	Front Z-Bar N5DH
							5183536	8	10	12	Screw



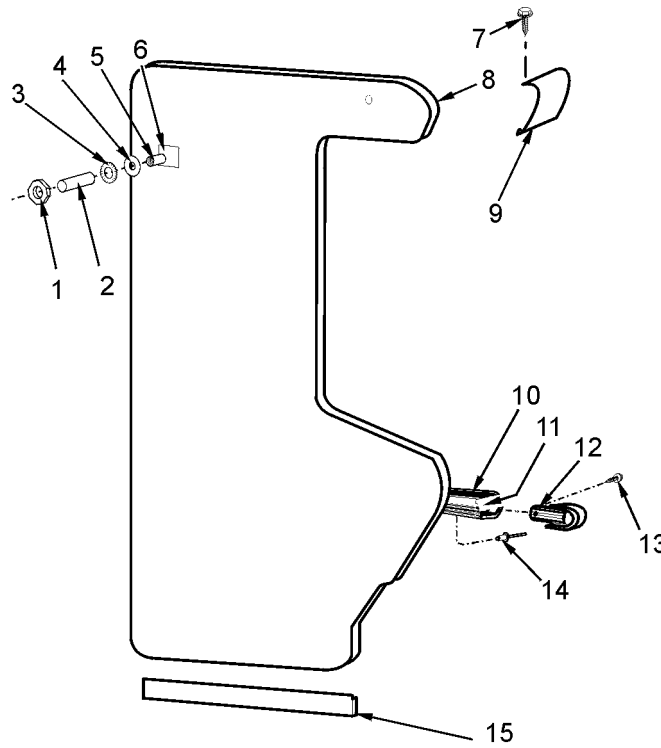
STRUCTURAL COMPONENTS - (CONT'D)
 PATCH ENDS, PARTITIONS AND DIVIDERS - N5DSC/N5D/N5DH
 Solid Patch Ends, Contoured Boxed



Item	Part No.	Qty.	Description	Item	Part No.	Qty.	Description
*	9021960	1	RH Contoured Box End Assy., Ptd. w/Ptd. Liner - 81"		9024387	1	LH Bench End Assy., Ptd.w/BRT SS Liner-81"
*	9021961	1	LH Contoured Box End Assy., Ptd. w/Ptd. Liner - 81"		9024388	1	RH Bench End Assy., Ptd. w/Ptd. Liner - 75.5"
*	9021962	1	RH Contoured Box End Assy., Ptd.w/BRT SS Liner-81"		9024389	1	LH Bench End Assy., Ptd. w/Ptd. Liner - 75.5"
*	9021963	1	LH Contoured Box End Assy., Ptd.w/BRT SS Liner-81"	9	9029422	1	Canopy Hood Trim
*	9021968	1	RH Contoured Box End Assy., Ptd. w/Ptd. Liner - 75.5"	10	9022757	1	Spacer
*	9021969	1	LH Contoured Box End Assy., Ptd. w/Ptd. Liner - 75.5"	11	9027969	2	1" Bumper, Pearl
1	5100625	4	Nut, 5/16"-18		9027967	2	1" Bumper, Cool Gray
2	9022759	4	Stud		9027968	2	1" Bumper, Black
3	5101003	4	Lockwasher		9040729	2	1" Bumper, Steel Gray
4	5100976	4	Washer	12	9027880	2	Mounting Retainer
5	9022756	4	Threaded Insert	13	9027742	4	End Cap, Pearl
6	9022760	4	Tapping Plate		9027743	4	End Cap, Cool Gray
7	51219883	4	Screw		9027744	4	End Cap, Black
8	9024384	1	RH Bench End Assy., Ptd. w/Ptd. Liner - 81"		9310881	4	End Cap, Steel Gray
	9024385	1	LH Bench End Assy., Ptd. w/Ptd. Liner - 81"	14	5183536	4	Screw
	9024386	1	RH Bench End Assy., Ptd.w/BRT SS Liner-81"	15	9602569	1	Close-off
					1309067	3	Screw



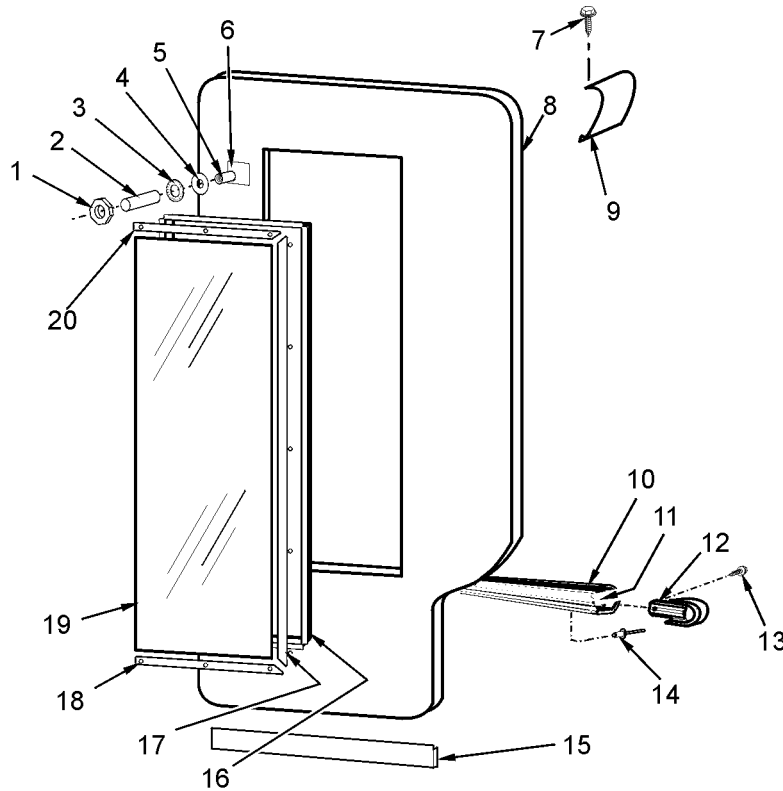
STRUCTURAL COMPONENTS - (CONT'D)
PATCH ENDS, PARTITIONS AND DIVIDERS - N5DH/N5DL
Solid Patch Ends, Contoured Boxed



Item	Part No.	Qty.	Description	Item	Part No.	Qty.	Description
*	9021974	1	RH Contoured Box End Assy., Ptd. w/Ptd. Liner - 81"		9024638	1	LH Bench End Assy., Ptd.w/BRT SS Liner-81"
*	9021975	1	LH Contoured Box End Assy., Ptd. w/Ptd. Liner - 81"	9	9029422	1	Canopy Hood Trim
*	9021976	1	RH Contoured Box End Assy., Ptd.w/BRT SS Liner-81"	10	9022757	1	Spacer
*	9021977	1	LH Contoured Box End Assy., Ptd.w/BRT SS Liner-81"	11	9027969	2	1" Bumper, Pearl
1	5100625	4	Nut, 5/16"-18		9027967	2	1" Bumper, Cool Gray
2	9022759	4	Stud		9027968	2	1" Bumper, Black
3	5101003	4	Lockwasher		9040729	2	1" Bumper, Steel Gray
4	5100976	4	Washer	12	9027880	2	Mounting Retainer
5	9022756	4	Threaded Insert	13	9027742	4	End Cap, Pearl
6	9022760	4	Tapping Plate		9027743	4	End Cap, Cool Gray
7	51219883	4	Screw		9027744	4	End Cap, Black
8	9024643	1	RH Bench End Assy., Ptd. w/Ptd. Liner - 81"		9310881	4	End Cap, Steel Gray
	9024644	1	LH Bench End Assy., Ptd. w/Ptd. Liner - 81"	14	5183536	4	Screw
	9024637	1	RH Bench End Assy., Ptd.w/BRT SS Liner-81"	15	9602569	1	Close-off



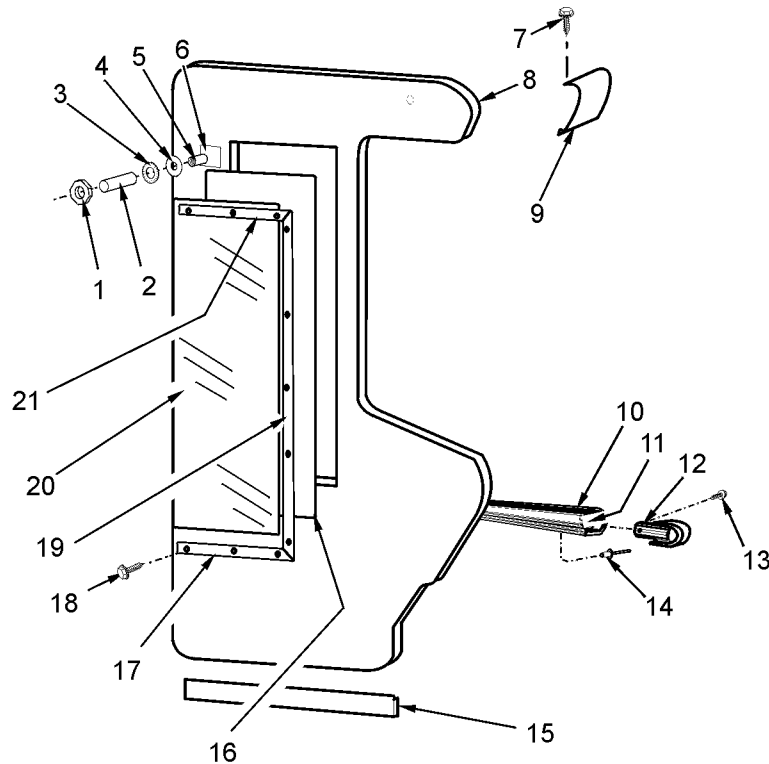
STRUCTURAL COMPONENTS - (CONT'D)
PATCH ENDS, PARTITIONS AND DIVIDERS - N5DSC/N5D
Solid Patch Ends, Mirrored



Item	Part No.	Qty.	Description	Item	Part No.	Qty.	Description
*	9021964	1	RH Box End Assy., Ptd. w/ BRT SS Liner w/Mirror 81"	10	9027969	2	1" Bumper, Pearl
*	9021965	1	LH Box End Assy., Ptd. w/ BRT SS Liner w/Mirror 81"		9027967	2	1" Bumper, Cool Gray
*	9021970	1	RH Box End Assy., Ptd.w/ BRT SS Liner w/Mirror 75.5"		9027968	2	1" Bumper, Black
*	9021971	1	LH Box End Assy., Ptd. w/ BRT SS Liner w/Mirror 75.5"		9040729	2	1" Bumper, Steel Gray
1	5100625	4	Nut, 5/16"-18	11	9027880	2	Mounting Retainer
2	9022759	4	Stud	12	9027742	4	End Cap, Pearl
3	5101003	4	Lockwasher		9027743	4	End Cap, Cool Gray
4	5100976	4	Washer		9027744	4	End Cap, Black
5	9022756	4	Threaded Insert		9310881	4	End Cap, Steel Gray
6	9022760	4	Tapping Plate	13	5183536	4	Screw
7	5219883	4	Screw	14	5104702	14	Rivet
8	9024392	1	RH Bench Assy., Ptd. w/ BRT SS Liner w/Mirror 81"	15	9602569	1	Close-off
	9024393	1	LH Bench Assy., Ptd. w/ BRT SS Liner w/Mirror 81"		1309067	3	Screw
	9024394	1	RH Bench Assy., Ptd. w/ BRT SS Liner w/Mirror 75.5"	16	9030016	1	Mirror Pan
	9024395	1	LH Bench Assy., Ptd. w/ BRT SS Liner w/Mirror 75.5"	17	9030019	1	Front Vertical Mirror Trim
9	9029422	1	Canopy Hood Trim	18	9027800	1	Bottom Horizontal Mirror Trim
				19	9030015	1	Mirror
				20	9030154	1	Top Mirror Trim
					5104702	30	Rivet



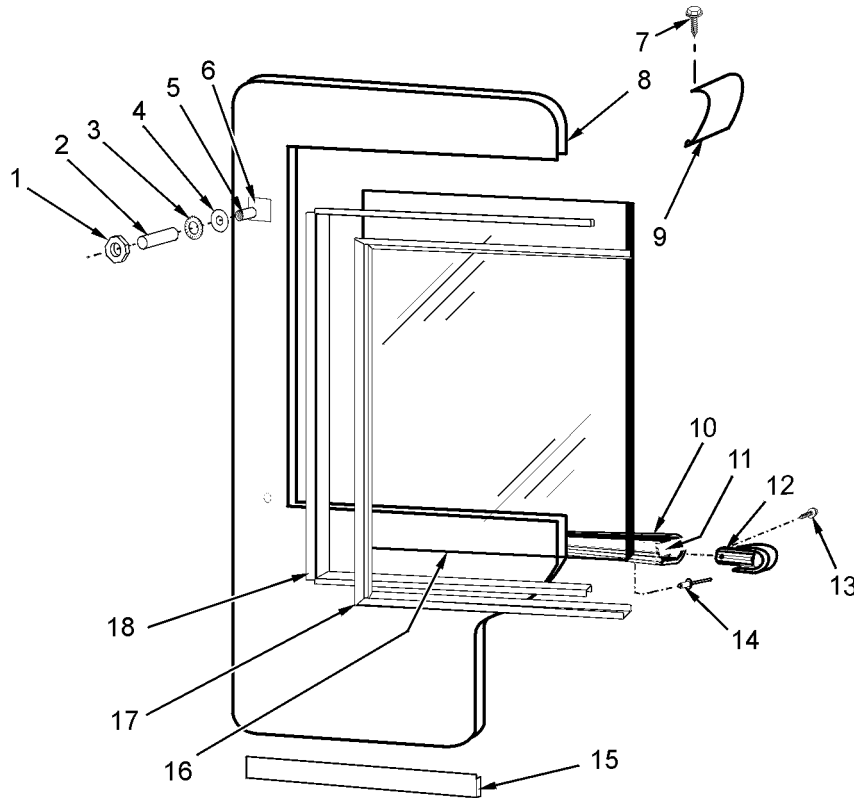
STRUCTURAL COMPONENTS - (CONT'D)
 PATCH ENDS, PARTITIONS AND DIVIDERS - N5DH/N5DL
 Solid Patch Ends, Mirrored



Item	Part No.	Qty.	Description	Item	Part No.	Qty.	Description
*	9029651	1	RH CNTR Box End Assy., Ptd. w/ BRT SS Liner w/Mirror 81"	11	9027880	2	Mounting Retainer
*	9029652	1	LH CNTR Box End Assy., Ptd. w/ BRT SS Liner w/Mirror 81"	12	9027742	4	End Cap, Pearl
1	5100625	4	Nut, 5/16"-18		9027743	4	End Cap, Cool Gray
2	9022759	4	Stud		9027744	4	End Cap, Black
3	5101003	4	Lockwasher		9310881	4	End Cap, Steel Gray
4	5100976	4	Washer	13	5183536	4	Screw
5	9022756	4	Threaded Insert	14	5104702	14	Rivet
6	9022760	4	Tapping Plate	15	9602569	1	Close-off
7	5219883	4	Screw		1309067	3	Screw
8	9024639	1	RH Bench Assy., Ptd. w/ BRT SS Liner w/Mirror 81"	16	9030016	1	Mirror Pan
	9024640	1	LH Bench Assy., Ptd. w/ BRT SS Liner w/Mirror 81"	17	9027800	1	Bottom Mirror End Trim
9	9029422	1	Canopy Hood Trim	18	9024814	11	Screw
10	9027969	2	1" Bumper, Pearl	19	9030019	1	FRT VERT End Mirror Trim
	9027967	2	1" Bumper, Cool Gray	20	9030015	1	Mirror
	9027968	2	1" Bumper, Black	21	9030154	1	Top Mirror End Trim
	9040729	2	1" Bumper, Steel Gray				



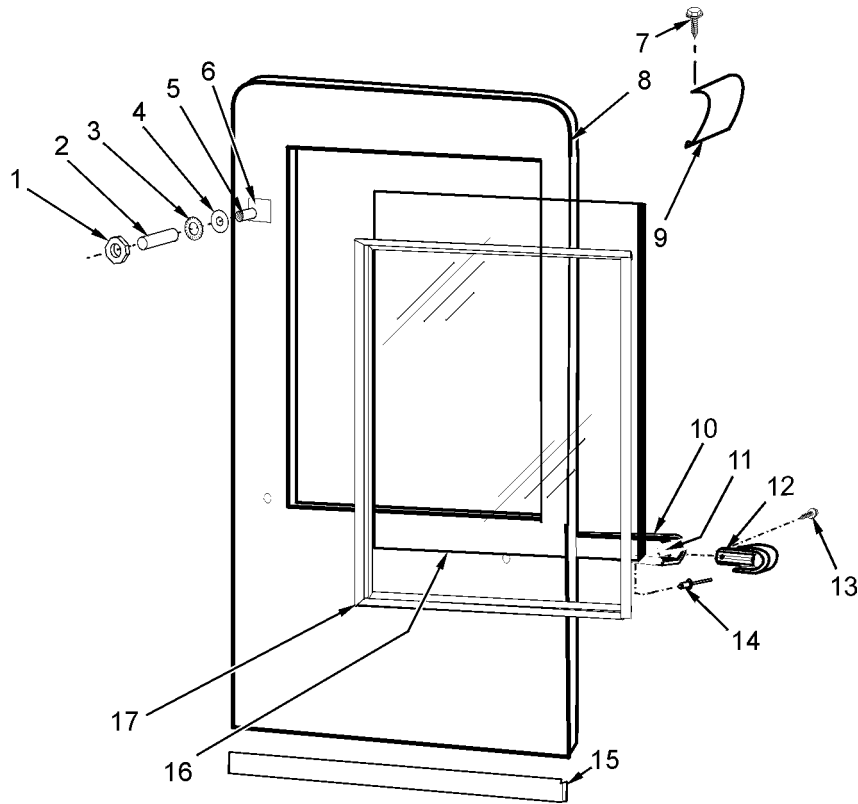
STRUCTURAL COMPONENTS - (CONT'D)
PATCH ENDS, PARTITIONS AND DIVIDERS - N5DSC/N5D
Solid Patch Ends with Glass Insert



Item	Part No.	Qty.	Description	Item	Part No.	Qty.	Description
*	9021966	1	RH Glass End Assy., Ptd. w/Ptd. Liner - 81"	11	9027880	2	Mounting Retainer
*	9021967	1	LH Glass End Assy., Ptd. w/Ptd. Liner - 81"	12	9027742	4	End Cap, Pearl
1	5100625	4	Nut, 5/16"-18		9027743	4	End Cap, Cool Gray
2	9022759	4	Stud		9027744	4	End Cap, Black
3	5101003	4	Lockwasher		9310881	4	End Cap, Steel Gray
4	5100976	4	Washer	13	5183536	4	Screw
5	9022756	4	Threaded Insert	14	5104702	14	Rivet
6	9022760	4	Tapping Plate	15	9602569	1	Close-off
7	5219883	4	Screw		1309067	3	Screw
8	9024396	1	RH Bench Assy., Ptd. w/Ptd. Liner - 81"	16	5965815	1	Glass
	9024397	1	LH Bench Assy., Ptd. w/Ptd. Liner - 81"	17	9030526	1	Glass Trim
9	9029422	1	Canopy Hood Trim		5208285	1	Tape
10	9027969	2	1" Bumper, Pearl	18	9030527	1	Spacer
	9027967	2	1" Bumper, Cool Gray		5104702	20	Rivet
	9027968	2	1" Bumper, Black				
	9040729	2	1" Bumper, Steel Gray				



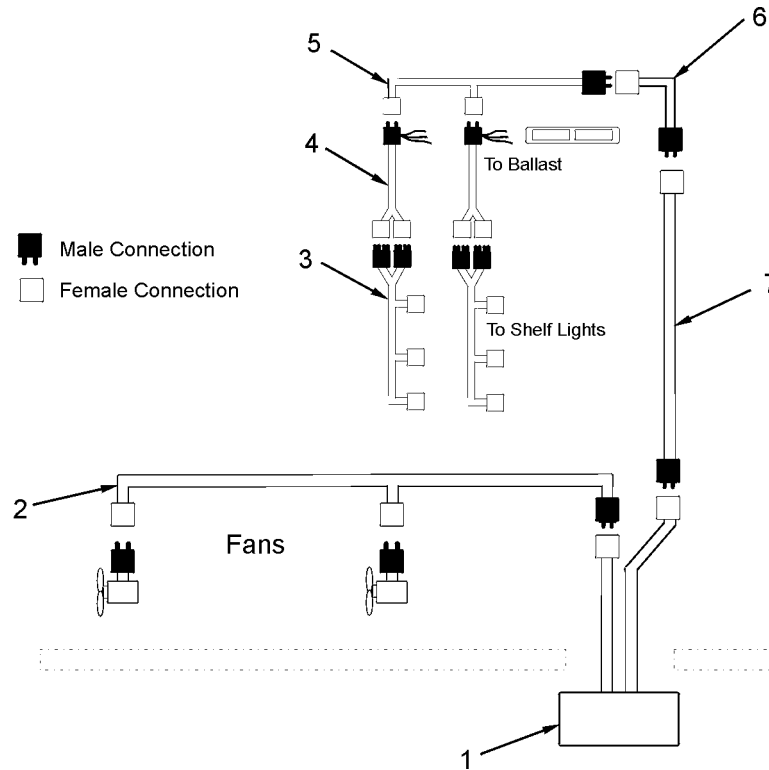
STRUCTURAL COMPONENTS - (CONT'D)
PATCH ENDS, PARTITIONS AND DIVIDERS - N5DH/N5L
Solid Patch Ends with Glass Insert



Item	Part No.	Qty.	Description	Item	Part No.	Qty.	Description
*	9603733	1	RH Glass End Assy., Ptd. w/Ptd. Liner - 81"	11	9027880	2	Mounting Retainer
*	9603734	1	LH Glass End Assy., Ptd. w/Ptd. Liner - 81"	12	9027742	4	End Cap, Pearl
1	5100625	4	Nut, 5/16"-18		9027743	4	End Cap, Cool Gray
2	9022759	4	Stud		9027744	4	End Cap, Black
3	5101003	4	Lockwasher		9310881	4	End Cap, Steel Gray
4	5100976	4	Washer	13	5183536	4	Screw
5	9022756	4	Threaded Insert	14	5104702	14	Rivet
6	9022760	4	Tapping Plate	15	9602569	1	Close-off
7	5219883	4	Screw		1309067	3	Screw
8	9603731	1	RH Bench Assy., Ptd. w/Ptd. Liner - 81"	16	9023878	1	Glass
	9603732	1	LH Bench Assy., Ptd. w/Ptd. Liner - 81"	17	9024058	1	Glass Frame
9	9029422	1	Canopy Hood Trim		9024099	1	Tape
10	9027969	2	1" Bumper, Pearl				
	9027967	2	1" Bumper, Cool Gray				
	9027968	2	1" Bumper, Black				
	9040729	2	1" Bumper, Steel Gray				



ELECTRICAL SYSTEM COMPONENTS
WIRING HARNESSSES - N5DSC/N5D
Wiring and Components



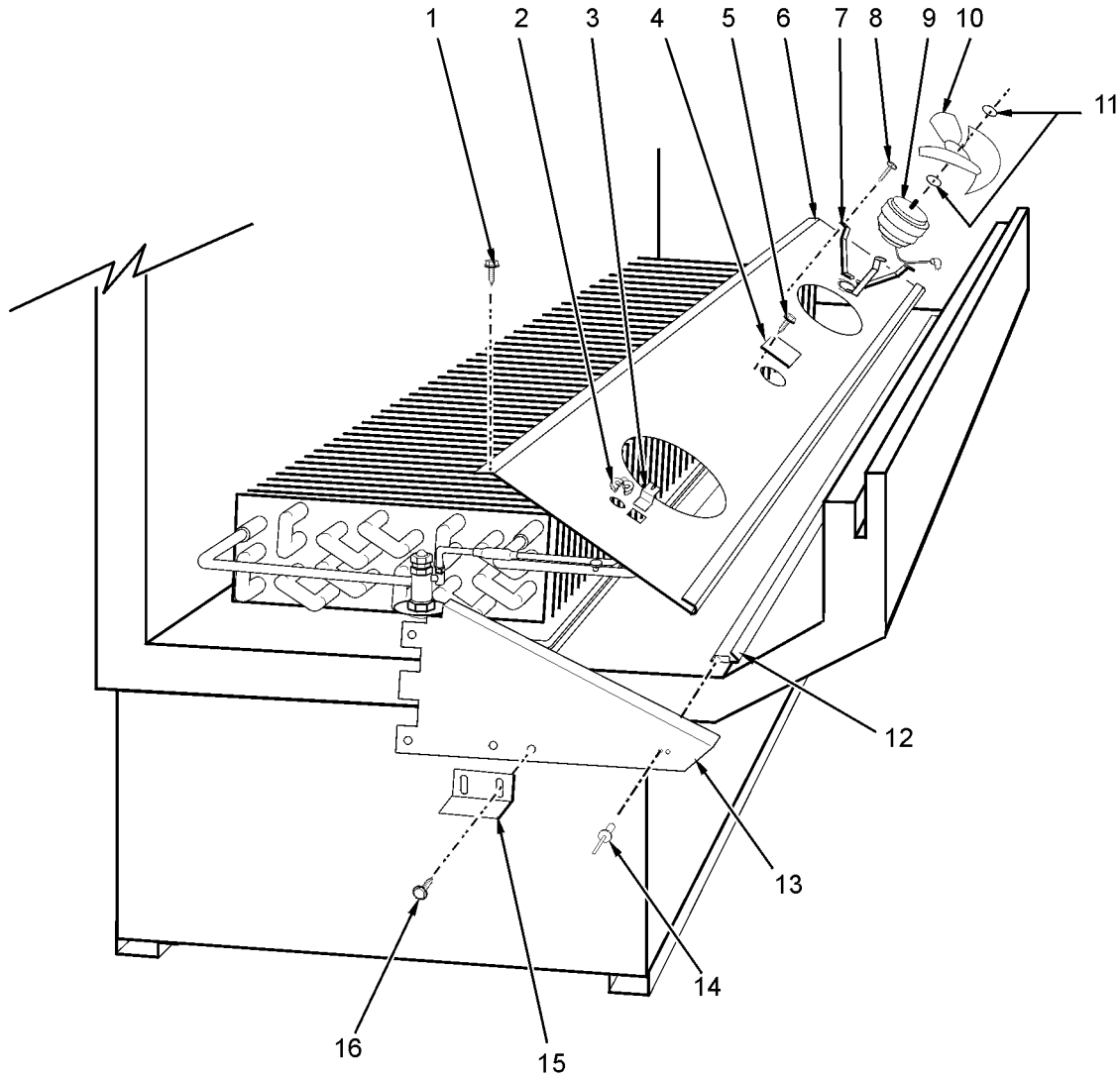
4', 6' and 8' Merchandiser

Item	Part No.	Quantity			Description
		4'	6'	8'	
1	5968092	1	1	1	Handy Box
	5968093	1	1	1	Handy Box Cover
	5183536	5	5	5	Screw
	9041307	1	1	1	Input Power Harness
2	5199414	1	1	-	Fan Harness
	5199415	-	-	1	Fan Harness
3	9025918	1	2	2	Rear Duct Harness
4	5966635	1	2	2	Opt. Shelf Light Ballast, 4-Lamp
5	9041309	1	2	2	Top Shelf Light Harness
6	5049140	1	1	1	Canopy Light Ballast
7	9041308	1	1	1	Light Supply Hrness



ELECTRICAL SYSTEM COMPONENTS - (CONT'D)

FAN SYSTEMS - N5D/N5DSC/N5DH/N5DL

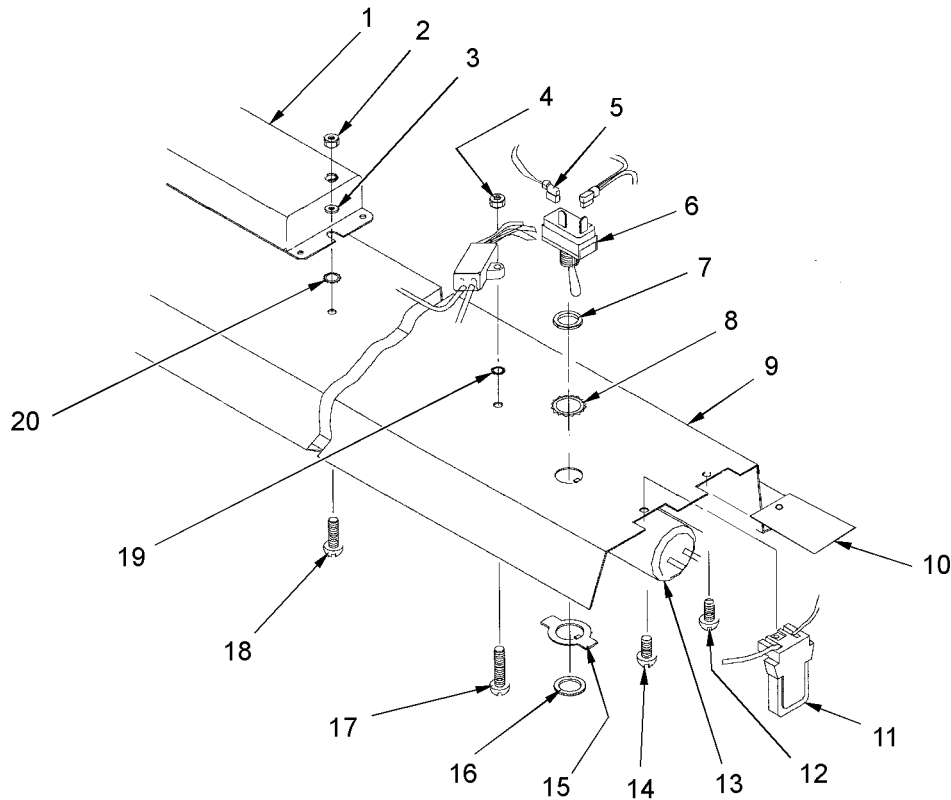


4', 6' and 8' Merchandiser

Item	Part No.	Quantity			Description	Item	Part No.	Quantity			Description
		4'	6'	8'				4'	6'	8'	
1	5183536	10	10	10	Screw	9025002	2	2	3	OPTL ECM Fan Motor 8W	
2	5122007	3	3	3	Strain Relief	10	5221604	2	2	3	STD Fan Blade
3	5206177	2	2	3	Hold down Clip		5223370	2	2	3	OPTL ECM Fan Blade
4	5205171	2	2	3	Inspection Hole Cover	11	-----	2	2	3	Washer (furn. w/motor)
5	5183536	4	4	6	Screw		-----	2	2	3	Nut (furn. w/motor)
6	5965820	1	-	-	Fan Panel	12	5965823	1	-	-	Front Support
	5965821	-	1	-	Fan Pnael		5965824	-	1	-	Front Support
	5965822	-	-	1	Fan Panel		5965825	-	-	1	Front Support
*	5223524	2	2	3	Fan Motor Assy. 5W	13	5965860	1	1	1	RH End Close-off
*	9025012	2	2	3	OPTL ECM Fan MTR Assy. 8 W		5965861	1	1	1	LH End Close-off
7	5962269	6	6	9	STD Bracket	14	5104702	4	4	4	Rivet
	9025005	6	6	9	OPTL ECM Bracket	15	5966366	2	2	2	Drain Close-off
	9041077	2	2	3	Fan BRKT MTG Plate	16	5183536	4	4	4	Screw
8	-----	12	12	18	Screw (furn. w/motor)						
9	5125532	2	2	3	Fan Motor 5W						



ELECTRICAL SYSTEM COMPONENTS - (CONT'D)
CANOPY LIGHTS - N5DSC/N5D/N5DH/N5DL
Optional 1-Row Lighting - T8

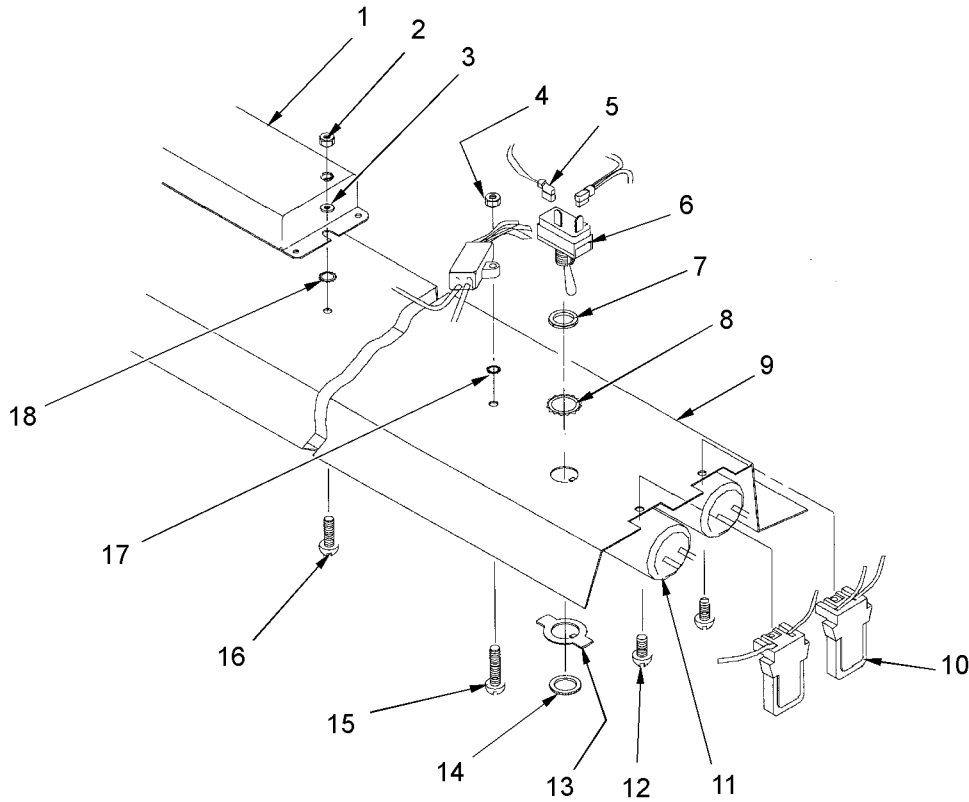


4', 6' and 8' Merchandiser

Item	Part No.	Quantity			Description	Item	Part No.	Quantity			Description
		4'	6'	8'				4'	6'	8'	
*	9037266	1	-	-	Light Channel Assy., 1-Row T-8	8	5211201	1	1	1	Washer, Shakeproof
*	9037267	-	1	-	Light Channel Assy., 1-Row T-8	9	9037266	1	-	-	Light Channel, T-8
*	9037268	-	-	1	Light Channel Assy., 1-Row T-8	9037267	-	-	1	-	Light Channel, T-8
						9037268	-	-	1	-	Light Channel, T-8
1	5991029	1	1	1	T-8 Ballast	10	9025994	2	3	3	Cover
2	5100661	2	2	2	Nut	11	9041897	2	4	4	Lampholder, T-8
	5101000	2	2	2	Lockwasher	12	5619204	2	4	4	Screw
3	5100973	2	2	2	Washer	13	-----	1	2	2	Fluorescent Lamp
4	5111198	1	1	1	Nut	14	5214107	2	4	4	Screw
5	5211734	1	1	1	Connector, 90°	15	-----	1	1	1	Washer (furn w/switch)
	9041894	1	1	1	Light Switch Harness	16	-----	1	1	1	Nut (furn. w/switch)
6	5100565	1	1	1	Toggle Switch	17	5185153	1	1	1	Screw
7	-----	1	1	1	Nut (furn. w/switch)	18	5100379	2	2	2	Screw
						19	5103996	1	1	1	Lockwasher
						20	5103997	2	2	2	Lockwasher



ELECTRICAL SYSTEM COMPONENTS - (CONT'D)
CANOPY LIGHTS - N5DSC/N5D/N5DH/N5DL
Optional 2-Row Lighting

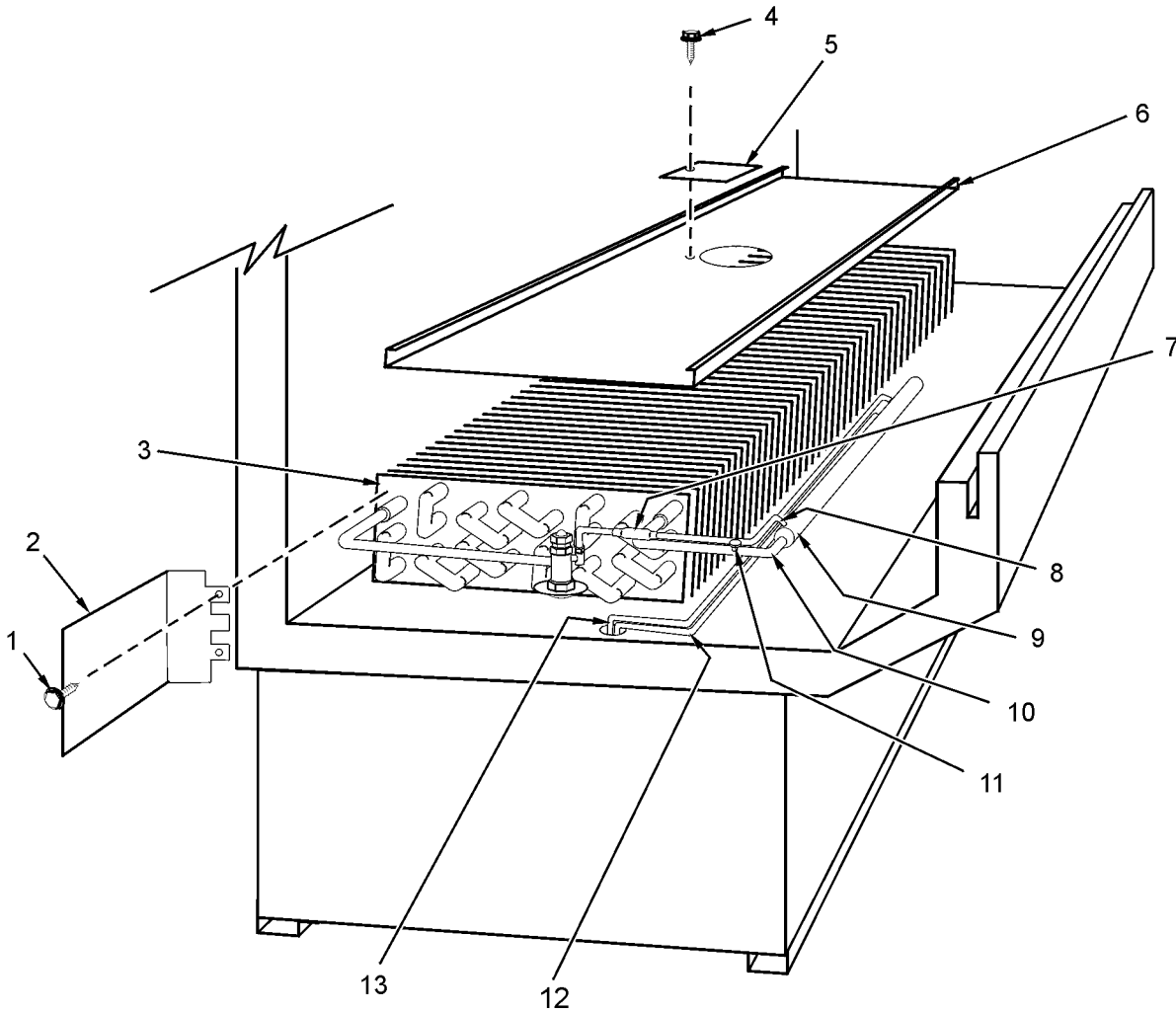


4', 6' and 8' Merchandiser

Item	Part No.	Quantity			Description	Item	Part No.	Quantity			Description
		4'	6'	8'				4'	6'	8'	
*	9037270	1	-	-	Light Channel Assy., 2-Row T-8	7	-----	1	1	1	Nut (furn. w/switch)
*	9037271	-	1	-	Light Channel Assy., 2-Row T-8	8	5211201	1	1	1	Washer, Shakeproof
*	9037272	-	-	1	Light Channel Assy., 2-Row T-8	9	9037266	1	-	-	Light Channel, T-8
							9037267	-	1	-	Light Channel, T-8
							9037268	-	-	1	Light Channel, T-8
1	5991029	1	-	-	T-8 Ballast, 2-Lamp	10	9041897	4	8	8	Lampholder, T-8
	5966635	-	1	1	T-8 Ballast, 4-Lamp	11	-----	2	4	4	Fluorescent Lamp
2	5100661	2	2	2	Nut	12	5214107	4	8	8	Screw
	5101000	2	2	2	Lockwasher	13	-----	1	1	1	Washer (furn. w/switch)
3	5100973	2	2	2	Washer	14	-----	1	1	1	Nut (furn. w/switch)
4	5111198	1	1	1	Nut	15	5185153	1	1	1	Screw
5	5211734	1	1	1	Connector, 90°	16	5100379	2	2	2	Screw
	9041894	1	1	1	Light Switch Harness	17	5103996	1	1	1	Lockwasher
6	5100565	1	1	1	Toggle Switch	18	5103997	1	1	1	Washer



REFRIGERATION SYSTEM COMPONENTS
 COIL ASSEMBLIES - N5DSC/N5D/N5DH/N5DL

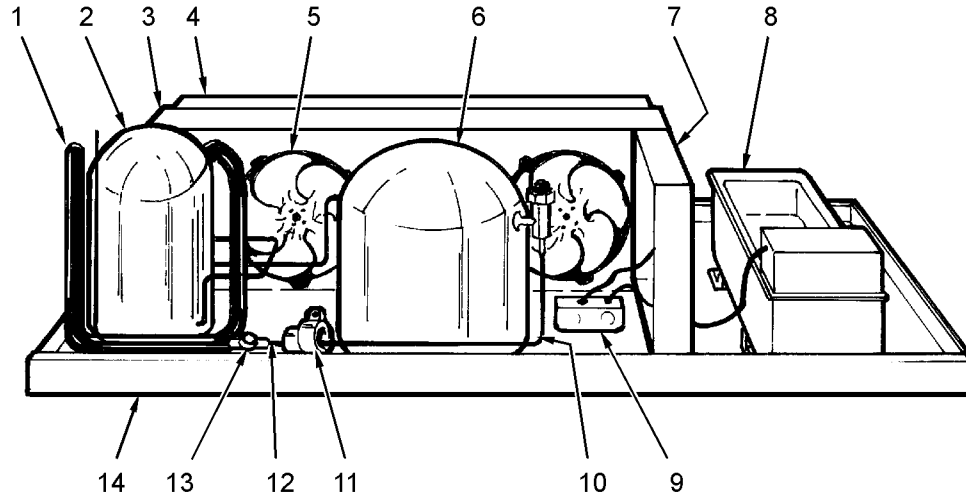


4', 6' and 8' Merchandiser

Item	Part No.	Quantity			Description	Item	Part No.	Quantity			Description
		4'	6'	8'				4'	6'	8'	
1	5183536	8	8	8	Screw	5965863	-	1	-	Coil Cover	
2	9037554	2	2	2	RR Coil Close-off	5965864	-	-	1	Coil Cover	
3	5965924	1	-	-	Coil & Fitting Assy.	7	5801449	1	1	1	Strainer
	5965925	-	1	-	Coil & Fitting Assy.	8	5966330	1	1	1	Liquid to Valve Line
	5965926	-	-	1	Coil & Fitting Assy.	9	5607405	1	1	1	Heat Exchanger
4	5183536	4	4	6	Screw	10	5966333	1	1	1	Suction to Coil Line
5	5205171	2	2	3	Insp. Hole Cover	11	5624902	1	1	1	Access Valve
6	5965862	1	-	-	Coil Cover	12	5239495	1	1	1	Liquid Line Stub
						13	5239496	1	1	1	Suction Line Stub
							9602699	1	-	-	Suction Line Tube



REFRIGERATION SYSTEM COMPONENTS - (CONT'D)
CONDENSING UNITS - N5DSC4

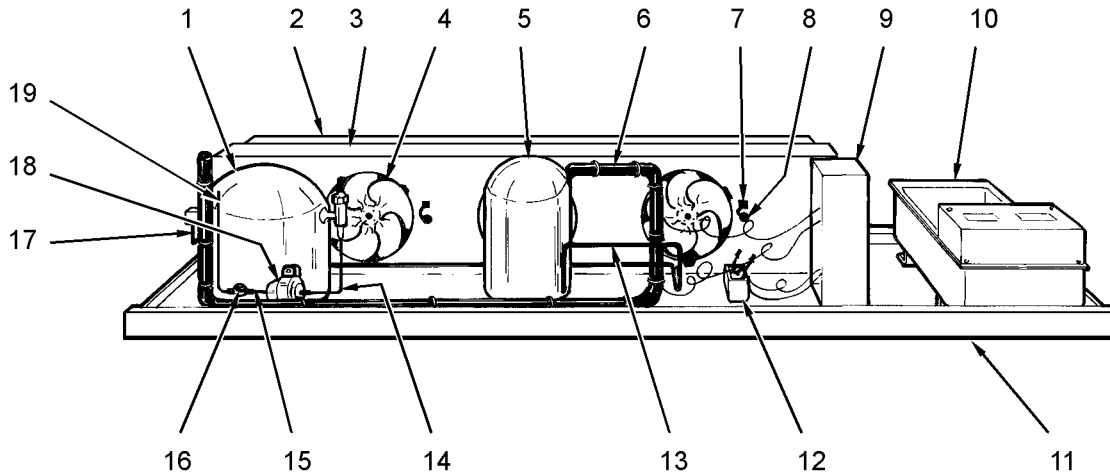


Item	Part No.	Qty.	Description	Item	Part No.	Qty.	Description
1	5965996	1	Suction Line Assy.	9601903	1	Heater Box	
	5231436	38"	Pipe Insulation	9601902	1	Heater Box Cover	
2	5965977	1	Compressor	5183536	7	Screw	
	5965999	1	Discharge Line Assy.	5966378	1	Thermostat-170/210	
*	5965952	1	Fan Panel Assy.	5966033	1	Float & Rod Assy.	
3	5965949	1	Fan Panel	5900592	1	Float	
	5199414	1	Fan Panel Harness	5966032	1	Float Rod	
	5123674	2	Strain Relief	5900541	1	Float Guide Assy.	
4	5232470	1	Condensor	5900539	1	Float Guide Plate	
*	5965951	2	Fan Motor Assy.	5900540	1	Float Guide	
5	5147669	2	Fan Motor	5900542	1	Float Switch Weld Assy.	
	5183536	6	Screw	9	5102187	1	Handy Box
	5187551	2	Fan Blade	5102157	1	Handy Box Cover	
	5205112	6	Fan Motor Bracket	5183536	2	Screw	
	5224128	6	Screw	10	5966000	1	Receiver Tank to Drier Tube
6	5965483	1	Receiver Tank	11	5236780	1	Drier
	5966001	1	Condensor to Receiver Tank Tube	12	5965971	1	Drier to Site Glass Tube
*	5933420	1	Control Box Assy.	13	5236781	1	Site Glass
7	5161078	1	Defrost Control	5966002	1	Site Glass to Case Tube	
	5109829	1	Timer Base	14	5966015	1	Bottom Pan
	5183536	8	Screw				
	5220509	1	Dual Pressure Control				
	5183536	1	Screw				
*	9601928	1	Condensate Pan Assy.				
8	9601926	1	Condensate Pan				
	9601906	1	Cond. Pan Heater, 1500W				



REFRIGERATION SYSTEM COMPONENTS - (CONT'D)

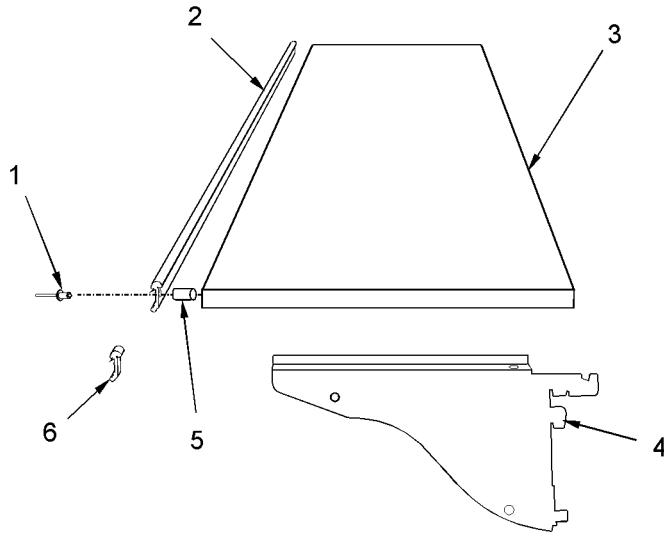
CONDENSING UNITS - N5DSC6



Item	Part No.	Qty.	Description	Item	Part No.	Qty.	Description
1	5965483	1	Receiver Tank		5966033	1	Float & Rod Assy.
2	5232471	1	Condensor		5900592	1	Float
*	5965953	1	Fan Panel Assy.		5966032	1	Float Rod
3	5965950	1	Fan Panel		5900541	1	Float Guide Assy.
*	5965951	2	Fan Motor Assy.		5900539	1	Float Guide Plate
4	5183536	9	Screw		5900540	1	Float Guide
	5147669	3	Fan Motor		5900542	1	Float Switch Weld Assy.
	5187551	3	Fan Blade	11	5965954	1	Bottom Pan
	5205112	9	Fan Motor Bracket	12	5102187	1	Handy Box
	5224128	9	Screw		5102157	1	Handy Box Cover
5	5965978	1	Compressor		5183536	4	Screw
6	5965968	1	Suction Line Assy.	13	5965976	1	Discharge Line Assy.
	5231436	60"	Pipe Insulation	14	5965972	1	Receiver Tank to Drier Tube
7	5217226	1	Fan Harness	15	5965971	1	Drier to Site Glass Tube
8	5123674	3	Strain Relief	16	5236781	1	Site Glass
9	5933420	1	Control Box Assy.	17	5965969	1	Cond. to Receiver Tank Tube
	5161078	1	Time Clock	18	5236780	1	Drier
	5109829	1	Mounting Bracket		5197845	1	Drier Clamp
	5183536	4	Screw		5965684	4	Screw
	5220509	1	Dual Pressure Control	19	5965970	1	Site Glass to Case Tube
	5183536	2	Screw				
*	5965984	1	Condensate Pan Assy.				
10	5966037	1	Condensate Pan				
	5995427	1	Heater Box				
	5995954	1	Heater Box Cover				
	5183536	7	Screw				
	5966031	1	Condensate Pan Heater				
	5966378	1	Thermostat				



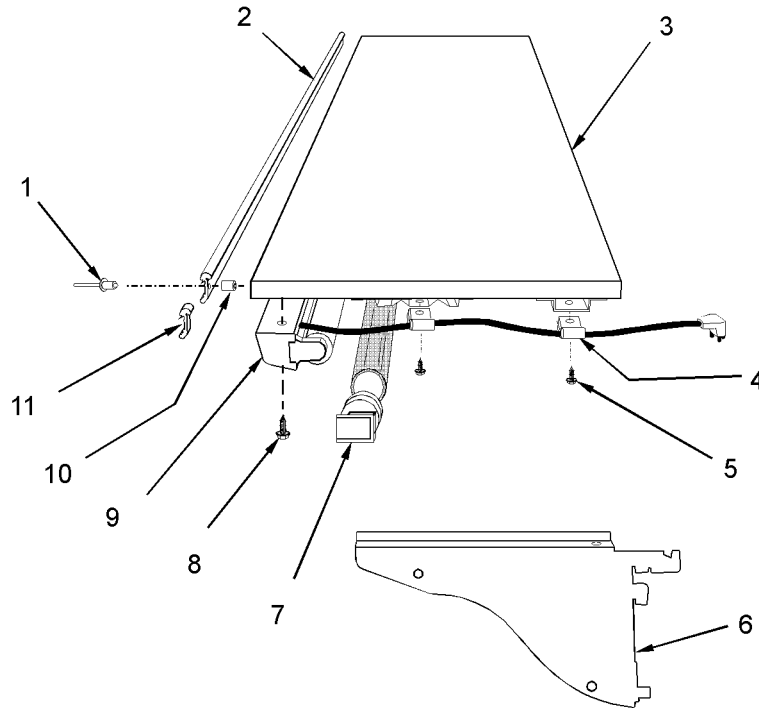
OPTIONAL CASE ACCESSORIES
 SHELF ASSEMBLIES - N5DSC/N5D
 Optional 36" and 48" Wide Shelves w/o Lights



Item	Part No.	Qty.	Description	Item	Part No.	Qty.	Description
*	5986874	1	20" x 36" Shelf Assy., Ptd.	*	5246737	1	20" x 48" Shelf Bench Assy., BRT SS
*	5619375	1	20" x 48" Shelf Assy., Ptd.				
*	5966313	1	20" x 48" Shelf & Gasket Assy., Ptd.	3	5965236	1	20" x 36" Shelf, Ptd.
*	5246735	1	20" x 48" Shelf & Gasket Assy., BRT SS		5220614	1	20" x 48" Shelf, Ptd.
1	5144974	4	Rivet		5944624	1	20" x 48" Shelf, BRT SS
2	5236909	1	Narrow Card Molding, 36"		5984400	1	Gasket Retainer (Shlf & Gskt Assy.)
	5236879	1	Narrow Card Molding, 48"		5984402	1	Gasket (Shlf & Gskt Assy.)
*	5965241	1	20" x 36" Shelf Bench Assy., Ptd.	4	5104957	6	Rivet (Shlf & Gskt Assy.)
*	5184621	1	20" x 48" Shelf Bench Assy., Ptd.	5	5185812	1	RH Shelf Bracket, 20" Ptd.
					5185813	1	LH Shelf Bracket, 20" Ptd.
				5	5127438	4	Spacer
				6	5941919	1	Card Molding Joint Trim



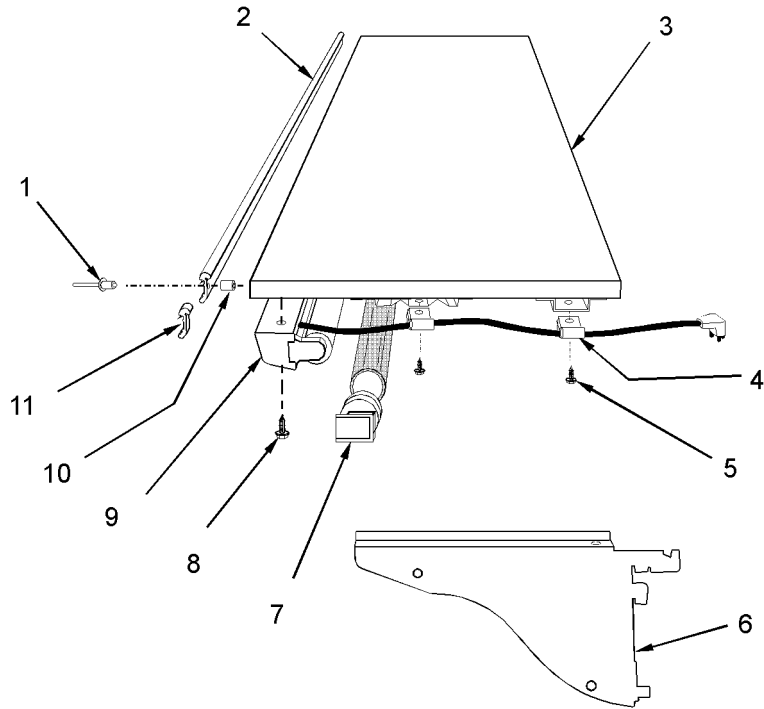
OPTIONAL CASE ACCESSORIES - (CONT'D)
 SHELF ASSEMBLIES - N5DSC/N5D
 Optional 36" Wide Shelves w/ T-8 Lights



Item	Part No.	Qty.	Description	Item	Part No.	Qty.	Description
*	9020941	1	20" Lighted Shelf Assy., Ptd.	4	5100902	2	Clip
*	9020943	1	20" Lighted Shelf & Gasket Assy., Ptd.	5	5619204	2	Screw
1	5144974	4	Rivet	6	5185812	1	RH Shelf Bracket, 20" Ptd.
2	5236909	1	Narrow Card Molding, 36"	7	5185813	1	LH Shelf Bracket, 20" Ptd.
*	9026436	1	20" LT Shelf Bench Assy., Ptd.	8	5981627	2	Lampshield Cap
*	9027352	1	20" LT Shelf & Gasket Bench Assy., Ptd.	9	5183536	3	Screw
3	5965236	1	20" x 36" Shelf, Ptd.	9	9026433	1	Light Channel Assy., Ptd.
	5237966	1	Gasket Retainer (Shlf & Gskt Assy.)		9027906	1	Shelf Harness (furn. w/lampholders)
	5237967	1	Gasket (Shlf & Gskt Assy.)		5217544	2	Replacement Lampholder
	5104957	6	Rivet (Shlf & Gskt Assy.)	10	5127438	4	Spacer
				11	5941919	1	Card Molding Joint Trim



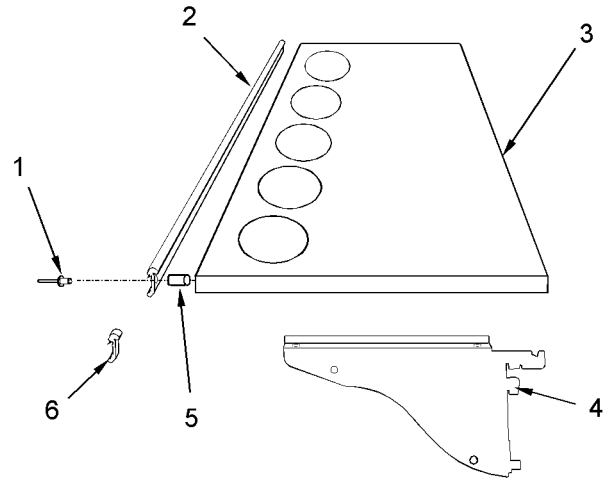
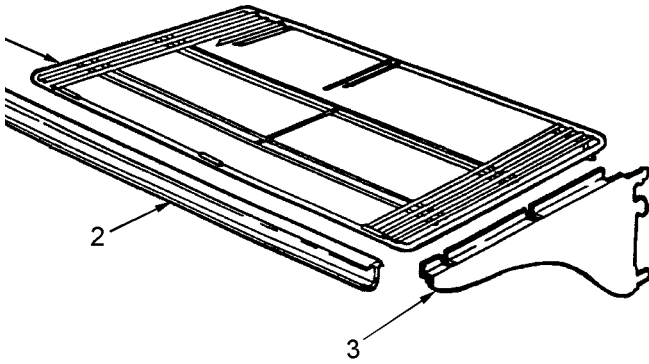
OPTIONAL CASE ACCESSORIES - (CONT'D)
 SHELF ASSEMBLIES - N5DSC/N5D
 Optional 48" Wide Shelves w/ T-8 Lights



Item	Part No.	Qty.	Description	Item	Part No.	Qty.	Description
*	9020936	1	18" Lighted Shelf Assy., Ptd.	*	9026108	1	20" LT Shlf & Gskt Bench Assy., Ptd.
*	9020946	1	18" Lighted Shelf & Gasket Assy., Ptd.	*	9027447	1	20" LT Shlf & Gskt Bench Assy., MB SS
*	9021275	1	18" Lighted Shelf Assy., MB SS	3	5220613	1	18" x 48" Shelf, Ptd.
*	9021296	1	18" Lighted Shelf & Gasket Assy., MB SS		5950572	1	18" x 48" Shelf, MB SS
*	9020937	1	20" Lighted Shelf Assy., Ptd.		5220614	1	20" x 48" Shelf, Ptd.
*	9026374	1	20" Lighted Shelf & Gasket Assy., Ptd.		5950573	1	20" x 48" Shelf, MB SS
*	9020944	1	20" Lighted Shelf & Gasket Assy., Ptd.		5984400	1	Gasket Retainer (Shlf & Gskt Assy.)
*	9600396	1	20" Lighted Shelf & Gasket Assy., MB SS		5984402	1	Gasket (Shlf & Gskt Assy.)
*	9021276	1	20" Lighted Shelf & Gasket Assy., MB SS	4	5104957	6	Rivet (Shlf & Gskt Assy.)
*	9600397	1	20" Lighted Shelf & Gasket Assy., MB SS	5	5100902	2	Clip
1	5144974	4	Rivet	6	5619204	2	Screw
2	5236879	1	Narrow Card Molding	7	5088412	1	RH Shelf Bracket, 18" Ptd.
*	9026107	1	18" LT Shlf Bench Assy., Ptd.		5088413	1	LH Shelf Bracket, 18" Ptd.
*	9026111	1	18" LT Shlf & Gskt Bench Assy., Ptd.		5185812	1	RH Shelf Bracket, 20" Ptd.
*	9027446	1	18" LT Shlf Bench Assy., MB SS		5185813	1	LH Shelf Bracket, 20" Ptd.
*	9027450	1	18" LT Shlf & Gskt Bench Assy., MB SS	7	5981627	2	Lampshield Cap
				8	5183536	3	Screw
				9	9026104	1	Light Channel Assy., Ptd.
					9027391	1	Light Channel Assy., MB SS
					9025984	1	Light Channel, Ptd.
					9027486	1	Light Channel, MB SS
					9027906	1	Shelf Harness (furn. w/lampholders)
					5217544	2	Replacement Lampholder
				10	5127438	4	Spacer
				11	5941919	1	Card Molding Joint Trim



OPTIONAL CASE ACCESSORIES - (CONT'D)
SHELF SCREEN, SHELF BASKET AND SHELVES WITH HOLES

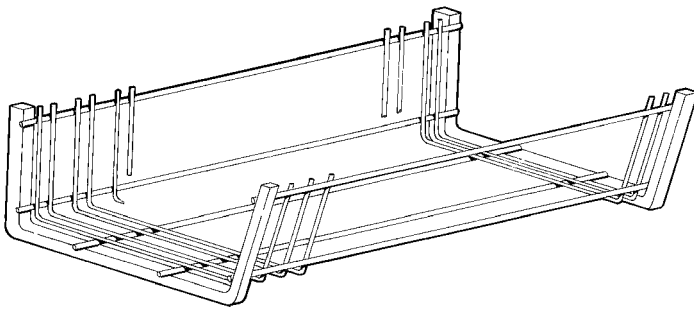


Optional Shelf Screen Assembly

Item	Part No.	Qty.	Description
*	5998537	1	Shelf Screen Assy.
1	5998536	1	Shelf Screen w/3" Lip, WHT
2	5236879	1	Card Molding
	5941919	1	Card Molding Joint Trim
	5104702	4	Rivet
3	5998611	1	RH Adjustable Bracket
	5998612	1	LH Adjustable Bracket

Optional Shelves with Holes

Item	Part No.	Qty.	Description
*	9030943	1	20" x 36" Shelf Assy., Ptd.
*	9601545	1	20" x 48" Shelf Assy., Ptd.
1	5144974	4	4 Rivet
2	5236909	1	Card Molding, 36"
	5236879	1	Card Molding, 48"
3	9030938	1	20" x 36" Shelf w/ Holes, Ptd.
	9601543	1	20" x 48" Shelf w/ Holes, Ptd.
4	5185812	1	RH Bracket
	5185813	1	LH Bracket
5	5127438	4	Spacer
6	5941919	1	Card Molding Joint Trim

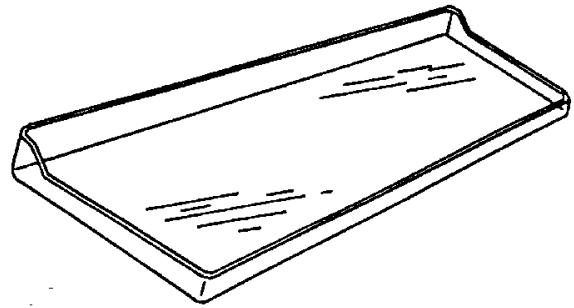
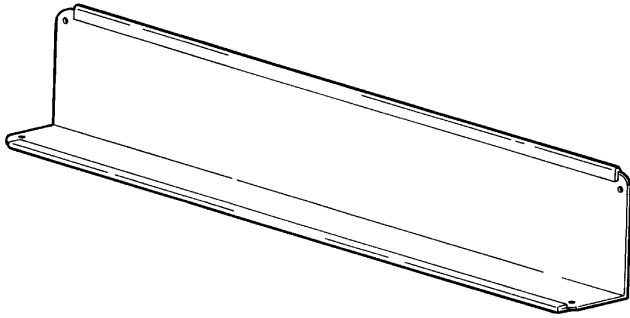


Optional Wire Shelf Basket

Item	Part No.	Qty.	Description
-	5998967	1	Wire Shelf Basket, BPC 14" x 36"
-	5998968	1	Wire Shelf Basket, BPC 16" x 36"
-	5998969	1	Wire Shelf Basket, BPC 18" x 36"



OPTIONAL CASE ACCESSORIES - (CONT'D)
DIVIDER, FENCES, SHELF TRAYS, BOTTOM TRAYS AND DECK PAN

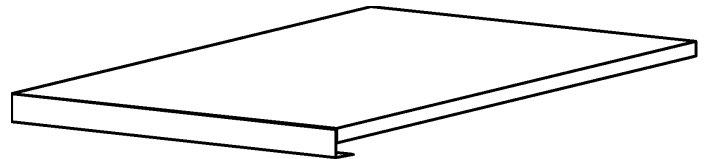
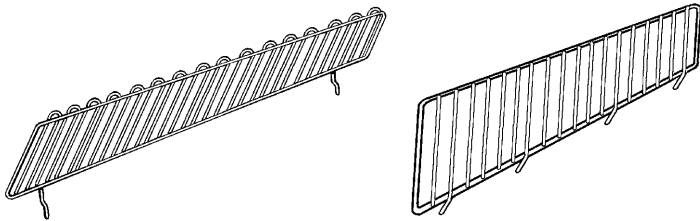


Optional "L" Solid Divider

Item	Part No.	Qty.	Description
-	5994424	1	"L" Solid Divider, Ptd. 47 7/8" x 3" x 6"

Optional Shelf Trays

Item	Part No.	Qty.	Description
-	5605366	1	18" Shelf Tray

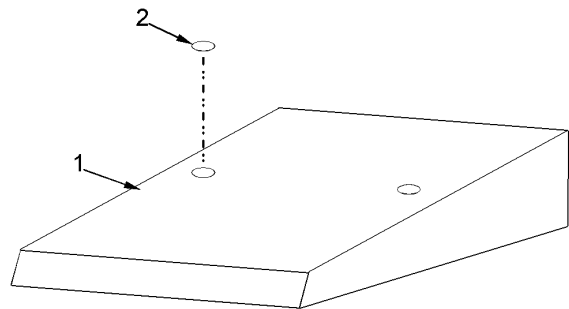
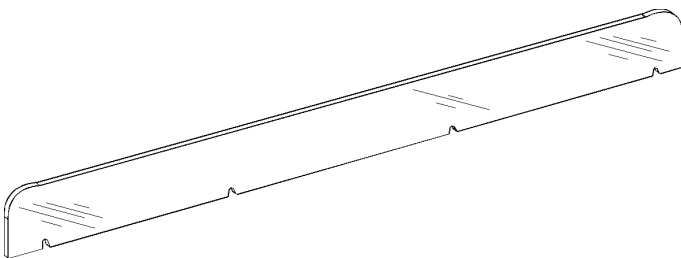


Optional Wire Fences

Item	Part No.	Qty.	Description
-	5638195	1	Wire Fence, WPC - 3" x 36"
-	5932154	1	Wire Fence, BPC - 3" x 36"
-	5644322	1	Wire Fence, WPC - 3" x 48"

Optional Bottom Trays

Item	Part No.	Quantity			Description
		4'	6'	8'	
-	5237459	2	3	4	Bottom Tray, Ptd. 23 15/16" x 23 9/16"
-	5932385	2	3	4	Bottom Tray, MB SS 23 15/16" x 23 9/16"



Optional Plexiglas Fences

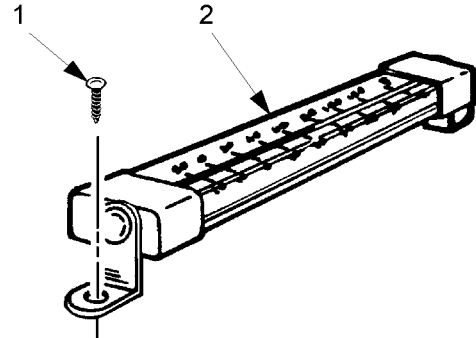
Item	Part No.	Qty.	Description
-	5638900	1	2" Plexiglas Fence for 36" Shelf
-	5998978	1	3" Plexiglas Fence for 36" Shelf
-	5940289	1	3" Plexiglas Fence for 48" Shelf

Optional Deck Pan

Item	Part No.	Qty.	Description
*	9030465	1	15° Slope Deck Pan
1	9030462	1	Deck Pan
	9030463	1	RH Side
	9030464	1	LH Side
2	5124331	2	Bushing

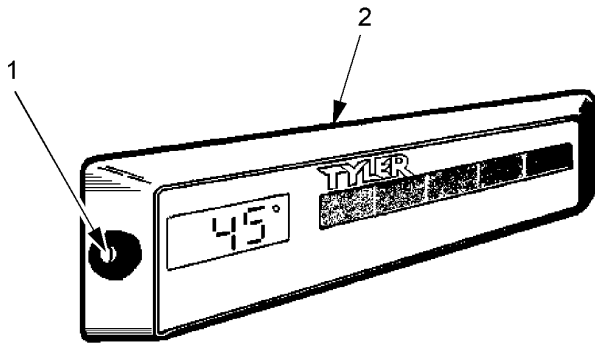


OPTIONAL CASE ACCESSORIES - (CONT'D) THERMOMETERS



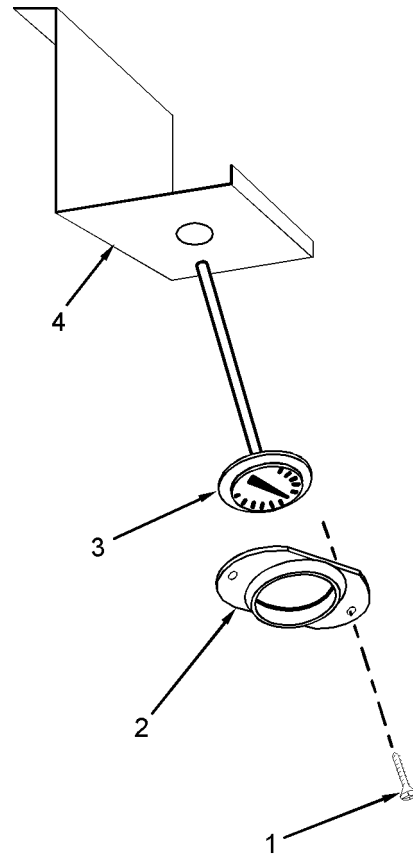
Thermometer

Item	Part No.	Qty.	Description
*	5951645	1	Thermometer Assembly
1	5048626	2	Screw
2	5967100	1	Thermometer



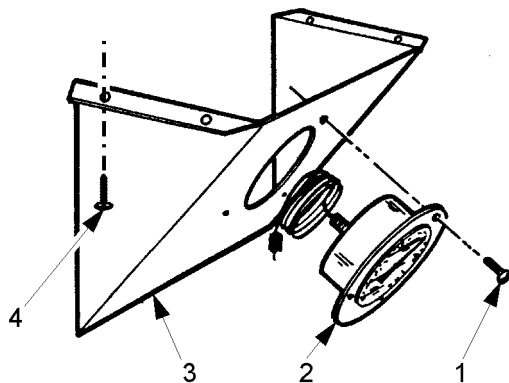
Digital Solar Thermometer

Item	Part No.	Qty.	Description
*	5230902	1	Digital Thermometer Assy., °F
*	5988307	1	Digital Thermometer Assy., °C
1	5230884	2	Screw
2	5239500	1	Digital Thermometer, °F
	5239501	1	Digital Thermometer, °C



1" Dial Thermometer

Item	Part No.	Qty.	Description
*	5204748	1	Thermometer Assembly
1	5319883	2	Screw
2	----	1	Mounting Ring (furnished with thermometer)
3	5203829	1	1" Dial Thermometer
4	5207843	1	Support
	5104702	2	Rivet

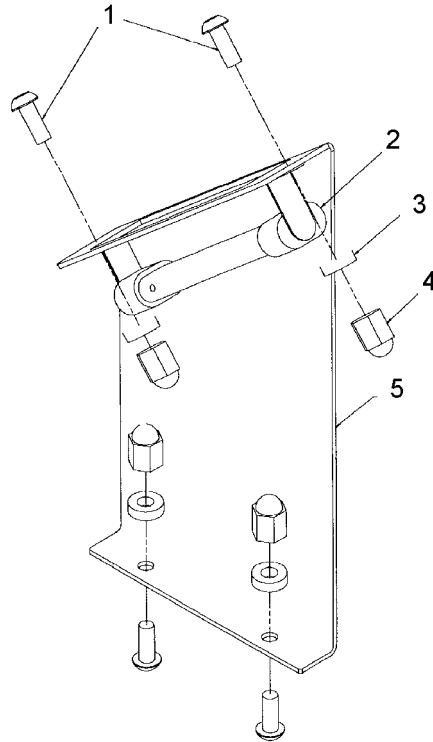


2" Dial Thermometer

Item	Part No.	Qty.	Description
*	5081504	1	Thermometer Assembly
1	5111242	2	Screw
2	5204006	1	2" Dial Thermometer
3	5204762	1	Thermometer Housing
4	5199134	4	Screw



OPTIONAL CASE ACCESSORIES - (CONT'D) THERMOMETERS



Standard Thermometer

Item	Part No.	Qty.	Description
*	9311126	1	Thermometer Assembly
1	9311125	2	Screw
2	5967100	1	Thermometer
3	5103997	2	Lock Washer
4	5223244	2	Acorn Nut
5	9303113	1	Thermometer Bracket 7"