

• N5DSC MULTISHELF DAIRY/DELI MERCHANDISERS (SELF-CONTAINED) •

Self-Contained Refrigeration & Defrost Data:

CASE USAGE	REFRIGERANT (R22) DESIGN PRESSURE		DISCHARGE AIR		DEFROSTS		THERMOSTAT SETTINGS		REFRIGERATION CHARGE (LBS / CASE) N5DSC4 N5DSC6	
	LOW SIDE (PSIG)	HIGH SIDE (PSIG)	TEMPERATURE (°F)	VELOCITY (FPM)	DEFROSTS PER DAY	DURATION TIME (MIN.)	CUT-IN (°F)	CUT-OUT (°F)		
MED TEMP	183	400	35	300	6	28	35	28	8.0	10.0

Electrical Data:

CASE ELECTRICAL CIRCUITS: One 208VAC Electrical Power Supply is required for Self-Contained cases.

This 208VAC Power Supply (3 wire plus ground) runs a 208VAC Circuit for Condensing Unit and Condensing Fan and a 120VAC Circuit supplies the Evaporator Fans and Lights.

Self-Contained Electrical Data (208 VAC)

MODEL	SELF-CONTAINED COMPRESSOR			M.C.A.***	M.O.P.****
	UNIT	R.L.A.*	L.R.A.**	AMPS	AMPS
N5DSC4	208VAC 60Hz 1 Ph, 1-1/4 HP	7.0	34.2	15.5	20.0
N5DSC6	208VAC 60Hz 1 Ph, 1-3/4 HP	10.36	48.2	22.0	30.0

* Run Load Amperage (includes the compressor).

** Locked Rotor Amperage.

*** Minimum Circuit Ampacity (includes all electrical components and options; condenser fans, evaporator fans, lights, compressor unit & drain pan heater)

**** Maximum Overcurrent Protection.

NOTE: M.C.A. and M.O.P. may vary due to specific condensing unit availability. Check data plate for the exact M.C.A. and M.O.P. on your specific model.

Self-Contained Evaporator Fans (120 VAC)

MODEL	CASE LENGTH	FANS / CASE	TOTAL STANDARD FANS		TOTAL ECM FANS	
			AMPS	WATTS	AMPS	WATTS
			N5DSC4	4'	2	0.68
N5DSC6	6'	2	0.68	60.4	0.44	22.0

Self-Contained Lighting (120 Volt)

MODEL	CASE LENGTH	CANOPY LIGHTS* -- PER ROW				SHELF LIGHTS -- PER ROW								MAX. LIGHTING (5 ROWS)	
		AMPS		WATTS		AMPS				WATTS				AMPS	WATTS
		1	2	1	2	1	2	3	4	1	2	3	4		
N5DSC4	4'	0.35	0.50	42.0	60.0	0.45	0.60	0.80	0.95	54.0	72.0	96.0	114.0	1.86	232.2
N5DSD6	6'	0.40	0.75	48.0	90.0	0.60	0.90	1.20	1.50	72.0	108.0	144.0	180.0	2.48	297.6

* Standard lighting for this case is 2 rows of T-8 canopy lights.

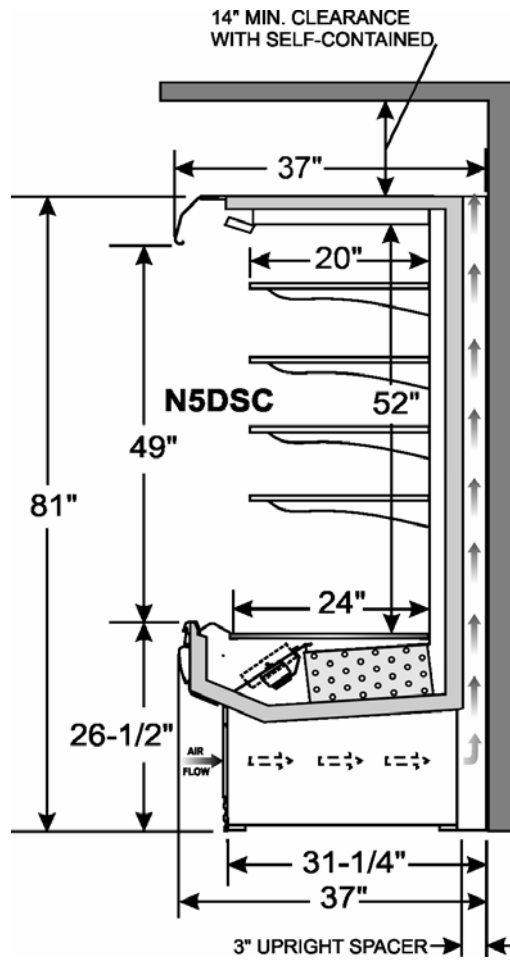
SHELVING NOTES: You MUST USE all 20" deep shelves (3 rows minimum or 4 rows maximum). The top row MUST HAVE a rear gasket. TYLER recommends that this case be merchandised on straight shelves, not sloped downward.

UL SANITATION approved in accordance with ANSI/NSF - 7.

CASE BTUH REQUIREMENTS are calculated to produce approximately the indicated entering-air temperature with absolute maximum operating ambient limits of **75°F & 55RH**.

The information contained herein is based on technical analysis and/or tests performed in a controlled lab environment that are consistent with industry practices, and is intended as a reference for system sizing and configuration purposes only and for use by persons having technical skill at their own discretion and risk. Conditions of use are outside of Tyler's control and we do not assume and hereby disclaim any liability for results obtained or damages incurred through application of or reliance on the data presented, including but not limited to specific energy consumption with any particular model or installed application. SPECIFICATIONS ARE SUBJECT TO CHANGE WITHOUT NOTICE.

N5DSC CROSS SECTION



N5DSC FLOOR PLAN

