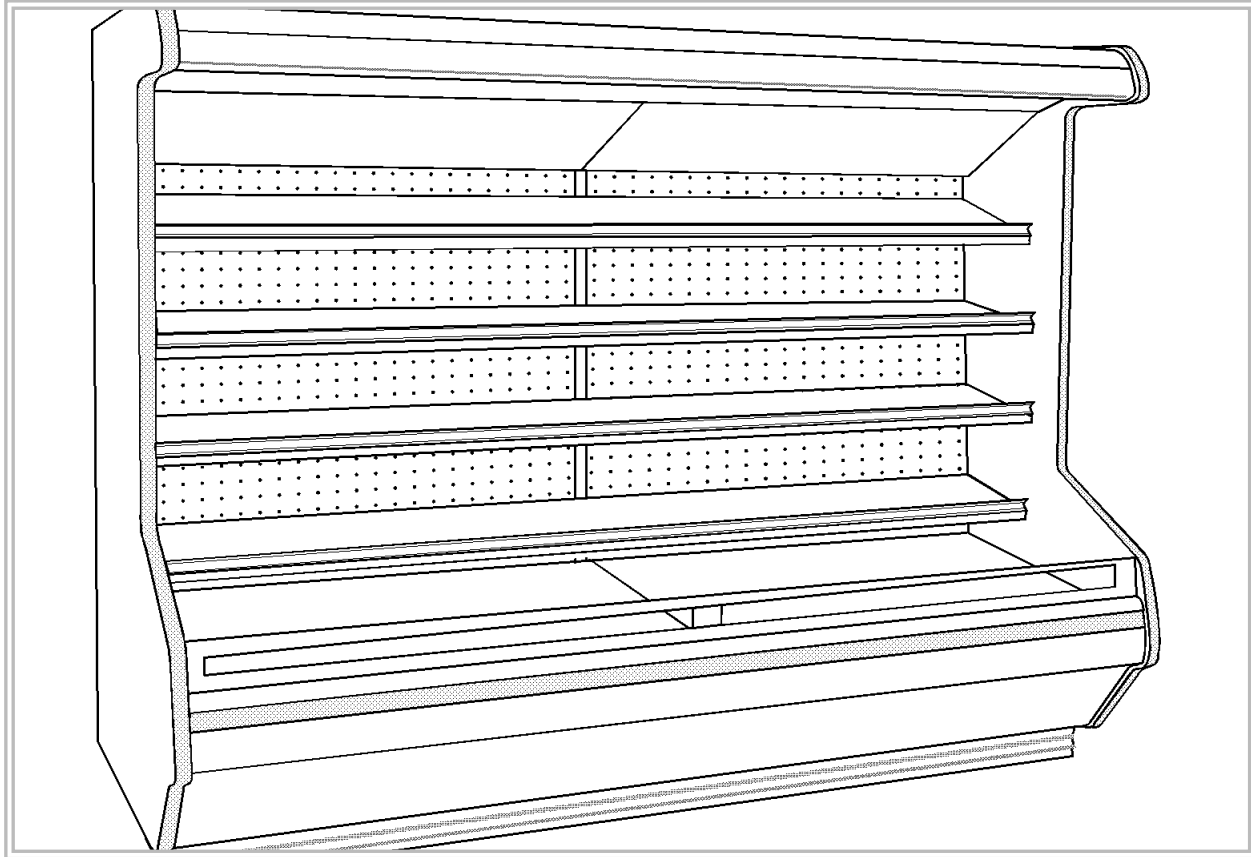


Replacement Parts ^{series} Advantage



Multi-Shelf Meat/Deli Merchandiser

Production began December 8, 2000

9000586	N5MG8	Med-Temp	8' 5-Deck Meat/Deli Merchandiser w/Glass
9000587	N5MG12	Med-Temp	12' 5-Deck Meat/Deli Merchandiser w/Glass

N5MG



Issue date: February 2001

Replaces issue:

Part number: 9037195

Revision:

Tyler Refrigeration Corporation Niles, MI 49120
Parts information subject to change without notice
Printed in U.S.A.



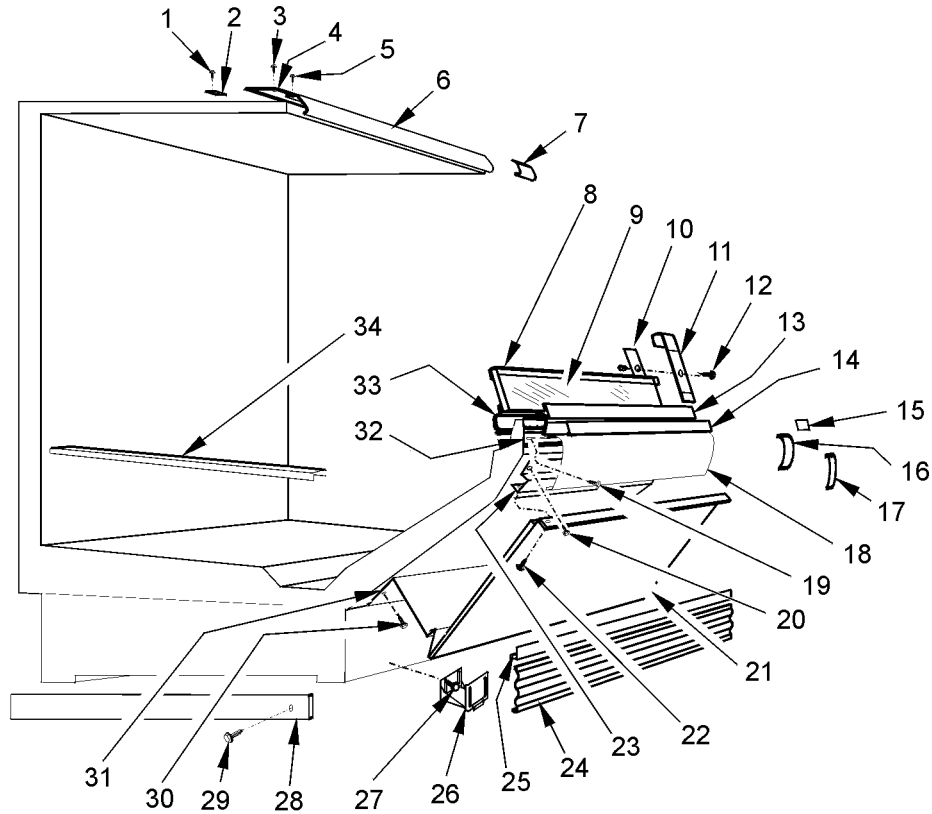
CONTENTS

	<u>Page</u>
Cladding, Covers and Trims	C1-C3
Structural Components	
Top Shelf	S1
Canopy Light	S2
Ducts and Panels	S3
Patch Ends, Partitions and Dividers	
Solid Patch Ends	S4-S6
1" Solid Divider with Plexiglas Insert	S7
Floating Plexiglas Divider	S8
Electrical System Components	
Wiring Harnesses	
Wiring and Components	E1
Fan Systems	E2
Optional Canopy Lights	
1-Row 800MA Light	E3
2-Row 800MA Light	E4
Refrigeration System Components	
Coil Assemblies	R1
Electric Defrost	R2
Optional Hot Gas Defrost	R3
Optional & Standard Case Accessories	
Shelf Assemblies	A1, A2
Screens, Dividers, Fences and Trays	A3
Standard Case Thermometer	A4
Thermometers	A5



CLADDING, COVERS AND TRIMS

N5MG



8' and 12' Merchandiser

Item	Part No.	Quantity		Description	Item	Part No.	Quantity		Description
		8'	12'				8'	12'	
1	5183536	4	4	Screw	20	5183536	6	6	Screw
2	9026103	2	2	End Cover (per side)	21	9026551	1	-	Front Cladding, Ptd.
3	5183536	5	8	Screw		9026552	-	1	Front Cladding, Ptd.
4	9026069	1	-	Hood Close-off	22	5183536	10	14	Screw
	9026070	-	1	Hood Close-off	23	9026387	1	-	Upper Front Support
5	5153536	8	10	Screw		9026388	-	1	Upper Front Support
6	9025223	1	-	Canopy Hood, Ptd.	24	+	1	1	Kickplate
	9025224	-	1	Canopy Hood, Ptd.		9041790	1	1	Kickplate Backer
7	9025983	1	1	Canopy Backer, Ptd.	25	+	1	1	Kickplate Extension [OPTL]
	5199134	4	4	Screw	26	9042340	3	4	Kickplate Support
8	9026561	1	-	Top Glass Trim	27	9025833	6	8	Shoulder Screw
	9026562	-	1	Top Glass Trim	28	9027919	1	1	LH End Close-off, Ptd.
9	5161059	2	3	Thermo Glass		9027920	1	1	RH End Close-off, Ptd.
10	9026404	1	2	Glass Joint Trim	29	5048626	6	6	Screw (3 per side)
11	9026907	1	2	Glass End Trim	30	5183536	6	8	Screw
12	5222627	1	1	Binding Screw	31	9026101	1	-	Raceway
13	9026025	1	-	Front Glass Retainer		9026102	-	1	Raceway
	9026026	-	1	Front Glass Retainer	32	9025058	1	-	Glass FR Bumper Retainer
14	9020971	1	-	Color Band, Ptd.		9025061	-	1	Glass FR Bumper Retainer
	9020972	-	1	Color Band, Ptd.	33	9026549	1	-	Rear Glass Retainer
15	9025982	1	1	Color Band Backer, Ptd.		9026550	-	1	Rear Glass Retainer
16	+	1	1	Bumper Backer		5208265	7	10	Screw
17	+	1	1	Bumper End Trim	34	9025959	1	1	Horizontal Joint Trim
18	+	1	1	Bumper					
19	9025833	14	16	Shoulder Screw					

+ See pages C2 and C3 for parts breakdown per color.



CLADDING, COVERS AND TRIMS - (CONT'D)

N5MG - 8'

Bumper [Item 18]

Without Partition

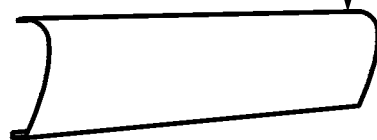
(96.062"):

Part No.	Color
9025036	White
9025067	Pearly Gates
9025266	Bone White
9025287	Misty Gray
9025308	Pearl
9025329	Oatmeal
9025350	Soft Sand
9025371	Chromium
9025392	Cool Gray
9025413	Oyster
9025434	Black
9028905	Steel Gray
9031687	Chocolate
9031724	Mocha
9031761	Stone

With Partition

(97.062"):

Part No.
9027179
9301745
9027180
9027181
9027182
9027183
9027184
9027185
9027186
9027187
9027188
9028907
9031689
9031726
9031763

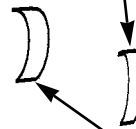


Bumper End Trim [Item 17]

Part No.

Color

9028010	White
9028011	Bone White
9028012	Misty Gray
9028013	Pearl
9028014	Oatmeal
9028015	Soft Sand
9028016	Chromium
9028017	Cool Gray
9028018	Oyster
9028019	Black
9028880	Steel Gray
9029346	Pearly Gates
9034330	Chocolate
9034331	Mocha
9034332	Stone



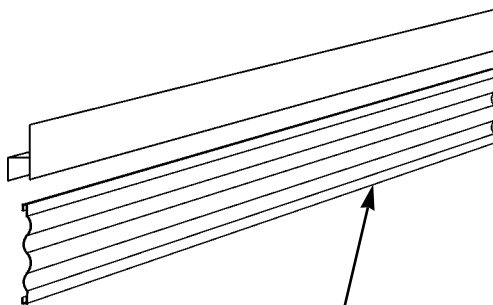
9023195	RH Bmpr Pusher Brkt
9028082	LH Bmpr Pusher Brkt
5053985	Screw (2 per brkt)

Bumper Backer [Item 16]

Part No.

Color

9025023	White
9025028	Bone White
9025035	Misty Gray
9025038	Pearl
9025041	Oatmeal
9025079	Pearly Gates
9025253	Soft Sand
9025258	Chromium
9025265	Cool Gray
9025268	Oyster
9025271	Black
9028883	Steel Gray
9031884	Chocolate
9031885	Mocha
9031886	Stone



Optional Kickplate Extension [Item 25]

Without Partition

(96.063")

Part No.	Color
9042868	Cool Gray
9042869	Black
9042870	Pearl
9042871	Steel Gray

With Partition

(97.063")

Part No.
9042876
9042877
9042878
9042879

Kickplate [Item 24]

Without Partition

(96.063")

Part No.	Color
9041690	Cool Gray
9041691	Black
9041692	Pearl
9041694	Steel Gray

With Partition

(97.063")

Part No.
9041700
9041701
9041702
9041704



CLADDING, COVERS AND TRIMS - (CONT'D)

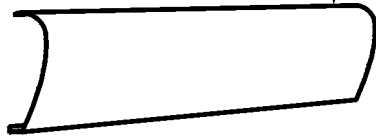
N5MG - 12'

Bumper [Item 18]
Without Partition
(144.062"):

Part No.	Color
9025039	White
9025068	Pearly Gates
9025269	Bone White
9025290	Misty Gray
9025311	Pearl
9025332	Oatmeal
9025353	Soft Sand
9025374	Chromium
9025395	Cool Gray
9025416	Oyster
9025437	Black
9028912	Steel Gray
9031695	Chocolate
9031732	Mocha
9031769	Stone

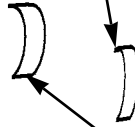
With Partition
(145.062"):

Part No.
9027199
9301747
9027200
9027201
9027202
9027203
9027204
9027205
9027206
9027207
9027208
9028914
9031697
9031734
9031771



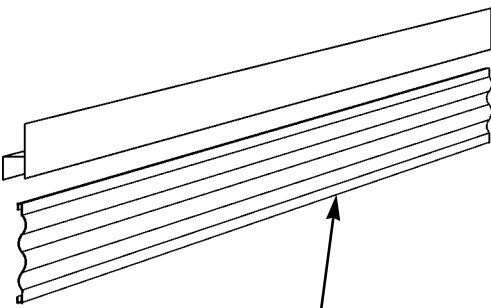
Bumper End Trim [Item 17]

Part No.	Color
9028010	White
9028011	Bone White
9028012	Misty Gray
9028013	Pearl
9028014	Oatmeal
9028015	Soft Sand
9028016	Chromium
9028017	Cool Gray
9028018	Oyster
9028019	Black
9028880	Steel Gray
9029346	Pearly Gates
9034330	Chocolate
9034331	Mocha
9031332	Stone
9023195	RH Bmpr Pusher Brkt
9028082	LH Bmpr Pusher Brkt
5053985	Screw (2 per brkt)



Bumper Backer [Item 16]

Part No.	Color
9025023	White
9025028	Bone White
9025035	Misty Gray
9025038	Pearl
9025041	Oatmeal
9025079	Pearly Gates
9025253	Soft Sand
9025258	Chromium
9025265	Cool Gray
9025268	Oyster
9025271	Black
9028883	Steel Gray
9031884	Chocolate
9031885	Mocha
9031886	Stone



Kickplate [Item 24]
Without Partition
(144.063")

Part No.	Color
9041730	Cool Gray
9041731	Black
9041732	Pearl
9041734	Steel Gray

With Partition
(145.063")

Part No.
9041740
9041741
9041742
9041744

Optional Kickplate Extension [Item 25]

Without Partition
(144.063")

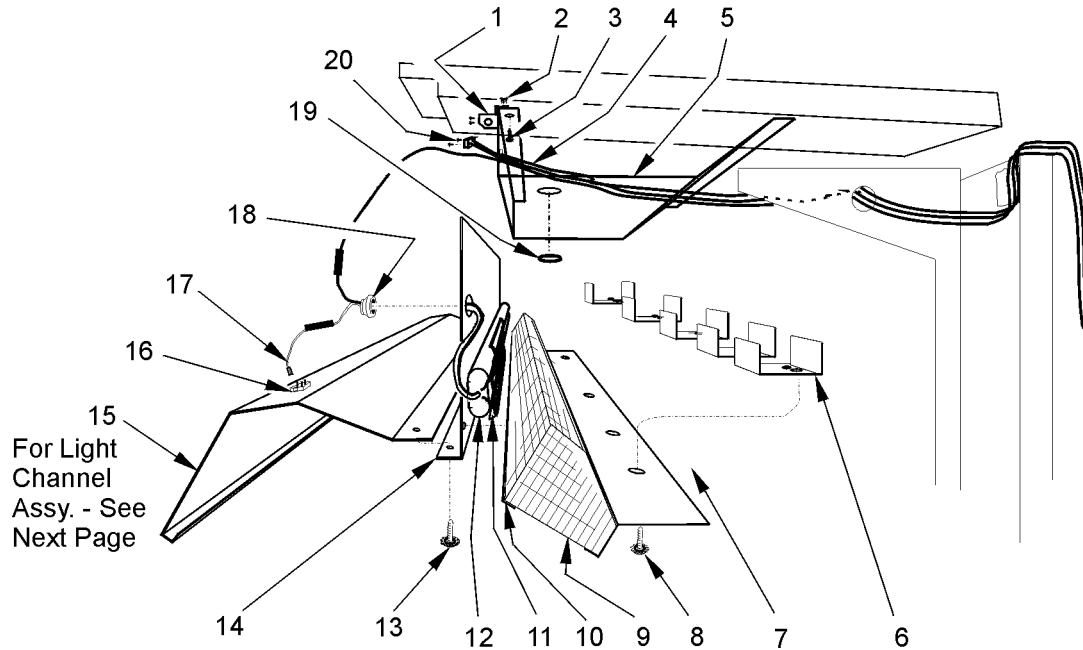
Part No.	Color
9042896	Cool Gray
9042897	Black
9042898	Pearl
9042899	Steel Gray

With Partition
(145.063")

Part No.
9042904
9042905
9042906
9042907



STRUCTURAL COMPONENTS
TOP SHELF - N5MG



8' and 12' Merchandiser

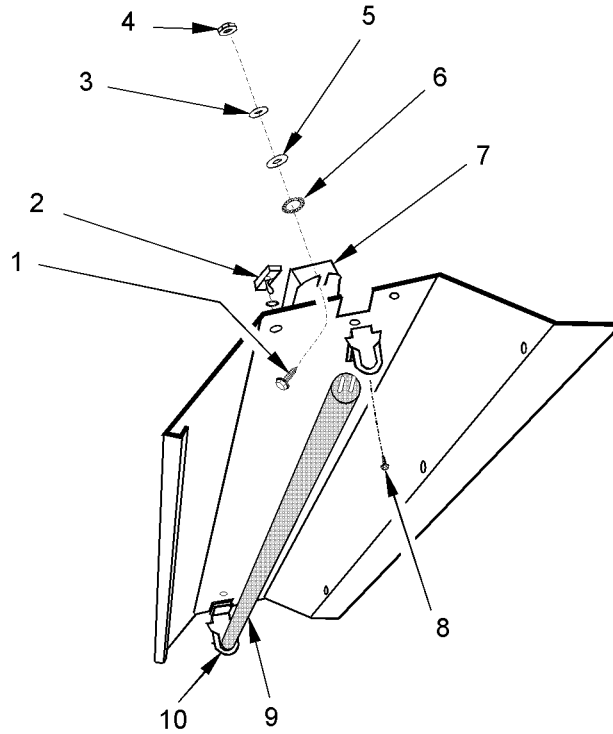
Item	Part No.	Quantity		Description	Item	Part No.	Quantity		Description	
		8'	12'				8'	12'		
1	9029374	1	1	RH Pullup Angle	11	5057259	A/R	A/R	Aluminum Tape	
	9029375	1	1	LH Pullup Angle		12	5124216	1	-	Heater Wire, 115V 60Hz
2	1309067	10	10	Screw		5124217	-	1	Heater Wire, 115V 60Hz	
	5183536	2	2	Screw		5081147	1	-	Heater Wire, 220V 50Hz	
3	5183536	5	7	Screw		5081148	-	1	Heater Wire, 220V 50Hz	
	9041309	1	1	Canopy Harness	13	5619204	13	18	Screw	
9041894	1	1	Harness Canopy Switch	14		9025997	1	-	Light Channel Support	
5	9026409	1	-	Air Squeezer		9025998	-	1	Light Channel Support	
	9026410	-	1	Air Squeezer	15	9026407	1	-	Light Channel Assembly	
6	5200164	5	7	Air Deflector Support			9026408	-	1	Light Channel Assembly
	7	9037488	1	-	Rear Air Grid Retainer Assy.	16	5100565	1	1	Toggle Switch
9037484		1	-	Grid Retainer	17		9041894	1	1	Light Switch Harness
9037490		1	-	Air Deflector	18		5102071	1	1	Strain Relief
9037489		-	1	Rear Air Grid Retainer	19		5238710	1	1	Plug Button, 2 1/2"
9037485		-	1	Grid Retainer	20		5053985	2	2	Screw
9037491		-	1	Air Deflector						
8		5100212	18	24	Screw					
9	5231397	2	3	Air Grid-WHT						
	9029118	2	3	Air Grid-BLK						
10	5231957	1	-	Front Air Grid Support						
	5231958	-	1	Front Air Grid Support						



STRUCTURAL COMPONENTS - (CONT'D)

TOP SHELF - N5MG

Canopy Light - 2 Row T8

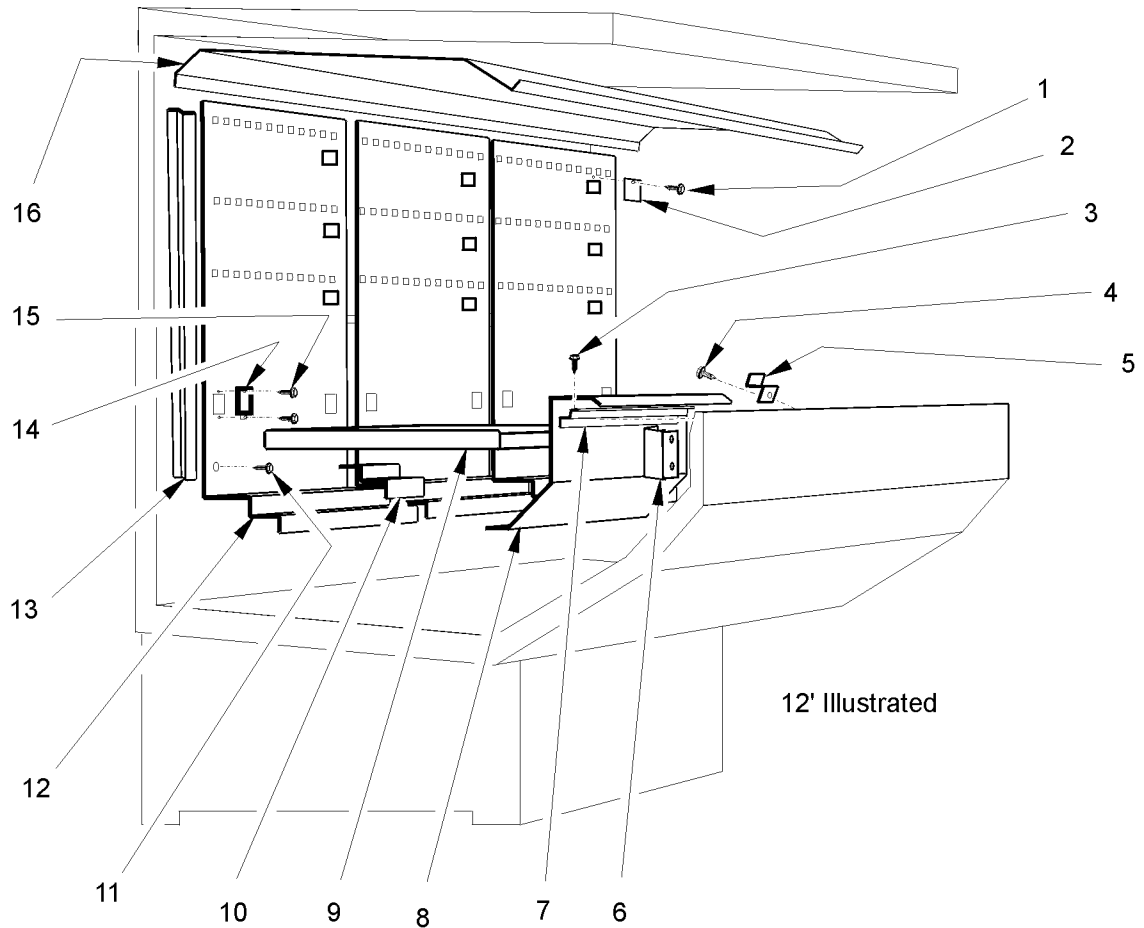


8' and 12' Merchandiser

Item	Part No.	Quantity		Description	Item	Part No.	Quantity		Description
		8'	12'				8'	12'	
1	5100379	2	2	Screw	7	5966635	1	-	T-8 Ballast, 4-Lamp 115V
2	5100565	1	1	Toggle Switch, SPST		5991030	-	2	T-8 Ballast, 3-Lamp 115V
3	5101000	2	2	Lockwasher, Shakeproof		9028439	1	-	T-8 Ballast, 4-Lamp 220V
4	5100661	2	2	Nut		9028438	-	2	T-8 Ballast, 3-Lamp 220V
5	5100973	2	2	Flatwasher	8	5214107	8	12	Screw
6	5103997	2	2	Lockwasher-Shakeproof	9	----	4	6	Lamp, T-8
					10	9041897	8	12	Lampholder
						5981627	8	12	Lampholder Cap



STRUCTURAL COMPONENTS - (CONT'D)
 DUCTS AND PANELS - N5MG

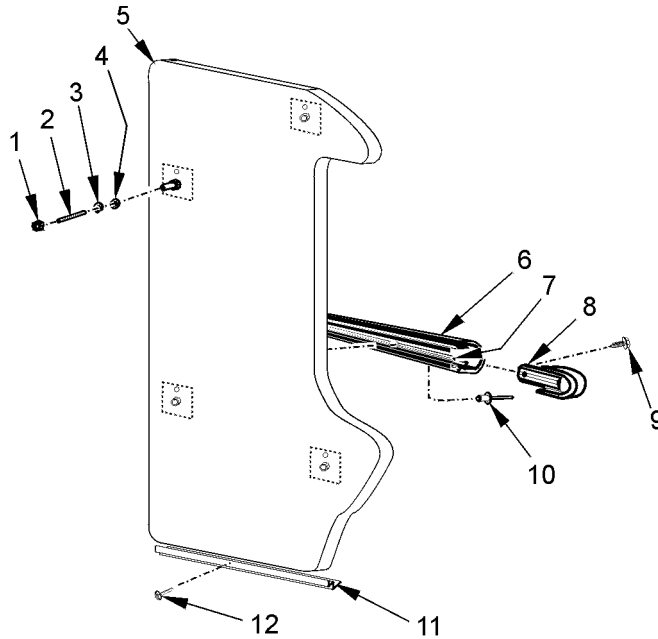


8' and 12' Merchandiser

Item	Part No.	Quantity		Description	Item	Part No.	Quantity		Description
		8'	12'				8'	12'	
1	5048626	8	12	Screw (1 per cover)	10	5231933	1	2	Lower Duct Joint Trim
2	9026091	8	12	Outlet Cover		5048626	2	4	Screw (2 per trim)
3	5183536	24	34	Screw	11	5048626	20	30	Screw (10 per duct)
4	5183536	6	9	Rivet (3 per clip)	12	5233445	2	3	Rear Duct
5	9023182	2	3	Front Duct Clip	13	5964221	2	3	Rear Z-Bar
6	5199785	6	9	Front Z-Bar		5964159	1	2	Center Upright Weld Assy.
	1309067	12	18	Screw (2 per Z-bar)		1309067	9	15	Screw (3 per z-bar or assy.)
7	5964225	1	-	Foam Cover	14	5646033	4	6	Access Cover
	5964226	-	1	Foam Cover	15	5048626	8	12	Screw (2 per cover)
8	9030510	2	3	Front Duct	16	9037486	1	-	Top Duct
	5204628	2	2	Front Duct Pullup		9037487	-	1	Top Duct
				Hole Cover		5048626	10	14	Screw
	5048626	4	8	Screw (2 per cover)					
9	5200111	4	6	Bottom Tray					



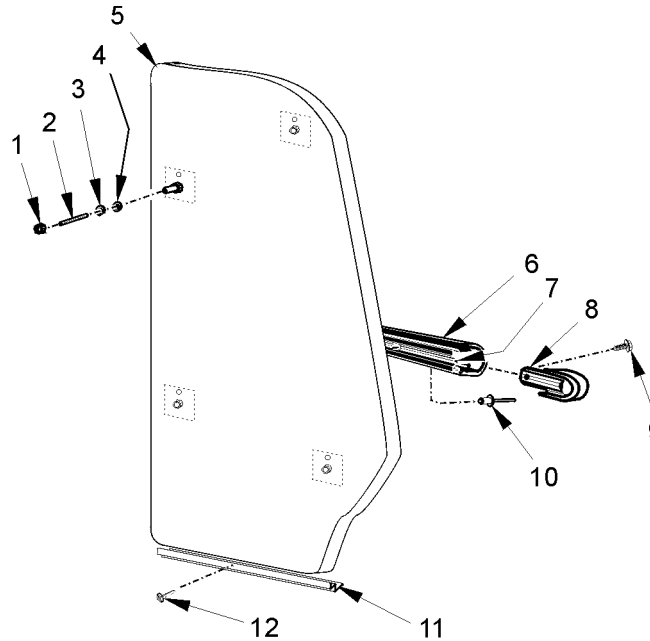
STRUCTURAL COMPONENTS - (CONT'D)
 PATCH ENDS, PARTITIONS AND DIVIDERS
 Solid Patch End, Contoured - N5MG



Item	Part No.	Qty.	Description	Item	Part No.	Qty.	Description
1	5100625	4	Nut, 5/16"-18	6	9027973	1	1" End Bumper, Cool Gray - 33"
2	9022756	4	Stud, 5/16"-18 x 3"		9027974	1	1" End Bumper, Black - 33"
3	5101003	4	Lockwasher		9027975	1	1" End Bumper, Pearl - 33"
4	5100976	4	Washer		9029311	1	1" End Bumper, Pearly Gates - 33"
	9022759	4	Stud		9023460	1	1" End Bumper, Cool Gray - 39"
	9022760	4	Tapping Plate		9023461	1	1" End Bumper, Black - 39"
5	9021174	1	RH Contoured End Assy., Ptd. w/Ptd. Liner		9023462	1	1" End Bumper, Pearl - 39"
	9021175	1	LH Contoured End Assy., Ptd. w/Ptd. Liner		9023459	1	1" End Bumper, Pearly Gates - 39"
	9021176	1	RH Contoured End Assy., Ptd. w/BRT SS Liner	7	9027882	1	Mounting Retainer - 35"
	9021177	1	LH Contoured End Assy., Ptd. w/BRT SS Liner		9023453	1	Mounting Retainer - 41"
	9024465	1	RH Bench Assy., Ptd. w/Ptd. Liner	8	9027743	4	End Cap, Cool Gray
	9024466	1	LH Bench Assy., Ptd. w/Ptd. Liner		9027744	4	End Cap, Black
	9024467	1	RH Bench Assy., Ptd. w/BRT SS Liner		9027742	4	End Cap, Pearl
	9024468	1	LH Bench Assy., Ptd. w/BRT SS Liner		9026528	4	End Cap, Pearly Gates
					9310881	4	End Cap, Steel Gray
				9	5183536	4	Screw
				10	5104702	17	Rivet
				11	9301372	1	End Protector Plate
					5186737	A/R	Foam Gasket
				12	1309067	3	Screw



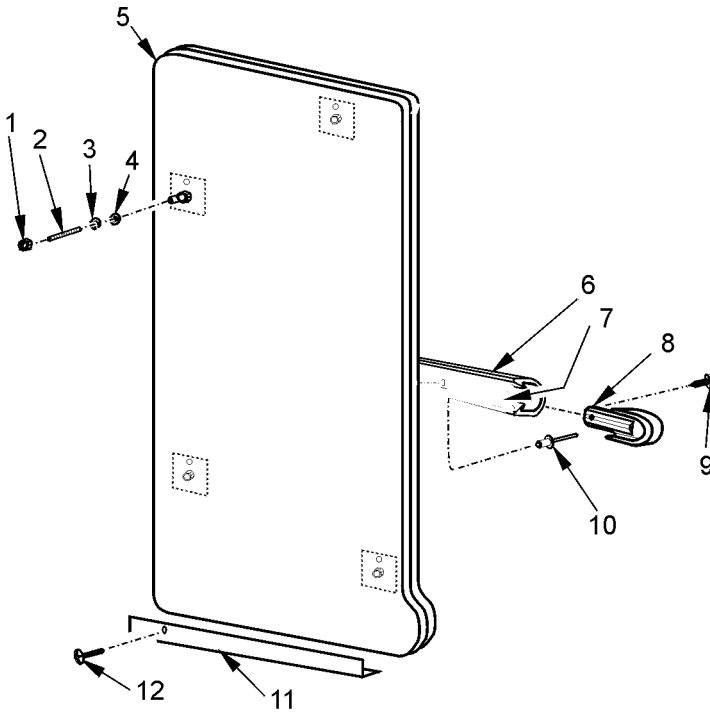
STRUCTURAL COMPONENTS - (CONT'D)
 PATCH ENDS, PARTITIONS AND DIVIDERS
 Solid Patch End, Tapered - N5MG



Item	Part No.	Qty.	Description	Item	Part No.	Qty.	Description
1	5100625	4	Nut, 5/16"-18	6	9027973	1	1" End Bumper, Cool Gray - 33"
2	9022756	4	Stud, 5/16"-18 x 3"		9027974	1	1" End Bumper, Black - 33"
3	5101003	4	Lockwasher		9027975	1	1" End Bumper, Pearl - 33"
4	5100976	4	Washer		9029311	1	1" End Bumper, Pearly Gates - 33"
	9022759	4	Stud		9023460	1	1" End Bumper, Cool Gray - 39"
	9022760	4	Tapping Plate		9023461	1	1" End Bumper, Black - 39"
5	9021190	1	RH Tapered End Assy., Ptd. w/Ptd. Liner		9023462	1	1" End Bumper, Pearl - 39"
	9021191	1	LH Tapered End Assy., Ptd. w/Ptd. Liner		9023459	1	1" End Bumper, Pearly Gates - 39"
	9021192	1	RH Tapered End Assy., Ptd. w/BRT SS Liner	7	9027882	1	Mounting Retainer - 35"
	9021193	1	LH Tapered End Assy., Ptd. w/BRT SS Liner		9023453	1	Mounting Retainer - 41"
	9024473	1	RH Bench Assy., Ptd. w/Ptd. Liner	8	9027743	4	End Cap, Cool Gray
	9024474	1	LH Bench Assy., Ptd. w/Ptd. Liner		9027744	4	End Cap, Black
	9024475	1	RH Bench Assy., Ptd. w/BRT SS Liner		9027742	4	End Cap, Pearl
	9024476	1	LH Bench Assy., Ptd. w/BRT SS Liner		9026528	4	End Cap, Pearly Gates
					9310881	4	End Cap, Steel Gray
				9	5183536	4	Screw
				10	5104702	17	Rivet
				11	9301372	1	End Protector Plate
					5186737	A/R	Foam Gasket
				12	1309067	3	Screw



STRUCTURAL COMPONENTS - (CONT'D)
PATCH ENDS, PARTITIONS AND DIVIDERS
Solid Patch End, Boxed - N5MG



Item	Part No.	Qty.	Description
	9024469	1	RH Bench Assy., Ptd. w/Ptd. Liner
	9024470	1	LH Bench Assy., Ptd. w/Ptd. Liner
	9024471	1	RH Bench Assy., Ptd. w/BRT SS Liner
	9024472	1	LH Bench Assy., Ptd. w/BRT SS Liner
	9024473	1	RH Bench Assy., Ptd. w/Ptd. Liner & Mirror
	9024474	1	LH Bench Assy., Ptd. w/Ptd. Liner & Mirror
	9024475	1	RH Bench Assy., Ptd. w/BRT SS Liner & Mirror
	9024476	1	LH Bench Assy., Ptd. w/BRT SS Liner & Mirror
6	9023460	2	1" End Bumper, Cool Gray - 39"
	9023461	2	1" End Bumper, Black - 39"
	9023462	2	1" End Bumper, Pearl - 39"
	9023459	2	1" End Bumper, Pearly Gates - 39"
	9310876	2	1" End Bumper, Steel Gray - 39"
7	9023453	2	Mounting Retainer - 41"
8	9027743	4	End Cap, Cool Gray
	9027744	4	End Cap, Black
	9027742	4	End Cap, Pearl
	9026528	4	End Cap, Pearly Gates
	9310881	4	End Cap, Steel Gray
9	5183536	4	Screw
10	5104702	17	Rivet
11	9301372	1	End Protector Plate
	5186737	A/R	Foam Gasket
12	1309067	3	Screw

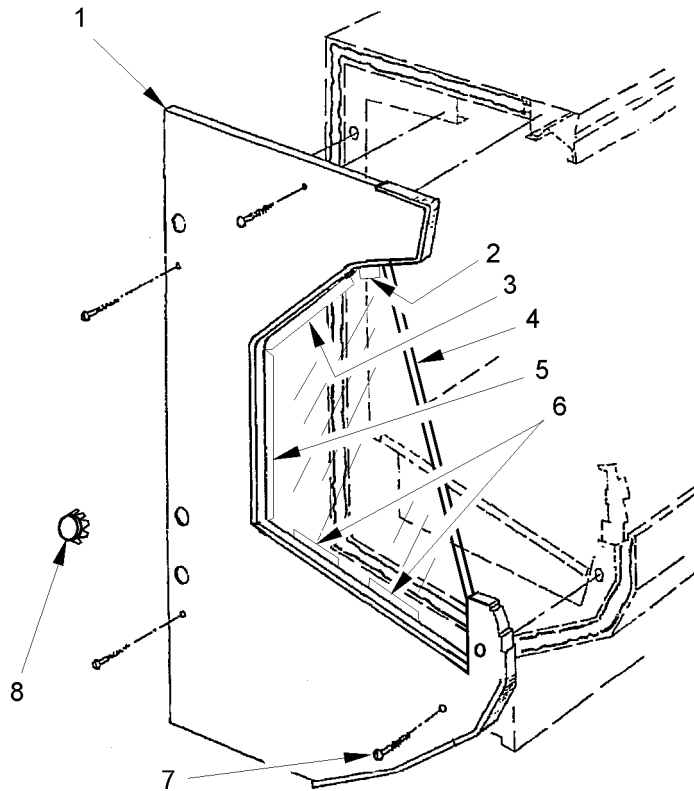
Item	Part No.	Qty.	Description
1	5100625	4	Nut, 5/16"-18
2	9022756	4	Stud, 5/16"-18 x 3"
3	5101003	4	Lockwasher
4	5100976	4	Washer
	9022759	4	Stud
	9022760	4	Tapping Plate
5	9021182	1	RH Boxed End Assy., Ptd. w/Ptd. Liner
	9021183	1	LH Boxed End Assy., Ptd. w/Ptd. Liner
	9021184	1	RH Boxed End Assy., Ptd. w/BRT SS Liner
	9021185	1	LH Boxed End Assy., Ptd. w/BRT SS Liner
	9021186	1	RH Boxed End Assy., Ptd. w/Ptd. Liner & Mirror
	9021187	1	LH Boxed End Assy., Ptd. w/Ptd. Liner & Mirror
	9021188	1	RH Boxed End Assy., Ptd. w/BRT SS Liner & Mirror
	9021189	1	LH Boxed End Assy., Ptd. w/BRT SS Liner & Mirror

Optional Mirror Components not illustrated.

-	9030018	1	Mirror Pan
-	9027796	1	Mirror, 46 15/16" x 31 7/8"
-	9030152	1	RH Mirror Top & Bottom End Trim, BRT SS
-	9030153	1	LH Mirror Top & Bottom End Trim, BRT SS
-	9030019	1	Mirror Front Vertical End Trim, BRT SS
-	5104702	30	Rivet



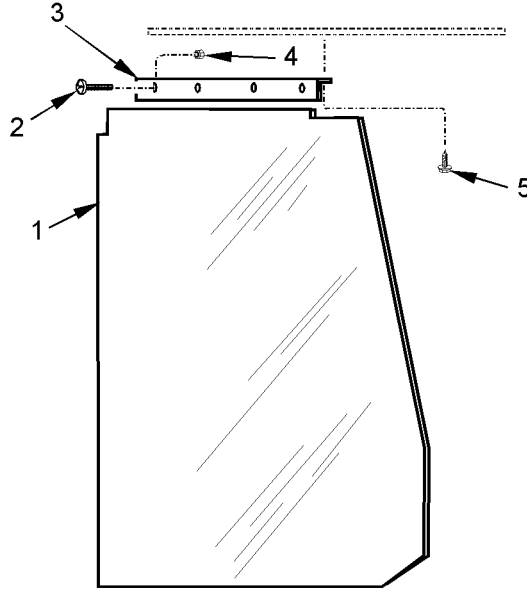
STRUCTURAL COMPONENTS - (CONT'D)
 PATCH ENDS, PARTITIONS AND DIVIDERS
 1" Solid Partition w/Plexiglas Insert - N5MG



Item	Part No.	Qty.	Description
*	9022410	1	Solid Partition w/ Plexiglas Insert Assembly
1	9028717	1	Solid Partition Bench Assy.
	9030344	1	RH Panel, Ptd.
	9030345	1	LH Panel, Ptd.
	9030348	1	CTR Rail Trim, Ptd.
	9030346	1	Core
	9027654	7'	Edge Trim, Cool Gray
2	9030351	2	Plexiglas Retainer, 5"
	9022477	2	Fastex Fastener
3	9030350	1	Plexiglas Retainer, 24"
	9022477	4	Fastex Fastener
4	5247068	1	Plexiglas Insert
5	9030350	1	Plexiglas Retainer, 24"
	9022477	4	Fastex Fastener
6	9023379	2	Plexiglas Retainer, Bottom
	5619204	6	Screw (retainer to core)
	5111242	6	Screw (plexiglas to retainer)
	5100650	6	Nut (plexiglas to retainer)
7	5111030	4	Screw
8	5105873	2	Plug Button, 1 1/8"



STRUCTURAL COMPONENTS - (CONT'D)
PATCH ENDS, PARTITIONS AND DIVIDERS
Floating Plexiglas Divider - N5MG



Item	Part No.	Qty.	Description
*	5239700	1	Floating Plexiglas Divider Assembly
1	5239697	1	Plexiglas Partition
2	5111242	4	Screw
3	5946095	1	Top Plexiglas Retainer
4	5100650	4	Nut
5	5183536	4	Screw

The following air close-off components are not illustrated:

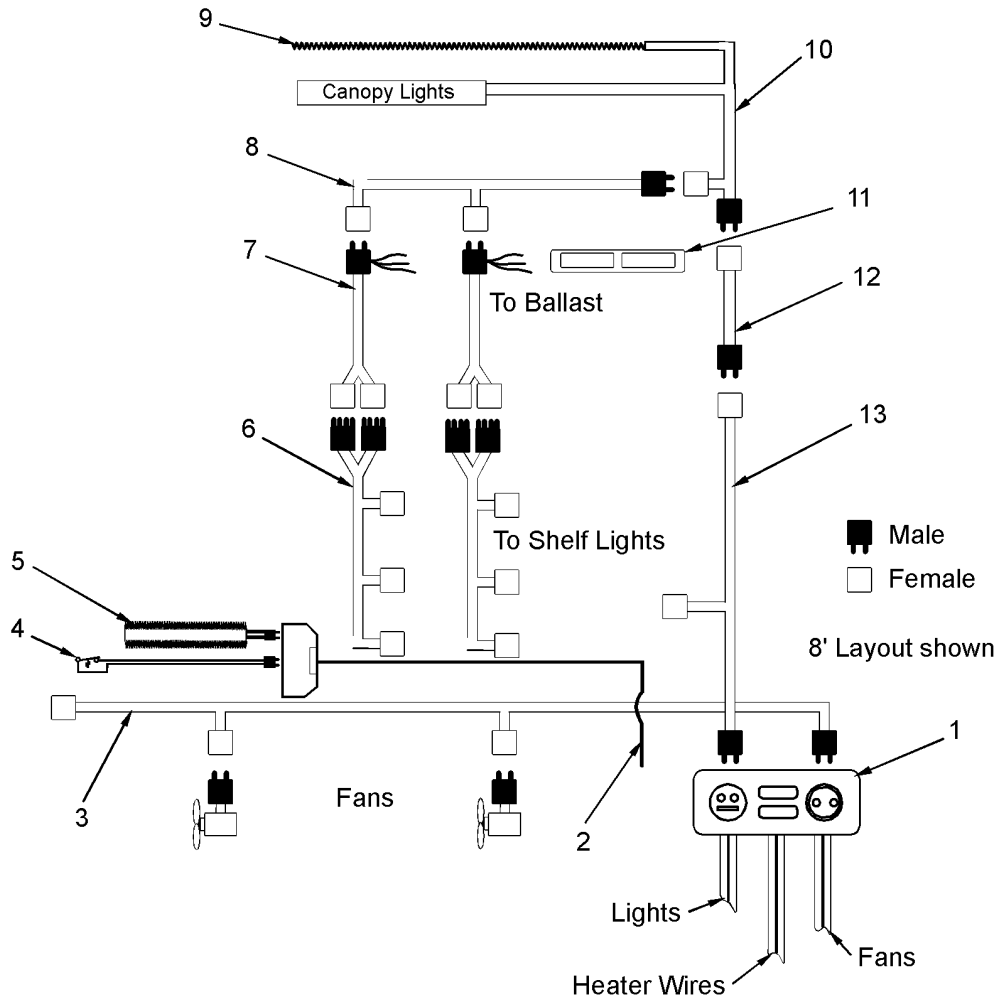
-	5239698	1	RH Air Close-off
-	5239699	1	LH Air Close-off
-	5145036	5	Screw (for close-off's)



ELECTRICAL SYSTEM COMPONENTS

WIRING HARNESSSES - N5MG

Wiring and Components

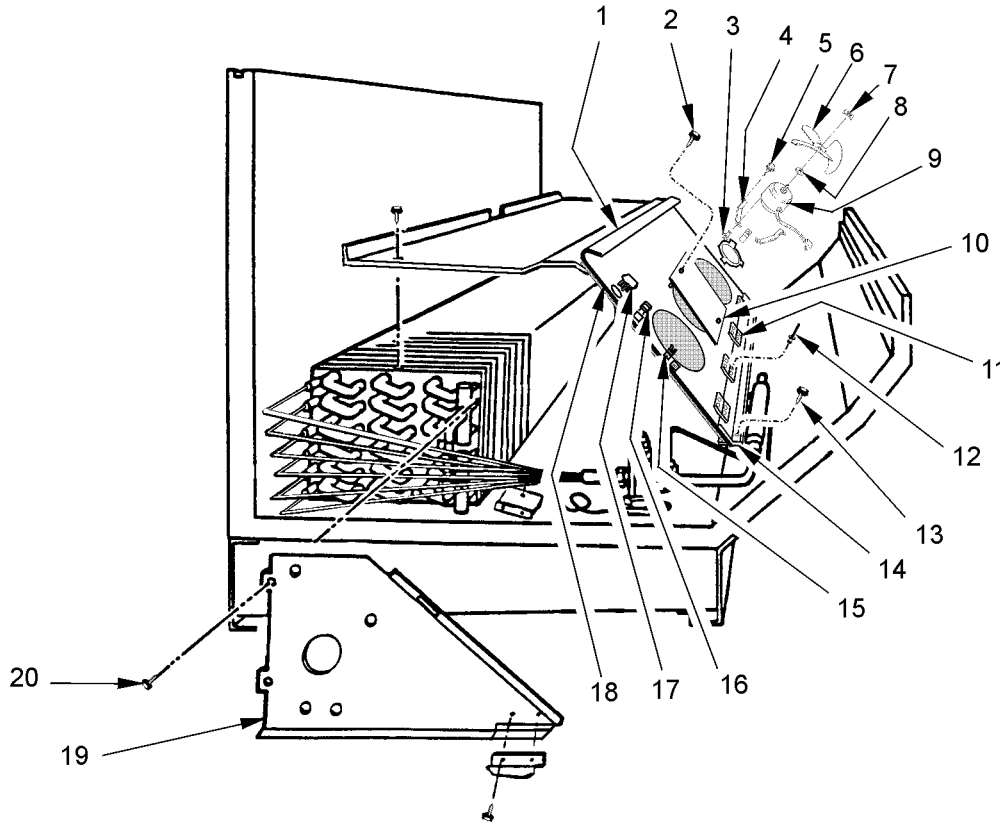


8' and 12' Merchandiser

Item	Part No.	Quantity		Description	Item	Part No.	Quantity		Description
		8'	12'				8'	12'	
1	9041307	1	1	120V Input Harness	*	9026428	1	1	T-8 Shelf Ballast Assy, 115V
2	5625360	1	1	220V Input Harness		5966635	2	2	T-8 Ballast, 4-Lamp 115V
3	5211558	1	-	Fan Harness		9028439	2	2	T-8 Ballast, 4-Lamp 220V
	5211559	-	1	Fan Harness		9025999	2	2	Bracket
4	5125211	1	1	Klixon Thermostat		5100379	4	4	Screw
5	5124521	1	-	Defrost Heater		5100661	4	4	Nut
	5124522	-	1	Defrost Heater		5100970	4	4	Washer
6	9025917	2	3	Rear Duct Harness, WHT		5101000	4	4	Lockwasher
	9028122	2	3	Rear Duct Harness, BLK		5103997	4	4	Lockwasher, Ext. Tooth
7	9025919	2	3	Top Duct Harness	12	5210919	1	1	Canopy Harness
8	9026529	1	2	Shelf Power Feed Harness	13	9041308	1	1	Light Supply Harness
9	5124216	1	-	Heater Wire, Discharge Grid	Hot Gas Options				
	5124217	-	1	Heater Wire, Discharge Grid		5224113	1	1	Fan Delay Harness
10	9041309	1	1	Light Switch Harness		9023503	1	1	Klixon Thermostat, Fan Delay 50/40
11	5966635	2	2	T-8 Ballast, 4-Lamp - Canopy		9023508	1	1	Thermostat, Defrost Termination 55/40
	9028439	2	2	T-8 Ballast, 4-Lamp - Canopy 220V					
*	9026430	1	1	T-8 Shelf Ballast Assy, 115V					



ELECTRICAL SYSTEM COMPONENTS - (CONT'D)
 FAN SYSTEMS - N5MG

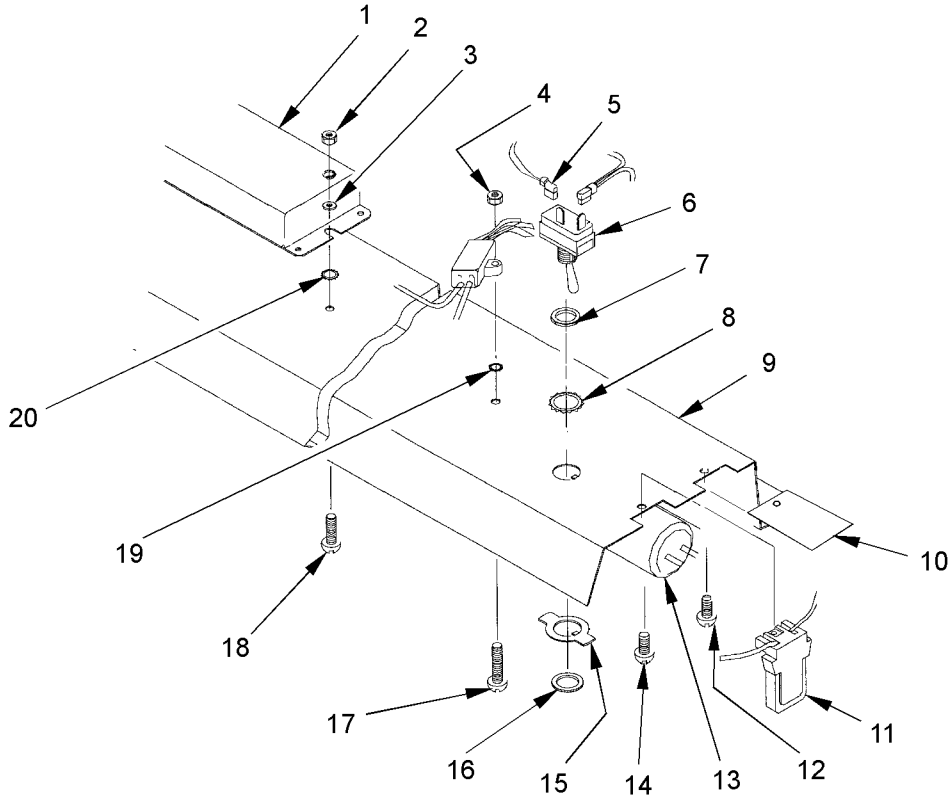


8' and 12' Merchandiser

Item	Part No.	Quantity		Description	Item	Part No.	Quantity		Description
		8'	12'				8'	12'	
1	5236794	1	-	Fan Panel	11	5186058	4	6	Hinge
	5236795	-	1	Fan Panel	12	5104702	16	24	Rivet
2	5183536	2	-	Screw	13	5183536	2	2	Screw
3	-----	6	9	Screw (3 per motor)	14	5236971	1	-	Bottom Fan Panel Retainer
	9041077	2	3	Fan Bracket MTG Plate		5236972	-	1	Bottom Fan Panel Retainer
4	5235087	6	9	Bracket (3 per 115V motor)	15	5206177	2	3	Fan Clip
	5205112	6	9	Bracket (3 per 220V motor)		5183536	2	3	Screw
5	5224128	6	9	Screw (3 per motor)		5211558	1	-	Fan Harness
6	-----	2	3	Clip (furn. w/ motor)		5211559	-	1	Fan Harness
7	5984399	2	3	Fan Blade, 8.75" 25° 5B	16	5149769	1	1	Dummy Plug
8	-----	2	3	Washer (furn. w/ motor)	17	5185321	2	2	Q4 Fastener
9	5243498	2	3	Fan Motor, 9W, 115V - 60Hz	18	5107190	A/R	A/R	Ethofoam Gasket
	5223696	2	3	Fan Motor, ESP, 220V - 50Hz	19	5236789	1	1	LH Fan Panel Close-off
	9025000	2	3	Opt. ECM Fan Motor, 12W		5236788	1	1	RH Fan Panel Close-off
10	5186435	1	-	Access Cover	20	5183536	2	2	Screw



ELECTRICAL SYSTEM COMPONENTS - (CONT'D)
 OPTIONAL CANOPY LIGHTS - N5MG
 1-Row 800MA Light

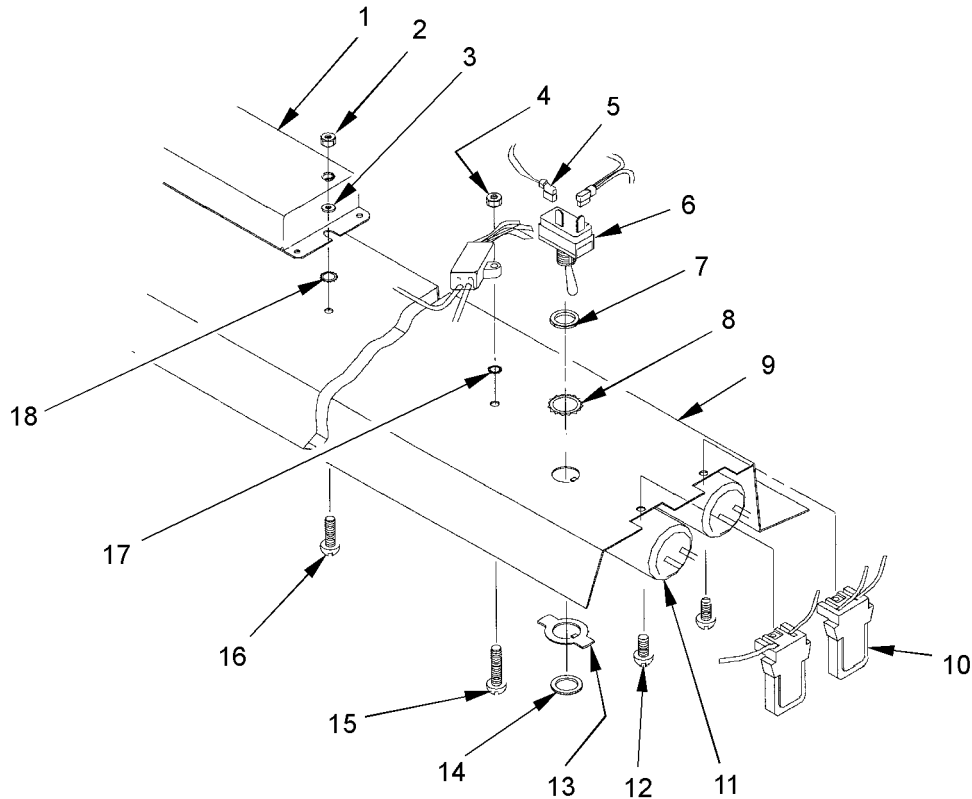


8' and 12' Merchandiser

Item	Part No.	Quantity		Description	Item	Part No.	Quantity		Description
		8'	12'				8'	12'	
*	9027749	1	-	1-Row Light Channel Assy.	10	9025994	1	1	Cover
*	9027750	-	1	1-Row Light Channel Assy.	11	5614628	1	2	Lampholder, Telescopic
1	5049140	1	1	Ballast, 2-Lamp (800MA)		5614629	1	2	Lampholder, Stationary
2	5100661	2	2	Nut	12	5619204	2	2	Screw
	5100100	2	2	Lockwasher, Shakeproof	13	----	1	2	Fluorescent Lamp, F96T12HO
3	5100973	2	2	Washer					
4	5111198	1	1	Nut	14	5214107	2	4	Screw
5	5211734	2	2	Connector, 90°	15	----	1	1	Washer (furn. w/ item 6)
	9027302	1	1	Light Switch Harness	16	----	1	1	Nut
6	5100565	1	1	Toggle Switch, SPST	17	5185153	1	1	Screw
7	----	1	1	Nut (furn. w/ item 6)	18	5100379	2	2	Screw
8	5211201	1	1	Lockwasher, Shakeproof	19	5103996	1	1	Lockwasher, Shakeproof
9	9025915	1	-	Light Channel	20	5103997	2	2	Lockwasher, Shakeproof
	9025916	-	1	Light Channel					



ELECTRICAL SYSTEM COMPONENTS - (CONT'D)
 OPTIONAL CANOPY LIGHTS - N5MG
 2-Row 800MA Light

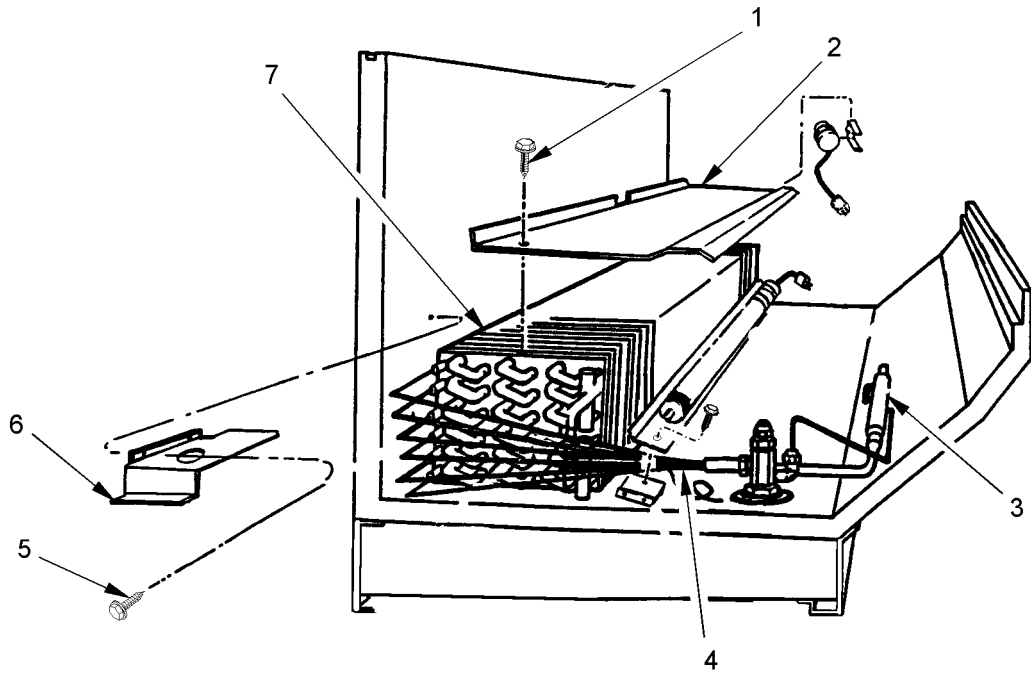


8' and 12' Merchandiser

Item	Part No.	Quantity		Description	Item	Part No.	Quantity		Description
		8'	12'				8'	12'	
*	9027751	1	-	2-Row Light Channel Assy.	9	9025915	1	-	Light Channel
*	9027752	-	1	2-Row Light Channel Assy.		9025890	-	1	Light Channel
1	5204769	1	-	Ballast, 2-Lamp (800MA)	10	5614628	2	4	Lampholder, Telescopic
	5049140	-	2	Ballast, 2-Lamp (800MA)		5614629	2	4	Lampholder, Stationary
2	5100661	2	4	Nut	11	----	2	4	Fluorescent Lamp, F96T12HO
	5100100	2	4	Lockwasher					
3	5100973	2	4	Washer	12	5214107	4	8	Screw
4	5111198	1	1	Nut	13	----	1	1	Washer (furn. w/ item 6)
5	5211734	2	2	Connector, 90°	14	----	1	1	Nut (furn. w/ item 6)
	9027302	1	1	Light Switch Harness	15	5185153	1	1	Screw
6	5100565	1	1	Toggle Switch, SPST	16	5100379	2	4	Screw
7	----	1	1	Nut (furn. w/ item 6)	17	5211201	1	1	Lockwasher, Shakeproof
8	5211201	1	1	Lockwasher, Shakeproof	18	5103997	2	4	Lockwasher



REFRIGERATION SYSTEM COMPONENTS
COIL ASSEMBLIES - N5MG

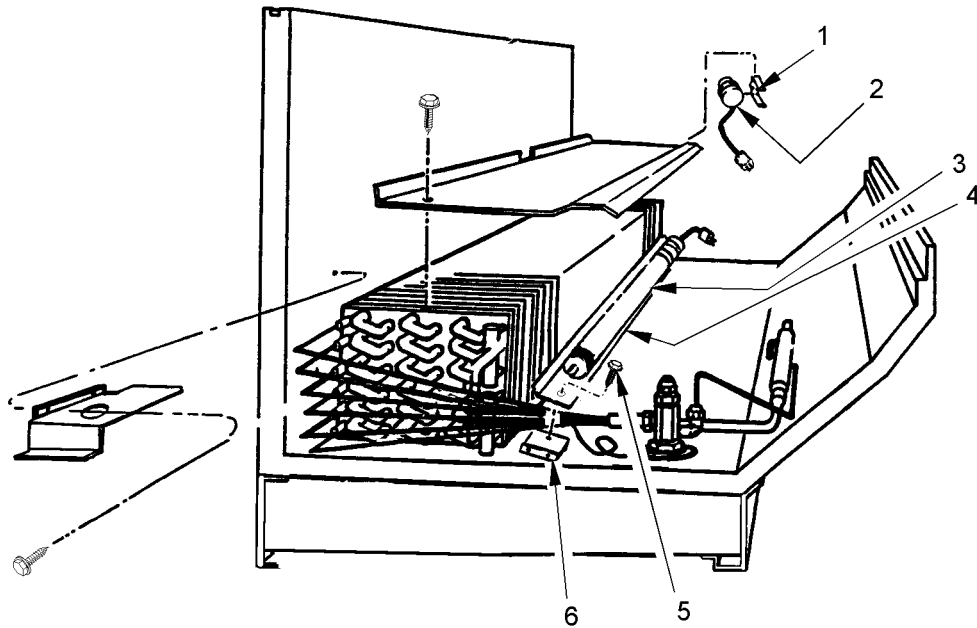


8' and 12' Merchandiser

Item	Part No.	Quantity		Description	Item	Part No.	Quantity		Description
		8'	12'				8'	12'	
1	5183536	4	4	Screw	4	5233645	1	1	Distributor Assembly
2	5236786	1	-	Top Coil Close-off		5107699	1	1	Bushing
	5236787	-	1	Top Coil Close-off	5	5183536	4	4	Screw
3	5241392	1	1	Heat Exchanger Kit	6	5233557	1	1	LH Coil Close-off
	5630401	1	1	Heat Exchanger		5964299	1	1	RH Coil Close-off
	5199097	1	1	Heat Exchanger Support	7	5241377	1	-	Coil Assembly
						5241378	-	1	Coil Assembly



REFRIGERATION SYSTEM COMPONENTS - (CONT'D)
ELECTRIC DEFROST - N5MG

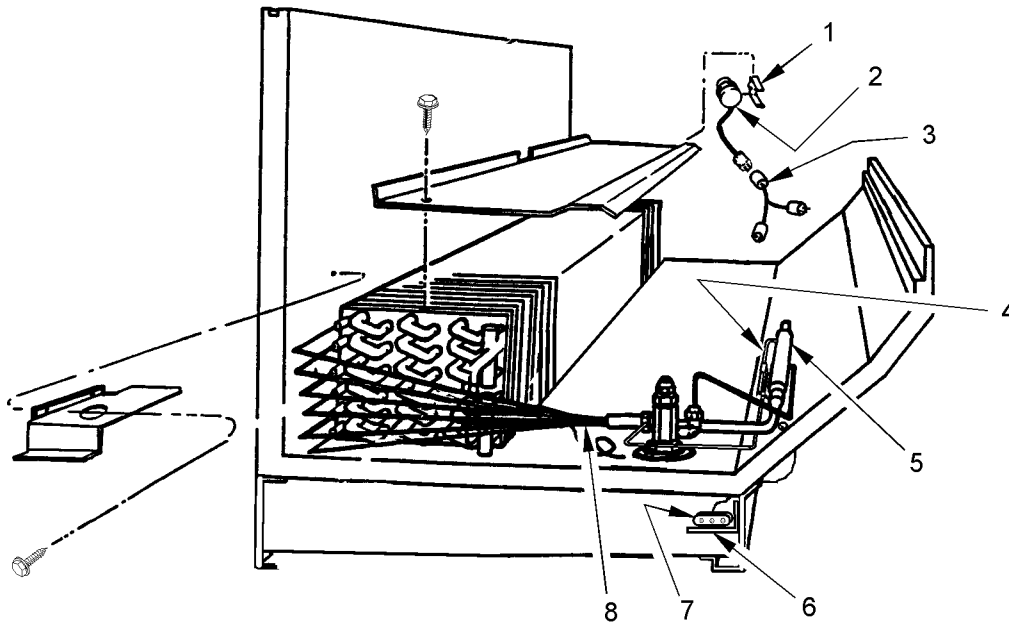


8' and 12' Merchandiser

Item	Part No.	Quantity		Description	Item	Part No.	Quantity		Description
		8'	12'				8'	12'	
1	5145098	1	1	Klixon Mounting Clip	5104952	4	4	Clip	
2	5125211	1	1	Klixon Thermostat, 50/30	5104702	4	4	Rivet	
3	5124521	1	-	Defrost Heater, 1430W	5128680	1	1	Defrost Heater Deflector	
	5124522	-	1	Defrost Heater, 2145W	5197811	4	4	Hat Channel	
4	5028056	1	-	Heater Tube Support Assy.	5	5120943	2	2	Screw
	5028057	-	1	Heater Tube Support Assy.	6	5623803	2	2	Defrost Heater Support



REFRIGERATION SYSTEM COMPONENTS - (CONT'D)
 OPTIONAL HOT GAS DEFROST - N5MG

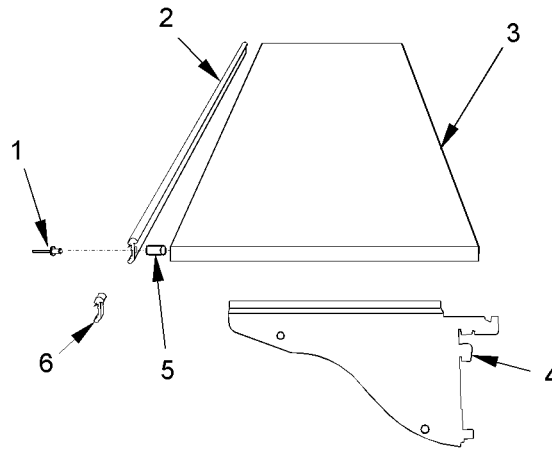


8' and 12' Merchandiser

Item	Part No.	Quantity		Description	Item	Part No.	Quantity		Description
		8'	12'				8'	12'	
1	5180826	1	1	Tie Cable	6	5200442	1	1	Thermostat Mounting Bracket
2	9023503	1	1	Klixon Thermostat, Fan Delay		5183536	2	2	Screw
3	5224113	1	1	Fan Control Jumper (for gas fan control only)	7	5237789	1	1	Defrost Termination Thermostat
4	5210805	1	1	Hot Gas Tubing Kit	8	5964407	1	1	Distributor Assembly
	5200228	1	1	Check Valve		5107699	1	1	Bushing
5	5231983	1	1	Heat Exchanger Kit	Options				
	5630401	1	1	Heat Exchanger	-	5620001	1	1	Hand Valve
	5199097	1	1	Heat Exchanger Support	-	5942194	1	1	Solenoid Valve



OPTIONAL CASE ACCESSORIES
 SHELF ASSEMBLIES - N5MG
 Optional 15" & 18" Shelves w/o Lights



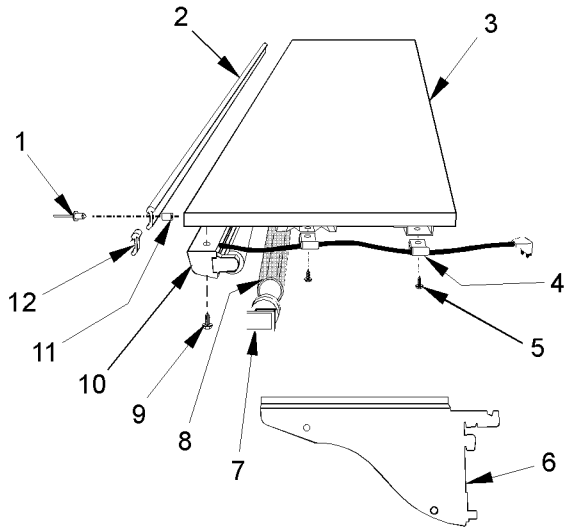
Item	Part No.	Qty.	Description	Item	Part No.	Qty.	Description
*	5619373	1	Solid Shelf Assy., 15" x 48" PTD	*	5644274	1	Shelf Bench Assy., 15" x 48" BPC
*	5955921	1	Solid Shelf Assy., 15" x 48" MB/SS	*	5184620	1	Shelf Bench Assy., 18" x 48" PTD
*	9021262	1	Solid Shelf Assy., 15" x 48" BRT/SS	*	5955917	1	Shelf Bench Assy., 18" x 48" MB/SS
*	5605593	1	Solid Shelf Assy., 15" x 48" WPC	*	5619374	1	Shelf Bench Assy., 18" x 48" BRT/SS
*	5644233	1	Solid Shelf Assy., 15" x 48" BPC	*	5605589	1	Shelf Bench Assy., 18" x 48" WPC
*	5619374	1	Solid Shelf Assy., 18" x 48" PTD	*	5644275	1	Shelf Bench Assy., 18" x 48" BPC
*	5955922	1	Solid Shelf Assy., 18" x 48" MB/SS	3	5220612	1	15" x 48" Shelf, PTD
*	5957493	1	Solid Shelf Assy., 18" x 48" BRT/SS		5950571	1	15" x 48" Shelf, MB/SS
*	5605594	1	Solid Shelf Assy., 18" x 48" WPC		5944622	1	15" x 48" Shelf, BRT/SS
*	5644234	1	Solid Shelf Assy., 18" x 48" BPC		5237745	1	15" x 48" Shelf, WPC
1	5144974	4	Rivet		5643509	1	15" x 48" Shelf, BPC
2	5236879	1	Narrow Card Molding		5220613	1	18" x 48" Shelf, PTD
*	5220638	1	Shelf Bench Assy., 15" x 48" PTD		5950572	1	18" x 48" Shelf, MB/SS
*	5955916	1	Shelf Bench Assy., 15" x 48" MB/SS		5944623	1	18" x 48" Shelf, BRT/SS
*	9027460	1	Shelf Bench Assy., 15" x 48" BRT/SS		5237746	1	18" x 48" Shelf, WPC
*	5605588	1	Shelf Bench Assy., 15" x 48" WPC	4	5643510	1	18" x 48" Shelf, BPC
					5185810	1	RH 15" Shelf Bracket, PTD
					5185811	1	LH 15" Shelf Bracket, PTD
					5088412	1	RH 18" Shelf Bracket, MB/SS
					5088413	1	LH 18" Shelf Bracket, MB/SS
				5	5127438	4	Spacer
				6	5941919	1	Card Molding Joint Trim



OPTIONAL CASE ACCESSORIES - (CONT'D)

SHELF ASSEMBLIES - N5MG

Optional 15" & 18" Shelves w/ T-8 Lights

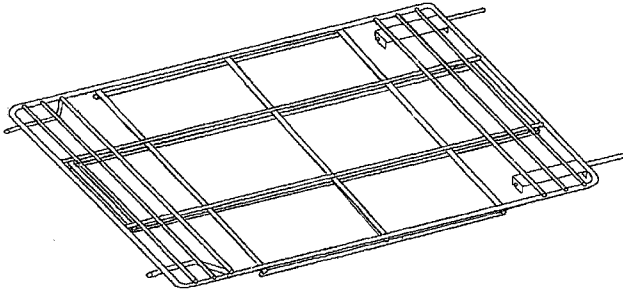


Item	Part No.	Qty.	Description
*	9227455	1	Lighted Shelf Bench Assy., 15" x 48" BRT/SS
*	9027355	1	Lighted Shelf Bench Assy., 15" x 48" BRT/SS
*	9027360	1	Lighted Shelf Bench Assy., 15" x 48" BRT/SS
*	9026107	1	Lighted Shelf Bench Assy., 18" x 48" PTD
*	9027446	1	Lighted Shelf Bench Assy., 18" x 48" MB/SS
*	9027456	1	Lighted Shelf Bench Assy., 18" x 48" BRT/SS
*	9027356	1	Lighted Shelf Bench Assy., 18" x 48" WPC
*	9027361	1	Lighted Shelf Bench Assy., 18" x 48" BPC
3	5220612	1	15" x 48" Shelf, PTD
	5950571	1	15" x 48" Shelf, MB/SS
	5944622	1	15" x 48" Shelf, BRT/SS
	5237745	1	15" x 48" Shelf, WPC
	5643509	1	15" x 48" Shelf, BPC
	5220613	1	18" x 48" Shelf, PTD
	5950572	1	18" x 48" Shelf, MB/SS
	5944623	1	18" x 48" Shelf, BRT/SS
	5237746	1	18" x 48" Shelf, WPC
	5643510	1	18" x 48" Shelf, BPC
	4	5100902	2 Clip
	5	5619204	2 Screw
	6	5185810	1 RH 15" Shelf Bracket, PTD
		5185811	1 LH 15" Shelf Bracket, PTD
		5088412	1 RH 18" Shelf Bracket, MB/SS
		5088413	1 LH 18" Shelf Bracket, MB/SS
	7	5981627	2 Lamphield Caps
	8	5981622	1 Lamphield, T-8 46"
	9	5183536	3 Screw
	10	9026104	1 Light Channel Assy., PTD
		9027391	1 Light Channel Assy., MB/SS
		9027390	1 Light Channel Assy., BRT/SS
		9025984	1 Light Channel, PTD
		9027486	1 Light Channel, MB/SS
		9027487	1 Light Channel, BRT/SS
		9027906	1 Shelf Harness (furn. w/ wired lampholders)
		5217544	2 Lampholders (replacement only)
	11	5127438	4 Spacer
	12	5941919	1 Card Molding Joint Trim

Item	Part No.	Qty.	Description
*	9020935	1	Solid Lighted Shelf Assy., 15" x 48" PTD
*	9021274	1	Solid Lighted Shelf Assy., 15" x 48" MB/SS
*	9021266	1	Solid Lighted Shelf Assy., 15" x 48" BRT/SS
*	9021250	1	Solid Lighted Shelf Assy., 15" x 48" WPC
*	9021258	1	Solid Lighted Shelf Assy., 15" x 48" BPC
*	9020936	1	Solid Lighted Shelf Assy., 18" x 48" PTD
*	9021275	1	Solid Lighted Shelf Assy., 18" x 48" MB/SS
*	9021267	1	Solid Lighted Shelf Assy., 18" x 48" BRT/SS
*	9021251	1	Solid Lighted Shelf Assy., 18" x 48" WPC
*	9021259	1	Solid Lighted Shelf Assy., 18" x 48" BPC
1	5144974	4	Rivet
2	5236879	1	Narrow Card Molding
*	9026106	1	Lighted Shelf Bench Assy., 15" x 48" PTD
*	9027445	1	Lighted Shelf Bench Assy., 15" x 48" MB/SS

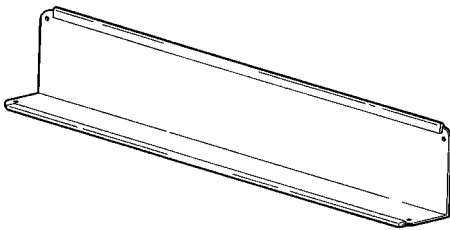


OPTIONAL CASE ACCESSORIES - (CONT'D) SCREENS, DIVIDERS, FENCES AND TRAYS



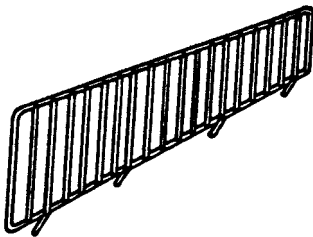
Adjustable Screens

Item	Part No.	Quantity		Description
		8'	12'	
*	5204578	1	-	Tlscp. Screen Set
*	5204579	-	1	Tlscp. Screen Set
-	5199443	4	6	Opt. Telescoping Screen, WHT (23 5/8" x 30 1/8")



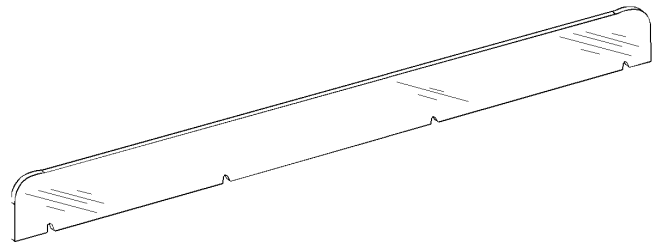
Optional "L" Solid Divider

Item	Part No.	Qty.	Description
-	5208278	1	"L" Solid Divider, WHT



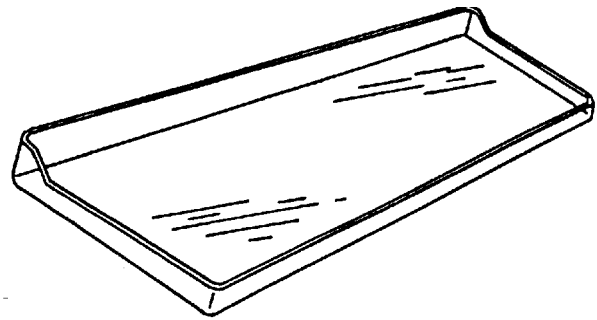
Optional Wire Shelf Fences

Item	Part No.	Qty.	Description
-	5212920	1	Wire Shelf Fence, WPC (3" x 48")
-	5643028	1	Wire Shelf Fence, BPC (3" x 48")



Optional Plexiglas Shelf Fences

Item	Part No.	Qty.	Description
-	5940289	1	Plexiglas Shelf Fence (1/4" x 3" x 47 3/4")



Optional Shelf Trays

Item	Part No.	Quantity		Description
		8'	12'	
-	5033071	1	1	14" Tray & Retainer Assy., (Open End Tray - PETG)
-	5033072	1	1	16" Tray & Retainer Assy., (Open End Tray - PETG)
-	5033073	1	1	18" Tray & Retainer Assy., (Open End Tray - PETG)
-	5605366	1	-	18" Tray & Retainer Assy., (Closed End Tray - PETG)
	5908749	1	1	Shelving Retainer
*	5955302	1	-	Tray Set, BRT/SS
*	5955303	-	1	Tray Set, BRT/SS
-	5950461	4	6	Closed End Tray, BRT/SS (25 3/8" x 23 15/16")
*	5955914	-	1	Tray Set, MB/SS
-	5942392	-	6	Closed End Tray, MB/SS (25 3/8" x 23 15/16")

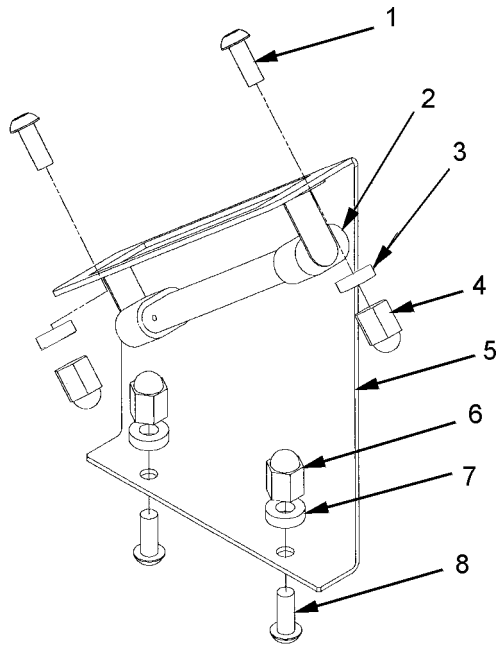
Optional Bottom Trays

Item	Part No.	Qty.	Description
-	5950461	1	Bottom Tray, BRT/SS
-	5942392	1	Bottom Tray, MB/SS



CASE ACCESSORIES - (CONT'D)

STANDARD CASE THERMOMETER

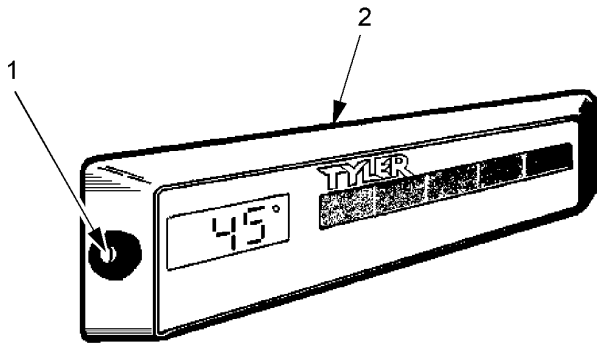


Standard Case Thermometer

Item	Part No.	Qty.	Description
*	9037459	1	Thermometer Kit Assy., F°
1	5208265	2	Screw
2	5967100	1	Pencil Thermometer
3	5103997	2	Lock Washer
4	5223244	2	Acorn Nut
5	9037457	1	Bracket
6	5223244	2	Acorn Nut
7	5103997	2	Lock Washer
8	5208265	2	Screw

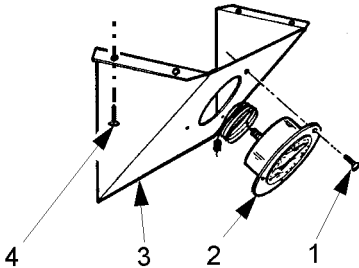


OPTIONAL CASE ACCESSORIES - (CONT'D) THERMOMETERS



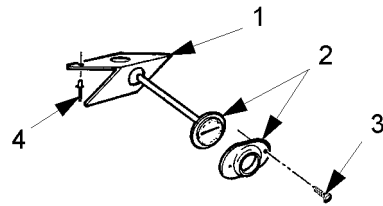
Digital Solar Thermometer

Item	Part No.	Qty.	Description
*	5991560	1	Digital Thermometer Assy., F°
*	5230914	1	Digital Thermometer Assy., C°
1	5230884	2	Screw
2	5239500	1	Digital Thermometer, F°
	5239501	1	Digital Thermometer, C°



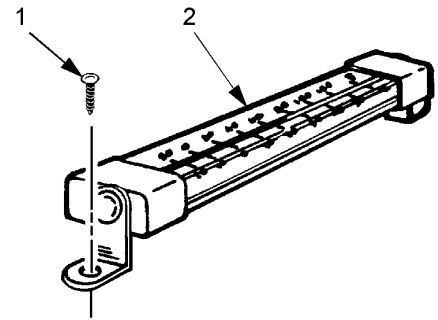
2" Dial Thermometer, Top Shelf

Item	Part No.	Qty.	Description
*	5081504	1	Thermometer Assy, Top Shelf
1	5111242	2	Screw
2	5204006	1	2" Dial Thermometer
3	5204762	1	Thermometer Housing
4	5199134	4	Screw



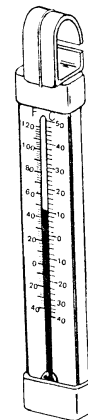
1" Dial Thermometer, Discharge Air

Item	Part No.	Qty.	Description
*	5204748	1	Thermometer Assy., Disc. Air
1	5207843	1	Thermometer Support
2	5203829	1	1" Dial Thermometer
	----	1	Mounting Ring (furnished with thermometer)
3	5219883	2	Screw
4	5104702	2	Rivet



Thermometer

Item	Part No.	Qty.	Description
*	5951645	1	Thermometer Assembly
1	5048626	2	Screw
2	5967100	1	Thermometer



Hanging Thermometer

Item	Part No.	Qty.	Description
-	5093678	1	Thermometer, Hanging