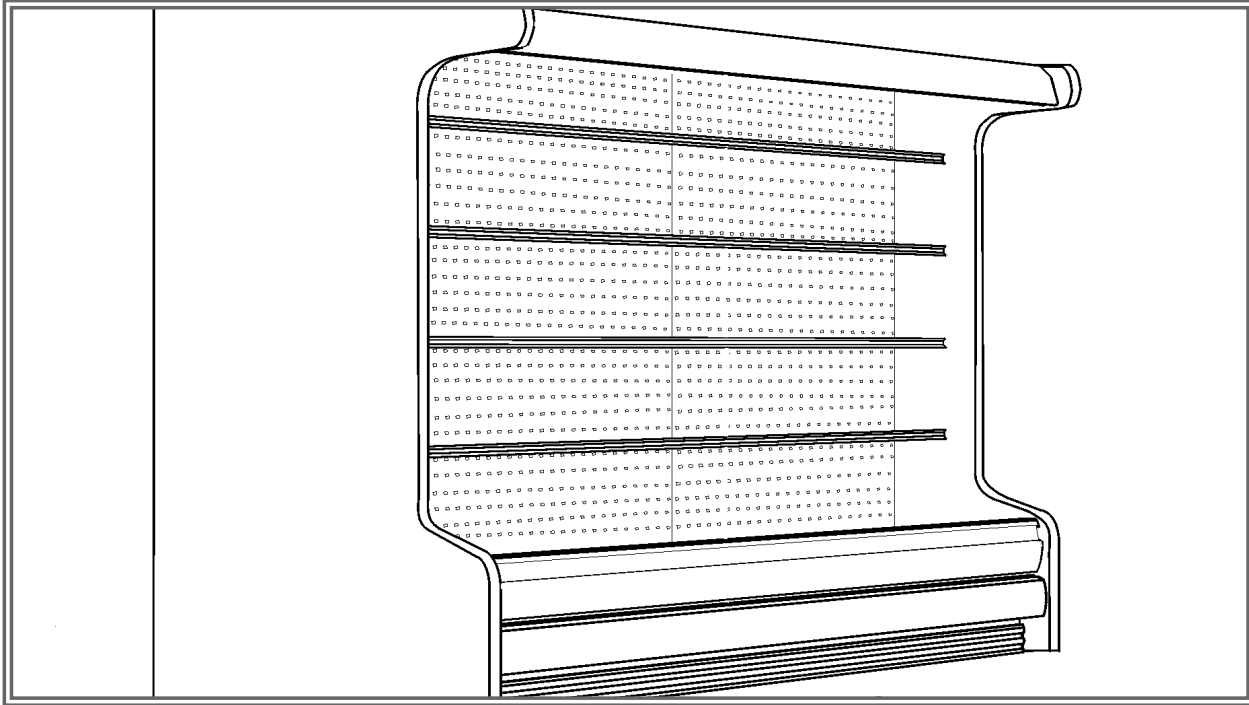


# Replacement Parts <sup>series</sup> Advantage



## Multi-Shelf Dairy/Deli Merchandiser

N6D

Began Production: September 22, 2000

9000740	N6DL4	Med-Temp	4' Front Load Merchandiser w/18" Front
9000684	N6DL6	Med-Temp	6' Front Load Merchandiser w/18" Front
9000685	N6DL8	Med-Temp	8' Front Load Merchandiser w/18" Front
9000686	N6DL12	Med-Temp	12' Front Load Merchandiser w/18" Front
9000688	N6DMR8	Med-Temp	8' Rear Load Merchandiser w/22" Front
9000689	N6DMR12	Med-Temp	12' Rear Load Merchandiser w/22" Front
9000690	N6DLR8	Med-Temp	8' Rear Load Merchandiser w/18" Front
9000691	N6DLR12	Med-Temp	12' Rear Load Merchandiser w/18" Front
9000678	N6DH6	Med-Temp	6' Front Load Merchandiser w/26" Front
9000679	N6DH8	Med-Temp	8' Front Load Merchandiser w/26" Front
9000680	N6DH12	Med-Temp	12' Front Load Merchandiser w/26" Front
9000810	N6DM6	Med-Temp	6' Front Load Merchandiser w/22" Front
9000682	N6DM8	Med-Temp	8' Front Load Merchandiser w/22" Front
9000683	N6DM12	Med-Temp	12' Front Load Merchandiser w/22" Front
9000686	N6DL12	Med-Temp	12' Front Load Merchandiser w/18" Front



Issue date: JULY 2005  
 Replaces issue: MAY 2001  
 Part number: 9037184  
 Revision: A

Tyler Refrigeration Corporation Niles, MI 49120  
 Parts information subject to change without notice  
 Printed in U.S.A.



N6D, N6DR

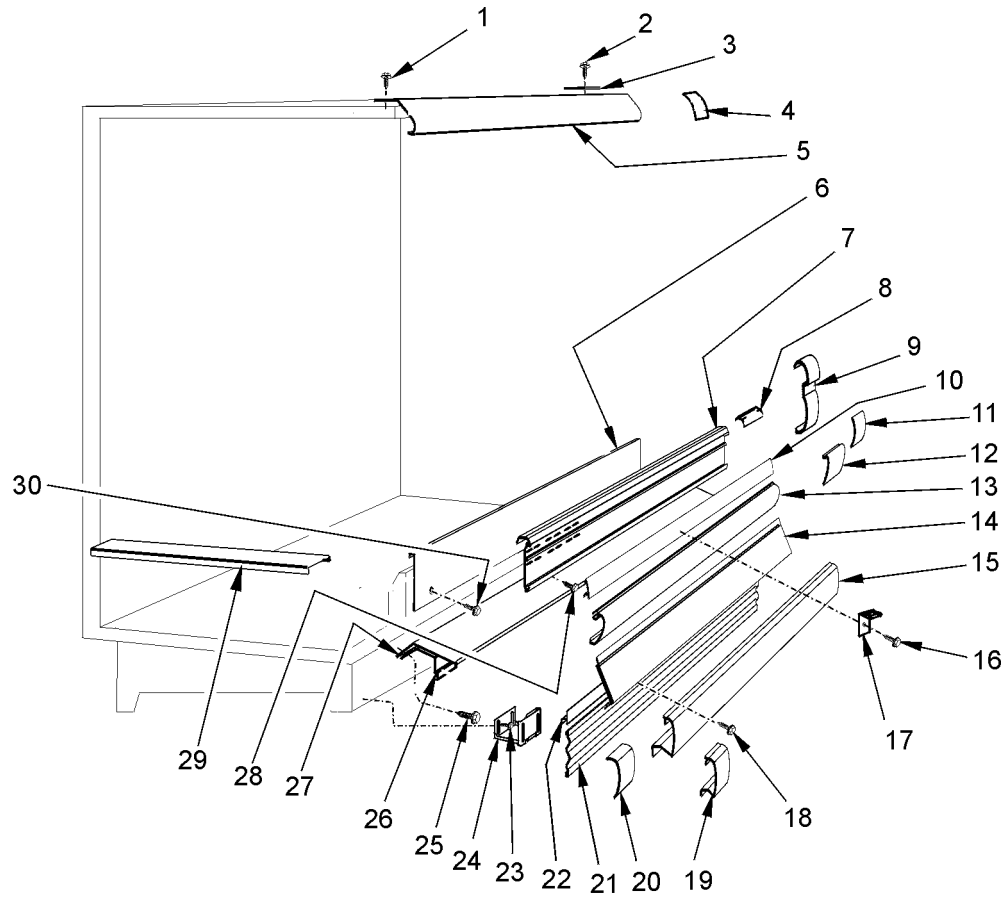
# CONTENTS

	<u>Page</u>
Cladding, Covers and Trims .....	C1-C9
<b>Structural Components</b>	
Top Shelf Assemblies .....	S1
Ducts and Z-Bars .....	S2, S3
Rear Doors - N6DR .....	S4
Patch Ends, Partitions and Plexiglas Dividers	
Solid Patch Ends .....	S5, S6
1" Solid Partitions .....	S7
Floating Plexiglas System Dividers .....	S8
<b>Electrical System Components</b>	
Wiring Harnesses	
Wiring and Components - N6D .....	E1
Fan Systems .....	E2
Optional Canopy Lights .....	E3
<b>Refrigeration System Components</b>	
Coil Assemblies .....	R1
Electric Defrost .....	R2
Optional Hot Gas Defrost Kits .....	R3
<b>Optional &amp; Standard Case Accessories</b>	
Shelf Assemblies .....	A1 - A4
Dividers, Shelf Trays and Bottom Trays .....	A5
Thermometers-Optional & Standard .....	A6
Nose Light Option .....	A7



# CLADDING, COVERS AND TRIMS

## N6DL, N6DM, N6DH, N6DLR, N6DMR



### 4', 6', 8' and 12' Merchandiser

Item	Part No.	Quantity				Description	Item	Part No.	Quantity				Description
		4'	6'	8'	12'				4'	6'	8'	12'	
1	5183536	2	4	6	8	Screw	9025137	-	-	-	1	FR Cladding, N6DL(R)	
2	5183536	8	8	8	8	Screw	9025647	-	1	-	-	FR Cladding, N6DM	
3	9026103	2	2	2	2	End Cover Pull up	9025648	-	-	1	-	FR Cladding, N6DM(R)	
4	9025983	1	1	1	1	Canopy Backer, Ptd.	9025649	-	-	-	1	FR Cladding, N6DM(R)	
	5199134	4	4	4	4	Screw	9025650	-	-	1	-	FR Cladding, N6DH	
5	9025221	1	-	-	-	Canopy Hood, Ptd.	9025651	-	-	-	1	FR Cladding, N6DH	
	9302901	-	1	-	-	Canopy Hood, Ptd.	15	+	1	1	1	Raceway Cover	
	9302828	-	-	1	-	Canopy Hood, Ptd.	16	9023841	4	4	6	8	RCWY CVR Retaining Plate
	9302829	-	-	-	1	Canopy Hood, Ptd.	17	5183536	4	4	5	5	Screw
6	9311775	1	-	-	-	Front Panel	18	9023566	4	4	5	5	Spring Clip
	5636774	-	1	-	-	Front Panel	19	5183536	4	4	6	8	Screw
	5203468	-	-	1	-	Front Panel	20	+	1	1	1	1	Raceway Cvr. End Trim
	5203469	-	-	-	1	Front Panel	21	+	1	1	1	1	Raceway Cvr. Backer
7	+	1	1	1	1	Handrail/Bumper Rtrn.	9041790	1	1	1	1	1	Kickplate Backer
8	9025316	1	1	1	1	Handrail Backer	22	+	1	1	1	1	Kickplate
9	+	1	1	1	1	Bumper End Trim	23	+	1	1	1	1	Kickplate Extension [IOPTL]
10	9023790	1	-	-	-	Color Band, Ptd.	24	9025833	4	6	8	8	Shoulder Screw
	9023795	-	1	-	-	Color Band, Ptd.	25	9042341	3	3	4	4	Kickplate Support Assy.
	9023798	-	-	1	-	Color Band, Ptd.	26	5183536	8	8	12	16	Screw
	9023800	-	-	-	1	Color Band, Ptd.	27	9041322	4	4	6	8	Raceway CVR Support
11	9040223	1	1	1	1	Color Band Backer, Ptd.	28	9311760	1	-	-	-	Raceway
							9300242	-	1	-	-	-	Raceway
12	+	1	1	1	1	Bumper Backer	9300243	-	-	1	-	-	Raceway
13	+	1	1	1	1	Bumper	9300244	-	-	-	1	-	Raceway
14	9311746	1	-	-	-	FR Cladding, N6DL	29	9025833	10	10	14	18	Shoulder Screw
	9025135	-	1	-	-	FR Cladding, N6DL	30	5211585	1	1	1	1	Horizontal End Trim
	9025136	-	-	1	-	FR Cladding, N6DL(R)		9025833	2	2	2	6	Shoulder Screw

+ See page C2 thru C9 for parts breakdown per color.



# UPPER CLADDING, COVERS AND TRIMS - (CONT'D)

N6DL- 4'

## Bumper Retainer [Item 7]

W/O Part.  
(48.062"):

Part No.	Color
9026155	White
9026156	Bone White
9026157	Misty Gray
9026158	Pearl
9026159	Oatmeal
9026160	Soft Sand
9026161	Chromium
9026162	Cool Gray
9026163	Oyster
9026164	Black
9028923	Steel Gray
9031780	Chocolate
9031807	Mocha
9031861	Stone
9029526	Cherry Red

W/ Part.  
(49.062"):

Part No.
9026909
9026910
9026911
9026912
9026913
9026914
9026915
9026916
9026917
9026918
9028925
9031782
9031809
9031862
9029527

## Bumper End Trim [Item 9]

Part No.	Color
9027220	White
9027221	Bone White
9027222	Misty Gray
9027223	Pearl
9027224	Oatmeal
9027225	Soft Sand
9027226	Chromium
9027227	Cool Gray
9027228	Oyster
9027229	Black
9028882	Steel Gray
9029590	Cherry Red
9031333	Chocolate
9031334	Mocha
9031335	Stone
9023195	RH Pusher Brkt
9028082	LH Pusher Brkt
5053985	Screw

## Bumper Backer [Item 12]

Part No.	Color
9025023	White
9025028	Bone White
9025035	Misty Gray
9025038	Pearl
9025041	Oatmeal
9025253	Soft Sand
9025258	Chromium
9025265	Cool Gray
9025268	Oyster
9025271	Black
9028883	Steel Gray
9031884	Chocolate
9031885	Mocha
9031886	Stone
9029581	Cherry Red

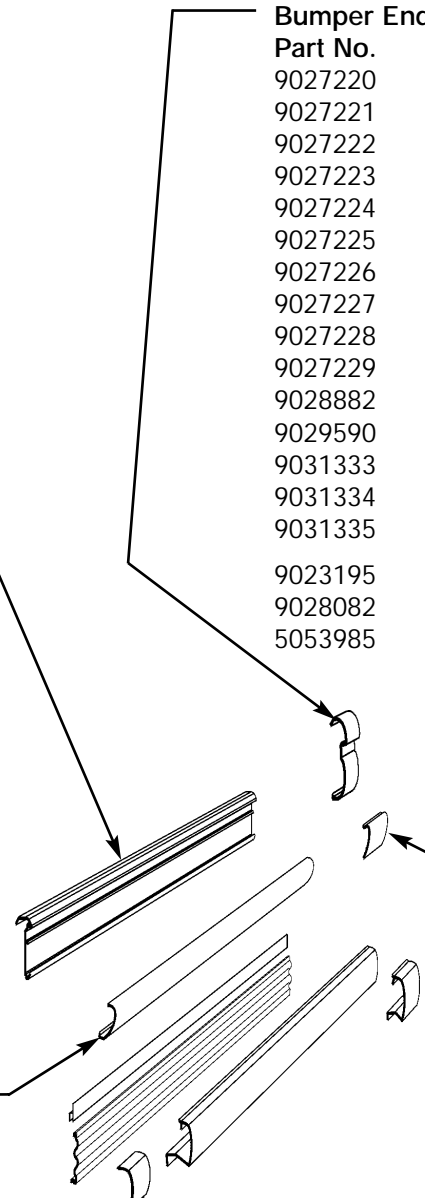
## Bumper [Item 13]

W/O Part.  
(48.062"):

Part No.	Color
9026165	White
9026166	Bone White
9026167	Misty Gray
9026168	Pearl
9026169	Oatmeal
9026170	Soft Sand
9026171	Chromium
9026172	Cool Gray
9026173	Oyster
9026174	Black
9028888	Steel Gray
9031669	Chocolate
9031706	Mocha
9031743	Stone
9029483	Cherry Red

W/ Part.  
(49.062"):

Part No.
9027119
9027120
9027121
9027122
9027123
9027124
9027125
9027126
9027127
9027128
9028890
9031671
9031708
9031745
9029485





# LOWER CLADDING, COVERS AND TRIMS - (CONT'D)

N6DL - 4'

**Optional Kickplate**

**Extension [Item 22]**

**W/O Partition (48.063"):**

Part No.	Color
9042832	Cool Gray
9042833	Black
9042834	Pearl
9042835	Steel Gray

**W/ Partition (73.063"):**

Part No.	Color
9042841	Cool Gray
9042842	Black
9042843	Pearl
9042844	Steel Gray

**Kickplate [Item 21]**

**W/O Partition (48.062"):**

Part No.	Color
9041595	Cool Gray
9041596	Black
9041597	Pearl
9041599	Steel Gray

**W/ Partition (49.062"):**

Part No.	Color
9041605	Cool Gray
9041606	Black
9041607	Pearl
9041609	Steel Gray

**Raceway Cover Backer [Item 20]**

Part No.	Color
9025795	White
9025796	Bone White
9025797	Misty Gray
9025798	Pearl
9025799	Oatmeal
9025800	Soft Sand
9025801	Chromium
9025802	Cool Gray
9025803	Oyster
9025804	Black
9310683	Steel Gray
9031907	Chocolate
9031908	Mocha
9031909	Stone

**Raceway Cover [Item 15]**

**W/O Part. (48.062"):**

Part No.	Color
9026142	White
9026143	Bone White
9026144	Misty Gray
9026145	Pearl
9026146	Oatmeal
9026147	Soft Sand
9026148	Chromium
9026149	Cool Gray
9026150	Oyster
9026151	Black
9310649	Steel Gray
9031560	Chocolate
9031587	Mocha
9031641	Stone
9029553	Cherry Red

**W/ Part. (49.062"):**

Part No.	Color
9027035	White
9027036	Bone White
9027037	Misty Gray
9027038	Pearl
9027039	Oatmeal
9027040	Soft Sand
9027041	Chromium
9027042	Cool Gray
9027043	Oyster
9027044	Black
9310650	Steel Gray
9031561	Chocolate
9031588	Mocha
9031642	Stone
9029554	Cherry Red

**Raceway Cover End Trim [Item 19]**

Part No.	Color
9027231	White
9027232	Bone White
9027233	Misty Gray
9027234	Pearl
9027235	Oatmeal
9027236	Soft Sand
9027237	Chromium
9027238	Cool Gray
9027239	Oyster
9027240	Black
9310681	Steel Gray
9034336	Chocolate
9034337	Mocha
9034338	Stone
9029591	Cherry Red



# UPPER CLADDING, COVERS AND TRIMS - (CONT'D)

N6DL/N6DM/N6DH - 6'

## Bumper Retainer [Item 7]

W/O Part.  
(72.062"):

Part No.	Color
9025487	White
9025500	Bone White
9025513	Misty Gray
9025526	Pearl
9025539	Oatmeal
9025552	Soft Sand
9025566	Chromium
9025579	Cool Gray
9025592	Oyster
9025605	Black
9028930	Steel Gray
9031787	Chocolate
9031814	Mocha
9031868	Stone
9029532	Cherry Red

W/ Part.  
(73.062"):

Part No.
9026929
9026930
9026931
9026932
9026933
9026934
9026935
9026936
9026937
9026938
9028932
9031789
9031816
9031870
9029534

## Bumper End Trim [Item 9]

Part No.	Color
9027220	White
9027221	Bone White
9027222	Misty Gray
9027223	Pearl
9027224	Oatmeal
9027225	Soft Sand
9027226	Chromium
9027227	Cool Gray
9027228	Oyster
9027229	Black
9028882	Steel Gray
9029590	Cherry Red
9031333	Chocolate
9031334	Mocha
9031335	Stone
9023195	RH Pusher Brkt
9028082	LH Pusher Brkt
5053985	Screw

## Bumper Backer [Item 12]

Part No.	Color
9025023	White
9025028	Bone White
9025035	Misty Gray
9025038	Pearl
9025041	Oatmeal
9025253	Soft Sand
9025258	Chromium
9025265	Cool Gray
9025268	Oyster
9025271	Black
9028883	Steel Gray
9031884	Chocolate
9031885	Mocha
9031886	Stone
9029581	Cherry Red

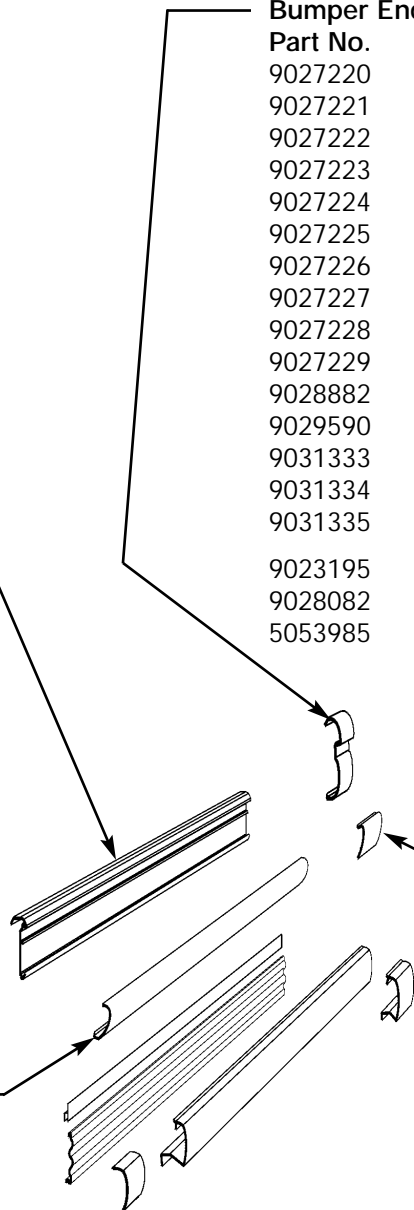
## Bumper [Item 13]

W/O Part.  
(72.062"):

Part No.	Color
9025030	White
9025260	Bone White
9025281	Misty Gray
9025302	Pearl
9025323	Oatmeal
9025344	Soft Sand
9025365	Chromium
9025386	Cool Gray
9025407	Oyster
9025428	Black
9028898	Steel Gray
9031679	Chocolate
9031716	Mocha
9031753	Stone
9029493	Cherry Red

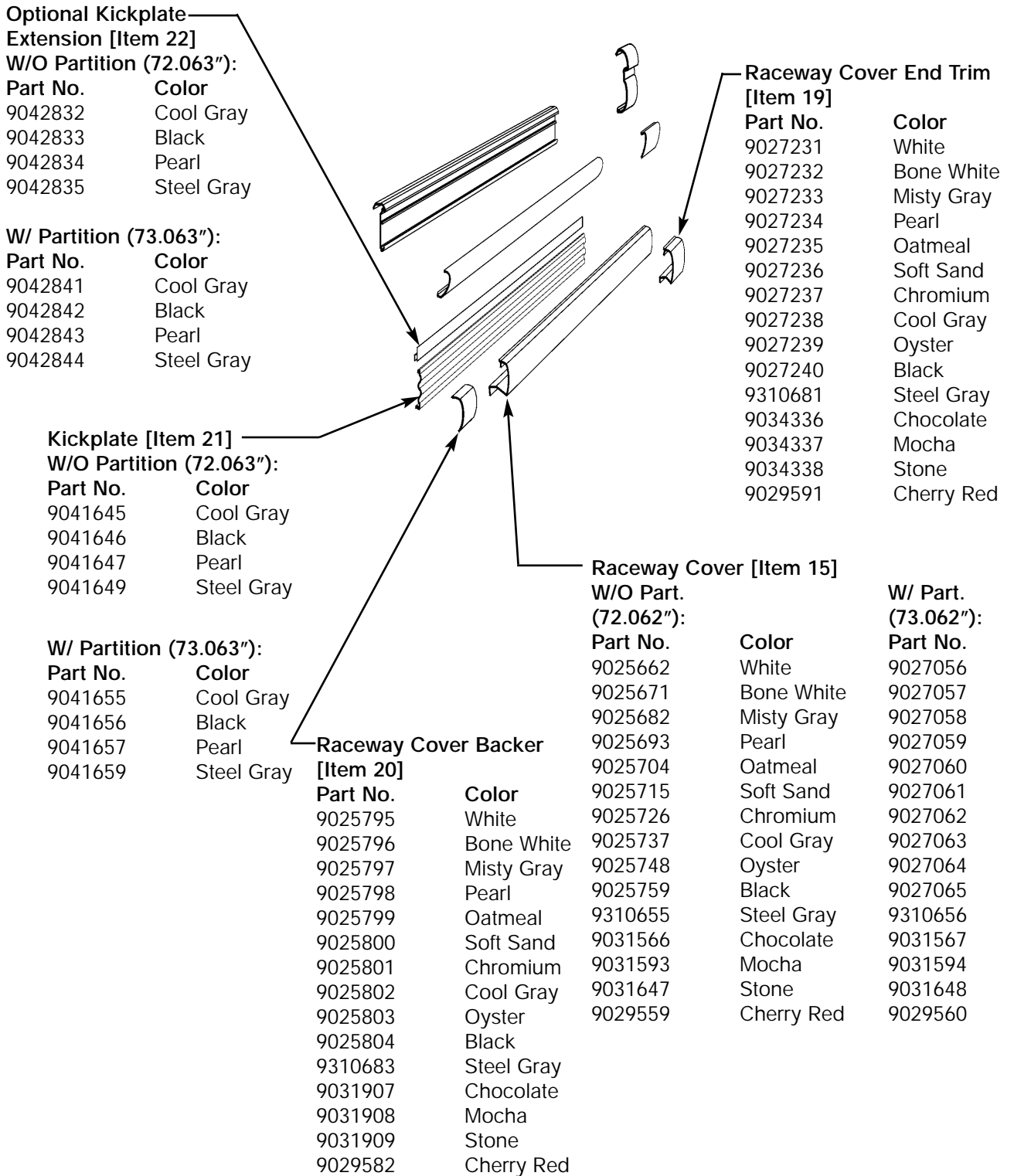
W/ Part.  
(73.062"):

Part No.
9027149
9027150
9027151
9027152
9027153
9027154
9027155
9027156
9027157
9027158
9028900
9031681
9031718
9031755
9029495





LOWER CLADDING, COVERS AND TRIMS - (CONT'D)  
N6DL/N6DM/N6DH - 6'





UPPER CLADDING, COVERS AND TRIMS - (CONT'D)  
 N6DL/N6DM/N6DH/N6DLR/N6DMR) - 8'

**Bumper Retainer [Item 7]**

W/O Part.  
 (96.062"):

Part No.	Color
9025491	White
9025504	Bone White
9025517	Misty Gray
9025530	Pearl
9025543	Oatmeal
9025557	Soft Sand
9025570	Chromium
9025583	Cool Gray
9025596	Oyster
9025609	Black
9028935	Steel Gray

W/ Part.  
 (97.062"):

Part No.
9026949
9026950
9026951
9026952
9026953
9026954
9026955
9026956
9026957
9026958
9028937

**Bumper End Trim [Item 9]**

Part No.	Color
9027220	White
9027221	Bone White
9027222	Misty Gray
9027223	Pearl
9027224	Oatmeal
9027225	Soft Sand
9027226	Chromium
9027227	Cool Gray
9027228	Oyster
9027229	Black
9028882	Steel Gray
9029590	Cherry Red
9031333	Chocolate
9031334	Mocha
9031335	Stone
9023195	RH Pusher Brkt
9028082	LH Pusher Brkt
5053985	Screw

**Bumper [Item 13]**

W/O Part.  
 (96.062"):

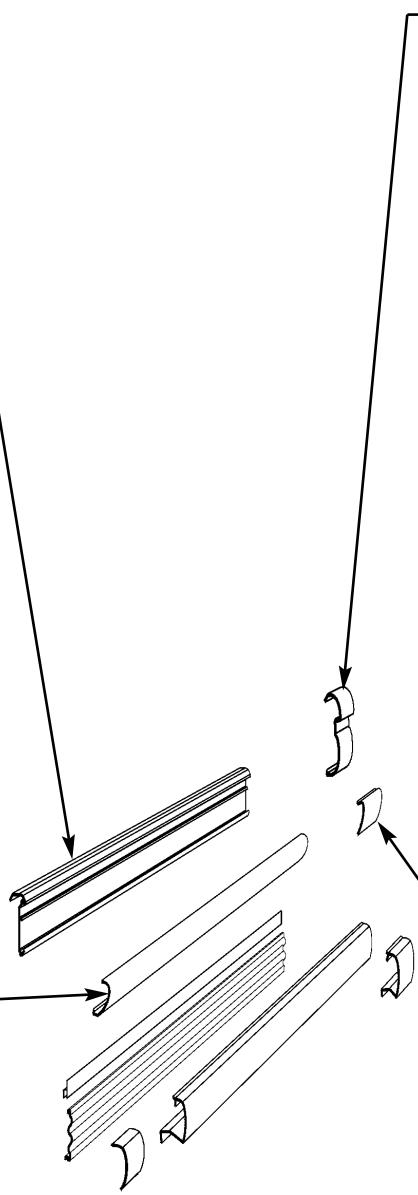
Part No.	Color
9025036	White
9025266	Bone White
9025287	Misty Gray
9025308	Pearl
9025329	Oatmeal
9025350	Soft Sand
9025371	Chromium
9025392	Cool Gray
9025413	Oyster
9025434	Black
9028905	Steel Gray

W/ Part.  
 (97.062"):

Part No.
9027179
9027180
9027181
9027182
9027183
9027184
9027185
9027186
9027187
9027188
9028907

**Bumper Backer [Item 12]**

Part No.	Color
9025023	White
9025028	Bone White
9025035	Misty Gray
9025038	Pearl
9025041	Oatmeal
9025253	Soft Sand
9025258	Chromium
9025265	Cool Gray
9025268	Oyster
9025271	Black
9028883	Steel Gray
9031884	Chocolate
9031885	Mocha
9031886	Stone
9029581	Cherry Red







# LOWER CLADDING, COVERS AND TRIMS - (CONT'D)

## N6DL/N6DM/N6DH/N6DLR/N6DMR - 8'

### Optional Kickplate Extension [Item 22]

W/O Part. (96.063"):

Part No.	Color
9042868	Cool Gray
9042869	Black
9042870	Pearl
9042871	Steel Gray

W/ Part. (97.063"):

Part No.	Color
9042876	Cool Gray
9042877	Black
9042878	Pearl
9042879	Steel Gray

### Kickplate [Item 21]

W/O Part. (96.063"):

Part No.	Color
9041690	Cool Gray
9041691	Black
9041692	Pearl
9041694	Steel Gray

W/ Part. (97.063"):

Part No.	Color
9041700	Cool Gray
9041701	Black
9041702	Pearl
9041704	Steel Gray

### Raceway Cover Backer [Item 20]

Part No.	Color
9025795	White
9025796	Bone White
9025797	Misty Gray
9025798	Pearl
9025799	Oatmeal
9025800	Soft Sand
9025801	Chromium
9025802	Cool Gray
9025803	Oyster
9025804	Black
9310683	Steel Gray
9031907	Chocolate
9031908	Mocha
9031909	Stone
9029582	Cherry Red

### Raceway Cover [Item 15]

W/O Part. (96.062"):

Part No.	Color
9025666	White
9025675	Bone White
9025686	Misty Gray
9025697	Pearl
9025708	Oatmeal
9025719	Soft Sand
9025730	Chromium
9025741	Cool Gray
9025752	Oyster
9025763	Black
9310660	Steel Gray
9031571	Chocolate
9031598	Mocha
9031652	Stone
9029564	Cherry Red

W/ Part. (97.062"):

Part No.	Color
9027077	White
9027078	Bone White
9027079	Misty Gray
9027080	Pearl
9027081	Oatmeal
9027082	Soft Sand
9027083	Chromium
9027084	Cool Gray
9027085	Oyster
9027086	Black
9310661	Steel Gray
9031572	Chocolate
9031599	Mocha
9031653	Stone
9029565	Cherry Red

### Raceway Cover End Trim [Item 19]

Part No.	Color
9027231	White
9027232	Bone White
9027233	Misty Gray
9027234	Pearl
9027235	Oatmeal
9027236	Soft Sand
9027237	Chromium
9027238	Cool Gray
9027239	Oyster
9027240	Black
9310681	Steel Gray
9034336	Chocolate
9034337	Mocha
9034338	Stone
9029591	Cherry Red



# UPPER CLADDING, COVERS AND TRIMS - (CONT'D)

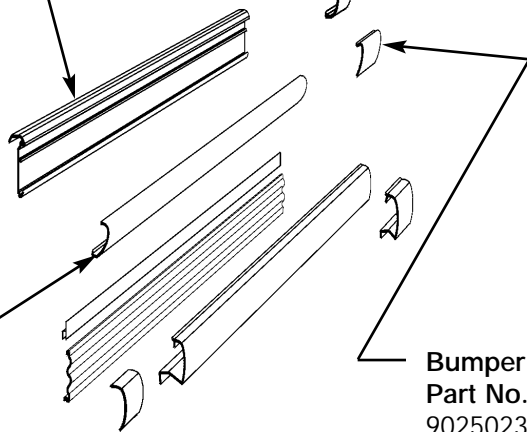
N6DL/N6DM/N6DH/N6DLR/N6DMR - 12'

## Bumper Retainer [Item 7]

W/O Part. (144.062"):		W/ Part. (145.062"):	
Part No.	Color	Part No.	Color
9025493	White	9026969	
9025506	Bone White	9026970	
9025519	Misty Gray	9026971	
9025532	Pearl	9026972	
9025545	Oatmeal	9026973	
9025559	Soft Sand	9026974	
9025572	Chromium	9026975	
9025585	Cool Gray	9026976	
9025598	Oyster	9026977	
9025611	Black	9026978	
9028940	Steel Gray	9028942	
9031797	Chocolate	9031799	
9031824	Mocha	9031826	
9031878	Stone	9031880	
9029543	Cherry Red	9029545	

## Bumper End Trim [Item 9]

Part No.	Color
9027220	White
9027221	Bone White
9027222	Misty Gray
9027223	Pearl
9027224	Oatmeal
9027225	Soft Sand
9027226	Chromium
9027227	Cool Gray
9027228	Oyster
9027229	Black
9028882	Steel Gray
9029590	Cherry Red
9031333	Chocolate
9031334	Mocha
9031335	Stone
9023195	RH Pusher Brkt
9028082	LH Pusher Brkt
5053985	Screw



## Bumper [Item 13]

W/O Part. (144.062"):		W/ Part. (145.062"):	
Part No.	Color	Part No.	Color
9025039	White	9027199	
9025269	Bone White	9027200	
9025290	Misty Gray	9027201	
9025311	Pearl	9027202	
9025332	Oatmeal	9027203	
9025353	Soft Sand	9027204	
9025374	Chromium	9027205	
9025395	Cool Gray	9027206	
9025416	Oyster	9027207	
9025437	Black	9027208	
9028912	Steel Gray	9028914	
9031695	Chocolate	9031697	
9031732	Mocha	9031734	
9031769	Stone	9031771	
9029509	Cherry Red	9029511	

## Bumper Backer [Item 12]

Part No.	Color
9025023	White
9025028	Bone White
9025035	Misty Gray
9025038	Pearl
9025041	Oatmeal
9025253	Soft Sand
9025258	Chromium
9025265	Cool Gray
9025268	Oyster
9025271	Black
9028883	Steel Gray
9031884	Chocolate
9031885	Mocha
9031886	Stone
9029581	Cherry Red



# LOWER CLADDING, COVERS AND TRIMS - (CONT'D)

## N6DL/N6DM/N6DH/N6DLR/N6DMR - 12'

### Optional Kickplate Extension [Item 22]

W/O Part. (144.063"):

Part No.	Color
9042896	Cool Gray
9042897	Black
9042898	Pearl
9042899	Steel Gray

W/ Part. (145.063"):

Part No.	Color
9042904	Cool Gray
9042905	Black
9042906	Pearl
9042907	Steel Gray

### Kickplate [Item 21]

W/O Part. (144.063"):

Part No.	Color
9041730	Cool Gray
9041731	Black
9041732	Pearl
9041734	Steel Gray

W/ Part. (145.063"):

Part No.	Color
9041740	Cool Gray
9041741	Black
9041742	Pearl
9041744	Steel Gray

### Raceway Cover Backer [Item 20]

Part No.	Color
9025795	White
9025796	Bone White
9025797	Misty Gray
9025798	Pearl
9025799	Oatmeal
9025800	Soft Sand
9025801	Chromium
9025802	Cool Gray
9025803	Oyster
9025804	Black
9310683	Steel Gray
9031907	Chocolate
9031908	Mocha
9031909	Stone
9029582	Cherry Red

### Raceway Cover [Item 15]

W/O Part.  
(144.062"):

Part No.	Color
9025668	White
9025677	Bone White
9025688	Misty Gray
9025699	Pearl
9025710	Oatmeal
9025721	Soft Sand
9025732	Chromium
9025743	Cool Gray
9025754	Oyster
9025765	Black
9310666	Steel Gray
9031577	Chocolate
9031604	Mocha
9031658	Stone
9029570	Cherry Red

W/ Part.  
(145.062"):

Part No.	Color
9027098	White
9027099	Bone White
9027100	Misty Gray
9027101	Pearl
9027102	Oatmeal
9027103	Soft Sand
9027104	Chromium
9027105	Cool Gray
9027106	Oyster
9027107	Black
9310667	Steel Gray
9031578	Chocolate
9031605	Mocha
9031659	Stone
9029571	Cherry Red

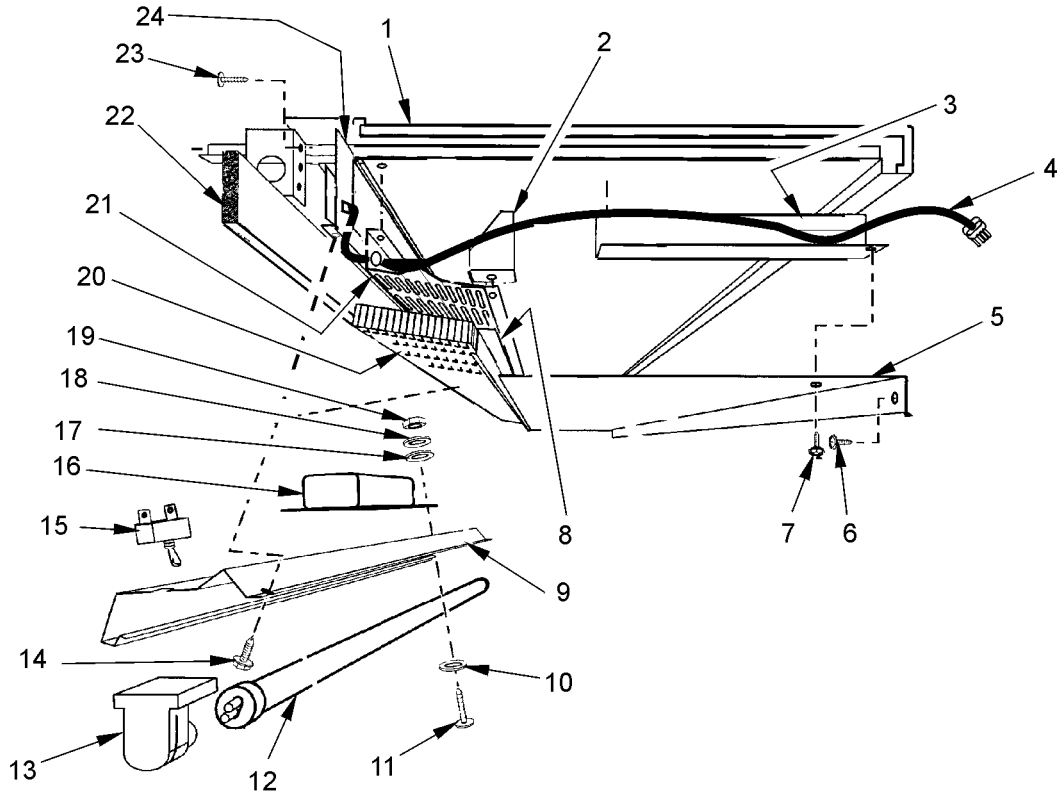
### Raceway Cover End Trim [Item 19]

Part No.	Color
9027231	White
9027232	Bone White
9027233	Misty Gray
9027234	Pearl
9027235	Oatmeal
9027236	Soft Sand
9027237	Chromium
9027238	Cool Gray
9027239	Oyster
9027240	Black
9310681	Steel Gray
9034336	Chocolate
9034337	Mocha
9034338	Stone
9029591	Cherry Red



# STRUCTURAL COMPONENTS - (CONT'D)

## TOP SHELF ASSEMBLIES - N6DL/N6DM/N6DH/N6DLR/N6DMR

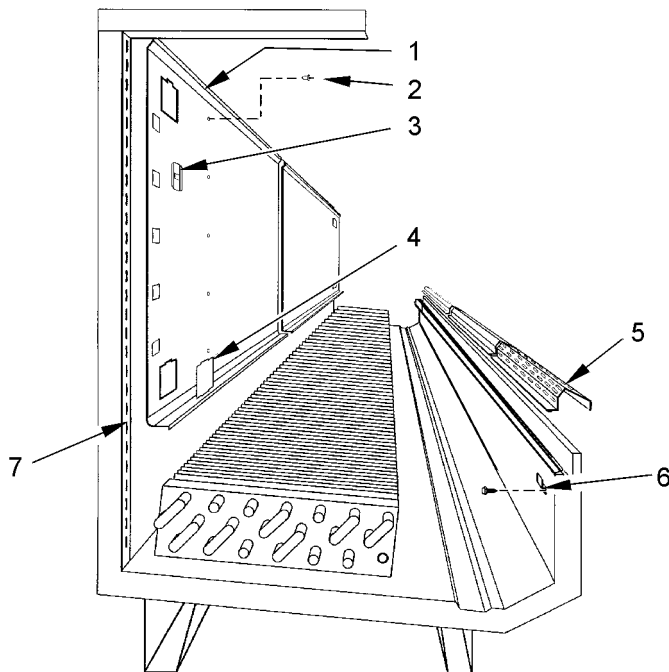


4', 6', 8' and 12' Merchandiser

Item	Part No.	Quantity				Description	Item	Part No.	Quantity				Description
		4'	6'	8'	12'				4'	6'	8'	12'	
1	9300483	1	-	-	-	Top Shelf Foam Assy.	10	5103997	2	2	2	2	Washer, Shakeproof
	5636804	-	1	-	-	Top Shelf Foam Assy.	11	5100379	2	2	2	2	Screw
	5211485	-	-	1	-	Top Shelf Foam Assy.	12	-----	1	1	1	2	Fluorescent Lamp
	5211486	-	-	-	1	Top Shelf Foam Assy.	13	5614628	1	1	1	2	Lampholder, TLSCP
2	9041221	1	1	1	1	RH End Close-off		5614629	1	1	1	2	Lampholder, STA
	9041220	1	1	1	1	LH End Close-off	14	5183536	3	7	9	13	Screw
3	5183908	2	2	2	3	Top Shelf Z-Bar	15	5100565	1	1	1	1	Toggle Switch
4	9041309	1	1	1	1	Harness, Light	16	5049140	1	1	1	-	Ballast, 800MA
5	9311763	1	-	-	-	Top Shelf Duct		5204769	-	-	-	1	Ballast, 800MA
	9311156	-	1	-	-	Top Shelf Duct	17	5100973	2	2	2	2	Washer
	9311154	-	-	1	-	Top Shelf Duct	18	5101000	2	2	2	2	Lockwasher
	9303121	-	-	-	1	Top Shelf Duct	19	5100661	2	2	2	2	Nut
6	5619204	10	12	12	16	Screw	20	9040042	2	2	2	3	Grid, Honeycomb-WHT
7	5619204	2	4	4	6	Screw	21	9311226	1	-	-	-	Perf. Air Deflector Grid
8	9311097	1	-	-	-	RR Grid Retainer		9040201	-	1	-	-	Perf. Air Deflector Grid
	9311096	-	1	-	-	RR Grid Retainer		9040202	-	-	1	-	Perf. Air Deflector Grid
	9311095	-	-	1	-	RR Grid Retainer		9040203	-	-	-	1	Perf. Air Deflector Grid
	9303128	-	-	-	1	RR Grid Retainer		5183536	8	11	22	24	Screw
*	9040276	1	-	-	-	Light Channel Assy.	22	5186737	A/R	A/R	A/R	A/R	Ethofoam Tape
*	9040278	-	1	-	-	Light Channel Assy.	23	1309067	4	4	4	4	Screw
*	9040283	-	-	1	-	Light Channel Assy.	24	9040224	1	-	-	-	Light Channel Hanger
*	9040320	-	-	-	1	Light Channel Assy.		9040225	-	1	-	-	Light Channel Hanger
9	9040239	1	-	-	-	Light Channel		9040226	-	-	1	-	Light Channel Hanger
	9025910	-	1	-	-	Light Channel		9040227	-	-	-	1	Light Channel Hanger
	9025911	-	-	1	-	Light Channel							
	9025912	-	-	-	1	Light Channel							



STRUCTURAL COMPONENTS - (CONT'D)  
 DUCTS AND Z-BARS - N6DL/N6DM/N6DH

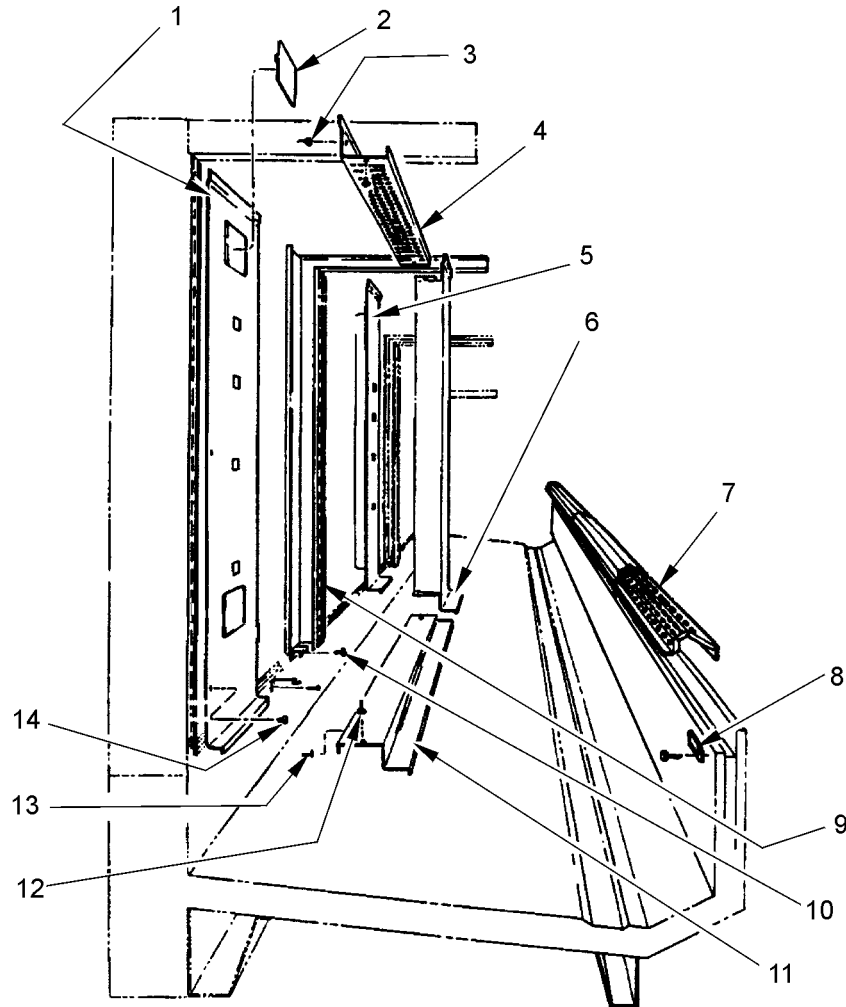


6', 8' and 12' Merchandiser

Item	Part No.	Quantity			Description	Item	Part No.	Quantity			Description
		6'	8'	12'				6'	8'	12'	
1	9303222	2	-	-	RR Duct-PTD	9311551	2	-	-	Front Duct - N6DM	
	9303223	2	-	-	RR Duct-BRT/SS	9311560	-	2	3	Front Duct - N6DM	
	9303224	2	-	-	RR Duct-MB/SS	9311554	2	-	-	Front Duct - N6DH	
	9303218	-	2	3	RR Duct-PTD	9311563	-	2	3	Front Duct - N6DH	
	9303219	-	2	3	RR Duct-BRT/SS	5183536	8	8	14	Screw	
	9303220	-	2	3	RR Duct-MB/SS	6	9311614	4	4	6	Front Duct Clip
2	5048626	38	28	58	Rivet	5120943	12	12	18	Screw	
3	9311186	10	10	15	Outlet Cover-PTD	7	5211508	2	2	3	Rear Z-Bar
	9311187	10	10	15	Outlet Cover-BRT/SS	5183536	12	12	24	Screw	
	5945884	10	10	15	Outlet Cover-MB/SS	<b>5211510</b>	<b>1</b>	<b>1</b>	<b>2</b>	<b>CTR. URT. Weld Assy.</b>	
4	5646033	8	8	12	Inspection Cover-PTD	1309067	14	14	28	Screw	
	5646035	8	8	12	Inspection Cover-BRT/SS						
	5646095	8	8	12	Inspection Cover-MB/SS						
5	9311548	2	-	-	Front Duct - N6DL						
	9311557	-	2	3	Front Duct - N6DL						



STRUCTURAL COMPONENTS - (CONT'D)  
 DUCTS AND Z-BARS - N6DLR/N6DMR

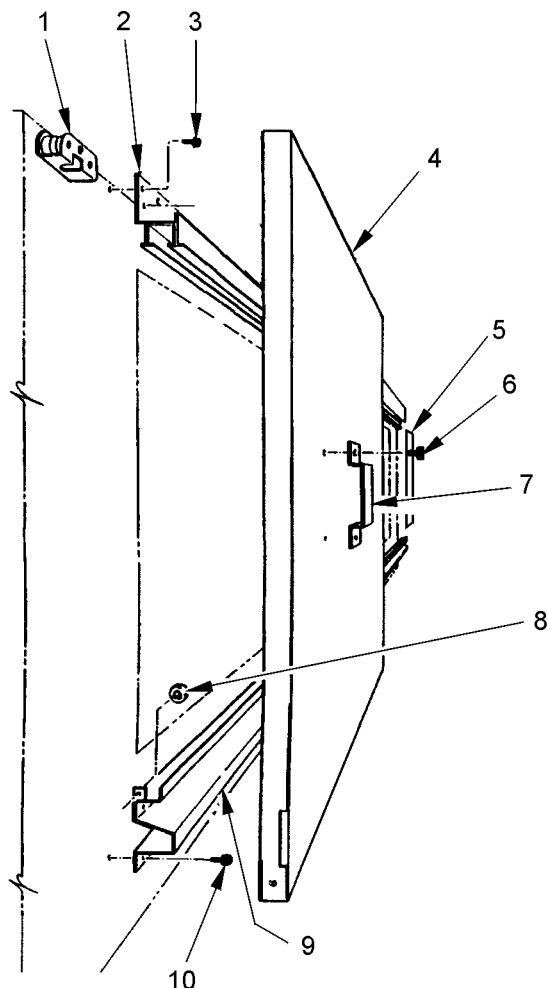


8' and 12' Merchandiser

Item	Part No.	Quantity		Description	Item	Part No.	Quantity		Description
		8'	12'				8'	12'	
1	9311607	1	1	LH End Plenum	5183536	8	14	Screw	
	9311606	1	1	RH End Plenum	8	9311614	4	6	Front Duct Clip
2	5646033	4	4	Inspection Cover	5120943	12	18	Screw	
3	5048626	10	15	Screw	<b>9</b>	<b>5212370</b>	<b>1</b>	<b>2</b>	<b>Center Upright Assy.</b>
4	5212340	2	2	Upper Center Duct Filler	10	1309067	4	8	Screw
	5212341	-	1	Upper Center Duct Filler	11	5212338	2	2	End Threshold
	5048626	4	6	Screw		5212339	-	1	CTR Threshold
5	9311608	1	2	LH Center Duct Plenum	12	5048626	4	6	Screw
6	9311609	1	2	RH Center Duct Plenum	13	5048626	10	15	Screw
7	9311557	2	3	Front Duct	14	5048626	6	9	Screw



STRUCTURAL COMPONENTS - (CONT'D)  
 REAR DOORS - N6DLR/N6DMR

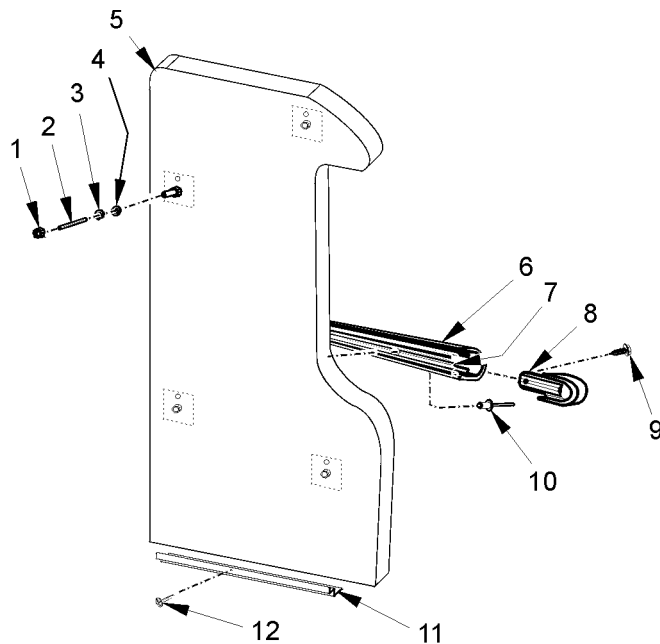


8' and 12' Merchandiser

Item	Part No.	Quantity		Description	Item	Part No.	Quantity		Description	
		8'	12'				8'	12'		
1	9042617	4	6	Door Carrier Assy.	5	9036455	1	1	Closeoff Panel - WHT	
	9322559	4	6	Apron		9303100	6	6	Screw	
	9036453	4	6	Bolt		6	9303098	4	6	Screw - Chrome
	5121289	4	6	Carrier		7	9042624	2	3	Handle
	9303103	4	6	Jam Nut		8	9036451	4	4	Recessed Rubber Bumper
2	9042622	1	-	Upper Track	9036450	4	4	L. Side Screw		
	9042623	-	1	Upper Track	9042616	4	4	R. Side Screw		
3	5100751	6	8	Screw	9	9042619	1	-	Lower Track Assy.	
4	9042629	1	1	LH Inside Door Assy.-WHT	9042620	-	1	Lower Track Assy.		
	9042628	1	1	Center Door Assy.-WHT	10	5183536	6	8	Screw	
	9042627	-	1	RH Inside door Assy. -WHT						
	9036452	4	6	Seal						
	9036451	4	6	Recessed Rubber Bumper						
	9042625	2	3	Door Panel						
	9036459	4	6	Sex Bolt -1 1/2" L						
	9036460	16	24	Sex Bolt - 1/2" L						



STRUCTURAL COMPONENTS - (CONT'D)  
 PATCH ENDS, PARTITIONS AND DIVIDERS - N6D/N6DR  
 Solid Patch Ends, Contoured



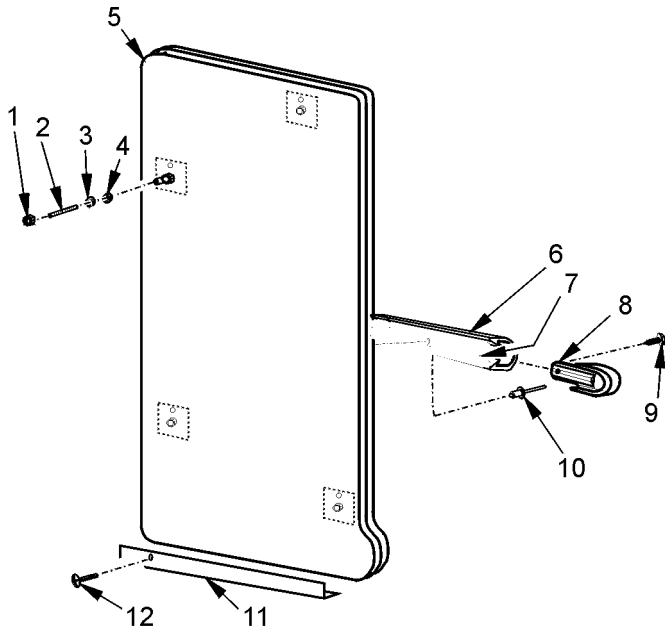
Item	Part No.	Qty.	Description
1	5100625	4	Nut, 5/16"-18
2	9022756	4	Threaded Insert
3	5101003	4	Lockwasher
4	5100976	4	Washer
	9022759	4	Stud
	9022760	4	Tapping Plate
5	9028278	1	RH Contoured Bench Assy., Ptd. w/Ptd. Liner
	9028279	1	LH Contoured Bench Assy., Ptd. w/Ptd. Liner
	9028280	1	RH Contoured Bench Assy., Ptd. w/BRT SS Liner
	9028281	1	LH Contoured Bench Assy., Ptd. w/BRT SS Liner
	9310422	1	RH Contoured Bench Assy., BRT SS w/BRT SS Liner
	9310432	1	LH Contoured Bench Assy., BRT SS w/BRT SS Liner
	9028282	1	RH Contoured Bench Assy., Ptd. w/Ptd. Liner + Mirror
	9028283	1	LH Contoured Bench Assy., Ptd. w/Ptd. Liner + Mirror
	9028284	1	RH Contoured Bench Assy., Ptd. w/BRT SS Liner + Mirror
	9028285	1	LH Contoured Bench Assy., Ptd. w/BRT SS Liner + Mirror
	5227236	1	Mirror Pan
	5224204	1	Top Front Vertical Mirror Trim
	5946041	1	Front Horizontal Trim
	5946039	1	Front Horizontal Trim
	5104702	12	Rivet
	5227896	1	Mirror
6	9023462	2	1" Bumper, Pearl
	9023460	2	1" Bumper, Cool Gray
	9023461	2	1" Bumper, Black
	9023459	2	1" Bumper, Pearly Gates
	9310876	2	1" Bumper, Steel Gray
7	9023453	2	Mounting Retainer
8	9027742	4	End Cap, Pearl
	9027743	4	End Cap, Cool Gray
	9027744	4	End Cap, Black
	9026528	4	End Cap, Pearl Gates
	9310881	4	End Cap, Steel Gray
9	5183536	4	Screw
10	5104702	17	Rivet
11	9301560	1	Plate Protector
	5186737	1	Protector Gasket
12	1309067	3	Screw

Item	Part No.	Qty.	Description
*	9021031	1	RH Contoured End Assy., Ptd. w/Ptd. Liner
*	9021032	1	LH Contoured End Assy., Ptd. w/Ptd. Liner
*	9021039	1	RH Contoured End Assy., Ptd. w/BRT SS Liner
*	9021040	1	LH Contoured End Assy., Ptd. w/BRT SS Liner
*	9310421	1	RH Contoured End Assy., BRT SS w/BRT SS Liner
*	9310432	1	LH Contoured End Assy., BRT SS w/BRT SS Liner
*	9021045	1	RH Contoured End Assy., Ptd. w/Ptd. Liner + Mirror
*	9021046	1	LH Contoured End Assy., Ptd. w/Ptd. Liner + Mirror
*	9021051	1	RH Contoured End Assy., Ptd. w/BRT SS Liner + Mirror
*	9021052	1	LH Contoured End Assy., Ptd. w/BRT SS Liner + Mirror





STRUCTURAL COMPONENTS - (CONT'D)  
 PATCH ENDS, PARTITIONS AND DIVIDERS - N6D/N6DR  
 Solid Patch Ends, Boxed

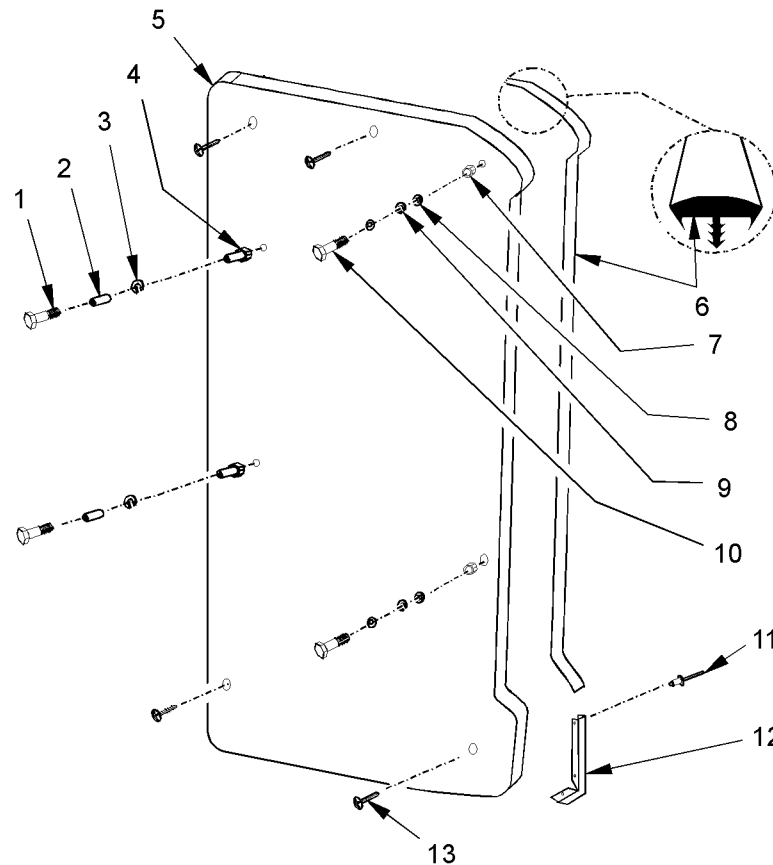


Item	Part No.	Qty.	Description
5	9028286	1	RH End Bench Assy., Ptd. w/Ptd. Liner
	9028287	1	LH End Bench Assy., Ptd. w/Ptd. Liner
	9028288	1	RH End Bench Assy., Ptd. w/BRT SS Liner
	9028289	1	LH End Bench Assy., Ptd. w/BRT SS Liner
	9028294	1	RH End Bench Assy., BRT SS w/BRT SS Liner
	9030158	1	LH End Bench Assy., BRT SS w/BRT SS Liner
	9320146	1	RH Ext. Hd. End Bench Assy., Ptd. w/BRT SS Liner - N6D
	9320147	1	LH Ext. Hd. End Bench Assy., Ptd. w/BRT SS Liner - N6D
	9028290	1	RH Box Bench Assy., Ptd. w/Ptd. Liner + Mirror
	9028291	1	LH Box Bench Assy., Ptd. w/Ptd. Liner + Mirror
	9028292	1	RH Box Bench Assy., Ptd. w/BRT SS Liner + Mirror
	9028293	1	LH Box Bench Assy., Ptd. w/BRT SS Liner + Mirror
	9301939	1	RH Box Bench Assy., BRT SS & Mirror w/BRT SS Liner
	9301940	1	LH Box Bench Assy., BRT SS & Mirror w/BRT SS Liner
	5224202	1	Mirror Pan
	5946042	1	Top Mirror Trim
	5224202	1	Mirror
	5946032	1	Bottom Horizontal Mirror Trim
	5224204	1	Front Vertical Mirror Trim
	5104702	20	Rivet
	9023462	2	1" Bumper, Pearl
	9023460	2	1" Bumper, Cool Gray
	9023461	2	1" Bumper, Black
	9023459	2	1" Bumper, Pearly Gates
	9310876	2	1" Bumper, Steel Gray
	9023453	2	Mounting Retainer
	9027742	4	End Cap, Pearl
	9027743	4	End Cap, Cool Gray
	9027744	4	End Cap, Black
	9026528	4	End Cap, Pearl Gates
	9310881	4	End Cap, Steel Gray
	5183536	4	Screw
	5104702	17	Rivet
	9301560	1	Plate Protector
	5186737	1	Protector Gasket
	1309067	3	Screw

Item	Part No.	Qty.	Description
*	9021053	1	RH Box End Assy., Ptd. w/Ptd. Liner
*	9021054	1	LH Box End Assy., Ptd. w/Ptd. Liner
*	9021057	1	RH Box End Assy., Ptd. w/BRT SS Liner
*	9021058	1	LH Box End Assy., Ptd. w/BRT SS Liner
*	9022979	1	RH Box End Assy., BRT SS w/BRT SS Liner
*	9030157	1	LH Box End Assy., BRT SS w/BRT SS Liner
*	9320148	1	RH Ext. Hood Box End Assy., Ptd. w/BRT SS Liner - N6D
*	9320149	1	LH Ext. Hood Box End Assy., Ptd. w/BRT SS Liner - N6D
*	9021059	1	RH Box End Assy., Ptd. w/Ptd. Liner + Mirror
*	9021060	1	LH Box End Assy., Ptd. w/Ptd. Liner + Mirror
*	9021061	1	RH Box End Assy., Ptd. w/BRT SS Liner + Mirror
*	9021062	1	LH Box End Assy., Ptd. w/BRT SS Liner + Mirror
*	9301941	1	RH Box End Assy., BRT SS & Mirror w/BRT SS Liner
*	9301942	1	LH Box End Assy., BRT SS & Mirror w/BRT SS Liner
1	5100625	4	Nut, 5/16"-18
2	9022756	4	Threaded Insert
3	5101003	4	Lockwasher
4	5100976	4	Washer



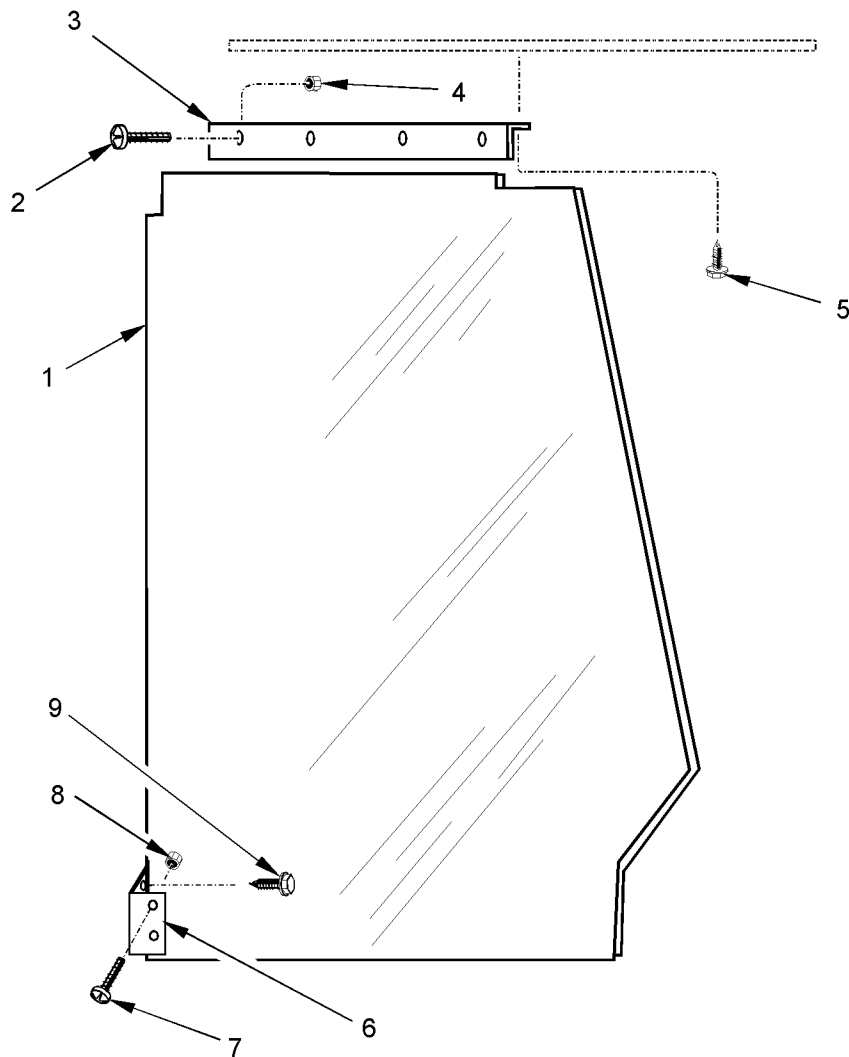
STRUCTURAL COMPONENTS - (CONT'D)  
 PATCH ENDS, PARTITIONS AND DIVIDERS - N6D/N6DR  
 1" Solid Partition



Item	Part No.	Qty.	Description	Item	Part No.	Qty.	Description
*	9310835	1	1" Sol. Partition Assy., Ptd. N6DL/N6DLR				
*	9310883	1	1" Sol. Partition Assy., BRT SS Sides N6DL/L6DLR	6	5219883	4	Screw (for Hood Trim)
*	9310975	1	1" Sol. Partition Assy., BRT SS Sides N6DM/N6DMR		9302016	6'	Edge Trim, Cool Grey
					9302017	6'	Edge Trim, Pearl Grey
					9302018	6'	Edge Trim, Black
					9302019	6'	Edge Trim, Pearly Gates
1	5122898	2	Screw	7	5100634	2	Nut
2	5053056	4	Pull-up Extension Sleeve	8	5101006	2	Lockwasher
3	5101006	2	Lockwasher	9	5100979	4	Washer
4	5100634	2	Nut	10	5100748	2	Screw
5	9310827	1	Core, Ptd. - N6DL/N6DLR	11	5104702	6	Rivet
	9310841	1	Core, BRT SS - N6DL/N6DLR	12	9310828	1	Lower Trim, Ptd. -N6DL/N6DLR
	9310977	1	Core, BRT SS - N6DM/N6DMR		9310980	1	Lower Trim, Ptd. - N6DM/N6DMR
	9029422	1	Canopy Hood Trim (Not Illust.)	13	5111030	4	Screw



STRUCTURAL COMPONENTS - (CONT'D)  
 PATCH ENDS, PARTITIONS AND DIVIDERS - N6D/N6DR  
 Floating Plexiglas System Dividers



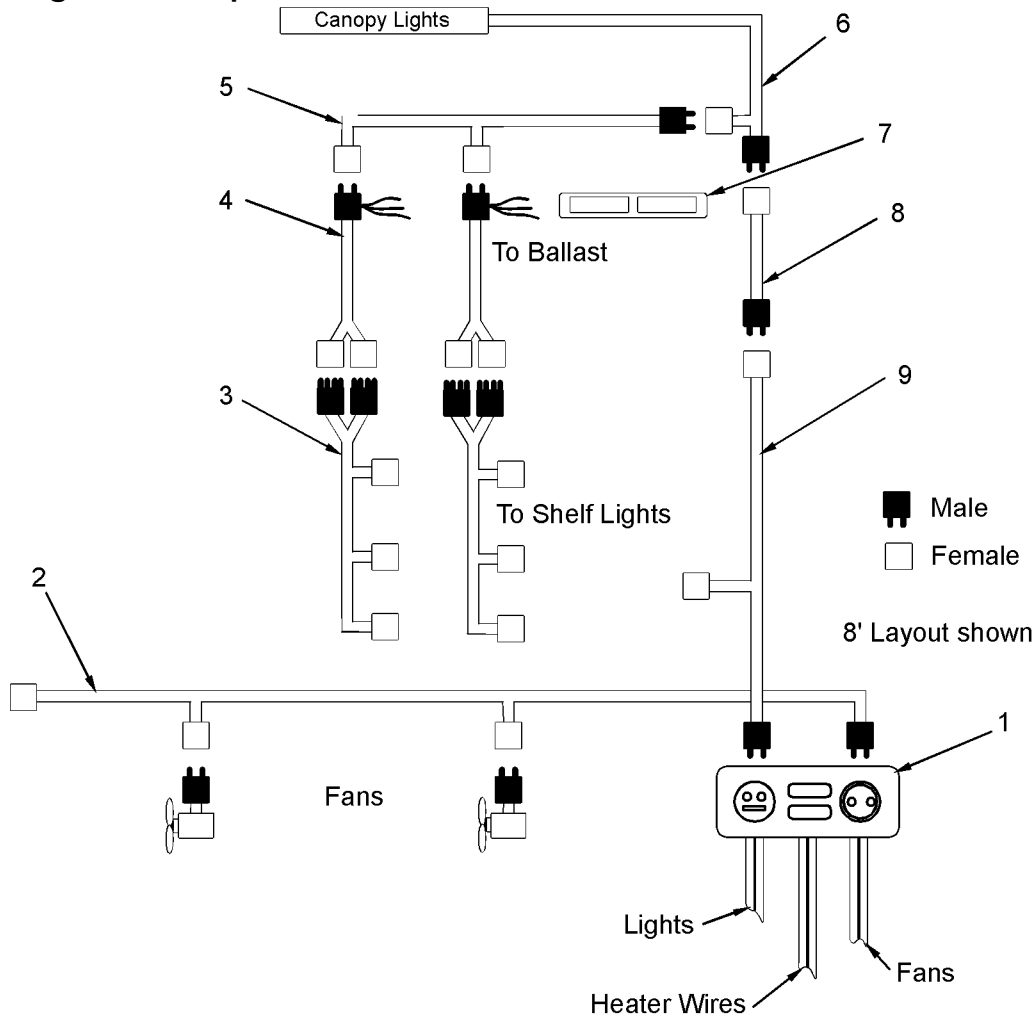
Item	Part No.	Qty.	Description	Item	Part No.	Qty.	Description
*	9302570	1	Floating Plexiglas Divider Assy. - N6DL/N6DLR		9302574	1	Plexiglas Partition - N6DM/N6DMR
*	9302571	1	Floating Plexiglas Divider Assy. - N6DM/N6DMR		9302575	1	Plexiglas Partition - N6DH
*	9302572	1	Floating Plexiglas Divider Assembly - N6DH	2	5111242	4	Screw
1	9302573	1	Plexiglas Partition - N6DL/N6DLR	3	5051803	1	Top Plexiglas Retainer
				4	5100650	4	Nut
				5	5183536	4	Screw
				6	5219621	1	Bottom Clip
				7	5111242	2	Screw
				8	5100650	2	Nut
				9	5183536	2	Screw



# ELECTRICAL SYSTEM COMPONENTS

## WIRING HARNESSSES - N6D/N6DR

### Wiring and Components

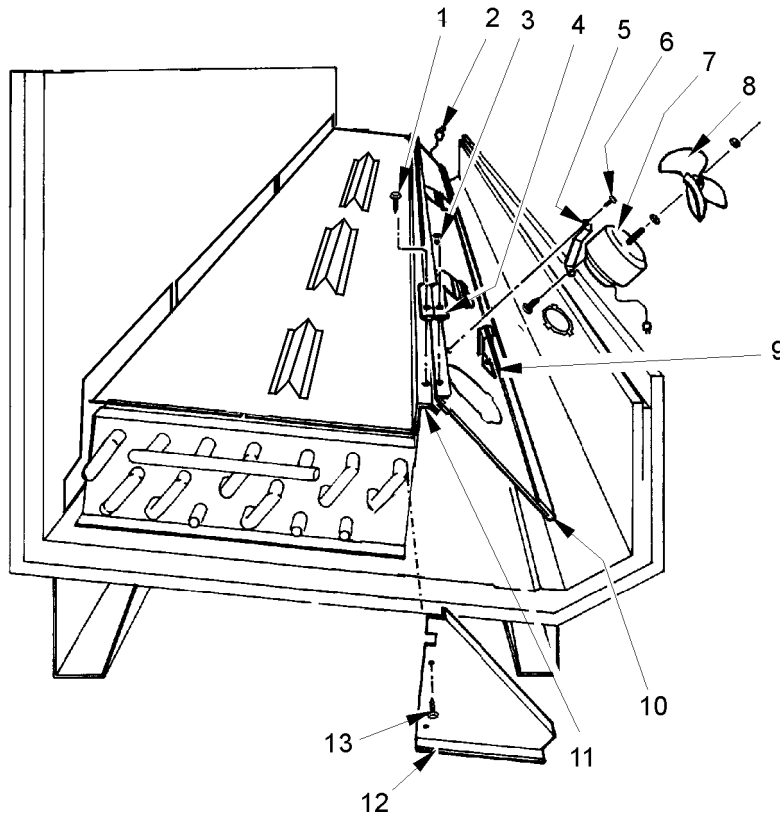


### 4', 6', 8' and 12' Merchandiser

Item	Part No.	Quantity				Description	Item	Part No.	Quantity				Description
		4'	6'	8'	12'				4'	6'	8'	12'	
1	9041307	1	1	1	1	Input Harness, 115V	*	9026431	-	-	-	1	T-8 Shelf Ballast Assy, 4-Lamp 115V
2	5211558	1	1	1	-	Fan Harness	*	9026428	1	1	1	1	T-8 Shelf Ballast Assy, 4-Lamp 220V
	5211559	-	-	-	1	Fan Harness	*	9026429	-	-	-	1	T-8 Shelf Ballast Assy, 4-Lamp 220V
3	9025918	2	2	2	3	Rear Duct Harness, WHT		5966635	2	2	2	3	T-8 Ballast, 4-Lamp 115V
	9028121	2	2	2	3	Rear Duct Harness, BLK		9028439	2	2	2	3	T-8 Ballast, 4-Lamp 220V
4	9041939	2	2	2	3	Top Duct Harness WHT		9025990	1	1	1	2	Bracket
	9303058	1	1	1	1	Harness, Opt. 5th Row WHT		5100379	4	4	4	6	Screw
	9028121	2	2	2	3	Top Duct Harness BLK		5100661	4	4	4	6	Nut
	9028121	1	1	1	1	Harness, Opt. 5th Row BLK		5100970	4	4	4	6	Washer
5	9026529	1	1	1	2	Shelf Power Feed Harness		5101000	4	4	4	6	Lockwasher
6	9041309	1	1	1	1	Light Switch Harness		5103997	4	4	4	6	Lockwasher, Ext Tooth
	5220486	-	-	-	1	Shelf Supply Harness	8	5210919	1	1	1	1	Canopy Light Harness
7	5966635	2	2	2	3	T-8 Ballast, 4-Lamp 115V	9	9041308	1	1	1	1	Light Supply Harness
	9028439	2	2	2	3	T-8 Ballast, 4-Lamp 220V							
*	9026430	1	1	1	1	T-8 Shelf Ballast Assy, 4-Lamp 115V							



ELECTRICAL SYSTEM COMPONENTS - (CONT'D)  
 FAN SYSTEMS - N6D/N6DR



4', 6', 8' and 12' Merchandiser

Item	Part No.	Quantity				Description	Item	Part No.	Quantity				Description
		4'	6'	8'	12'				4'	6'	8'	12'	
1	5183536	4	6	8	12	Screw	5183536	2	2	2	4	Screw	
2	5211558	1	1	1	-	Fan Harness	5122007	1	2	2	3	Strain Relief	
	5211559	-	-	-	1	Fan Harness	5206177	1	2	2	3	Fan Harness Clip	
3	5183536	6	6	8	12	Screw	5183536	2	2	2	3	Screw	
4	5186058	3	3	4	6	Fan Panel Hinge	5107190	68"	82"	106"	108"	Gasket	
*	<b>5643566</b>	<b>1</b>	<b>2</b>	<b>2</b>	<b>3</b>	<b>Fan Motor Assy.</b>	10	9311756	1	-	-	-	Fan Panel
5	5205112	3	6	6	9	Fan Motor Bracket	9036399	-	1	-	-	Fan Panel	
	9041077	1	2	2	3	Fan Bracket MTG Plate	9036400	-	-	1	-	Fan Panel	
6	5224128	3	3	3	9	Screw	9036401	-	-	-	1	Fan Panel	
8	5243498	1	2	2	3	Fan Motor, 9W 115V/60HZ	5183536	4	4	4	4	Screw	
	5223696	1	2	2	3	Fan Motor, 18.3W 220V/50HZ	9034995	1	1	1	1	Access Cover	
8	5643563	1	2	2	3	Fan Blade- 115V/60HZ	11	9311744	1	-	-	-	Fan Panel Retainer
	5054140	1	2	2	3	Fan Blade- 220V/50HZ	9036417	-	1	-	-	Fan Panel Retainer	
9	9036414	1	1	1	2	Fan Panel Stop	9036418	-	-	1	-	Fan Panel Retainer	
							9036419	-	-	-	1	Fan Panel Retainer	
							5183536	6	6	6	8	Screw	
							12	9036393	1	1	1	1	LH Fan Panel Close-off
								9036392	1	1	1	1	RH Fan Panel Close-off
							13	5183536	4	4	4	4	Screw

Hot Gas Options:

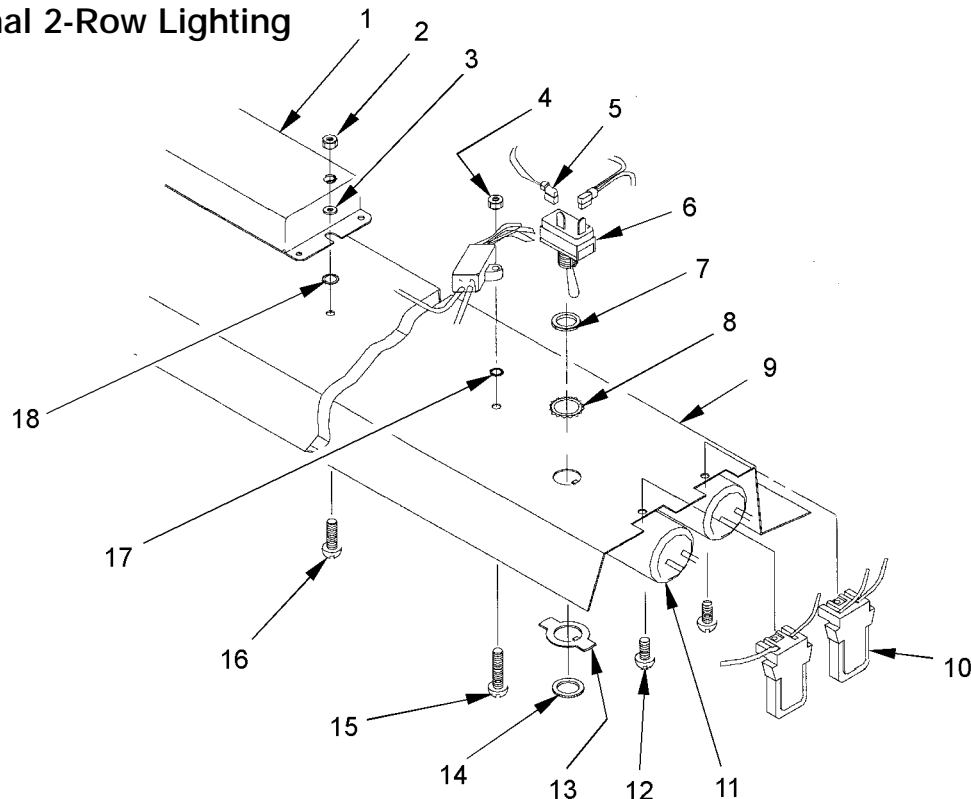
-	5239499	1	1	1	1	Fan Delay
---	---------	---	---	---	---	-----------



# ELECTRICAL SYSTEM COMPONENTS - (CONT'D)

## CANOPY LIGHTS - N6D/N6DR

### Optional 2-Row Lighting

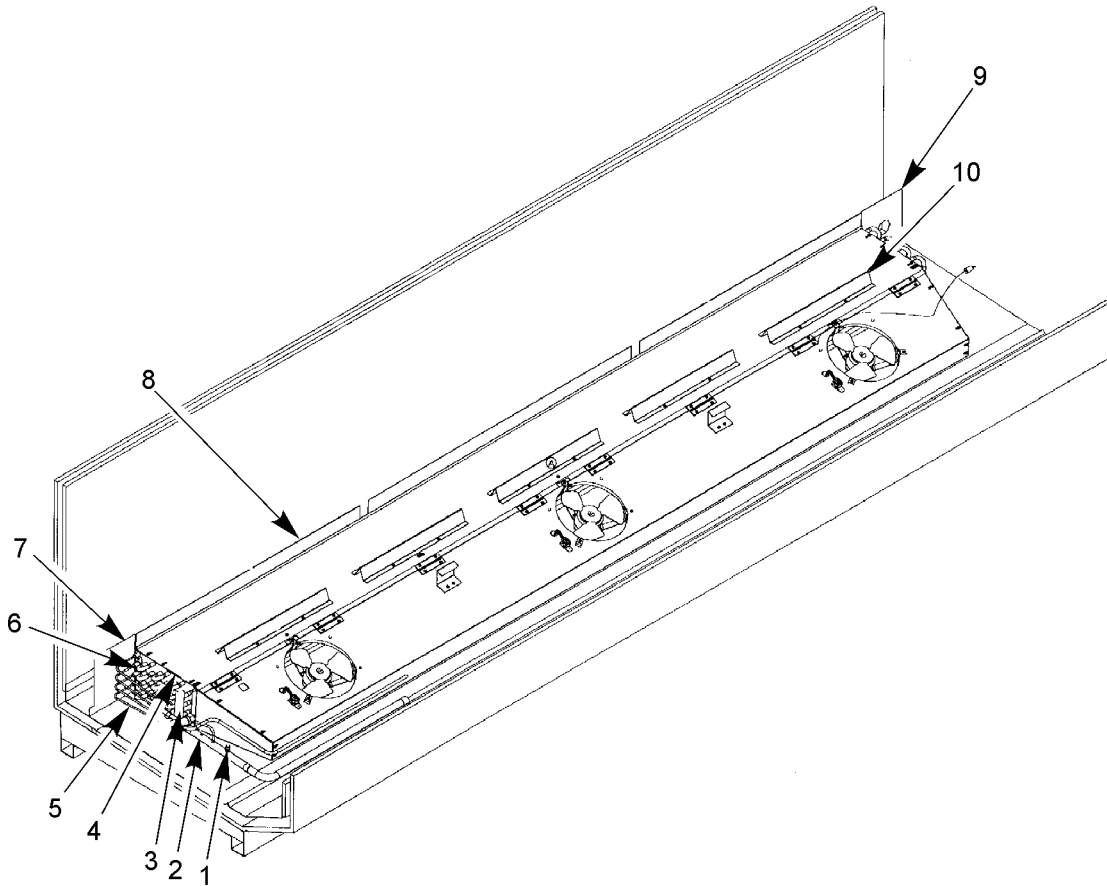


4', 6', 8' and 12' Merchandiser

Item	Part No.	Quantity				Description	Item	Part No.	Quantity				Description
		4'	6'	8'	12'				4'	6'	8'	12'	
	9311795	1	-	-	-	Light Channel Assy., 2-Row 800MA	6	5100565	1	1	1	1	Toggle Switch
*	9040277	-	1	-	-	Light Channel Assy., 2-Row 800MA	7	----	1	1	1	1	Nut (furn. w/switch)
*	9040281	-	-	1	-	Light Channel Assy., 2-Row 800MA	8	5211201	1	1	1	1	Washer, Shakeproof
*	9040285	-	-	-	1	Light Channel Assy., 2-Row 800MA	9	9311748	1	-	-	-	Light Channel 800 MA
*	9311796	1	-	-	-	Light Channel Assy., 2-Row T-8	9040240	-	1	-	-	-	Light Channel, 800MA
*	9040324	-	1	-	-	Light Channel Assy., 2-Row T-8	9040241	-	-	1	-	-	Light Channel, 800MA
*	9040326	-	-	1	-	Light Channel Assy., 2-Row T-8	9040242	-	-	-	1	-	Light Channel, 800MA
*	9040331	-	-	-	1	Light Channel Assy., 2-Row T-8	9303314	1	-	-	-	-	Light Channel, T-8
1	5049140	1	1	-	2	Ballast, 800MA	9040246	-	1	-	-	-	Light Channel, T-8
	5204769	1	-	1	-	Ballast, 800MA	9040247	-	-	1	-	-	Light Channel, T-8
	5966635	1	1	1	-	Ballast, T-8	9040248	-	-	-	1	-	Light Channel, T-8
	5991029	1	-	-	-	Ballast, T-8	10	5614628	2	2	2	4	Lampholder, TLSCP.
	5991030	-	-	-	2	Ballast, T-8	5614629	2	2	2	4	4	Lampholder, STA.
2	5100661	2	2	2	4	Nut	9041897	4	8	8	12	12	Lampholder, T-8
	5101000	2	2	2	4	Lockwasher	11	----	2	2	2	4	Fluorescent Lamp
3	5100973	2	2	2	4	Washer	12	5214107	4	4	4	8	Screw
4	5111198	1	1	1	1	Nut	13	----	1	1	1	1	Washer (furn. w/switch)
5	5211734	1	1	1	1	Connector, 90°	14	----	1	1	1	1	Nut (furn. w/switch)
							15	5183536	1	1	1	1	Screw
							16	5100379	2	2	2	4	Screw
							17	5211201	1	1	1	1	Washer, Shakeproof
							18	5103997	1	1	1	1	Washer, Shakeproof



# REFRIGERATION SYSTEM COMPONENTS COIL ASSEMBLIES - N6D/N6DR

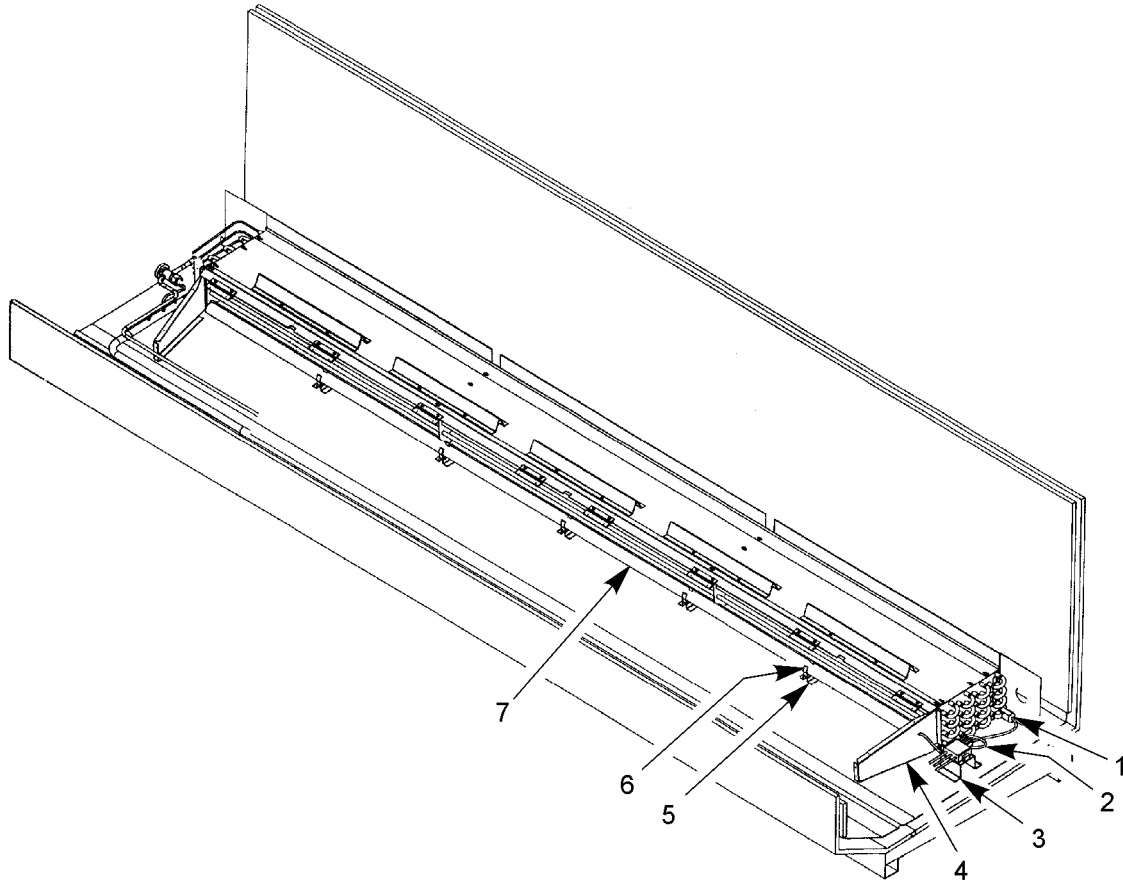


## 4', 6', 8' and 12' Merchandiser

Item	Part No.	Quantity				Description	Item	Part No.	Quantity				Description
		4'	6'	8'	12'				4'	6'	8'	12'	
1	5624902	1	1	1	1	Schrader Valve	7	9311785	1	-	-	-	LH RR Coil Close-off
2	9310009	1	1	1	1	Suction Line Assy.		9036391	-	1	1	1	LH RR Coil Close-off
3	9036424	1	1	1	1	Manifold Assy.		5183536	4	4	4	4	Screw
4	9311745	1	-	-	-	Top Coil Close-off	8	5107190	1	1	1	1	Foam Tape- 1/4"X3/4"X50' Roll
	9036407	-	1	-	-	Top Coil Close-off							
	9036408	-	-	1	-	Top Coil Close-off	9	9311784	1	-	-	-	RH RR Coil Close-off
	9036409	-	-	-	1	Top Coil Close-off		9036390	-	1	1	1	RH RR Coil Close-off
	5183536	6	12	18	24	Screw		5183536	4	4	4	4	Screw
5	9036425	-	4	4	4	Distributor Tube	10	9036411	1	3	3	5	Bottom Tray Retainer
	9311776	1	-	-	-	Tube, Suction							
6	9311741	1	-	-	-	Coil & Fittings Assy.							
	9303183	-	1	-	-	Coil & Fittings Assy.							
	9303184	-	-	1	-	Coil & Fittings Assy.							
	9303185	-	-	-	1	Coil & Fittings Assy.							



REFRIGERATION SYSTEM COMPONENTS - (CONT'D)  
ELECTRIC DEFROST - N6D/N6DR



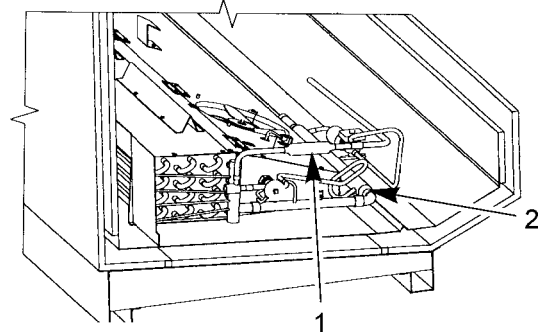
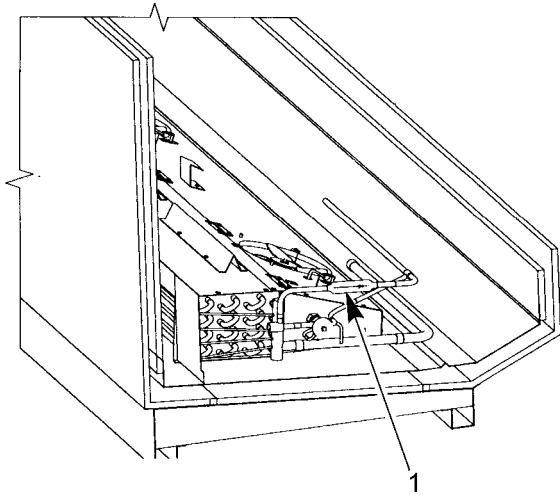
6', 8' and 12' Merchandiser

Item	Part No.	Quantity			Description
		6'	8'	12'	
1	9303214	1	1	1	Klixon Thermostat, 41/26
	9311179	1	1	1	OPTL Klixon Thermostat 70/30
2	5219930	1	1	1	Harness
3	9311357	1	1	1	Harness Supply Bracket
	5183536	4	4	4	Screw
4	9311356	1	1	1	RH Fan Panel Close-off
5	9311359	3	4	5	Heater Support
6	5104952	3	4	5	Prestole Clip
	5235217	1	1	1	Tape
7	9310403	1	-	-	Defrost Heater
	5124521	-	1	-	Defrost Heater
	5124522	-	-	1	Defrost Heater





REFRIGERATION SYSTEM COMPONENTS - (CONT'D)  
 OPTIONAL HOT GAS DEFROST Assemblies - N6D/N6DR



Item	Part No.	Qty.	Description
*	<b>9311162</b>	<b>1</b>	<b>Hot Gas Defrost Assy.</b>
1	5200228	1	Check Valve
	<b>9311185</b>	<b>1</b>	<b>Fan Delay Assy.</b>
	9303208	1	Klixon 50/40
	5224113	1	Harness
	5180826	1	Tie Cable
	<b>9040500</b>	<b>1</b>	<b>Hot Gas Termination Klixon Assy.</b>
	9023508	1	Klixon 55/40
	5106713	1	Clamp
	5198495	1	Plastic Sleeve
	5183536	1	Screw

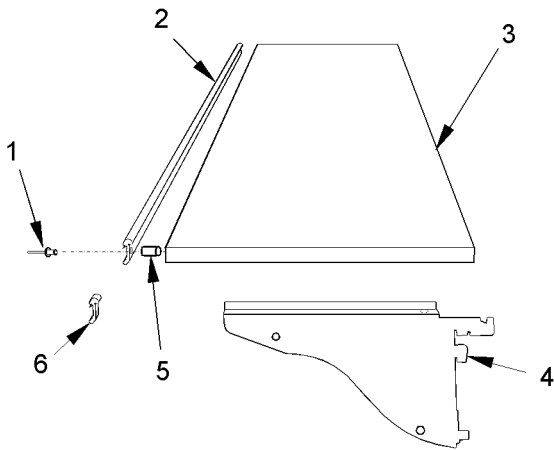
Item	Part No.	Qty.	Description
*	<b>9311160</b>	<b>1</b>	<b>Hot Gas Defrost Assy. w/Heat Exchanger</b>
1	5200228	1	Check Valve
2	5630401	1	Heat Exchanger
	<b>9311185</b>	<b>1</b>	<b>Fan Delay Assy.</b>
	9303208	1	Klixon 50/40
	5224113	1	Harness
	5180826	1	Tie Cable
	<b>9040500</b>	<b>1</b>	<b>Hot Gas Termination Klixon Assy.</b>
	9023508	1	Klixon 55/40
	5106713	1	Clamp
	5198495	1	Plastic Sleeve
	5183536	1	Screw

Item	Part No.	Qty.	Description
*	<b>9311163</b>	<b>1</b>	<b>Hot Gas Defrost Kit w/MTD Hand Valve</b>
1	5200228	1	Check Valve
	5620001	1	Hand Valve
	<b>9311185</b>	<b>1</b>	<b>Fan Delay Assy.</b>
	9303208	1	Klixon 50/40
	5224113	1	Harness
	5180826	1	Tie Cable
	<b>9040500</b>	<b>1</b>	<b>Hot Gas Termination Klixon Assy.</b>
	9023508	1	Klixon 55/40
	5106713	1	Clamp
	5198495	1	Plastic Sleeve
	5183536	1	Screw

Item	Part No.	Qty.	Description
*	<b>9311160</b>	<b>1</b>	<b>Hot Gas Defrost Assy. w/Heat Exchanger, MTD Filter &amp; Hand Valve</b>
1	5200228	1	Check Valve
2	5630401	1	Heat Exchanger
	5620001	1	Hand Valve
	5643107	1	Filter - 3/8" ODF
	<b>9311185</b>	<b>1</b>	<b>Fan Delay Assy.</b>
	9303208	1	Klixon 50/40
	5224113	1	Harness
	5180826	1	Tie Cable
	<b>9040500</b>	<b>1</b>	<b>Hot Gas Termination Klixon Assy.</b>
	9023508	1	Klixon 55/40
	5106713	1	Clamp
	5198495	1	Plastic Sleeve
	5183536	1	Screw



OPTIONAL CASE ACCESSORIES  
SHELF ASSEMBLIES - N6D/N6DR  
Optional 36" Wide Shelves w/o Lights



Item	Part No.	Qty.	Description
*	5986872	1	15" Shelf Assy., Ptd.
*	9021302	1	15" Shelf Assy., MB SS
*	9021294	1	15" Shelf Assy., BRT SS
*	9021278	1	15" Shelf Assy., WHT P
*	9021286	1	15" Shelf Assy., BLK P
*	5986873	1	18" Shelf Assy., Ptd.
*	9021303	1	18" Shelf Assy., MB SS
*	9021295	1	18" Shelf Assy., BRT SS
*	9021279	1	18" Shelf Assy., WHT P
*	9021287	1	18" Shelf Assy., BLK P
*	5986874	1	20" Shelf Assy., Ptd.
*	9021304	1	20" Shelf Assy., MB SS
*	9021296	1	20" Shelf Assy., BRT SS
*	9021280	1	20" Shelf Assy., WHT P
*	9021288	1	20" Shelf Assy., BLK P
*	5986875	1	22" Shelf Assy., Ptd.
*	9021305	1	22" Shelf Assy., MB SS
*	9021297	1	22" Shelf Assy., BRT SS
*	5643093	1	22" Shelf Assy., WHT P
*	9021289	1	22" Shelf Assy., BLK P

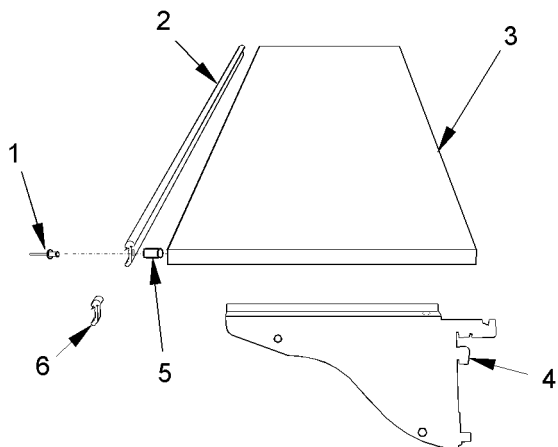
Item	Part No.	Qty.	Description
1	5144974	4	Rivet
2	5236909	1	Narrow Card Molding
*	5965239	1	15" Shelf Bench Assy., Ptd.
*	9027425	1	15" Shelf Bench Assy., MB SS
*	9027416	1	15" Shelf Bench Assy., BRT SS
*	9027482	1	15" Shelf Bench Assy., WHT P
*	9027406	1	15" Shelf Bench Assy., BLK P
*	5965240	1	18" Shelf Bench Assy., Ptd.
*	9027426	1	18" Shelf Bench Assy., MB SS
*	9027417	1	18" Shelf Bench Assy., BRT SS
*	9027483	1	18" Shelf Bench Assy., WHT P
*	9027407	1	18" Shelf Bench Assy., BLK P
*	5965241	1	20" Shelf Bench Assy., Ptd.
*	9027427	1	20" Shelf Bench Assy., MB SS
*	9027418	1	20" Shelf Bench Assy., BRT SS
*	9027484	1	20" Shelf Bench Assy., WHT P
*	9027408	1	20" Shelf Bench Assy., BLK P
*	5965242	1	22" Shelf Bench Assy., Ptd.
*	9027428	1	22" Shelf Bench Assy., MB SS
*	9027419	1	22" Shelf Bench Assy., BRT SS
*	5643103	1	22" Shelf Bench Assy., WHT P
*	9027409	1	22" Shelf Bench Assy., BLK P
3	5965234	1	15" x 36" Shelf, Ptd.
	5639253	1	15" x 36" Shelf, MB SS
	5998464	1	15" x 36" Shelf, BRT SS
	9027376	1	15" x 36" Shelf, WHT P
	5932169	1	15" x 36" Shelf, BLK P
	5965235	1	18" x 36" Shelf, Ptd.
	5639254	1	18" x 36" Shelf, MB SS
	5998465	1	18" x 36" Shelf, BRT SS
	9027377	1	18" x 36" Shelf, WHT P
	5932170	1	18" x 36" Shelf, BLK P
	5965236	1	20" x 36" Shelf, Ptd.
	5639255	1	20" x 36" Shelf, MB SS
	5998466	1	20" x 36" Shelf, BRT SS
	9027378	1	20" x 36" Shelf, WHT P
	5932171	1	20" x 36" Shelf, BLK P
	5965237	1	22" x 36" Shelf, Ptd.
	5639256	1	22" x 36" Shelf, MB SS
	5998467	1	22" x 36" Shelf, BRT SS
	5634104	1	22" x 36" Shelf, WHT P
	5932172	1	22" x 36" Shelf, BLK P
4	5185810	1	RH Shelf Bracket, 15" Ptd.
	5185811	1	LH Shelf Bracket, 15" Ptd.
	5088412	1	RH Shelf Bracket, 18" Ptd.
	5088413	1	LH Shelf Bracket, 18" Ptd.
	5185812	1	RH Shelf Bracket, 20" Ptd.
	5185813	1	LH Shelf Bracket, 20" Ptd.
	5185816	1	RH Shelf Bracket, 22" Ptd.
	5185817	1	LH Shelf Bracket, 22" Ptd.
5	5127438	4	Spacer
6	5941919	1	Card Molding Joint Trim



OPTIONAL CASE ACCESSORIES - (CONT'D)

SHELF ASSEMBLIES - N6D/N6DR

Optional 48" Wide Shelves w/o Lights



Item	Part No.	Qty.	Description
1	5144974	4	Rivet
2	5236879	1	Narrow Card Molding
*	5220638	1	15" Shelf Bench Assy., Ptd.
*	5955916	1	15" Shelf Bench Assy., MB SS
*	9027460	1	15" Shelf Bench Assy., BRT SS
*	5605588	1	15" Shelf Bench Assy., WHT P
*	5644274	1	15" Shelf Bench Assy., BLK P
*	5184620	1	18" Shelf Bench Assy., Ptd.
*	5955917	1	18" Shelf Bench Assy., MB SS
*	5619374	1	18" Shelf Bench Assy., BRT SS
*	5605589	1	18" Shelf Bench Assy., WHT P
*	5644275	1	18" Shelf Bench Assy., BLK P
*	5184621	1	20" Shelf Bench Assy., Ptd.
*	5955918	1	20" Shelf Bench Assy., MB SS
*	5619375	1	20" Shelf Bench Assy., BRT SS
*	5605590	1	20" Shelf Bench Assy., WHT P
*	5644276	1	20" Shelf Bench Assy., BLK P
*	5198722	1	22" Shelf Bench Assy., Ptd.
*	5237600	1	22" Shelf Bench Assy., MB SS
*	9027463	1	22" Shelf Bench Assy., BRT SS
*	5605591	1	22" Shelf Bench Assy., WHT P
*	5644277	1	22" Shelf Bench Assy., BLK P
3	5220612	1	15" x 48" Shelf, Ptd.
	5950571	1	15" x 48" Shelf, MB SS
	5944622	1	15" x 48" Shelf, BRT SS
	5237745	1	15" x 48" Shelf, WHT P
	5643509	1	15" x 48" Shelf, BLK P
	5220613	1	18" x 48" Shelf, Ptd.
	5950572	1	18" x 48" Shelf, MB SS
	5944623	1	18" x 48" Shelf, BRT SS
	5237746	1	18" x 48" Shelf, WHT P
	5643510	1	18" x 48" Shelf, BLK P
	5220614	1	20" x 48" Shelf, Ptd.
	5950573	1	20" x 48" Shelf, MB SS
	5944624	1	20" x 48" Shelf, BRT SS
	5237747	1	20" x 48" Shelf, WHT P
	5643511	1	20" x 48" Shelf, BLK P
	5220615	1	22" x 48" Shelf, Ptd.
	5603479	1	22" x 48" Shelf, MB SS
	5638612	1	22" x 48" Shelf, BRT SS
	5237748	1	22" x 48" Shelf, WHT P
	5644273	1	22" x 48" Shelf, BLK P
4	5185810	1	RH Shelf Bracket, 15" Ptd.
	5185811	1	LH Shelf Bracket, 15" Ptd.
	5088412	1	RH Shelf Bracket, 18" Ptd.
	5088413	1	LH Shelf Bracket, 18" Ptd.
	5185812	1	RH Shelf Bracket, 20" Ptd.
	5185813	1	LH Shelf Bracket, 20" Ptd.
	5185816	1	RH Shelf Bracket, 22" Ptd.
	5185817	1	LH Shelf Bracket, 22" Ptd.
5	5127438	4	Spacer
6	5941919	1	Card Molding Joint Trim

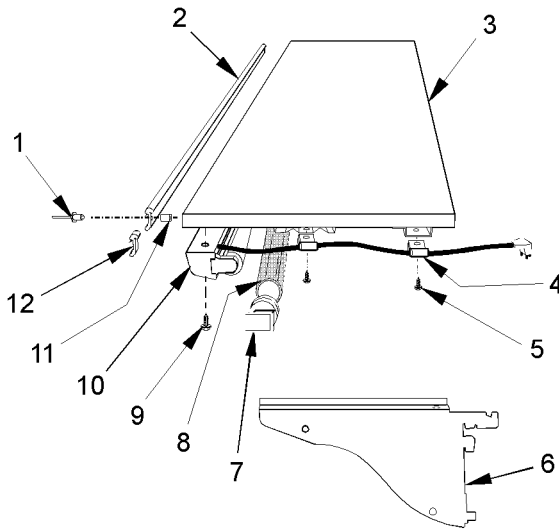
Item	Part No.	Qty.	Description
*	5619373	1	15" Shelf Assy., Ptd.
*	5955921	1	15" Shelf Assy., MB SS
*	9021262	1	15" Shelf Assy., BRT SS
*	5605593	1	15" Shelf Assy., WHT P
*	5644233	1	15" Shelf Assy., BLK P
*	5619374	1	18" Shelf Assy., Ptd.
*	5955922	1	18" Shelf Assy., MB SS
*	5957493	1	18" Shelf Assy., BRT SS
*	5605594	1	18" Shelf Assy., WHT P
*	5644234	1	18" Shelf Assy., BLK P
*	5619375	1	20" Shelf Assy., Ptd.
*	5955923	1	20" Shelf Assy., MB SS
*	5957494	1	20" Shelf Assy., BRT SS
*	5615595	1	20" Shelf Assy., WHT P
*	5644235	1	20" Shelf Assy., BLK P
*	5197679	1	22" Shelf Assy., Ptd.
*	5603500	1	22" Shelf Assy., MB SS
*	9021265	1	22" Shelf Assy., BRT SS
*	5605596	1	22" Shelf Assy., WHT P
*	5644236	1	22" Shelf Assy., BLK P



OPTIONAL CASE ACCESSORIES - (CONT'D)

SHELF ASSEMBLIES - N6D/N6DR

Optional 36" Wide Shelves w/ T-8 Lights



Item	Part No.	Qty.	Description
*	9020939	1	15" Lighted Shelf Assy., Ptd.
*	9021306	1	15" Lighted Shelf Assy., MB SS
*	9021298	1	15" Lighted Shelf Assy., BRT SS
*	9021282	1	15" Lighted Shelf Assy., WHT P
*	9021290	1	15" Lighted Shelf Assy., BLK P
*	9020940	1	18" Lighted Shelf Assy., Ptd.
*	9021307	1	18" Lighted Shelf Assy., MB SS
*	9021299	1	18" Lighted Shelf Assy., BRT SS
*	9021283	1	18" Lighted Shelf Assy., WHT P
*	9021291	1	18" Lighted Shelf Assy., BLK P
*	9020941	1	20" Lighted Shelf Assy., Ptd.
*	9021308	1	20" Lighted Shelf Assy., MB SS
*	9021300	1	20" Lighted Shelf Assy., BRT SS
*	9021284	1	20" Lighted Shelf Assy., WHT P
*	9021292	1	20" Lighted Shelf Assy., BLK P
*	9020942	1	22" Lighted Shelf Assy., Ptd.
*	9021309	1	22" Lighted Shelf Assy., MB SS
*	9021301	1	22" Lighted Shelf Assy., BRT SS
*	9021285	1	22" Lighted Shelf Assy., WHT P
*	9021293	1	22" Lighted Shelf Assy., BLK P
1	5144974	4	Rivet
2	5236909	1	Narrow Card Molding
*	9026434	1	15" LT Shlf Bench Assy., Ptd.
*	9027430	1	15" LT Shlf Bench Assy., MB SS
*	9027412	1	15" LT Shlf Bench Assy., BRT SS
*	9027368	1	15" LT Shlf Bench Assy., WHT P
*	9027364	1	15" LT Shlf Bench Assy., BLK P
*	9026435	1	18" LT Shlf Bench Assy., Ptd.
*	9027431	1	18" LT Shlf Bench Assy., MB SS
*	9027413	1	18" LT Shlf Bench Assy., BRT SS
*	9027369	1	18" LT Shlf Bench Assy., WHT P
*	9027365	1	18" LT Shlf Bench Assy., BLK P
*	9026436	1	20" LT Shlf Bench Assy., Ptd.

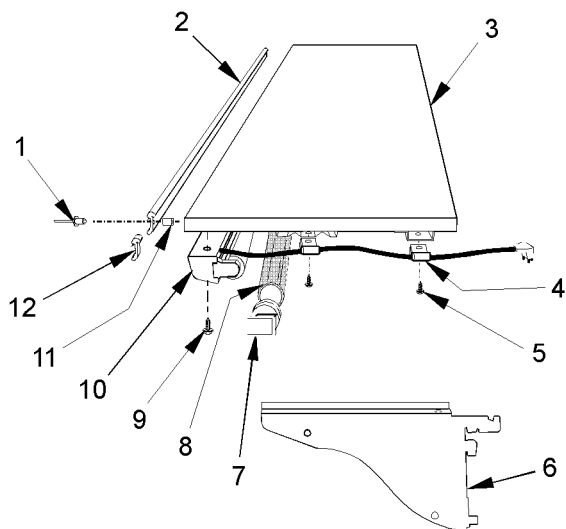
Item	Part No.	Qty.	Description
*	9027432	1	20" LT Shlf Bench Assy., MB SS
*	9027414	1	20" LT Shlf Bench Assy., BRT SS
*	9027370	1	20" LT Shlf Bench Assy., WHT P
*	9027366	1	20" LT Shlf Bench Assy., BLK P
*	9026437	1	22" LT Shlf Bench Assy., Ptd.
*	9027433	1	22" LT Shlf Bench Assy., MB SS
*	9027415	1	22" LT Shlf Bench Assy., BRT SS
*	9027371	1	22" LT Shlf Bench Assy., WHT P
*	9027367	1	22" LT Shlf Bench Assy., BLK P
3	5965234	1	15" x 36" Shelf, Ptd.
	5639253	1	15" x 36" Shelf, MB SS
	5998464	1	15" x 36" Shelf, BRT SS
	9027376	1	15" x 36" Shelf, WHT P
	5932169	1	15" x 36" Shelf, BLK P
	5965235	1	18" x 36" Shelf, Ptd.
	5639254	1	18" x 36" Shelf, MB SS
	5998465	1	18" x 36" Shelf, BRT SS
	9027377	1	18" x 36" Shelf, WHT P
	5932170	1	18" x 36" Shelf, BLK P
	5965236	1	20" x 36" Shelf, Ptd.
	5639255	1	20" x 36" Shelf, MB SS
	5998466	1	20" x 36" Shelf, BRT SS
	9027378	1	20" x 36" Shelf, WHT P
	5932171	1	20" x 36" Shelf, BLK P
	5965237	1	22" x 36" Shelf, Ptd.
	5639256	1	22" x 36" Shelf, MB SS
	5998467	1	22" x 36" Shelf, BRT SS
	5634104	1	22" x 36" Shelf, WHT P
	5932172	1	22" x 36" Shelf, BLK P
4	5100902	2	Clip
5	5619204	2	Screw
6	5185810	1	RH Shelf Bracket, 15" Ptd.
	5185811	1	LH Shelf Bracket, 15" Ptd.
	5088412	1	RH Shelf Bracket, 18" Ptd.
	5088413	1	LH Shelf Bracket, 18" Ptd.
	5185812	1	RH Shelf Bracket, 20" Ptd.
	5185813	1	LH Shelf Bracket, 20" Ptd.
	5185816	1	RH Shelf Bracket, 22" Ptd.
	5185817	1	LH Shelf Bracket, 22" Ptd.
7	5981627	2	Lampshield Cap
8	5987030	1	Lampshield, T-8
9	5183536	3	Screw
10	9026433	1	Light Channel Assy., Ptd.
	9027393	1	Light Channel Assy., MB SS
	9027392	1	Light Channel Assy., BRT SS
	9025985	1	Light Channel, Ptd.
	9027491	1	Light Channel, MB SS
	9027490	1	Light Channel, BRT SS
	9027906	1	Shelf Harness (furn. w/lampholders)
	5217544	2	Replacement Lampholder
11	5127438	4	Spacer
12	5941919	1	Card Molding Joint Trim



OPTIONAL CASE ACCESSORIES - (CONT'D)

SHELF ASSEMBLIES - N6D/N6DR

Optional 48" Wide Shelves w/ T-8 Lights

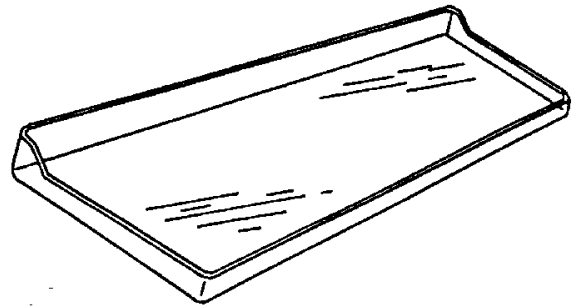
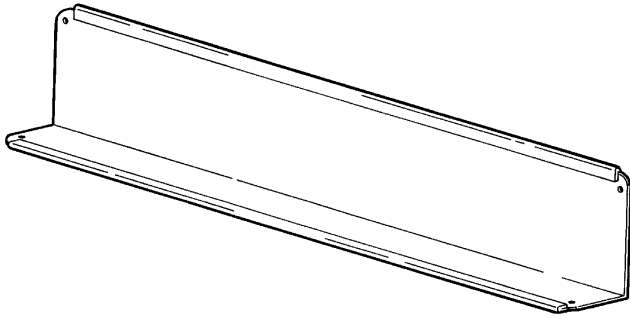


Item	Part No.	Qty.	Description
*	9027447	1	20" LT Shlf Bench Assy., MB SS
*	9027457	1	20" LT Shlf Bench Assy., BRT SS
*	9027357	1	20" LT Shlf Bench Assy., WHT P
*	9027362	1	20" LT Shlf Bench Assy., BLK P
*	9026109	1	22" LT Shlf Bench Assy., Ptd.
*	9027448	1	22" LT Shlf Bench Assy., MB SS
*	9027458	1	22" LT Shlf Bench Assy., BRT SS
*	9027358	1	22" LT Shlf Bench Assy., WHT P
*	9027363	1	22" LT Shlf Bench Assy., BLK P
3	5220612	1	15" x 48" Shelf, Ptd.
	5950571	1	15" x 48" Shelf, MB SS
	5944622	1	15" x 48" Shelf, BRT SS
	5237745	1	15" x 48" Shelf, WHT P
	5643509	1	15" x 48" Shelf, BLK P
	5220613	1	18" x 48" Shelf, Ptd.
	5950572	1	18" x 48" Shelf, MB SS
	5944623	1	18" x 48" Shelf, BRT SS
	5237746	1	18" x 48" Shelf, WHT P
	5643510	1	18" x 48" Shelf, BLK P
	5220614	1	20" x 48" Shelf, Ptd.
	5950573	1	20" x 48" Shelf, MB SS
	5944624	1	20" x 48" Shelf, BRT SS
	5237747	1	20" x 48" Shelf, WHT P
	5643511	1	20" x 48" Shelf, BLK P
	5220615	1	22" x 48" Shelf, Ptd.
	5603479	1	22" x 48" Shelf, MB SS
	5638612	1	22" x 48" Shelf, BRT SS
	5237748	1	22" x 48" Shelf, WHT P
	5644273	1	22" x 48" Shelf, BLK P
	5100902	2	Clip
	5619204	2	Screw
	5185810	1	RH Shelf Bracket, 15" Ptd.
	5185811	1	LH Shelf Bracket, 15" Ptd.
	5088412	1	RH Shelf Bracket, 18" Ptd.
	5088413	1	LH Shelf Bracket, 18" Ptd.
	5185812	1	RH Shelf Bracket, 20" Ptd.
	5185813	1	LH Shelf Bracket, 20" Ptd.
	5185816	1	RH Shelf Bracket, 22" Ptd.
	5185817	1	LH Shelf Bracket, 22" Ptd.
	5981627	2	Lampshield Cap
	5981622	1	Lampshield, T-8
	5183536	3	Screw
10	9026104	1	Light Channel Assy., Ptd.
	9027391	1	Light Channel Assy., MB SS
	9027390	1	Light Channel Assy., BRT SS
	9025984	1	Light Channel, Ptd.
	9027486	1	Light Channel, MB SS
	9027487	1	Light Channel, BRT SS
	9027906	1	Shelf Harness (furn. w/lampholders)
	5217544	2	Replacement Lampholder
	5127438	4	Spacer
	5941919	1	Card Molding Joint Trim

Item	Part No.	Qty.	Description
*	9020935	1	15" Lighted Shelf Assy., Ptd.
*	9021274	1	15" Lighted Shelf Assy., MB SS
*	9021266	1	15" Lighted Shelf Assy., BRT SS
*	9021250	1	15" Lighted Shelf Assy., WHT P
*	9021258	1	15" Lighted Shelf Assy., BLK P
*	9020936	1	18" Lighted Shelf Assy., Ptd.
*	9021275	1	18" Lighted Shelf Assy., MB SS
*	9021267	1	18" Lighted Shelf Assy., BRT SS
*	9021251	1	18" Lighted Shelf Assy., WHT P
*	9021259	1	18" Lighted Shelf Assy., BLK P
*	9020937	1	20" Lighted Shelf Assy., Ptd.
*	9021276	1	20" Lighted Shelf Assy., MB SS
*	9021268	1	20" Lighted Shelf Assy., BRT SS
*	9021252	1	20" Lighted Shelf Assy., WHT P
*	9021260	1	20" Lighted Shelf Assy., BLK P
*	9020938	1	22" Lighted Shelf Assy., Ptd.
*	9021277	1	22" Lighted Shelf Assy., MB SS
*	9021269	1	22" Lighted Shelf Assy., BRT SS
*	9021253	1	22" Lighted Shelf Assy., WHT P
*	9021261	1	22" Lighted Shelf Assy., BLK P
1	5144974	4	Rivet
2	5236879	1	Narrow Card Molding
*	9026106	1	15" LT Shlf Bench Assy., Ptd.
*	9027445	1	15" LT Shlf Bench Assy., MB SS
*	9027455	1	15" LT Shlf Bench Assy., BRT SS
*	9027355	1	15" LT Shlf Bench Assy., WHT P
*	9027360	1	15" LT Shlf Bench Assy., BLK P
*	9026107	1	18" LT Shlf Bench Assy., Ptd.
*	9027446	1	18" LT Shlf Bench Assy., MB SS
*	9027456	1	18" LT Shlf Bench Assy., BRT SS
*	9027356	1	18" LT Shlf Bench Assy., WHT P
*	9027361	1	18" LT Shlf Bench Assy., BLK P
*	9026108	1	20" LT Shlf Bench Assy., Ptd.



**OPTIONAL CASE ACCESSORIES - (CONT'D)  
 DIVIDERS, SHELF TRAYS AND BOTTOM TRAYS**

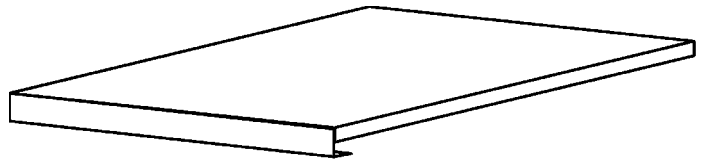
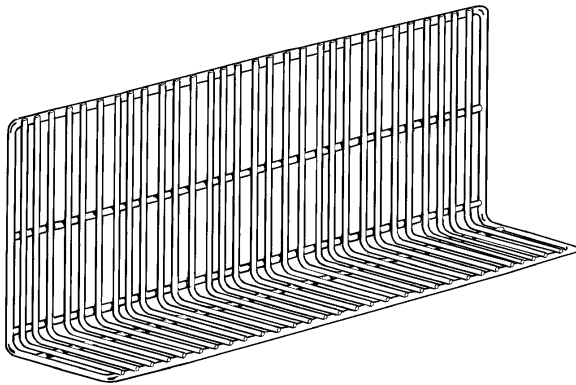


**Optional "L" Solid Divider**

Item	Part No.	Qty.	Description
-	5638901	1	"L" Solid Divider, WHT Ptd.

**Optional Shelf Trays**

Item	Part No.	Qty.	Description
-	5605365	1	15" Shelf Tray, Closed Ends
-	5605366	1	15" Shelf Tray

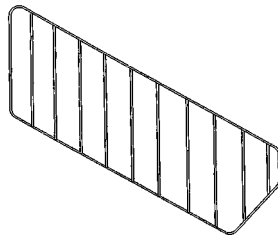
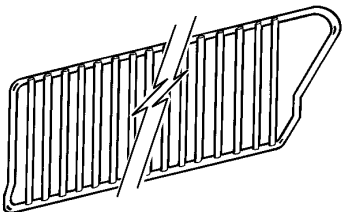


**Optional "L" Wire Divider**

Item	Part No.	Qty.	Description
-	5208276	1	"L" Wire Divider, WHT PWR

**Bottom Trays**

Item	Part No.	Qty.	Description
-	5052420	1	Bottom Tray, CRPL 23 27/32" W x 31 7/32" L- Standard
-	5218818	1	Bottom Tray, MB SS 23 27/32" W x 31 7/32" L- Optional
-	5948631	1	Bottom Tray, BRT SS 23 27/32" W x 31 7/32" L- Optional

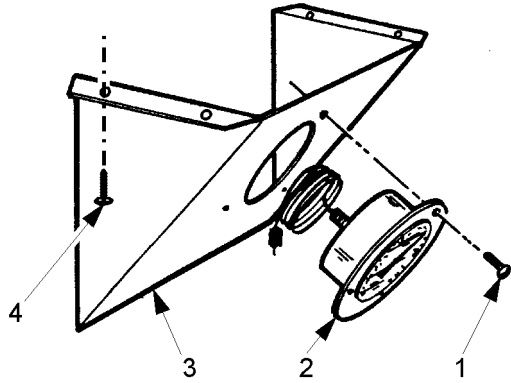


**Optional Wire Shelf Dividers**

Item	Part No.	Qty.	Description
-	5188224	1	Wire Shelf Bin Divider, CRPL
-	5644322	1	Wire Shelf Basket Divider, BLK PWR

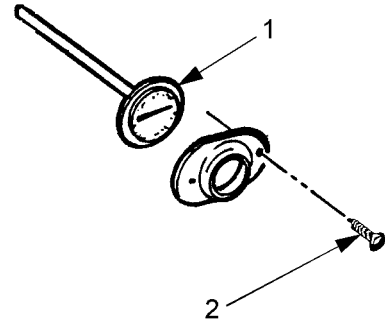
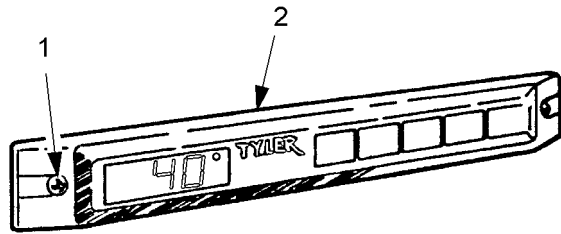


CASE ACCESSORIES - (CONT'D)  
THERMOMETERS- OPTL & STD



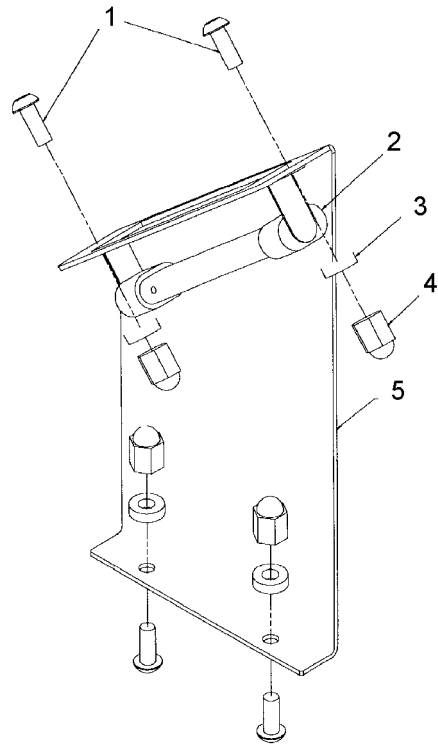
**2" Dial Thermometer (Top Shelf)**

Item	Part No.	Qty.	Description
*	9030269	1	Thermometer Assembly-White Face Dial
*	9030270	1	Thermometer Assembly-Black Face Dial
1	5111242	3	Screw
2	5204006	1	2" Dial Thermometer-White
	9035362	1	2" Dial Thermometer-Black
3	5204762	1	Thermometer Housing
4	5199134	4	Screw



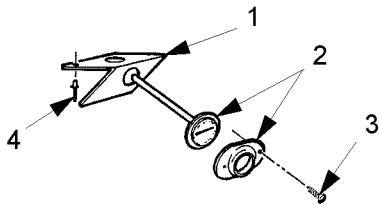
**1" Dial Thermometer (Return Air)**

Item	Part No.	Qty.	Description
*	5954726	1	Thermometer Assembly
1	5203829	1	1" Dial Thermometer
2	5219883	4	Screw
	5954725	1	Bracket



**Solar Digital Thermometers**

Item	Part No.	Qty.	Description
1	9302637	2	Screw
2	5239500	1	Solar Digital Thermometer-F°
	5239501	1	Solar Digital Thermometer-C°



**1" Dial Thermometer (Discharge Air)**

Item	Part No.	Qty.	Description
*	5204748	1	Thermometer Assembly
1	5207843	1	Thermometer Support
2	5203829	1	1" Dial Thermometer
	----	1	Mounting Ring (furnished with thermometer)
3	5219883	2	Screw
4	5104702	2	Rivet

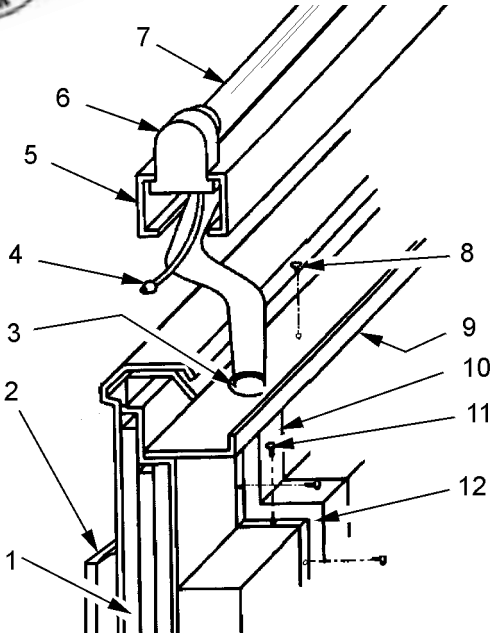
**Standard Thermometer**

Item	Part No.	Qty.	Description
*	9311126	1	Thermometer Assembly
1	9311125	4	Screw
2	5967100	1	Thermometer
3	5103997	4	Lock Washer
4	5223244	4	Acorn Nut
5	9303113	1	Bracket



# OPTIONAL CASE ACCESSORIES - (CONT'D)

## Optional Nose Light



**800 MA 1 Row, 800 MA 2 Row & T8 2 Row**

Item	Part No.	Quantity				Description
		4'	6'	8'	12'	
1	9311789	1	-	-	-	Body Unit, N6DL
	9301478	-	-	-	-	Body Unit, N6DL,M
	9301479	-	-	1	-	Body Unit, N6DL,M
	9301480	-	-	-	1	Body Unit, N6DL,M
	9301481	-	1	-	-	Body Unit, N6DH
	9301482	-	-	1	-	Body Unit, N6DH
	9301483	-	-	-	1	Body Unit, N6DH
2	9311746	1	-	-	-	FRT Cladding, N6DL
	9301433	-	1	-	-	FRT Cladding, N6DL
	9301434	-	-	1	-	FRT Cladding, N6DL
	9301435	-	-	-	1	FRT Cladding, N6DL
	9025647	-	1	-	-	FRT Cladding, N6DM
	9025648	-	-	1	-	FRT Cladding, N6DM
3	5123674	1	1	1	1	Strain Relief
4	5211617	1	1	1	1	Harness
<b>1 ROW 800MA</b>						
*	9301509	-	1	-	-	LT CHAN Assy.
*	9301510	-	-	1	-	LT CHAN Assy.
*	9301511	-	-	-	1	LT CHAN Assy.
5	5646137	-	1	-	-	Light Channel
	5646138	-	-	1	-	Light Channel
	5646139	-	-	-	1	Light Channel
6	5614628	1	1	1	2	TLSCP Lampholder
	5614629	1	1	1	2	STA Lampholder
	5111197	2	2	2	4	Screw, #8-32 RD HD
<b>2 ROW 800MA</b>						
*	9311795	1	-	-	-	LT CHAN Assy.
*	9040280	-	1	-	-	LT CHAN Assy.
*	9040282	-	-	1	-	LT CHAN Assy.
*	9040286	-	-	-	1	LT CHAN Assy.
5	9311748	1	-	-	-	Light Channel
	9040240	-	1	-	-	Light Channel
	9040241	-	-	1	-	Light Channel
	9040242	-	-	-	1	Light Channel
	5049140	1	1	1	3	Ballast
	5204769	-	1	1	-	Ballast

Item	Part No.	Quantity				Description
		4'	6'	8'	12'	
6	5614628	2	2	2	4	TLSCP Lampholder
	5614629	2	2	2	4	STA Lampholder
<b>2 Row T8</b>						
*	9311796	1	-	-	-	LT CHAN Assy.
*	9040323	-	1	-	-	LT CHAN Assy.
*	9040327	-	-	1	-	LT CHAN Assy.
*	9040330	-	-	-	1	LT CHAN Assy.
5	9303314	1	-	-	-	Light Channel
	9040246	-	1	-	-	Light Channel
	9040247	-	-	1	-	Light Channel
	9040248	-	-	-	1	Light Channel
6	9041897	4	4	4	8	Lampholder T8
<b>ALL</b>						
	5100565	1	1	1	1	Toggle Switch
	5185153	2	2	2	4	Screw, #8-32 RD PHL
	5100379	4	4	4	6	Screw, #10-24 PHL PN HD
	5103996	1	1	1	1	Lockwasher INTL TH, #8
	5103997	4	4	4	6	Lockwasher INTL TH, *#10
	5100661	4	4	4	6	Hex Nut, #10-24
	5100973	4	4	4	6	Flat Washer, 1/4"
	5101000	4	4	4	6	Lockwasher, 1/4"
	5211201	1	1	1	1	Lockwasher INTL TH -ZC
	5214107	4	4	4	4	Screw, #6-32 RN HD
	9041896	16	16	16	24	Connector
	9042062	9'	9'	9'	9'	Wire, Yellow
	9042063	9'	9'	9'	9'	Wire, Blue
	9042064	-	-	-	13'	Wire, Red
	9042066	-	-	-	8'	Wire, White
	9042065	-	-	-	8'	Wire, Black
	5966635	1	1	1	-	Ballast
	5991029	1	1	1	-	Ballast
	5991030	-	-	-	1	Ballast
	9041894	1	1	1	1	Harness
	5211574	-	-	1	1	Harness
	9311781	1	-	-	-	Light Channel Support
	5990148	-	1	-	-	Light Channel Support
	5636179	-	-	1	-	Light Channel Support
	5636180	-	-	-	1	Light Channel Support
7	9311791	1	-	-	-	Lamp Guard
	5216726	-	1	-	-	Lamp Guard
	5203872	-	-	1	-	Lamp Guard
	5203873	-	-	-	1	Lamp Guard
	5981627	4	4	4	8	Cap, T8 only
8	5183536	-	10	12	16	Screw
9		1	-	-	-	Front Support N6DL
	5990146	-	1	-	-	Front Support N6DL
	5636177	-	-	1	-	Front Support N6DL
	5636178	-	-	-	1	Front Support N6DL
	5637647	-	1	-	-	Front Support N6DMH
	5212110	-	-	1	-	Front Support N6DMH
	5212111	-	-	-	1	Front Support N6DMH
10	5212088	1	1	1	1	UPR Harness CVR, N6DL,M
11	5183536	6	6	6	6	Screw
12	5212089	-	1	1	1	LWR Harness CVR, N6DH
<b>Items NOT Illustrated</b>						
	5636190	4	4	4	7	Front Duct Support
	5198958	6	6	6	9	Front Duct Clip
	5636181	2	3	4	6	Lower Tray
	5637640	-	1	-	-	Foam CVR, N6DMH
	5212106	-	-	1	-	Foam CVR, N6DMH
	5212107	-	-	-	1	Foam CVR, N6DMH