

# TYLER

REFRIGERATION



**Carrier**

A United Technologies Company

# A<sup>series</sup> Advantage

# Installation & Service Manual



## **N6D(L/M/H/LR/MR), N6DN(L/M/H)**

### **MULTI-SHELF DAIRY/DELI/PRODUCE/JUICE MERCHANDISER Medium Temperature Self Serve Display Cases**

**This manual has been designed to be used in conjunction with the  
General (UL/NSF) Installation & Service Manual.**

**Save the Instructions in Both Manuals for Future Reference!!**

This merchandiser conforms to the American National Standard Institute & NSF International Health and Sanitation standard ANSI/NSF 7 - 2003.

PRINTED IN U.S.A.	Specifications subject to change without notice.	REPLACES EDITION	11/06	ISSUE DATE	6/07	PART NO.	9037145	REV.	F
-------------------	--	------------------	-------	------------	------	----------	---------	------	---

**CONTENTS**

	<u>Page</u>
<b>Specifications</b>	
N6DL/N6DM/ N6DH/ N6DLR/ N6DMR Specification Sheets . . . . .	4
N6DNL/N6DNM/N6DNH Specification Sheets . . . . .	7
<b>Pre-installation Responsibilities . . . . .</b>	(See General-UL/NSF I&S Manual)
<b>Installation Procedures</b>	
<b>Carpentry Procedures . . . . .</b>	9
Case Pull-Up Locations . . . . .	9
Joining Rear Load Cases to Coolers . . . . .	9
<b>Electrical Procedures . . . . .</b>	10
<b>Plumbing Procedures . . . . .</b>	(See General-UL/NSF I&S Manual)
<b>Refrigeration Procedures . . . . .</b>	(See General-UL/NSF I&S Manual)
<b>Defrost Information . . . . .</b>	10
Defrost Control Charts . . . . .	10
<b>Installation Procedure Check Lists (See Gen.-UL/NSF I&amp;S Manual)</b>	
<b>Wiring Diagrams . . . . .</b>	10
N6D(L, M) Domestic & Export (50 Hz) Case Circuits (4' Cases) . .	11
N6D Domestic & Export (50 Hz) Case Circuits (6' & 8' Cases) . .	13
N6D Domestic & Export (50 Hz) Case Circuits (12' Cases) . . . . .	15
N6DNL Domestic & Export (50 Hz) Case Circuits (4' Cases) . . . . .	17
N6DN Domestic & Export (50 Hz) Case Circuits (6' & 8' Cases) . .	19
N6DN Domestic & Export (50 Hz) Case Circuits (12' Cases) . . . . .	21
<b>Cleaning and Sanitation . . . . .</b>	(See General-UL/NSF I&S Manual)
<b>Component Removal and Installation Instructions for Cleaning</b>	23
Shelves and Shelf Brackets . . . . .	23
Bottom Trays . . . . .	23
Front Air Ducts . . . . .	23
Rear Duct Panels . . . . .	23
Discharge Air Honeycomb . . . . .	23
Top Duct . . . . .	23
Front Cladding . . . . .	24
<b>Cleaning Instructions . . . . .</b>	24
<b>Stainless Steel Cleaning Methods . . . . .</b>	24

	<u>Page</u>
<b>General Information</b> .....	26
NSF Product Thermometer Installation .....	26
Egg Merchandiser Kit .....	26
Peg Bar Information .....	27
Peg Bar Information for Cannon Magna Bar Peg Display Systems .....	28
Rear Load Air Close-Off Information (N6DLR, N6DMR) .....	29
<b>Service Instructions</b> .....	30
Preventive Maintenance .....	(See General-UL/NSF I&S Manual)
Ballast and Lighting Locations .....	30
Defrost Heater Replacement .....	30
<b>Parts Information</b>	
Operational Parts Lists .....	31
Cladding and Trim Parts List .....	32
<b>TYLER Warranty</b> .....	(See General-UL/NSF I&S Manual)

The following Medium Temperature, Multi-Shelf Dairy, Deli, Produce and Juice Merchandiser models are covered in this manual:

<b>MODEL</b>	<b>DESCRIPTION</b>
<b>N6DL</b>	<b>4', 6', 8' &amp; 12' MED. TEMP. MERCHANDISER WITH 18" FRONT</b>
<b>N6DM</b>	<b>4', 6', 8' &amp; 12' MED. TEMP. MERCHANDISER WITH 22" FRONT</b>
<b>N6DH</b>	<b>6', 8' &amp; 12' MED. TEMP. MERCHANDISER WITH 26" FRONT</b>
<b>N6DLR</b>	<b>8' &amp; 12' MED. TEMP. MERCHANDISER WITH 18" FRONT &amp; REAR DOORS</b>
<b>N6DMR</b>	<b>8' &amp; 12' MED. TEMP. MERCHANDISER WITH 22" FRONT &amp; REAR DOORS</b>
<b>N6DNL</b>	<b>4', 6', 8' &amp; 12' MED. TEMP. NARROW MERCHANDISER WITH 18" FRONT</b>
<b>N6DNM</b>	<b>6', 8' &amp; 12' MED. TEMP. NARROW MERCHANDISER WITH 22" FRONT</b>
<b>N6DNH</b>	<b>6', 8' &amp; 12' MED. TEMP. NARROW MERCHANDISER WITH 26" FRONT</b>

# SPECIFICATIONS

## N6D(L, M, H, LR, MR) Multi-Shelf Medium Temperature Merchandisers

### Refrigeration Data:

MODEL	CASE LENGTH	CASE USAGE	CAPACITY (BTUH / FT)		EVAPORATOR (°F)	UNIT SIZING (°F)	DISCHARGE AIR		AVG. REF. CHARGE (LBS/FT)
			PARALLEL	CONVENTIONAL			TEMPERATURE (°F)	VELOCITY (FPM)	
N6DL	4'/6'/8'/12'	MED TEMP	1,270*	1,361*	+21**	+19	+33	218***	1.04****
N6DM	4'/6'/8'/12'	MED TEMP	1,225*	1,313*	+21**	+19	+33	218***	1.04****
N6DH	6'/8'/12'	MED TEMP	1,182*	1,266*	+21**	+19	+33	218***	1.04****
N6DLR	8'/12'	MED TEMP	1,270*	1,361*	+21**	+19	+32	244***	1.04****
N6DMR	8'/12'	MED TEMP	1,225*	1,313*	+21**	+19	+32	244***	1.04****

\* Capacity data listed for cases with 2 rows of T-8 canopy lights and 4 rows of unlighted shelves. Adjustments must be made to this base rating for each option installed on this case. ADD 23 BTUH/FT for each row of lighted shelves. ADD 411 BTUH/FT for peg bars. NOTE: Baffles are required above each peg bar row to provide proper air flow around the food products. ADD 74 BTUH/FT for produce inserts. For sizing all refrigeration equipment other than TYLER, use conventional BTUH values.

\*\* Evaporator temperature is based on the saturated pressure leaving the case.

\*\*\* Air velocity measured 1 hour after defrost at the top discharge air duct using an ALNOR JR. velometer with a scoop.

\*\*\*\* This is an average refrigeration charge per foot based on R22 and R404A refrigerant usage.

FOR SPECIFIC COMPRESSOR SIZING INFORMATION, REFER TO TYLER APPLICATIONS FOR RACK SYSTEM COMPRESSORS AND/OR THE COMPRESSOR MANUFACTURERS FOR SINGLE COMPRESSORS. FOR LINE SIZING INFORMATION, REFER TO THE MISCELLANEOUS SECTION "BUFF" IN THE TYLER SPECIFICATION GUIDE.

### Electrical Data:

Fans and Heaters (120 and 208 Volt)

MODEL	CASE LENGTH	FANS / CASE	TOTAL STANDARD FANS		TOTAL ECM FANS		TOTAL ANTI-SWEATS (120V)		208 VOLT DEFROST HEATER	
			AMPS	WATTS	AMPS	WATTS	DISCHARGE AIR AMPS	DISCHARGE AIR WATTS	AMPS	WATTS
N6D(L/M)	4'	1	0.53	48.0	0.32	17.0	N/A	N/A	4.50	935.0
N6D(L/M/H)	6'	2	1.06	96.0	0.64	34.0	N/A	N/A	4.70	975.0
N6D(L/M/H/LR/MR)	8'	2	1.06	96.0	0.64	34.0	N/A	N/A	6.90	1,430.0
N6D(L/M/H/LR/MR)	12'	3	1.59	144.0	0.96	51.0	N/A	N/A	10.30	2,145.0

\* Discharge air anti-sweat heater will only be on when the canopy lights are off. Use highest amp draw of the two circuits to figure electrical case requirements..

Heaters (208 Volt)

208 VOLT DEFROST (AMPS)													
FT	4	6	8	12	16	20	24	28	32	36	40	44	48
1 PH	4.5 TG-30	4.7 TG-30	6.9 TG-30	10.3 TG-30	13.8 TG-30	17.2 TG-30	20.6 TG-30	24.1 TG-40	27.5 TG-40	30.9 TG-40	34.4 TG-50	37.8 TG-50	41.2 TG-50
3 PH	N/A	N/A	N/A	N/A	12.0 TG-3-30	15.0 TG-3-30	18.0 TG-3-30	15.0 TG-3-30	18.0 TG-3-30	18.0 TG-3-30	21.0 TG-3-30	25.0 TG-3-40	28.0 TG-3-40

T-8 Lighting with Electronic Ballasts (120 Volt)

MODEL	CASE LENGTH	CANOPY LIGHTS* --- PER ROW				SHELF LIGHTS - PER ROW										NOSE LIGHT		MAX. LIGHTING (8 ROWS)	
		AMPS		WATTS		AMPS					WATTS					AMPS	WATTS	AMPS	WATTS
		1	2	1	2	1	2	3	4	5	1	2	3	4	5				
N6D	4'	0.35	0.50	42	60	0.45	0.60	0.80	0.95	1.30	54	72	96	114	156	0.35	42	2.15	258
N6D	6'	0.40	0.75	48	90	0.60	0.90	1.20	1.50	1.90	72	108	144	180	228	0.40	48	3.05	366
N6D(R)	8'	0.50	0.95	60	114	0.90	1.20	1.60	1.90	2.40	108	144	192	228	288	0.50	60	3.85	462
N6D(R)	12'	0.70	1.40	84	168	1.35	1.80	2.40	2.85	3.55	162	216	288	342	426	0.70	84	5.65	678

\* Standard lighting for this case is 2 rows of T-8 canopy lights.

UL SANITATION approved in accordance with ANSI/NSF - 7.

CASE BTUH REQUIREMENTS are calculated to produce approximately the indicated entering-air temperature with absolute maximum operating ambient limits of 75°F & 55RH.

The information contained herein is based on technical analysis and/or tests performed in a controlled lab environment that are consistent with industry practices, and is intended as a reference for system sizing and configuration purposes only and for use by persons having technical skill at their own discretion and risk. Conditions of use are outside of Tyler's control and we do not assume and hereby disclaim any liability for results obtained or damages incurred through application of or reliance on the data presented, including but not limited to specific energy consumption with any particular model or installed application. SPECIFICATIONS ARE SUBJECT TO CHANGE WITHOUT NOTICE.

**Defrost Data:**

DEFROST TYPE*	DEFROSTS PER DAY	DURATION TIME (MIN)	TERMINATION (°F)	EPR SETTINGS **		DEFROST WATER (LB / FT / DAY)
				R22 (PSIG)	R404A (PSIG)	
TIME OFF	4	24	- - -	44	57	1.9
ELECTRIC	4	24	41			
HOT GAS	4	15	55*			

\* If an Electronic Sensor is used for termination, it should be set at 70°F termination temperature. The sensor must be located in the same location as the defrost termination klixon for that defrost type.

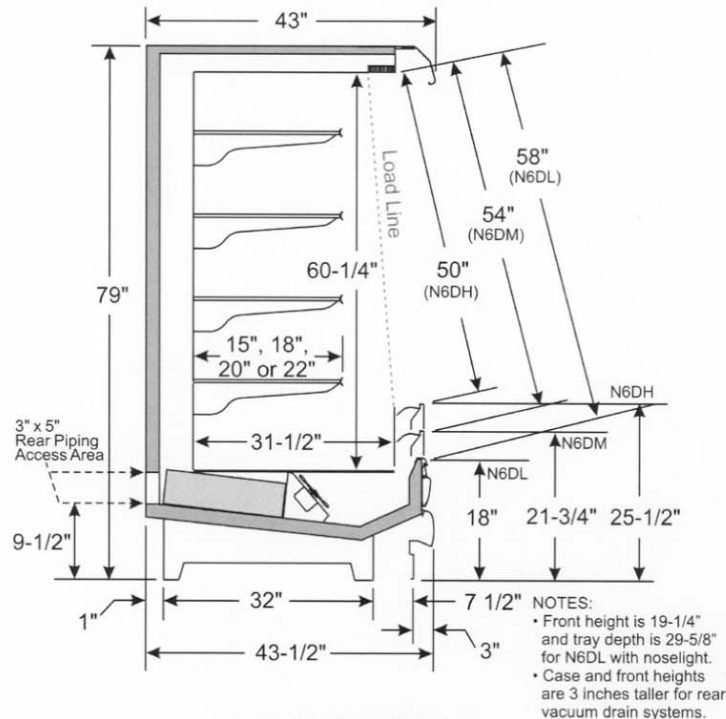
\*\* Set EPR to give this pressure at the case.

**DEFROST CIRCUITS:** OFF CYCLE defrost is standard (use TC defrost module) – OPTIONAL ELECTRIC defrost uses a single or 3 phase 208V circuit – OPTIONAL HOT GAS defrost uses 2 control wires.

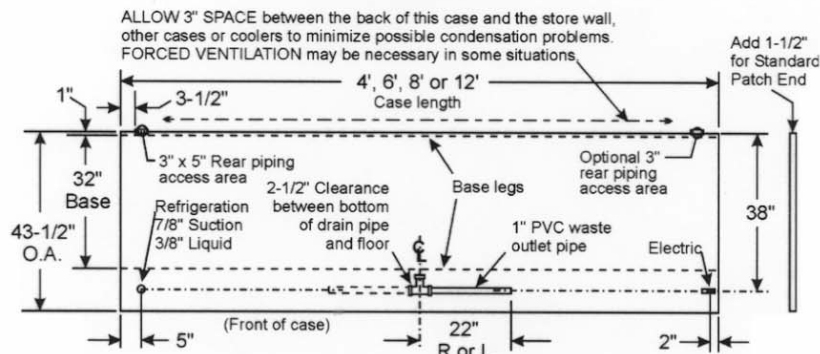
CASE-TO-CASE SUCTION LINE SUB-FEED BRANCH LINE SIZING															
MODEL	4'	6'	8'	10'	12'	16'	20'	24'	28'	32'	36'	40'	44'	48'	52'
N6D / N6DR R22	7/8"	7/8"	7/8"	7/8"	7/8"	7/8"	1 1/8"	1 1/8"	1 1/8"	1 3/8"	1 3/8"	1 3/8"	1 3/8"	1 3/8"	1 3/8"

**SHELVING NOTES:** Shelving widths available for these cases are 15", 18", 20" and 22". When two sizes are used, the smaller must be used on top.

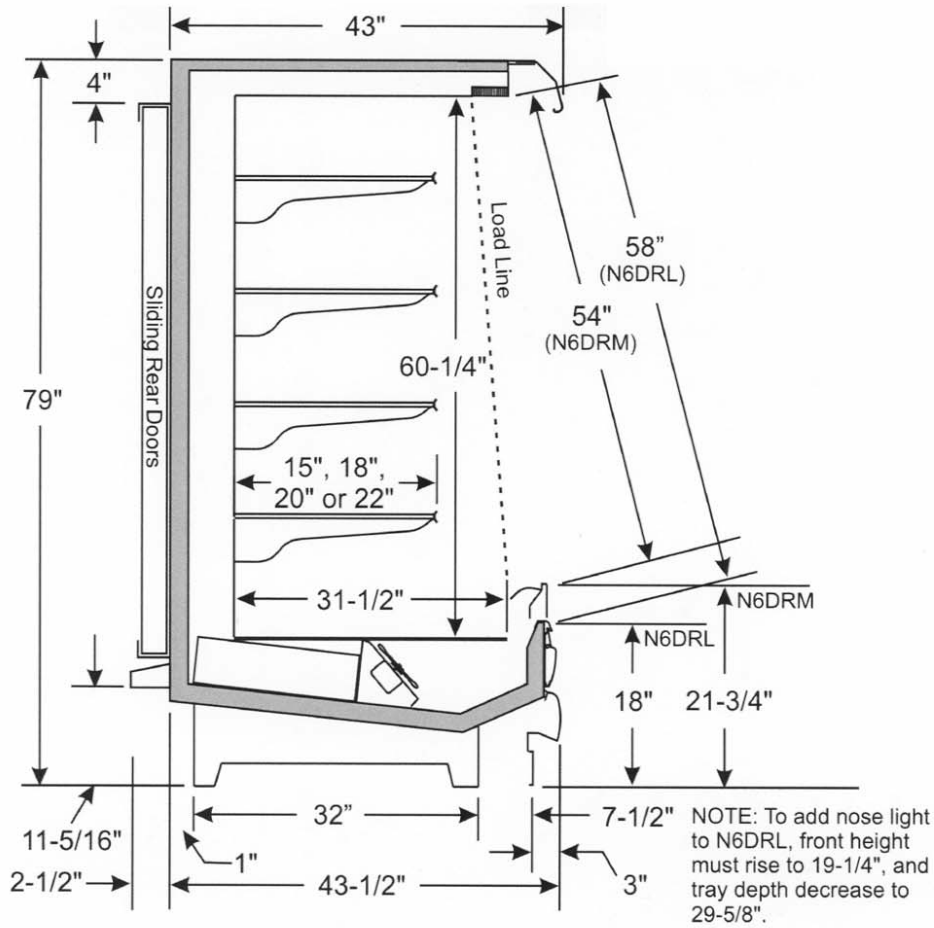
**N6D CROSS SECTION**



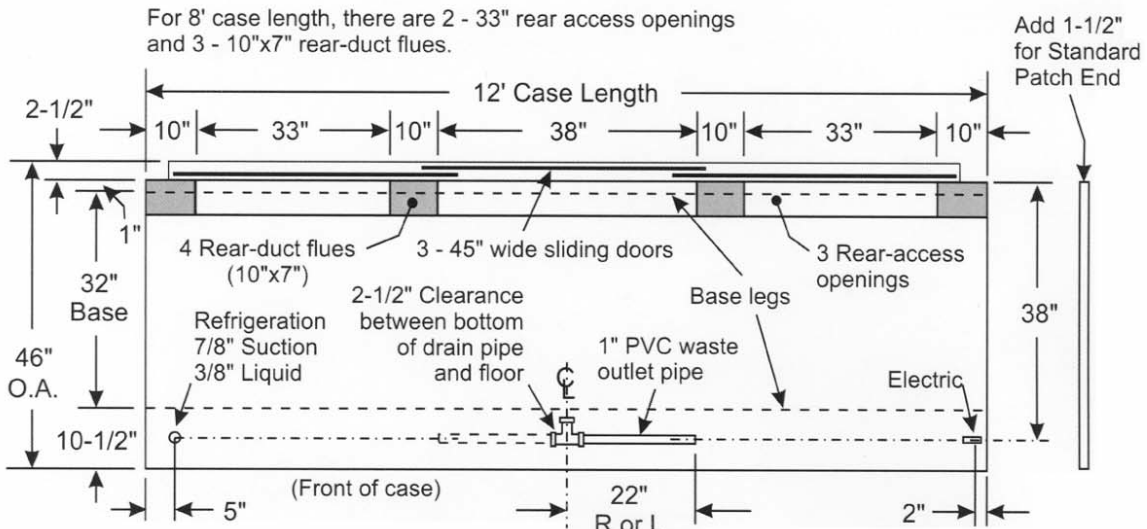
**N6D FLOOR PLAN**



### N6DR CROSS SECTION



### N6DR FLOOR PLAN



# N6DN(L, M, H) Narrow Multi-Shelf Medium Temperature Merchandisers

## Refrigeration Data:

MODEL	CASE LENGTH	CASE USAGE	CAPACITY (BTUH / FT)		EVAPORATOR (°F)	UNIT SIZING (°F)	DISCHARGE AIR		AVG. REF. CHARGE (LBS/FT)
			PARALLEL	CONVENTIONAL			TEMPERATURE (°F)	VELOCITY (FPM)	
N6DNL	4'/6'/8'/12'	MED TEMP	1,259*	1,361*	+21**	+19	34	285***	0.71****
N6DNM	6'/8'/12'	MED TEMP	1,215*	1,313*	+21**	+19	34	285***	0.71****
N6DNH	6'/8'/12'	MED TEMP	1,171*	1,266*	+21**	+19	34	285***	0.71****

\* Capacity data listed for cases with 2 rows of T-8 canopy lights and 4 rows of unlighted shelves. Adjustments must be made to this base rating for each option installed on this case. ADD 23 BTUH/FT for each row of lighted shelves. NOTE: Contact TYLER for Peg Bar or Produce Insert Capacity Adjustments. For sizing all refrigeration equipment other than TYLER, use conventional BTUH values.

\*\* Evaporator temperature is based on the saturated pressure leaving the case.

\*\*\* Air velocity measured 1 hour after defrost at the top discharge air duct using an ALNOR JR. velometer with a scoop.

\*\*\*\* This is an average refrigeration charge per foot based on R22 and R404A refrigerant usage.

FOR SPECIFIC COMPRESSOR SIZING INFORMATION, REFER TO TYLER APPLICATIONS FOR RACK SYSTEM COMPRESSORS AND/OR THE COMPRESSOR MANUFACTURERS FOR SINGLE COMPRESSORS. FOR LINE SIZING INFORMATION, REFER TO THE MISCELLANEOUS SECTION "BUFF" IN THE TYLER SPECIFICATION GUIDE.

## Electrical Data:

Fans and Heaters (120 and 208 Volt)

MODEL	CASE LENGTH	FANS / CASE	TOTAL STANDARD FANS		TOTAL ECM FANS		TOTAL ANTI-SWEATS (120V)		208 VOLT DEFROST HEATER	
			AMPS	WATTS	AMPS	WATTS	DISCHARGE AIR AMPS	WATTS	AMPS	WATTS
N6DNL	4'	1	0.53	48.0	0.32	17.0	N/A	N/A	4.50	935.0
N6DN(L/M/H)	6'	2	1.06	96.0	0.64	34.0	N/A	N/A	4.70	975.0
N6DN(L/M/H)	8'	2	1.06	96.0	0.64	34.0	N/A	N/A	6.90	1,430.0
N6DN(L/M/H)	12'	3	1.59	144.0	0.96	51.0	N/A	N/A	10.30	2,145.0

\* Discharge air anti-sweat heater will only be on when the canopy lights are off. Use highest amp draw of the two circuits to figure electrical case requirements.

Heaters (208 Volt)

FT	208 VOLT DEFROST (AMPS)												
	4	6	8	12	16	20	24	28	32	36	40	44	48
1 PH	4.5 TG-30	4.7 TG-30	6.9 TG-30	10.3 TG-30	13.8 TG-30	17.2 TG-30	20.6 TG-30	24.1 TG-40	27.5 TG-40	30.9 TG-40	34.4 TG-50	37.8 TG-50	41.2 TG-50
3 PH	N/A	N/A	N/A	N/A	12.0 TG-3-30	15.0 TG-3-30	18.0 TG-3-30	15.0 TG-3-30	18.0 TG-3-30	18.0 TG-3-30	21.0 TG-3-30	25.0 TG-3-40	28.0 TG-3-40

T-8 Lighting with Electronic Ballasts (120 Volt)

MODEL	CASE LENGTH	CANOPY LIGHTS* (2-ROWS)		SHELF LIGHTS - PER ROW										NOSE LIGHT		MAX. LIGHTING (8 ROWS)	
		AMPS	WATTS	AMPS					WATTS					AMPS	WATTS	AMPS	WATTS
				1	2	3	4	5	1	2	3	4	5				
N6DN	4'	0.50	60	0.45	0.60	0.80	0.95	1.30	54	72	96	114	156	0.35	42	2.15	258
N6DN	6'	0.75	90	0.60	0.90	1.20	1.50	1.90	72	108	144	180	228	0.40	48	3.05	366
N6DN	8'	0.95	114	0.90	1.20	1.60	1.90	2.40	108	144	192	228	288	0.50	60	3.85	462
N6DN	12'	1.40	168	1.35	1.80	2.40	2.85	3.55	162	216	288	342	426	0.70	84	5.65	678

\* Standard lighting for this case is 2 rows of T-8 canopy lights.

## Defrost Data:

DEFROST TYPE*	DEFROSTS PER DAY	DURATION TIME (MIN)	TERMINATION (°F)	EPR SETTINGS **		DEFROST WATER (LB / FT / DAY)
				R22 (PSIG)	R404A (PSIG)	
TIME OFF	6	18	---	44	57	1.3
ELECTRIC	6	18	41			
HOT GAS	6	15	55*			

\* If an Electronic Sensor is used for termination, it should be set at 70°F termination temperature. The sensor must be located in the same location as the defrost termination klixon for that defrost type.

\*\* Set EPR to give this pressure at the case.

**DEFROST CIRCUITS:** OFF CYCLE defrost is standard (use TC defrost module) – OPTIONAL ELECTRIC defrost uses a single or 3 phase 208V circuit – OPTIONAL HOT GAS defrost uses 2 control wires.

**UL SANITATION** approved in accordance with ANSI/NSF - 7.

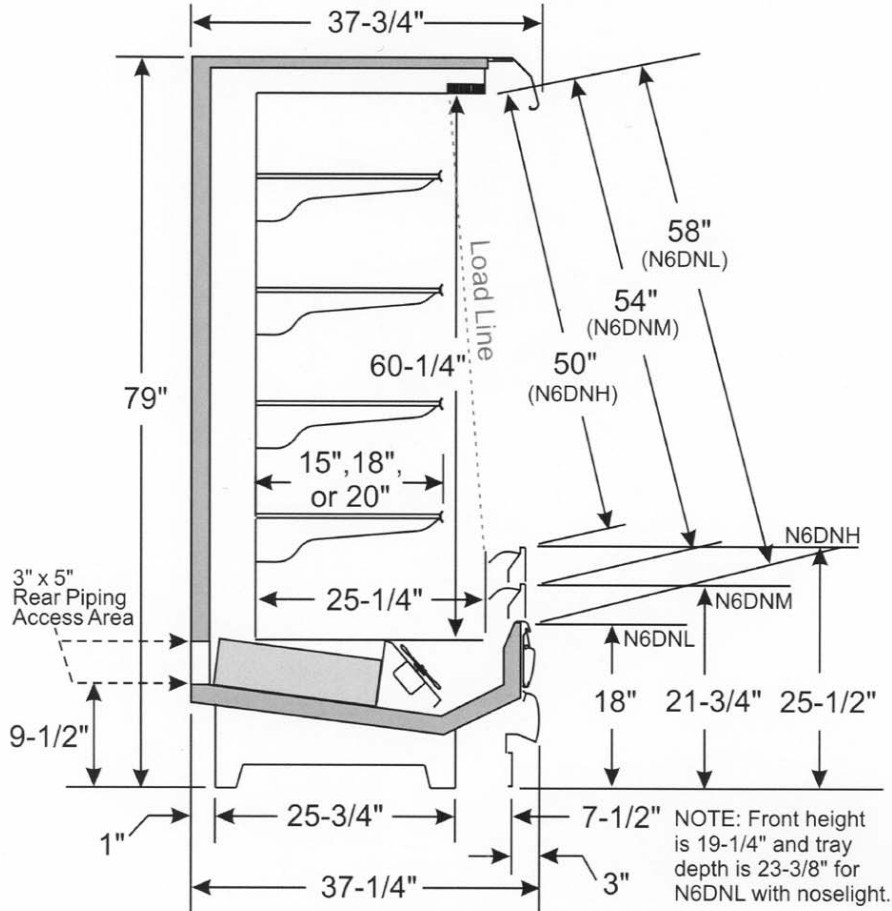
**CASE BTUH REQUIREMENTS** are calculated to produce approximately the indicated entering-air temperature with absolute maximum operating ambient limits of 75°F & 55RH.

The information contained herein is based on technical analysis and/or tests performed in a controlled lab environment that are consistent with industry practices, and is intended as a reference for system sizing and configuration purposes only and for use by persons having technical skill at their own discretion and risk. Conditions of use are outside of Tyler's control and we do not assume and hereby disclaim any liability for results obtained or damages incurred through application of or reliance on the data presented, including but not limited to specific energy consumption with any particular model or installed application. SPECIFICATIONS ARE SUBJECT TO CHANGE WITHOUT NOTICE.

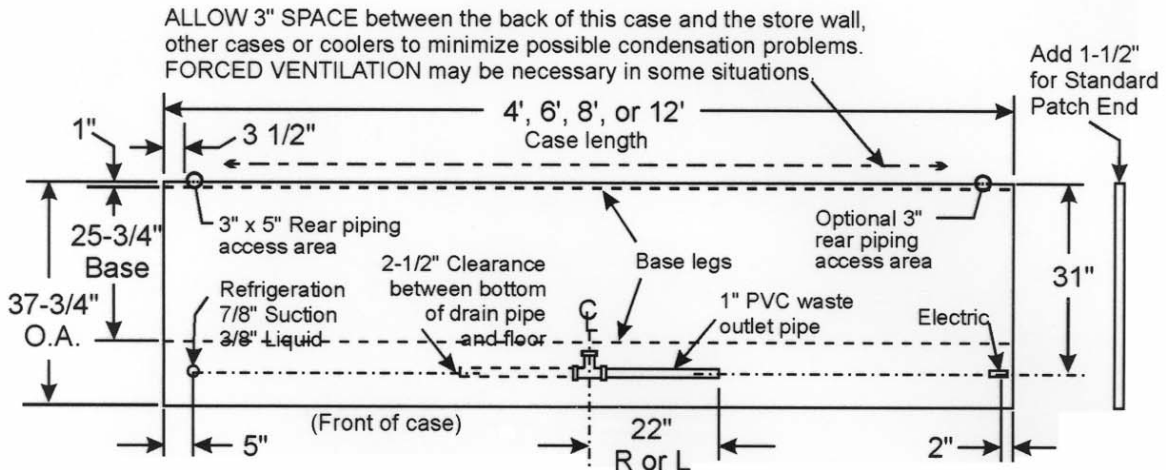
CASE-TO-CASE SUCTION LINE SUB-FEED BRANCH LINE SIZING																
MODEL	4'	6'	8'	10'	12'	16'	20'	24'	28'	32'	36'	40'	44'	48'	52'	56'
N6DN R22	7/8"	7/8"	7/8"	7/8"	7/8"	7/8"	1 1/8"	1 1/8"	1 1/8"	1 3/8"	1 3/8"	1 3/8"	1 3/8"	1 3/8"	1 3/8"	1 3/8"

**SHELVING NOTES:** Shelving widths available for these cases are 15", 18" and 20". When two sizes are used, the smaller must be used on top.

**N6DN CROSS SECTION**



**N6DN FLOOR PLAN**

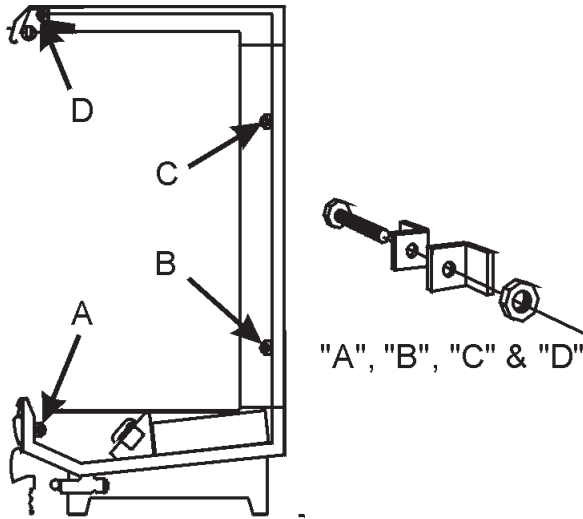




**INSTALLATION PROCEDURES**

**Carpentry Procedures**

**Case Pull-Up Locations**



All N6D and N6DN models have four pull-ups at each end of the case. Pull-ups A, B, C and D are located as shown and should be installed and tightened starting with A and finishing with D.

**NOTE**

If extra pull-up bolts are needed, use the bolts from the side shipping supports.

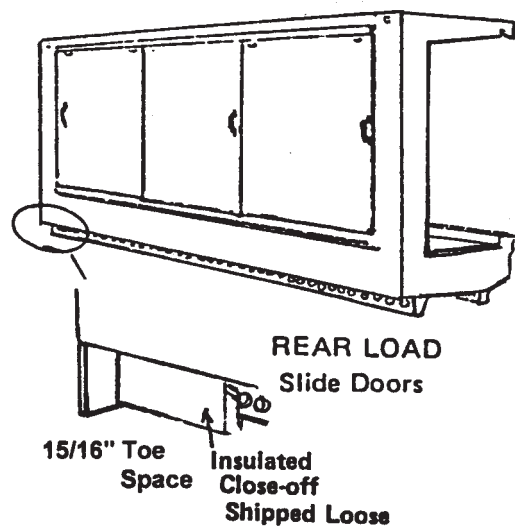
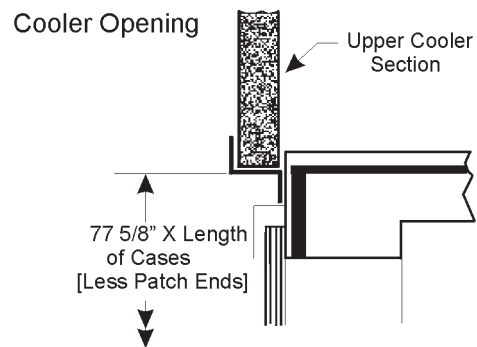
See "General-UL/NSF I&S Manual" for line-up assembly instructions.

**Joining Rear Load Cases to Coolers (N6DLR and N6DMR only)**

For U.L. and temperature performance requirements, N6DLR and N6DMR cases must be backed by a refrigerated area. TYLER walk-in coolers are available with the necessary special parts and instructions to make the installation.

**NOTE**

Please ensure that the cooler opening is insulated and sealed completely to the rear of the display case.



## Electrical Procedures

### Electrical Considerations

#### **CAUTION**

Make sure all electrical connections at components and terminal blocks are tight. This will prevent burning of electrical terminals and/or premature component failure.

#### **NOTE**

Raceway covers will be shipped loose. See the "General-UL/NSF I&S Manual" for raceway cover installation and removal instructions.

### Case Fan Circuit

This circuit is to be supplied by an uninterrupted, protected 120V circuit. The case fan circuit is not cycled, except when equipped for gas defrost. On gas defrost cases the fan circuit is controlled by a klixon.

#### **NOTE**

With gas defrost, the fans will not restart until the coil temperature reaches the appropriate temperature.

### Fluorescent Lamp Circuit

The standard lighting for N6D and N6DN cases is 2-rows of T-8 canopy lights. Optional T-8 Nose Light and/or T-8 shelf lighting is available on all of these cases.

## Defrost Information

See "General-UL/NSF I&S Manual" for operational descriptions for each type of defrost control.

### Defrost Control Charts

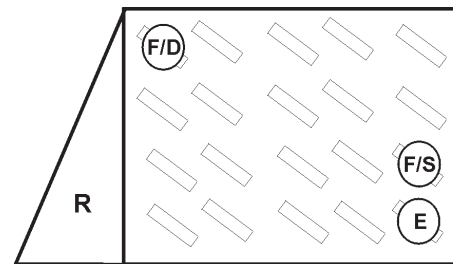
#### N6D Models

Defrost Type	Defrosts Per Day	Defrost Duration (Min)	Term. Temp.
Off Time	4	24	-----
Electric	4	24	41°F
Gas	4	15	55°F

#### N6DN Models

Defrost Type	Defrosts Per Day	Defrost Duration (Min)	Term. Temp.
Off Time	6	18	-----
Electric	6	18	41°F
Gas	6	15	55°F

Most klixons are located on the right end of the evaporator coil. The diagram shows the location for each defrost type that uses a klixon.



E = Electric Defrost Termination  
 F/D = Gas Defrost (Fan Delay)  
 F/S = Electric Defrost Failsafe (Opt.)

#### **NOTE**

The Gas Defrost Termination klixon is located at the by-pass check valve.

#### **CAUTION**

If electronic sensors are used in place of the klixons, the sensors must be located in the same location as the klixons for that defrost type. Any other locations will effect the refrigeration efficiency of the case.

## WIRING DIAGRAMS

### ELECTRICIAN NOTE - OVERCURRENT PROTECTION

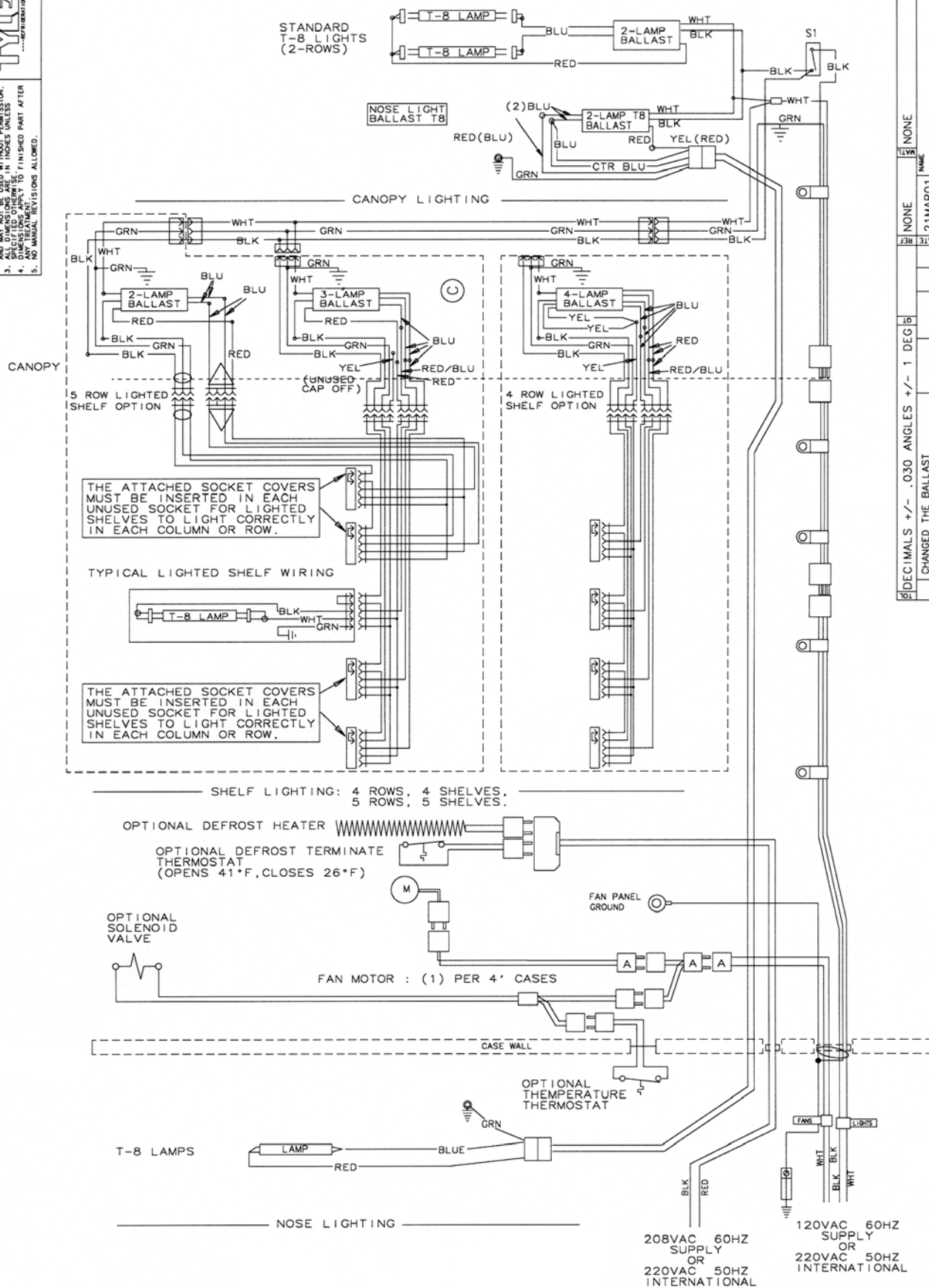
120V circuits should be protected by 15 or 20 Amp devices per the requirements noted on the cabinet nameplate or the National Electrical Code, Canadian Electrical Code - Part 1, Section 28. 208V defrost circuits employ No. 12 AWG field wire leads for field connections. On remote cases intended for end to end line-ups, bonding for ground may rely upon the pull-up bolts.

The following wiring diagrams on pages 11 thru 22 will cover the N6D and N6DN case circuits. The defrost and lighting circuits are covered in the case circuit diagrams.

# N6D(L, M) Domestic & Export (50 Hz) Case Circuits (4' Cases)



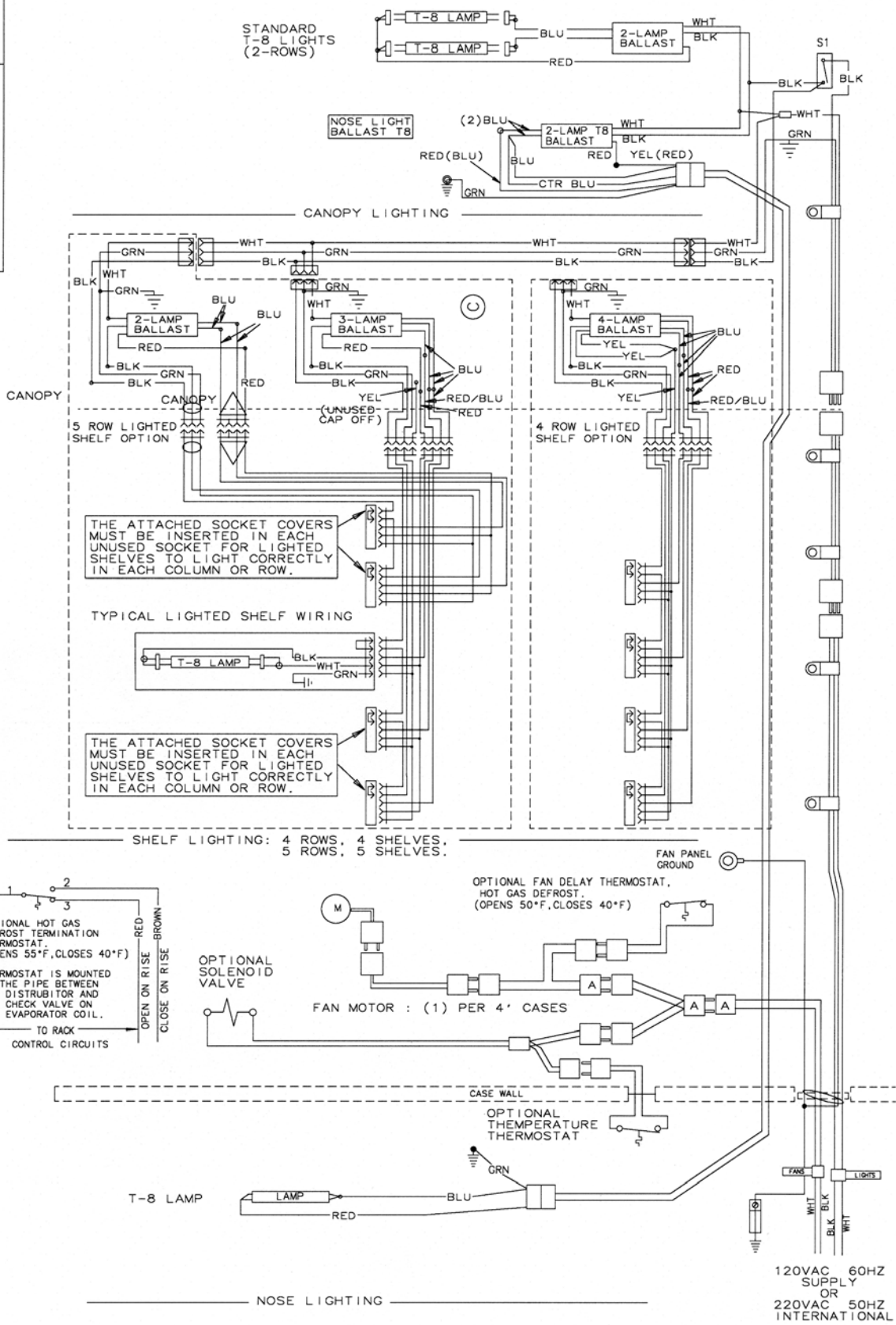
1. TYLER REFRIGERATION CLAIMS ALL RIGHTS TO THE INFORMATION ON THIS DRAWING AND MAY NOT BE USED WITHOUT PERMISSION.
2. ANY CHANGES TO THIS DRAWING MUST BE MADE IN WRITING AND MUST BE APPROVED BY TYLER REFRIGERATION.
3. SPECIFIC DIMENSIONS IN INCHES UNLESS OTHERWISE SPECIFIED.
4. ANY TREATMENT TO FINISHED PART AFTER MANUFACTURE IS AT CUSTOMER'S RISK.
5. NO MANUAL REVISIONS ALLOWED.



REV	DESCRIPTION	DATE	BY	CHK	REL	DATE	NAME
1	CHANGED THE BALLAST ON THE FIFTH ROW SHELF LIGHT OPTION	50118	14-JAN-08	GXH	LC	21-MAR-01	NONE
2					CR		NONE
3					25577		NONE
4							
5							
PART NO. 9037714							ASB
DIAGRAM WRC_OC_ELEC							
DFR N6D(L M)4_N6DNL4							

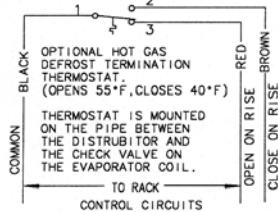
NOTE : ALL CASES MUST BE GROUNDED

1. TYLER REFRIGERATION CLAIMS ALL RIGHTS TO THE INFORMATION ON THIS DRAWING. ONLY TYLER REFRIGERATION SHALL BE USED WITHOUT PERMISSION.
2. AND MAY NOT BE USED IN ANY MANNER.
3. SPECIFIED OTHERWISE IN INCHES UNLESS OTHERWISE SPECIFIED.
4. ANY TREATMENT TO FINISHED PART AFTER MANUFACTURE IS AT CUSTOMER'S RISK.
5. NO MANUAL REVISIONS ALLOWED.



THE ATTACHED SOCKET COVERS MUST BE INSERTED IN EACH UNUSED SOCKET FOR LIGHTED SHELVES TO LIGHT CORRECTLY IN EACH COLUMN OR ROW.

THE ATTACHED SOCKET COVERS MUST BE INSERTED IN EACH UNUSED SOCKET FOR LIGHTED SHELVES TO LIGHT CORRECTLY IN EACH COLUMN OR ROW.



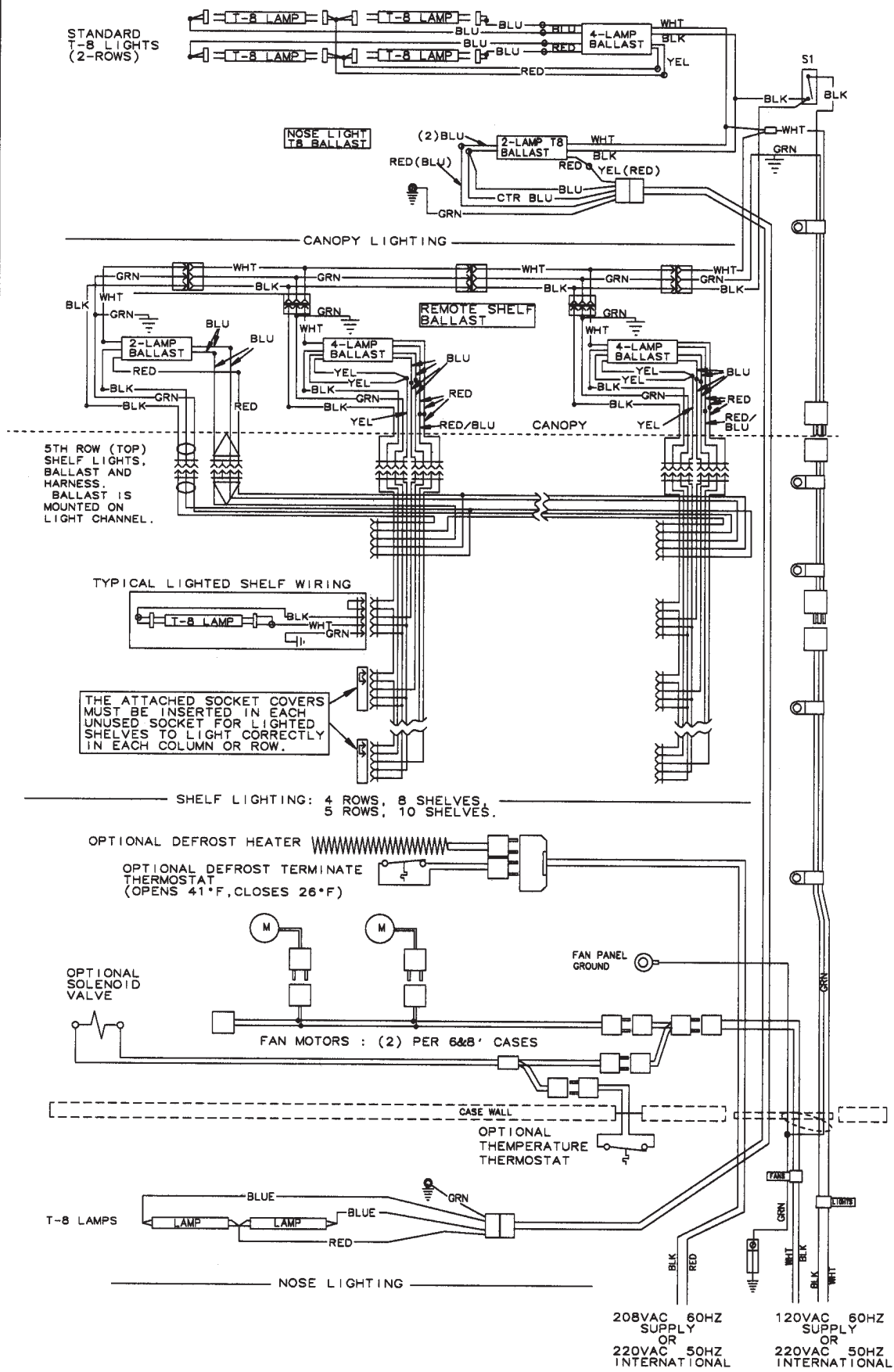
REV	DESCRIPTION	DATE	BY	CHK	DATE	BY	CHK
C	CHANGED THE BALLAST ON THE FIFTH ROW SHELF LIGHT OPTION	05JUN07	GH	LC	05JUN07	GH	LC
1		45208					
2	DECIMALS +/- .030 ANGLES +/- 1 DEG						
3							
4							
5							
6							
7							
8							
9							
10							
11							
12							
13							
14							
15							
16							
17							
18							
19							
20							
21							
22							
23							
24							
25							
26							
27							
28							
29							
30							
31							
32							
33							
34							
35							
36							
37							
38							
39							
40							
41							
42							
43							
44							
45							
46							
47							
48							
49							
50							
51							
52							
53							
54							
55							
56							
57							
58							
59							
60							
61							
62							
63							
64							
65							
66							
67							
68							
69							
70							
71							
72							
73							
74							
75							
76							
77							
78							
79							
80							
81							
82							
83							
84							
85							
86							
87							
88							
89							
90							
91							
92							
93							
94							
95							
96							
97							
98							
99							
100							

NOTE : ALL CASES MUST BE GROUNDED

# N6D(L, M, H) Domestic & Export (50 Hz) Case Circuits (6' & 8' Cases) N6D(LR, MR) Domestic & Export (50 Hz) Case Circuits (8' Cases)



1. THE USER SHALL VERIFY FOR CORRECT CLAIMS LIGHTS TO THE INFORMATION ON THIS DRAWING.
2. AND MAY NOT BE USED WITHOUT THE USER'S OWN RESPONSIBILITY.
3. ALL DIMENSIONS ARE IN INCHES UNLESS OTHERWISE SPECIFIED.
4. DIMENSIONS APPLY TO FINISHED PART AFTER POLISHING.
5. NO UNUSUAL REVOLUTIONS ALLOWED.



REV	DATE	BY	DESCRIPTION
1	26MAR97	LC	REMOVED HO LAMPS
2	26FEB07	LC	45407
3	97-018	OK	RELEASE
4		OK	
5		OK	

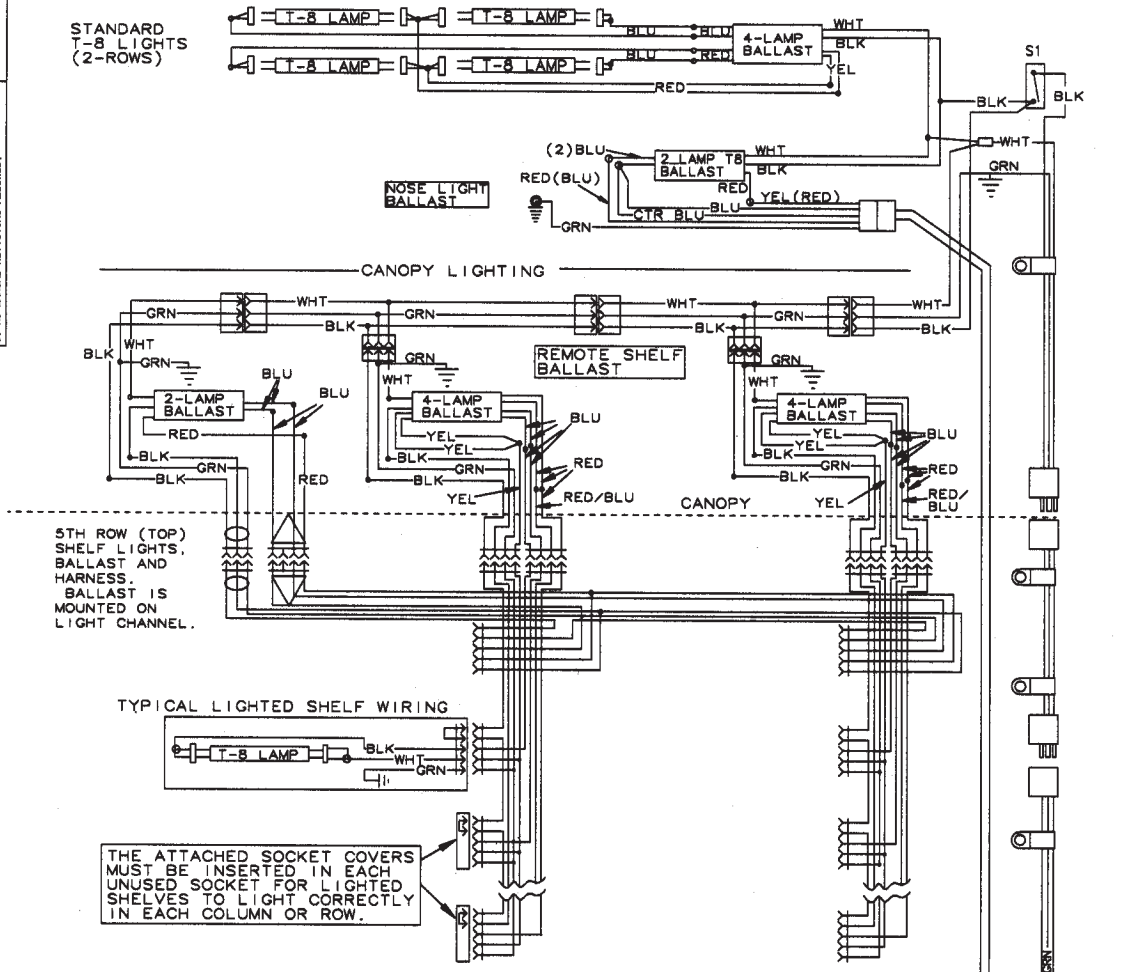
DIAGRAM WRG OC-ELEC  
DFR N6D(L)\_NHD( ) 1688

9026526 H

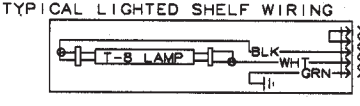
NOTE : ALL CASES MUST BE GROUNDED

1. TYLER REFRIGERATION CLAIMS ALL RIGHTS TO THE INFORMATION ON THIS DRAWING.
2. AND MAY NOT BE USED WITHOUT PERMISSION.
3. SPECIFIED DIMENSIONS IN INCHES UNLESS OTHERWISE NOTED.
4. DIMENSIONS APPLY TO FINISHED PART AFTER 5. NO MANUAL REVISIONS ALLOWED.

STANDARD T-8 LIGHTS (2-ROWS)

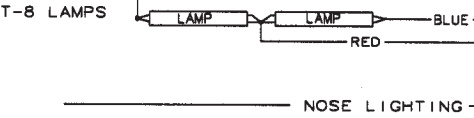
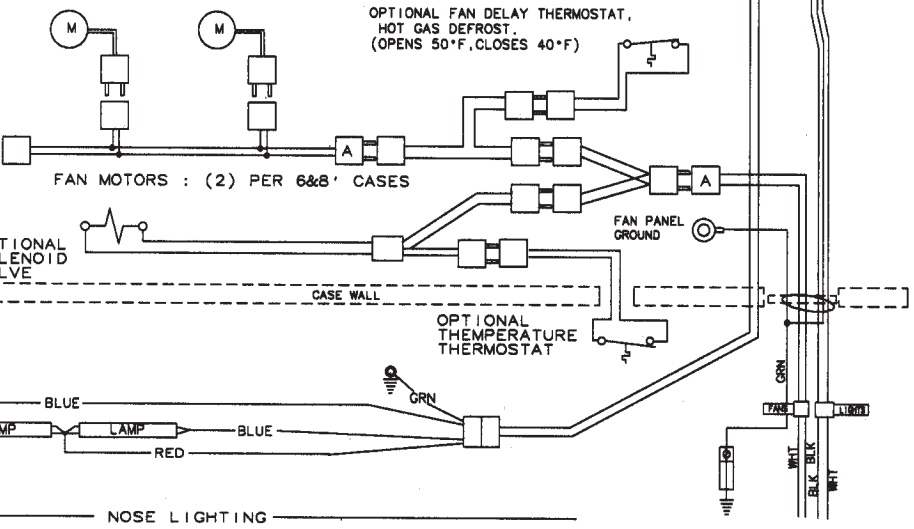
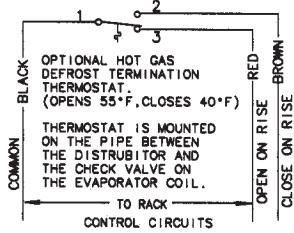


5TH ROW (TOP) SHELF LIGHTS, BALLAST AND HARNESS. BALLAST IS MOUNTED ON LIGHT CHANNEL.



THE ATTACHED SOCKET COVERS MUST BE INSERTED IN EACH UNUSED SOCKET FOR LIGHTED SHELVES TO LIGHT CORRECTLY IN EACH COLUMN OR ROW.

SHELF LIGHTING: 4 ROWS, 8 SHELVES, 5 ROWS, 10 SHELVES.



120VAC 60HZ SUPPLY OR 220VAC 50HZ INTERNATIONAL

REV	DATE	BY	CHK	APP	DESCRIPTION
1	13 JUL 98	LC	CK		REMOVED HO LAMPS
2	26 FEB 07	LC			45407
3					
4					
5					

DECIMALS +/- .030 ANGLES +/- 1 DEGREE

DIAGRAM WRC HG DFR N6D()\_NHD()688

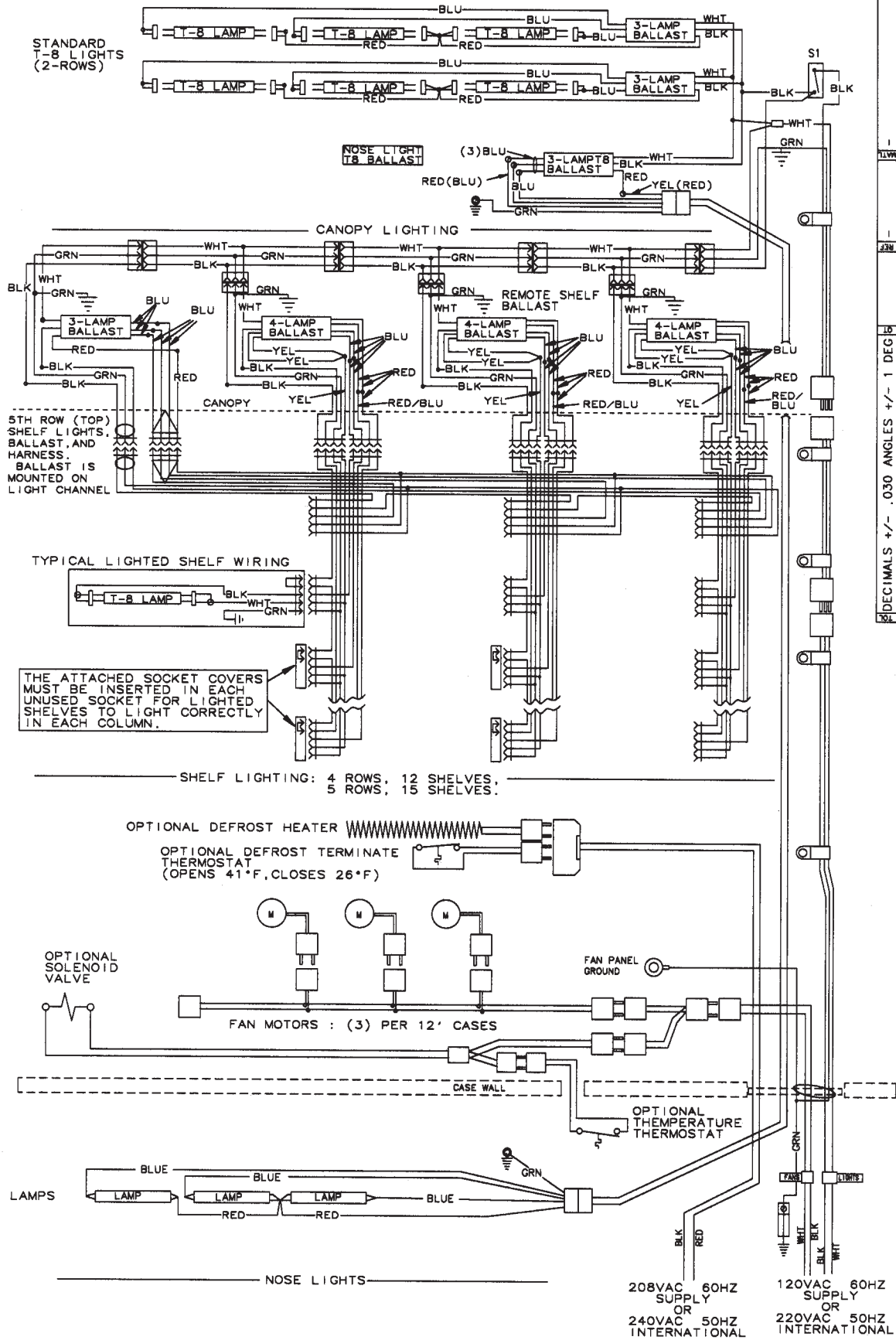
9028218

NOTE : ALL CASES MUST BE GROUNDED

# N6D(L, M, H, LR, MR) Domestic & Export (50 Hz) Case Circuits (12' Cases)



1. TYLER IDENTIFICATION COMP. CLAIM RIGHTS
2. TO THE INFORMATION ON THIS DRAWING
3. AND MAY NOT BE USED WITHOUT PERMISSION
4. DIMENSIONS ARE IN INCHES UNLESS
5. NO MANUAL REVISIONS ALLOWED.



5TH ROW (TOP) SHELF LIGHTS, BALLAST, AND HARNESS. BALLAST IS MOUNTED ON LIGHT CHANNEL

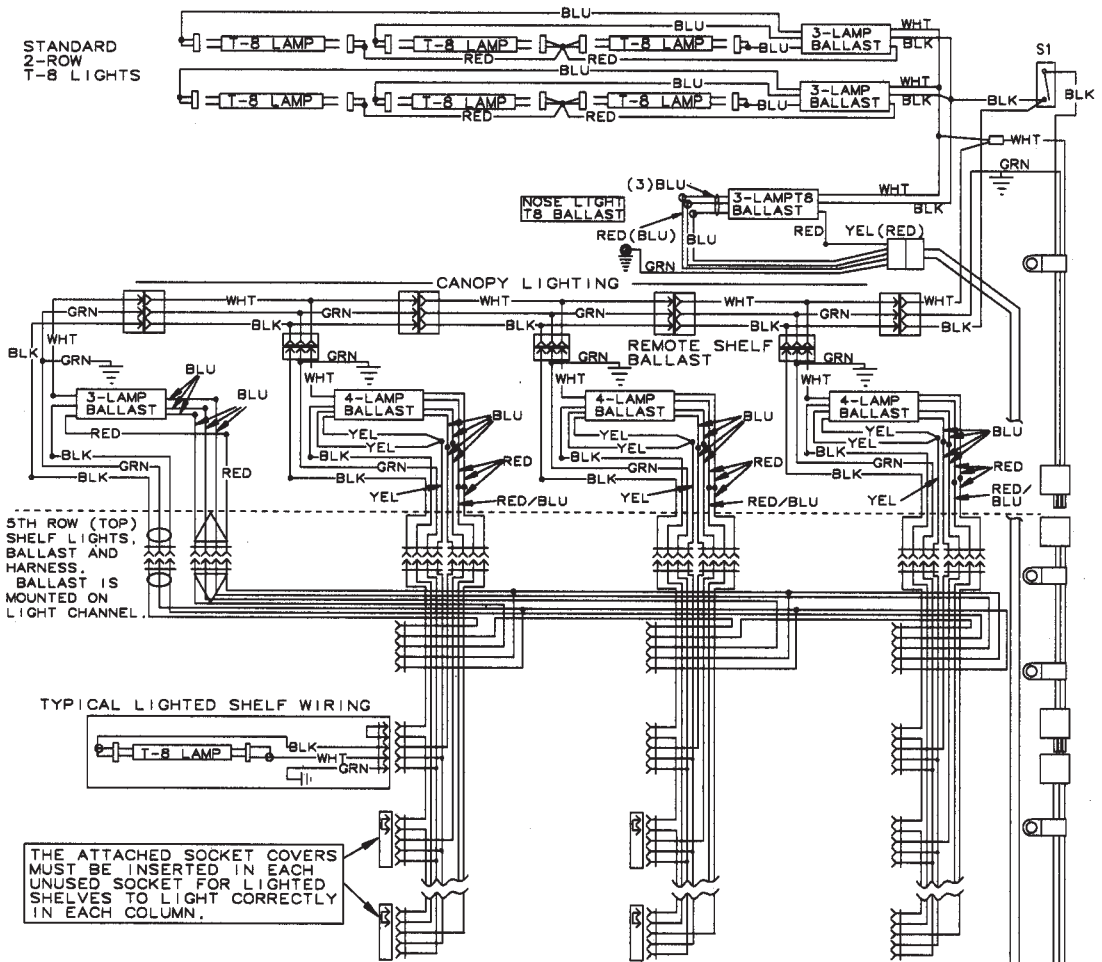
THE ATTACHED SOCKET COVERS MUST BE INSERTED IN EACH UNUSED SOCKET FOR LIGHTED SHELVES TO LIGHT CORRECTLY IN EACH COLUMN.

SHELF LIGHTING: 4 ROWS, 12 SHELVES;  
5 ROWS, 15 SHELVES.

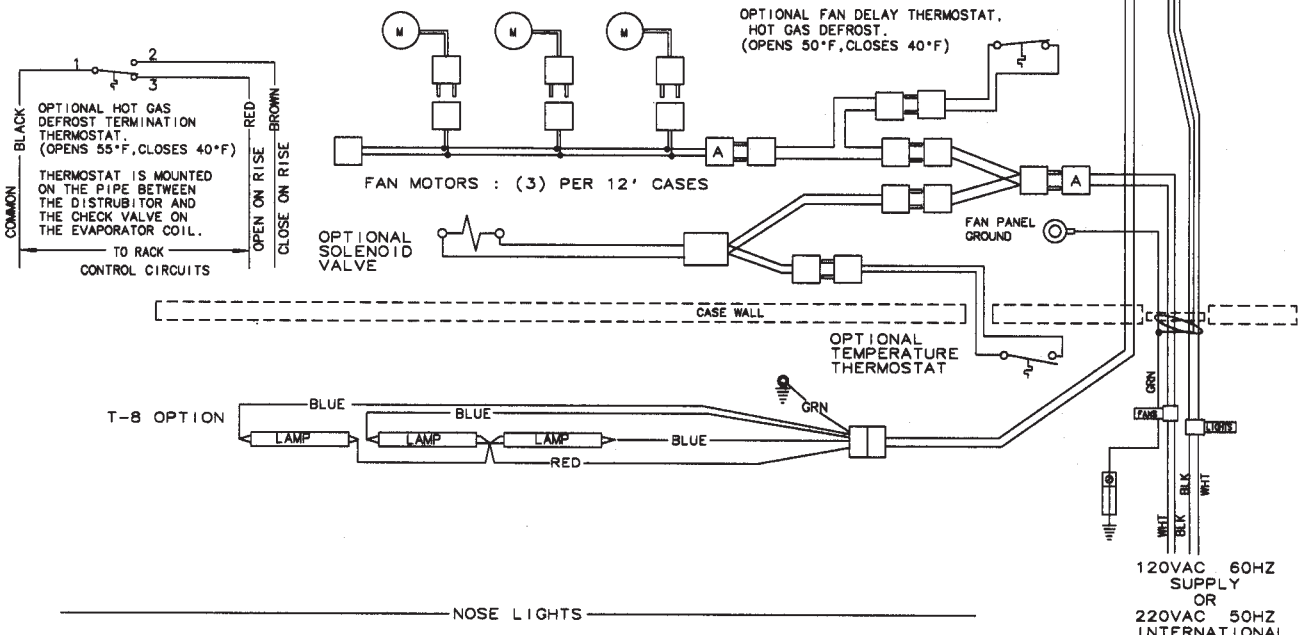
DATE	13 JUL 98	BY	WRC
DESCRIPTION	REMOVED HO LAMPS	DATE	26 FEB 07
REV	H	RELEASE	45407
CK	LC	DATE	13 JUL 98
DR	CK	BY	WRC
DATE	13 JUL 98	BY	WRC
DESCRIPTION	DIAGRAM WRG OC.ELEC DFR N6D()_NHD() 12		
REV	9026527	DATE	98-003HT

NOTE : ALL CASES MUST BE GROUNDED

1. TYLER REGISTRATION CLAIMS ALL RIGHTS TO THE INFORMATION ON THIS DRAWING.
2. AND MAY NOT BE USED WITHOUT EXPRESS WRITTEN PERMISSION FROM TYLER ELECTRIC.
3. ALL DIMENSIONS ARE IN INCHES UNLESS OTHERWISE SPECIFIED.
4. DIMENSIONS APPLY TO FINISHED PART AFTER FINISHING.
5. NO MANUAL REVISIONS ALLOWED.



SHELF LIGHTING: 4 ROWS, 12 SHELVES.  
5 ROWS, 15 SHELVES.



120VAC 60HZ SUPPLY OR 220VAC 50HZ INTERNATIONAL

DATE	13 JUL 98	BY	LC	CHK	CK
REV	1	DATE	23 FEB 07	BY	LC
DESCRIPTION	REMOVE HO LAMPS				
REV	G	DATE	45407	BY	LC
DESCRIPTION	REMOVE HO LAMPS				
REV	G	DATE	98-003H	BY	CK
DESCRIPTION	REMOVE HO LAMPS				
REV	G	DATE	98-003H	BY	CK
DESCRIPTION	REMOVE HO LAMPS				

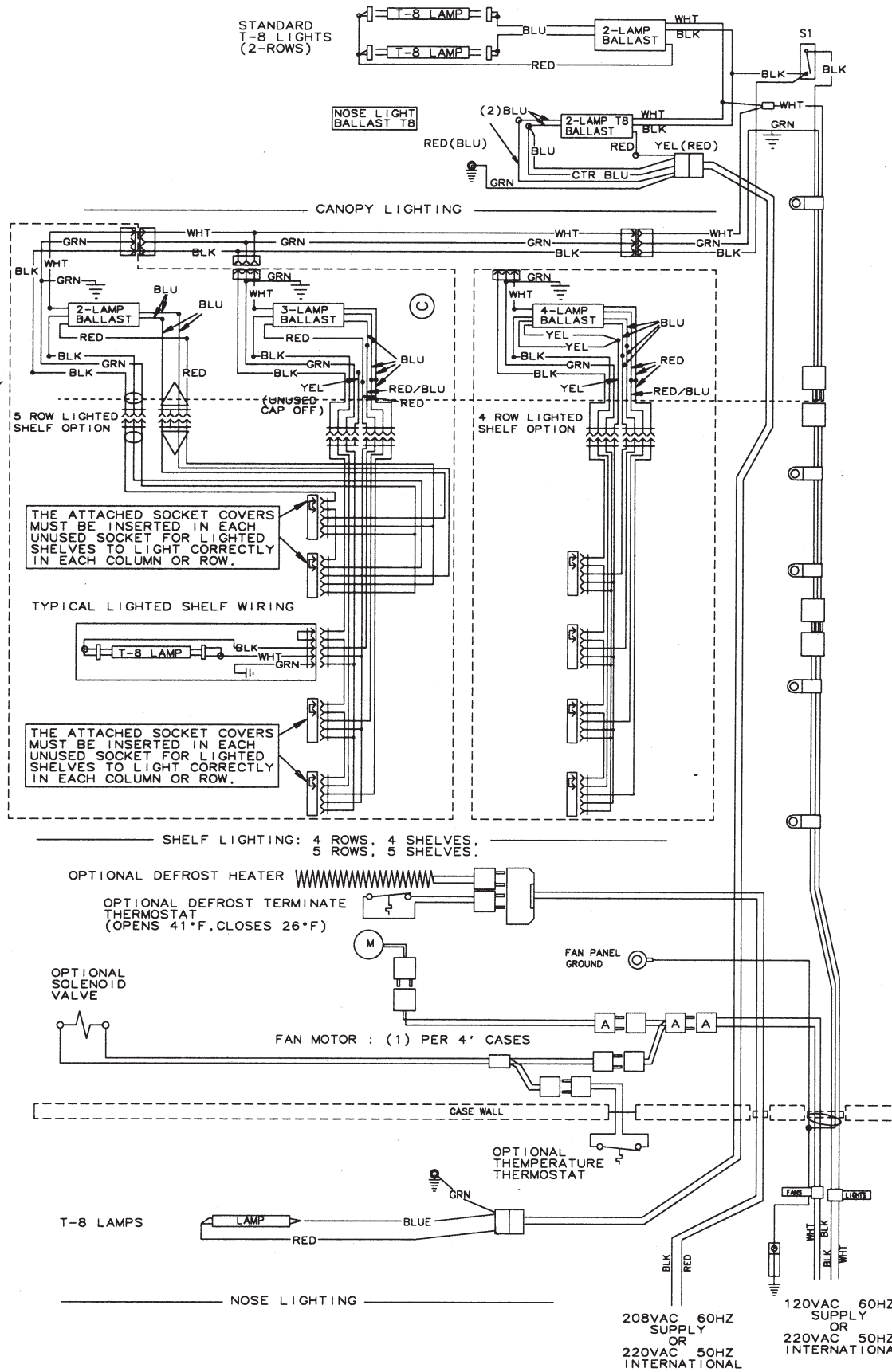
NOTE : ALL CASES MUST BE GROUNDED



# N6DNL Domestic & Export (50 Hz) Case Circuits (4' Cases)



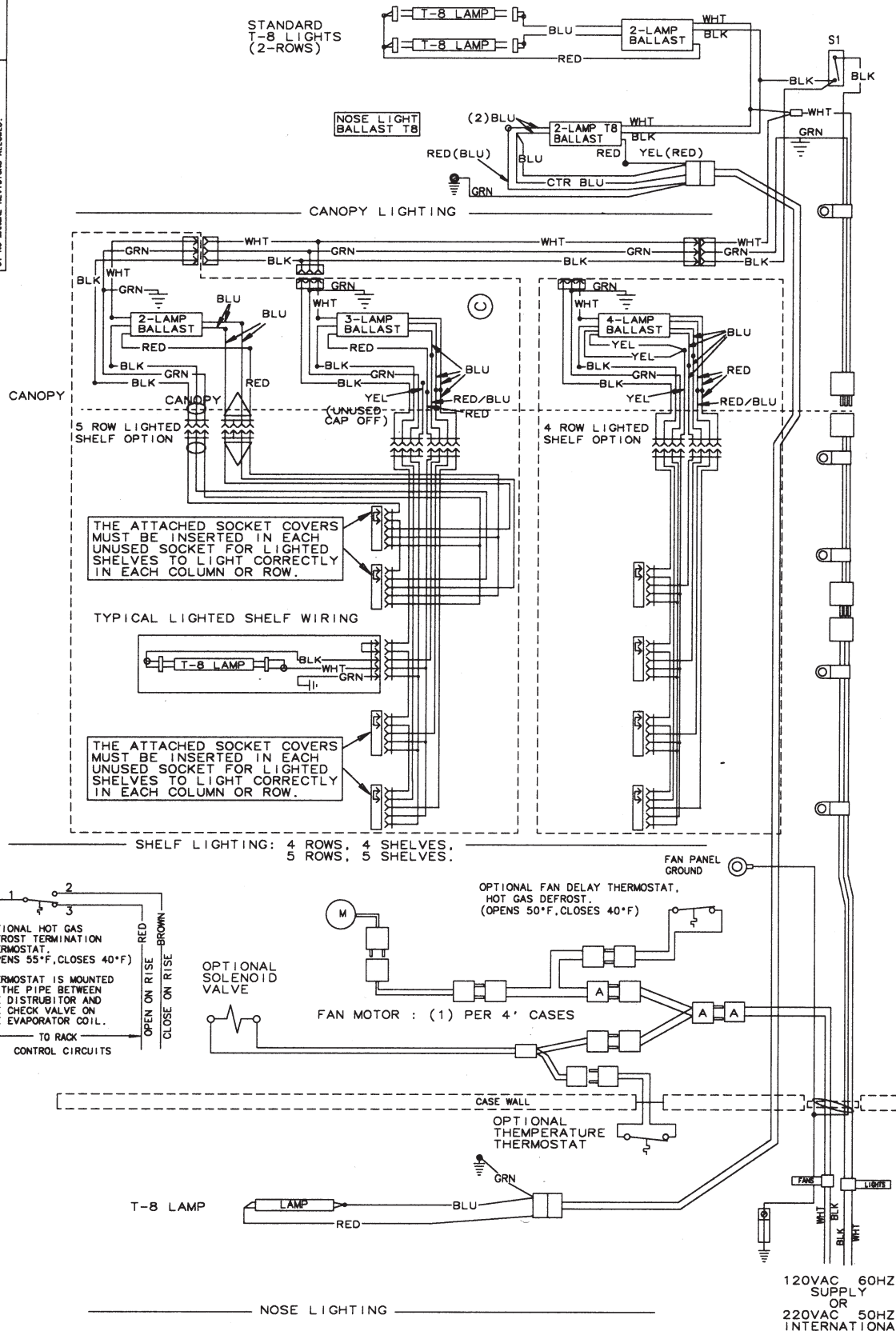
1. TYLER REFRIGERATION CLAIMS ALL RIGHTS IN THIS DOCUMENT FOR ENGINEERING USE ONLY.
2. ALL DIMENSIONS ARE IN INCHES UNLESS OTHERWISE SPECIFIED.
3. DIMENSIONS ARE TO FINISHED PART AFTER ANY TREATMENT PROCESSES ALLOWED.
4. DIMENSIONS ARE TO FINISHED PART AFTER ANY TREATMENT PROCESSES ALLOWED.
5. NO MANUAL REVISIONS ALLOWED.



REV	DESCRIPTION	DATE	BY	CHK	REL	DATE	NAME
1	CHANGED THE BALLAST ON THE FIFTH ROW SHELF LIGHT OPTION	50118	14JAN06	GKH	LC	21MAR01	NONE
2					CR		NONE
3					CR		NONE
4					CR		NONE
5					CR		NONE
6					CR		NONE
7					CR		NONE
8					CR		NONE
9					CR		NONE
10					CR		NONE
11					CR		NONE
12					CR		NONE
13					CR		NONE
14					CR		NONE
15					CR		NONE
16					CR		NONE
17					CR		NONE
18					CR		NONE
19					CR		NONE
20					CR		NONE
21					CR		NONE
22					CR		NONE
23					CR		NONE
24					CR		NONE
25					CR		NONE
26					CR		NONE
27					CR		NONE
28					CR		NONE
29					CR		NONE
30					CR		NONE
31					CR		NONE
32					CR		NONE
33					CR		NONE
34					CR		NONE
35					CR		NONE
36					CR		NONE
37					CR		NONE
38					CR		NONE
39					CR		NONE
40					CR		NONE
41					CR		NONE
42					CR		NONE
43					CR		NONE
44					CR		NONE
45					CR		NONE
46					CR		NONE
47					CR		NONE
48					CR		NONE
49					CR		NONE
50					CR		NONE
51					CR		NONE
52					CR		NONE
53					CR		NONE
54					CR		NONE
55					CR		NONE
56					CR		NONE
57					CR		NONE
58					CR		NONE
59					CR		NONE
60					CR		NONE
61					CR		NONE
62					CR		NONE
63					CR		NONE
64					CR		NONE
65					CR		NONE
66					CR		NONE
67					CR		NONE
68					CR		NONE
69					CR		NONE
70					CR		NONE
71					CR		NONE
72					CR		NONE
73					CR		NONE
74					CR		NONE
75					CR		NONE
76					CR		NONE
77					CR		NONE
78					CR		NONE
79					CR		NONE
80					CR		NONE
81					CR		NONE
82					CR		NONE
83					CR		NONE
84					CR		NONE
85					CR		NONE
86					CR		NONE
87					CR		NONE
88					CR		NONE
89					CR		NONE
90					CR		NONE
91					CR		NONE
92					CR		NONE
93					CR		NONE
94					CR		NONE
95					CR		NONE
96					CR		NONE
97					CR		NONE
98					CR		NONE
99					CR		NONE
100					CR		NONE

NOTE : ALL CASES MUST BE GROUNDED

1. TYLER REGISTRATION CLAIMS ALL RIGHTS TO THE INFORMATION ON THIS DRAWING. NO PART OF THIS DRAWING IS TO BE REPRODUCED OR TRANSMITTED IN ANY FORM OR BY ANY MEANS, ELECTRONIC OR MECHANICAL, INCLUDING PHOTOCOPYING, RECORDING, OR BY ANY INFORMATION STORAGE AND RETRIEVAL SYSTEM, WITHOUT PERMISSION IN WRITING FROM TYLER LABORATORY.  
 2. DIMENSIONS ARE IN INCHES UNLESS OTHERWISE SPECIFIED.  
 3. DIMENSIONS APPLY TO FINISHED PART AFTER POLISHING.  
 4. DIMENSIONS APPLY TO FINISHED PART AFTER POLISHING.  
 5. NO MANUAL REVISIONS ALLOWED.



REV	DESCRIPTION	DATE	BY	CHK	REL	DATE	NAME
C	CHANGED THE BALLAST ON THE FIFTH ROW SHELF LIGHT OPTION	05JUN07	GH	LC	CR	23MAR01	NONE
1							NONE
2							NONE
3							NONE
4							NONE
5							NONE
6							NONE
7							NONE
8							NONE
9							NONE
10							NONE
11							NONE
12							NONE
13							NONE
14							NONE
15							NONE
16							NONE
17							NONE
18							NONE
19							NONE
20							NONE
21							NONE
22							NONE
23							NONE
24							NONE
25							NONE
26							NONE
27							NONE
28							NONE
29							NONE
30							NONE
31							NONE
32							NONE
33							NONE
34							NONE
35							NONE
36							NONE
37							NONE
38							NONE
39							NONE
40							NONE
41							NONE
42							NONE
43							NONE
44							NONE
45							NONE
46							NONE
47							NONE
48							NONE
49							NONE
50							NONE
51							NONE
52							NONE
53							NONE
54							NONE
55							NONE
56							NONE
57							NONE
58							NONE
59							NONE
60							NONE
61							NONE
62							NONE
63							NONE
64							NONE
65							NONE
66							NONE
67							NONE
68							NONE
69							NONE
70							NONE
71							NONE
72							NONE
73							NONE
74							NONE
75							NONE
76							NONE
77							NONE
78							NONE
79							NONE
80							NONE
81							NONE
82							NONE
83							NONE
84							NONE
85							NONE
86							NONE
87							NONE
88							NONE
89							NONE
90							NONE
91							NONE
92							NONE
93							NONE
94							NONE
95							NONE
96							NONE
97							NONE
98							NONE
99							NONE
100							NONE

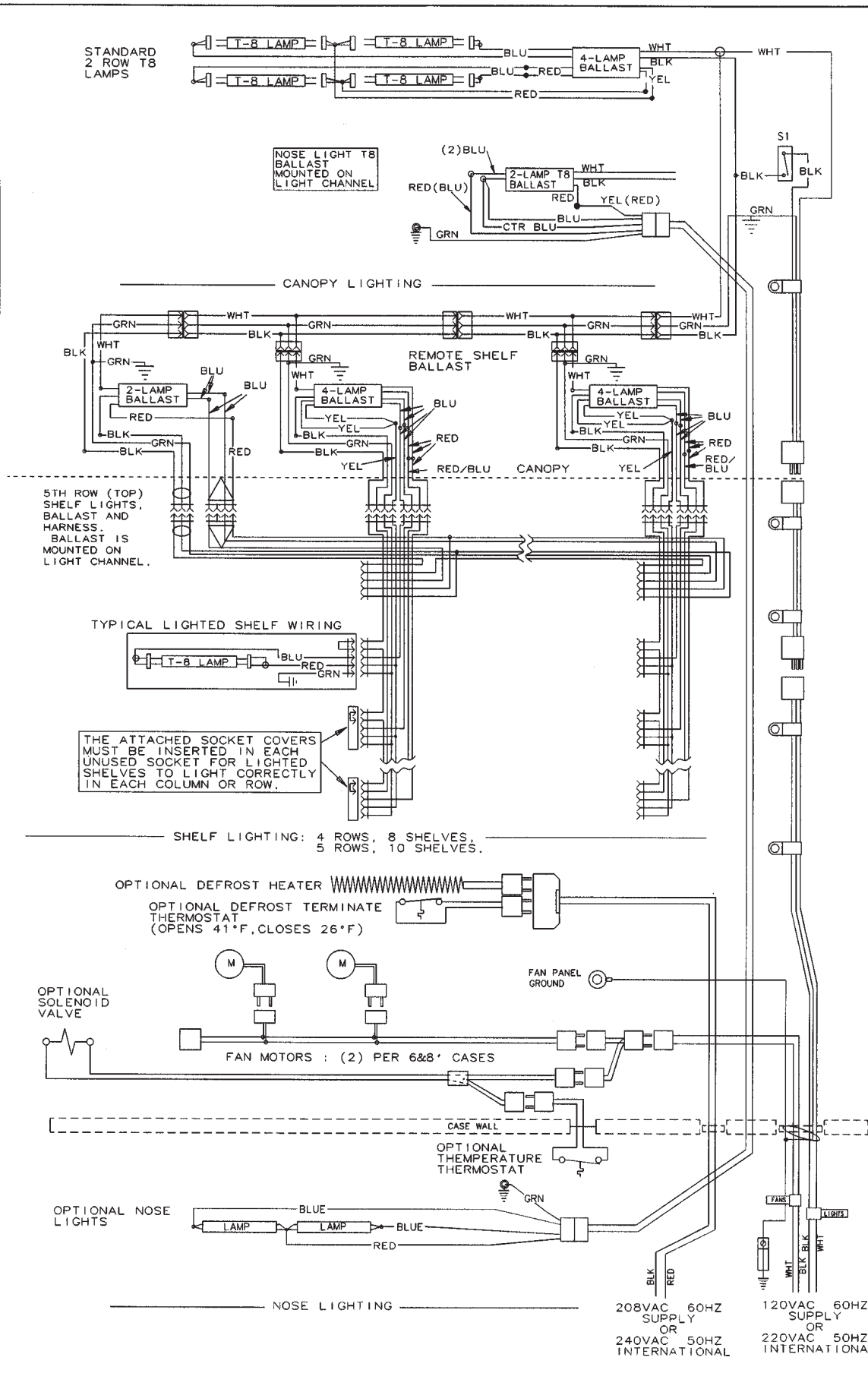
NOTE : ALL CASES MUST BE GROUNDED

120VAC 60HZ SUPPLY OR 220VAC 50HZ INTERNATIONAL

# N6DN(L, M, H) Domestic & Export (50 Hz) Case Circuits (6' & 8' Cases)



1. TYLER REPRESENTATION CLAIMS ALL RIGHTS TO THE INFORMATION ON THIS DRAWING. NO PARTS MAY BE USED WITHOUT PERMISSION.
2. AND MAY NOT BE USED WITHOUT PERMISSION.
3. ALL DIMENSIONS ARE IN INCHES UNLESS NOTED OTHERWISE.
4. DIMENSIONS APPLY TO FINISHED PART AFTER FINISHING.
5. NO MANUAL REVISIONS ALLOWED.

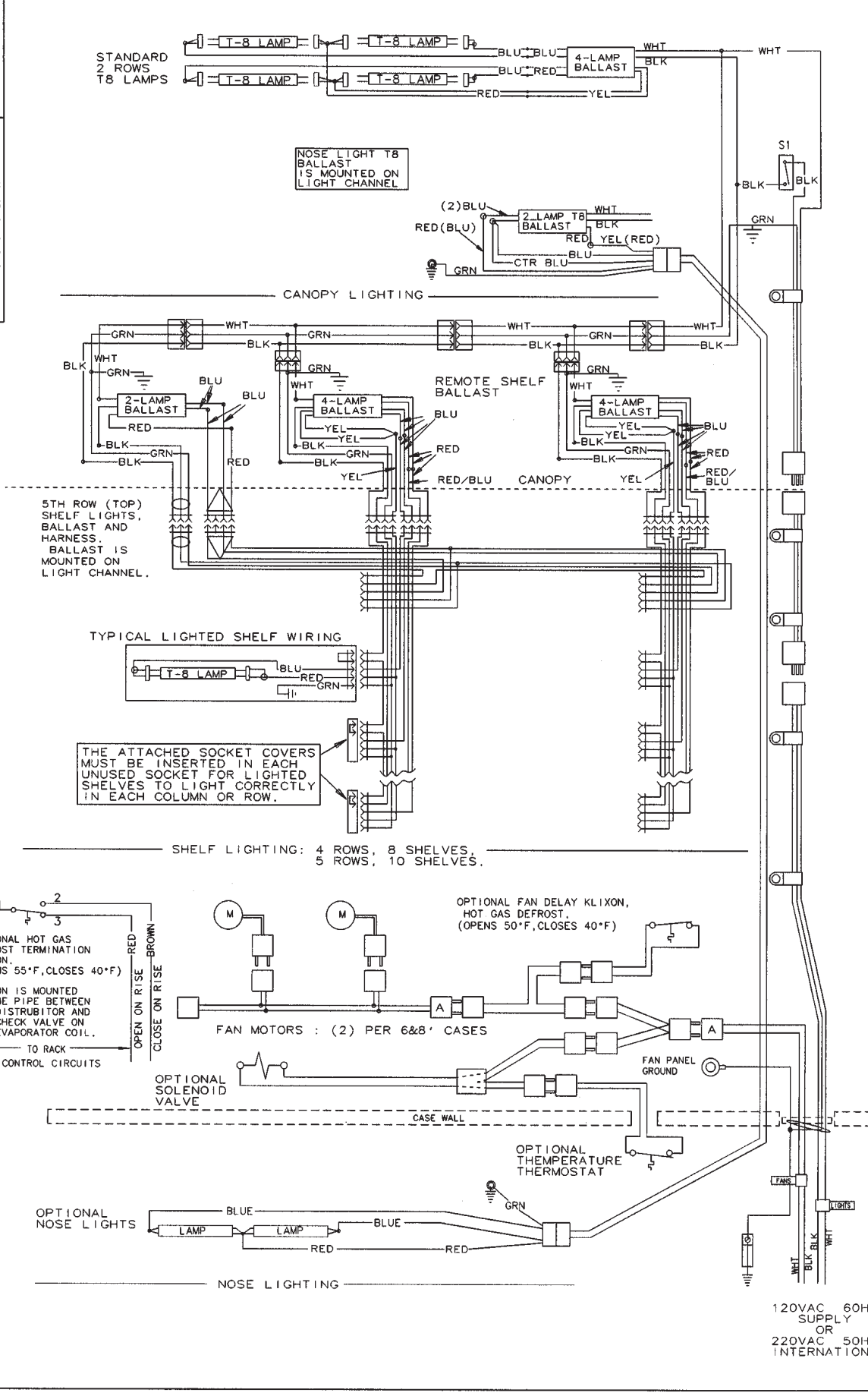


REV	DATE	BY	CHK	DESCRIPTION
B	02MAY02	LC	CK	DIAGRAM WRG OC-ELEC DFR N6DN(L M H) 6&8
	06OCT06	LC	CK	44884
				REVISD HARNESS COLORS TO HELP WIRE NOSE LIGHTS CORRECTLY
				RELEASE
				DATE
				27398
				9038746

NOTE : ALL CASES MUST BE GROUNDED



1. TYLER REFRIGERATION CLAIMS ALL RIGHTS TO THE INFORMATION ON THIS DRAWING ONLY.
2. ANY PARTS NOT BE USED WITHOUT PERMISSION.
3. SPECIFICATIONS ARE IN INCHES UNLESS OTHERWISE SPECIFIED.
4. ALL DIMENSIONS APPLY TO FINISHED PART AFTER POLISHING.
5. NO MANUAL REVISIONS ALLOWED.



REV	DATE	DESCRIPTION
B	03MAY02	DIAGRAM WRG HG DFR N6DN(L M H) 6&8
LC	LC	LC
CK	CK	CK
27398	27398	27398
9038748	9038748	9038748

REVISIONS

NO.	DATE	BY	CHK	DESCRIPTION
1	06OCT06	LC	VK	REVISED HARNESS COLORS TO HELP WIRE THE NOSE LIGHTS CORRECTLY
2	44884			

REVISIONS

NO.	DATE	DESCRIPTION
1	06OCT06	REVISED HARNESS COLORS TO HELP WIRE THE NOSE LIGHTS CORRECTLY

REVISIONS

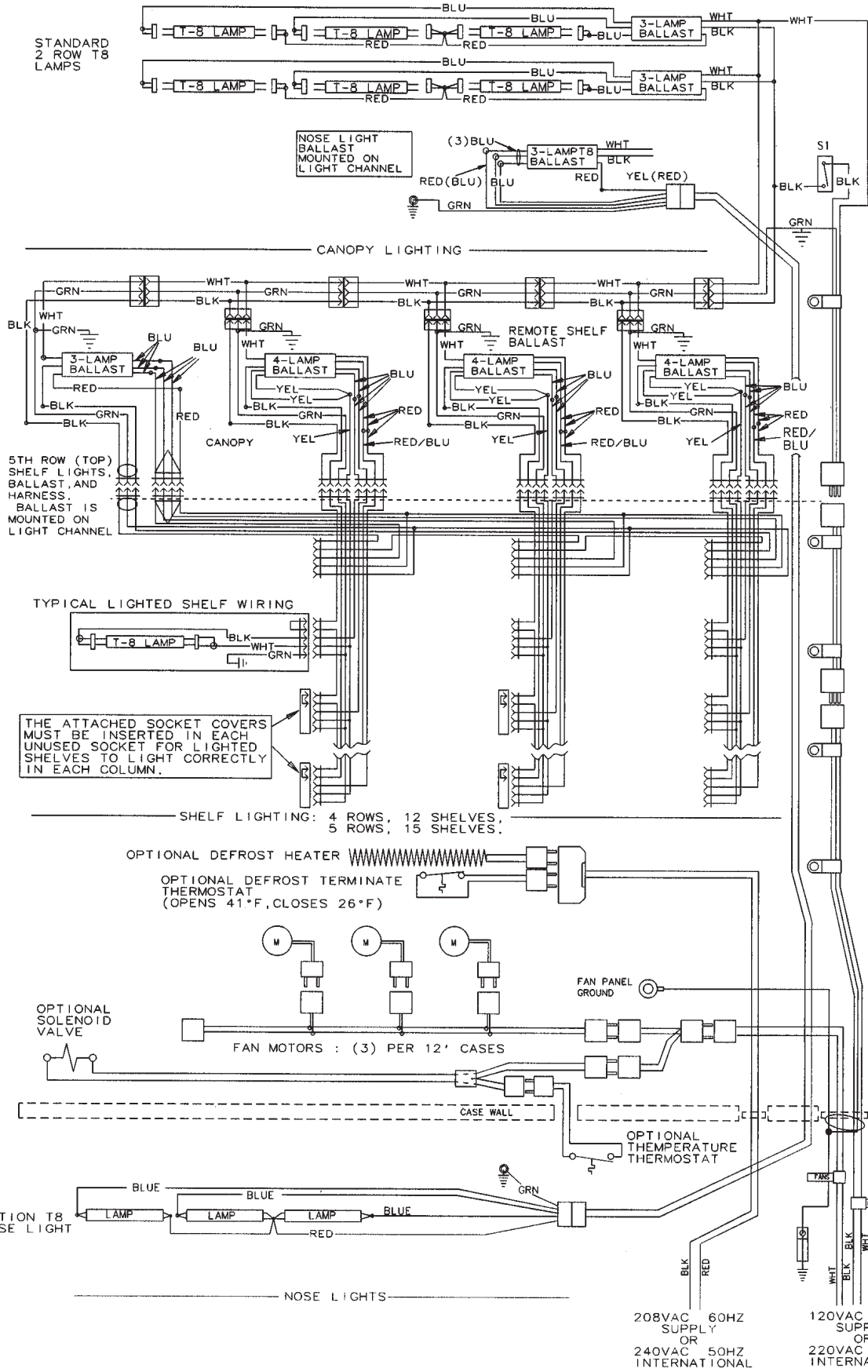
NO.	DATE	DESCRIPTION
1	06OCT06	REVISED HARNESS COLORS TO HELP WIRE THE NOSE LIGHTS CORRECTLY

NOTE : ALL CASES MUST BE GROUNDED

# N6DN(L, M, H) Domestic & Export (50 Hz) Case Circuits (12' Cases)



1. TYLER REGISTRATION CLAIMS ALL RIGHTS TO THE INFORMATION ON THIS DRAWING.
2. AND MAY NOT BE USED WITHOUT PERMISSION.
3. ALL DIMENSIONS ARE IN INCHES UNLESS OTHERWISE SPECIFIED.
4. DIMENSIONS APPLY TO FINISHED PART AFTER POLISHING.
5. NO MANUAL REVISIONS ALLOWED.



REV	DATE	BY	CHK	DESCRIPTION
B	02MAY02	LC	CK	DIAGRAM WRG OC-ELEC DFR N6DN(L M H)12
REV	DATE	BY	CHK	DESCRIPTION
B	09OCT06	LC	CK	44884
REV	DATE	BY	CHK	DESCRIPTION
B	1 DEC 86	LC	CK	DECIMALS +/- .030 ANGLES +/- 1 DEC
REV	DATE	BY	CHK	DESCRIPTION
B	02MAY02	LC	CK	REVISD WIRE COLORS TO HELP WIRE NOSE LIGHTS CORRECTLY

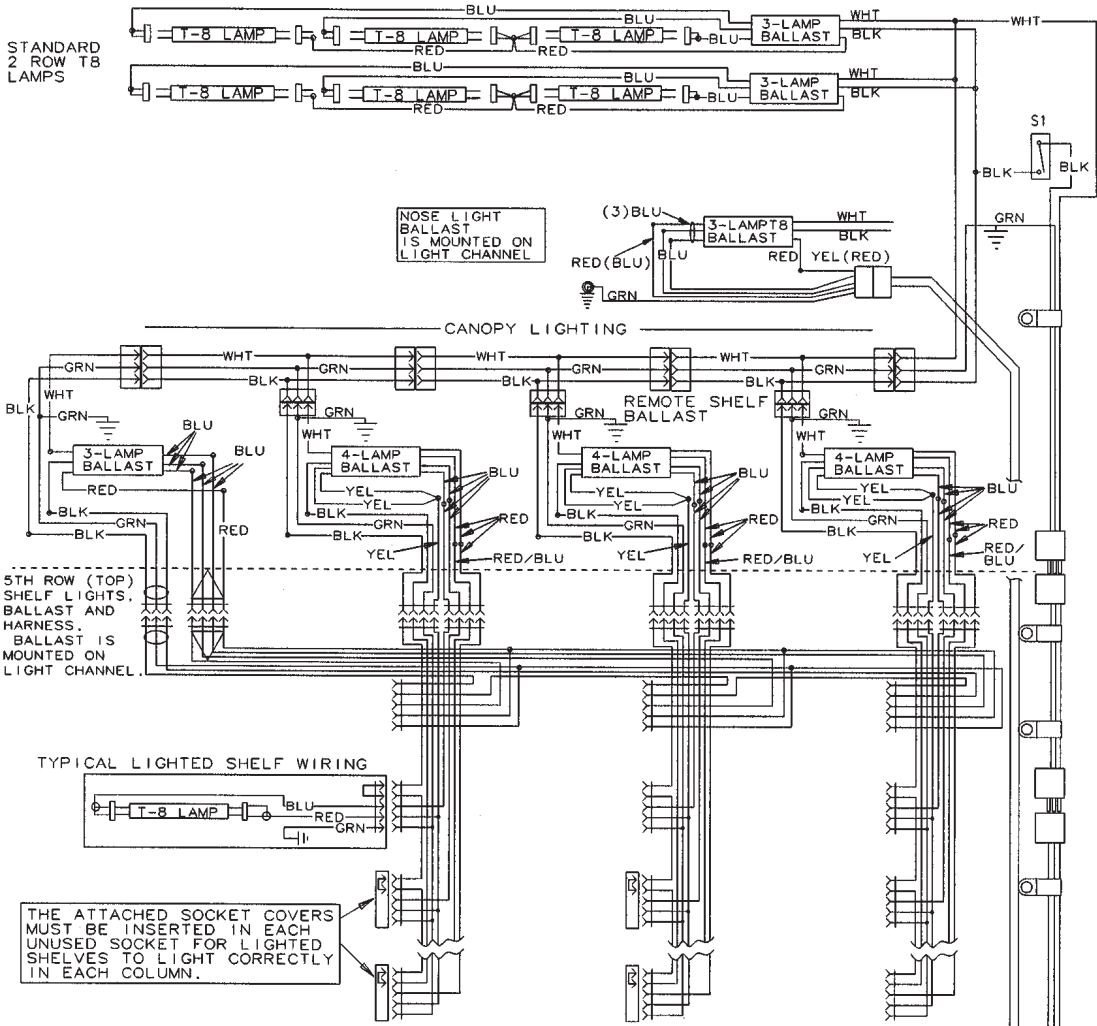
NOTE : ALL CASES MUST BE GROUNDED

9038747

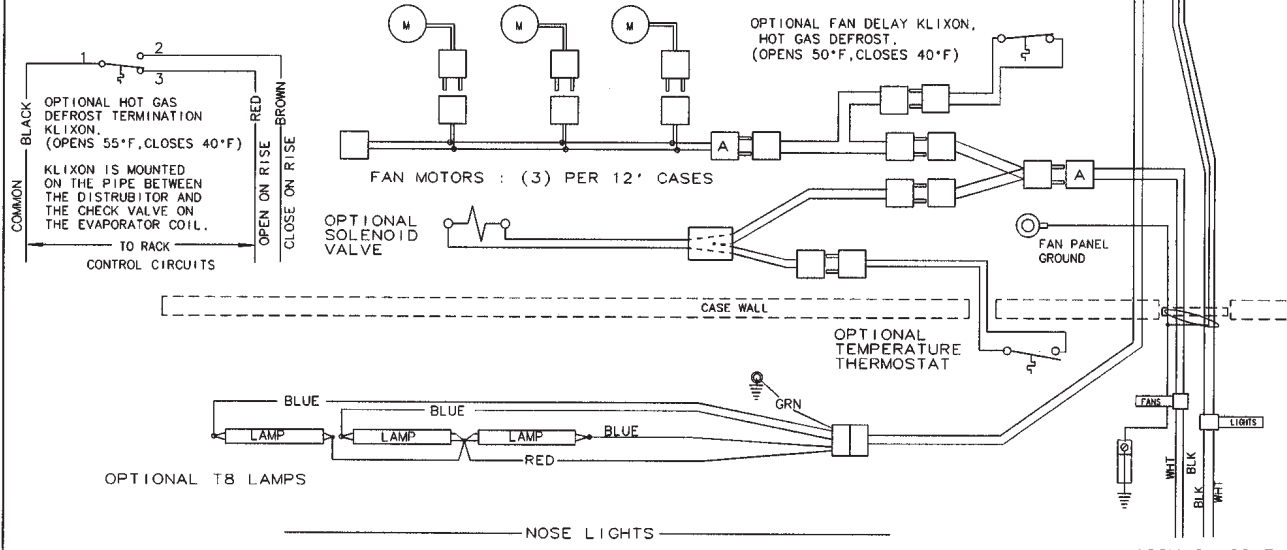


1. TYLER REFRIGERATION CLAIMS ALL RIGHTS TO THE INFORMATION ON THIS DRAWING.
2. IT MAY NOT BE USED WITHOUT PERMISSION.
3. ALL DIMENSIONS ARE IN INCHES UNLESS OTHERWISE SPECIFIED.
4. DIMENSIONS APPLY TO FINISHED PART AFTER FINISHING.
5. NO MANUAL REVISIONS ALLOWED.

STANDARD 2 ROW T8 LAMPS



SHELF LIGHTING: 4 ROWS, 12 SHELVES, 5 ROWS, 15 SHELVES.



120VAC 60HZ SUPPLY OR 220VAC 50HZ INTERNATIONAL

REV	DESCRIPTION	DATE	BY	CHK	REL	DATE	BY	CHK	REL
B	REVISED WIRE COLORS TO HELP WIRE NOSE LIGHTS CORRECTLY	090CT06	LC	CK	LC	03MAY02	LC	CK	LC
91	DECIMALS +/- .030 ANGLES +/- 1 DEGREE								

DIAGRAM WRG HG DFR N6DN(L M H)12

PART NO 9038749

REV 27398

NOTE : ALL CASES MUST BE GROUNDED

## **CLEANING AND SANITATION**

### **Component Removal and Installation Instructions for Cleaning**

#### **Shelves and Shelf Brackets**

1. Remove product from shelves.
2. If shelf has a light, unplug the light cord from the socket in the rear duct panel. Completely insert socket cover in the light socket to protect the receptacle.
3. Push shelves back and then lift up and out to remove them from the shelf brackets.
4. Remove shelf brackets from slots in rear uprights.
5. After cleaning, replace in reverse order.

#### **Bottom Trays**

1. Remove product from bottom of case.
2. Grasp and lift out each of the bottom trays from the case interior.
3. After cleaning, replace in reverse order.

#### **Front Air Ducts**

1. Remove lower trays, see this page.
2. Lift out front air duct sections.
3. After cleaning, replace in reverse order.

#### **Rear Duct Panels**

##### **(w/o Shelf Light Sockets)**

1. Remove shelves and bottom trays, see above.
2. Remove mounting screws and rear duct panels from case.
3. After cleaning, replace and secure rear duct panels in reverse order.

##### **(with Shelf Light Sockets)**

1. Remove shelves and bottom trays, see above.
2. For cases with 5 rows of lighted shelves, remove screw above top shelf socket and push socket assembly back through the hole in the rear duct panel.
3. Remove mounting screws from rear duct panel.

4. Slowly lift out rear duct panel until the shelf harness connector near the top of the panel can be accessed.
5. Disconnect shelf harness connector and complete removing the rear duct panel.

#### **WARNING**

**Rear duct panels with electrical receptacles can be cleaned without removing the electrical receptacles. Do not get moisture on electrical wires when cleaning under this cover. Moisture on wires could cause premature product failure and/or personal injury or death from electrical shock.**

6. After cleaning, reconnect the shelf harness connector: install the top socket assembly: replace and secure rear duct panels in reverse order.

#### **Discharge Air Honeycomb**

1. Loosen screws securing rear retainer plate.

#### **NOTE**

**Note position of the honeycomb grid during removal so it can be reinstalled the same way.**

2. Slide rear retainer plate back until the honeycomb grid sections can be removed from the top duct.

#### **CAUTION**

**Improper installation of the honeycomb grid section could result in improper air flow and/or poor refrigeration.**

3. After cleaning, replace honeycomb grid sections as they were removed and secure with the rear retainer plate and screws.

#### **Top Duct**

1. Remove shelves and shelf brackets, see above.
2. Remove screws, rear retainer plate and honeycomb grid sections from top of case.
3. Remove screws and top duct from case.
4. After cleaning, replace top duct and remaining components in reverse order.

**Front Cladding**

1. Remove front kickplate and raceway cover. (See General-UL/NSF I&S Manual.)
2. Remove color band, bumper and bumper retainer from the case. (See General-UL/NSF I&S Manual.)
3. Remove screws for top and bottom of front cladding and remove cladding.
4. After cleaning, replace front cladding and remaining front components in reverse order.

**Cleaning Instructions**

**WARNING**

**TYLER Refrigeration does not recommend the use of high pressure cleaning equipment on display cases!! High pressure cleaners can penetrate and/or damage joint seals. Damaged seals allow water leaks and/or air leaks that can cause poor case refrigeration.**

**CAUTION**

- **When cleaning this case, try not to introduce water into the case faster than it can be carried away by the waste outlet.**
- **Liquid chlorine bleach is corrosive to metals. The use of bleach or products containing bleach will damage metal surfaces and void the case warranty.**
- **Sanitize the case with Quaternary Ammonium Solutions (ex: KAYQUAT II, J-512 Sanitizer, SANIQUAT 512, etc...) approved per 21CFR 178.1010, followed by adequate draining and air drying. These solutions may be obtained from Kay Chemical Co., Johnson Wax Professional, Coastwide Laboratories, etc....**
- **Always use a soft cloth or sponge with mild detergent and water to clean any glass. Never use abrasives or scouring pads to clean glass. They can scratch and/or damage the glass.**

See “General (UL/NSF) I&S Manual” for case cleaning instructions.

**Stainless Steel Cleaning Methods**

The cleaning data in the following stainless steel cleaning chart was supplied by AISI. The information was supplied by Prime Metals Division, Alumax Aluminum Corporation.

<b><u>TYPE OF CLEANING</u></b>	<b><u>CLEANING AGENT*</u></b>	<b><u>APPLICATION METHOD**</u></b>	<b><u>EFFECT ON FINISH</u></b>
<b>Routine cleaning</b>	Soap, ammonia or detergent and water.	Sponge with cloth, then rinse with clear water and wipe dry.	Satisfactory for use on all finishes.
<b>Smears and fingerprints</b>	Arcal 20, Lac-O-Nu, Lumin Wash O’Cedar Cream Polish, Stainless Shine	Rub with cloth as directed on the package.	Satisfactory for use on all finishes. Provides barrier film
<b>Stubborn spots and stains, baked-on splatter, and other light discolorations</b>	Allchem Concentrated Cleaner	Apply with damp sponge or cloth.	Satisfactory for use on all finishes.
	Samae, Twinkle, or Cameo Copper Cleaner	Rub with damp cloth.	Satisfactory for use on all finishes if rubbing is light.
	Grade FFF Italian pumice, whiting or talc	Rub with damp cloth.	Use in direction of polish lines on No. 4 (polished) finish. May scratch No. 2 (mill) and No. 7 and 8 (polished) finishes.



<u>TYPE OF CLEANING</u>	<u>CLEANING AGENT*</u>	<u>APPLICATION METHOD**</u>	<u>EFFECT ON FINISH</u>
	Liquid NuSteel	Rub with dry cloth. Use a small amount of cleaner.	Use in direction of polish lines on No. 4 (polished) finish. May scratch No. 2 (mill) and No. 7 and 8 (polished) finishes.
	Paste NuSteel or DuBois Temp	Rub with dry cloth. Use a small amount of cleaner.	Use in direction of polish lines on No. 4 (polished) finish. May scratch No. 2 (mill) and No. 7 and 8 (polished) finishes.
	Cooper's Stainless Steel Cleaner, Revere Stainless Steel Cleaner	Apply with damp sponge or cloth.	Use in direction of polish lines on No. 4 (polished) finish. May scratch No. 2 (mill) and No. 7 and 8 (polished) finishes.
	Grade F Italian pumice, Steel Bright, Lumin Cleaner, Zud or Restoro	Rub with a damp cloth.	Use in direction of polish lines on No. 4 (polished) finish. May scratch No. 2 (mill) and No. 7 and 8 (polished) finishes.
	Penny-Brite or Copper-Brite	Rub with a dry cloth. Use a small amount of cleaner.	Use in direction of polish lines on No. 4 (polished) finish. May scratch No. 2 (mill) and No. 7 and 8 (polished) finishes.
<b>Heat tint or heavy discoloration</b>	Penny-Brite or Copper-Brite	Rub with a dry cloth.	Use in direction of polish lines on No. 4 (polished) finish. May scratch No. 2 (mill) and No. 7 and 8 (polished) finishes.
	Paste NuSteel or DuBois Temp	Rub with dry cloth. Use a small amount of cleaner.	Use in direction of polish lines on No. 4 (polished) finish. May scratch No. 2 (mill) and No. 7 and 8 (polished) finishes.
	Revere Stainless Steel Cleaner	Apply with a damp sponge or cloth.	Use in direction of polish lines on No. 4 (polished) finish. May scratch No. 2 (mill) and No. 7 and 8 (polished) finishes.
	Allen Polish, Steel Bright, Wyandotte or Zud	Rub with a damp cloth.	Use in direction of polish lines on No. 4 (polished) finish. May scratch No. 2 (mill) and No. 7 and 8 (polished) finishes.
<b>Burnt-on foods and grease, fatty acids, milkstone (where swabbing or rubbing is not practical)</b>	Easy-Off, De-Grease-It, 4-6% hot solution of such agents as trisodium tripolyphosphate, or 5-15% caustic soda solution	Apply generous coating. Allow to stand for 10-15 min. Repeated application may be necessary.	Excellent removal, satisfactory for use on all finishes.
<b>Tenacious deposits, rusty discolorations, industrial atmospheric stains</b>	Oakite No. 33, Dilac, Texo 12, Texo N.Y., Flash-Klenz, Caddy Cleaner, Turco Scale 4368 or Permaga 57.	Swab and soak with clean cloth. Let stand 15 minutes or more according to directions on package. Rinse and dry.	Satisfactory for use on all finishes.
<b>Hard water spots and scale</b>	Vinegar	Swab or wipe with a cloth. Rinse with water and dry.	Satisfactory for use on all finishes.
	5% oxalic acid, 5% sulamic acid, 5-10% phosphoric acid, or Dilac, Oakite No. 33, Texo 12 or Texo N.Y.	Swab or soak with a cloth. Let stand 10-15 minutes. Always follow with neutralizer rinse, and dry.	Satisfactory for use on all finishes. Effective on tenacious deposits or where scale has built up.

<u>TYPE OF CLEANING</u>	<u>CLEANING AGENT*</u>	<u>APPLICATION METHOD**</u>	<u>EFFECT ON FINISH</u>
Grease and oil	Organic solvents such as carbon tetrachloride, tri-chlorethylene, acetone, kerosene, gasoline, benzene, alcohol and chlorethane n.u.	Rub with a cloth. Organic solvents may be flammable and/or toxic. <b>Observe all precautions against fire. Do not smoke while vapors are present. Be sure area is well ventilated.</b>	Satisfactory for use on all finishes.

\* Use of proprietary names is intended only to indicate a type of cleaner, and does not constitute an endorsement, nor is omission of any proprietary cleanser to imply its inadequacy. It should be emphasized that all products should be used in strict accordance with instructions on package.

\*\* In all applications a sponge or fibrous brush or pad are recommended. DO NOT use ordinary steel wool, steel brushes, chlorine bleach or products containing bleach for cleaning or sanitizing stainless steel.

## GENERAL INFORMATION

### NSF Product Thermometer Installation

1. Unwrap the thermometer and bracket assembly shipped loose with the case.

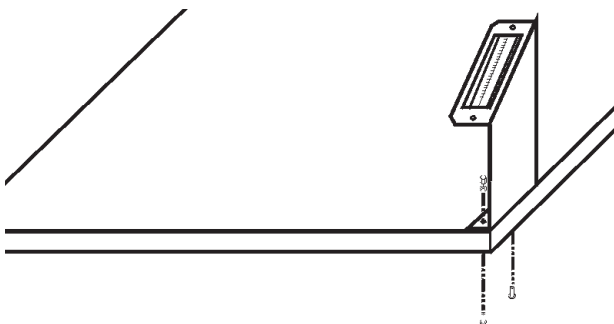
**NOTE**

**Recommended bottom tray position is with the lips up.**

2. Position bracket in front right corner of the right-most bottom tray. Making sure the bracket is flush with the right edge, use the bracket holes as a template for where to drill the holes.
3. Drill two .196" holes in the bottom tray.

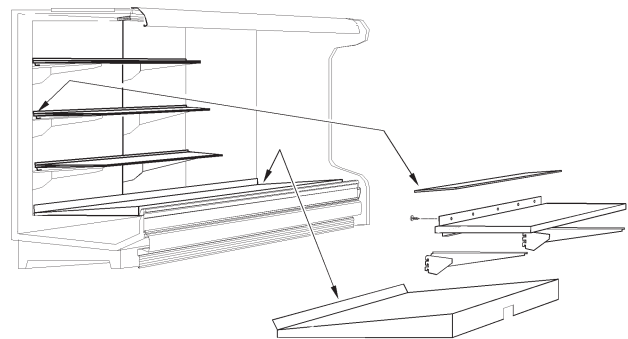
**NOTE**

**For ease of installation, position the washers and capnuts on the top side of the bracket and bottom tray.**



4. Mount the bracket to the bottom tray with two screws, washers and capnuts.

### Egg Merchandiser Kit (All Models)



All egg shelves come galvanized or stainless steel. The upper egg shelves are 15" x 48" and come with 82 degree fixed white brackets. The brackets are available in one position only. The upper egg shelves assemblies include a rear air close-off.

Tilted base egg shelves come in 4' modules. They are designed and notched to fit inside the existing 2' bottom trays.

**NOTE**

**Egg shelves are designed to catch and hold spilled liquids so they can be cleaned up before getting further into the case. If the tilted base shelves are used upside down, improper shelf support will result causing the middle of each shelves to sag. Upside down usage also allows drippage to get into the case making cleaning very difficult. Good sanitation is essential for egg merchandising.**

**Peg Bar Information**

The hang up blister pack has become a standard means of marketing sliced luncheon meats and other delicacies. It appears that all that is needed to adapt multi-shelf cases for these packages is to add peg bars and pegs. However, it isn't quite that simple, because the removal of shelves changes more than the appearance of the case.

Figure 1 shows the air flow in a Multi-Deck display merchandiser with shelves. Air flow from the top and back forms a protective barrier to ambient air.

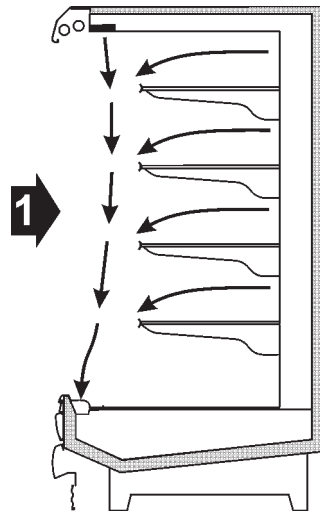


Figure 2 shows what happens to the air flow when the shelves are removed. The air drifts back to the rear duct and swirls about. This breaks the protective barrier, causing the case air to mix with ambient air to a great extent.

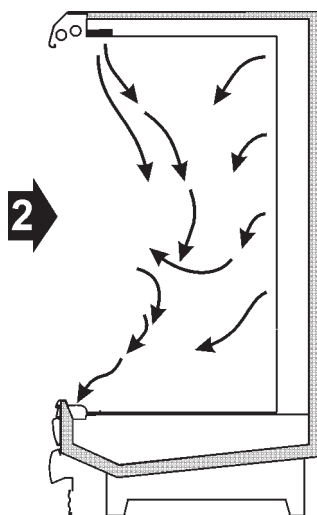
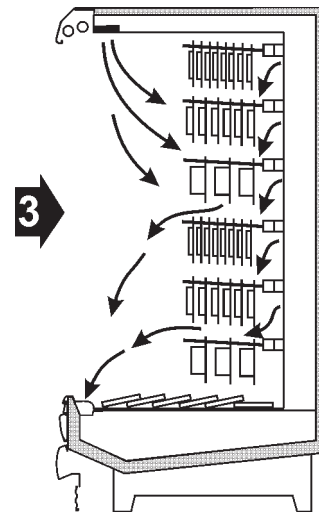


Figure 3 depicts what happens to the air flow in a case full of peg bars. The air falls through openings between packages and fails to maintain a protective barrier. When the bars are fully stocked, the effect is minimized, but product temperatures will not be as good as they could be. Sweating may be noticed on the top duct panel above the bars. The coil will also frost faster, requiring more frequent defrosts.



When the bars are fully stocked, the effect is minimized, but product temperatures will not be as good as they could be. Sweating may be noticed on the top duct panel above the bars. The coil will also frost faster, requiring more frequent defrosts.

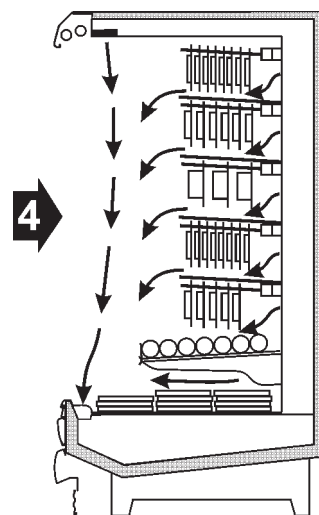


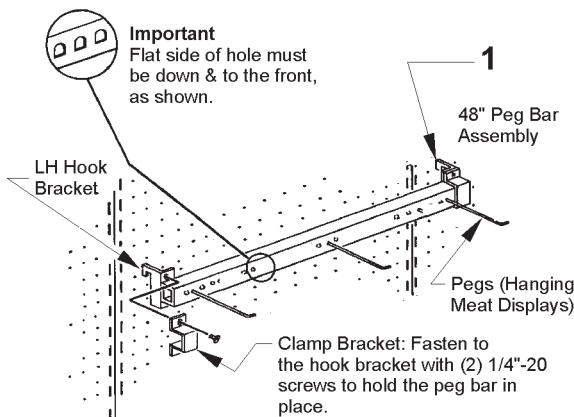
Figure 4 shows the proper air flow for cases with peg bars. The addition of a baffle above each row of peg bars, except the top row and a bottom shelf, maintains proper air flows and temperatures in the case. Non-load bearing air baffles should run the same width as the peg bars.

**CAUTION**

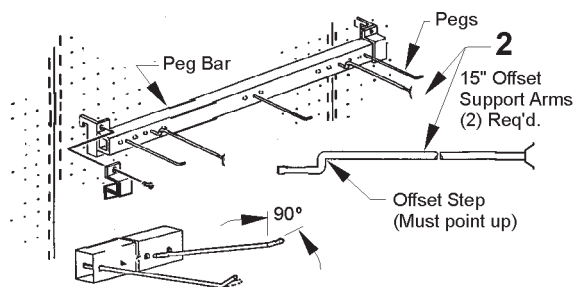
**Always use one row of shelves below the lowest row of peg bars. Use air baffles above each row of peg bars, except the top row. The air baffle should be solid in design and positioned 1" in front of the rear duct and 5.5" back from the rear edge of the card moulding. This provides and maintains the protective air flow in the case and proper product cooling and storage.**

## Peg Bar Information for Cannon Magna Bar Peg Bar Display Systems (TYLER supplied)

Air baffle shelves should always be used with peg bars for hanging meat displays. Air baffle shelves are non-load bearing and are used only to help direct the air flow. The air baffles should be installed above each row of peg bars, except the top row, along with a bottom shelf. Air baffles are available from TYLER that are compatible with 15" offset support arms.



1. 48" peg bar with 52 holes to accept pegs. Flat side of holes in peg bar must be down and to the front of the bar. Attach two hook brackets to peg bar with two clamp brackets and four screws. Position and install peg bar in slotted holes in back of case.



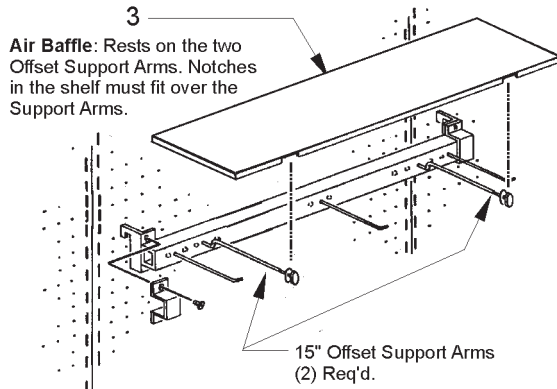
**Pegs:** After marking the desired locations for the Pegs on the Peg Bar, insert the Pegs by holding them at 90°, and insert into the holes so Peg points are up. Pull out Peg to seat properly on the Peg Bar.

2. 15" pegs and offset support arms lock in place on the peg bar.

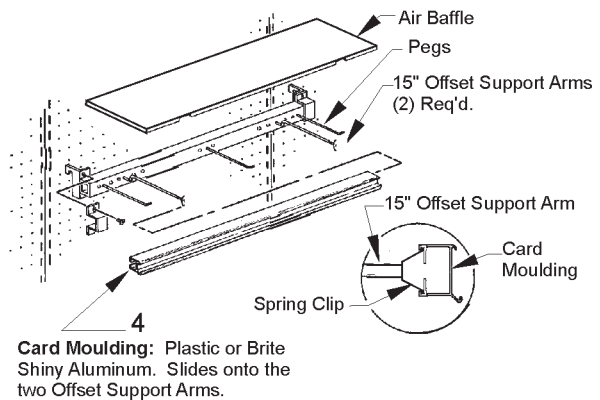
After marking the desired locations in the peg bar, install the pegs into peg bar holes. Hold peg at 90° angle to peg bar. Insert peg into hole in peg bar. Rotate peg until angled end

points up. Pull peg out until peg sits properly in the peg bar.

Offset support arms must be installed in the peg bar so the notches in the air baffle can fit over them. Install support arms in the same manner as the pegs (with offset up).



3. Non-load bearing air baffle should run the same width as the peg bar. Air baffle rests on the two offset support arms. The notches in the air baffle must fit over the support arms. **NOTE: The air baffle should be solid in design and positioned 1" in front of the rear duct and 5.5" back from the rear edge of the card moulding.**



4. Card moulding is offset 2" in front and 3/4" above the pegs.

Slide the card moulding onto the two offset support arms. Center the card moulding so it is aligned with the peg bar. Secure the card moulding on the offset support arms with two spring clips. To remove card moulding, squeeze each spring clip together until the card moulding releases.

TYLER 8 and 12 foot cases have four foot sections for merchandising. 6 foot cases have three foot sections for merchandising. Further guidelines for section to section merchandising are listed below:

**There are three basic ways that peg bars are used in our cases:**

**All peg bars at the same elevation:** TYLER recommends that peg bar rows in adjacent sections of a case (including baffles) be installed at the same elevation. This will ensure that air flow from the perforated rear duct panels flows in and around the food products displayed on the pegs to best maintain the foods at the desired core product temperatures.

**Peg bars at different elevations:** If you choose this merchandising method, TYLER recommends that a vertical plexiglas partition be installed between the adjoining sections. This will ensure that air flow from the perforated rear duct panels flows in and around the food products displayed on the pegs to best maintain the foods at the desired core product temperatures.

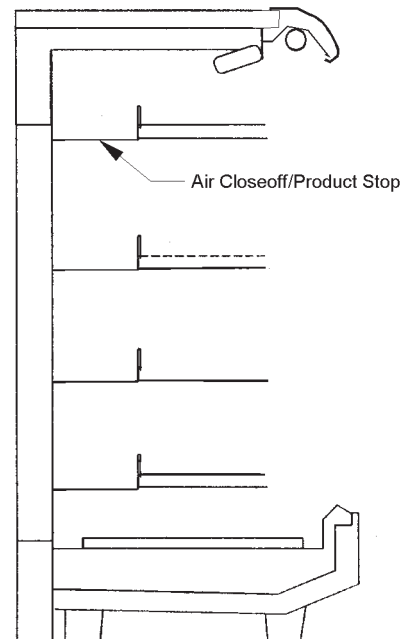
**Peg bars adjacent to TYLER shelving:** TYLER recommends a vertical plexiglas partition be installed between the adjoining sections. This will ensure that air flow from the perforated rear duct panels flows in and around the food products displayed on the pegs to best maintain the foods at the desired core product temperatures.

## Rear Load Air Close-Off Information (N6DLR & N6DMR)

### NOTE

The air close-off/product stops are attached to the shelves at the factory.

- 8' cases use 32 1/2" air close-offs.
- 12' cases use 32 1/2" RH & LH side air close-offs and 37 1/4" center air close-offs.

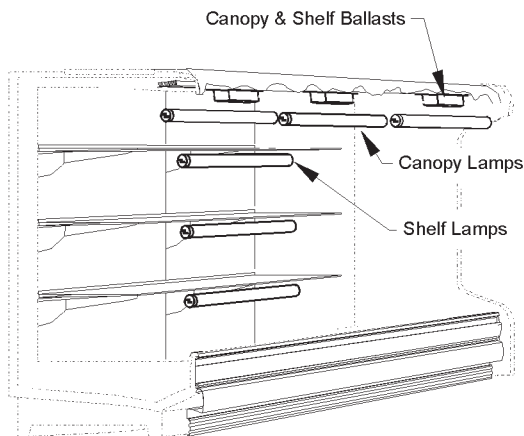


Shelves are shipped in the proper position. If shelves are removed, be sure they are replaced in the proper order. It is necessary for proper air flow in the case. Omit shelf shown by dotted line for cases with only three rows of shelves.

## SERVICE INSTRUCTIONS

See “General-UL/NSF I&S Manual” for T-8 lamp, canopy ballast, fan blade and motor, and color band and bumper replacement instructions.

### Ballast and Lighting Locations

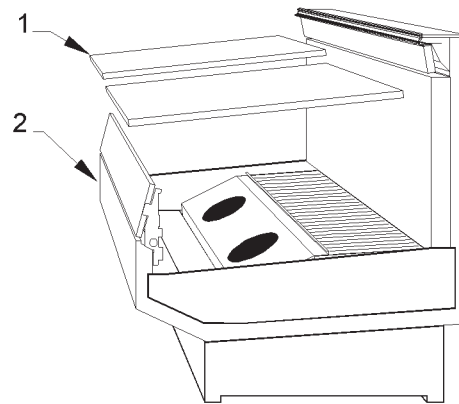


All light ballasts are located under the canopy and mounted above or on the top of the canopy light channel. This includes remote ballasts for optional shelf lights and optional nose lights. The canopy light(s) are under the canopy light channel in the top of the case. The optional shelf lights are mounted under the top interior liner above each shelf section.

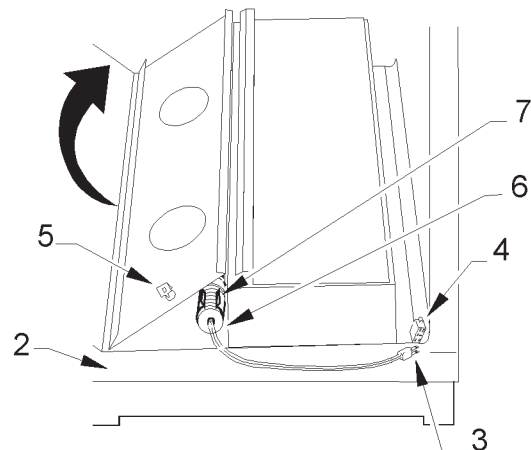
## Defrost Heater Replacement

### **WARNING**

Always shut off electricity to the entire case before replacing a defrost heater. Automatic cycling of fans or electrical power to wire ends could cause personal injury and/or death.



1. Remove bottom trays (1) from case (2).



2. Disconnect defrost heater plug (3) from junction block (4).
3. Remove mounting screws and lift up fan plenum (5).
4. Remove defrost heater (6) from mounting clips (7) and case (2).
5. Install new defrost heater (6) in reverse order.
6. Restore electrical power to case.

**PARTS INFORMATION****Operational Parts List**

Case Usage	Domestic			Export	
	115 Volt 60 Hertz			220 Volt 50 Hertz	
Case Size	4' / 6'	8'	12'	8'	12'
Fan Motors	5243498 9 Watt	5243498 9 Watt	5243498 9 Watt	9458942 18.3 Watt	9458942 18.3 Watt
Fan Motor Brackets	5205112	5205112	5205112	5205112	5205112
Fan Bracket Plate	9041077	9041077	9041077	9041077	9041077
Fan Blades (8.75" 35° 5B)	5643563	5643563	5643563	5643563	5643563
Opt. ECM Fan Motors	9025000 12 Watt	9025000 12 Watt	9025000 12 Watt	9025000 12 Watt	9025000 12 Watt
Opt. ECM Fan Motor Brackets	5205112	5205112	5205112	5205112	5205112
Opt. ECM Fan Blades (8.75" 35° 5B)	5643563	5643563	5643563	5643563	5643563
T-8 Ballast (canopy) (two lamp)	5966635	5966635	5966635	9028439	9028439
Opt. T-8 Ballast (nose light)	5991029	5991029	5991030	9028437	9028438
Opt. T-8 Ballast (5th row shelf lamp)	5991029	5991029	5991030	9028437	9028438
T-8 Lampholder	5232279	5232279	5232279	5232279	5232279
Light Switch	5100565	5100565	5100565	5100565	5100565
Opt. Elec. Defrost Heater	N/A / 9310403	5124521	5124522	5124521	5124522
Opt. Elec. Defrost Term. Klixon	9303214	9303214	9303214	9303214	9303214
Opt. Elec. Defrost Failsafe Klixon	9036671	9036671	9036671	9036671	9036671
Opt. Gas Defrost Term. Klixon	9023508	9023508	9023508	9023508	9023508
Opt. Gas Fan Delay Klixon	9303508	9303508	9303508	9303508	9303508
NSF Product Thermometer	5967100	5967100	5967100	5967100	5967100

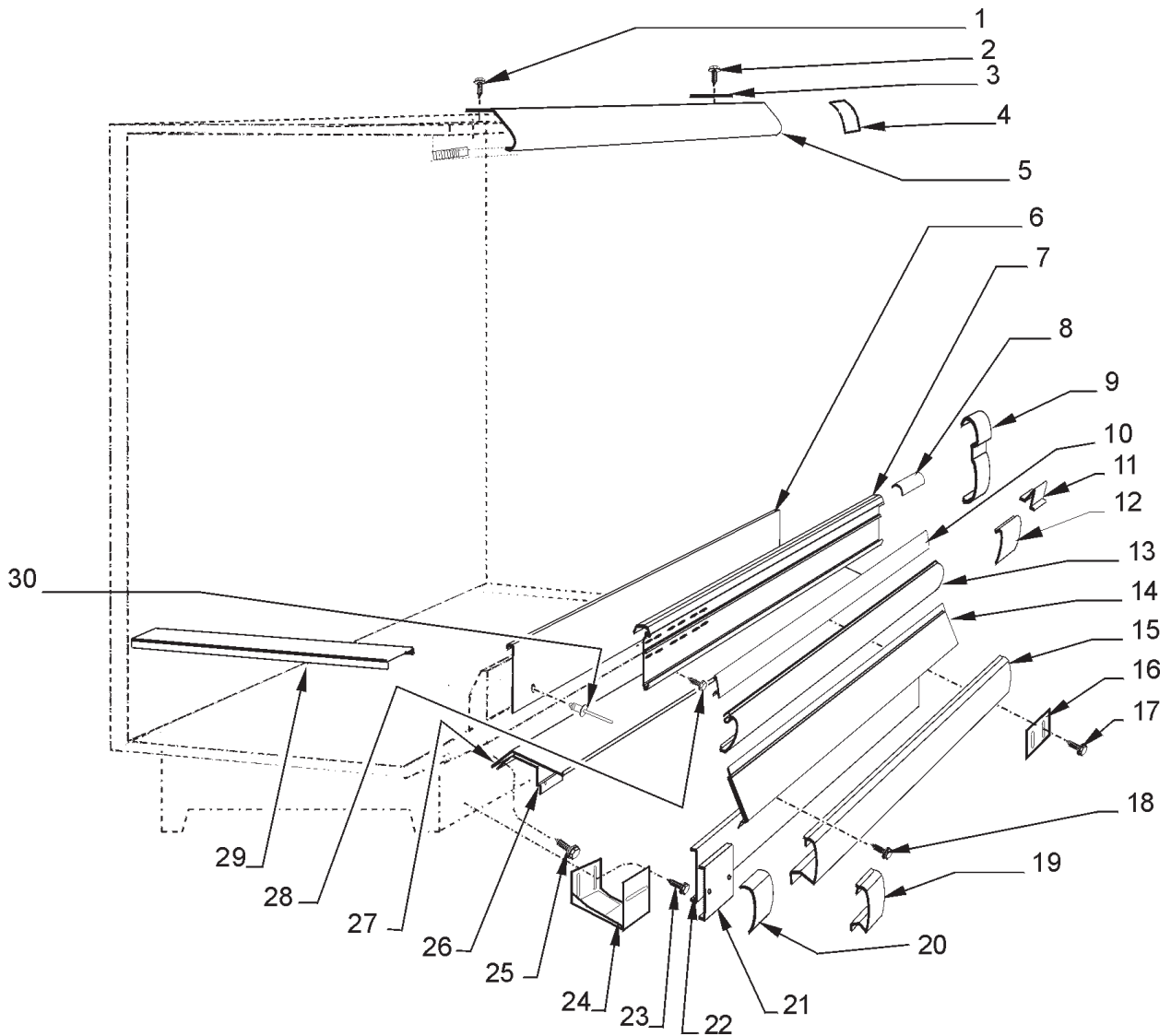
**For information on operational parts not listed above contact the TYLER Service Parts Department.**

**Cladding and Trim Parts List**

Item Description	4'	6'	8'	12'
1 Screw	5183536 (4)	5183536 (4)	5183536 (6)	5183536 (8)
2 Screw	5183536 (8)	5183536 (8)	5183536 (8)	5183536 (8)
3 End Cover	9026103 (2)	9026103 (2)	9026103 (2)	9026103 (2)
4 Can. Hood Joint Trim, Ptd.	9029422	9029422	9029422	9029422
5 Canopy Hood, Ptd.	9025221	9025222	9025223	9025224
6 Front Panel	9311775	5636774	5203468	5203469
7 Hand Rail/Bumper Retainer	----- color per order -----			
8 Hand Rail Backer	9025316	9025316	9025316	9025316
9 Bumper End Trim	----- color per order -----			
10 Color Band, Ptd.	9023790	9023795	9023798	9023800
11 Color Band Backer, Ptd.	9040223	9040223	9040223	9040223
12 Bumper Backer	----- color per order -----			
13 Bumper	----- color per order -----			
14 Front Cladding, Ptd.				
(N6DL)	9311746	9025135	9025136	9025137
(N6DM)	9304843	9025647	9025648	9025649
(N6DH)	----	9300395	9025650	9025651
(N6DLR)	----	----	9025648	9025649
(N6DMR)	----	----	9025650	9025651
(N6DNL)	----	9025135	9025136	9025137
(N6DNM)	----	9025647	9025648	9025649
(N6DNH)	----	9025135	9025136	9025137
15 Raceway Cover	----- color per order -----			
16 Raceway Cover Retainer	9023841 (2)	9023841 (2)	9023841 (4)	9023841 (6)
17 Screw (per retainer)	5183536 (2)	5183536 (2)	5183536 (2)	5183536 (2)
18 Screw	5183536 (5)	5183536 (7)	5183536 (9)	5183536 (12)
19 Raceway Cover End Trim	----- color per order -----			
20 Raceway Cover Backer	----- color per order -----			
21 Kickplate Joint Trim, Ptd.	9039020	9039020	9039020	9039020
22 Metal Kickplate, Ptd.	9324388	9324394	9324402	9324407
23 Shoulder Screw	9025833 (8)	9025833 (6)	9025833 (8)	9025833 (8)
24 Kickplate Support Assy.	9043402 (4)	9043402 (3)	9043402 (4)	9043402 (4)
25 Screw	5183536 (4)	5183536 (8)	5183536 (12)	5183536 (16)
26 Raceway Support	9041322 (4)	9041322 (4)	9041322 (6)	9041322 (8)
27 Raceway	9311760	9300242	9300243	9300244
28 Screw, Shoulder	9025833 (8)	9025833 (12)	9025833 (16)	9025833 (24)



Item Description	4'	6'	8'	12'
29 Horizontal End Trim (N6D)	5211585	5211585	5211585	5211585
(N6DR)	----	----	5211585	5211585
(N6DN)	----	9311972	9311972	9311972
30 Pop Rivet	5105037 (5)	5105037 (5)	5105037 (10)	5105037 (14)



N6DM ILLUSTRATED