

• N6F/N6FL MULTISHELF FROZEN FOOD / MEDIUM TEMPERATURE MERCHANDISERS •

Refrigeration Data:

MODEL	CASE LENGTH	CASE USAGE	CAPACITY (BTUH / FT)		EVAPORATOR (°F)	UNIT SIZING (°F)	DISCHARGE AIR			AVG. REF. CHARGE (LBS/FT)	
			PARALLEL	CONVENTIONAL			TEMP. (°F)	VELOCITY (FPM) PRIMARY / SECOND. / AMBIENT			
N6F/N6FL	6'/8'/12'	FROZEN FOOD	1,496*	1,584*	-20**	-23	-10	600***	400***	360***	1.0****
N6F/N6FL	6'/8'/12'	MEAT	1,473*	1,554*	+15**	+13	+24	600***	400***	360***	1.0****
N6F/N6FL	6'/8'/12'	DAIRY	1,399*	1,481*	+25**	+23	+35	600***	400***	360***	1.0****

* Capacity data listed for cases with 2 rows of T-8 canopy lights and one row of T-8 nose lights; or 3 rows of T-8 canopy lights, and up to 4 rows of unlighted shelves. For sizing all refrigeration equipment other than TYLER, use conventional BTUH values.

** Evaporator temperature is based on the saturated pressure leaving the case.

*** Air velocity measured 1 hour after defrost at the appropriate top discharge air duct using an ALNOR JR. velometer with a scoop.

****This is an average refrigeration charge per foot based on R22 and R404A refrigerant usage.

FOR SPECIFIC COMPRESSOR SIZING INFORMATION, REFER TO TYLER APPLICATIONS FOR RACK SYSTEM COMPRESSORS AND/OR THE COMPRESSOR MANUFACTURERS FOR SINGLE COMPRESSORS. FOR LINE SIZING INFORMATION, REFER TO THE MISCELLANEOUS SECTION "BUFF" IN THE TYLER SPECIFICATION GUIDE.

Electrical Data:

Fans (120 Volt)

MODEL	CASE LENGTH	FANS PER CASE PRIM. / SEC. / AMB.			TOTAL STANDARD FANS						TOTAL ECM FANS					
					AMPS			WATTS			AMPS			WATTS		
					PRIM.	SEC.	AMB.	PRIM.	SEC.	AMB.	PRIM.	SEC.	AMB.	PRIM.	SEC.	AMB.
N6F/N6FL	6'	2	2	1	2.00	0.68	0.34	165.2	60.4	30.2	1.06	0.44	0.22	44.0	22.0	11.0
N6F/N6FL	8'	2	2	2	2.00	0.68	0.68	165.2	60.4	60.4	1.06	0.44	0.44	44.0	22.0	22.0
N6F/N6FL	12'	3	3	2	3.00	1.02	0.68	247.8	90.6	60.4	1.59	0.66	0.44	66.0	33.0	22.0

Heaters (120 and 208 Volt)

MODEL	CASE LENGTH	TOTAL ANTI-SWEATS (120 V)				TOTAL DEFROST HEATERS (208 V)	
		DISCHARGE AIR		TOP SHELF		COIL	
		AMPS	WATTS	AMPS	WATTS	AMPS	WATTS
N6F/N6FL	6'	0.30	36	1.27	152	19.47	4,050
N6F/N6FL	8'	0.30	36	1.90	229	25.96	5,400
N6F/N6FL	12'	0.45	54	2.53	303	41.83	8,700

T-8 Lighting with Electronic Ballasts (120 Volt)

MODEL	CASE LENGTH	CANOPY LIGHTS* --- PER ROW						NOSE LIGHT		MAX. LIGHTING (3 ROWS)	
		AMPS			WATTS			AMPS	WATTS	AMPS	WATTS
		1	2	3	1	2	3				
N6F	6'	0.42	0.75	N/A	50.0	90.0	N/A	0.42	50.0	1.17	140.0
N6F	8'	0.50	0.95	N/A	60.0	114.0	N/A	0.50	60.0	1.45	174.0
N6F	12'	0.70	1.40	N/A	84.0	168.0	N/A	0.70	84.0	2.10	252.0
N6FL	6'	0.40	0.75	1.17	48.0	90.0	140.0	N/A	N/A	1.17	140.0
N6FL	8'	0.50	0.95	1.45	60.0	114.0	174.0	N/A	N/A	1.45	174.0
N6FL	12'	0.70	1.40	2.10	84.0	168.0	252.0	N/A	N/A	2.10	252.0

* Standard lighting for N6F cases is 2 rows of T-8 canopy lights and 1 row of nose lights with electronic ballasts.

Standard lighting for N6FL cases is 3 rows of T-8 canopy lights with electronic ballasts.

208 VOLT DEFROST (AMPS)									
FT	6'	8'	12'	16'	20'	24'	28'	32'	36'
3 PH	11.2 DF-3-30	15.0 DF-3-30	23.0 DF-3-30	15/15 DF-3-30-30	15/23 DF-3-30-30	23/23 DF-3-30-30	15/15/23 DF-3-30-30-30	15/23/23 DF-3-30-30-30	23/23/23 DF-3-30-30-30
CASE-TO-CASE SUCTION LINE SUB-FEED BRANCH LINE SIZING									
R404A	7/8"	1 1/8"	1 1/8"	1 3/8"	1 3/8"	1 5/8"	1 5/8"	1 5/8"	2 1/8"

CASE CIRCUITS: In addition to the 208V defrost circuit, there is the 120V case fan circuit plus the 120V case anti-sweat circuit. Shelf or canopy lights require a separate 120V circuit, which can be switched at the back room for convenience in controlling the lights.

UL SANITATION approved in accordance with ANSI/NSF – 7.

CASE BTUH REQUIREMENTS are calculated to produce approximately the indicated entering-air temperature with absolute maximum operating ambient limits of **75°F & 55RH.**

The information contained herein is based on technical analysis and/or tests performed in a controlled lab environment that are consistent with industry practices, and is intended as a reference for system sizing and configuration purposes only and for use by persons having technical skill at their own discretion and risk. Conditions of use are outside of Tyler's control and we do not assume and hereby disclaim any liability for results obtained or damages incurred through application of or reliance on the data presented, including but not limited to specific energy consumption with any particular model or installed application. SPECIFICATIONS ARE SUBJECT TO CHANGE WITHOUT NOTICE.

Defrost Data:

DEFROST TYPE	DEFROSTS PER DAY	DURATION TIME (MIN)	TERMINATION TEMP. (°F)	EPR SETTINGS **		DEFROST WATER (LB / FT / DAY)
				R22 (PSIG)	R404A (PSIG)	
ELECTRIC	2-3	40	55	10	17	8.25
HOT GAS	3-4	22-25	60*	10	17	8.25

* If an Electronic Sensor is used for termination, it should be set at 70°F termination temperature.

** Set EPR to give this pressure at the case.

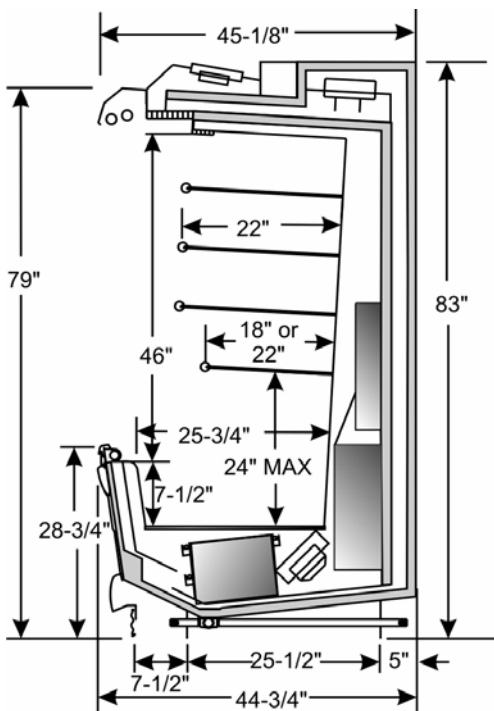
ELECTRIC DEFROST: Requires a 3-Phase 208V supply for defrost heaters, controlled by the defrost clock and breaker(s) at the machine panel, a 3 pole contactor, and defrost limit switch in each case. Setting of the switch is 52°F.

GAS DEFROST: Uses a limit thermostat, along with a primary fan klixon which cycles the primary fans OFF above 60°F.

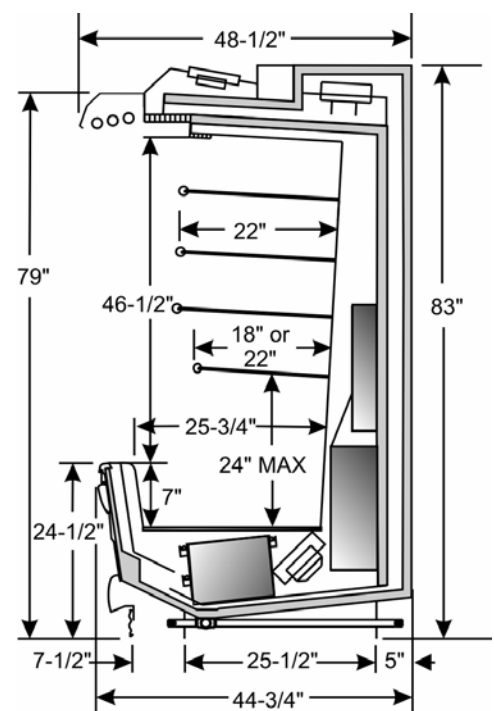
AMBIENT AIR BAND: This case has a third air band which directs ambient air in front of the Air Screens to provide an extra barrier to warm air infiltration.

PRESSURE CONTROL SETTINGS: Without Thermostat and Solenoid, 13# Cut-In, 7# Cut-Out. (With Thermostat and Solenoid, 19# Cut-In, 0# Cut-Out – OPTIONAL).

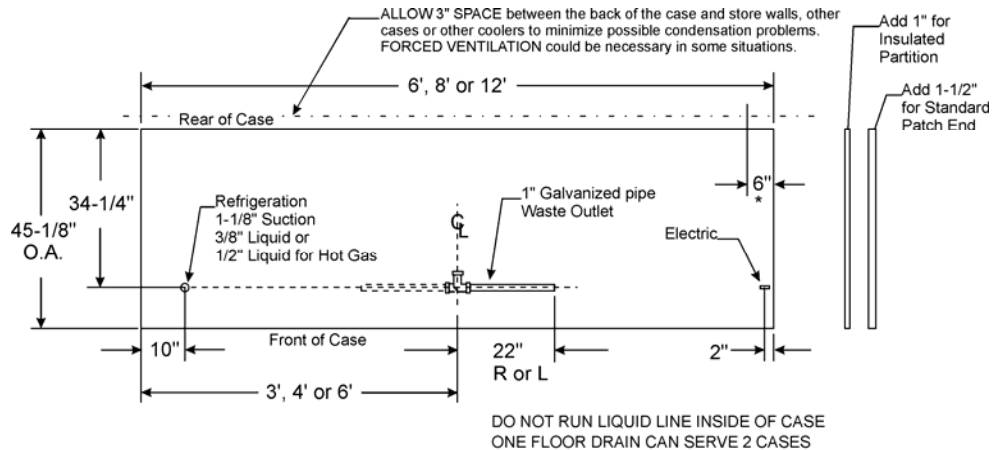
N6F CROSS SECTION



N6FL CROSS SECTION



N6F/N6FL FLOOR PLAN



* 208 Volt circuit is required at the top of this case for the defrost contactor