

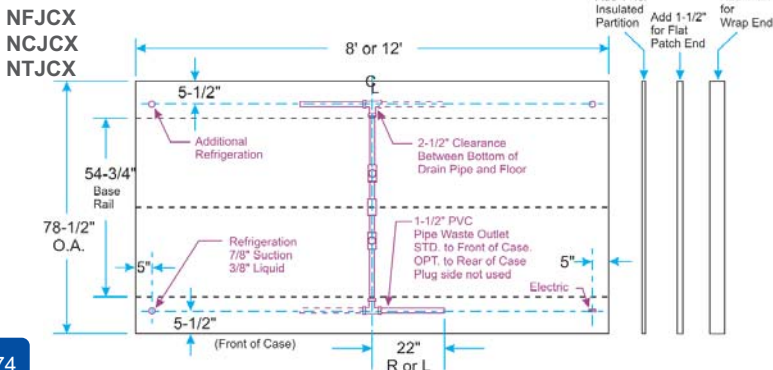
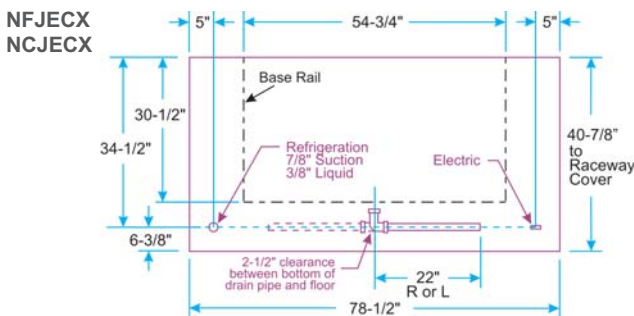
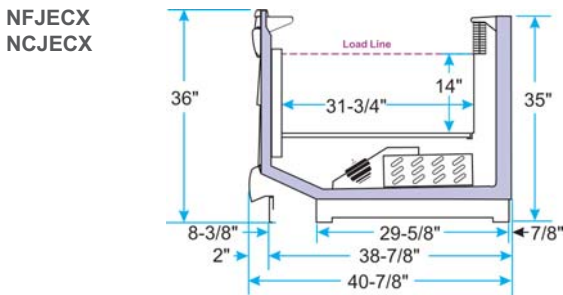
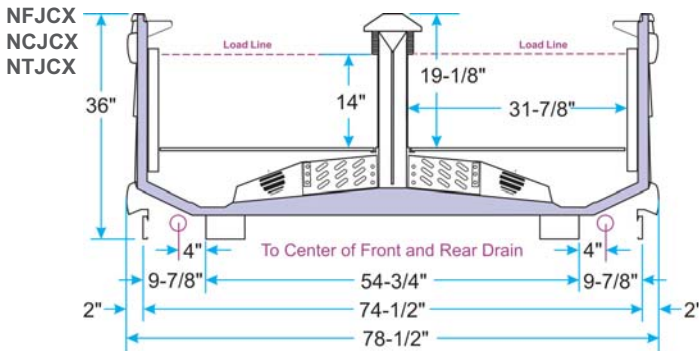
Low Temperature Jumbo Island Merchandisers



NFJCX, NCJCX, NTJCX, NFJECX, NCJECX



Model NFJ12CX & NFJECX Island shown



NFJCX, NCJCX, and NTJCX island merchandisers are solid perimeter, wide-island aisle cases designed to merchandise frozen food, ice cream, or medium temperature food items. The NTJCX also provides a split-coil in each well which offers the additional versatility of having a dual-temperature set up for multiple temperature product offerings.

Features & Benefits

- Energy-efficient copper tube and aluminum fin coils.
- Durable, non-metallic corner protectors are available in colors to match bumpers.
- Solid steel base adds strength and durability.
- Easily removable interior components for quicker cleaning.
- Fan assembly design allows access to coil and drain pan.
- Dual-temperature split coils in each well (for model NTJCX) allows merchandising of both frozen foods with ice cream, or frozen foods with medium temperature products.
- Labeled plug-n-play wiring speeds installation and setup.
- Electric defrost.

Options

- ECM fan motors for additional energy savings.
- Adjustable white powder-coated display screens enhance product presentation.
- Dual-temperature options are also available for NFJCX and NTJCX merchandisers.
- Lighted superstructure shelving allows additional merchandising options for non-refrigerated products.
- Flat or wrap-around ends for end cases.
- Gas defrost.

Specifications are subject to engineering changes without notice.

Model	Case Length	Description	Capacity in Cubic Feet
NFJCX	8' • 12'	Solid Front Frozen Food Jumbo Island, standard coil	50.8 • 76.1
NCJCX	8' • 12'	Solid Front Ice Cream Jumbo Island, standard coil	50.8 • 76.1
NTJCX	8' • 12'	Solid Front Frozen Food / Med Temp Jumbo Island, std coil	50.8 • 76.1
NFJECX	78-1/2"	Solid Front Frozen Food Island End, standard coil	17.5
NCJECX	78-1/2"	Solid Front Ice Cream Island End, standard coil	17.5

Optional Accessories



Lighted or non-lighted Center Riser Superstructures, available with or without shelving, provides more display area for non-refrigerated products.

Frozen Foods