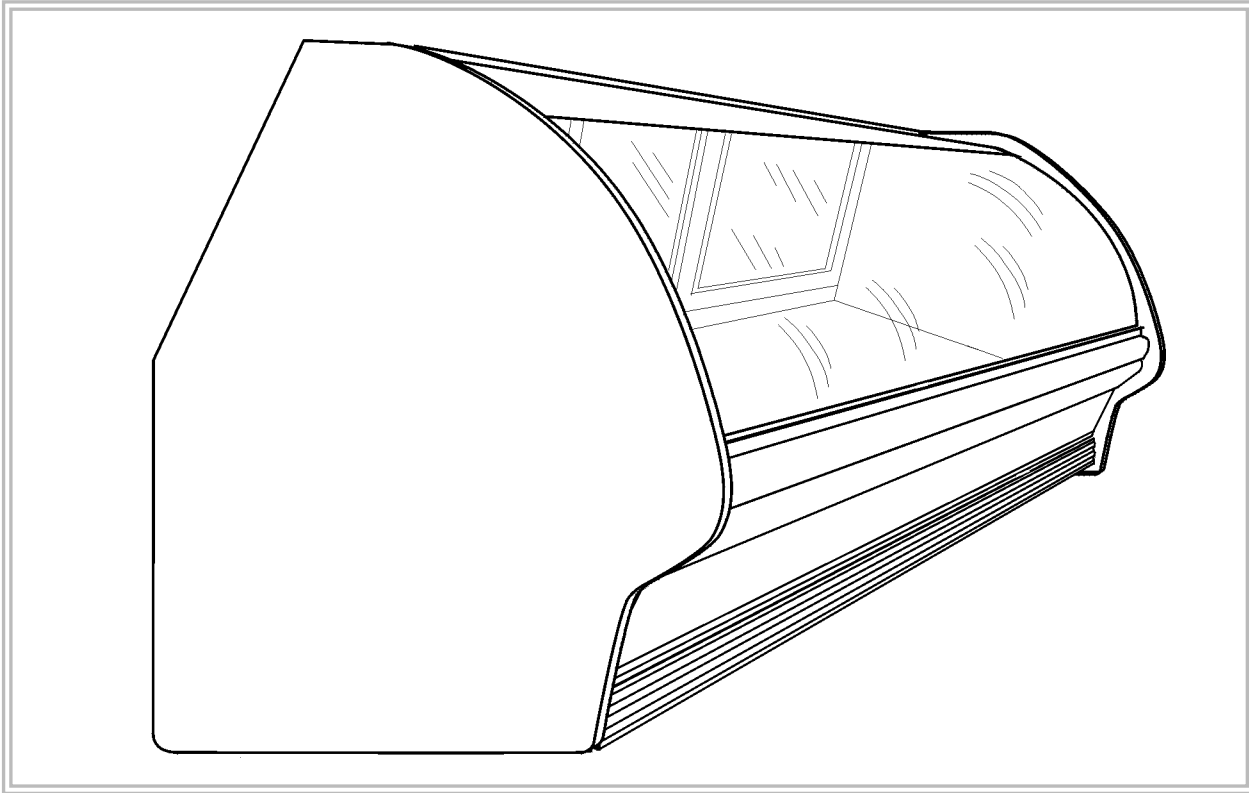


Replacement Parts ^{series} Advantage



Curved Front Glass Meat/Seafood/Deli Merchandiser

Production began October 6, 2000

9000617	NFL6	Low-Temp	6' Fixed Front Glass Meat Service Merchandiser
9000000	NFL8	Low-Temp	8' Fixed Front Glass Meat Service Merchandiser
9000000	NFL12	Low-Temp	12' Fixed Front Glass Meat Service Merchandiser
9000518	NFM6	Med-Temp	6' Fixed Front Glass Meat Service Merchandiser
9000519	NFM8	Med-Temp	8' Fixed Front Glass Meat Service Merchandiser
9000520	NFM12	Med-Temp	12' Fixed Front Glass Meat Service Merchandiser
9000521	NFF6	Med-Temp	6' Fixed Front Glass Seafood Service Merchandiser
9000522	NFF8	Med-Temp	8' Fixed Front Glass Seafood Service Merchandiser
9000523	NFF12	Med-Temp	12' Fixed Front Glass Seafood Service Merchandiser
9000524	NFD6	Med-Temp	6' Fixed Front Glass Deli Service Merchandiser
9000525	NFD8	Med-Temp	8' Fixed Front Glass Deli Service Merchandiser
9000526	NFD12	Med-Temp	12' Fixed Front Glass Deli Service Merchandiser

NFM • NFF • NFD • NFL



Issue date: OCTOBER 2000

Replaces issue:

Part number: 9037180

Revision:

Tyler Refrigeration Corporation Niles, MI 49120
Parts information subject to change without notice
Printed in U.S.A.

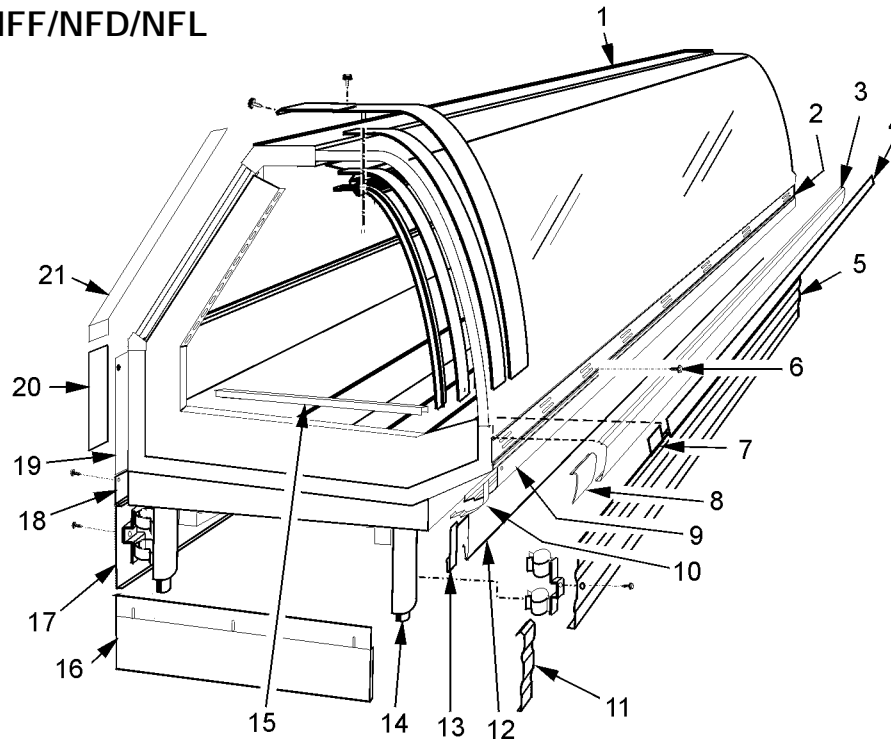


CONTENTS

	<u>Page</u>
Cladding, Covers and Trims	C1-C5
Structural Components	
Fixed Curved Front Glass	S1
Rear Doors & Outside Mullion Covers	S2-S3
Rear Inside Mullion Covers	S4,S5
Ducts and Z-Bars	S6-S8
Patch Ends, Partitions and Dividers	
Solid Patch Ends	S9
Solid Patch Ends with Glass	S10
1" Solid Partitions	S11
Electrical System Components	
Wiring Harnesses	
Wiring and Components	E1
Fan Systems	E2
Top Lights	E3, E4
Optional Nose Light	E5
Refrigeration System Components	
Coil Assemblies	R1-R4
Electric Defrost	R5
Optional Hot Gas Defrost	R6
Optional Case Accessories	
Shelf Assemblies	A1-A5
Screens, Fences, and Trays	A6-A8
Thermometers	A9-A10



CLADDING, COVERS AND TRIMS
STANDARD CASE HEIGHT - 52"
NFM/NFF/NFD/NFL



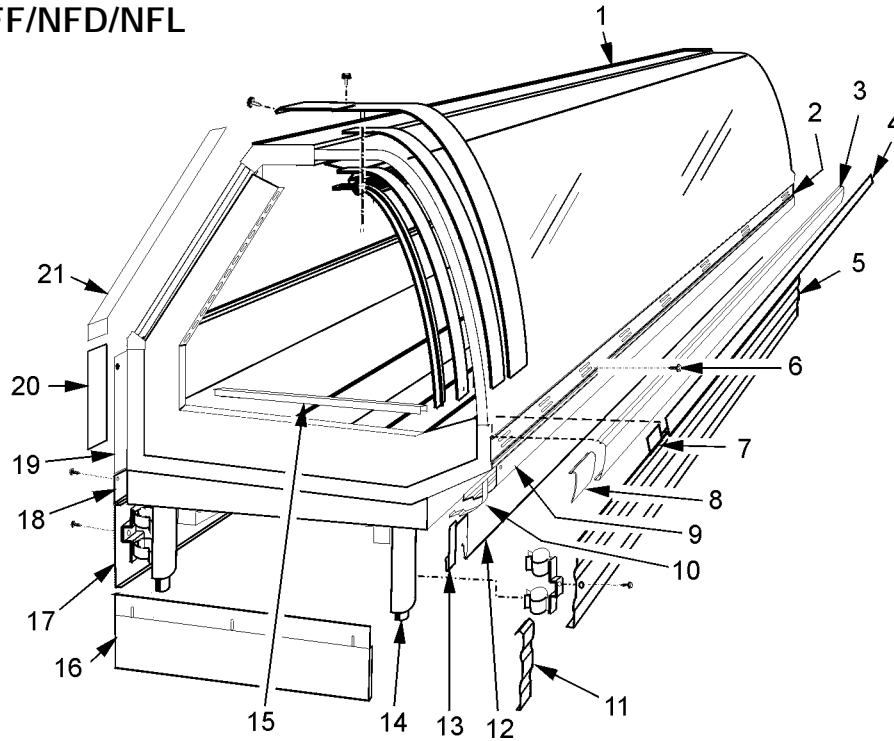
6', 8' and 12' Merchandiser

Item	Part No.	Quantity.			Description	Item	Part No.	Quantity.			Description
		6'	8'	12'				6'	8'	12'	
1	5233428	1	-	-	Rear Top Cladding-BRT/SS	12	9043822	1	-	-	LWR FR Cladding, Ptd.-52"
	5233429	-	1	-	Rear Top Cladding-BRT/SS		9043823	-	1	-	LWR FR Cladding, Ptd.-52"
	5233430	-	-	1	Rear Top Cladding-BRT/SS		9043824	-	-	1	LWR FR Cladding, Ptd.-52"
	9024814	3	5	7	Screw	13	9043893	1	1	1	LWR FR CLDG JT Trim-52"
2	9025052	1	-	-	Bumper RTNR-Misty Gray		9024814	4	4	4	Screw
	9025058	-	1	-	Bumper RTNR-Misty Gray		9043890	1	1	1	LWR FR CLDG End Trim-52"
	9025061	-	-	1	Bumper RTNR-Misty Gray		9024814	2	2	2	Screw
3	+	1	1	1	Bumper	14	9024894	6	6	8	Pipe Legs- 9 3/4"
4	9025979	1	-	-	Color Band, Ptd.	15	9037279	1	1	1	LWR JT Cover
	9025980	-	1	-	Color Band, Ptd.	16	9043066	1	1	1	LH Base End Close-off
	9025981	-	-	1	Color Band, Ptd.		9024986	1	1	1	RH Base End Close-off
5	9024937	1	-	-	Kickplate Assy.-52"		5208265	3	3	3	Screw
	9024938	-	1	-	Kickplate Assy.-52"		5243597	3	3	3	Flat Washer
	9024939	-	-	1	Kickplate Assy.-52"		5100661	3	3	3	Nut
6	9025833	12	16	20	Shoulder Screw	17	9024934	1	-	-	RR Base Close-off Assy.,-52"
7	9025655	1	1	1	Color Band Backer, Ptd.		9024935	-	1	-	RR Base Close-off Assy.,-52"
8	+	1	1	1	Bumper Backer		9024936	-	-	1	RR Base Close-off Assy.,-52"
9	9024922	1	-	-	UPR Front Cladding, Ptd.	18	9024929	1	-	2	Rear Rail Cover-6'
	9024923	-	1	-	UPR Front Cladding, Ptd.		9024928	-	2	-	Rear Rail Cover-4'
	9024924	-	-	1	UPR Front Cladding, Ptd.		9043080	16	24	32	Screw
	5183536	8	9	11	Screw	19	9024770	1	-	-	Lower Rear Shell Cover
10	9043829	1	1	1	UPR FR CLDG JT Trim		9024771	-	1	-	Lower Rear Shell Cover
	9024814	4	4	4	Screw		9024772	-	-	1	Lower Rear Shell Cover
	9043828	1	1	1	UPR FR CLDG End Trim		9024814	6	7	12	Screw
	9024814	2	2	2	Screw	20	9603948	1	1	1	LWR RR JT Trim
11	9043816	1	1	1	Kickplate Joint Trim		9043080	4	4	4	Screw
	5619204	4	4	4	Screw	21	9603945	1	1	1	UPR RR JT Trim
							9043080	4	4	4	Screw

+ See pages C2 thru C4 for parts breakdown per color.



CLADDING, COVERS AND TRIMS
OPTIONAL CASE HEIGHT - 3 3/4" LOWER
NFM/NFF/NFD/NFL



6', 8' and 12' Merchandiser

Item	Part No.	Quantity.			Description	Item	Part No.	Quantity.			Description
		6'	8'	12'				6'	8'	12'	
1	5233428	1	-	-	Rear Top Cladding-BRT/SS	12	9043825	1	-	-	LWR FR Cladding, Ptd.-48"
	5233429	-	1	-	Rear Top Cladding-BRT/SS		9043826	-	1	-	LWR FR Cladding, Ptd.-48"
	5233430	-	-	1	Rear Top Cladding-BRT/SS		9043827	-	-	1	LWR FR Cladding, Ptd.-48"
	9024814	3	5	7	Screw	13	9043891	1	1	1	LWR FR CLDG JT Trim-48"
2	9025052	1	-	-	Bumper RTNR-Misty Gray		9024814	4	4	4	Screw
	9025058	-	1	-	Bumper RTNR-Misty Gray		9043890	1	1	1	LWR FR CLDG End Trim-48"
	9025061	-	-	1	Bumper RTNR-Misty Gray		9024814	2	2	2	Screw
3	+	1	1	1	Bumper	14	9024893	6	6	8	Pipe Legs- 6"
4	9025979	1	-	-	Color Band, Ptd.	15	9037279	1	1	1	LWR JT Cover
	9025980	-	1	-	Color Band, Ptd.	16	9024980	1	1	1	Base End Close-off
	9025981	-	-	1	Color Band, Ptd.		5208265	3	3	3	Screw
5	9024974	1	-	-	Kickplate Assy.-48"		5243597	3	3	3	Flat Washer
	9024975	-	1	-	Kickplate Assy.-48"		5100661	3	3	3	Nut
	9024976	-	-	1	Kickplate Assy.-48"	17	9024934	1	-	-	RR Base Close-off Assy.,-48"
6	9025833	12	16	20	Shoulder Screw		9024935	-	1	-	RR Base Close-off Assy.,-48"
7	9025655	1	1	1	Color Band Backer, Ptd.		9024936	-	-	1	RR Base Close-off Assy.,-48"
8	+	1	1	1	Bumper Backer	18	9024929	1	-	2	Rear Rail Cover-6'
9	9024922	1	-	-	UPR Front Cladding, Ptd.		9024928	-	2	-	Rear Rail Cover-4'
	9024923	-	1	-	UPR Front Cladding, Ptd.		9043080	16	24	32	Screw
	9024924	-	-	1	UPR Front Cladding, Ptd.	19	9024770	1	-	-	Lower Rear Shell Cover
	5183536	8	9	11	Screw		9024771	-	1	-	Lower Rear Shell Cover
10	9043829	1	1	1	UPR FR CLDG JT Trim		9024772	-	-	1	Lower Rear Shell Cover
	9024814	4	4	4	Screw		9024814	6	7	12	Screw
	9043828	1	1	1	UPR FR CLDG End Trim	20	9603948	1	1	1	LWR RR JT Trim
	9024814	2	2	2	Screw		9043080	4	4	4	Screw
11	9043816	1	1	1	Kickplate Joint Trim	21	9603945	1	1	1	UPR RR JT Trim
	5619204	4	4	4	Screw		9043080	4	4	4	Screw

+ See pages C2 thru C4 for parts breakdown per color.



CLADDING, COVERS AND TRIMS - (CONT'D)
NFM/NFF/NFD/NFL - 6'

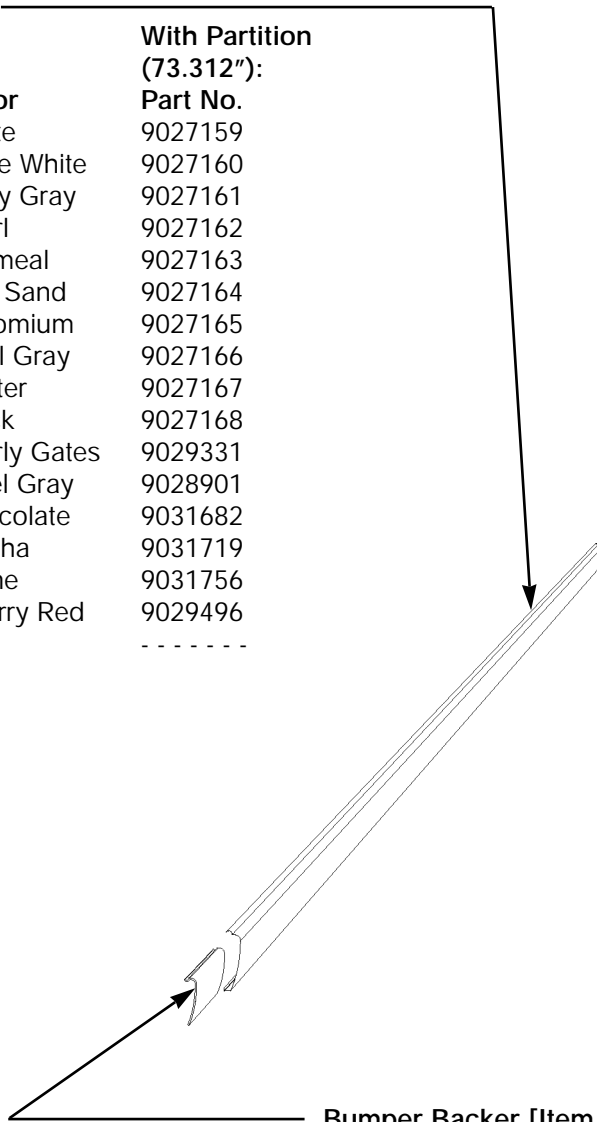
Bumper [Item 4]

**Without Partition
(72.312"):**

Part No.	Color
9025031	White
9025261	Bone White
9025282	Misty Gray
9025303	Pearl
9025324	Oatmeal
9025345	Soft Sand
9025366	Chromium
9025387	Cool Gray
9025408	Oyster
9025429	Black
9026501	Pearly Gates
9028899	Steel Gray
9031680	Chocolate
9031717	Mocha
9031754	Stone
9029494	Cherry Red
9044002	Teal

**With Partition
(73.312"):**

Part No.
9027159
9027160
9027161
9027162
9027163
9027164
9027165
9027166
9027167
9027168
9029331
9028901
9031682
9031719
9031756
9029496



Bumper Backer [Item 9]

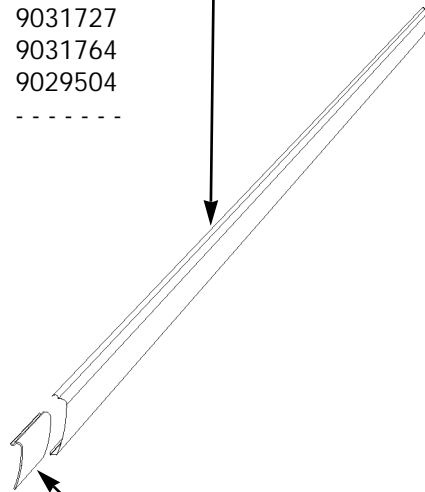
Part No.	Color
9025023	White
9025028	Bone White
9025035	Misty Gray
9025038	Pearl
9025041	Oatmeal
9025079	Pearly Gates
9025253	Soft Sand
9025258	Chromium
9025265	Cool Gray
9025268	Oyster
9025271	Black
9028883	Steel Gray
9031884	Chocolate
9031885	Mocha
9031886	Stone
9029581	Cherry Red
9044004	Teal



CLADDING, COVERS AND TRIMS - (CONT'D)

NFM/NFF/NFD/NFL - 8'

Bumper [Item 4] Without Partition (96.437"):		With Partition (97.437"):
Part No.	Color	Part No.
9025037	White	9027189
9025267	Bone White	9027190
9025288	Misty Gray	9027191
9025309	Pearl	9027192
9025330	Oatmeal	9027193
9025351	Soft Sand	9027194
9025372	Chromium	9027195
9025393	Cool Gray	9027196
9025414	Oyster	9027197
9025435	Black	9027198
9028906	Steel Gray	9028908
9029335	Pearly Gates	9029337
9031688	Chocolate	9031690
9031725	Mocha	9031727
9031762	Stone	9031764
9029502	Cherry Red	9029504
9044003	Teal	-----



Bumper Backer [Item 9]

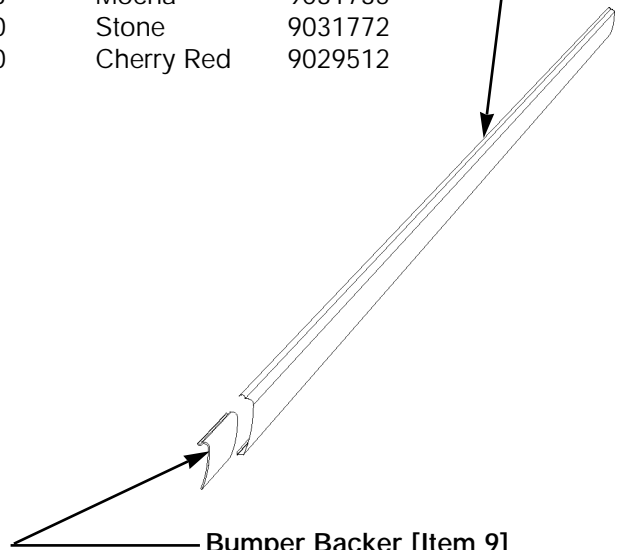
Part No.	Color
9025023	White
9025028	Bone White
9025035	Misty Gray
9025038	Pearl
9025041	Oatmeal
9025079	Pearly Gates
9025253	Soft Sand
9025258	Chromium
9025265	Cool Gray
9025268	Oyster
9025271	Black
9028883	Steel Gray
9031884	Chocolate
9031885	Mocha
9031886	Stone
9029581	Cherry Red
9044004	Teal



CLADDING, COVERS AND TRIMS - (CONT'D)

NFM/NFF/NFD/NFL - 12'

Bumper [Item 4] Without Partition (144.562"):		With Partition (145.562"):
Part No.	Color	Part No.
9025040	White	9027209
9025069	Pearly Gates	9029341
9025270	Bone White	9027210
9025291	Misty Gray	9027211
9025312	Pearl	9027212
9025333	Oatmeal	9027213
9025354	Soft Sand	9027214
9025375	Chromium	9027215
9025396	Cool Gray	9027216
9025417	Oyster	9027217
9025438	Black	9027218
9028913	Steel Gray	9028915
9031696	Chocolate	9031698
9031733	Mocha	9031735
9031770	Stone	9031772
9029510	Cherry Red	9029512

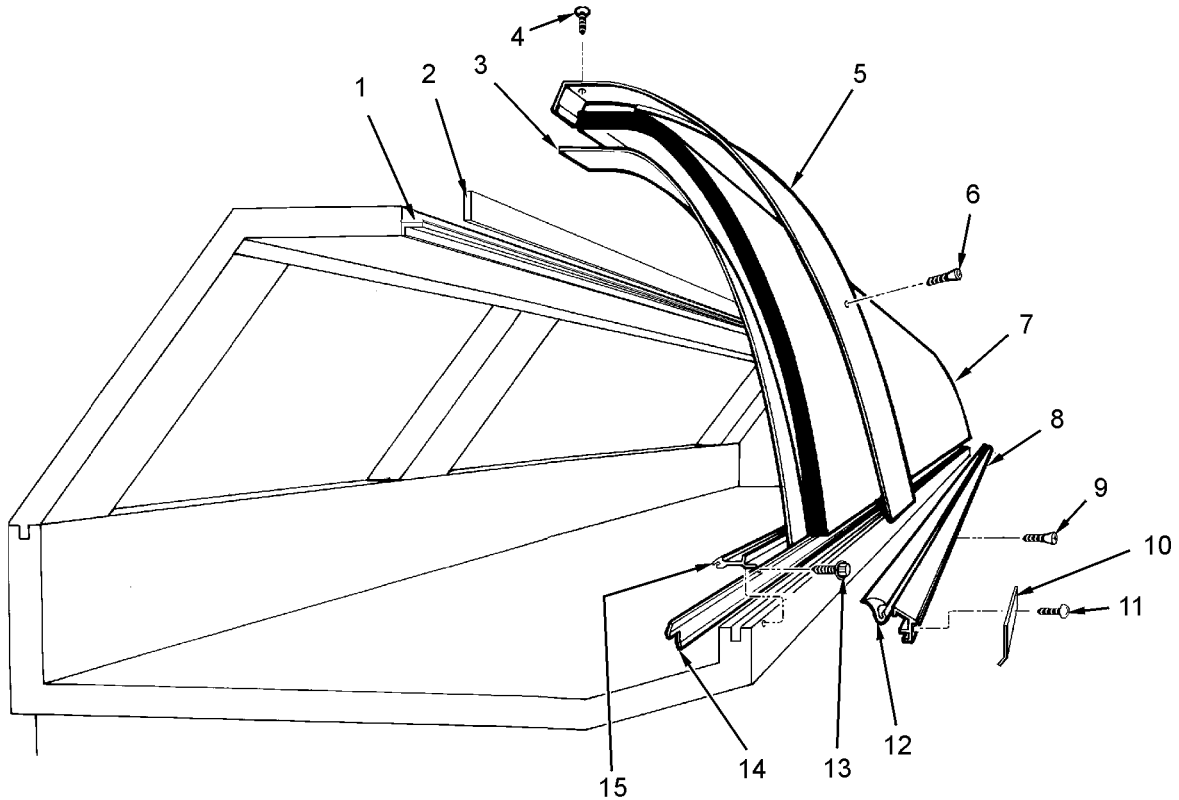


Bumper Backer [Item 9]

Part No.	Color
9025023	White
9025028	Bone White
9025035	Misty Gray
9025038	Pearl
9025041	Oatmeal
9025079	Pearly Gates
9025253	Soft Sand
9025258	Chromium
9025265	Cool Gray
9025268	Oyster
9025271	Black
9028883	Steel Gray
9031884	Chocolate
9031885	Mocha
9031886	Stone
9029581	Cherry Red
9044004	Teal



STRUCTURAL COMPONENTS
FIXED CURVED FRONT GLASS - NFM/NFF/NFD/NFL

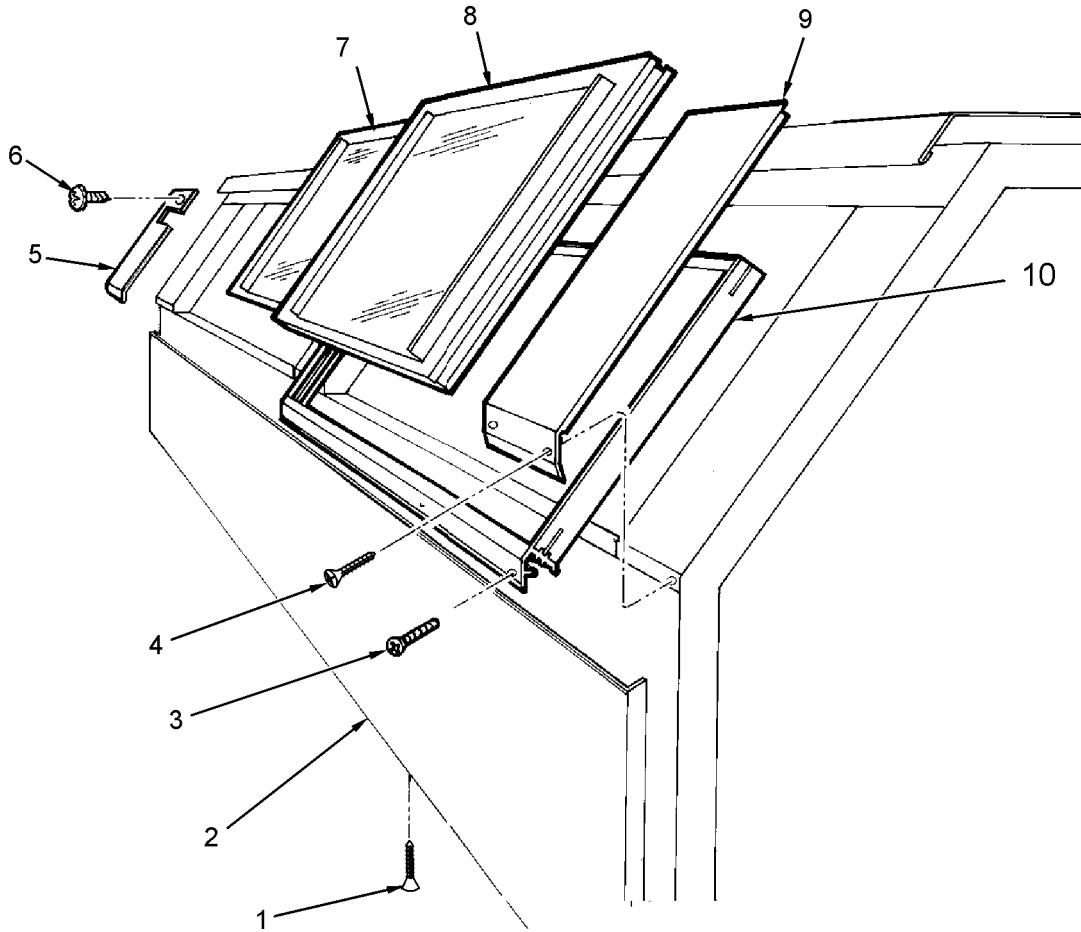


6', 8' and 12' Merchandiser

Item	Part No.	Quantity			Description	Item	Part No.	Quantity			Description
		6'	8'	12'				6'	8'	12'	
1	5107190	6'	8'	12'	Foam Tape - 1/8"						
2	5146470	6'	8'	12'	Foam Tape - 1/4"	8	5240403	1	-	-	Front Glass Retainer
3	9028859	1	1	1	Front Joint Trim		5240404	-	1	-	Front Glass Retainer
	5107191	A/R	A/R	A/R	Insulated Tubing		5240405	-	-	1	Front Glass Retainer
	5223866	A/R	A/R	A/R	Black Sealant Tape, 3"	9	5612692	4	6	8	Screw
4	5205439	4	4	4	Screw	10	9028730	1	1	1	Front Glass Retainer
	5223244	4	4	4	Acorn Nut						Joint Trim
5	9023104	1	1	1	Top Joint Trim	11	5100212	2	2	2	Screw
	5223866	A/R	A/R	A/R	Black Sealant Tape, 3"	12	5238565	6'	8'	12'	Front Glass Seal
6	5612692	3	3	3	Screw	13	5183536	3	3	4	Screw
7	5233285	1	-	-	Front Glass (NFM/NFF/NFD)	14	5234819	1	-	-	Front Liner Cover
	5233286	-	1	-	Front Glass (NFM/NFF/NFD)		5234820	-	1	-	Front Liner Cover
	5233287	-	-	1	Front Glass (NFM/NFF/NFD)		5234821	-	-	1	Front Liner Cover
	5233953	1	-	-	Front Glass (NFL)	15	5221358	1	-	-	Glass Support
	5233954	-	1	-	Front Glass (NFL)		5962072	-	1	-	Glass Support
							5962073	-	-	1	Glass Support



STRUCTURAL COMPONENTS - (CONT'D)
 REAR DOORS & MULLION COVERS- NFM/NFD/NFF

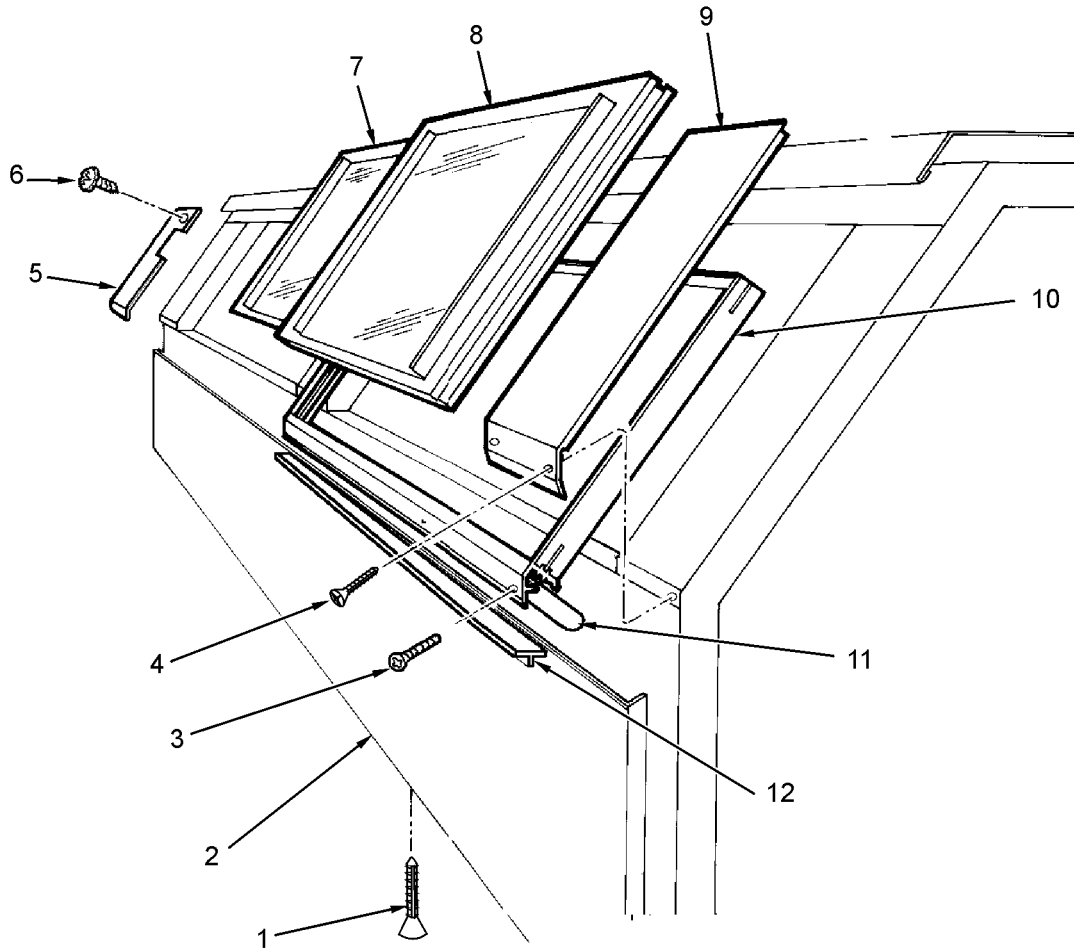


6', 8' and 12' Merchandiser

Item	Part No.	Quantity.			Description	Item	Part No.	Quantity.			Description
		6'	8'	12'				6'	8'	12'	
1	9043080	4	6	8	Screw	7	5232807	1	-	-	Inside Rear Door
2	9024770	1	-	-	LWR RR Shell Cover		5232808	-	2	3	Inside Rear Door
	9024771	-	1	-	LWR RR Shell Cover	8	5232811	1	-	-	Outside Rear Door
	9024772	-	-	1	LWR RR Shell Cover		5232812	-	2	3	Outside Rear Door
3	5237681	18	32	48	Screw	9	9410606	1	1	1	End Mullion Cover w/o Opening
4	9043080	2	2	2	Screw		9043080	4	4	4	Screw
5	9410607	1	1	1	RH End Mullion Cover w/Opening	10	5233082	1	-	-	Door Frame
6	9043080	4	4	4	Screw		5232987	-	2	3	Door Frame
	9410608	-	-1	1	Center Mullion Cover w/Opening		5233658	-	4	6	Shim
	9043080	4	4	4	Screw						



STRUCTURAL COMPONENTS - (CONT'D)
 REAR DOORS & MULLION COVERS- NFL

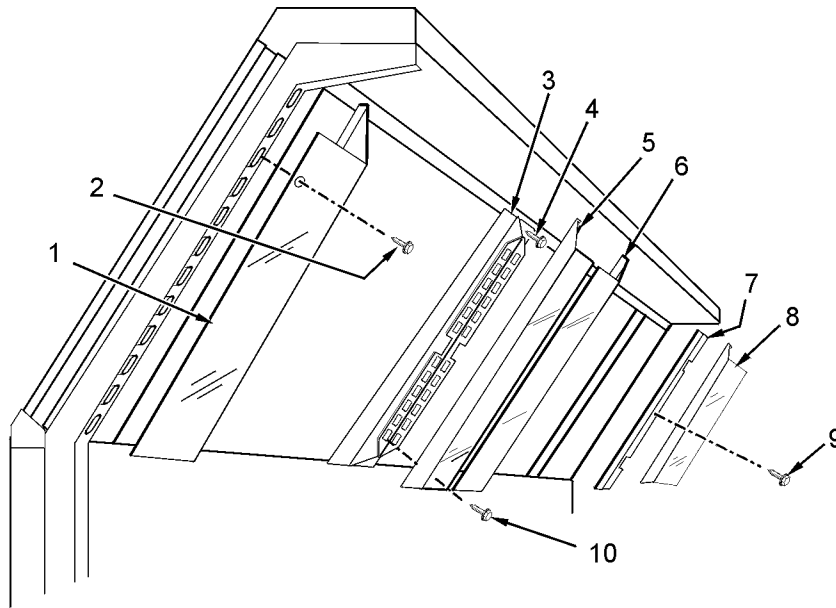


6', 8' and 12' Merchandiser

Item	Part No.	Quantity.			Description	Item	Part No.	Quantity.			Description
		6'	8'	12'				6'	8'	12'	
1	9043080	4	6	8	Screw	9	9410606	1	1	1	End Mullion Cover w/o Opening
2	9024770	1	-	-	LWR RR Shell Cover						
	9024771	-	1	-	LWR RR Shell Cover						
	9024772	-	-	1	LWR RR Shell Cover						
3	5237681	18	32	48	Screw	10	5233082	1	-	-	Door Frame
4	9043080	2	2	2	Screw		5232987	-	2	3	Door Frame
5	9410607	1	1	1	RH End Mullion Cover w/Opening		5233658	-	4	6	Shim
6	9043080	4	4	4	Screw	11	5228677	1	-	-	Heater Wire-16 ohm/ft
	9410608	-	-1	1	Center Mullion Cover w/Opening		5228678	-	2	3	Heater Wire-41 ohm/ft
	9043080	4	4	4	Screw		5057259	A/R	A/R	A/R	Aluminum Tape
7	5232807	1	-	-	Inside Rear Door	12	5232036	1	-	-	Heat Deflector
	5232808	-	2	3	Inside Rear Door		5232038	-	2	-	Heat Deflector
8	5232811	1	-	-	Outside Rear Door		5232039	-	-	2	Heat Deflector
	5232812	-	2	3	Outside Rear Door		5104702	3	6	6	Rivet



STRUCTURAL COMPONENTS - (CONT'D)
 INSIDE REAR MULLION COVERS - NFM/NFF

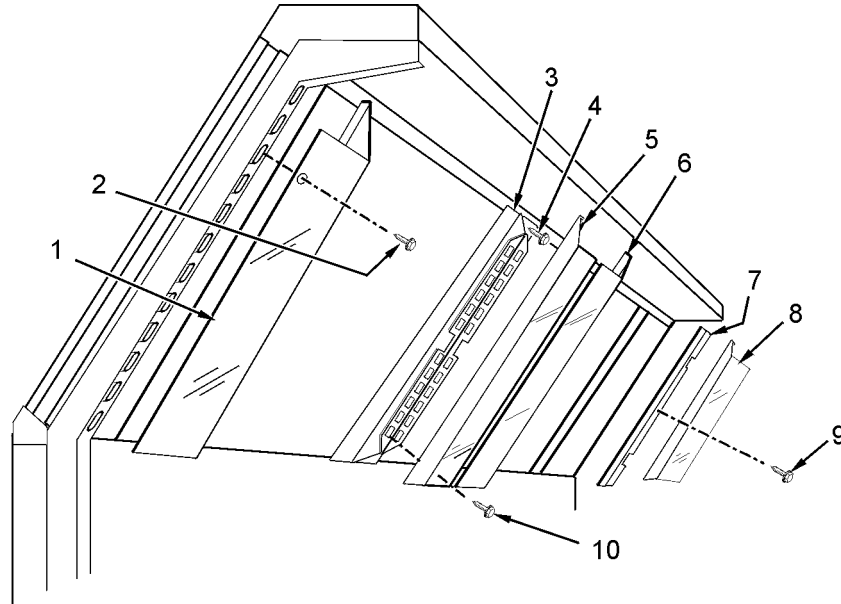


6', 8' and 12' Merchandiser

Item	Part No.	Quantity.			Description	Item	Part No.	Quantity.			Description
		6'	8'	12'				6'	8'	12'	
1	5240049	1	1	1	LH Mullion Cover	7	5233390	2	2	2	Mullion Cover Retainer
2	9024814	3	3	3	Screw	8	9025931	1	-	-	RH End Mullion Cover
3	5240047	-	1	2	Center Upright Weld Assy.		9025930	-	1	1	RH End Mullion Cover
4	1309067	-	4	8	Screw		9024814	3	3	3	Screw
5	9025929	-	1	1	Center LH Mullion Cover	9	9023806	6	6	6	Screw
	9025928	-	-	1	Center LH Mullion Cover	10	9024814	-	6	12	Screw
6	5240054	-	1	-	Center RH Mullion Cover						
	5240050	-	-	1	Center RH Mullion Cover						
	5240058	-	-	1	Center RH Mullion Cover						



STRUCTURAL COMPONENTS - (CONT'D)
MULLION COVERS - NFD/NFL

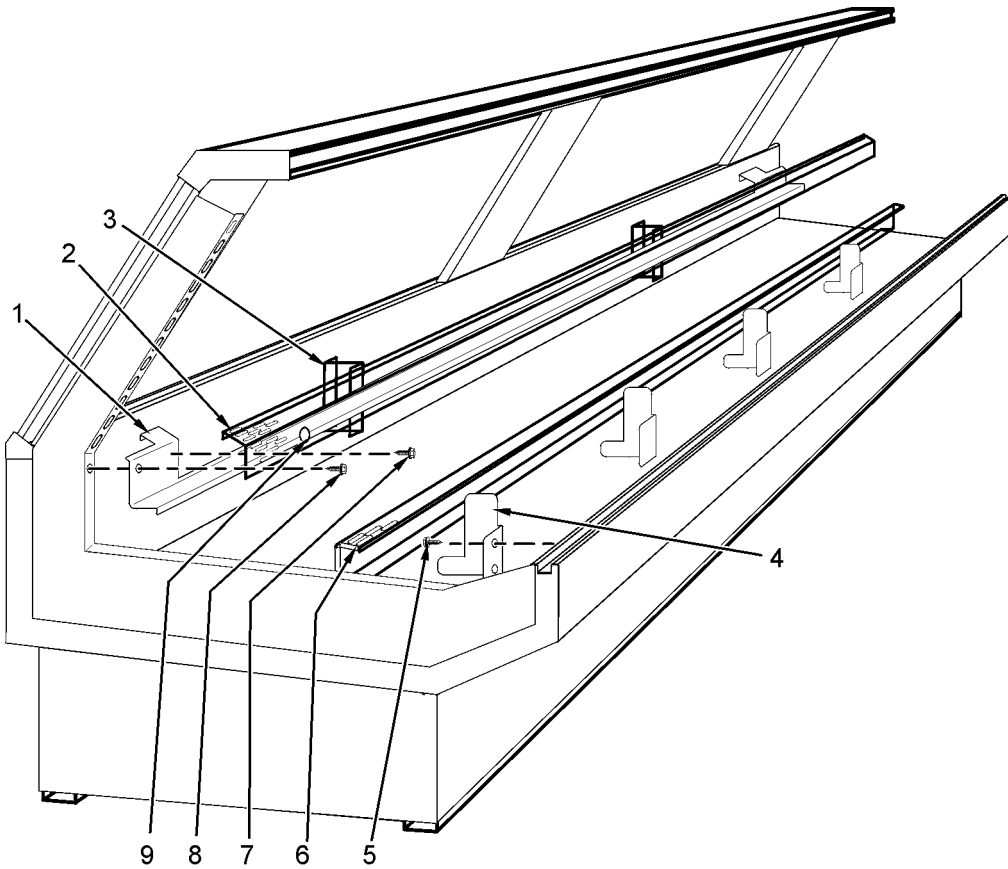


6', 8' and 12' Merchandiser

Item	Part No.	Quantity.			Description	Item	Part No.	Quantity.			Description
		6'	8'	12'				6'	8'	12'	
1	5240049	1	1	1	LH Mullion Cover	7	5233390	2	2	2	Mullion Cover Retainer
2	9024814	3	3	3	Screw	8	9025933	1	-	-	RH End Mullion Cover
3	5240047	-	1	2	Center Upright Weld Assy.		9025930	-	1	1	RH End Mullion Cover
4	1309067	-	4	8	Screw		9024814	3	3	3	Screw
5	9025934	-	1	1	Center LH Mullion Cover	9	9023806	6	6	6	Screw
	9025932	-	-	1	Center LH Mullion Cover	10	9024814	-	6	12	Screw
6	5240054	-	1	-	Center RH Mullion Cover						
	5240052	-	-	1	Center RH Mullion Cover						
	5240058	-	-	1	Center RH Mullion Cover						



STRUCTURAL COMPONENTS - (CONT'D)
 DUCTS AND Z-BARS - NFM/NFF

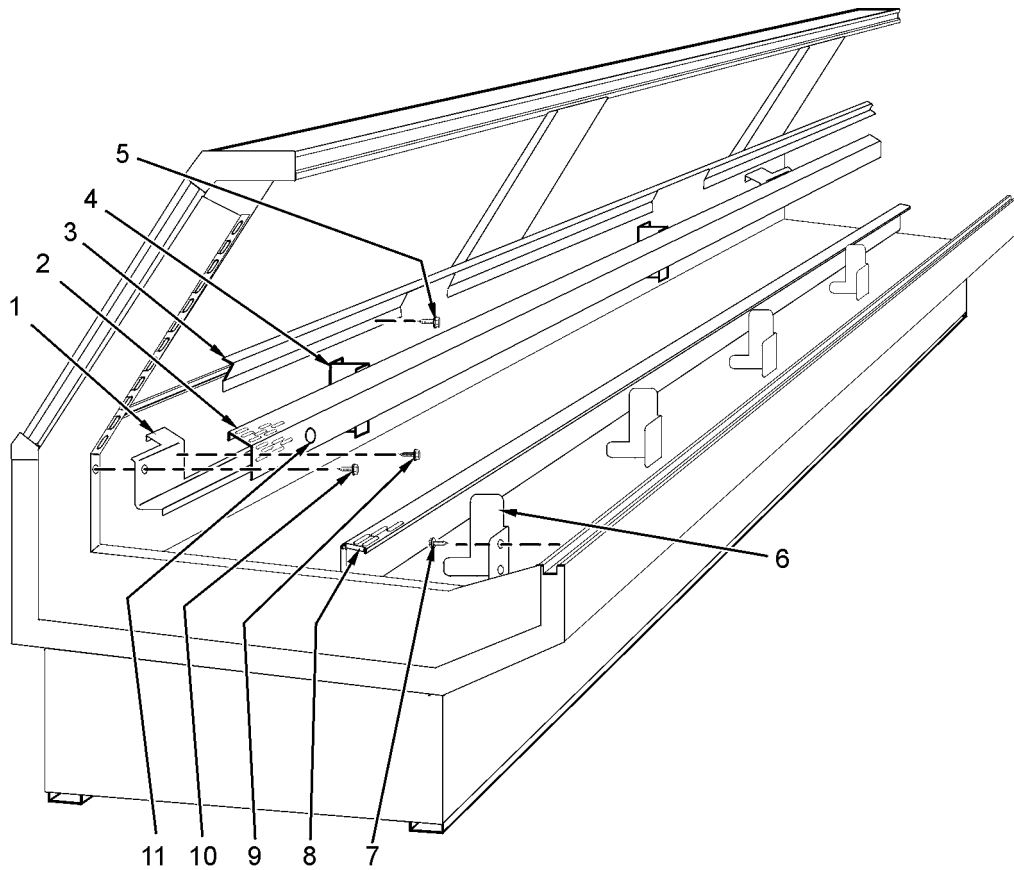


6', 8' and 12' Merchandiser

Item	Part No.	Quantity			Description	Item	Part No.	Quantity			Description
		6'	8'	12'				6'	8'	12'	
1	5240138	1	-	-	Rear Duct, Stationary	5	5104957	6	8	12	Rivet (NFF)
	5240139	-	1	-	Rear Duct, Stationary		5221308	2	-	-	Plexiglas Guard (NFF)
	5240140	-	-	1	Rear Duct, Stationary		5201011	-	2	3	Plexiglas Guard (NFF)
2	5233055	1	-	-	Rear Duct, Removable	6	9024803	4	6	9	Front Z-Bar
	5232997	-	1	1	RH RR Duct, Removable	7	9024814	8	12	18	Screw
	5232998	-	1	1	LH RR Duct, Removable	8	5233883	1	-	-	Front Duct
	5232941	-	-	1	CTR RR Duct, Removable		5232907	-	2	3	Front Duct
3	5232909	2	2	3	Rear Z-Bar	9	9024814	6	10	15	Screw
	9024814	4	4	6	Screw	10	9024814	4	6	8	Screw
4	5234072	1	-	-	Plexiglas Support (NFF)	11	5231062	1	1	2	Plug Button
	5234056	-	2	3	Plexiglas Support (NFF)						



STRUCTURAL COMPONENTS - (CONT'D)
 DUCTS AND Z-BARS - NFD

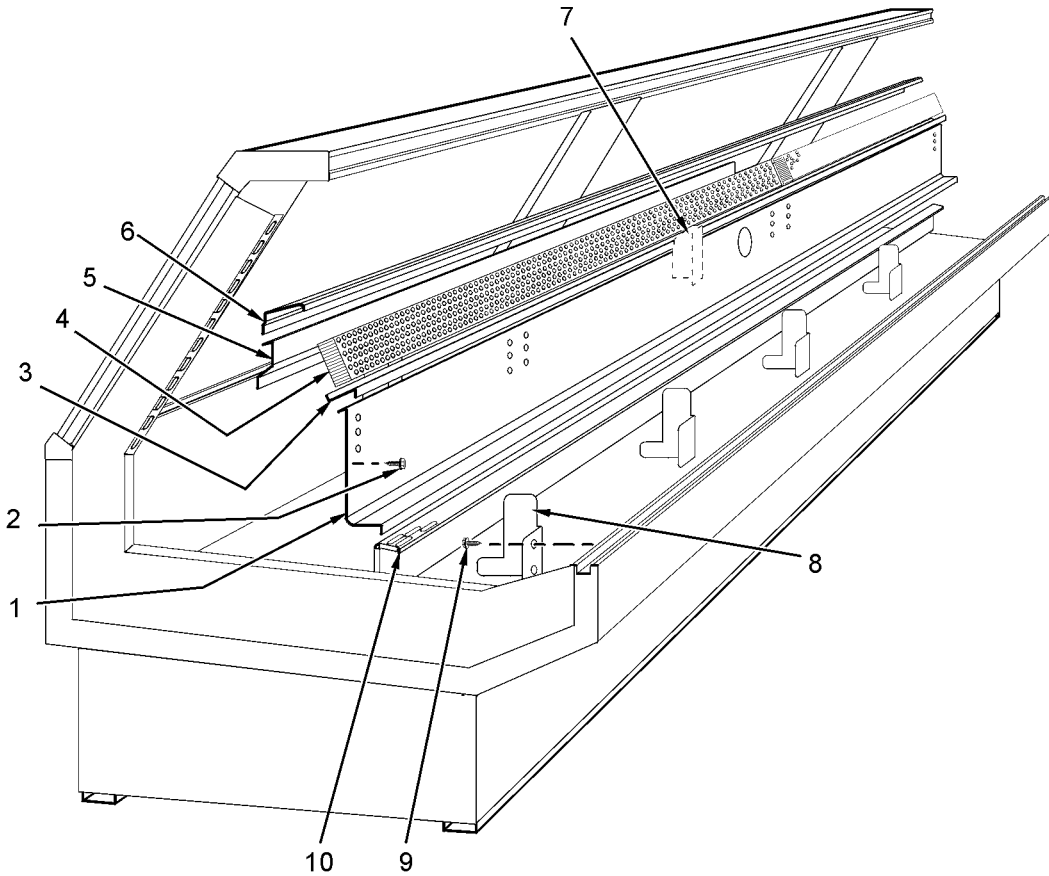


6', 8' and 12' Merchandiser

Item	Part No.	Quantity			Description	Item	Part No.	Quantity			Description		
		6'	8'	12'				6'	8'	12'			
1	5240138	1	-	-	Rear Duct, Stationary	4	5232909	2	2	3	Rear Z-Bar		
	5240139	-	1	-	Rear Duct, Stationary		9024814	4	4	6	Screw		
	5240140	-	-	1	Rear Duct, Stationary		5	5205439	6	8	12	Screw	
2	5233055	1	-	-	Rear Duct, Removable	6	9024803	4	6	9	Front Z-Bar		
	5232997	-	1	1	RH RR Duct, Removable		7	9024814	8	12	18	Screw	
	5232998	-	1	1	LH RR Duct, Removable			8	5233883	1	-	-	Front Duct
	5232941	-	-	1	CTR RR Duct, Removable				5232907	-	2	3	Front Duct
3	5236969	1	-	-	Air Deflector	9		9024814	6	10	15	Screw	
	5236970	-	2	3	Air Deflector		10	9024814	4	6	8	Screw	
						11	5231062	1	1	2	Plug Button		



STRUCTURAL COMPONENTS - (CONT'D)
 DUCTS AND Z-BARS - NFL

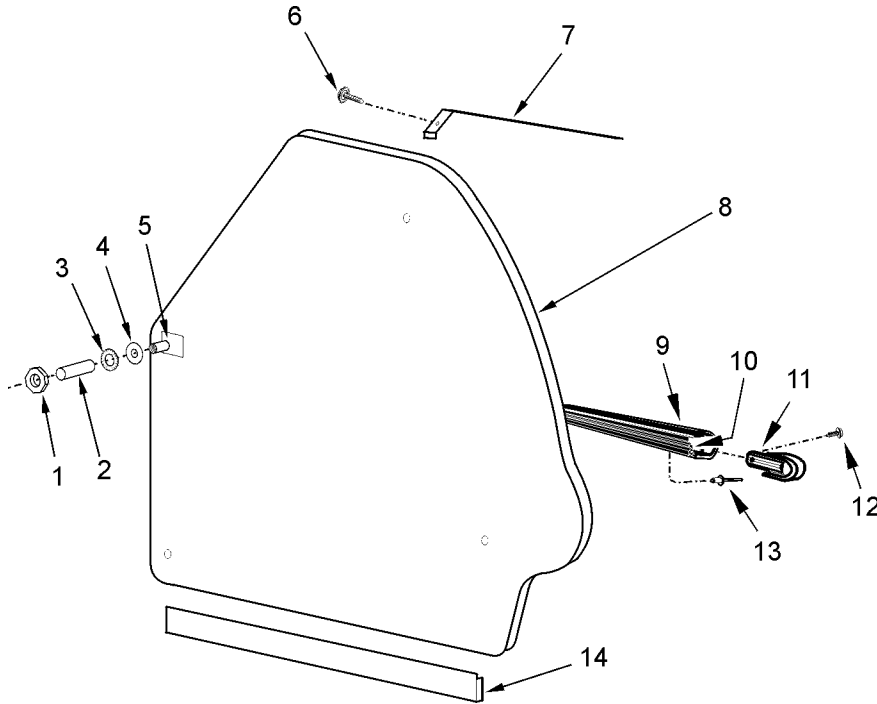


6', 8' and 12' Merchandiser

Item	Part No.	Quantity			Description	Item	Part No.	Quantity			Description
		6'	8'	12'				6'	8'	12'	
1	5245050	1	-	-	Rear Duct, Stationary	5	5234010	1	-	-	Air Deflector
	5245051	-	1	-	Rear Duct, Stationary		5234011	-	2	3	Air Deflector
	5245052	-	-	1	Rear Duct, Stationary		5183536	6	8	12	Screw
	5231062	1	1	1	Plug Button	6	5234012	1	-	-	Top Grid Retainer
2	9024814	8	10	14	Screw		5234013	-	2	3	Top Grid Retainer
*	5234027	1	-	-	Grid & Retainer Assy.	7	5234009	2	2	3	Rear Z-Bar
	5962150	-	2	3	Grid & Retainer Assy.		9024814	4	4	6	Screw
3	5234014	1	-	-	Bottom Grid Retainer	8	5236956	4	6	9	Front Z-Bar
	5962153	-	2	3	Bottom Grid Retainer	9	9024814	8	12	18	Screw
4	5962155	2	2	3	Grid	10	5233883	1	-	-	Front Duct
							5232907	-	2	3	Front Duct



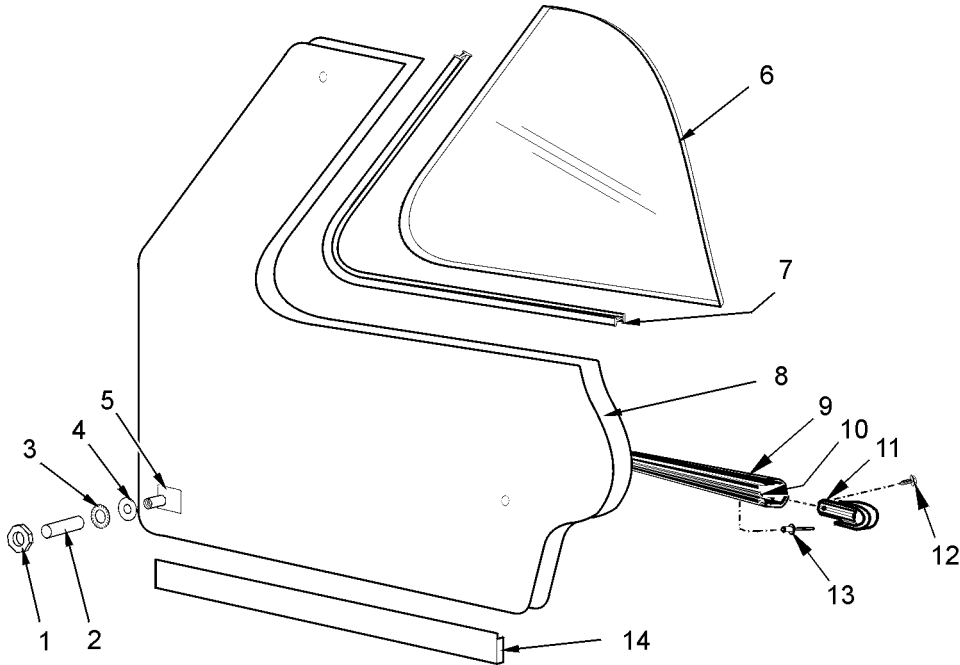
STRUCTURAL COMPONENTS - (CONT'D)
PATCH ENDS, PARTITIONS AND DIVIDERS
Solid Patch Ends - NFM/NFF/NFD/NFL



Item	Part No.	Qty.	Description	Item	Part No.	Qty.	Description
*	9022391	1	RH Solid End Assy. PTD Panel/PTD Liner - 51.75"		9022404	1	LH Bench Assy. PTD Panel/PTD Liner - 54.75"
*	9022392	1	LH Solid End Assy. PTD Panel/PTD Liner - 51.75"		9022315	1	RH Bench Assy. PTD Panel/PTD Liner - 48"
*	9022403	1	RH Solid End Assy. PTD Panel/PTD Liner - 54.75"		9022316	1	LH Bench Assy. PTD Panel/PTD Liner - 48"
*	9022404	1	LH Solid End Assy. PTD Panel/PTD Liner - 54.75"	9	9029311	1	33" End Bumper, Pearly Gates
*	9022315	1	RH Solid End Assy. PTD Panel/PTD Liner - 48"		9027973	1	33" End Bumper, Cool Gray
*	9022316	1	LH Solid End Assy. PTD Panel/PTD Liner - 48"		9027974	1	33" End Bumper, Black
1	5100625	3	Nut, 5/16"-18		9027975	1	33" End Bumper, Pearl
2	9022759	3	Stud, 5/16"-18 x 3"		9040180	1	33" End Bumper, Steel Gray
3	5101003	3	Lockwasher		9023459	1	39" End Bumper, Pearly Gates
4	5100976	3	Washer		9023460	1	39" End Bumper, Cool Gray
5	9022760	3	Tapping Plate		9023461	1	39" End Bumper, Black
	9022756	3	Threaded Insert		9023462	1	39" End Bumper, Pearl
6	5120943	2	Screw		9310876	1	39" End Bumper, Steel Gray
7	5234827	1	Top End Trim	10	9027882	1	35" End Bumper Retainer
*	9022391	1	RH Bench Assy. PTD Panel/PTD Liner - 51.75"		9023453	1	41" End Bumper Retainer
8	9022392	1	LH Bench Assy. PTD Panel/PTD Liner - 51.75"	11	9026528	4	End Bmpr. Cap, Pearly Gates
	9022403	1	RH Bench Assy. PTD Panel/PTD Liner - 54.75"		9027743	4	End Bmpr. Cap, Cool Gray
					9027744	4	End Bmpr. Cap, Black
					9027742	4	End Bmpr. Cap, Pearl
					9310881	4	End Bmpr. Cap, Steel Gray
				12	5183536	4	Screw
				13	5104702	17	Rivet
				14	9022460	1	RH End Base Close-off, Ptd.
					9022467	1	LH End Base Close-off, Ptd.
					1309067	3	Screw



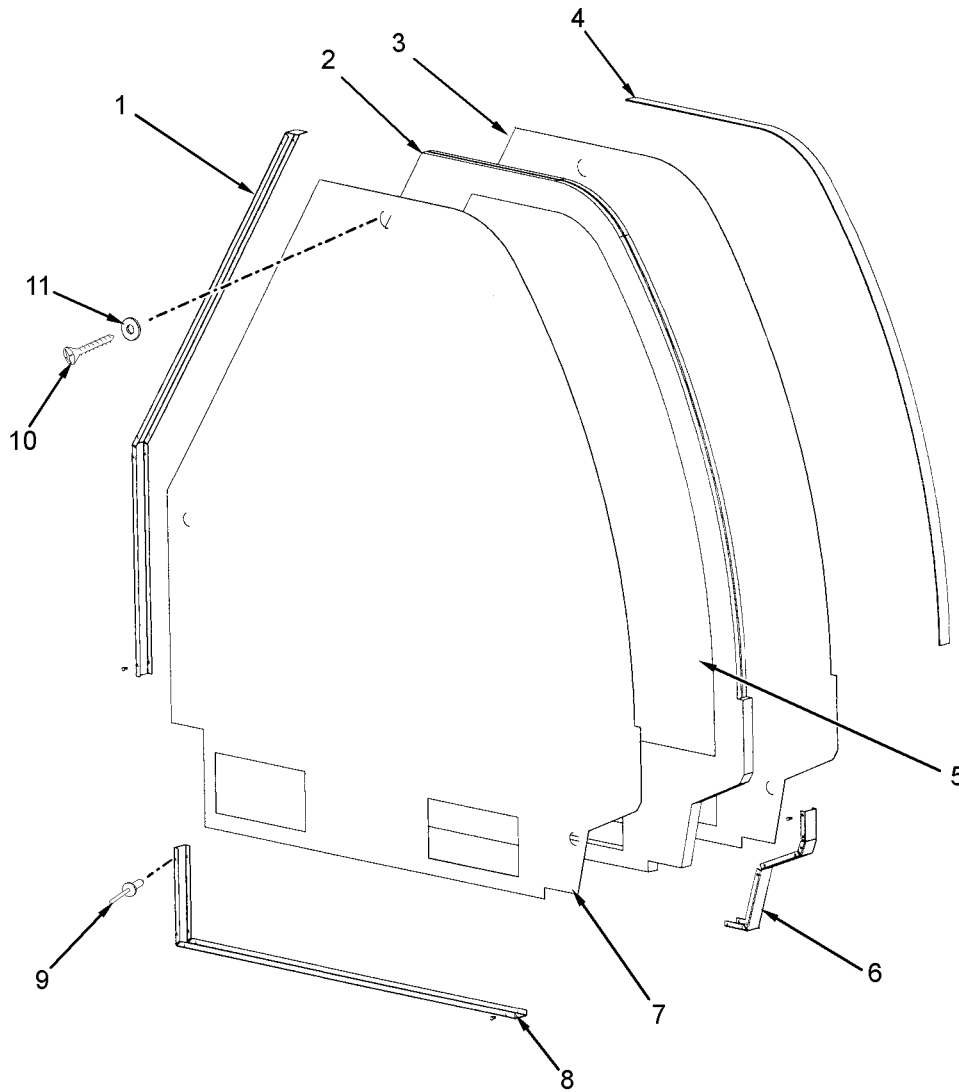
STRUCTURAL COMPONENTS - (CONT'D)
PATCH ENDS, PARTITIONS AND DIVIDERS
Solid Patch Ends with Glass - NFM/NFF/NFD/NFL



Item	Part No.	Qty.	Description	Item	Part No.	Qty.	Description
*	9036227	1	RH Solid End Assy. PTD Panel/BRT SS Liner w/Glass 51" & 54.75"	9024148	1	RH Bench Assy. PTD Panel/BRT SS Liner w/Glass 48"	
*	9022386	1	LH Solid End Assy. PTD Panel/BRT SS Liner w/Glass 51" & 54.75"	9024149	1	LH Bench Assy. PTD Panel/BRT SS Liner w/Glass 48"	
*	9036227	1	RH Solid End Assy. PTD Panel/BRT SS Liner w/Glass 48"	9	9029311	1	33" End Bumper, Pearly Gates
*	9022386	1	LH Solid End Assy. PTD Panel/BRT SS Liner w/Glass 48"		9027973	1	33" End Bumper, Cool Gray
1	5100625	3	Nut, 5/16"-18		9027974	1	33" End Bumper, Black
2	9022759	3	Stud, 5/16"-18 x 3"		9027975	1	33" End Bumper, Pearl
3	5101003	3	Lockwasher		9040180	1	33" End Bumper, Steel Gray
4	5100976	3	Washer		9023459	1	39" End Bumper, Pearly Gates
5	9022760	3	Tapping Plate		9023460	1	39" End Bumper, Cool Gray
	9022756	3	Threaded Insert		9023461	1	39" End Bumper, Black
6	5965482	1	Glass		9023462	1	39" End Bumper, Pearl
7	5965472	1	Glass Retainer		9310876	1	39" End Bumper, Steel Gray
*	9024146	1	RH Bench Assy. PTD Panel/BRT SS Liner w/Glass 51" & 54.75"	10	9027882	1	35" End Bumper Retainer
8	9024147	1	LH Bench Assy. PTD Panel/BRT SS Liner w/Glass 51" & 54.75"		9023453	1	41" End Bumper Retainer
				11	9026528	4	End Bmpr. Cap, Pearly Gates
					9027743	4	End Bmpr. Cap, Cool Gray
					9027744	4	End Bmpr. Cap, Black
					9027742	4	End Bmpr. Cap, Pearl
					9310881	4	End Bmpr. Cap, Steel Gray
				12	5183536	4	Screw
				13	5104702	17	Rivet
				14	9022460	1	RH Base End Close-off, Ptd.
					9022467	1	LH Base End Close-off, Ptd.
					1309067	3	Screw



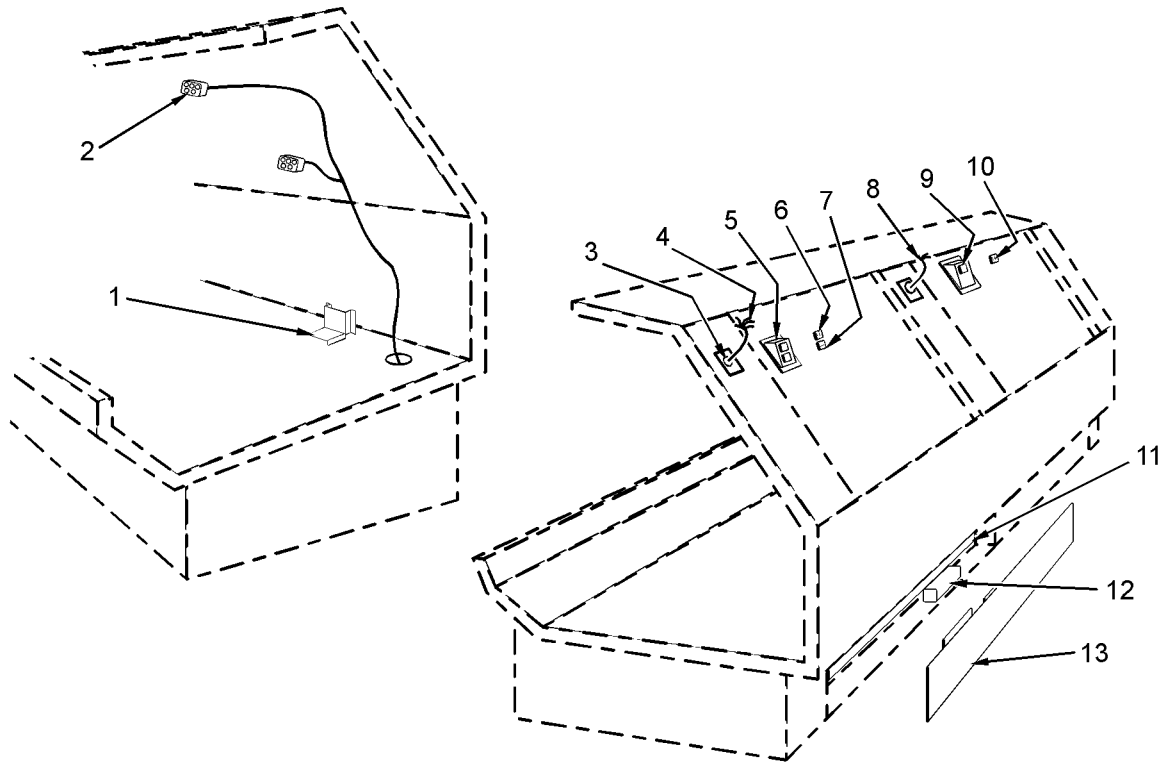
STRUCTURAL COMPONENTS - (CONT'D)
PATCH ENDS, PARTITIONS AND DIVIDERS
1" Solid Partitions - NFM/NFF/NFD/NFL



Item	Part No.	Qty.	Description
*	9600825	1	1" Solid Partition Assy.
1	9030541	1	Trim Rail
2	9600836	1	Partition Core
3	9035142	1	Panel
4	9027656	5'	Edge Trim, Black
5	9030444	1	Insulation Core
6	9030587	1	Lower Front Trim
7	9600824	1	Liner
8	9035137	1	Bottom Rail
9	5104702	4	Rivet
10	5148997	2	Screw
11	5100973	3	Washer



ELECTRICAL SYSTEM COMPONENTS
WIRING HARNESSSES - NFM/NFF/NFD/NFL
Wiring and Components

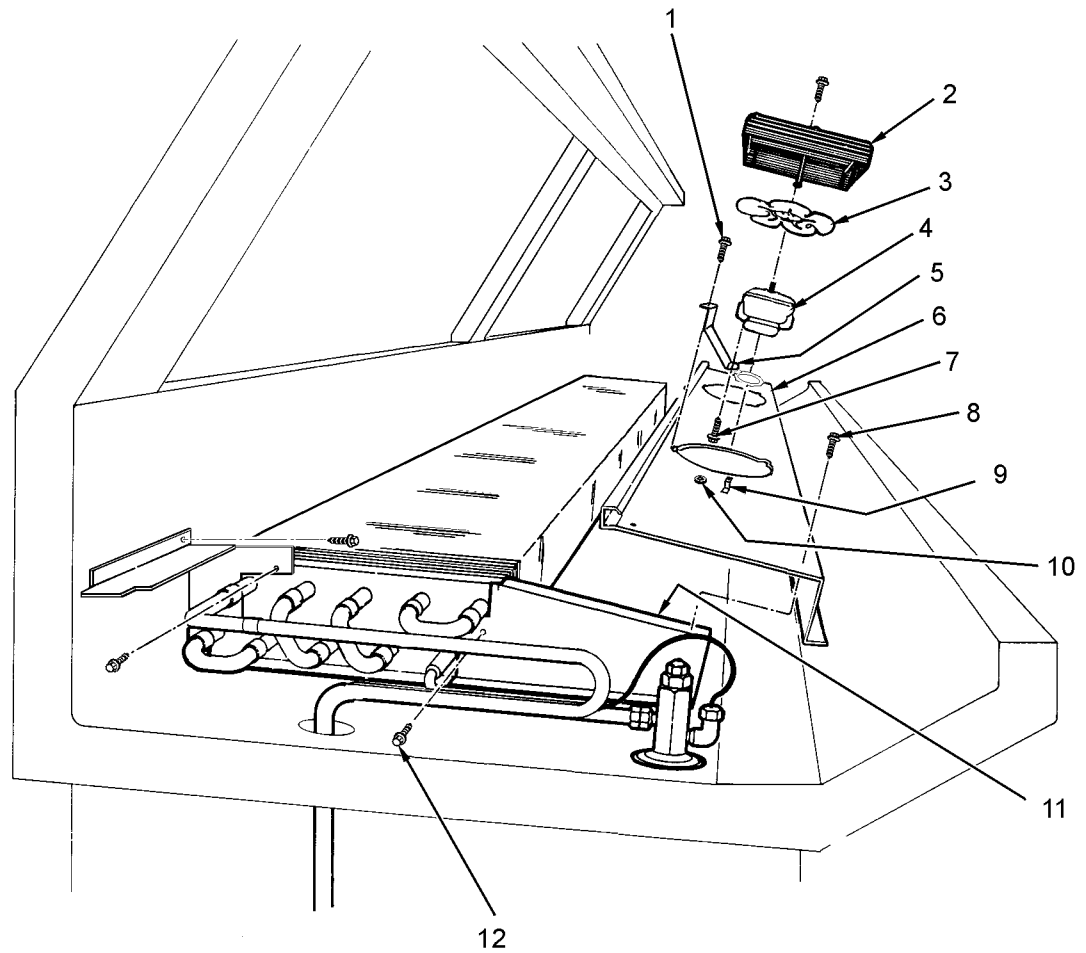


6', 8' and 12' Merchandiser

Item	Part No.	Quantity.			Description	Item	Part No.	Quantity.			Description
		6'	8'	12'				6'	8'	12'	
1	9024862	1	1	1	Lower Wiring Cover-NFM[F]	*	9043548	1	-	-	Electrical Rail MTG Assy.
	9024863	1	1	1	Lower Wiring Cover-NFD	*	9043549	-	1	1	Electrical Rail MTG Assy.
	5183536	2	2	2	Screw	11	9043546	1	-	-	Electrical Rail MTG
2	9025922	1	1	-	Horiz. Wiring Harness		9043547	-	1	1	Electrical Rail MTG
	9025923	-	-	1	Horiz. Wiring Harness		9036907	1	1	1	Power Lead MTG Bracket
	9025792	1	1	-	Top Light Harness		5183536	4	4	4	Screw
	9025793	-	-	1	Top Light Harness		5221557	1	1	1	Ballast Wiring-Blue
	5183536	2	2	2	Screw		5221558	1	1	1	Ballast Wiring-Red
3	5123674	1	4	4	Strain Relief	12	5991029	1	1	-	Ballast, 2-Lamp
4	5961380	1	1	1	Switch Harness		5991030	-	-	1	Ballast, 3-Lamp
5	5029007	1	1	1	Switch & Recept. Cover		5195131	3	3	3	Field Ground Lug
	5199134	2	2	2	Screw		5210988	1	1	1	Factory Ground Lug
6	5236335	1	1	1	Outlet		5933527	1	1	1	Terminal Block Assy.
7	5961377	1	1	1	Rocker Switch	13	9024929	1	-	2	Rear Rail Cover-6'
8	5961381	-	.1	1	Receptacle Harness		9024928	-	2	-	Rear Rail Cover-4'
9	5029006	-	1	1	Receptacle Cover		9043080	16	24	32	Screw
	5199134	-	2	2	Screw						
10	5236335	-	1	1	Outlet						



ELECTRICAL SYSTEM COMPONENTS - (CONT'D)
 FAN SYSTEMS - NFD/NFL

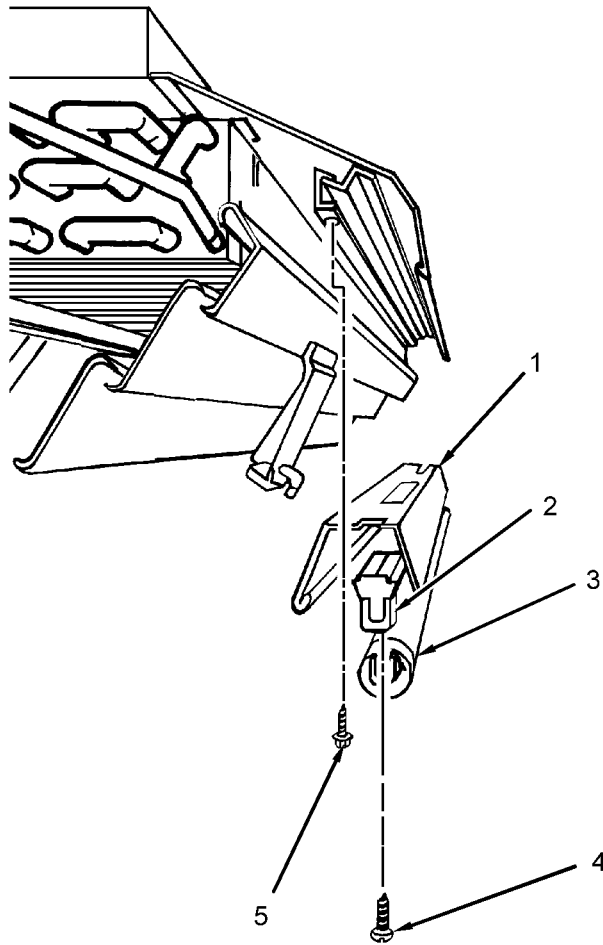


6', 8' and 12' Merchandiser

Item	Part No.	Quantity.			Description	Item	Part No.	Quantity.			Description
		6'	8'	12'				6'	8'	12'	
1	5224128	6	6	9	Screw	7	5224128	6	6	9	Screw
2	5063030	2	2	3	Fan Guard	8	5183536	10	10	15	Screw
*	5236973	2	2	3	Fan Motor Assy.-5 W		5183536	11	15	15	Screw
	9030660	2	2	3	Opt. ECM Fan MTR Assy.-8 W	9	5206177	2	2	3	Fan Clip
3	5236974	2	2	3	Fan Blade	10	5123674	3	3	3	Strain Relief
	5223370	2	2	3	Opt. ECM Fan Blade	11	9037117	1	1	1	LH Fan Panel Close-off
4	5125532	2	2	3	Fan Motor-5 W		9037116	1	1	1	RH Fan Panel Close-off
	9025002	2	2	3	Opt. ECM Fan Motor 8 W	12	5183536	8	8	8	Screw
5	5962269	6	6	9	Fan Motor Bracket						
	9025005	6	6	9	Opt. ECM Fan Motor Bracket						
6	9037137	1	-	-	Fan Panel						
	9037114	-	1	-	Fan Panel						
	9037115	-	-	1	Fan Panel						



ELECTRICAL SYSTEM COMPONENTS - (CONT'D)
 TOP LIGHT - NFM/NFF

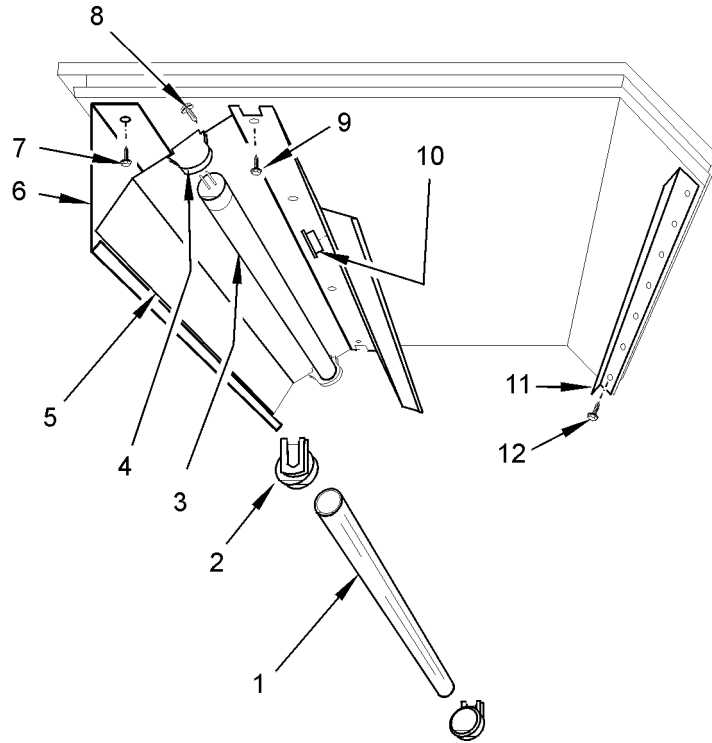


6', 8' and 12' Merchandiser

Item	Part No.	Quantity.			Description	Item	Part No.	Quantity.			Description
		6'	8'	12'				6'	8'	12'	
*	9025821	1	-	-	Light Channel Assy.		5981332	-	1	-	Light Channel
*	9025822	-	1	-	Light Channel Assy.		5981333	-	-	1	Light Channel
*	9025823	-	-	1	Light Channel Assy.	3	5232279	4	4	6	Lampholder
1	5244319	1	-	-	Light Shield Assy.	4	5987031	2	-	-	Shield & Cap Assy.
	5244320	-	1	-	Light Shield Assy.		5981621	-	2	3	Shield & Cap Assy.
	5244321	-	-	1	Light Shield Assy.		-----	2	2	3	Lamp
2	5232283	1	-	-	Light Channel	5	5214107	4	4	6	Screw
						6	5100212	5	6	9	Screw



ELECTRICAL SYSTEM COMPONENTS - (CONT'D)
TOP LIGHTS - NFD/NFL

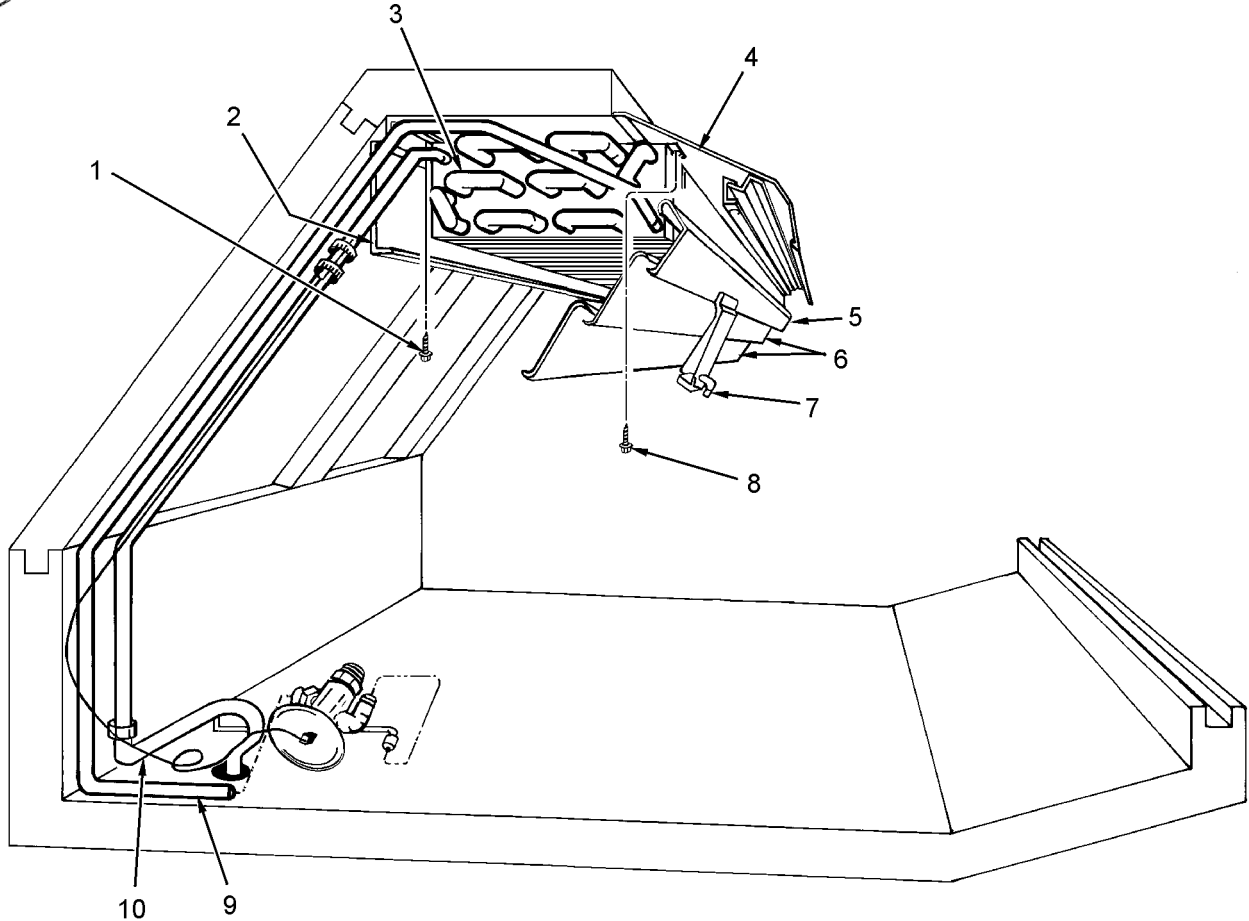


6', 8' and 12' Merchandiser

Item	Part No.	Quantity.			Description	Item	Part No.	Quantity.			Description
		6'	8'	12'				6'	8'	12'	
*	5987031	2	-	-	Lampshield & Caps Assy.	8	5208265	1	1	1	Screw
*	5981621	-	2	3	Lampshield & Caps Assy.		5103997	2	2	2	Washer-SHKPRF
1	5987030	2	-	-	Lampshield - 36"		5100661	1	1	1	Nut
	5981622	-	2	3	Lampshield - 46"	9	5183536	3	3	4	Screw
2	5981627	4	4	6	Caps	10	5124331	1	1	1	Bushing
3	Ref	2	2	3	Lamp - F32 T-8/TI	11	5236203	-	2	2	Raceway Support
4	5232279	4	4	6	Lampholder	12	5183536	-	3	5	Screw
5	5966395	1	-	-	Light Channel						
	5993207	-	1	-	Light Channel						
	5966396	-	-	1	Light Channel						
6	5966393	1	-	-	Light Shield						
	5993206	-	1	-	Light Shield						
	5966394	-	-	1	Light Shield						
7	5183536	4	4	6	Screw						



REFRIGERATION SYSTEM COMPONENTS TOP COIL ASSEMBLIES - NFM/NFF

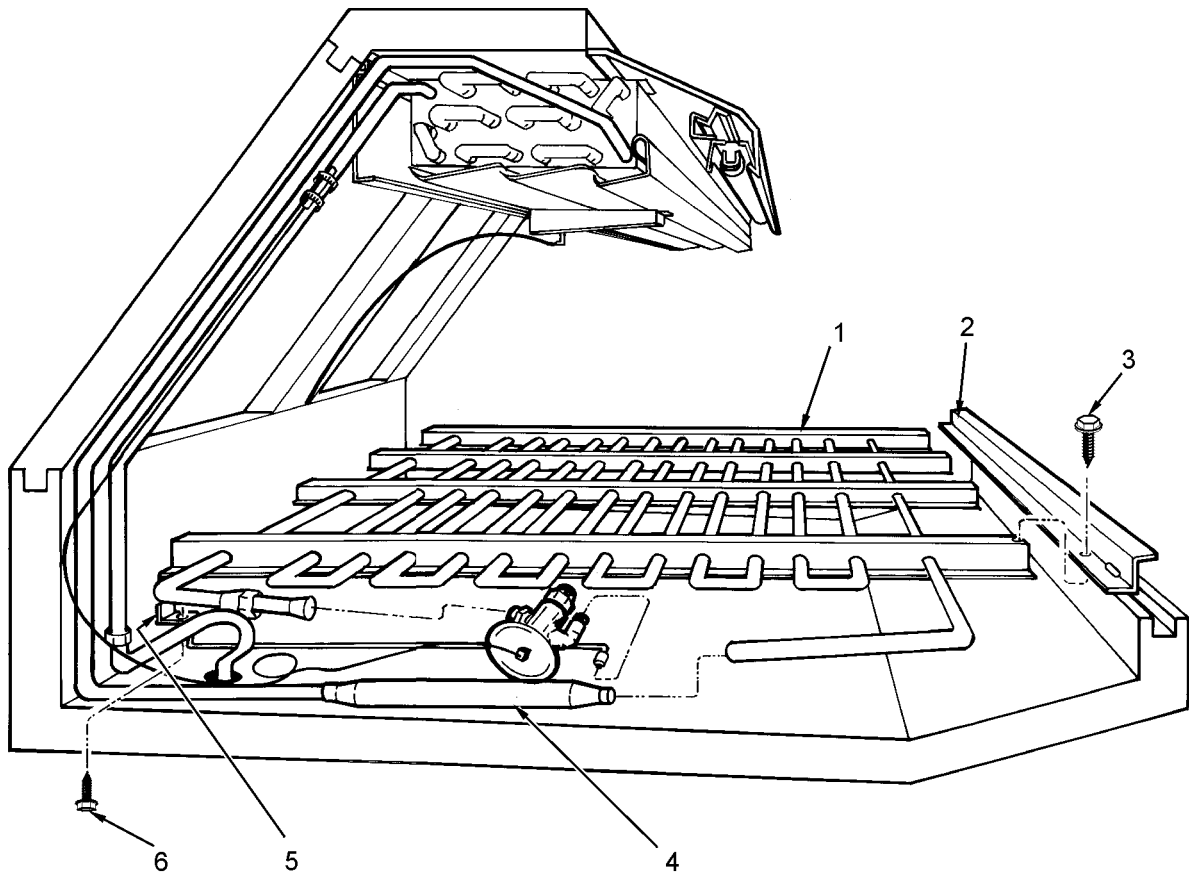


6', 8' and 12' Merchandiser

Item	Part No.	Quantity			Description	Item	Part No.	Quantity			Description	
		6'	8'	12'				6'	8'	12'		
1	5141348	3	4	4	Screw	7	9024884	3	4	4	Baffle Support	
	5135025	3	4	4	Clip		9024882	9	12	12	Clip	
2	5234809	1	-	-	Rear Baffle Support	9	9024815	1	1	1	Drain Pod Assy.	
	5234810	-	1	-	Rear Baffle Support		9024814	2	2	2	Screw	
	5234811	-	-	1	Rear Baffle Support		5961855	1	1	1	Drain Pod	
	5235030	3	4	4	Support Hanger (NFM)		9029747	1	1	1	Clip	
	5961102	3	4	4	Support Hanger (NFF)		9043078	1	1	1	RD Cap [Blue]	
	5244427	2	2	2	Coil Centering Clip		8	9023806	3	4	4	Screw
3	9023806	2	2	2	Screw	5236590	1	1	1	Drain Hose		
	5244428	1	-	-	Top Coil Assy.	9	5246069	1	1	1	Liquid Line Assy. (NFM)	
	5244429	-	1	-	Top Coil Assy.		5244588	1	1	1	Liquid Line Assy. (NFF)	
	5244430	-	-	1	Top Coil Assy.		5220559	1	1	1	Liquid Connection Assy. (NFF)(not shown)	
4	5244414	3	4	4	Top Coil Support Channel	10	5244591	1	1	1	Suction Line Assy. (NFM)	
*	9024816	1	-	-	Baffle Bench Assy.		5244589	1	1	1	Suction Line Assy. (NFF)	
*	9024817	-	1	-	Baffle Bench Assy.			5244589	1	1	1	Suction Line Assy. (NFF)
*	9024818	-	-	1	Baffle Bench Assy.							
5	9024810	1	1	-	Front Baffle							
	9024812	-	-	1	Front Baffle							
6	9024811	1	1	-	Center & Rear Baffle							
	9024813	-	-	1	Center & Rear Baffle							



REFRIGERATION SYSTEM COMPONENTS - (CON-
BOTTOM COIL ASSEMBLIES - NFM

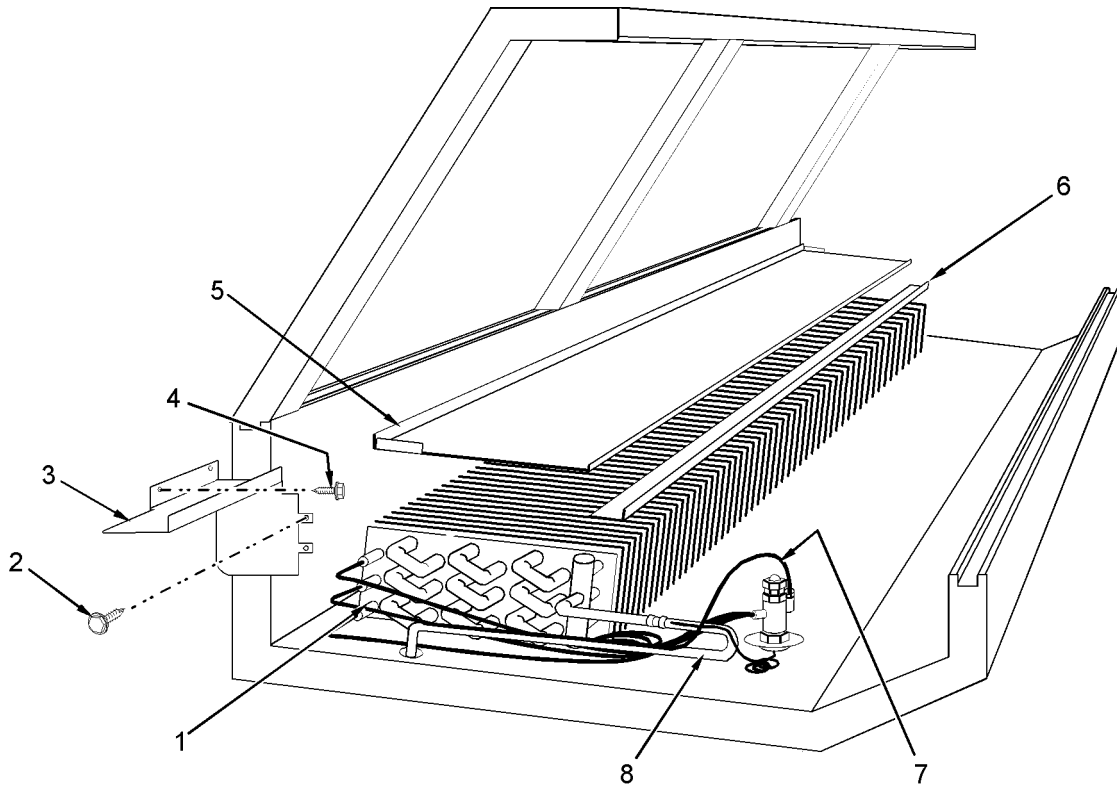


6', 8' and 12' Merchandiser

Item	Part No.	Quantity			Description	Item	Part No.	Quantity			Description
		6'	8'	12'				6'	8'	12'	
*	9024804	1	-	-	Bottom Coil Assy.		5233982	-	-	1	Front Coil Support
*	9024805	-	1	-	Bottom Coil Assy.	3	5183536	3	4	6	Screw
*	9024806	-	-	1	Bottom Coil Assy.	4	5234939	1	1	1	Heat Exchanger Assy.
1	5219774	1	-	-	Flat Bottom Coil		5234938	1	1	1	Inlet Tube Assy.
	5961139	-	1	-	Flat Bottom Coil		5235049	1	1	1	Heat Exchanger Tube
	5961140	-	-	1	Flat Bottom Coil		5235050	1	1	1	Equalizer Assy.
2	5233980	1	-	-	Front Coil Support	5	9024807	3	4	6	Rear Coil Support
	5233981	-	1	-	Front Coil Support	6	5183536	3	4	6	Screw



REFRIGERATION SYSTEM COMPONENTS - (CON-COIL ASSEMBLIES - NFD

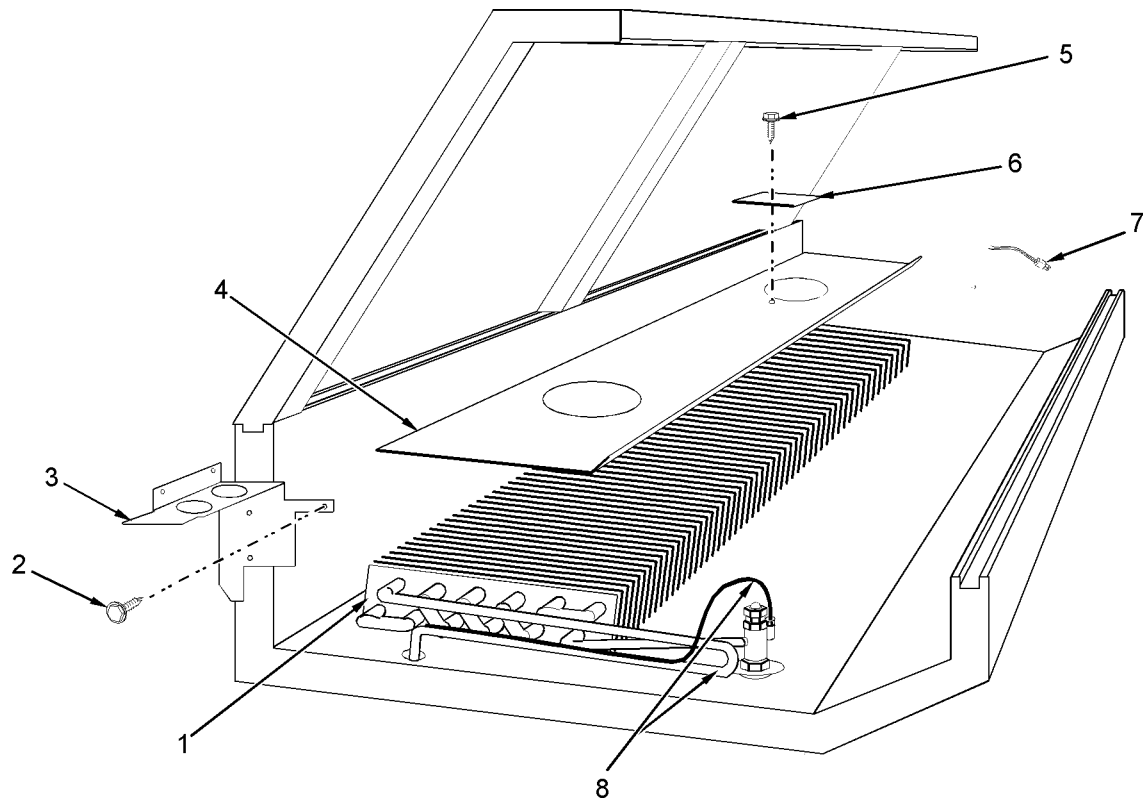


6', 8' and 12' Merchandiser

Item	Part No.	Quantity			Description	Item	Part No.	Quantity			Description
		6'	8'	12'				6'	8'	12'	
1	5234431	1	-	-	Coil & Fitting Assy.	6	5236314	-	1	-	Coil Cover
	5234432	-	1	-	Coil & Fitting Assy.		5236315	-	-	1	Coil Cover
	5234433	-	-	1	Coil & Fitting Assy.		5236316	1	-	-	Coil Cover Front Filler
2	5183536	4	4	4	Screw	5236317	-	1	-	Coil Cover Front Filler	
3	5240512	1	1	1	LH Coil End Close-off	5236318	-	-	1	Coil Cover Front Filler	
	5240513	1	1	1	RH Coil End Close-off	7	5234326	1	1	1	Liquid Line Assy. (to valve)
4	5183536	4	4	4	Screw	8	5246392	1	1	1	Suction Line Assy.
5	5236313	1	-	-	Coil Cover						



REFRIGERATION SYSTEM COMPONENTS - (CONT'D)
 COIL ASSEMBLIES - NFL

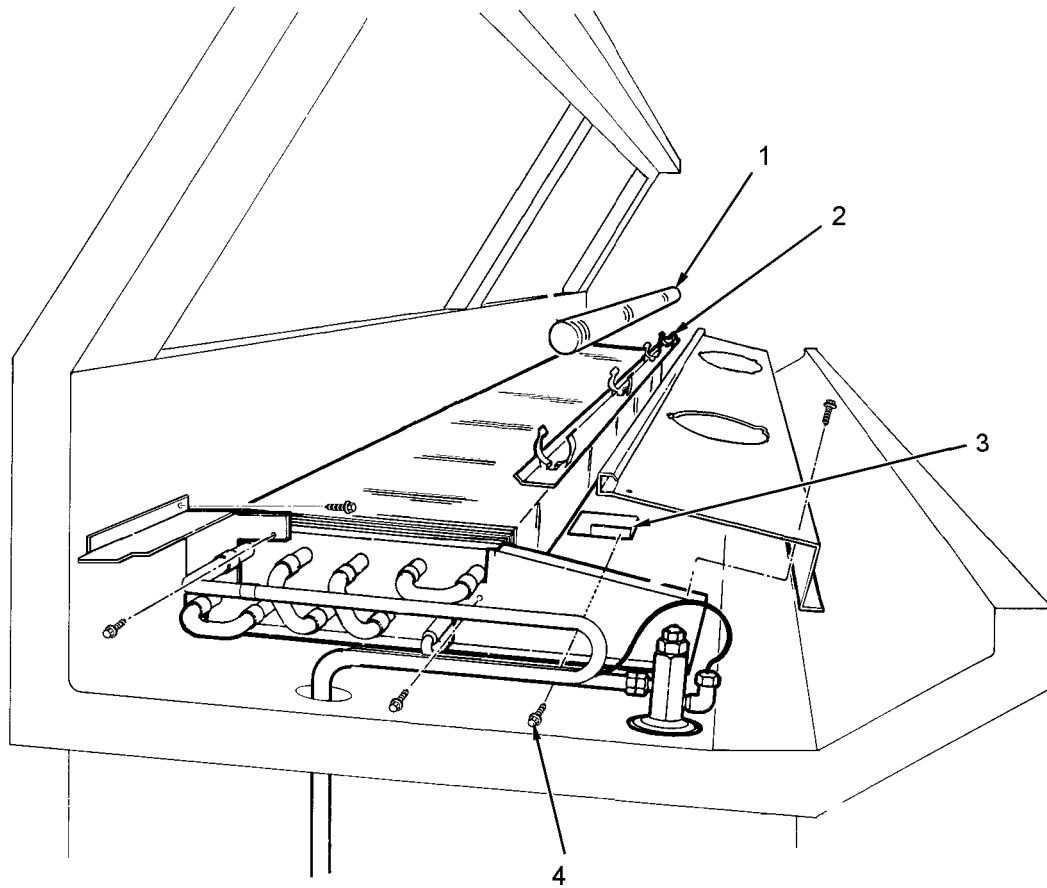


6', 8' and 12' Merchandiser

Item	Part No.	Quantity			Description	Item	Part No.	Quantity			Description
		6'	8'	12'				6'	8'	12'	
1	5955647	1	-	-	Coil & Fitting Assy.						
	5955648	-	1	-	Coil & Fitting Assy.						
	5228720	-	-	1	Coil & Fitting Assy.						
2	5183536	10	10	10	Screw	5	5183536	6	6	6	Screw
3	5240532	1	1	1	LH Coil End Close-off	6	5205171	2	2	2	Acces Cover
	5240533	1	1	1	RH Coil End Close-off	7	5125211	1	1	1	Klixon Thermostat
4	5234004	1	-	-	Coil Cover		5145098	1	1	1	Clip
						8	5223272	1	1	1	Liquid Line Assy.



REFRIGERATION SYSTEM COMPONENTS - (CONT'D)
ELECTRIC DEFROST - NFL

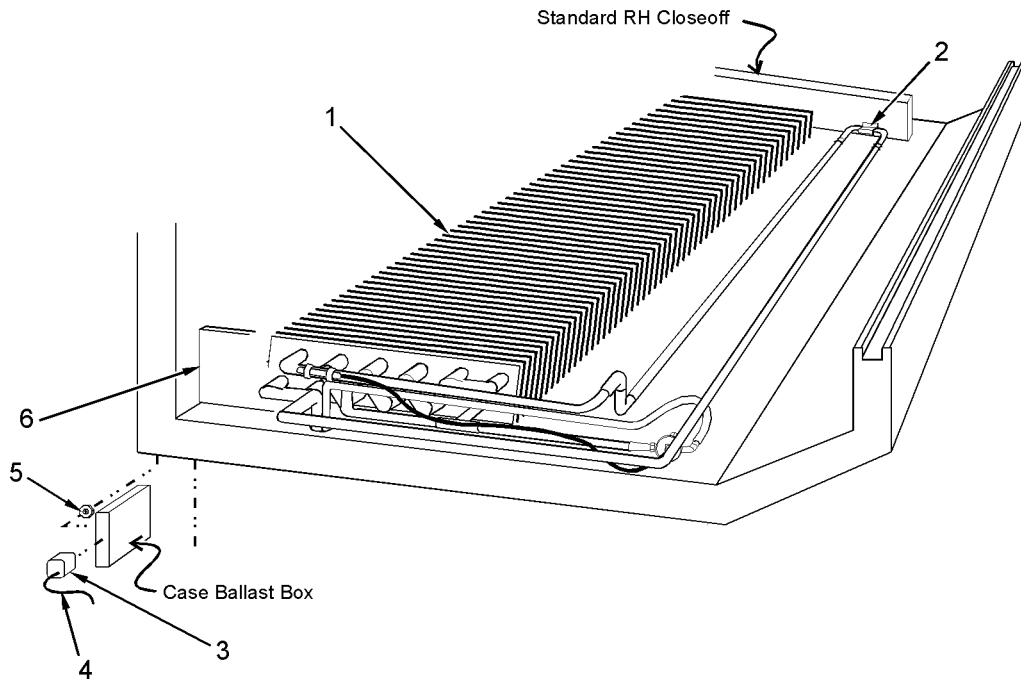


6', 8' and 12' Merchandiser

Item	Part No.	Quantity			Description
		6'	8'	12'	
1	5125153	1	-	-	Defrost Heater, 1341W
	5124521	-	1	-	Defrost Heater, 1430W
	5124522	-	-	1	Defrost Heater, 2145W
2	5955688	1	-	-	Htr. Tube Support Assy.
	5028056	-	1	-	Htr. Tube Support Assy.
	5028057	-	-	1	Htr. Tube Support Assy.
3	5955687	1	1	1	LH Defrost Htr. Support
	5955686	1	1	1	RH Defrost Htr. Support
4	5120746	6	6	6	Screw



REFRIGERATION SYSTEM COMPONENTS - (CONT'D)
 OPTIONAL HOT GAS DEFROST - NFL

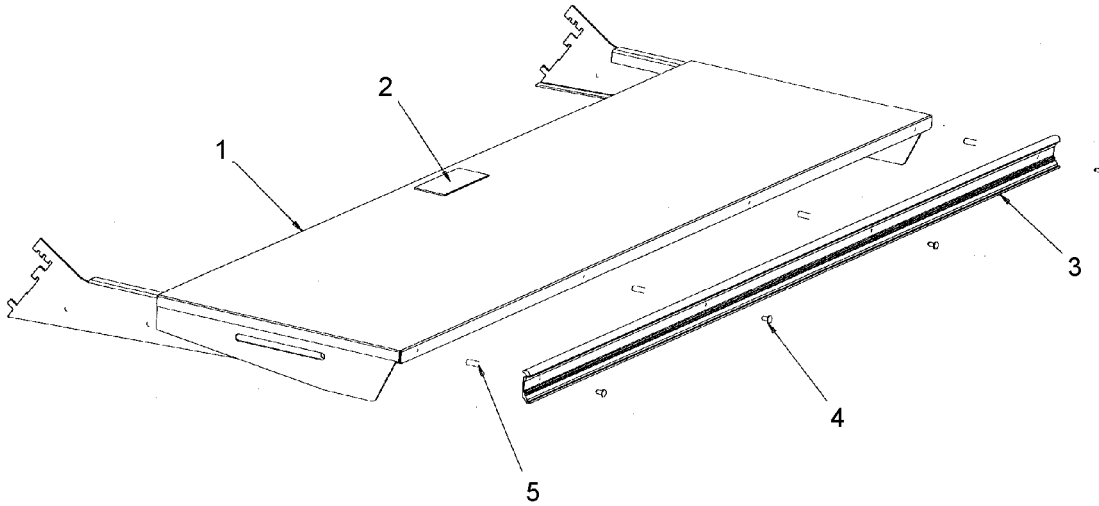


6', 8' and 12' Merchandiser

Item	Part No.	Quantity			Description	Options:			Description
		6'	8'	12'		Item	Part No.	Qty.	
*	5998021	1	-	-	Hot Gas Defrost Assy.	*	5197886	1	Hand Valve Assy.
*	5986309	-	1	-	Hot Gas Defrost Assy.	-	5620001	1	Hand Valve
*	5986310	-	-	1	Hot Gas Defrost Assy.	-	5624913	1	Copper Tube
1	5998022	1	-	-	Hot Gas Coil Assy.	-	5626028	1	Copper Tube
	5986303	-	1	-	Hot Gas Coil Assy.	-	5610221	1	Pull-up Channel
	5986304	-	-	1	Hot Gas Coil Assy.	-	5120943	4	Screw
	5980790	1	1	1	Suction to Hot Gas Tubing	-	5102813	1	Cap
	5980792	1	1	1	Hot Gas By-Pass	-	5128823	1	Elbow
	5998023	1	-	-	Coil & Fittings Assy.	*	5246398	1	Solenoid Valve, Mounted
	5986301	-	1	-	Coil & Fittings Assy.	*	5246393	1	Solenoid Valve Assy.
	5986302	-	-	1	Coil & Fittings Assy.	-	5191445	1	Solenoid Valve
	5998026	1	-	-	Hot Gas Loop Assy.	-	5626805	1	Tubing
	5986299	-	1	-	Hot Gas Loop Assy.	*	5246394	1	Solenoid Valve Assy.
	5986300	-	-	1	Hot Gas Loop Assy.	-	5231619	1	Solenoid Valve
2	5213351	1	1	1	Tube Hold Down Clip	-	5626805	1	Tubing
	5104702	2	2	2	Rivet	-	5634074	1	Solenoid Coil
3	5986308	1	1	1	Thermostat, Adjustable	-	5614699	1	Label
	5102353	1	1	1	Pipe Nipple	-	5183536	2	Screw
4	5185915	1	1	1	Black Wire Assy.	-	5184840	1	Terminal Block
5	5102105	1	1	1	Nut	*	5997117	1	Ball Valve Assy.
6	5980803	1	1	1	LH Fan Panel Close-off	-	5900914	1	Ball Valve
						-	5626805	1	Tubing
						-	5235501	1	Tubing
						-	5624902	1	Access Valve



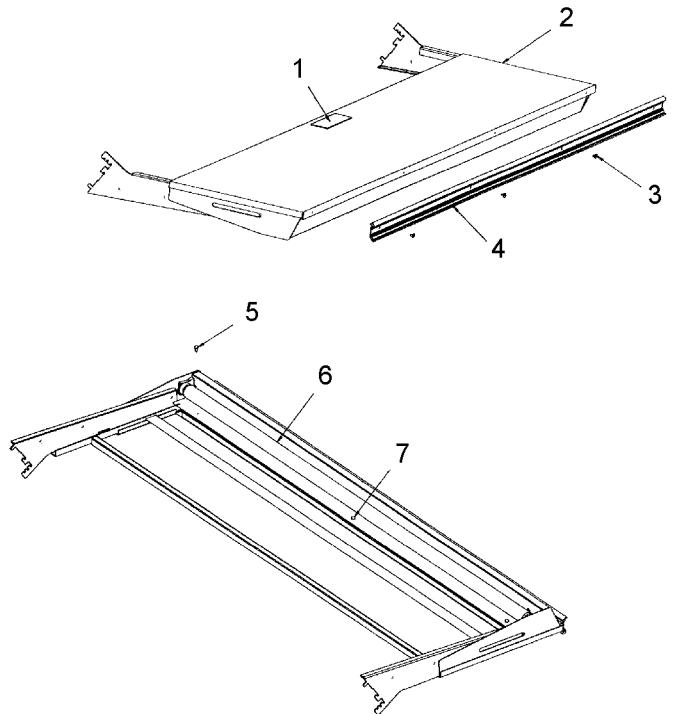
OPTIONAL CASE ACCESSORIES
 SHELF ASSEMBLIES - NFM/NFD/NFF/NFL
 Optional 10" & 12" Mezzanine Shelves w/o Lights



Item	Part No.	Qty.	Description
*	9603952	1	Mezz. Shelf Assy., 10" x 48" MB/SS w/o Lights
*	9603953	1	Mezz. Shelf Assy., 12" x 48" MB/SS w/o Lights
1	5234347	1	Shelf-10"X48", MB/SS
	5234352	1	Shelf-12"X48", MB/SS
2	5239718	1	Cleaning Label
3	5236879	1	Card Moulding-48"
4	9024814	4	Screw
5	9043078	4	Round Cap



OPTIONAL CASE ACCESSORIES - (CONT'D)
 SHELF ASSEMBLIES - NFM/NFD/NFF/NFL
 Optional 10" & 12" Mezzanine Shelves
 w/ T-8 Lights



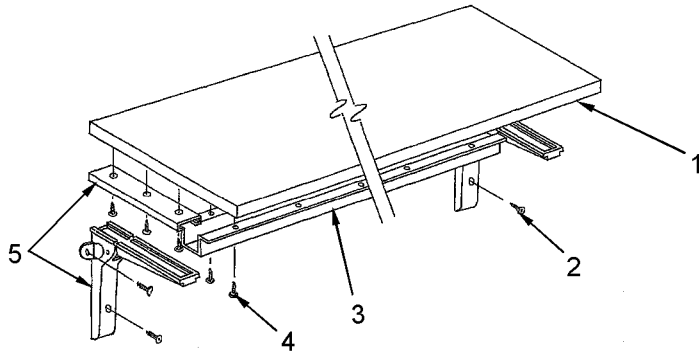
Item	Part No.	Qty.	Description	Item	Part No.	Qty.	Description
*	9603926	1	Mezz. Lighted Shelf Assy., 10" x 48" MB/SS	4	5236879	1	Card Moulding
*	9603913	1	Mezz. Lighted Shelf Assy., 12" x 48" MB/SS	5	9024814	3	Screw
1	5239718	1	Cleaning Instruction Label	6	9027657	1	Light Channel Assy. - T-8
2	5234347	1	Shelf-10" X 48"	5234343	1	Light Channel-8' & 12' Models	
	5234352	1	Shelf-12" X 48"	5981627	2	Lampholders-T8	
3	9029415	4	Screw	5238845	1	Clamp	
				5103996	2	Lock Washer	
				5111197	2	Screw-	
				5111198	2	Nut	
				5214107	2	Screw-	
				5981622	1	Lamp Shield	
				9027906	1	Shelf Feed Harness	
				7	9024814	3	Screw



OPTIONAL CASE ACCESSORIES - (CONT'D)

SHELF ASSEMBLIES - NFM/NFD/NFF/NFL

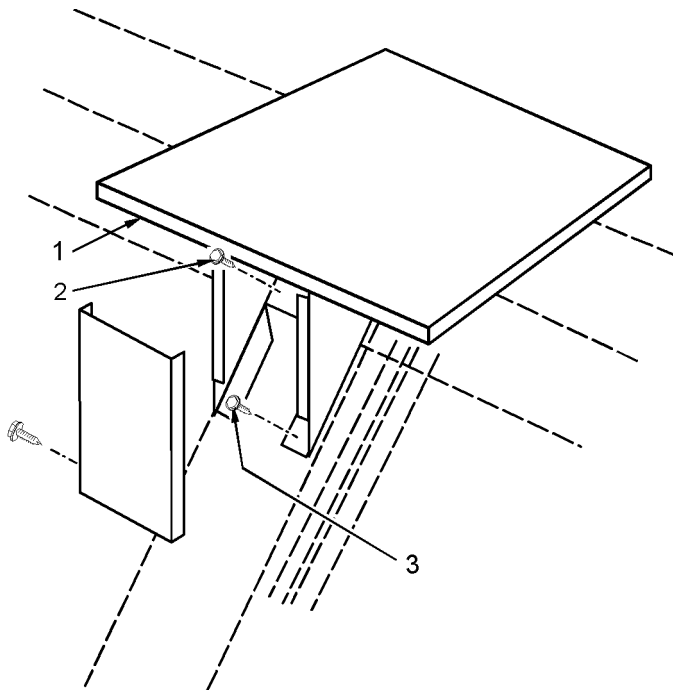
Optional 30", 48" & 60" Wrap Shelves



Item	Part No.	Qty.	Description
*	5952011	1	30" Poly Wrap Shelf Assy.
1	5951959	1	Poly Board, 9.5" x 29"
2	1309067	6	Screw
3	5952010	1	Reinforcement Channel
4	5100212	12	Screw
5	5182581	2	Bracket
*	5190217	1	48" Poly Wrap Shelf Assy.
1	5190222	1	Poly Board, 9.5" x 47"
2	1309067	3	Screw
3	5190220	1	Reinforcement Channel
4	5123781	14	Screw
5	5182581	2	Bracket
*	5986525	1	48" Poly Wrap Shelf Assy.
1	5986523	1	Poly Board, 7.25" x 47"

2	1309067	6	Screw
3	5190220	1	Reinforcement Channel
4	5123781	14	Screw
5	5182581	2	Bracket
*	5182582	1	48" Wood Wrap Shelf Assy.
1	5183579	1	Wood Shelf, 48"
2	1309067	3	Screw
3	-----	-	N/A
4	-----	-	N/A
5	5182581	2	Bracket
*	5190218	1	60" Poly Wrap Shelf Assy.
1	5190221	1	Poly Board, 9.5" x 47"
2	1309067	9	Screw
3	-----	-	N/A
4	5123781	9	Screw
5	5182581	3	Bracket
*	9603495	1	48" BLK Poly Wrap Shelf Assy.
1	9603493	1	BLK Poly Board, 9.50" x 47"
2	1309067	6	Screw
3	5190220	1	Reinforcement Channel
4	5183536	14	Screw
5	5182581	2	Bracket
*	5182583	1	60" Wood Wrap Shelf Assy.
1	5182580	1	Wood Shelf, 60"
2	1309067	9	Screw
3	-----	-	N/A
4	-----	-	N/A
5	5182581	3	Bracket

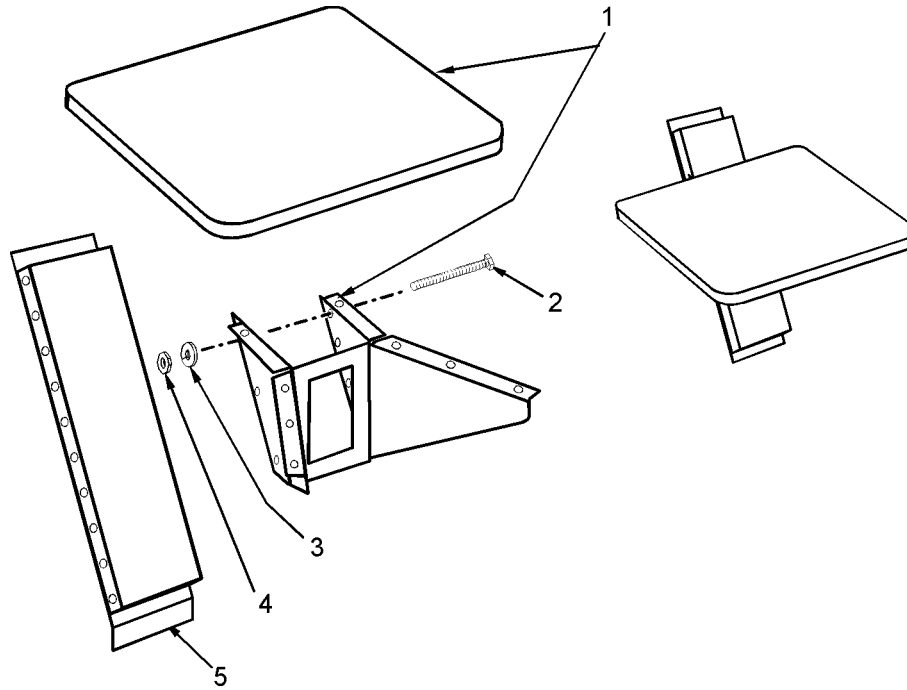
Optional Top Mount Scale Shelves



Item	Part No.	Qty.	Description
*	5233325	1	Top Mount Scale Shelf Assy., 14" x 16" (BRT/SS)
*	5233327	1	Top Mount Scale Shelf Assy., 14" x 22" (BRT/SS)
*	5985212	1	Top Mount Scale Shelf Assy., 20" x 22" (BRT/SS)
*	5985078	1	Top Mount Scale Shelf Assy., 14" x 16" (wood)
*	5986639	1	Top Mount Scale Shelf Assy., 14" x 16" (poly)
1	5233326	1	SS Scale Shelf Bench Assy., 14" x 16"
	5233328	1	SS Scale Shelf Bench Assy., 14" x 22"
	5985211	1	SS Scale Shelf Bench Assy., 20" x 22"
	5985077	1	Wd. Scale Shelf Bench Assy., 14" x 16"
	5986640	1	Poly Scale Shelf Bench Assy., 14" x 16"
2	1309067	2	Screw
3	5205439	2	Screw



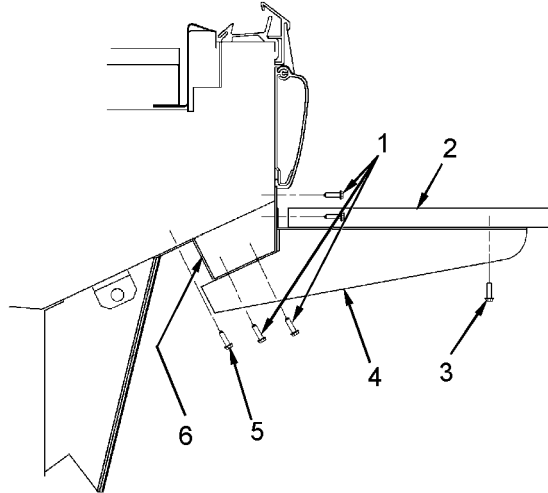
OPTIONAL CASE ACCESSORIES - (CONT'D)
 SHELF ASSEMBLIES - NFM/NFD/NFF/NFL
 Optional Rear Mount Scale Shelves



Item	Part No.	Qty.	Description	Item	Part No.	Qty.	Description	
*	5995784	1	Rear Mount Scale Shelf Assy., 14" x 16" (Poly)	9030934	1	Poly Scale Shelf Assy., 16"x18"		
*	5995952	1	Rear Mount Scale Shelf Assy., 14" x 16" (Poly)	9030393	1	Shelf		
*	5988940	1	Rear Mount Scale Shelf Assy., 16" x 16" (Poly)	5991023	1	Poly Scale Shelf Assy., 16"x22"		
*	9030395	1	Rear Mount Scale Shelf Assy., 16" x 18" (Poly)	5991024	1	Shelf		
*	5991022	1	Rear Mount Scale Shelf Assy., 16" x 22" (Poly)	5233284	1	Poly Scale Shelf Assy., 20"x22"		
*	5233297	1	Rear Mount Scale Shelf Assy., 20" x 22" (Poly)	5946608	1	Shelf		
*	5233296	1	Rear Mount Scale Shelf Assy., 20" x 22" (Wood)	5233283	1	Wood Scale Shelf Assy., 20"x22"		
*	5990298	1	Rear Mount Scale Shelf Assy., 20" x 22" (BRT/SS)	5991076	1	Shelf		
1	5995783	1	Poly Scale Shelf Assy., 14"x16"	5990297	1	BRT/SS Scale Shelf Assy., 20"x22"		
	5223757	1	Shelf	5953081	1	Shelf		
	5995951	1	Poly Scale Shelf Assy., 14"x16"	5988938	1	Bracket (for 16" & 18" shelves)		
	5995948	1	Shelf	5233211	1	Bracket (for 22" shelves)		
	5988939	1	Poly Scale Shelf Assy., 16"x16"	5619204	8	Screw		
	5988936	1	Shelf	2	5220088	3	Screw	
				3	5101000	3	Lockwasher	
				4	5100616	3	Nut	
				5	5994298	1	Upright Support	
					1309067	4	Screw	
					5183536	2	Screw	
					5100918	1	Plug Button	



OPTIONAL CASE ACCESSORIES - (CONT'D)
SHELF ASSEMBLIES - NFM/NFD/NFF/NFL
Optional Front Bread Shelves

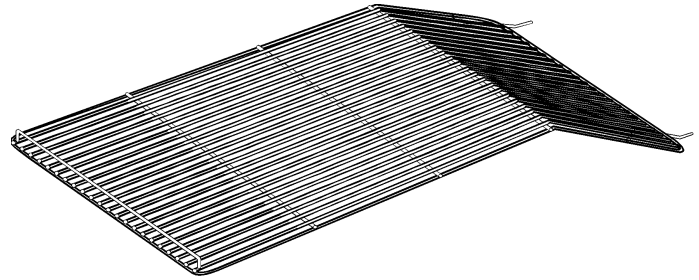
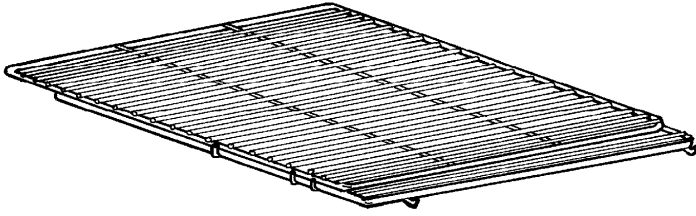


6', 8' and 12' Merchandiser

Item	Part No.	Quantity.			Description
		6'	8'	12'	
*	9020798	1	-	-	Front Shelf Mounting
*	9020255	-	1	-	Front Shelf Mounting
*	9020256	-	-	1	Front Shelf Mounting
1	1309067	9	12	18	Screw
2	5932058	1	-	-	6' Shelf, Quaker Oak
	5949993	1	-	-	6' Shelf Imperial Oak
	5980461	1	-	-	6' Shelf, Black
	5220213	1	-	-	6' Shelf, Walnut
	5932059	-	1	-	8' Shelf, Quaker Oak
	5949994	-	1	-	8' Shelf, Imperial Oak
	5980462	-	1	-	8' Shelf, Black
	5615265	-	1	-	8' Shelf, Walnut
	5932060	-	-	1	12' Shelf, Quaker Oak
	5949995	-	-	1	12' Shelf, Imperial Oak
	5980463	-	-	1	12 Shelf, Black
	5615266	-	-	1	12' Shelf, Walnut
3	5205439	9	12	18	Screw
4	9022870	3	4	6	Front Shelf Bracket
5	5183536	6	8	12	Screw
6	9034749	1	-	-	6' Shelf Support
	9034750	-	1	-	8' Shelf Support
	9034751	-	-	1	12' Shelf Support



OPTIONAL CASE ACCESSORIES - (CONT'D) SCREENS, FENCES AND TRAYS

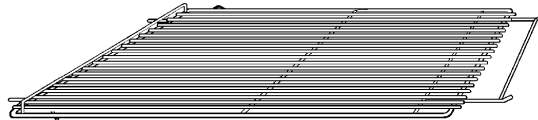


Optional Telescoping Screens

Item	Part No.	Quantity			Description
		6'	8'	12'	
-	5946888	3	4	6	Telescoping Screen, WHT (NFM/NFD)
-	5199443	3	4	6	Telescoping Screen, WHT (NFF)
-	5997065	3	4	6	Telescoping Screen, BLK (NFM/NFD)

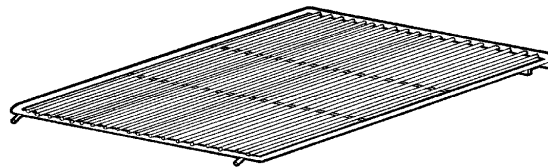
Optional 4" Angled Screens (NFM)

Item	Part No.	Qty.	Description
-	5987530	1	4" Angled Screen
-	9031153	1	4" Angled Screen, BLK



Optional Flat Elevating Screen

Item	Part No.	Quantity			Description
		6'	8'	12'	
-	5987201	3	4	6	Flat Elevating Screen, 23 5/8" x 32 1/4"
-	5962128	3	4	6	Flat Elevating Screen, 23 5/8" x 29 1/16"

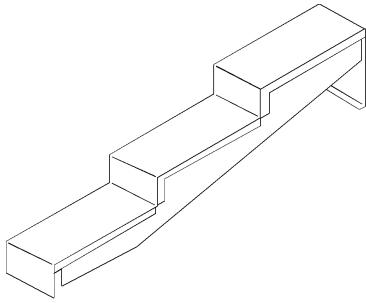


Optional Flat Screen

Item	Part No.	Quantity			Description
		6'	8'	12'	
-	5233835	3	4	6	Flat Screen, 23 5/8" x 33 1/2"

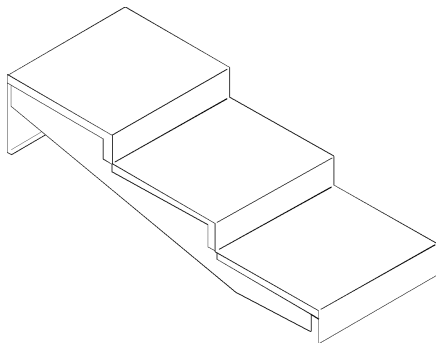


OPTIONAL CASE ACCESSORIES - (CONT'D)
SCREENS, FENCES AND TRAYS



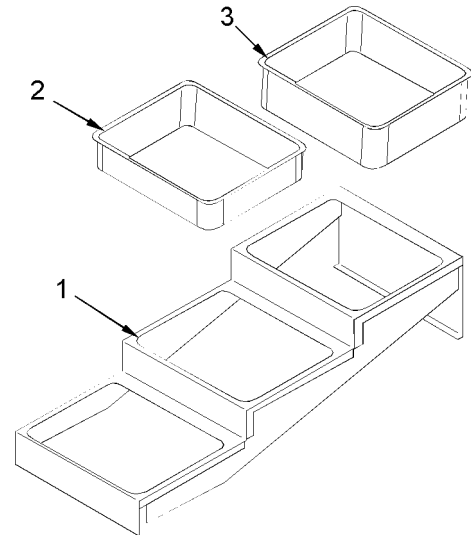
Optional 3-Step Narrow Solid Tray

Item	Part No.	Qty.	Description
-	5233573	1	3-Step Narrow Tray (NFM/NFD - 8' & 12')



Optional 3-Step Solid Trays

Item	Part No.	Qty.	Description
-	5233536	1	3-Step Solid Tray (NFM/NFF/NFD - 8' & 12')
-	5233574	1	3-Step Solid Tray (all 8' & 12' cases)

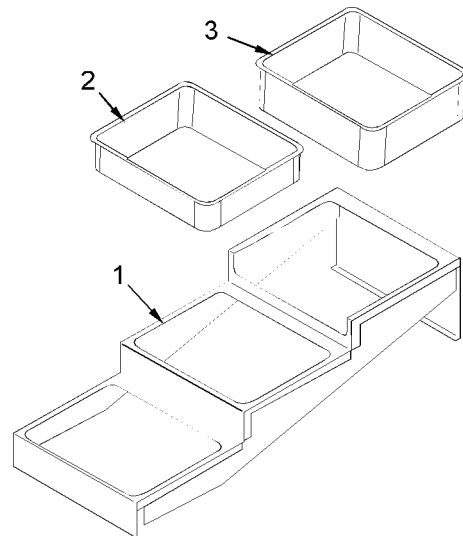


Optional 3-Step Trays w/ Openings & Pans

Item	Part No.	Qty.	Description
*	5233607	1	3-Step Tray Assy. w/Openings & Pans (all 8' & 12' cases)
1	5233608	1	3-Step Tray w/Openings
2	5146721	1	4 1/2 Qt. Pan
3	5106467	2	6 1/2 Qt. Pan

Optional 3-Step Trays w/ Openings

Item	Part No.	Qty.	Description
-	5233608	1	3-Step Tray w/Openings (all 8' & 12' cases)

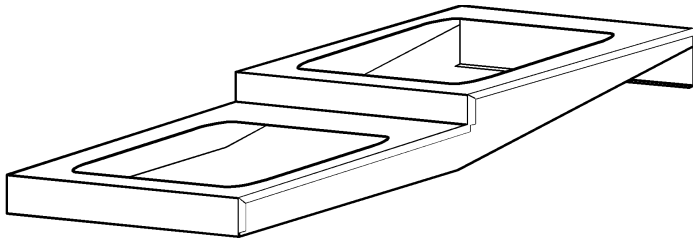


Optional 3-Step Tray w/ Cutouts & Pans

Item	Part No.	Qty.	Description
*	5233595	1	3-Step Tray Assy.w/Cutouts & Pans (NFM/NFD - 8' & 12')
1	5233594	1	3-Step Tray w/Openings
2	5146721	1	4 1/2 Qt. Pan
3	5106467	2	6 1/2 Qt. Pan

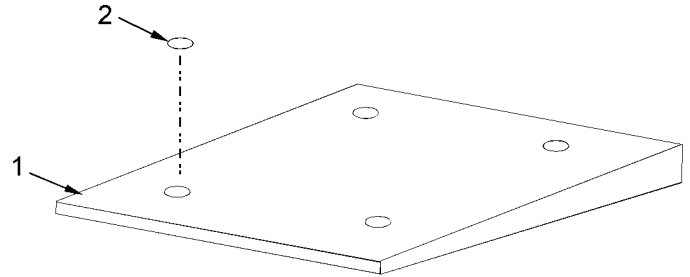


**OPTIONAL CASE ACCESSORIES - (CONT'D)
SCREENS, FENCES AND TRAYS**



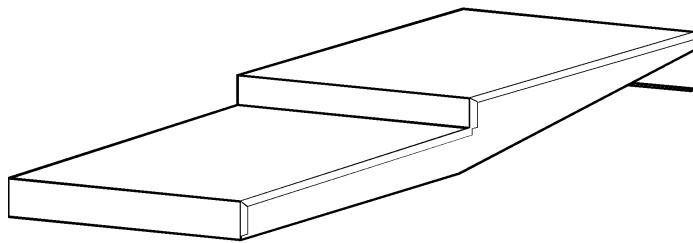
Optional 2-Step Trays w/ Cutouts

Item	Part No.	Qty.	Description
-	5932087	1	2-Step Tray w/Cutouts (NFM/NFF/NFD - 6', 8' & 12')
-	5999429	1	2-Step Tray w/Cutouts (NFM/NFF/NFD - 8' & 12')



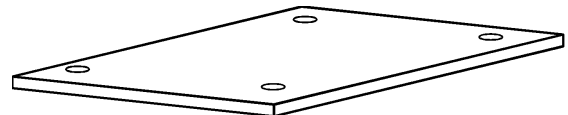
Optional Elevated Tray

Item	Part No.	Qty.	Description
-	5986294	1	1 1/2" - 4" Elevated Tray
1	5986292	1	Elevated Tray
2	5124331	4	Bushing



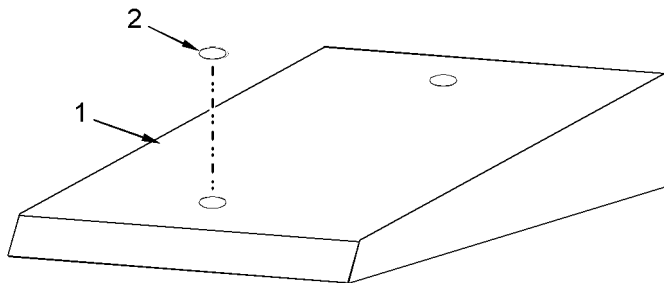
Optional 2-Step Solid Trays

Item	Part No.	Qty.	Description
-	5932088	1	2-Step Solid Tray (2 1/2" drop) (NFM/NFF/NFD - 6', 8' & 12')
-	5987813	1	2-Step Solid Tray (NFM/NFF/NLFD - 8' & 12')
-	5987815	1	2-Step Solid Tray (3 3/4" drop) (NFD - 8' & 12')



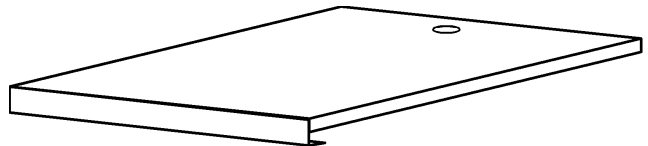
Optional Ice Trays

Item	Part No.	Quantity			Description
		6'	8'	12'	
-	5233649	-	4	6	Reinforced Ice Tray, NFF
-	5233662	3	4	6	Ice Tray, NFF
-	5995130	-	4	6	Ribbed Ice Tray, NFF
-	5996407	3	4	6	Ice Tray (NFD - 6') (NFM - 6', 8' & 12') (NFF - 8' & 12')



Optional Elevated Tray

Item	Part No.	Qty.	Description
-	5996969	1	3" - 10" Elevated Tray
1	5996985	1	Elevated Tray
2	5124331	2	Bushing

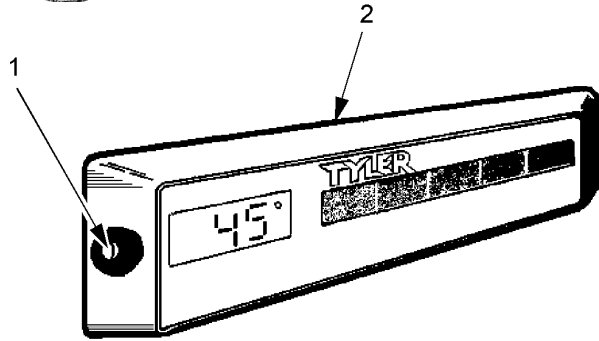


Optional Bottom Trays

Item	Part No.	Quantity			Description
		6'	8'	12'	
-	5233654	3	4	6	Bottom Tray, BRT/SS (NFL/NFD) - STD
-	5235742	-	4	6	Bottom Tray, MB/SS (NFM) - STD

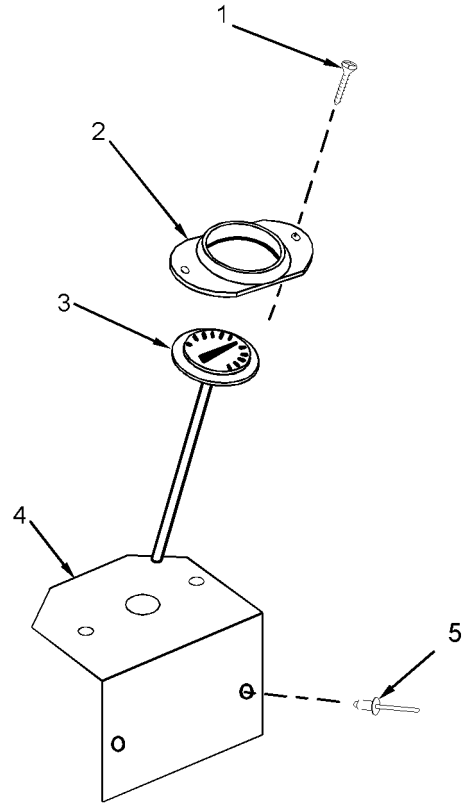


OPTIONAL CASE ACCESSORIES - (CONT'D) THERMOMETERS



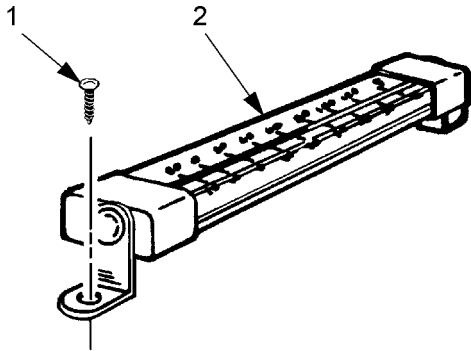
Digital Solar Thermometer

Item	Part No.	Qty.	Description
*	5230912	1	Digital Thermometer Assy., F°
*	5988308	1	Digital Thermometer Assy., C°
1	5230884	2	Screw
2	5239500	1	Digital Thermometer, F°
	5239501	1	Digital Thermometer, C°
-	5100902	1	Clamp, Plastic
-	5111198	1	Nut
-	5127438	2	Rear Deflector Spacer
-	5185153	1	Screw
-	5218751	3	Clip Cord



1" Dial Thermometer, Rear Duct

Item	Part No.	Qty.	Description
*	5985278	1	1" Dial Thermometer Assy.
1	5219883	2	Screw
2	----	1	Mounting Ring (furn. w/therm.)
3	5203829	1	1" Dial Thermometer
4	5235142	1	Thermometer Support
5	5104702	2	Rivet



1" Dial Thermometer, Top Coil

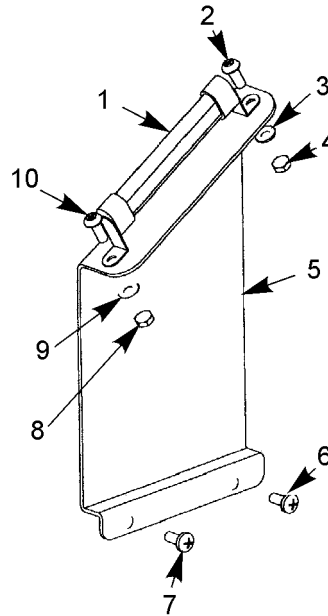
Item	Part No.	Qty.	Description
*	9024966	1	1" Thermometer Assy., Top Coil
1	9024814	2	Screw
2	----	1	Mounting Ring (furn. w/therm.)
3	5203829	1	1" Dial Thermometer
-	9024967	1	Bracket (not shown)
	9043078	2	Round Cap - Blue

Standard Thermometer

Item	Part No.	Qty.	Description
*	5967100	1	Thermometer



OPTIONAL CASE ACCESSORIES - (CONT'D) THERMOMETERS



Standard Thermometer & Mounting

Item	Part No.	Qty.	Description
*	9043556	1	Thermometer Assembly
1	5967100	1	Pencil Thermometer
2	5208265	1	Screw
3	5100387	1	Lock Washer
4	5100661	1	Nut
5	9043550	1	Bracket
6	9024883	1	Screw
7	9024883	1	Screw
8	5100661	1	Nut
9	5100387	1	Flat Washer
10	5208265	1	Screw