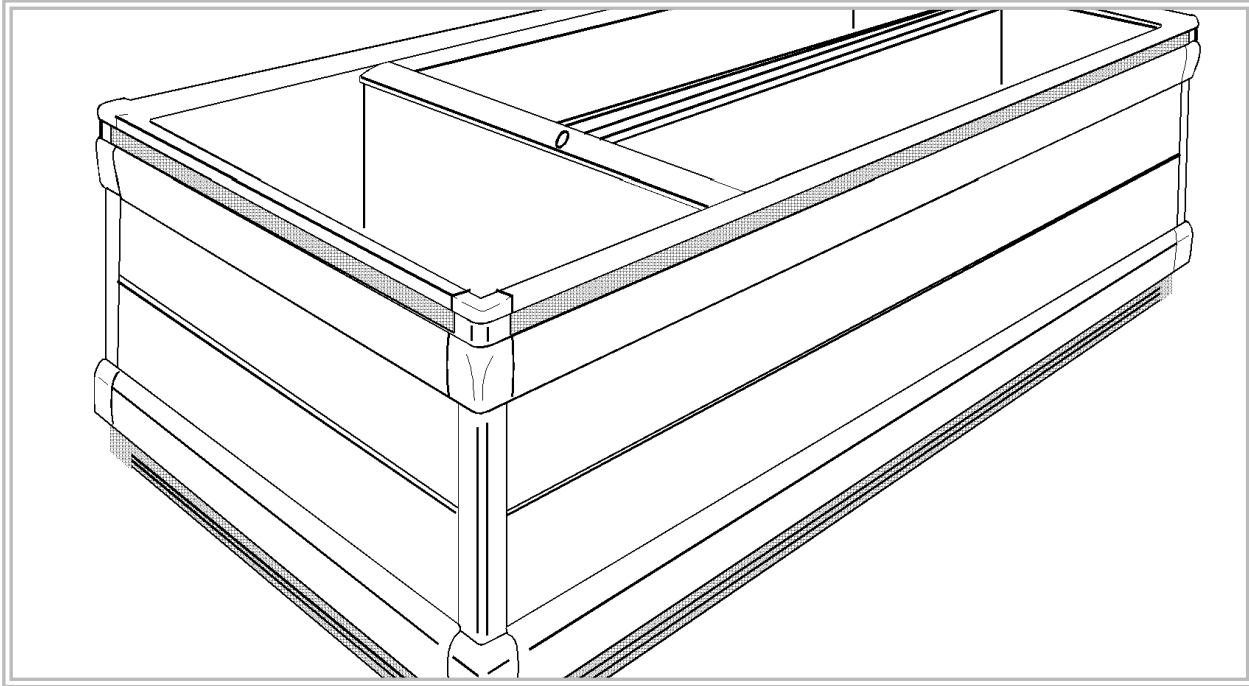


# Replacement Parts <sup>series</sup> Advantage



## Narrow Island & Back-To-Back Merchandiser

Production began January 8, 2001

9000630	NFN8	Low-Temp	8' Narrow Island FF Merchandiser
9000631	NFN12	Low-Temp	12' Narrow Island FF Merchandiser
9000632	NCN8	Low-Temp	8' Narrow Island IC Merchandiser
9000633	NCN12	Low-Temp	12' Narrow Island IC Merchandiser
9000634	NFNG8	Low-Temp	8' Narrow Island FF Merchandiser w/Glass
9000635	NFNG12	Low-Temp	12' Narrow Island FF Merchandiser w/Glass
9000636	NCNG8	Low-Temp	8' Narrow Island IC Merchandiser w/Glass
9000637	NCNG12	Low-Temp	12' Narrow Island IC Merchandiser w/Glass
9000666	NFB8	Low-Temp	8' Back-to-Back FF Merchandiser
9000667	NFB12	Low-Temp	12' Back-to-Back FF Merchandiser
9000668	NCB8	Low-Temp	8' Back-to-Back IC Merchandiser
9000669	NCB12	Low-Temp	12' Back-to-Back IC Merchandiser
9000670	NFBG8	Low-Temp	8' Back-to-Back FF Merchandiser w/Glass
9000671	NFBG12	Low-Temp	12' Back-to-Back FF Merchandiser w/Glass
9000672	NCBG8	Low-Temp	8' Back-to-Back IC Merchandiser w/Glass
9000673	NCBG12	Low-Temp	12' Back-to-Back IC Merchandiser w/Glass
9000674	NFE	Low-Temp	Back-to-Back End FF Merchandiser
9000675	NCE	Low-Temp	Back-to-Back End IC Merchandiser
9000676	NFGE	Low-Temp	Back-to-Back End FF Merchandiser w/Glass
9000677	NCGE	Low-Temp	Back-to-Back End IC Merchandiser w/Glass

NFN • NCN • NFNG • NCNG  
 NFB • NCB • NFBG • NCBG  
 NFE • NCE • NFGE • NCGE



Issue date: MARCH 2001

Replaces issue:

Part number: 9037194

Revision:

Tyler Refrigeration Corporation Niles, MI 49120  
 Parts information subject to change without notice  
 Printed in U.S.A.

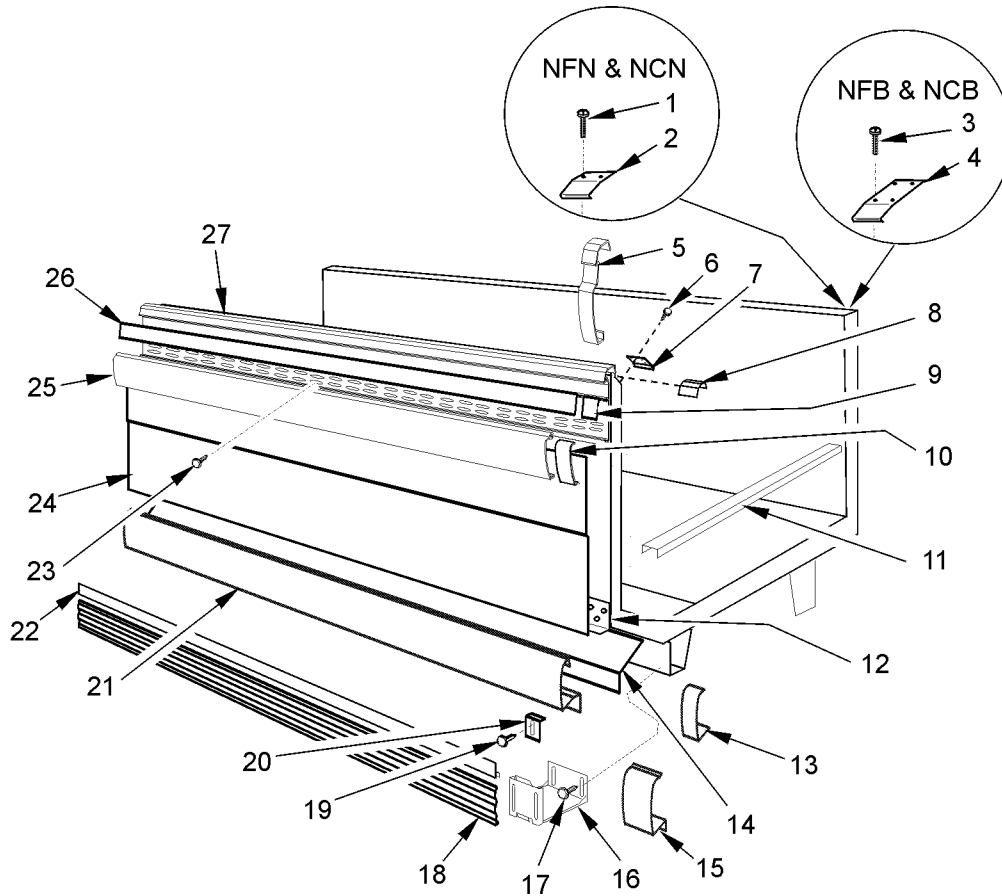


## CONTENTS

	<u>Page</u>
Cladding, Covers and Trims .....	C1-C16
 <b>Structural Components</b>	
Ducts and Panels - NFN(G)/NCN(G)/NFB(G)/NCB(G) .....	S1
Ducts and Panels - NFE/NCE .....	S2
Ducts and Panels - NFGE/NCGE .....	S3
Top Glass - NFNG/NCNG/NFBG/NCBG .....	S4
Top Glass - NFGE/NCGE .....	S5
Wrap Ends, Patch Ends, Partitions and Plexiglas Dividers	
Wrap Ends .....	S6, S7
Solid Patch Ends .....	S8, S9
1" Solid Partitions .....	S10
Inside Plexiglas Dividers .....	S11
 <b>Electrical System Components</b>	
Wiring Harnesses	
Wiring and Components - NFN(G)/NCN(G)/NFB(G)/NCB(G) .....	E1
Wiring and Components - NFE/NCE/NFGE/NCGE .....	E2
Fan Systems - NFN(G)/NCN(G)/NFB(G)/NCB(G) .....	E3
Fan Systems - NFE/NCE/NFGE/NCGE .....	E4
Optional Superstructure Components	
XS Superstructure Upright Assembly .....	E5
XS Superstructure 12" Shelf Assembly .....	E6
AXS Superstructure Upright Assembly .....	E7
AXS Superstructure 12" & 15" Shelf Assemblies .....	E8
AXS Superstructure 15" Shelf Light Channel Assembly .....	E9
YWA End Superstructure Assembly .....	E10
YWA End Superstructure 12" Shelf Light Channel Assembly .....	E11
DWA End Superstructure Assembly .....	E12
DWA End Superstructure 15" Shelf Channel Assembly .....	E13
 <b>Refrigeration System Components</b>	
Coil Assemblies - NFN(G)/NCN(G)/NFB(G)/NCB(G) .....	R1
Coil Assemblies - NFE/NCE/NFGE/NCGE .....	R2
Electric Defrost .....	R3
Optional Hot Gas Defrost - NFN(G)/NCN(G)/NFB(G)/NCB(G) .....	R4
Optional Hot Gas Defrost - NFE/NCE/NFGE/NCGE .....	R5
 <b>Optional Case Accessories</b>	
Shelf Screens, Shelf Dividers and Nite Cover .....	A1
Thermometers .....	A2



CLADDING, COVERS AND TRIMS  
NFN/NCN/NFB/NCB - 8'



8' Merchandiser

Item	Part No.	Qty.	Description	Item	Part No.	Qty.	Description
1	5205439	4	Screw (NFN/NCN)	5	5183536	12	Screw
2	5207489	1	Top RR Riser Joint Trim (NFN/NCN)	15	+	1	Raceway Cover End Trim
3	5205439	4	Screw (NFB/NCB)	16	9042341	3	Kickplate Support Assy. - Front
4	5617381	1	Top Center Joint Trim (NFB/NCB)	17	9042417	3	Kickplate Support Assy. - Rear
5	+	1	Bumper End Trim	18	9025833	6	Shoulder Screw
6	5205439	4	Screw	19	+	2	Kickplate
7	5207491	1	Retrun Air Duct Joint Trim	20	9041790	2	Kickplate Backer
8	9025316	2	Handrail Backer Ptd.	21	5183536	8	Screw
9	9040223	2	Color Band Backer, Ptd.	22	9023841	4	Raceway Cover Retainer
10	+	1	Bumper Backer	23	+	1	Raceway Cover
11	5127503	1	Horizontal Joint Trim	24	5183536	36	Screw
12	9300197	8	Cladding Retainer	25	9025637	1	Front Cladding, Ptd.
	5183536	16	Screw	26	+	1	Bumper
13	+	1	Raceway Cover Backer	27	9023798	2	Color Band, Ptd
14	9300218	1	Raceway (NFN/NCN)		+	1	Bumper Retainer/Handrail
	9300219	2	Raceway (NFB/NCB)				
	5183536	18	Screw				
	9041321	6	Raceway Support - Front				
	9041325	6	Raceway CVR Support - Rear				

+ See pages C2 and C3 for parts breakdown per color.



# CLADDING, COVERS AND TRIMS - (CONT'D)

NFN/NCN/NFB/NCB - 8'

**Bumper Retainer [Item 27]**  
Without Partition  
(96.062"):

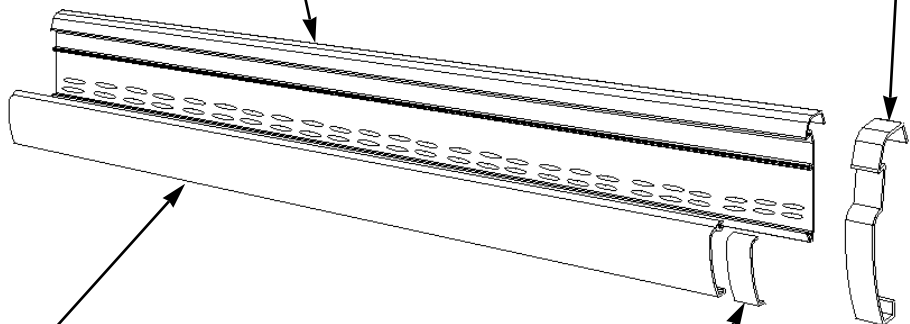
Part Number	Color
9025491	White
9025504	Bone White
9025517	Misty Gray
9025530	Pearl
9025543	Oatmeal
9025557	Soft Sand
9025570	Chromium
9025583	Cool Gray
9025596	Oyster
9025609	Black
9028935	Steel Gray
9031792	Chocolate
9031819	Mocha
9031873	Stone

With Partition  
(97.062"):

Part Number
9026949
9026950
9026951
9026952
9026953
9026954
9026955
9026956
9026957
9026958
9028937
9031794
9031821
9031875

**Bumper End Trim [Item 5]**

Part Number	Color
9027220	White
9027221	Bone White
9027222	Misty Gray
9027223	Pearl
9027224	Oatmeal
9027225	Soft Sand
9027226	Chromium
9027227	Cool Gray
9027228	Oyster
9027229	Black
9028882	Steel Gray
9034333	Chocolate
9034334	Mocha
9031335	Stone
9023195	RH Bmpr Pusher Brkt
9028082	LH Bmpr Pusher Brkt
5053985	Screw (2 per brkt)



**Bumper [Item 25]**  
Without Partition  
(96.062"):

Part Number	Color
9025036	White
9025266	Bone White
9025287	Misty Gray
9025308	Pearl
9025329	Oatmeal
9025350	Soft Sand
9025371	Chromium
9025392	Cool Gray
9025413	Oyster
9025434	Black
9028905	Steel Gray
9031687	Chocolate
9031724	Mocha
9031761	Stone

With Partition  
(97.062"):

Part Number
9027179
9027180
9027181
9027182
9027183
9027184
9027185
9027186
9027187
9027188
9028907
9031689
9031726
9031763

**Bumper Backer [Item 10]**

Part Number	Color
9025023	White
9025028	Bone White
9025035	Misty Gray
9025038	Pearl
9025041	Oatmeal
9025253	Soft Sand
9025258	Chromium
9025265	Cool Gray
9025268	Oyster
9025271	Black
9028883	Steel Gray
9031884	Chocolate
9031885	Mocha
9031886	Stone



# CLADDING, COVERS AND TRIMS - (CONT'D)

NFN/NCN/NFB/NCB - 8'

## Raceway Cover [Item 21] Without Partition (96.062"):

Part Number	Color
9025666	White
9025675	Bone White
9025686	Misty Gray
9025697	Pearl
9025708	Oatmeal
9025719	Soft Sand
9025730	Chromium
9025741	Cool Gray
9025752	Oyster
9025763	Black
9310660	Steel Gray
9031571	Chocolate
9031598	Mocha
9031652	Stone

## With Partition (97.062"):

Part Number	Color
9027077	White
9027078	Bone White
9027079	Misty Gray
9027080	Pearl
9027081	Oatmeal
9027082	Soft Sand
9027083	Chromium
9027084	Cool Gray
9027085	Oyster
9027086	Black
9310661	Steel Gray
9031572	Chocolate
9031599	Mocha
9031653	Stone

## Raceway Cover Backer [Item 13]

Part Number	Color
9025795	White
9025796	Bone White
9025797	Misty Gray
9025798	Pearl
9025799	Oatmeal
9025800	Soft Sand
9025801	Chromium
9025802	Cool Gray
9025803	Oyster
9025804	Black
9310683	Steel Gray
9031907	Chocolate
9031908	Mocha
9031909	Stone

## Raceway Cover End Trim [Item 15]

Part Number	Color
9027231	White
9027232	Bone White
9027233	Misty Gray
9027234	Pearl
9027235	Oatmeal
9027236	Soft Sand
9027237	Chromium
9027238	Cool Gray
9027239	Oyster
9027240	Black
9310681	Steel Gray
9034336	Chocolate
9034337	Mocha
9034338	Stone

## Kickplate [Item 18]

### Without Partition (96.062"):

Part Number	Color
9041690	Cool Gray
9041691	Black
9041692	Pearl
9041694	Steel Gray

### With Partition (97.062"):

Part Number
9041700
9041701
9041702
9041704

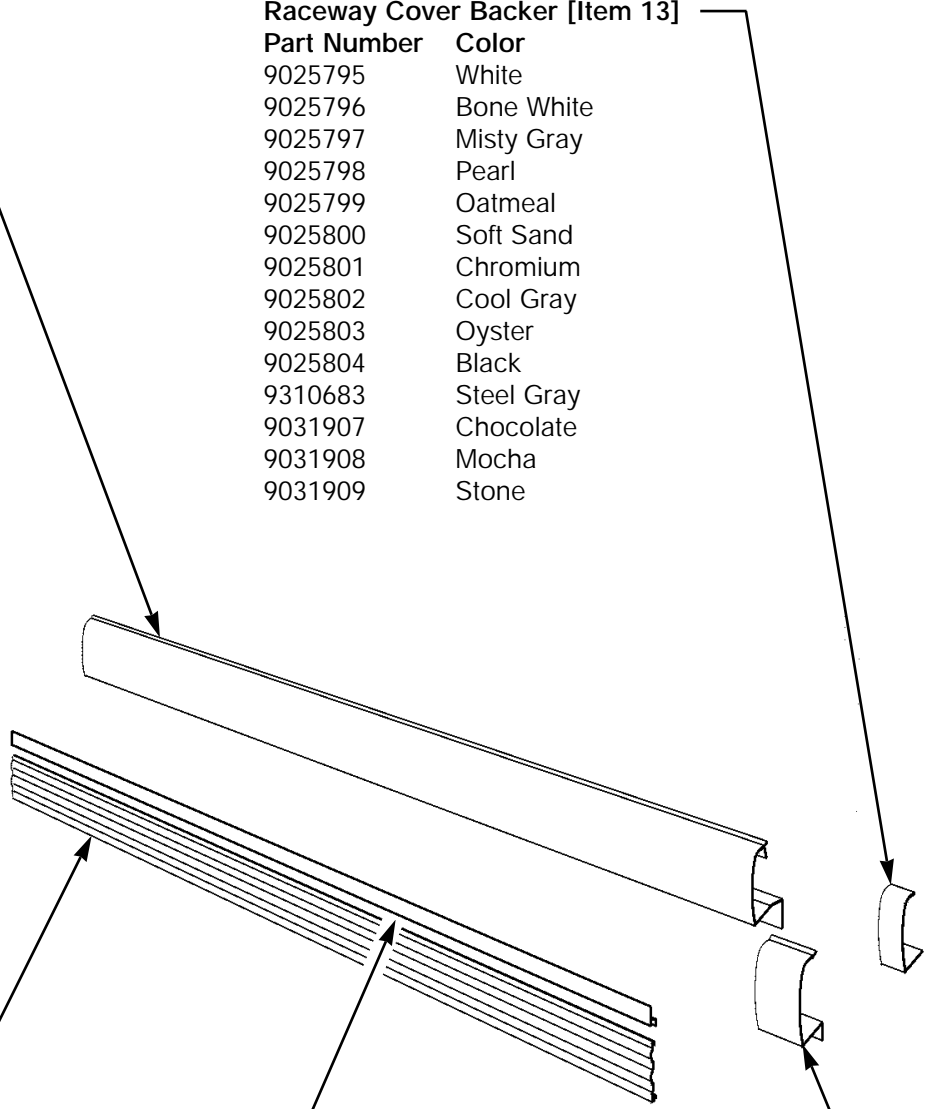
## Optional Kickplate Extension [Item 22]

### Without Partition (96.062"):

Part Number	Color
9042868	Cool Gray
9042869	Black
9042870	Pearl
9042871	Steel Gray

### With Partition (97.062"):

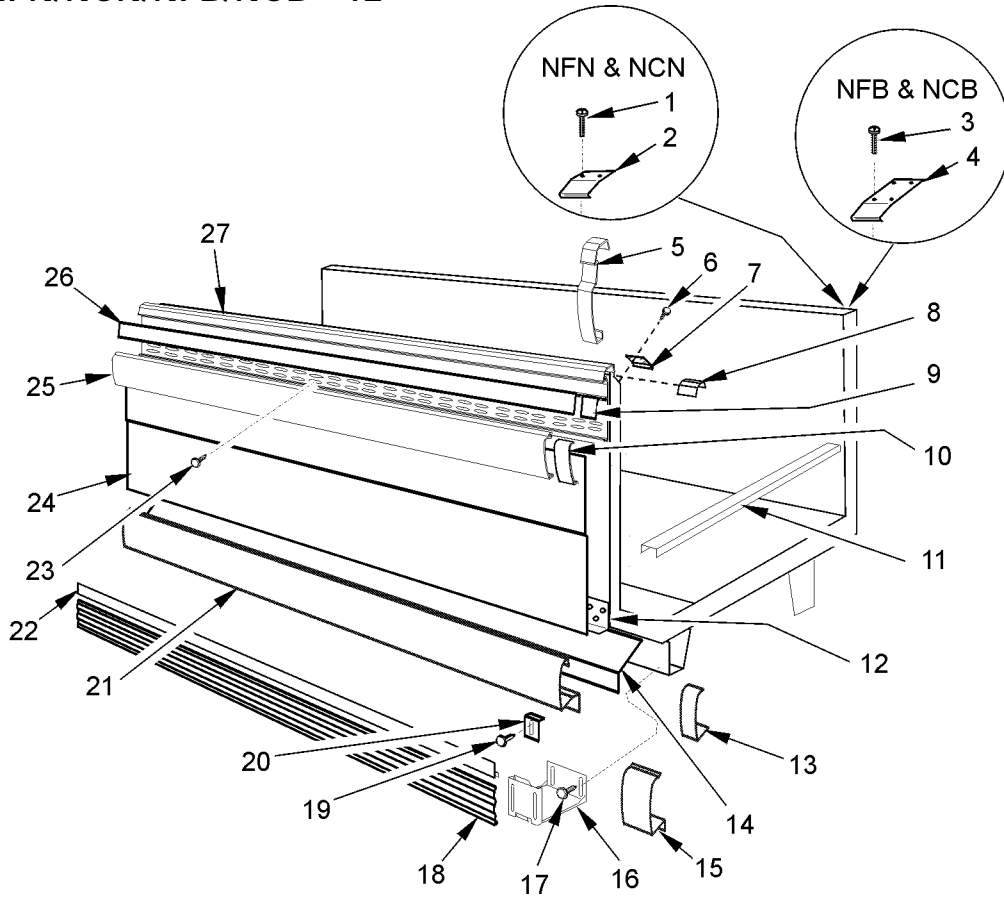
Part Number
9042876
9042877
9042878
9042879





# CLADDING, COVERS AND TRIMS - (CONT'D)

## NFN/NCN/NFB/NCB - 12'



### 12' Merchandiser

Item	Part No.	Qty.	Description	Item	Part No.	Qty.	Description
1	5205439	4	Screw (NFN/NCN)	15	5183536	16	Screw
2	5207489	1	Top RR Riser Joint Trim (NFN/NCN)	16	9025833	8	Shoulder Screw
3	5205439	4	Screw (NFB/NCB)	17	9042341	4	Kickplate Support Assy. - Front
4	5617381	1	Top Center Joint Trim (NFB/NCB)		9042417	4	Kickplate Support Assy. - Rear
5	+	1	Bumper End Trim	18	+	2	Kickplate
6	5205439	4	Screw		9041790	2	Kickplate Backer
7	5207491	1	Retrun Air Duct Joint Trim	19	5183536	8	Screw
8	9025316	2	Handrail Backer Ptd.	20	9023841	4	Raceway Cover Retainer
9	9040223	2	Color Band Backer, Ptd.	21	+	1	Raceway Cover
10	+	1	Bumper Backer	22	+	1	Kickplate Extension [OPTL]
11	5127503	1	Horizontal Joint Trim	23	5183536	36	Screw
12	9300197	8	Cladding Retainer	24	9025638	1	Front Cladding, Ptd.
	5183536	16	Screw		5183536	7	Screw
13	+	1	Raceway Cover Backer	25	+	1	Bumper
14	9300219	1	Raceway (NFN/NCN)	26	9023800	2	Color Band, Ptd
	9300219	2	Raceway (NFB/NCB)	27	+	1	Bumper Retainer/Handrail
	5183536	18	Screw				
	9041321	8	Raceway Support - Front				
	9041325	8	Raceway CVR Support - Rear				

+ See pages C5 and C6 for parts breakdown per color.



# CLADDING, COVERS AND TRIMS - (CONT'D)

NFN/NCN/NFB/NCB - 12'

## Bumper Retainer [Item 27] Without Partition

(144.062"):

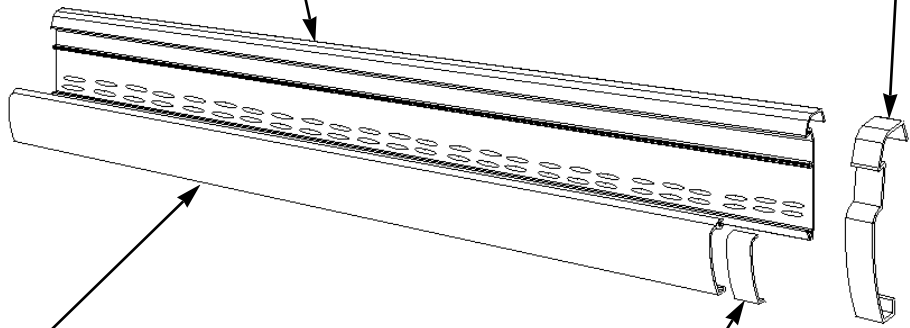
Part Number	Color
9025493	White
9025506	Bone White
9025519	Misty Gray
9025532	Pearl
9025545	Oatmeal
9025559	Soft Sand
9025572	Chromium
9025585	Cool Gray
9025598	Oyster
9025611	Black
9028935	Steel Gray
9031797	Chocolate
9031824	Mocha
9031878	Stone

With Partition  
(145.062"):

Part Number
9026969
9026970
9026971
9026972
9026973
9026974
9026975
9026976
9026977
9026978
9028942
9031799
9031826
9031880

## Bumper End Trim [Item 5]

Part Number	Color
9027220	White
9027221	Bone White
9027222	Misty Gray
9027223	Pearl
9027224	Oatmeal
9027225	Soft Sand
9027226	Chromium
9027227	Cool Gray
9027228	Oyster
9027229	Black
9028882	Steel Gray
9034333	Chocolate
9034334	Mocha
9034335	Stone
9023195	RH Bmpr Pusher Brkt
9028082	LH Bmpr Pusher Brkt
5053985	Screw (2 per brkt)



## Bumper [Item 25]

Without Partition  
(144.062"):

Part Number	Color
9025039	White
9025269	Bone White
9025290	Misty Gray
9025311	Pearl
9025332	Oatmeal
9025353	Soft Sand
9025374	Chromium
9025395	Cool Gray
9025416	Oyster
9025437	Black
9028912	Steel Gray
9031695	Chocolate
9031732	Mocha
9031769	Stone

With Partition  
(145.062"):

Part Number
9027199
9027200
9027201
9027202
9027203
9027204
9027205
9027206
9027207
9027208
9028914
9031697
9031734
9031771

## Bumper Backer [Item 10]

Part Number	Color
9025023	White
9025028	Bone White
9025035	Misty Gray
9025038	Pearl
9025041	Oatmeal
9025253	Soft Sand
9025258	Chromium
9025265	Cool Gray
9025268	Oyster
9025271	Black
9028883	Steel Gray
9031884	Chocolate
9031885	Mocha
9031886	Stone



# CLADDING, COVERS AND TRIMS - (CONT'D)

NFN/NCN/NFB/NCB - 12'

**Raceway Cover [Item 21]  
Without Partition (144.062"):**

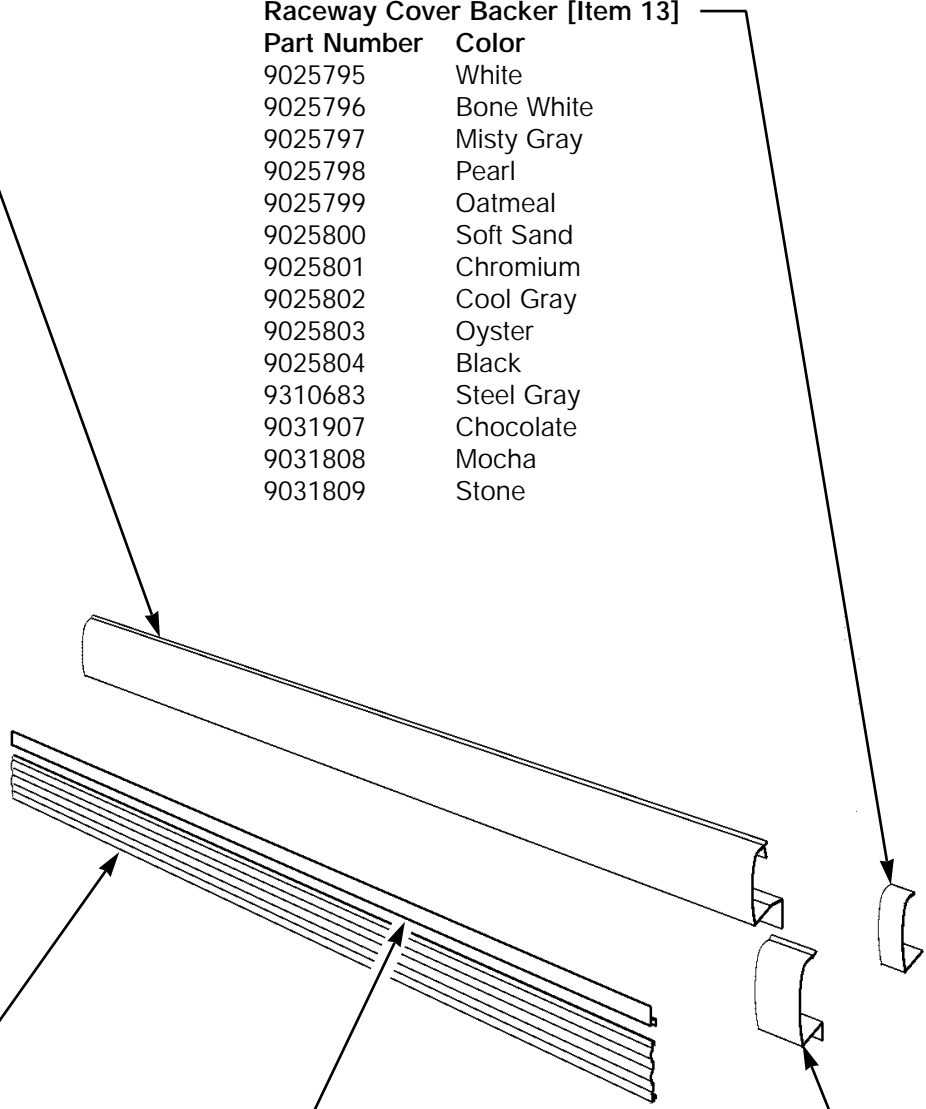
Part Number	Color
9025668	White
9025677	Bone White
9025688	Misty Gray
9025699	Pearl
9025710	Oatmeal
9025721	Soft Sand
9025732	Chromium
9025743	Cool Gray
9025754	Oyster
9025765	Black
9310666	Steel Gray
9031577	Chocolate
9031604	Mocha
9031658	Stone

**With Partition (145.062"):**

Part Number	Color
9027098	White
9027099	Bone White
9027100	Misty Gray
9027101	Pearl
9027102	Oatmeal
9027103	Soft Sand
9027104	Chromium
9027105	Cool Gray
9027106	Oyster
9027107	Black
9310667	Steel Gray
9031578	Chocolate
9031605	Mocha
9031659	Stone

**Raceway Cover Backer [Item 13]**

Part Number	Color
9025795	White
9025796	Bone White
9025797	Misty Gray
9025798	Pearl
9025799	Oatmeal
9025800	Soft Sand
9025801	Chromium
9025802	Cool Gray
9025803	Oyster
9025804	Black
9310683	Steel Gray
9031907	Chocolate
9031808	Mocha
9031809	Stone



**Kickplate [Item 18]**

**Without Partition  
(144.062"):**

Part Number	Color
9041730	Cool Gray
9041731	Black
9041732	Pearl
9041734	Steel Gray

**With Partition  
(145.062"):**

Part Number
9041740
9041741
9041742
9041744

**Optional Kickplate Extension [Item 22]**

**Without Partition  
(144.062"):**

Part Number	Color
9042896	Cool Gray
9042897	Black
9042898	Pearl
9042899	Steel Gray

**With Partition  
(145.062"):**

Part Number
9042904
9042905
9042906
9042907

**Raceway Cover End Trim [Item 15]**

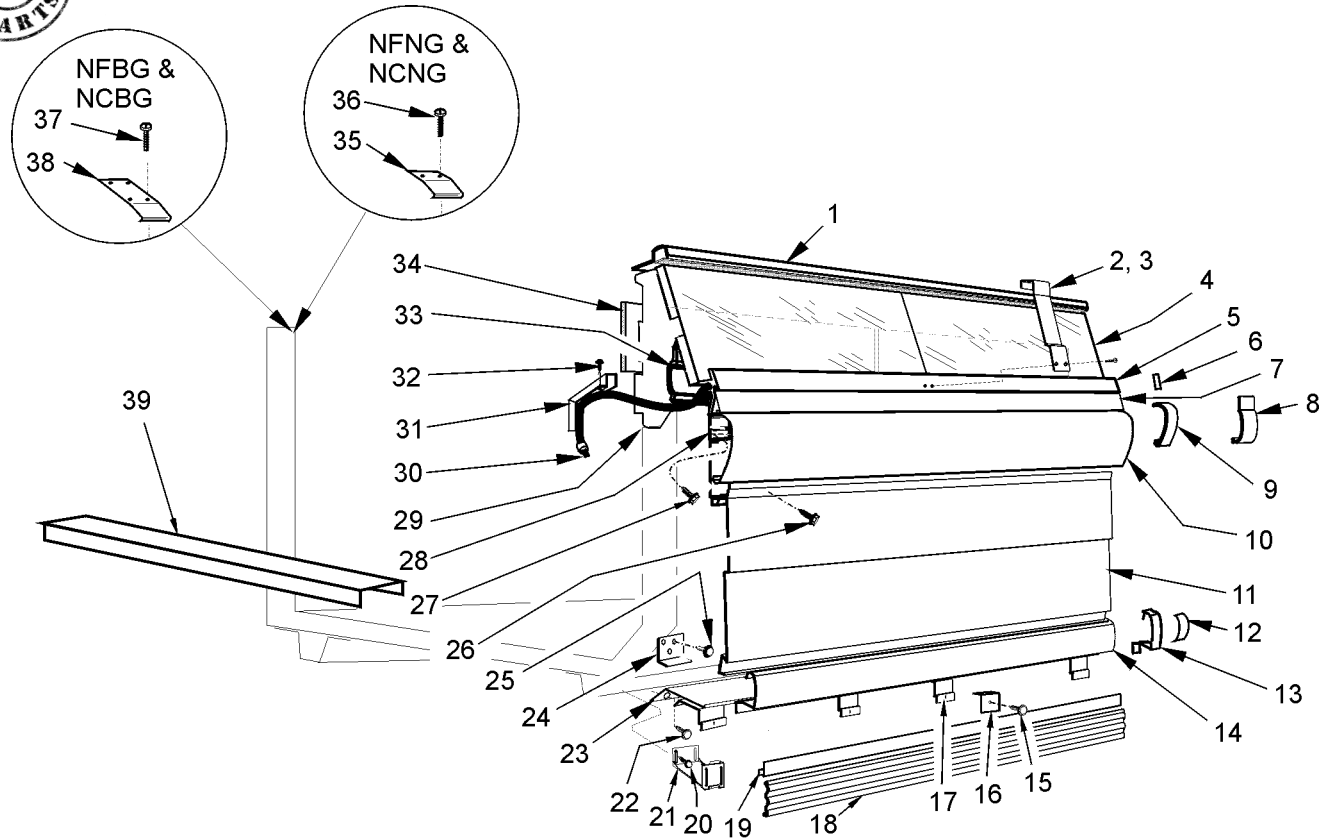
Part Number	Color
9027231	White
9027232	Bone White
9027233	Misty Gray
9027234	Pearl
9027235	Oatmeal
9027236	Soft Sand
9027237	Chromium
9027238	Cool Gray
9027239	Oyster
9027240	Black
9310681	Steel Gray
9034336	Chocolate
9034337	Mocha
9034338	Stone





# CLADDING, COVERS AND TRIMS - (CONT'D)

## NFNG/NCNG/NFBG/NCBG - 8'



### 8' Merchandiser

Item	Part No.	Qty.	Description	Item	Part No.	Qty.	Description
1	9026086	1	Glass Front Rail	22	5183536	12	Screw
	5228291	A/R	Butyl Tape	23	9300218	1	Raceway
2	9301808	1	Glass Joint Trim	24	9300197	8	Front Cladding Retainer
3	5048626	2	Screw	25	5183536	36	Screw
4	5225336	2	Thermo Glass	26	5183536	7	Screw
5	9300586	1	Front Retainer Assy.	27	9025833	24	Shoulder Screw
6	9025982	2	Color Band Backer, Ptd.	28	9025058	1	Bumper Retainer
7	9023798	1	Color Band, Ptd. (NFNG/NCNG)	29	9023334	1	LH End Glass Support, Adj.
	9020971	1	Color Band, Ptd. (NFBG/NCBG)		9023335	1	RH End Glass Support, Adj.
8	+	1	Bumper End Trim		9029077	1	LH CTR Bottom Glass Support
9	+	1	Bumper Backer		9029075	1	RH CTR Bottom Glass Support
10	+	1	Bumper	30	5218331	1	Heater Wire
11	9025637	1	Front Cladding, Ptd. (NFNG/NCNG)		5057259	A/R	Aluminum Tape
	9301351	1	Front Cladding, Ptd. (NFBG/NCBG)	31	5228003	1	LH Wire Cover
12	+	1	Raceway Cover Backer		5228002	1	RH Wire Cover
13	+	1	Raceway Cover End Trim	32	5203018	8	Screw
14	+	1	Raceway Cover	33	5201014	2	Rear Glass Retainer
15	5183536	8	Screw	34	5225336	2	Barrier Glass
16	9023841	4	Raceway Cover Retainer	35	5207489	1	Top Rear Joint Trim (NFNG/NCNG)
17	9041321	6	Raceway Support - Front		5205439	4	Screw (NFNG/NCNG)
	9041325	6	Raceway CVR Support - Rear		5205439	4	Screw (NFBG/NCBG)
18	+	1	Kickplate	36	5205439	4	Screw (NFNG/NCNG)
	9041790	1	Kickplate Backer	37	5205439	4	Screw (NFBG/NCBG)
19	+	1	Kickplate Extension [OPTL]	38	5617381	1	Top Center Joint Trim (NFBG/NCBG)
20	9025833	6	Shoulder Screw	39	5127503	1	Horizontal JT Trim
21	9042341	3	Kickplate Support Assy. - Front				

+ See page C8 for parts breakdown per color.



# CLADDING, COVERS AND TRIMS - (CONT'D)

NFNG/NCNG/NFBG/NCBG - 8'

## Bumper [Item 10]

Without Partition

(96.062"):

Part Number	Color
9025036	White
9025266	Bone White
9025287	Misty Gray
9025308	Pearl
9025329	Oatmeal
9025350	Soft Sand
9025371	Chromium
9025392	Cool Gray
9025413	Oyster
9025434	Black
9028905	Steel Gray
9031687	Chocolate
9031724	Mocha
9031761	Stone

With Partition

(97.062"):

Part Number	Color
9027179	White
9027180	Bone White
9027181	Misty Gray
9027182	Pearl
9027183	Oatmeal
9027184	Soft Sand
9027185	Chromium
9027186	Cool Gray
9027187	Oyster
9027188	Black
9028907	Steel Gray
9031689	Chocolate
9031726	Mocha
9031763	Stone

## Bumper Backer [Item 9]

Part Number

Color

9025023	White
9025028	Bone White
9025035	Misty Gray
9025038	Pearl
9025041	Oatmeal
9025253	Soft Sand
9025258	Chromium
9025265	Cool Gray
9025268	Oyster
9025271	Black
9028883	Steel Gray
9031884	Chocolate
9031885	Mocha
9031886	Stone

## Bumper End Trim [Item 8]

Part Number

Color

9028010	White
9028011	Bone White
9028012	Misty Gray
9028013	Pearl
9028014	Oatmeal
9028015	Soft Sand
9028016	Chromium
9028017	Cool Gray
9028018	Oyster
9028019	Black
9028880	Steel Gray
9034330	Chocolate
9034331	Mocha
9034332	Stone
9023195	RH Bumper Pusher Brkt
9028082	LH Bumper Pusher Brkt
5053985	Screw(2 per brkt)

## Raceway Cover [Item 14]

Without Partition

(96.062"):

Part Number	Color
9025666	White
9025675	Bone White
9025686	Misty Gray
9025697	Pearl
9025708	Oatmeal
9025719	Soft Sand
9025730	Chromium
9025741	Cool Gray
9025752	Oyster
9025763	Black
9310660	Steel Gray
9031571	Chocolate
9031598	Mocha
9031652	Stone

With Partition

(97.062"):

Part Number	Color
9027077	White
9027078	Bone White
9027079	Misty Gray
9027080	Pearl
9027081	Oatmeal
9027052	Soft Sand
9027083	Chromium
9027084	Cool Gray
9027085	Oyster
9027086	Black
9310661	Steel Gray
9031572	Chocolate
9031599	Mocha
9031653	Stone

## Raceway Cover End Trim [Item 13]

Part Number

Color

9027231	White
9027232	Bone White
9027233	Misty Gray
9027234	Pearl
9027235	Oatmeal
9027236	Soft Sand
9027237	Chromium
9027238	Cool Gray
9027239	Oyster
9027240	Black
9310681	Steel Gray
9034336	Chocolate
9034337	Mocha
9034338	Stone

## Raceway Cover Backer [Item 12]

Part Number

Color

9025795	White
9025796	Bone White
9025797	Misty Gray
9025798	Pearl
9025799	Oatmeal
9025800	Soft Sand
9025801	Chromium
9025802	Cool Gray
9025803	Oyster
9025804	Black
9310683	Steel Gray
9031907	Chocolate
9031908	Mocha
9031909	Stone

## Kickplate [Item 18]

Without Partition

(96.062"):

Part Number	Color
9041690	Cool Gray
9041691	Black
9041692	Pearl
9041694	Steel Gray

With Partition

(97.062"):

Part Number	Color
9041700	Cool Gray
9041701	Black
9041702	Pearl
9041704	Steel Gray

## Optional Kickplate Extension [Item 19]

Without Partition

(96.062"):

Part Number	Color
9042868	Cool Gray
9042869	Black
9042869	Pearl
9042870	Steel Gray

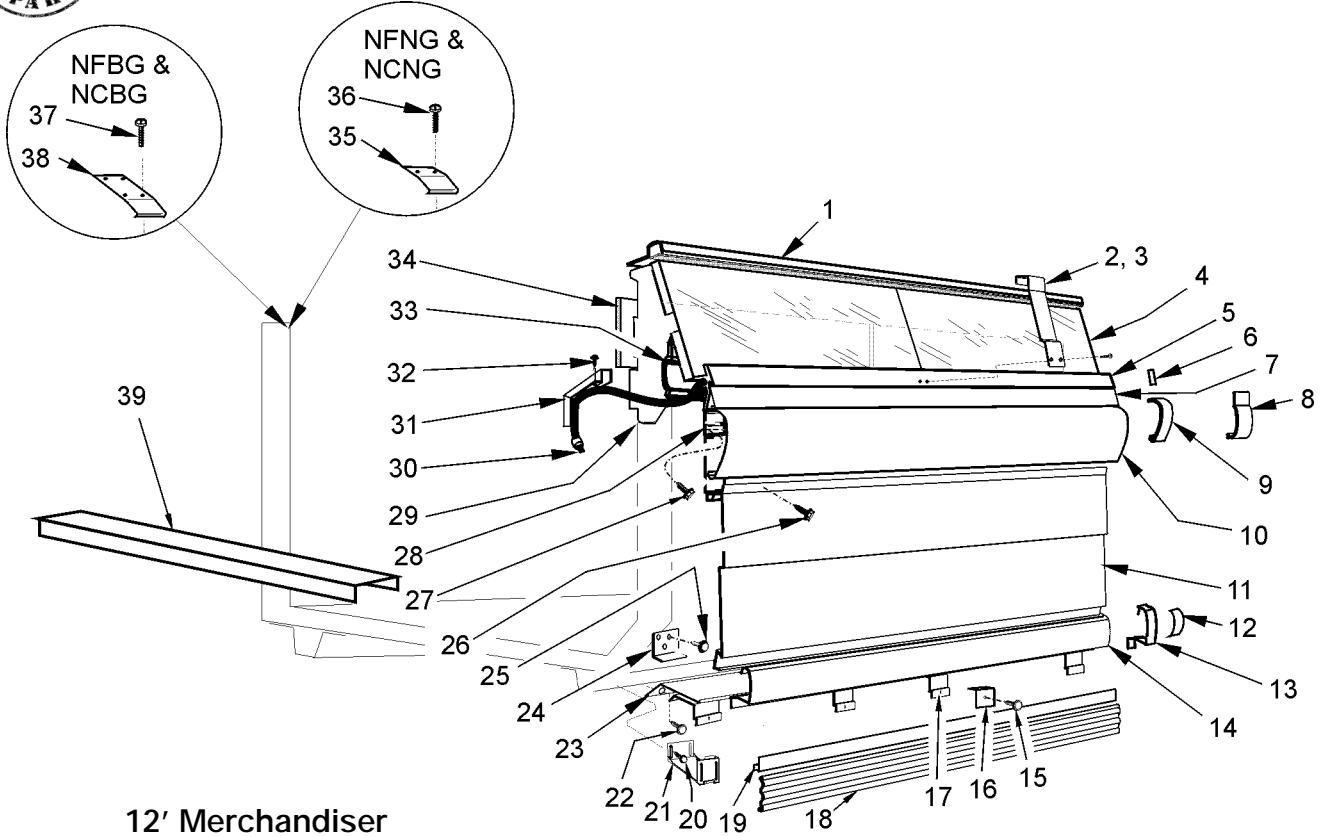
With Partition

(97.062"):

Part Number	Color
9042876	Cool Gray
9042877	Black
9042878	Pearl
9042879	Steel Gray



CLADDING, COVERS AND TRIMS - (CONT'D)  
NFNG/NCNG/NFBG/NCBG - 12'



12' Merchandiser

Item	Part No.	Qty.	Description	Item	Part No.	Qty.	Description
1	9026085	1	Glass Front Rail	22	9042417	4	Kickplate Support Assy. - Rear
	5228291	A/R	Butyl Tape	23	5183536	10	Screw
2	9301808	1	Glass Joint Trim	24	+	1	Raceway Cover
3	5048626	2	Screw	25	9300197	8	Front Cladding Retainer
4	5957497	2	Thermo Glass	26	5183536	24	Screw
5	9300587	1	Front Retainer Assy.	27	5183536	9	Screw
6	9025982	2	Color Band Backer, Ptd.	28	9025833	36	Shoulder Screw
7	9020982	1	Color Band, Ptd. (NFNG/NCNG)	29	9025061	1	Bumper Retainer
	9020972	1	Color Band, Ptd. (NFBG/NCBG)	30	9023334	1	LH End Glass Support, Adj.
8	+	1	Bumper End Trim		9023335	1	RH End Glass Support, Adj.
9	+	1	Bumper Backer		9029077	1	LH CTR Bottom Glass Support
10	+	1	Bumper		9029075	1	RH CTR Bottom Glass Support
11	9025638	1	Front Cladding, Ptd. (NFNG/NCNG)	31	5218331	1	Heater Wire
	9301352	1	Front Cladding, Ptd. (NFBG/NCBG)		5057259	A/R	Aluminum Tape
12	+	1	Raceway Cover Backer	32	5228003	1	LH Wire Cover
13	+	1	Raceway Cover End Trim		5228002	1	RH Wire Cover
14	+	1	Raceway Cover	33	5203018	8	Screw
15	5183536	32	Screw	34	5201015	2	Rear Glass Retainer
16	9023841	12	Raceway Cover Retainer	35	5228220	2	Barrier Glass
17	9041321	8	Raceway Support - Front	36	5207489	1	Top Rear Joint Trim (NFNG/NCNG)
	9041325	8	Raceway CVR Support - Rear		5205439	4	Screw (NFNG/NCNG)
18	+	1	Kickplate		5205439	4	Screw (NFBG/NCBG)
	9041790	1	Kickplate Backer	37	5617381	1	Top Center Joint Trim (NFBG/NCBG)
19	+	1	Kickplate Extension [OPTL]	38	5127503	1	Horizontal JT Trim
20	9025833	16	Shoulder Screw				
21	902341	4	Kickplate Support Assy. - Front				

+ See page C10 for parts breakdown per color.



# CLADDING, COVERS AND TRIMS - (CONT'D)

NFNG/NCNG/NFBG/NCBG - 12'

## Bumper [Item 10]

Without Partition

(144.062"):

Part Number	Color
9025039	White
9025269	Bone White
9025290	Misty Gray
9025311	Pearl
9025332	Oatmeal
9025353	Soft Sand
9025374	Chromium
9025395	Cool Gray
9025416	Oyster
9025437	Black
9028912	Steel Gray
9031695	Chocolate
9031732	Mocha
9031769	Stone

With Partition

(145.062"):

Part Number	Color
9027199	White
9027200	Bone White
9027201	Misty Gray
9027202	Pearl
9027203	Oatmeal
9027204	Soft Sand
9027205	Chromium
9027206	Cool Gray
9027207	Oyster
9027208	Black
9028914	Steel Gray
9031697	Chocolate
9031734	Mocha
9031771	Stone

## Bumper Backer [Item 9]

Part Number	Color
9025023	White
9025028	Bone White
9025035	Misty Gray
9025038	Pearl
9025041	Oatmeal
9025253	Soft Sand
9025258	Chromium
9025265	Cool Gray
9025268	Oyster
9025271	Black
9028883	Steel Gray
9031884	Chocolate
9031885	Mocha
9031886	Stone

## Bumper End Trim [Item 8]

Part Number	Color
9028010	White
9028011	Bone White
9028012	Misty Gray
9028013	Pearl
9028014	Oatmeal
9028015	Soft Sand
9028016	Chromium
9028017	Cool Gray
9028018	Oyster
9028019	Black
9028880	Steel Gray
9034330	Chocolate
9034331	Mocha
9034332	Stone
9023195	RH Bumper Pusher Brkt
9028082	LH Bumper Pusher Brkt
5053985	Screw(2 per brkt)

## Raceway Cover [Item 14]

Without Partition

(144.062"):

Part Number	Color
9025668	White
9025677	Bone White
9025688	Misty Gray
9025699	Pearl
9025710	Oatmeal
9025721	Soft Sand
9025732	Chromium
9025743	Cool Gray
9025754	Oyster
9025765	Black
9310666	Steel Gray
9031577	Chocolate
9031604	Mocha
9031658	Stone

With Partition

(145.062"):

Part Number	Color
9027098	White
9027099	Bone White
9027100	Misty Gray
9027101	Pearl
9027102	Oatmeal
9027103	Soft Sand
9027104	Chromium
9027105	Cool Gray
9207106	Oyster
9027107	Black
9310667	Steel Gray
9031578	Chocolate
9031605	Mocha
9031659	Stone

## Raceway Cover End Trim [Item 13]

Part Number	Color
9027231	White
9027232	Bone White
9027233	Misty Gray
9027234	Pearl
9027235	Oatmeal
9027236	Soft Sand
9027237	Chromium
9027238	Cool Gray
9027239	Oyster
9027240	Black
9310681	Steel Gray
9034336	Chocolate
9034337	Mocha
9034338	Stone

## Raceway Cover Backer [Item 12]

Part Number	Color
9025795	White
9025796	Bone White
9025797	Misty Gray
9025798	Pearl
9025799	Oatmeal
9025800	Soft Sand
9025801	Chromium
9025802	Cool Gray
9025803	Oyster
9025804	Black
9310683	Steel Gray
9031907	Chocolate
9031908	Mocha
9031909	Stone

## Kickplate [Item 18]

Without Partition

(144.062"):

Part Number	Color
9041730	Cool Gray
9041731	Black
9041732	Pearl
9041734	Steel Gray

With Partition

(145.062"):

Part Number	Color
9041740	White
9041741	Bone White
9041742	Misty Gray
9041744	Pearl

## Optional Kickplate Extension [Item 19]

Without Partition

(144.062"):

Part Number	Color
9042896	Cool Gray
9042897	Black
9042898	Pearl
9042899	Steel Gray

With Partition

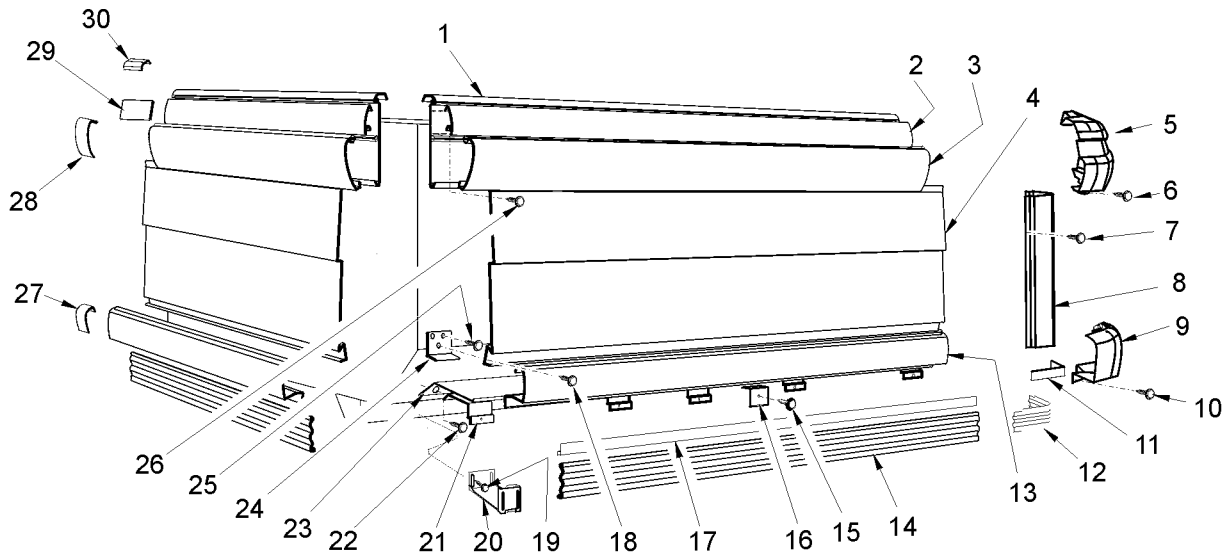
(145.062"):

Part Number	Color
9042904	White
9042906	Bone White
9042907	Misty Gray
9042908	Pearl



# CLADDING, COVERS AND TRIMS - (CONT'D)

NFE/NCE



## End Merchandiser

Item	Part No.	Qty.	Description	Item	Part No.	Qty.	Description
1	+	1	Bumper Retainer, Front	18	5183536	16	Screw
	+	2	Bumper Retainer, Side	19	9025833	12	Shoulder Screw
2	9023797	1	Color Band, Front	20	9042341	4	Kickplate Support Assy., Front
	9023789	2	Color Band, Side		9042414	2	Kickplate Support Assy., Side
3	+	1	Bumper, Front	21	9041324	4	Raceway Support, Front
	+	2	Bumper, Side		9041327	2	Raceway Support, Side
4	9025639	1	Cladding, Front	22	5183536	32	Screw
	9025640	2	Cladding, Side	23	9300166	1	Front Wiring Raceway
5	+	2	Upper Corner Trim Assy.		9300267	1	RH Side Wiring Raceway
6	5183536	2	Screw		9300268	1	LH Side Wiring Raceway
7	5183536	4	Screw		5183536	8	Screw
8	9026181	2	Cladding Corner Trim	24	9300197	6	Cladding Retainer (2 per side)
9	+	2	Raceway Corner Trim	25	5183536	18	Screw
	9300404	2	Raceway Corner Trim Retainer	26	5205833	9	Screw
10	5183536	4	Screw	27	+	A/R	Raceway Cover Backer
	5100973	4	Washer	28	+	A/R	Bumper Backer
11	9300456	2	Raceway Corner Trim Bracket	29	9040223	2	Color Band Backer, Ptd.
12	+	2	Kickplate Corner Trim	30	9025316	2	Bumper Rtnr./Handrail Backer
13	+	1	Raceway Cover, Front				
	+	2	Raceway Cover, Side				
14	+	1	Kickplate, Front				
	+	2	Kickplate, Side				
15	5183536	8	Screw				
16	9023841	4	Raceway Cover Retainer-FRT				
	9023841	2	Raceway Cover Retainer-Side				
17	+	2	Kickplate Extension [OPTL]				

+ See pages C12 and C13 for parts breakdown per color.



# CLADDING, COVERS AND TRIMS - (CONT'D)

NFE/NCE

## Front/Side Bumper Retainer [Item 1]

Front

(74.688"):

Part Number	Color
9025490	White
9025503	Bone White
9025516	Misty Gray
9025529	Pearl
9025542	Oatmeal
9025555	Soft Sand
9025569	Chromium
9025582	Cool Gray
9025595	Oyster
9025608	Black
9028934	Steel Gray
9031791	Chocolate
9031818	Mocha
9031872	Stone

Side

(36.844"):

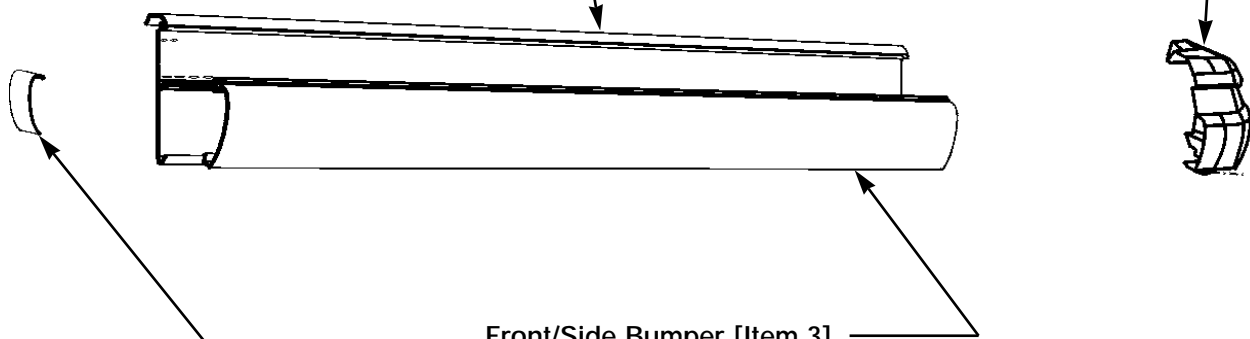
Part Number	Color
9025483	White
9025496	Bone White
9025509	Misty Gray
9025522	Pearl
9025535	Oatmeal
9025548	Soft Sand
9025562	Chromium
9025575	Cool Gray
9025588	Oyster
9025601	Black
9028921	Steel Gray
9031778	Chocolate
9031805	Mocha
9031859	Stone

## Upper Corner Trim [Item 5]

Part Number

Color

9025465	White
9026186	Bone White
9026187	Misty Gray
9026188	Pearl
9026189	Oatmeal
9026190	Soft Sand
9026191	Chromium
9026192	Cool Gray
9026193	Oyster
9026194	Black
9028881	Steel Gray
9031888	Chocolate
9031889	Mocha
9031890	Stone



## Bumper Backer [Item 28]

Part Number	Color
9025023	White
9025028	Bone White
9025035	Misty Gray
9025038	Pearl
9025041	Oatmeal
9025253	Soft Sand
9025258	Chromium
9025265	Cool Gray
9025268	Oyster
9025271	Black
9028883	Steel Gray
9031884	Chocolate
9031885	Mocha
9031886	Stone

## Front/Side Bumper [Item 3]

Front

(74.188"):

Part Number	Color
9025033	White
9025263	Bone White
9025284	Misty Gray
9025305	Pearl
9025326	Oatmeal
9025347	Soft Sand
9025368	Chromium
9025389	Cool Gray
9025410	Oyster
9025431	Black
9028902	Steel Gray
9031683	Chocolate
9031720	Mocha
9031757	Stone

Side

(36.688"):

Part Number	Color
9025022	White
9025252	Bone White
9025273	Misty Gray
9025294	Pearl
9025315	Oatmeal
9025336	Soft Sand
9025357	Chromium
9025378	Cool Gray
9025399	Oyster
9025420	Black
9028886	Steel Gray
9031667	Chocolate
9031704	Mocha
9031741	Stone



# CLADDING, COVERS AND TRIMS - (CONT'D)

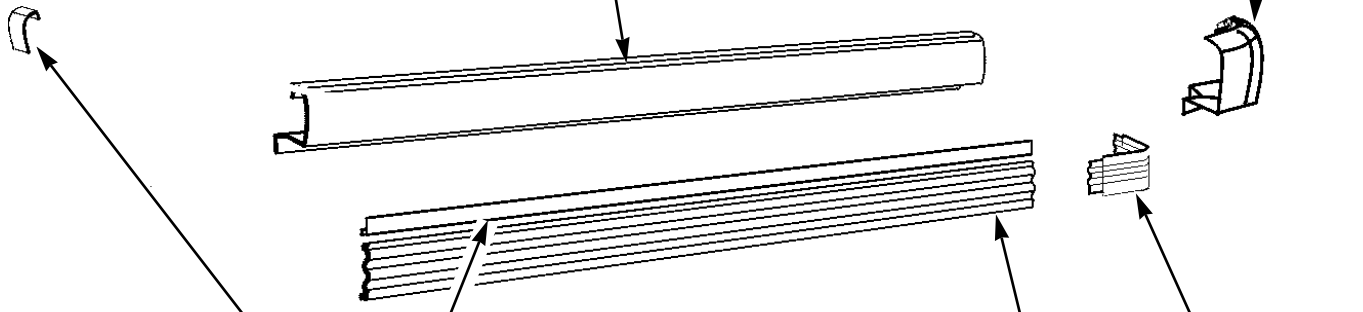
NFE/NCE

## Front/Side Raceway Cover [Item 13]

Front (74.188"):		Side (36.844"):	
Part Number	Color	Part Number	Color
9025664	White	9025659	
9025673	Bone White	9026083	
9025684	Misty Gray	9025679	
9025695	Pearl	9025690	
9025706	Oatmeal	9025701	
9025717	Soft Sand	9025712	
9025728	Chromium	9025723	
9025739	Cool Gray	9025734	
9025750	Oyster	9025745	
9025761	Black	9025756	
9310657	Steel Gray	9310647	
9031568	Chocolate	9031558	
9031595	Mocha	9031585	
9031649	Stone	9031639	

## Raceway Corner Trim [Item 9]

Part Number	Color
9041800	White
9041801	Bone White
9041802	Misty Gray
9041803	Pearl
9041804	Oatmeal
9041805	Soft Sand
9041806	Chromium
9041807	Cool Gray
9041808	Oyster
9041809	Black
9041811	Steel Gray
9041812	Chocolate
9041813	Mocha
9041814	Stone
9041815	Cherry Red
9041334	Supports



## Raceway Cover Backer [Item 27]

Part Number	Color
9025795	White
9025796	Bone White
9025797	Misty Gray
9025798	Pearl
9025799	Oatmeal
9025800	Soft Sand
9025801	Chromium
9025802	Cool Gray
9025803	Oyster
9025804	Black
9310683	Steel Gray
9031907	Chocolate
9031908	Mocha
9031909	Stone

## Front/Side Kickplate [Item 14]

Front (74.188"):		Side (36.688"):	
Part Number	Color	Part Number	Color
9041665	Cool Gray	9041585	
9041666	Black	9041586	
9041667	Pearl	9041587	
9041669	Steel Gray	9041589	

## Optional Front/Side Kickplate Extension [Item 17]

Front (74.188"):		Side (36.688"):	
Part Number	Color	Part Number	Color
9042849	Cool Gray	9042784	
9042850	Black	9042785	
9042851	Pearl	9042786	
9042852	Steel Gray	9042787	

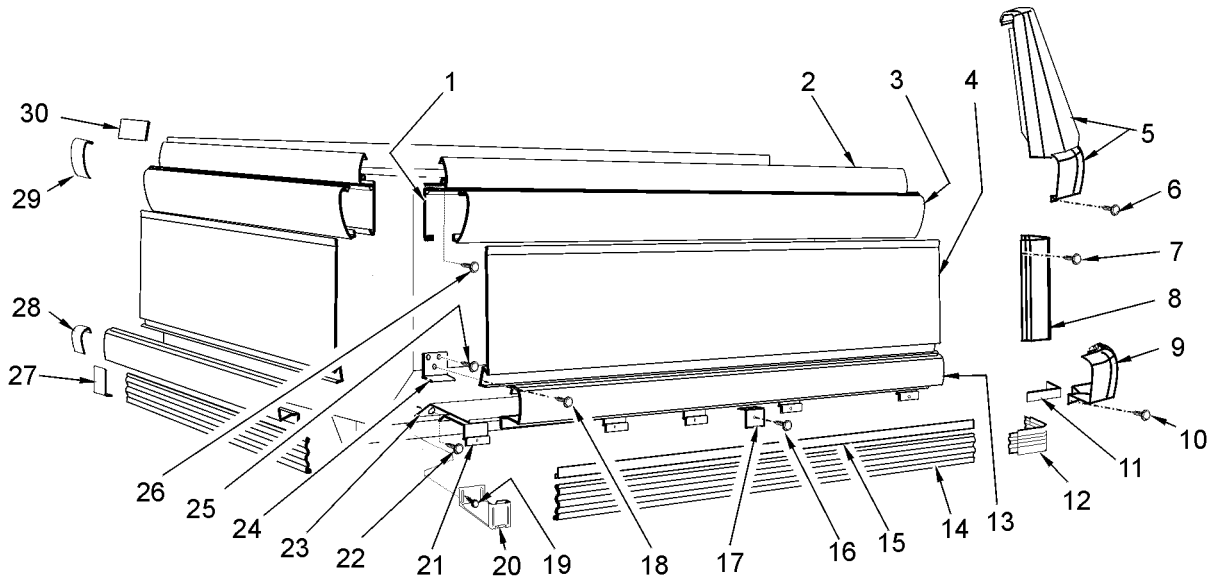
## Kickplate Corner Trim [Item 12]

Part Number	Color
9042157	Cool Gray
9042158	Black
9042159	Pearl
9042160	Steel Gray



# CLADDING, COVERS AND TRIMS - (CONT'D)

## NFGE/NCGE



### End Merchandiser

Item	Part No.	Qty.	Description	Item	Part No.	Qty.	Description
1	9025868	1	Bumper Retainer, Front	15	+	2	Kickplate Extension [OPTL]
	9025866	2	Bumper Retainer, Side	16	5183536	8	Screw
2	9020969	1	Color Band, Front	17	9023841	4	Raceway Cover Retainer-FRT
	9027329	2	Color Band, Side		9023841	2	Raceway Cover Retainer-Side
3	+	1	Bumper, Front	18	5183536	16	Screw
	+	2	Bumper, Side	19	9025833	12	Shoulder Screw
4	9025770	1	Cladding, Front	20	9042341	4	Kickplate Support Assy., Front
	9025768	2	Cladding, Side		9042414	2	Kickplate Support Assy., Side
5	+	2	Upper Corner Trim Assy.	21	9041324	4	Raceway Support, Front
6	5183536	4	Screw		9041327	2	Raceway Support, Side
7	5183536	8	Screw	22	5183536	32	Screw
8	9026182	2	Cladding Corner Trim	23	9300166	1	Front Wiring Raceway
9	+	2	Raceway Corner Trim		9300267	1	RH Side Wiring Raceway
	9300404	2	Raceway Corner Trim Retainer		9300268	1	LH Side Wiring Raceway
10	5183536	4	Screw		5183536	8	Screw
	5100973	4	Washer	24	9300197	6	Cladding Retainer (2 per side)
11	9300456	2	Raceway Corner Trim Bracket	25	5205833	9	Shoulder Screw
12	+	2	Kickplate Corner Trim	26	5205833	9	Screw
13	+	1	Raceway Cover, Front	27	9023444	1	Kickplate Joint Backer
	+	2	Raceway Cover, Side	28	+	A/R	Raceway Cover Backer
14	+	1	Kickplate, Front	29	+	A/R	Bumper Backer
	+	2	Kickplate, Side	30	9025982	2	Color Band Backer, Ptd.

+ See pages C15 and C16 for parts breakdown per color.





# CLADDING, COVERS AND TRIMS - (CONT'D)

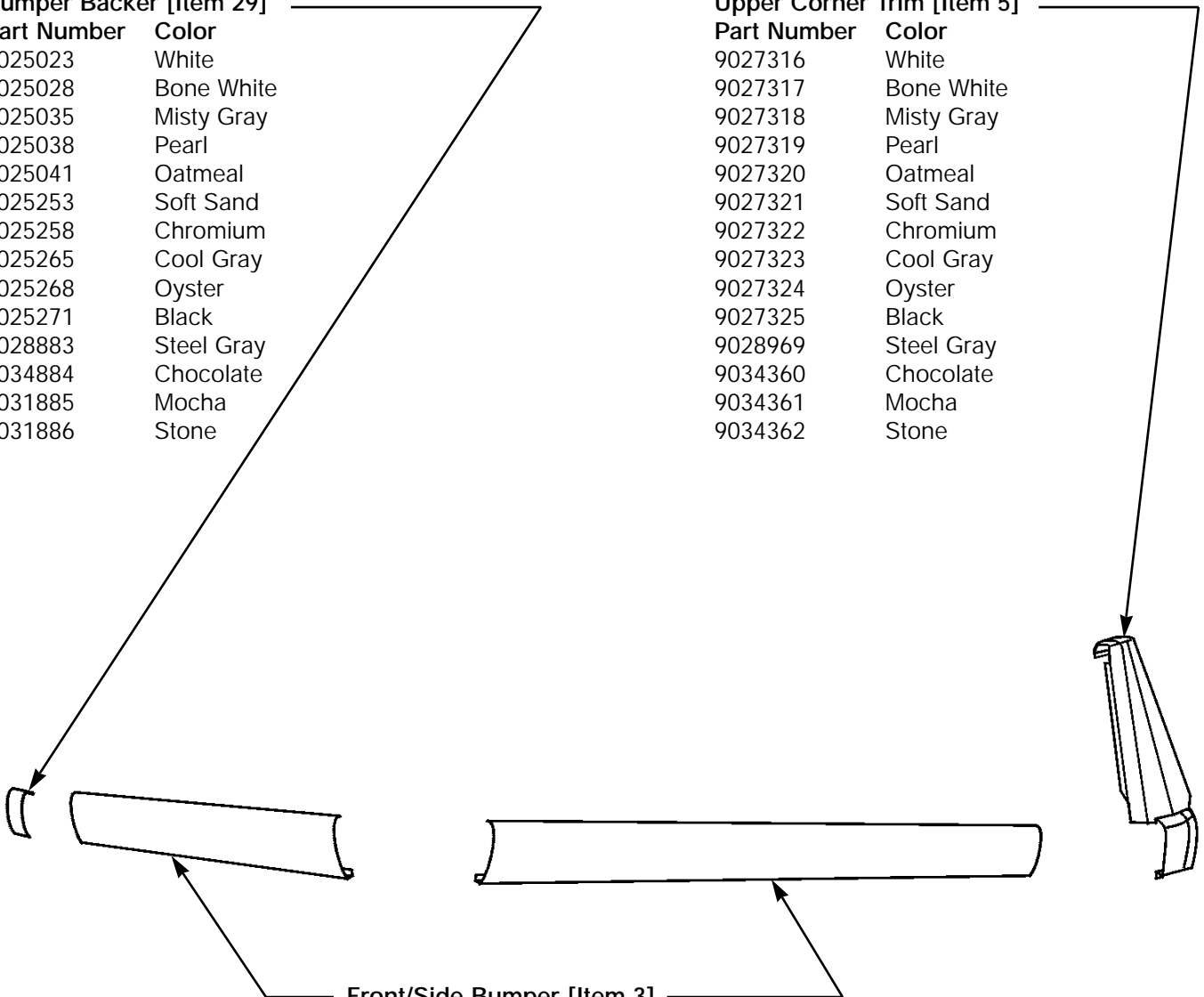
NFGE/NCGE

## Bumper Backer [Item 29]

Part Number	Color
9025023	White
9025028	Bone White
9025035	Misty Gray
9025038	Pearl
9025041	Oatmeal
9025253	Soft Sand
9025258	Chromium
9025265	Cool Gray
9025268	Oyster
9025271	Black
9028883	Steel Gray
9034884	Chocolate
9031885	Mocha
9031886	Stone

## Upper Corner Trim [Item 5]

Part Number	Color
9027316	White
9027317	Bone White
9027318	Misty Gray
9027319	Pearl
9027320	Oatmeal
9027321	Soft Sand
9027322	Chromium
9027323	Cool Gray
9027324	Oyster
9027325	Black
9028969	Steel Gray
9034360	Chocolate
9034361	Mocha
9034362	Stone



## Front/Side Bumper [Item 3]

Front (74.188"):		Side (36.844"):
Part Number	Color	Part Number
9025033	White	9025022
9025263	Bone White	9025252
9025284	Misty Gray	9025273
9025305	Pearl	9025294
9025326	Oatmeal	9025315
9025347	Soft Sand	9025336
9025368	Chromium	9025357
9025389	Cool Gray	9025378
9025410	Oyster	9025399
9025431	Black	9025420
9028902	Steel Gray	9028886
9031683	Chocolate	9031667
9031720	Mocha	9031704
9031757	Stone	9031741



# CLADDING, COVERS AND TRIMS - (CONT'D)

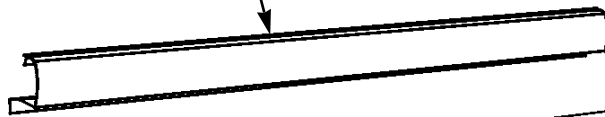
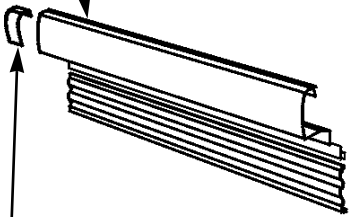
## NFGE/NCGE

### Front/Side Raceway Cover [Item 13]

Front (74.188"):		Side (36.844"):	
Part Number	Color	Part Number	Color
9025664	White	9025659	
9025673	Bone White	9026083	
9025684	Misty Gray	9025679	
9025695	Pearl	9025690	
9025706	Oatmeal	9025701	
9025717	Soft Sand	9025712	
9025728	Chromium	9025723	
9025739	Cool Gray	9025734	
9025750	Oyster	9025745	
9025761	Black	9025756	
9310657	Steel Gray	9310647	
9031568	Chocolate	9031558	
9031595	Mocha	9031585	
9031649	Stone	9031639	

### Raceway Corner Trim [Item 9]

Part Number	Color
9041800	White
9041801	Bone White
9041802	Misty Gray
9041803	Pearl
9041804	Oatmeal
9041805	Soft Sand
9041806	Chromium
9041807	Cool Gray
9041808	Oyster
9041809	Black
9041811	Steel Gray
9041812	Chocolate
9041813	Mocha
9041814	Stone
9041815	Cherry Red
9041333	Supports



### Raceway Cover Backer [Item 28]

Part Number	Color
9025795	White
9025796	Bone White
9025797	Misty Gray
9025798	Pearl
9025799	Oatmeal
9025800	Soft Sand
9025801	Chromium
9025802	Cool Gray
9025803	Oyster
9025804	Black
9310683	Steel Gray
9031907	Chocolate
9031908	Mocha
9031909	Stone

### Front/Side Kickplate [Item 14]

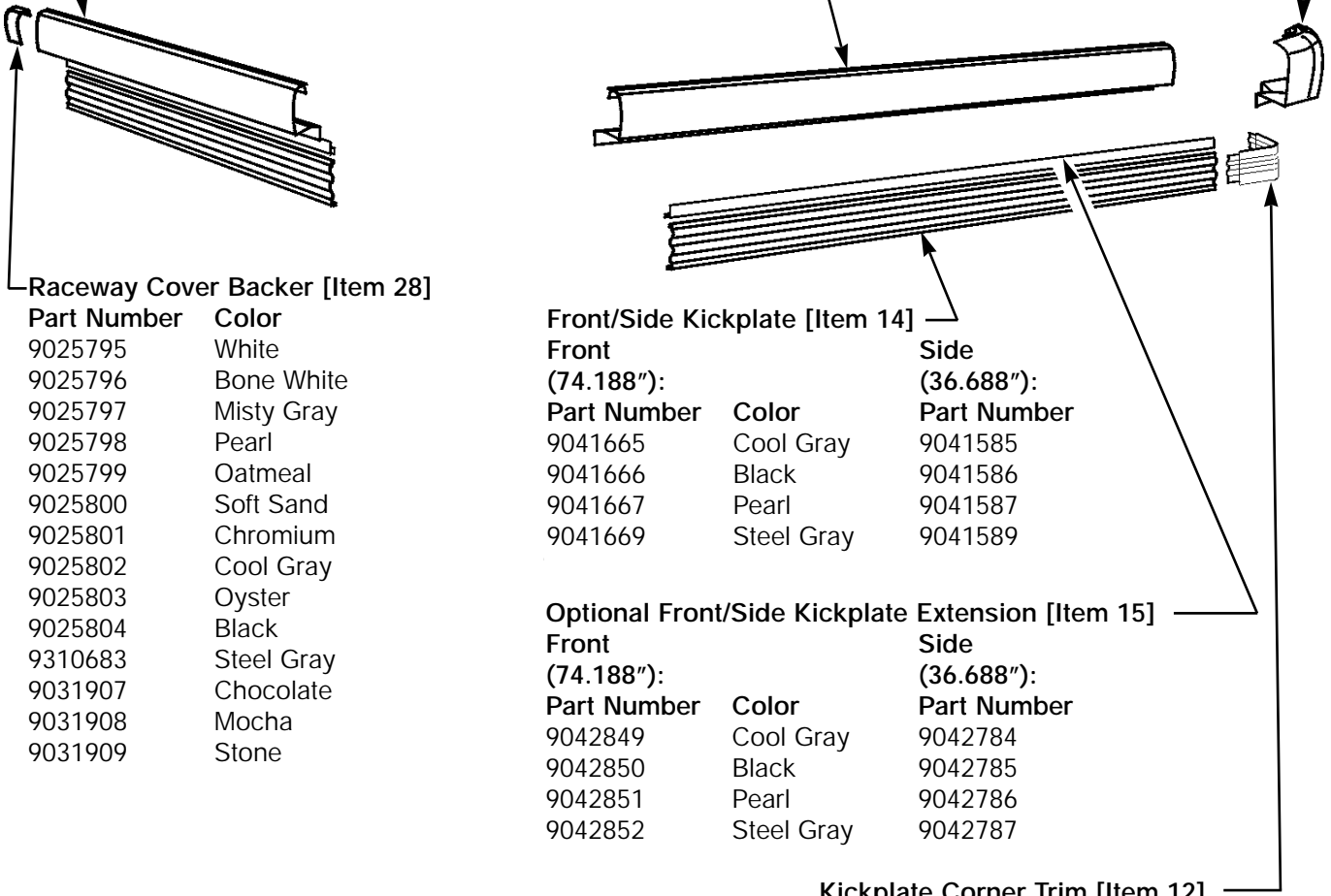
Front (74.188"):		Side (36.688"):	
Part Number	Color	Part Number	Color
9041665	Cool Gray	9041585	
9041666	Black	9041586	
9041667	Pearl	9041587	
9041669	Steel Gray	9041589	

### Optional Front/Side Kickplate Extension [Item 15]

Front (74.188"):		Side (36.688"):	
Part Number	Color	Part Number	Color
9042849	Cool Gray	9042784	
9042850	Black	9042785	
9042851	Pearl	9042786	
9042852	Steel Gray	9042787	

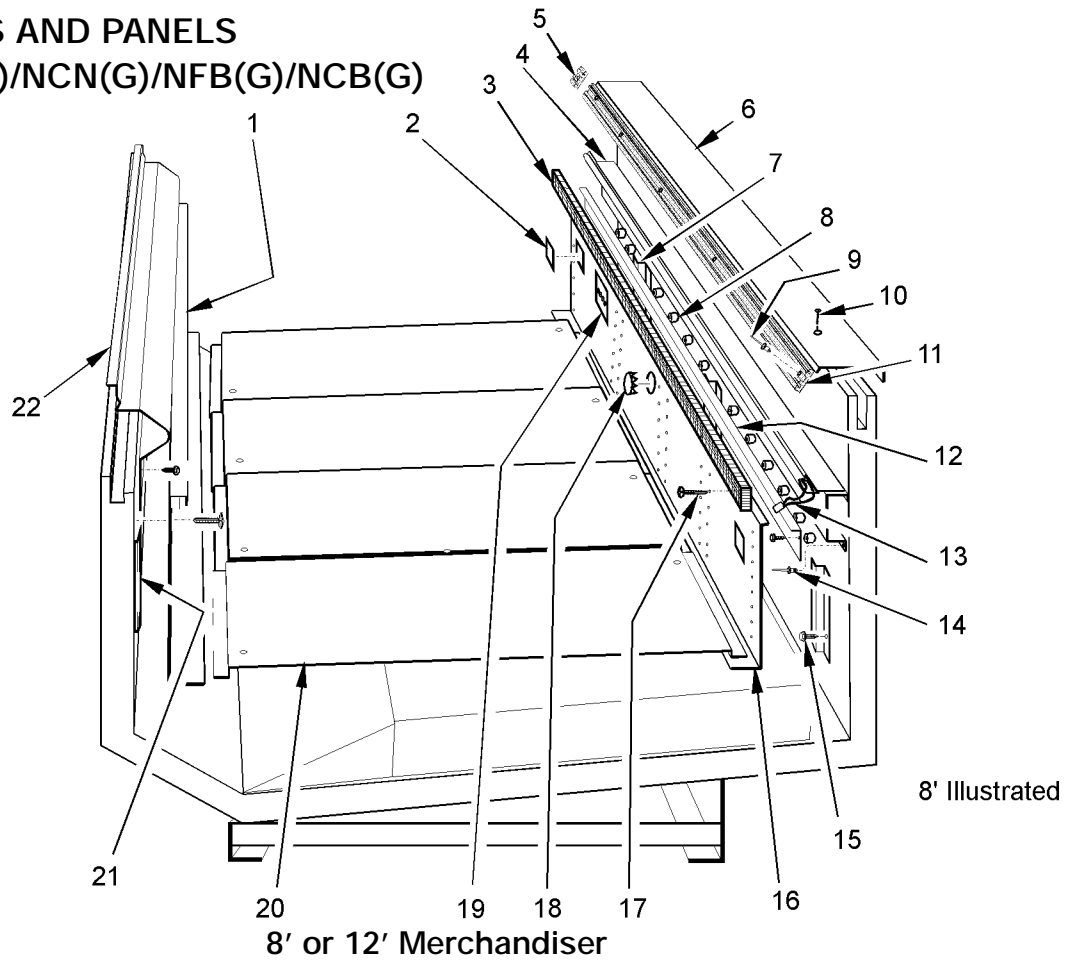
### Kickplate Corner Trim [Item 12]

Part Number	Color
9042157	Cool Gray
9042158	Black
9042159	Pearl
9042160	Steel Gray





**STRUCTURAL COMPONENTS  
DUCTS AND PANELS  
NFN(G)/NCN(G)/NFB(G)/NCB(G)**

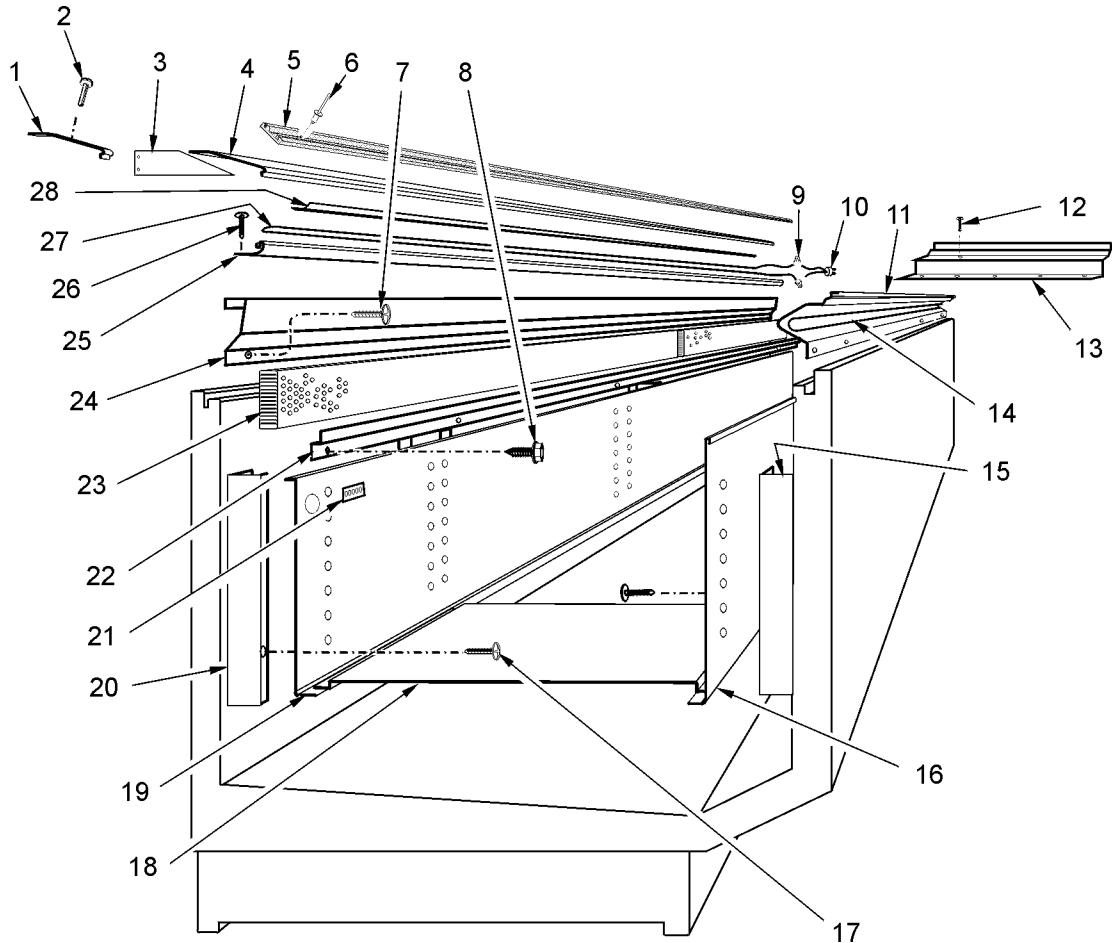


**8' or 12' Merchandiser**

Item	Part No.	Quantity		Description	Item	Part No.	Quantity		Description
		8'	12'				8'	12'	
1	5229721	1	-	Front Duct Panel (NFNG/NCNG/NFBG/NCBG)	11	5120107	1	-	Card Molding
	5229722	-	1	Front Duct Panel (NFNG/NCNG/NFBG/NCBG)	12	5053942	1	-	Card Molding
	5203214	1	-	Front Duct Panel (NFN/NCN/NFB/NCB)	13	5053943	-	1	Air Deflector
	5203215	-	1	Front Duct Panel (NFN/NCN/NFB/NCB)	13	5124818	1	-	Air Deflector
2	5646033	4	4	Inspection Cover	13	5124819	-	1	Heater Wire (NFN(G)/NCN(G)/ NFB(G)/LCB(G))
3	5201290	4	6	Rear Duct Grid	13	5124216	1	-	Heater Wire (NFN(G)/NCN(G)/ LFB(G)/LCB(G))
*	<b>5203216</b>	1	-	<b>Rear Duct Assembly</b>	13	5124217	-	1	HTR Wire Lo W(NFB(G)/NCB(G))
*	<b>5203217</b>	-	1	<b>Rear Duct Assembly</b>	14	5104702	5	7	HTR Wire Lo W(NFB(G)/NCB(G))
4	5182038	1	-	Grid Housing Assembly	15	5120943	14	23	Rivet
	5182039	-	1	Grid Housing Assembly	15	5120943	14	23	Screw
5	5122282	2	2	Card Molding End Trim	16	5203218	1	-	Rear Duct
	5105037	2	2	Rivet	16	5203219	-	1	Rear Duct
6	5182048	1	-	Rear Card Molding Support (NFB(G)/NCB(G))		5048626	5	7	Screw
	5182049	-	1	Rear Card Molding Support (NFB(G)/NCB(G))	17	5053985	8	12	Screw
7	5182037	2	3	Rear Z-Bar, End	18	5198993	3	4	Plug Button (NFNG/NCNG)
	5182021	1	2	Rear Z-Bar, Center	19	5605357	1	1	Plate Sensor (NFB(G)/NCB(G))
8	5127438	18	26	Spacer	*	<b>5181938</b>	1	-	<b>Tray to Case Assembly</b>
	5053985	18	26	Screw	*	<b>5181939</b>	-	1	<b>Tary to Case Assembly</b>
9	5104702	4	6	Rivet	20	5182031	4	6	Tray Assembly
10	5048626	4	6	Screw		5124331	8	12	Bushing, Heyco
					21	5227993	2	4	Front Z-Bar
						5120943	14	23	Screw
					22	5229244	2	3	Front Trim Guard
						5183536	4	6	Screw



STRUCTURAL COMPONENTS - (CONT'D)  
 DUCTS AND PANELS - NFE/NCE

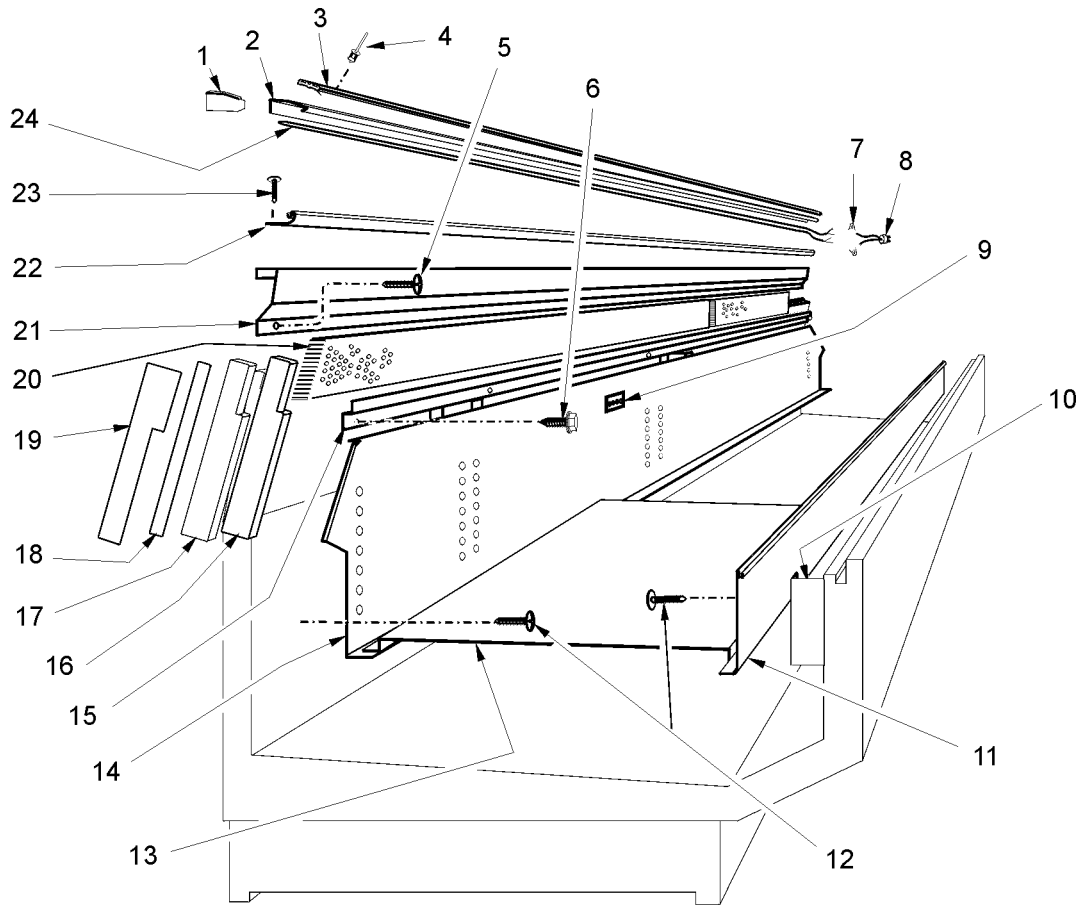


End Merchandiser

Item	Part No.	Qty.	Description	Item	Part No.	Qty.	Description
1	5216948	1	RH Riser Joint Trim	5123676	2	Front Duct Z-Bar	
	5216949	1	LH Riser Joint Trim	5183536	6	Screw	
2	5205439	2	Screw	16	5128456	1	Front Duct
3	5203449	1	RH Rear Riser End Close-off	17	5048626	12	Screw
	5203450	1	LH Rear Riser End Close-off	18	5182031	3	Tray Assembly
	5183536	2	Screw	19	5206176	1	Rear Duct
4	5235567	1	Rear Trim Guard		5048626	12	Screw
5	5236924	1	Card Molding	20	5235407	2	Rear Duct Close-off
6	5104702	6	Rivet		1309067	8	Screw
7	5120943	4	Screw		5963570	2	Rear Duct Z-Bar
8	5102643	4	Screw		5183536	6	Screw
9	5106239	2	Wire Connector	21	5605357	1	Sensor Plate
10	5129895	1	Male Plug w/Lead	*	<b>5235571</b>	<b>1</b>	<b>Grid &amp; Retainer Assembly</b>
*	<b>5235476</b>	<b>1</b>	<b>FRT Trim Guard Assy.</b>	22	5235569	1	Grid Retainer
11	5237590	1	Front Trim Guard		5214669	A/R	Silaprene Adhesive
12	5183536	10	Screw (5 per trim)	23	5208576	1	Discharge Grid, 48"
13	5203840	2	Top Inner Side Trim		5235570	1	Discharge Grid, 21 7/8"
14	5028893	1	Heater Wire 25 ohm/ft	24	5235572	1	Air Vane
	5129895	1	Male Plug w/ Lead	*	<b>5235568</b>	<b>1</b>	<b>Trim Rail &amp; Wire Assembly</b>
	5106239	2	Wire Connector	25	5145724	1	Lower Trim Rail
15	5236947	2	Front Duct Close-off	26	5102643	4	Screw
	1309067	8	Screw	27	5080970	1	Heater Wire 16 1/2 ohm/ft
				28	5057259	A/R	Aluminum Tape



STRUCTURAL COMPONENTS - (CONT'D)  
 DUCTS AND PANELS - NFGE/NCGE

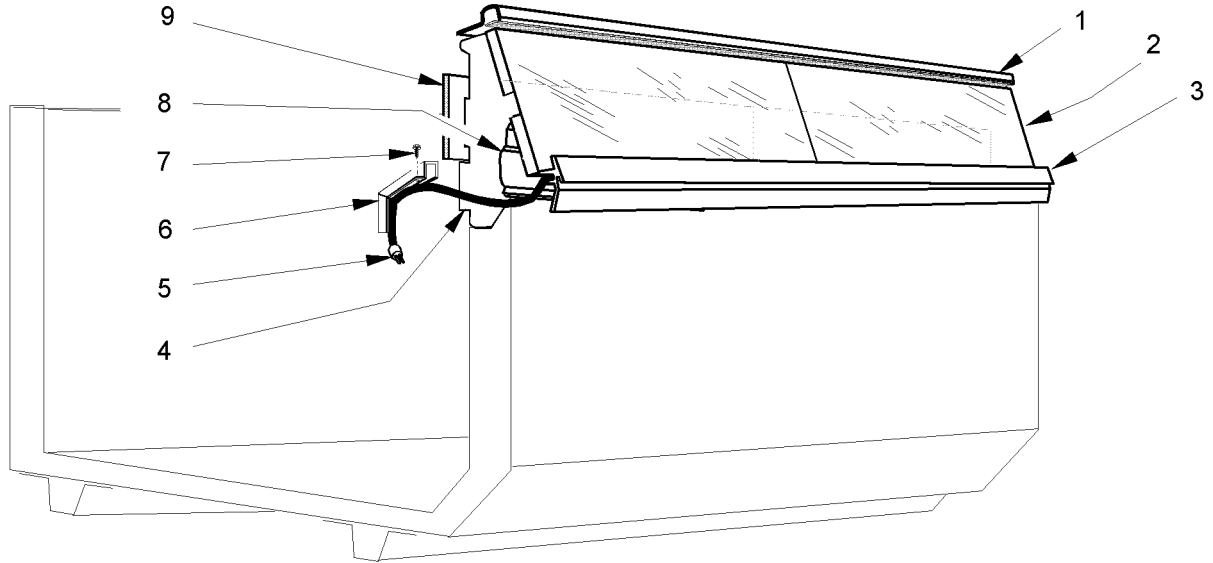


End Merchandiser

Item	Part No.	Qty.	Description	Item	Part No.	Qty.	Description
1	5231295	1	LH End Trim Close-off	*	<b>5235615</b>	<b>1</b>	<b>Grid &amp; Retainer Assembly</b>
	5231294	1	RH End Trim Close-off	15	5235614	1	Grid Retainer
2	5231292	1	Rear Trim Guard	16	5229595	2	Beadboard, 1"
	5048626	4	Screw		5229565	1	LH Close-off Insulation
3	5229553	1	Card Molding		5229564	1	LH Close-off Insulation
4	5104702	6	Rivet	17	5229596	2	Beadboard, 1/2"
5	5120943	4	Screw	18	5229552	2	Rear Retainer
6	5102643	4	Screw		5120943	6	Screw
7	5106239	2	Wire Connector	19	5229551	2	End Close-off
8	5129895	1	Male Plug w/Leads	20	5208576	2	Discharge Grid, 48"
9	5605357	1	Sensor Plate	21	5235609	1	Air Vane
10	5225255	4	Front Z-Bar	22	5235613	1	Lower Trim Rail Assembly
	5183536	8	Screw		5231260	1	Lower Trim Rail
11	5235611	1	Front Duct	23	5120943	4	Screw
12	5048626	18	Screw	24	5225474	1	Heater Wire
13	5182031	3	Tray Assembly		5057259	A/R	Aluminum Tape
14	5235610	1	Rear Duct				



STRUCTURAL COMPONENTS - (CONT'D)  
TOP GLASS - NFNG/NCNG/NFBG/NCBG

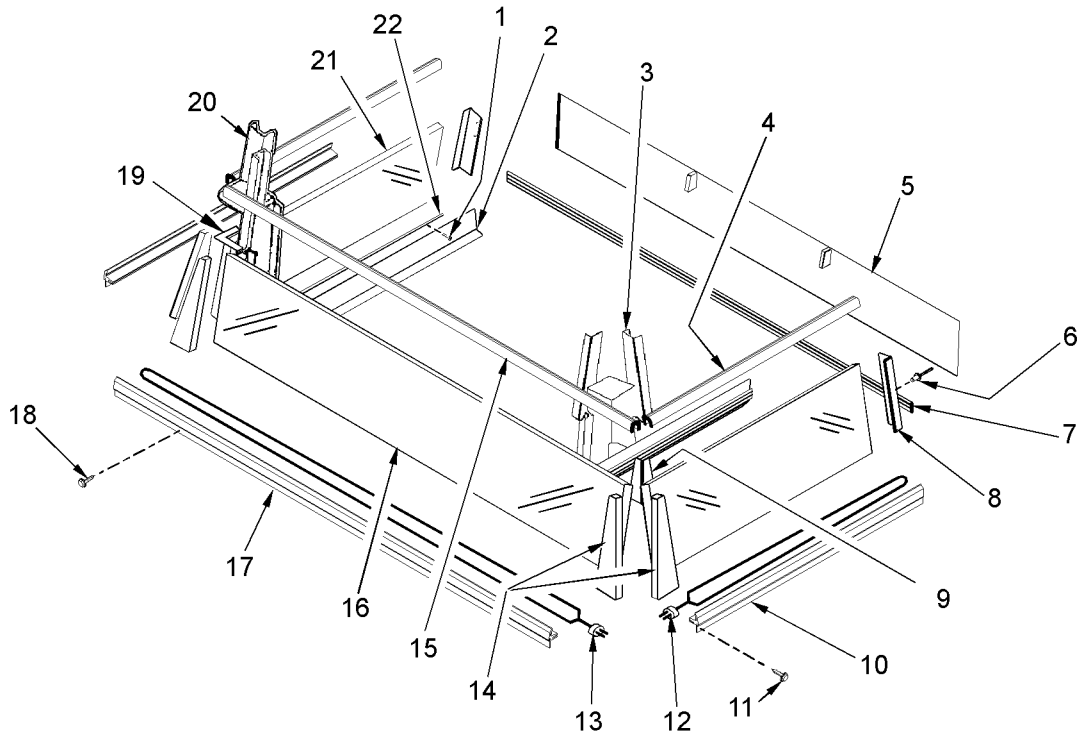


8' or 12' Merchandiser

Item	Part No.	Quantity		Description	Item	Part No.	Quantity		Description
		8'	12'				8'	12'	
1	9026086	1	-	Front Glass Rail	9029075	1	1	RH CTR Bottom Glass Support	
	9026085	-	1	Front Glass Rail					
2	5225336	2	-	Front Thermo Glass	5	5218331	1	-	Heater Wire 127 ohms/ft
	5957497	-	2	Front Thermo Glass		5218332	-	1	Heater Wire 96 ohms/ft
3	9300586	1	-	Front Glass Retainer Assy.		5057259	A/R	A/R	Aluminum Tape
	9300587	-	1	Front Glass Retainer Assy.	6	5228003	1	1	LH Wire Cover
4	9023334	1	1	LH End Glass Support, Adj.		5228002	1	1	RH Wire Cover
	9023335	1	1	RH End Glass Support, Adj.	7	5203018	8	8	Screw
	9029077	1	1	LH CTR Bottom Glass Support	8	5201014	2	-	Rear Glass Retainer
						5201015	-	2	Rear Glass Retainer
					9	5225336	2	-	Barrier Glass
						5228220	-	2	Barrier Glass



STRUCTURAL COMPONENTS - (CONT'D)  
TOP GLASS - NFGE/NCGE

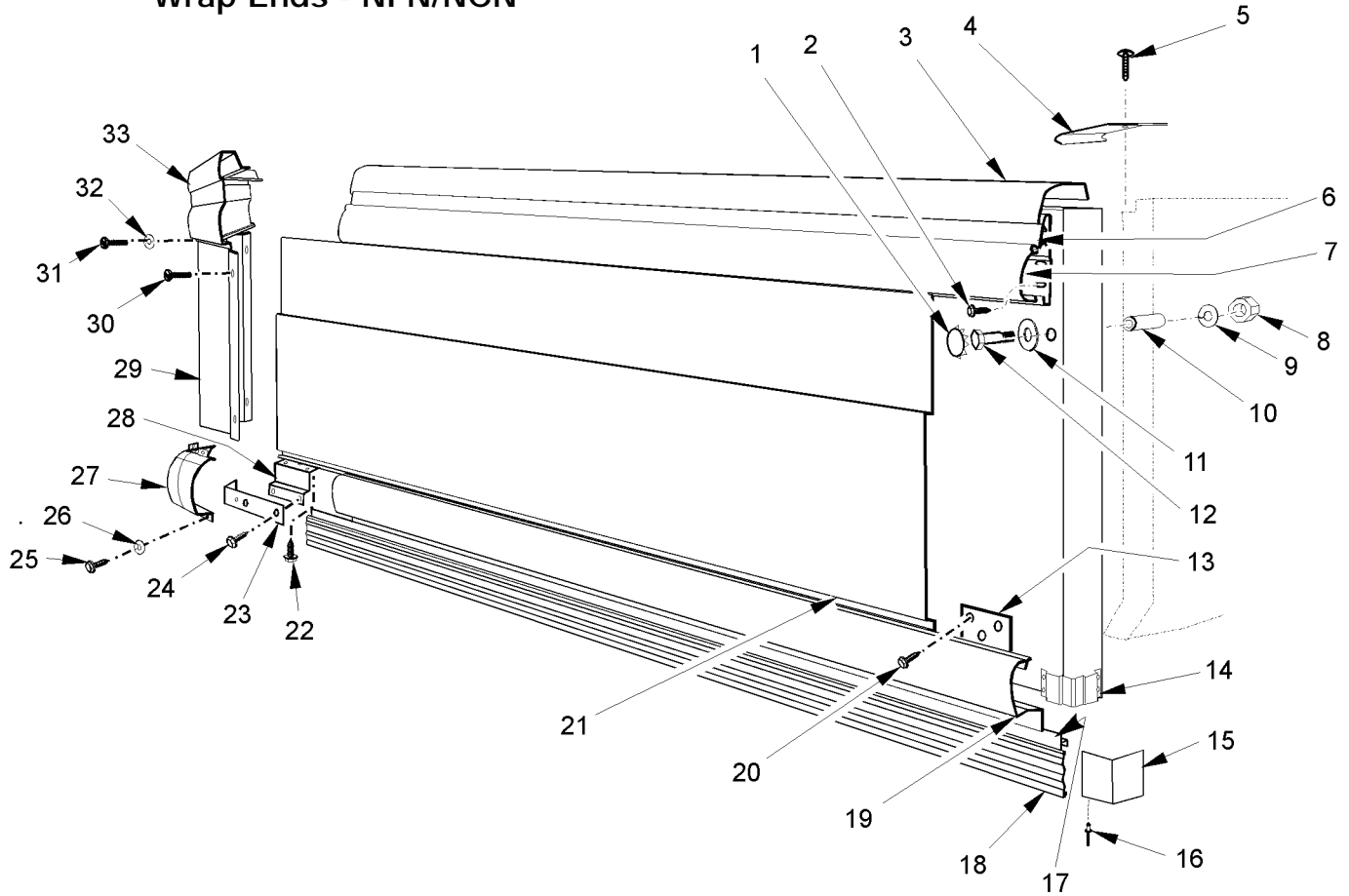


End Merchandiser

Item	Part No.	Qty.	Description	Item	Part No.	Qty.	Description
1	5203018	6	Screw	11	5183536	6	Screw
2	9029213	2	Rear Glass Support Cover	12	5225475	2	Heater Wire, Side
	5183536	4	Screw	13	5233734	1	Heater Wire, Front
3	9301926	1	RH Corner Support Assembly	14	5228406	4	Beadboard Insulation
	9023333	1	RH Corner Support Brkt. Assy.	15	9026087	1	Front Glass Rail
	9023335	1	RH Glass Support Brkt. Assy.	16	9030678	1	Front Thermo Glass
	9029075	1	RH CTR Bottom Glass Support	17	5231299	1	Front Glass Retainer
	5104957	2	Rivet	18	5183536	5	Screw
	5183536	2	Screw	19	9301812	2	Corner Bracket
4	9026089	2	Side Glass Rail		5104702	4	Rivet
5	9030680	1	Front Barrier Plexiglas	20	9301927	1	LH Corner Support Assembly
6	5104702	8	Rivet		9023332	1	LH Corner Support Brkt. Assy.
7	5231300	1	Front Glass Retainer		9023334	1	LH Glass Support Brkt. Assy.
	5203018	5	Screw		9029077	1	LH CTR Bottom Glass Support
8	5229550	2	Glass Rest		5104957	2	Rivet
9	9301862	2	Glass Corner Close-off		5183536	2	Screw
	5963571	A/R	Foam Tape	21	5224968	2	Side Thermo Glass
10	5224971	2	Side Glass Molding	22	5224976	2	Side Glass Retainer



**STRUCTURAL COMPONENTS - (CONT'D)**  
**WRAP ENDS, PATCH ENDS, PARTITIONS AND DIVIDERS**  
**Wrap Ends - NFN/NCN**



Item	Part No.	Qty.	Description	Item	Part No.	Qty.	Description
*	9301533	1	Wrap End Assy. (NFN/NCN)	15	9300401	2	Kickplate Corner Trim
*	9301532	1	Wrap End Bench Assy. (NFN/NCN)	16	5104702	2	Rivet (1 per trim)
1	5105873	2	Plug Button	17	+	1	Kickplate Extension [OPTL]
2	9025833	8	Shoulder Screw	18	+	1	Kickplate
3	+	1	Bumper Retainer	19	+	1	Raceway Cover
4	5207488	2	End Trim	20	5183536	6	Screw
5	5048626	4	Screw	21	9300451	1	End Cladding, Ptd. (NFN/NCN)
6	9023789	1	Color Band, Ptd.	22	5183536	9	Screw (3 per hanger)
7	+	1	Bumper	23	9300456	2	Corner Bracket
8	5200392	2	Elastic Stop Nut	24	5183536	4	Screw (2 per bracket)
9	5101006	2	Lockwasher	25	5183536	4	Screw (2 per trim)
10	5053056	2	Pullup Extension Sleeve	26	5100982	4	Washer (2 per trim)
11	5100979	2	Washer	27	+	2	Raceway Corner Trim
12	5145961	2	Tapping Bolt	28	9300455	2	End Kickplate Hanger
13	9300197	2	Cladding Retainer	29	9026181	2	Cladding Corner Trim
14	9300404	2	Corner Retainer Trim	30	5183536	8	Screw (4 per trim)
	5183536	8	Screw (4 per trim)	31	5183536	4	Screw (2 per trim)
				32	5100982	4	Washer (2 per trim)
				33	+	2	Upper Corner Trim

+ See page S7 for parts breakdown per color.





# STRUCTURAL COMPONENTS - (CONT'D)

## WRAP ENDS, PATCH ENDS, PARTITIONS AND DIVIDERS

### Wrap Ends - NFN/NCN

#### Upper Corner Trim [Item 33]

Part Number	Color
9025465	White
9026186	Bone White
9026187	Misty Gray
9026188	Pearl
9026189	Oatmeal
9026190	Soft Sand
9026191	Chromium
9026192	Cool Gray
9026193	Oyster
9026194	Black
9028881	Steel Gray
9031888	Chocolate
9031889	Mocha
9031890	Stone

#### Bumper Retainer [Item 3] (34.938"):

Part Number	Color
9026692	White
9026693	Bone White
9026694	Misty Gray
9026695	Pearl
9026696	Oatmeal
9026697	Soft Sand
9026698	Chromium
9026699	Cool Gray
9026700	Oyster
9026701	Black
9028920	Steel Gray
9031777	Chocolate
9031804	Mocha
9031858	Stone

#### Bumper [Item 7] (34.938"):

Part Number	Color
9026592	White
9026593	Bone White
9026594	Misty Gray
9026595	Pearl
9026596	Oatmeal
9026597	Soft Sand
9026598	Chromium
9026599	Cool Gray
9026600	Oyster
9026601	Black
9028885	Steel Gray
9031666	Chocolate
9031703	Mocha
9031740	Stone

#### Raceway Corner Trim [Item 27]

Part Number	Color
9041800	White
9041801	Bone White
9041802	Misty Gray
9041803	Pearl
9041804	Oatmeal
9041805	Soft Sand
9041806	Chromium
9041807	Cool Gray
9041808	Oyster
9041809	Black
9041811	Steel Gray
9041812	Chocolate
9041813	Mocha
9041814	Stone
9041815	Cherry Red

#### Kickplate [Item 18] (34.938"):

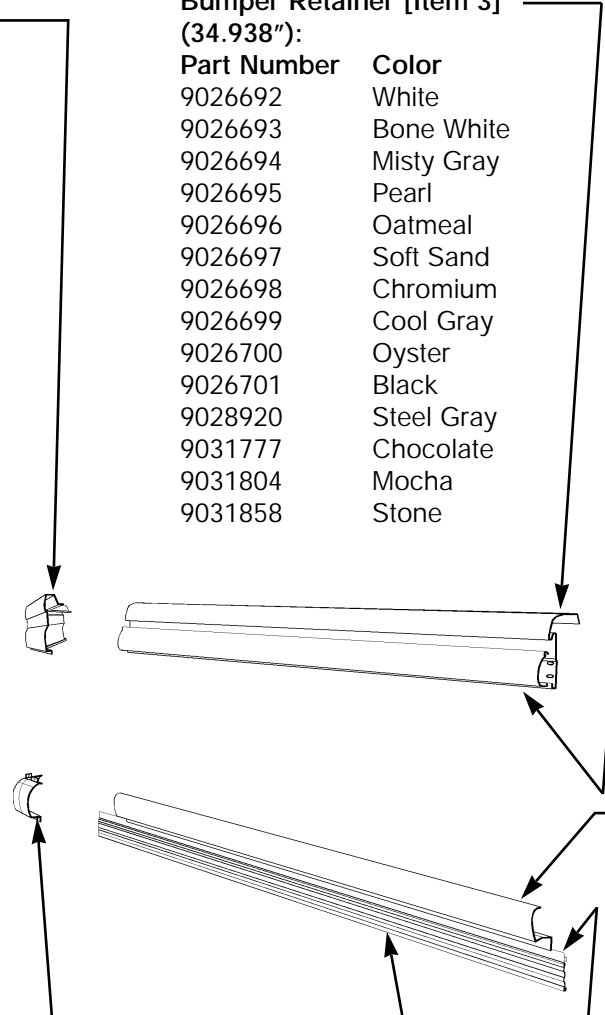
Part Number	Color
9026752	Cool Gray
9026753	Black
9026754	Pearl
9035200	Steel Gray

#### Raceway Cover [Item 19] (34.938"):

Part Number	Color
9026452	White
9026453	Bone White
9026454	Misty Gray
9026455	Pearl
9026456	Oatmeal
9026457	Soft Sand
9026458	Chromium
9026459	Cool Gray
9026460	Oyster
9026461	Black
9310646	Steel Gray
9031557	Chocolate
9031584	Mocha
9031638	Stone

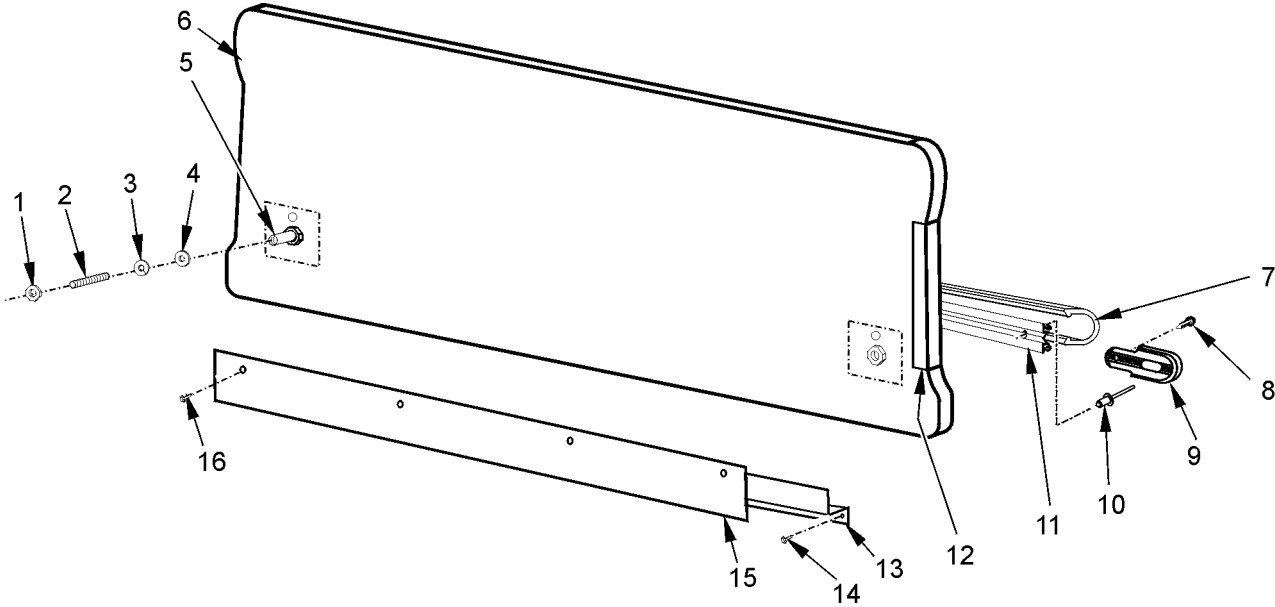
#### Optional Kickplate Extension [Item 17] (34.938"):

Part Number	Color
9042780	Cool Gray
9042781	Black
9042782	Pearl
9042783	Steel Gray





STRUCTURAL COMPONENTS - (CONT'D)  
 WRAP ENDS, PATCH ENDS, PARTITIONS AND DIVIDERS  
 Solid Patch Ends - NFN/NCN/NFB/NCB/NFE/NCE

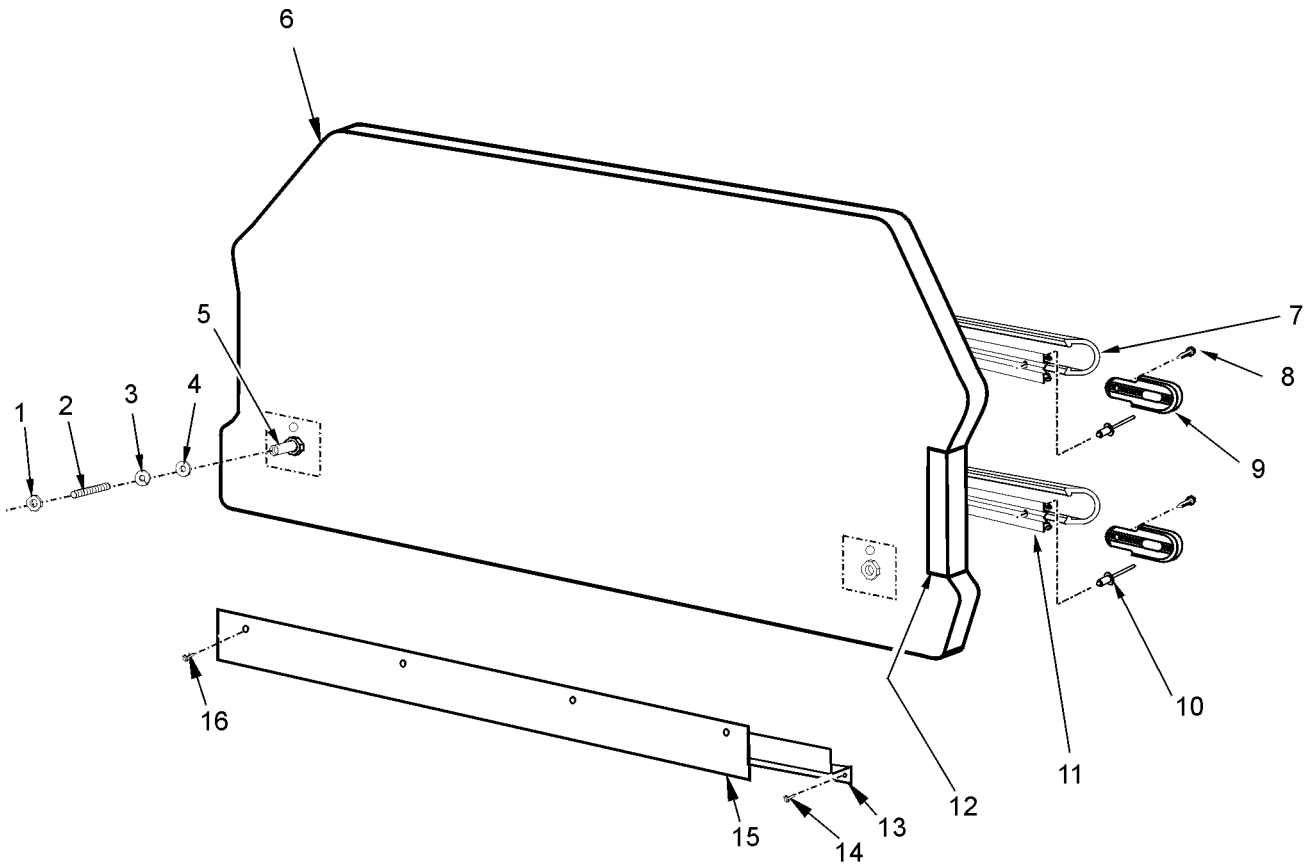


Item	Part No.	Qty.	Description	Item	Part No.	Qty.	Description
*	9022347	1	RH Flat End Assy. (NFN/NCN)		9027987	2	1" End Bumper, Pearl
†*	9022331	1	RH Flat End Assy. (NFB/NCB/NFE/NCE)		9029318	2	1" End Bumper, Pearly Gates
*	9302082	1	LH Flat End Assy. (NFN/NCN)		9310879	2	1" End Bumper, Steel Gray
*	9302080	1	LH Flat End Assy. (NFB/NCB)	8	5053985	4	Screw
1	5100625	2	Nut, 5/16"-18	9	9027743	4	End Cap, Cool Gray
2	9022759	2	Stud, 5/16"-18 x 3"		9027744	4	End Cap, Black
3	5101003	2	Lockwasher		9027742	4	End Cap, Pearl
4	5100976	2	Washer		9026528	4	End Cap, Pearly Gates
5	9022756	2	Threaded Insert		9310881	4	End Cap, Steel Gray
6	9028316	1	RH & LH Flat End Bench Assy. (NFN/NCN)	10	5104702	36	Rivet
	9028312	1	RH & LH Flat End Bench Assy. (NFB/NCB)	11	9027886	2	Mounting Retainer
7	9027985	2	1" End Bumper, Cool Gray	12	9301560	1	End Protector Plate
	9027986	2	1" End Bumper, Black		1309067	3	Screw
					5186737	1	Foam Gasket
					9028446	1	Label Protector Plate
				13	5127503	1	Horizontal End Trim
				14	1309067	1	Screw
				15	9027929	1	End Base Close-off, Ptd.
				16	5048626	4	Screw

† LFE/LCE end cases only use one RH flat end assembly.



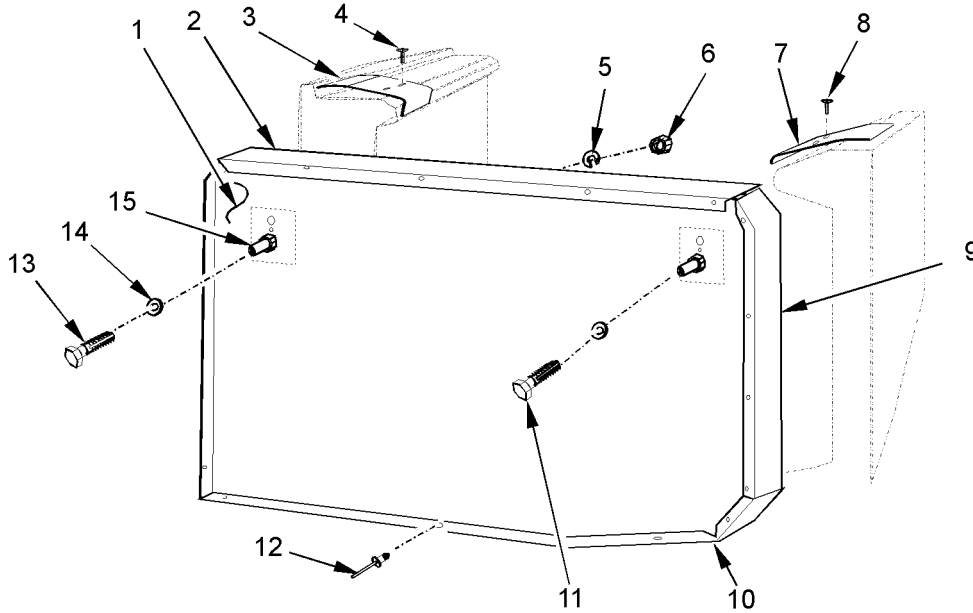
**STRUCTURAL COMPONENTS - (CONT'D)**  
**WRAP ENDS, PATCH ENDS, PARTITIONS AND DIVIDERS**  
**Solid Patch Ends - NFNG/NCNG/NFBG/NCBG**



Item	Part No.	Qty.	Description	Item	Part No.	Qty.	Description
*	9022405	1	RH Flat End Assy. (NFNG/NCNG)	7	9027985	2	1" End Bumper, Cool Gray
*	9022337	1	RH Flat End Assy. (NFBG/NCBG)		9027986	2	1" End Bumper, Black
*	9022406	1	LH Flat End Assy. (NFNG/NCNG)		9027987	2	1" End Bumper, Pearl
*	9022338	1	LH Flat End Assy. (NFBG/NCBG)		9029318	2	1" End Bumper, Pearly Gates
1	5100625	2	Nut, 5/16"-18		9310879	2	1" End Bumper, Steel Gray
2	9022759	2	Stud, 5/16"-18 x 3"	8	5053985	4	Screw
3	5101003	2	Lockwasher	9	9027743	4	End Cap, Cool Gray
4	5100976	2	Washer		9027744	4	End Cap, Black
5	9022756	2	Threaded Insert		9027742	4	End Cap, Pearl
6	9028264	1	RH Flat End Bench Assy. (NFNG/NCNG)		9026528	4	End Cap, Pearly Gates
	9028258	1	RH Flat End Bench Assy. (NFBG/NCBG)		9310881	4	End Cap, Steel Gray
	9028265	1	LH Flat End Bench Assy. (NFNG/NCNG)	10	5104702	36	Rivet
	9028259	1	LH Flat End Bench Assy. (NFBG/NCBG)	11	9027886	2	Mounting Retainer
				12	9301560	1	End Protector Plate
					1309067	3	Screw
					5186737	1	Foam Gasket
					9028446	1	Label Protector Plate
				13	5127503	1	Horizontal End Trim
				14	1309067	1	Screw
				15	9027929	1	End Base Close-off, Ptd.
				16	5048626	4	Screw



**STRUCTURAL COMPONENTS - (CONT'D)**  
**WRAP ENDS, PATCH ENDS, PARTITIONS AND DIVIDERS**  
**1" Solid Partitions - NFN/NCN**



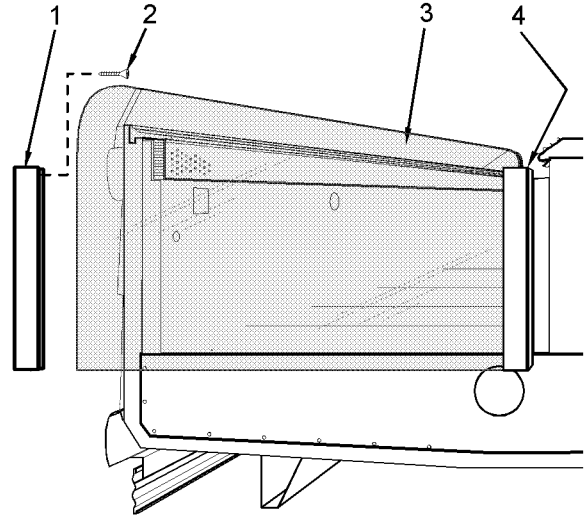
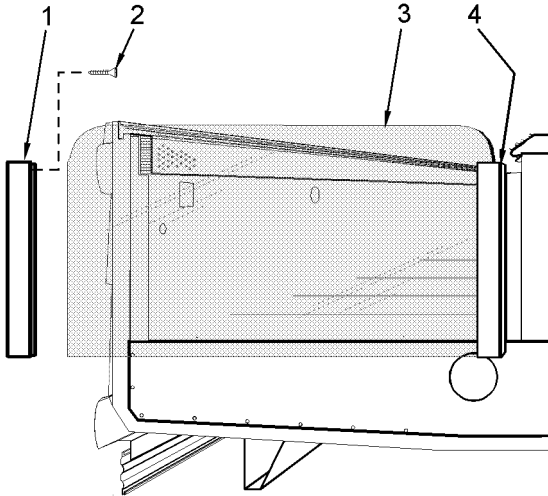
Item	Part No.	Qty.	Description	Item	Part No.	Qty.	Description
*	9021561	1	1" Solid Partition Assy., Ptd.	8	5205439	2	Screw
1	9030559	1	1" Solid Partition Bench Assy.	9	9301968	2	Front & Rear Trim
	9030555	2	Partition Liner	10	9030556	1	Outer Lower Trim
2	9030557	1	Top Trim	11	5100748	1	Bolt
3	5207469	1	Rear Riser Joint Trim	12	5104702	34	Rivet
4	5205439	2	Screw	13	5122898	1	Bolt
5	5101006	2	Lockwasher	14	5100979	2	Washer
6	5126973	2	Nut	15	5053056	1	Pull-up Sleeve
7	5207491	1	Front Joint Trim				



**STRUCTURAL COMPONENTS - (CONT'D)**  
**WRAP ENDS, PATCH ENDS, PARTITIONS AND DIVIDERS**  
**Inside Plexiglas Dividers - NFN(G)/NCN(G)/NFB(G)/NCB(G)**

NFN/NCN/NFB/NCB

NFNG/NCNG/NFBG/NCBG



**Merchandiser w/o Glass**

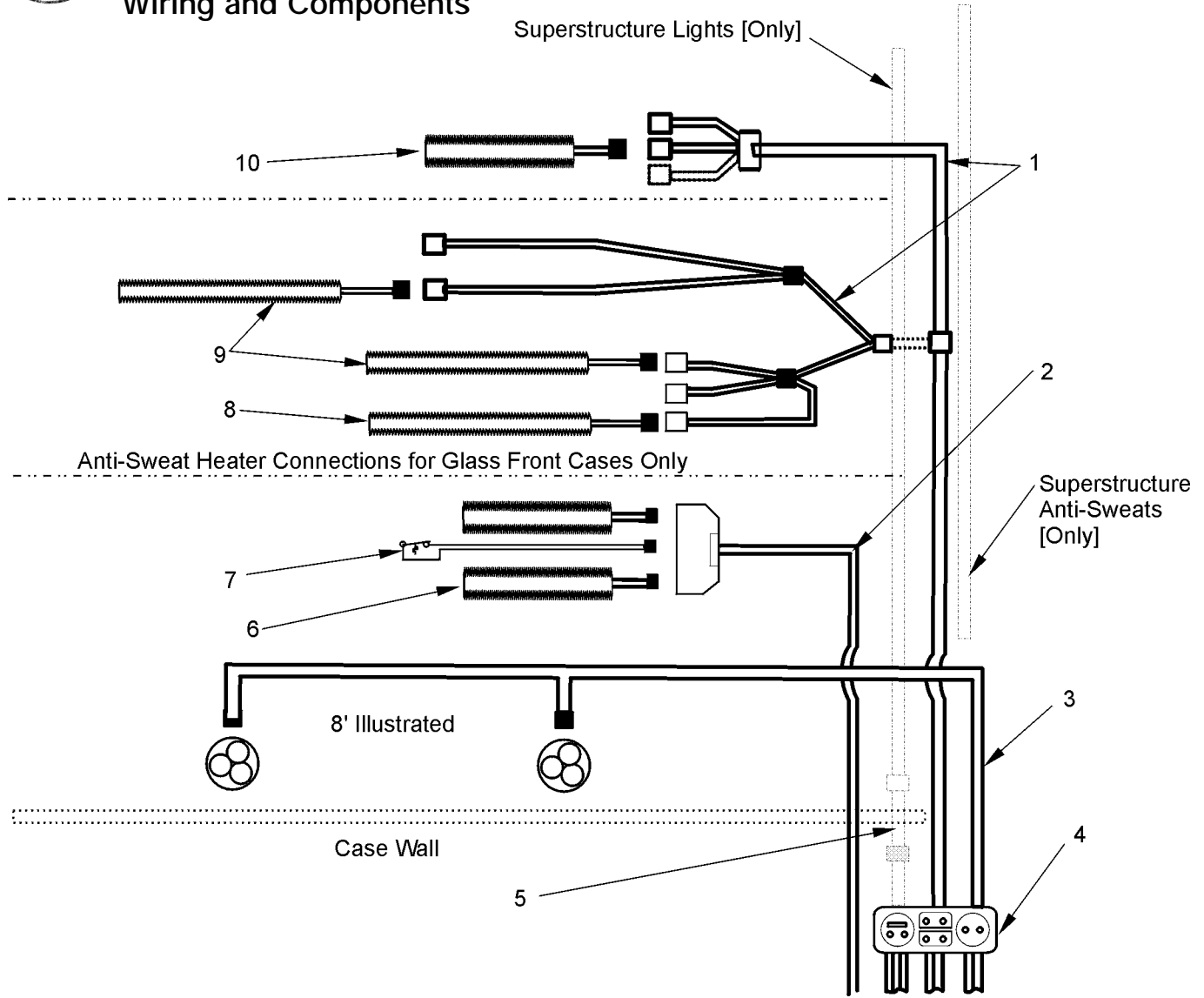
Item	Part No.	Qty.	Description
*	5182573	1	Plexiglas Divider Assy.
1	5128559	1	Front Support Assy. - Weldmt.
2	5205439	10	Screw (5 per support)
3	5128906	1	Plexiglas Divider
4	5182471	1	Rear Support Assy. - Weldmt.

**Merchandiser w/ Glass**

Item	Part No.	Qty.	Description
*	5980168	1	Plexiglas Divider Assy.
1	5028559	1	Front Support Assy. - Weldmt.
2	5205439	10	Screw (5 per support)
3	5980167	1	Plexiglas Divider
4	5182471	1	Rear Support Assy. - Weldmt.



**ELECTRICAL SYSTEM COMPONENTS**  
**WIRING HARNESSSES - NFN(G)/NCN(G)/NFB(G)/NCB(G)**  
**Wiring and Components**

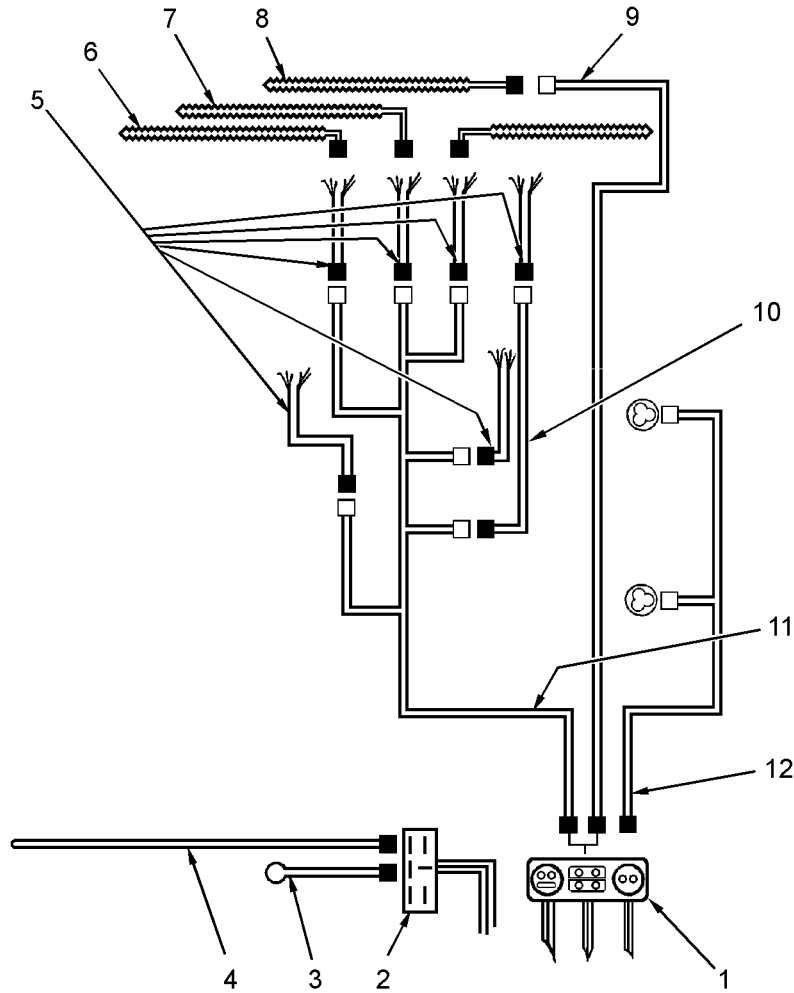


**8' and 12' Merchandiser**

Item	Part No.	Quantity		Description	Item	Part No.	Quantity		Description
		8'	12'				8'	12'	
1	5210941	1	1	Anti-Sweat Harness (NFN/NCN/NFB/LCB)	9	5227998	2	-	Thermo Glass
	5212544	1	1	Anti-Sweat Harness (NFNG/NCNG/NFBG/NCBG)		5957497	-	2	Thermo Glass
2	5219930	1	1	Harness, 220V Input	10	5124818	1	-	Heater Wire, 115V RR Riser
3	5199414	1	-	Fan Harness		5124819	-	1	Heater Wire, 115V RR Riser
	5199415	-	1	Fan Harness		5124216	1	-	Heater Wire, 220V RR Riser
4	5199320	1	1	Harness, 115V Input		5124217	-	1	Heater Wire, 220V RR Riser
5	5220484	1	1	Harness Adapter	<b>Hot Gas Options</b>				
6	5124521	2	-	Defrost Heater	-	5224113	1	-	Fan Control Jumper Harness
	5124522	-	2	Defrost Heater	-	9023508	1	-	H.G. Term Klixon-55/40
7	5125211	1	1	Klixon Thermostat		9023503	1	-	Fan Cont. Klixon-50/40
8	5128331	1	-	Heater Wire, Glass Retainer					
	5128332	-	1	Heater Wire, Glass Retainer					



ELECTRICAL SYSTEM COMPONENTS - (CONT'D)  
 WIRING HARNESSSES - NFE/NCE/NFGE/NCGE  
 Wiring and Components

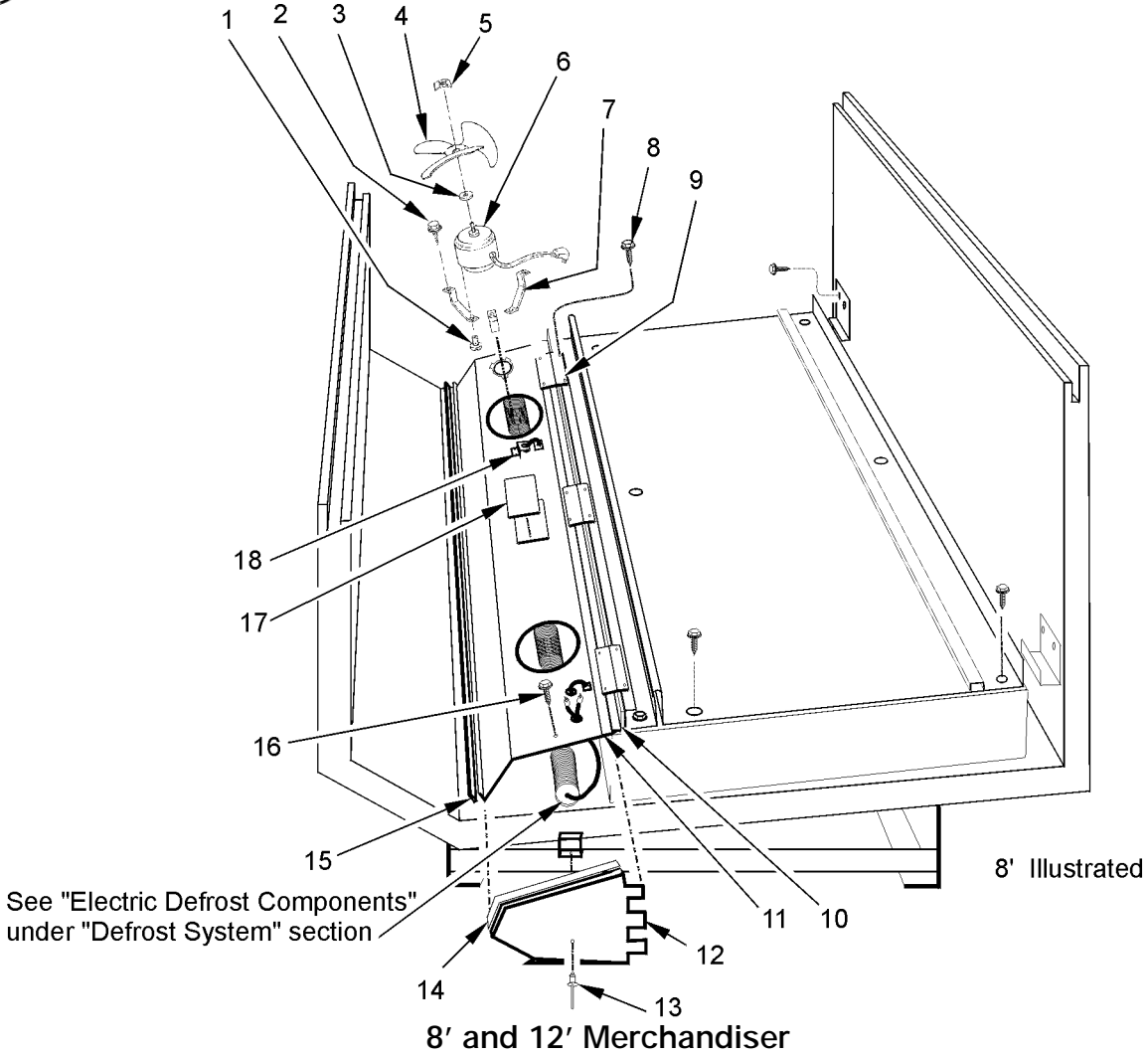


End Merchandiser

Item	Part No.	Qty.	Description	Item	Part No.	Qty.	Description
1	5199320	1	Harness, 115V Input	11	5233210	1	Anti-Sweat Harness, Glass (NFGE/NCGE)
2	5219930	1	Harness, 220V Input	12	5199414	1	Fan Harness
3	5125211	1	Klixon Thermostat	<b>Hot Gas Options</b>			
4	5195710	1	Defrost Heater	-	5224113	1	Fan Control Jumper Harness
5	5129895	6	Wiring Harness (NFGE/NCGE)	-	9023508	1	H.G. Term Klixon-55/40
6	5225475	2	Heater Wire, Side Glass Retainer (NFGE/NCGE)	-	9023503	1	Fan Cont. Klixon-50/40
7	5233734	1	Heater Wire, Front Glass Retainer (NFGE/NCGE)				
8	5225474	1	Heater Wire, Discharge Air				
9	5123832	1	Anti-Sweat Harness, Disch. Air				
10	5123836	1	Glass Panel Harness (NFGE/NCGE)				
	9030678	1	Thermo Glass, Front (NFGE/NCGE)				
	5224968	2	Thermo Glass, Side (NFGE/NCGE)				



**ELECTRICAL SYSTEM COMPONENTS - (CONT'D)**  
**FAN SYSTEMS - NFN(G)/NCN(G)/NFB(G)/NCB(G)**

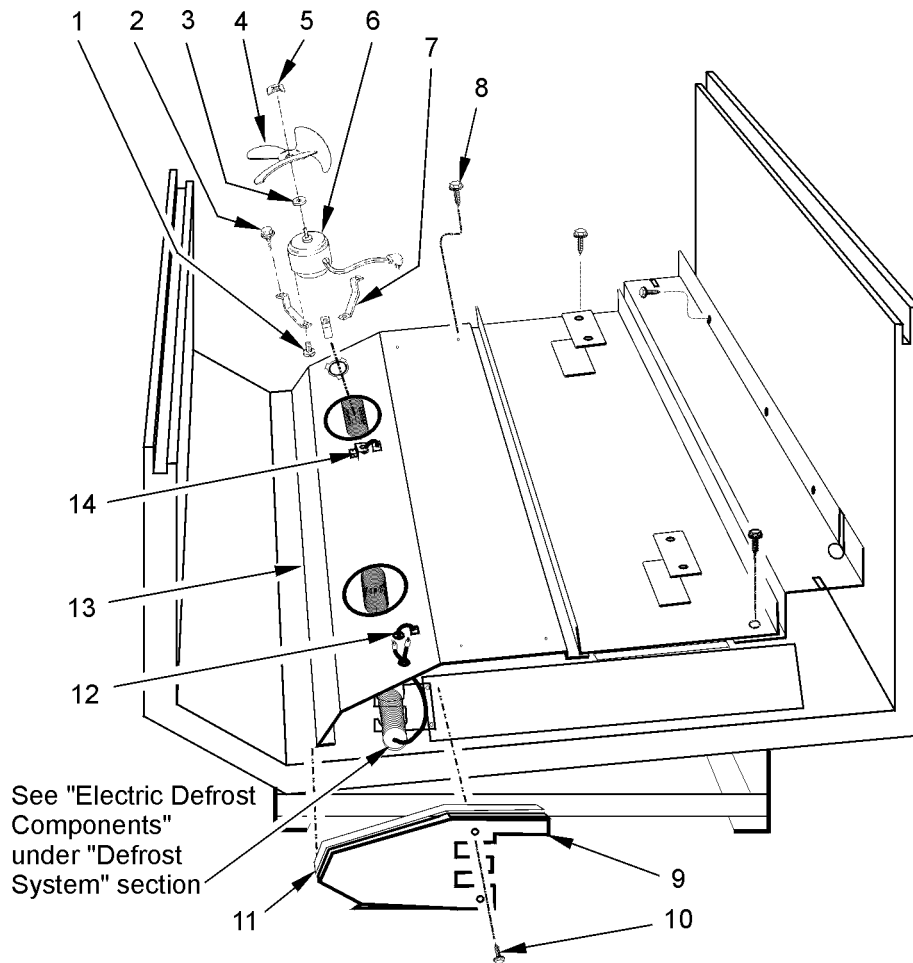


Item	Part No.	Quantity		Description	Item	Part No.	Quantity		Description
		8'	12'				8'	12'	
*	5025798	2	3	Fan Motor & Bracket Assy.	10	5107190	8'	12'	Gasket
1	----	6	9	Screw (furnished w/ motor)	11	5223345	1	-	Fan Panel
2	5120943	6	9	Screw		5223346	-	1	Fan Panel
3	----	2	3	Gasket (furnished w/ motor)	12	5223343	1	1	RH Fan Panel Close-off
4	5105621	2	3	Fan Blade - 6", 21° Pitch		5223344	1	1	LH Fan Panel Close-off
	5104294	2	3	Opt. Fan Blade - 6", 27° Pitch for 220V fan	13	5104702	2	2	Rivet (1 per close-off)
	9025138	2	3	Opt. ECM Fan Blade - 6", 25 1/4° Pitch	14	5107190	6'	6'	Gasket (3' per close-off)
5	----	2	3	Nut (furnished w/ motor)	15	5107190	8'	12'	Gasket
6	5125532	2	3	Fan Motor - 5W, 115V	16	5183536	2	2	Screw
	5202538	2	3	Opt. Fan Motor - 5W, 220V	17	5644806	1	1	Inspection Hole Cover
	9025002	2	3	Opt. ECM Fan Motor 8W 115V		5183536	2	2	Screw
7	5213132	6	9	Fan Motor Bracket		5100917	1	1	Plug Button, 1" (NFN(G)/NFB(G))
	5205279	6	9	Opt. ECM Fan Motor Bracket	18	5120359	2	3	Fan Harness Clip (NFN(G)/NFB(G))
	9041077	2	3	Fan Bracket MTG Plate		5206177	2	3	Fan Harness Clip (NCN(G)/NCB(G))
8	5120746	12	16	Screw		5183536	2	3	Screw
9	5186058	3	4	Hinge		5122007	2	3	Strain Relief





ELECTRICAL SYSTEM COMPONENTS - (CONT'D)  
 FAN SYSTEMS - NFE/NCE/NFGE/NCGE

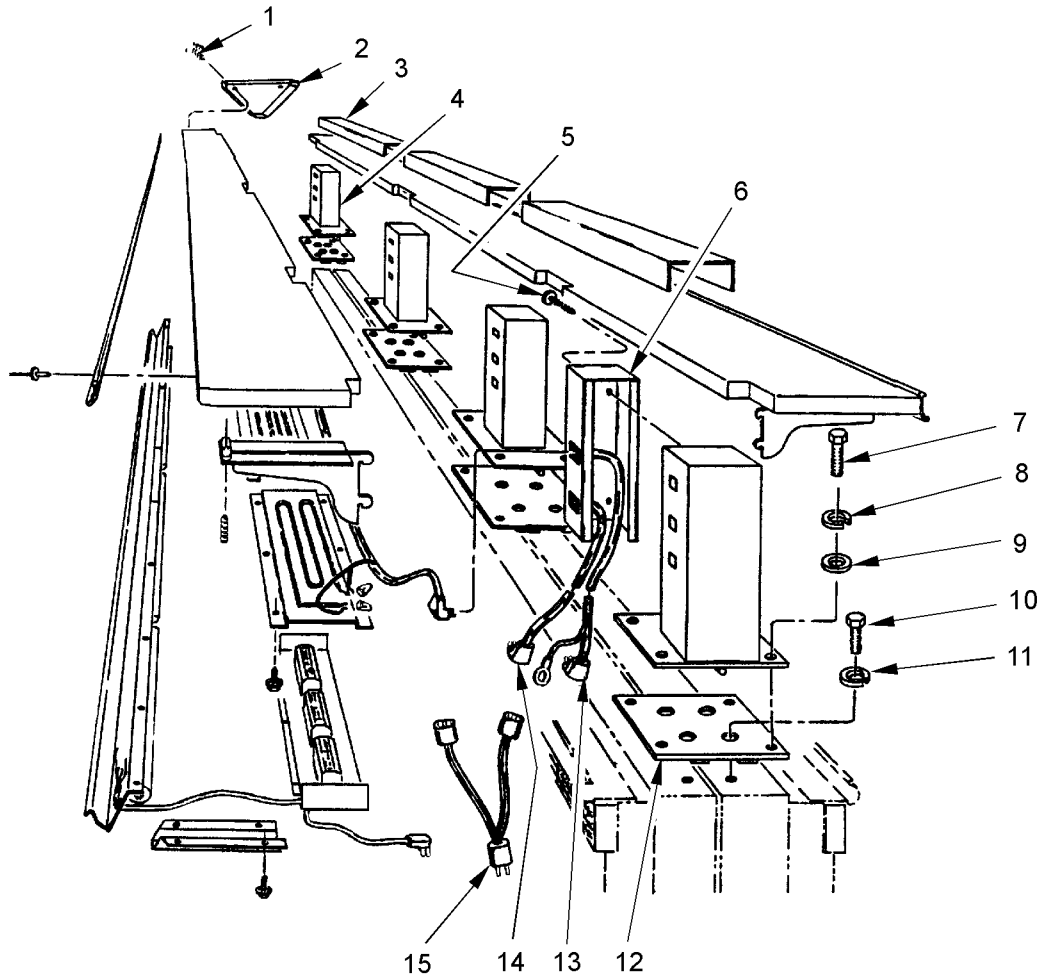


End Merchandiser

Item	Part No.	Qty.	Description	Item	Part No.	Qty.	Description
*	5025798	2	Fan Motor & Bracket Assy.	9	5963481	1	RH Fan Panel Close-off
1	----	6	Screw (furnished w/ motor)	5963482	1	LH Fan Panel Close-off	
2	5120943	6	Screw	10	5183536	4	Screw (2 per close-off)
3	----	2	Gasket (furnished w/ motor)	11	5107190	160"	Gasket
4	5105621	2	Fan Blade - 6", 21° Pitch 115V	12	5199414	1	Fan Harness
	5104292	2	Opt. Fan Blade - 6", 27° Pitch 220V	5122007	3	Strain Relief	
	9025138	2	Opt. ECM Fan Blade - 6", 25 1/4° P	13	5963480	1	Fan Panel
5	----	2	Nut (furnished w/ motor)	14	5206177	2	Fan Harness Clip
6	5125532	2	Fan Motor - 5W, 115V	5183536	2	Screw (1 per clip)	
	5202538	2	Opt. Fan Motor - 5W, 220V				
	9025002	2	Opt. ECM Fan Motor - 8W, 115V				
7	5213132	6	Fan Motor Bracket				
	5205279	6	Opt. ECM Fan Bracket				
	9041077	2	Fan Bracket MTG Plate				
8	5183536	16	Screw				



**ELECTRICAL SYSTEM COMPONENTS - (CONT'D)**  
**OPTIONAL SUPERSTRUCTURE COMPONENTS - NFB(G)/NCB(G)**  
**XS Superstructure Upright Assembly**

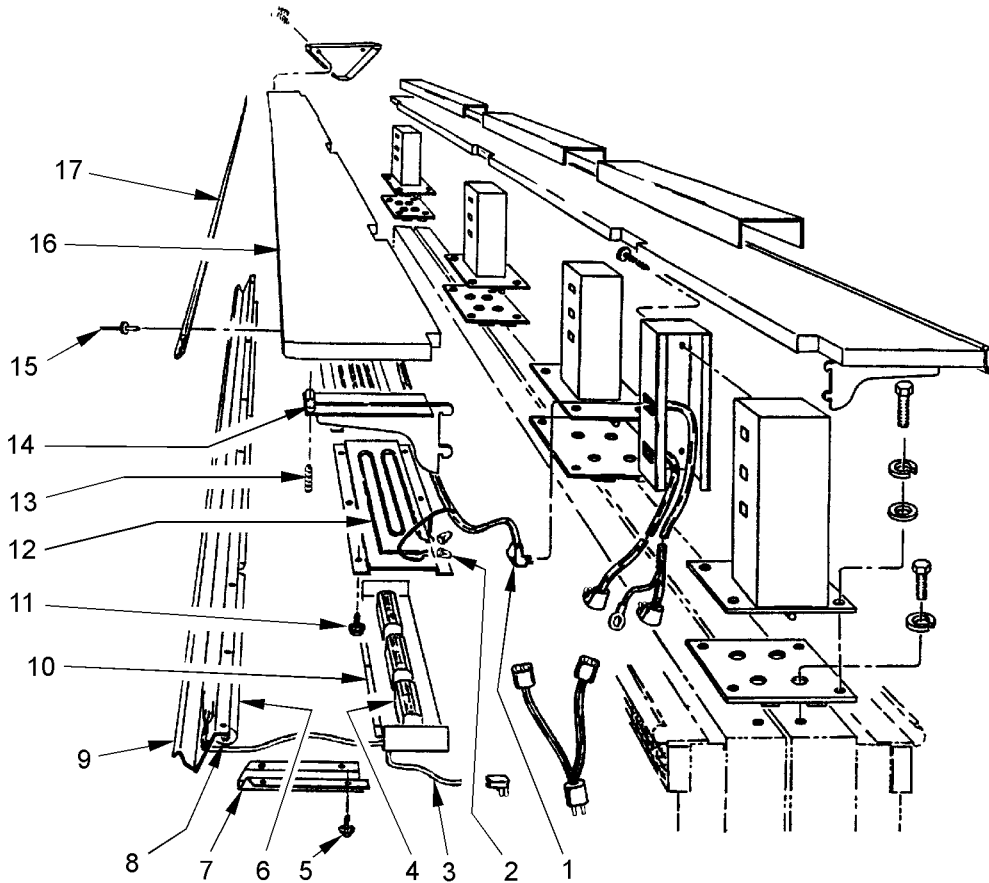


**8' and 12' Merchandiser**

Item	Part No.	Quantity		Description	Item	Part No.	Quantity		Description
		8'	12'				8'	12'	
*	5083121	1	-	XS Superstructure Assy. w/Shelf	6	5193898	2	4	Harness Housing
*	5083122	-	1	XS Superstructure Assy. w/Shelf	7	5109019	8	16	Bolt
1	5619204	4	4	Screw	8	5199317	8	16	Lockwasher
2	5148448	2	2	End Plate	9	5100960	8	16	Washer
3	5128233	2	2	Upper Rear End Trim	10	5100752	8	16	Bolt
	5128234	-	1	Upper Rear Center Trim	11	5101006	8	16	Lockwasher
4	5081601	2	2	End Upright Weld Assy.	12	5028658	2	6	Pivot Plate
	5081606	-	2	Center Upright Weld Assy.	13	5123211	2	6	Harness, Heater
5	5111030	12	18	Screw	14	5220491	2	6	Harness, Lights
					15	5124209	2	6	"Y" Harness



ELECTRICAL SYSTEM COMPONENTS - (CONT'D)  
 OPTIONAL SUPERSTRUCTURE COMPONENTS - NFB(G)/NCB(G)  
 XS Superstructure 12" Shelf Assembly

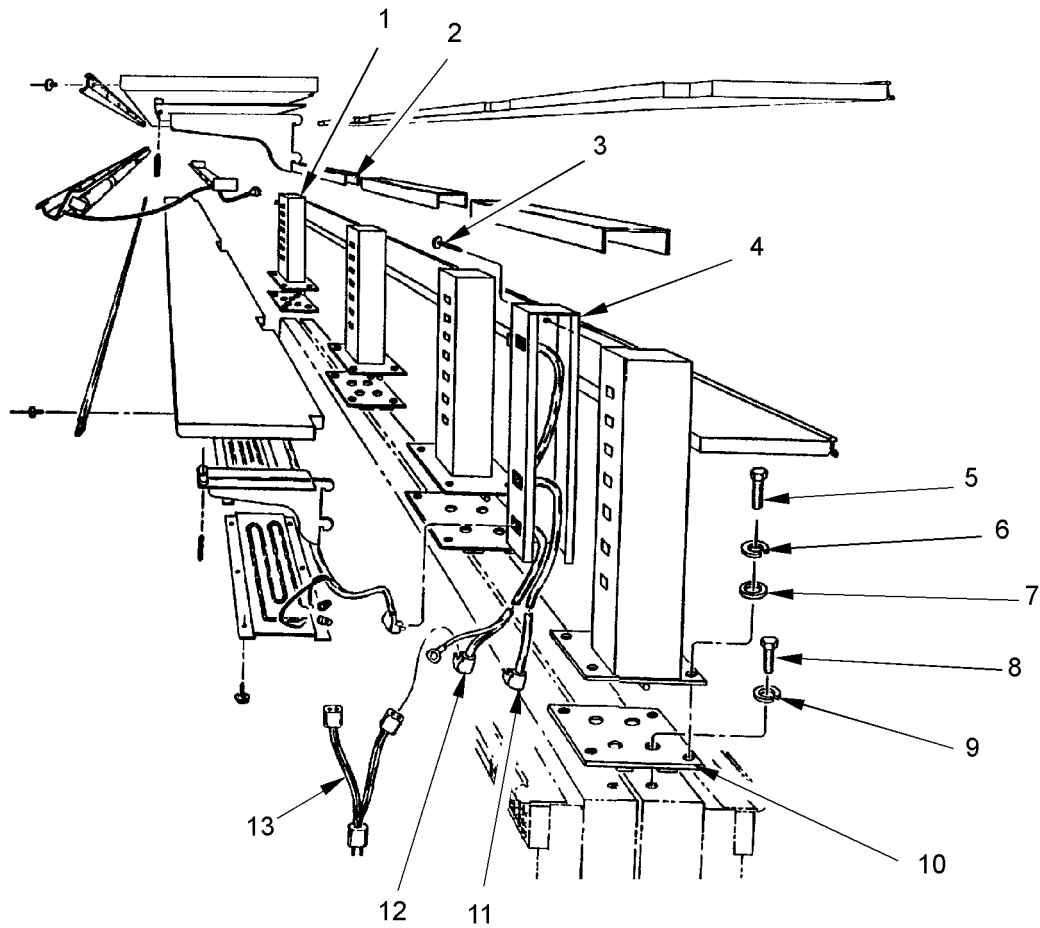


8' and 12' Merchandiser

Item	Part No.	Quantity		Description	Item	Part No.	Quantity		Description
		8'	12'				8'	12'	
*	5040476	2	-	12" Shelf Assy. w/Lights		5607249	-	1	Light Channel
*	5040477	-	2	12" Shelf Assy. w/Lights		5102071	1	1	Strain Relief
*	5040466	1	-	12" Shelf Bench Assy.		5102021	2	3	Starter, 30W
*	5040468	-	1	12" Shelf Bench Assy.		5107584	2	3	Starter Socket, 660W-250V
1	5123232	1	-	Harness, Heater		5123227	1	1	Light Channel Harness
	5123233	-	1	Harness, Heater	10	5607286	1	2	Ballast Housing
2	5145679	2	2	Wire Connector	11	5111197	2	2	Screw
*	5025205	1	-	Ballast & Housing Assy.	*	5025050	2	3	Heater Panel Bench Assy.
*	5025207	-	2	Ballast & Housing Assy.	12	5124818	2	3	Heater Wire
3	5220621	1	1	Ballast Harness		5123085	2	3	Heater Panel
	5100565	1	1	Switch		5057259	A/R	A/R	Aluminum Tape
4	5100066	2	3	Ballast, 30W	13	5124670	6	8	Screw, Headless
5	5619204	4	4	Screw	14	5040369	6	8	Bracket
6	----	2	3	Lamp	15	5104957	6	-	Rivet
7	5123177	2	2	Wiring Race		5104702	-	8	Rivet
8	5217544	4	6	Lampholder	16	5040365	1	-	Shelf Weld Assy.
*	5025204	1	-	Light Channel Assy.		5040366	-	1	Shelf Weld Assy.
*	5025206	-	1	Light Channel Assy.	17	5236930	1	-	Card Molding
9	5607271	1	-	Light Channel		5236936	-	1	Card Molding



ELECTRICAL SYSTEM COMPONENTS - (CONT'D)  
 OPTIONAL SUPERSTRUCTURE COMPONENTS - NFB(G)/NCB(G)  
 AXS Superstructure Upright Assembly

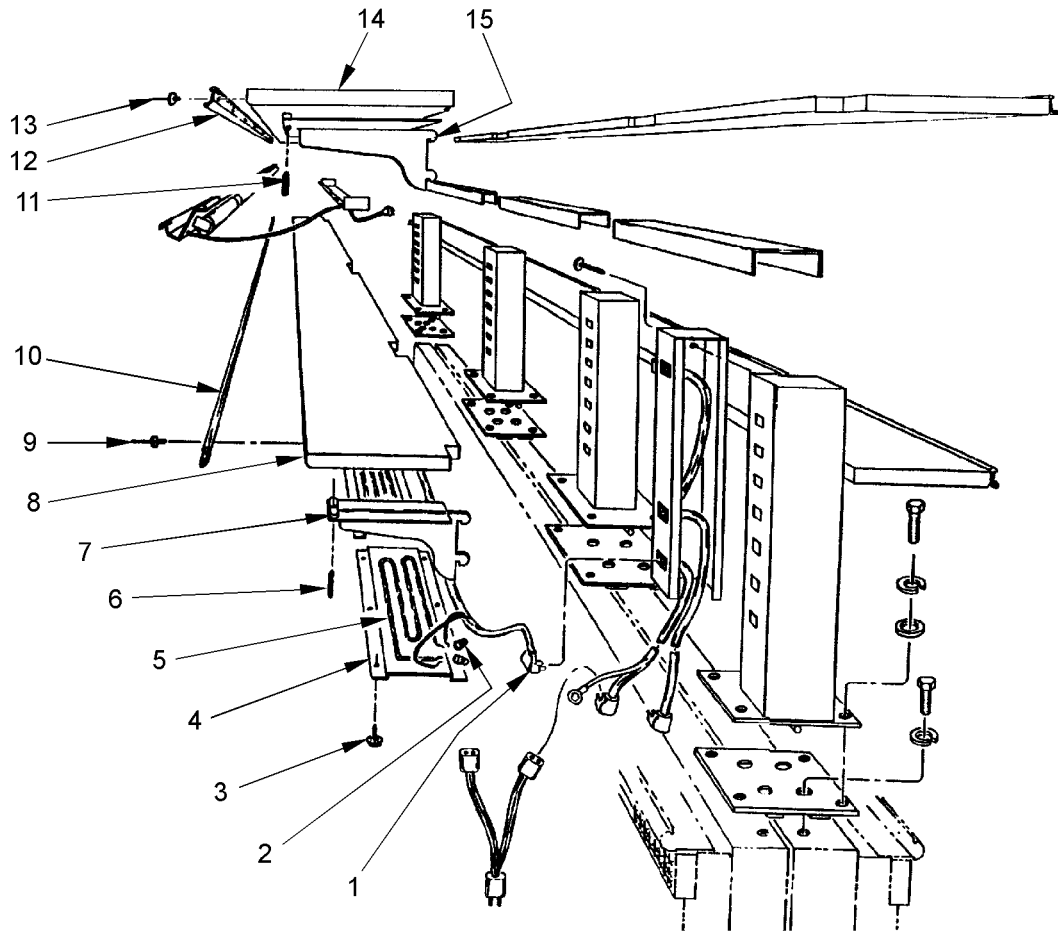


8' and 12' Merchandiser

Item	Part No.	Quantity		Description	Item	Part No.	Quantity		Description
		8'	12'				8'	12'	
*	5028706	1	-	AXS Superstructure Assy. w/Double Shelf	5	5109019	8	16	Bolt
*	5028707	-	1	AXS Superstructure Assy. w/Double Shelf	6	5199317	8	16	Lockwasher
1	5026982	2	-	Upright Weld Assy.	7	5100960	8	16	Washer
	5026983	-	4	Upright Weld Assy.	8	5100752	8	16	Bolt
2	5128233	2	2	Upper Rear End Trim	9	5101006	8	16	Lockwasher
	5128234	-	1	Upper Rear Center Trim	10	5028658	2	4	Pivot Plate
3	5111030	12	18	Screw	12	5123211	2	4	Harness, Heater
4	5080022	2	4	Harness Housing	11	5220500	2	4	Harness, Lights
					13	5124209	2	4	"Y" Harness



ELECTRICAL SYSTEM COMPONENTS - (CONT'D)  
 OPTIONAL SUPERSTRUCTURE COMPONENTS - NFB(G)/NCB(G)  
 AXS Superstructure 12" & 15" Shelf Assemblies

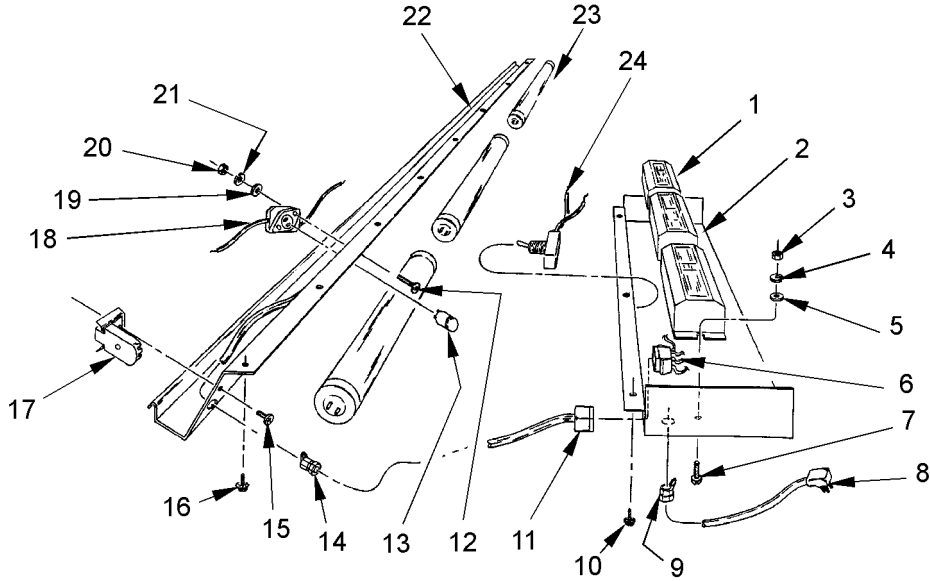


8' and 12' Merchandiser

Item	Part No.	Quantity		Description	Item	Part No.	Quantity		Description
		8'	12'				8'	12'	
*	5040466	2	-	12" Shelf Assy. w/o Lights	9	5104957	6	-	Rivet
*	5040468	-	2	12" Shelf Assy. w/o Lights		5104702	-	8	Rivet
1	5123232	1	-	Harness, Heater	10	5236930	1	-	Card Molding
	5123233	-	1	Harness, Heater		5236936	-	1	Card Molding
2	5145679	2	2	Wire Connector	*	5040467	1	-	15" Shelf Assy. w/ Lights
3	5111197	6	6	Screw	*	5040469	-	1	15" Shelf Assy. w/ Lights
*	5025050	2	3	Heater Panel Bench Assy.	11	5124670	6	8	Screw, Headless
4	5123085	1	1	Heater Panel	12	5236930	1	-	Card Molding
5	5124818	1	1	Heater Wire		5236936	-	1	Card Molding
	5057259	A/R	A/R	Aluminum Tape	13	5104957	6	8	Rivet
6	5124670	6	8	Screw, Headless	14	5040367	1	-	15" Shelf Weld Assy.
7	5040369	6	8	Bracket		5040368	-	1	15" Shelf Weld Assy.
8	5040365	1	-	12" Shelf Weld Assy.	15	5040370	6	8	Bracket
	5040366	-	1	12" Shelf Weld Assy.					



ELECTRICAL SYSTEM COMPONENTS - (CONT'D)  
 OPTIONAL SUPERSTRUCTURE COMPONENTS - NFB(G)/NCB(G)  
 AXS Superstructure 15" Shelf Light Channel Assembly

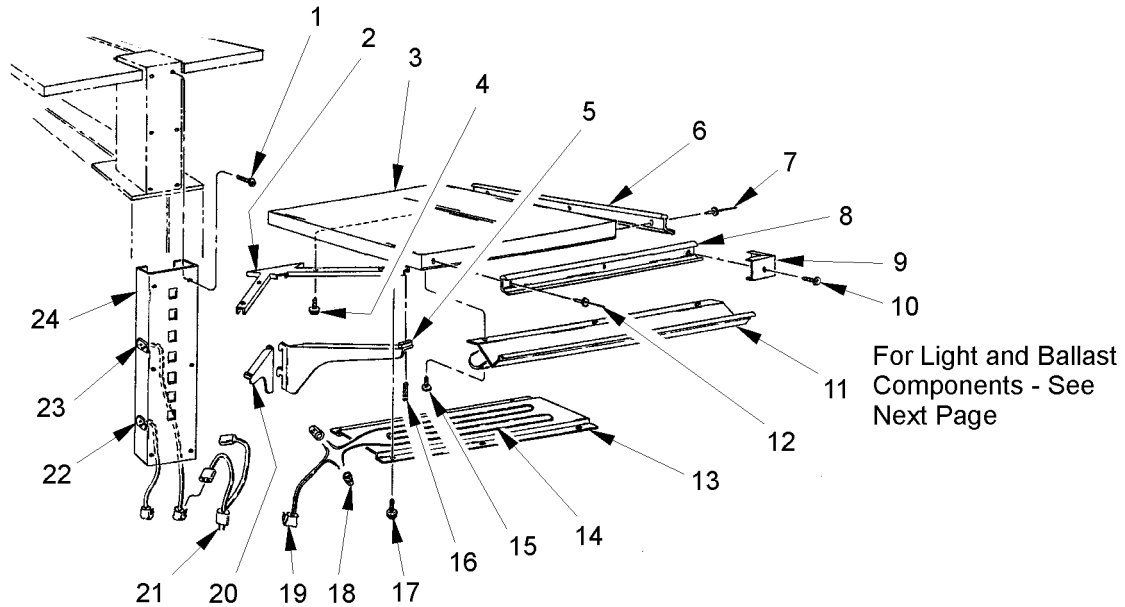


8' and 12' Merchandiser

Item	Part No.	Quantity		Description	Item	Part No.	Quantity		Description
		8'	12'				8'	12'	
*	5025205	1	-	Ballast & Housing Assy.	13	5102021	2	3	Starter, 30W
*	5025207	-	1	Ballast & Housing Assy.	14	5102071	1	1	Strain Relief
1	5100066	2	3	Ballast, 30W	15	----	4	6	Screw (furn. w/lampholder)
2	5607286	1	1	Ballast Housing	16	5120943	6	8	Screw
3	5111198	4	6	Nut	17	5107583	4	6	Lampholder
4	5100387	4	6	Lockwasher	18	5107584	2	3	Starter Socket, 660W-250V
5	5100970	4	6	Washer	19	5100973	4	6	Washer
6	5123228	1	1	Harness, Ballast	20	5100661	4	6	Nut
7	5619204	4	4	Screw	21	5101000	4	6	Lockwasher
8	5220621	1	1	Harness	22	5607271	1	-	Light Channel
9	5123249	1	1	Strain Relief		5607249	-	1	Light Channel
10	5111197	4	6	Screw	23	----	2	3	Lamp
11	5123227	1	1	Light Channel Harness	24	5100565	1	1	Switch
12	5185153	4	6	Screw					



ELECTRICAL SYSTEM COMPONENTS - (CONT'D)  
 OPTIONAL SUPERSTRUCTURE COMPONENTS - NFE/NCE/NFGE/NCGE  
 YWA End Superstructure Assembly

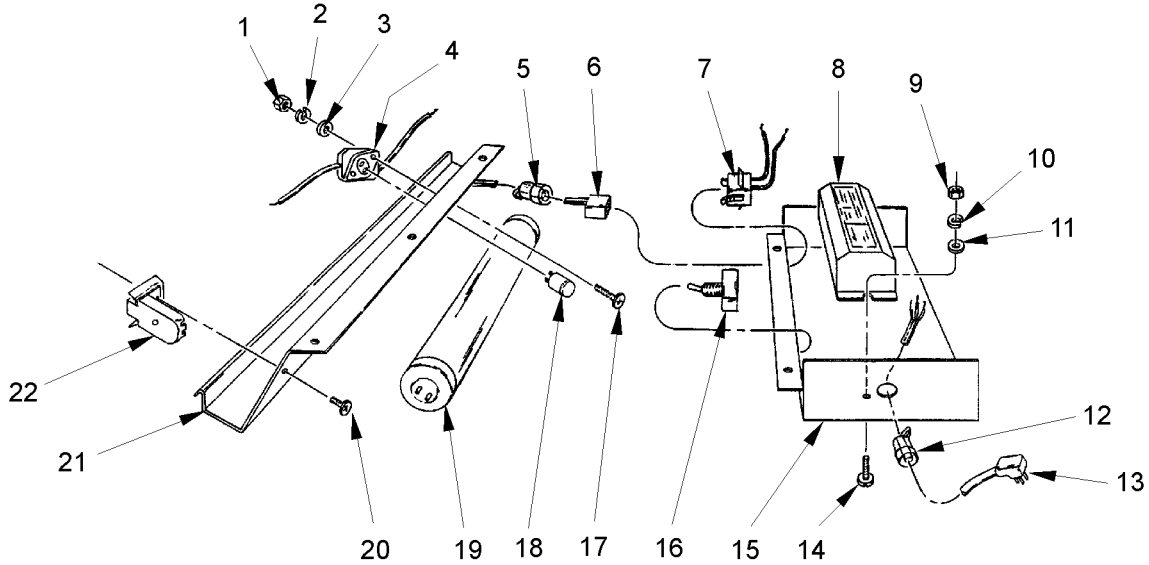


End Merchandiser

Item	Part No.	Qty.	Description	Item	Part No.	Qty.	Description
*	<b>5083126</b>	<b>1</b>	<b>12" End Shelf Assy. w/Lights</b>	*	<b>5025051</b>	<b>1</b>	<b>Heater Panel Bench Assy.</b>
1	5111030	6	Screw	13	5123138	1	Heater Panel
2	5040433	1	End Bracket Weld Assy.		5123249	1	Strain Relief
*	<b>5037562</b>	<b>1</b>	<b>12" End Shelf Bench Assy.</b>	14	5123236	1	Heater Wire
3	5025071	1	12" Shelf Weldment		5057259	A/R	Aluminum Tape
4	5120943	4	Screw	15	5619204	5	Screw
5	5040439	1	RH Shelf Bracket	16	5124670	2	Screw, Headless
6	5236888	2	Card Molding, Side	17	5619204	6	Screw
7	5104957	3	Rivet	18	5145679	2	Wire Connector
8	5236897	1	Card Molding, Front	19	5106867	1	Wiring Harness
9	5123231	2	Corner Cap, Card Molding	20	5040440	1	LH Shelf Bracket
10	5048626	4	Screw	21	5124209	2	"Y" Harness
11	5607340	1	Light Channel	22	5123211	1	Harness, Heater
12	5104957	4	Rivet	23	5220491	1	Harness, Light
				24	5193896	1	End Shelf Upright



ELECTRICAL SYSTEM COMPONENTS - (CONT'D)  
 OPTIONAL SUPERSTRUCTURE COMPONENTS - NFE/NCE/NFGE/NCGE  
 YWA End Superstructure 12" Shelf Light Channel Assembly



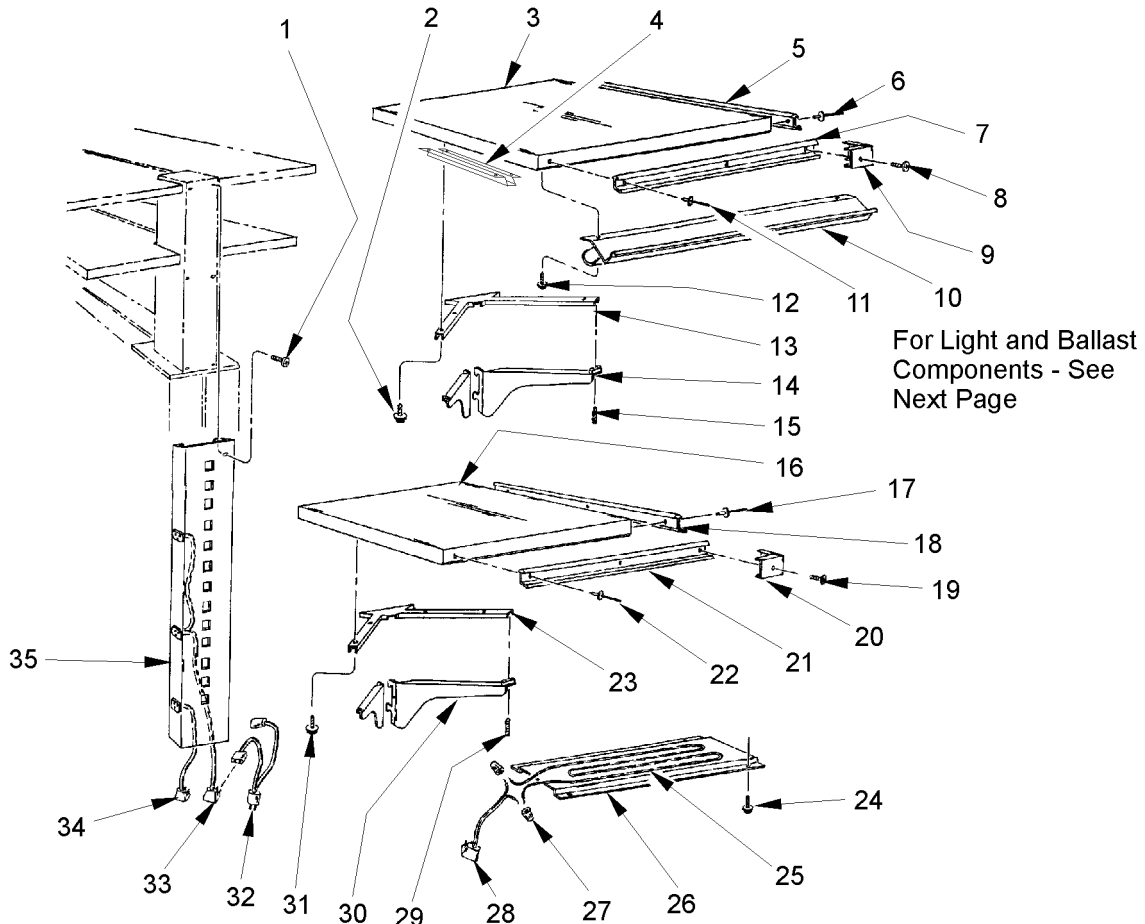
End Merchandiser

Item	Part No.	Qty.	Description	Item	Part No.	Qty.	Description
1	5111198	2	Nut	12	5123249	1	Strain Relief
2	5100387	2	Lockwasher	13	5220621	1	Harness
3	5100970	2	Washer	14	5111197	2	Screw
4	5107584	1	Starter Socket	15	5607338	1	Ballast Housing
5	5102071	1	Strain Relief	16	5100565	1	Switch
6	5123229	1	Light Channel Harness	17	5185153	2	Screw
7	5123230	1	Ballast Harness	18	5102018	1	Starter
8	5102019	1	Ballast 15W	19	----	1	Lamp
9	5111198	2	Nut	20	----	2	Screw (furn. w/lampholder)
10	5100387	2	Lockwasher	21	5607340	1	Light Channel, 12"
11	5100970	2	Washer	22	5217544	2	Lampholder





ELECTRICAL SYSTEM COMPONENTS - (CONT'D)  
 OPTIONAL SUPERSTRUCTURE COMPONENTS - NFE/NCE/NFGE/NCGE  
 DWA End Superstructure Assembly



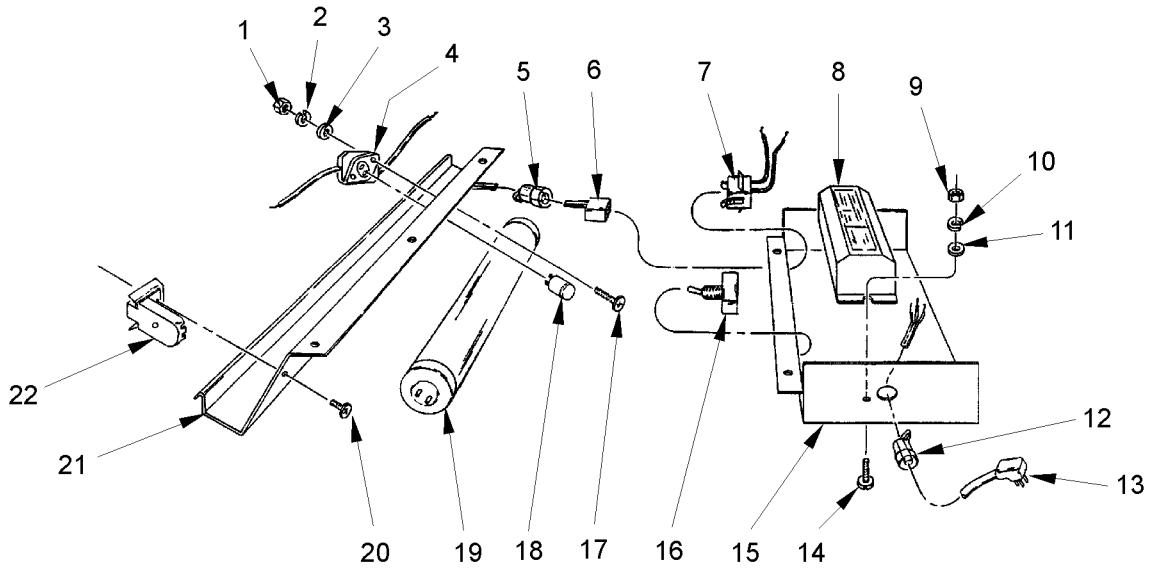
For Light and Ballast  
 Components - See  
 Next Page

End Merchandiser

Item	Part No.	Qty.	Description	Item	Part No.	Qty.	Description
*	<b>5028708</b>	<b>1</b>	<b>DWA End Superstructure Assy. w/ Double Shelf</b>	18	5236888	2	Card Molding, Side
1	5111030	6	Screw	19	5048626	2	Screw
2	5120943	4	Screw	20	5123231	2	Corner Cap, Card Molding
*	<b>5040471</b>	<b>1</b>	<b>15" End Shelf Bench Assy.</b>	21	5236897	1	Card Molding, Front
3	5025072	1	15" Shelf Weldment	22	5104957	3	Rivet
4	5123175	1	Wiring Race Ballast Cover	23	5040433	1	End Bracket Weld Assy.
	5619204	4	Screw	24	5619204	6	Screw
5	5236890	2	Card Molding, Side	*	<b>5025051</b>	<b>1</b>	<b>Heater Panel Bench Assy.</b>
6	5104957	4	Rivet (2 per side)	25	5123236	1	Heater Wire
7	5236904	1	Card Molding, Front		5057259	A/R	Aluminum Tape
8	5048626	2	Screw	26	5123138	1	Heater Panel
9	5123231	2	Corner Cap, Card Molding		5123249	1	Strain Relief
10	5607339	1	Light Channel	27	5145679	2	Wire Connector
11	5104957	3	Rivet	28	5106867	1	Wiring Harness
12	5619204	5	Screw	29	5124670	2	Screw, Headless
13	5040434	1	End Bracket Weld Assy.	30	5040440	1	LH Shelf Bracket, 12"
14	5040442	1	LH Shelf Bracket, 15"		5040439	1	RH Shelf Bracket, 12"
	5040441	1	RH Shelf Bracket, 15"	31	5120943	4	Screw
15	5124670	2	Screw, Headless	32	5124209	2	"Y" Harness
*	<b>5040470</b>	<b>1</b>	<b>12" End Shelf Bench Assy.</b>	33	5220500	1	Harness, Light
16	5025071	1	12" Shelf Weldment	34	5123211	1	Harness, Heater
17	5104957	4	Rivet	35	5193895	1	End Shelf Upright



ELECTRICAL SYSTEM COMPONENTS - (CONT'D)  
 OPTIONAL SUPERSTRUCTURE COMPONENTS - NFE/NCE/NFGE/NCGE  
 DWA End Superstructure 15" Shelf Light Channel Assembly

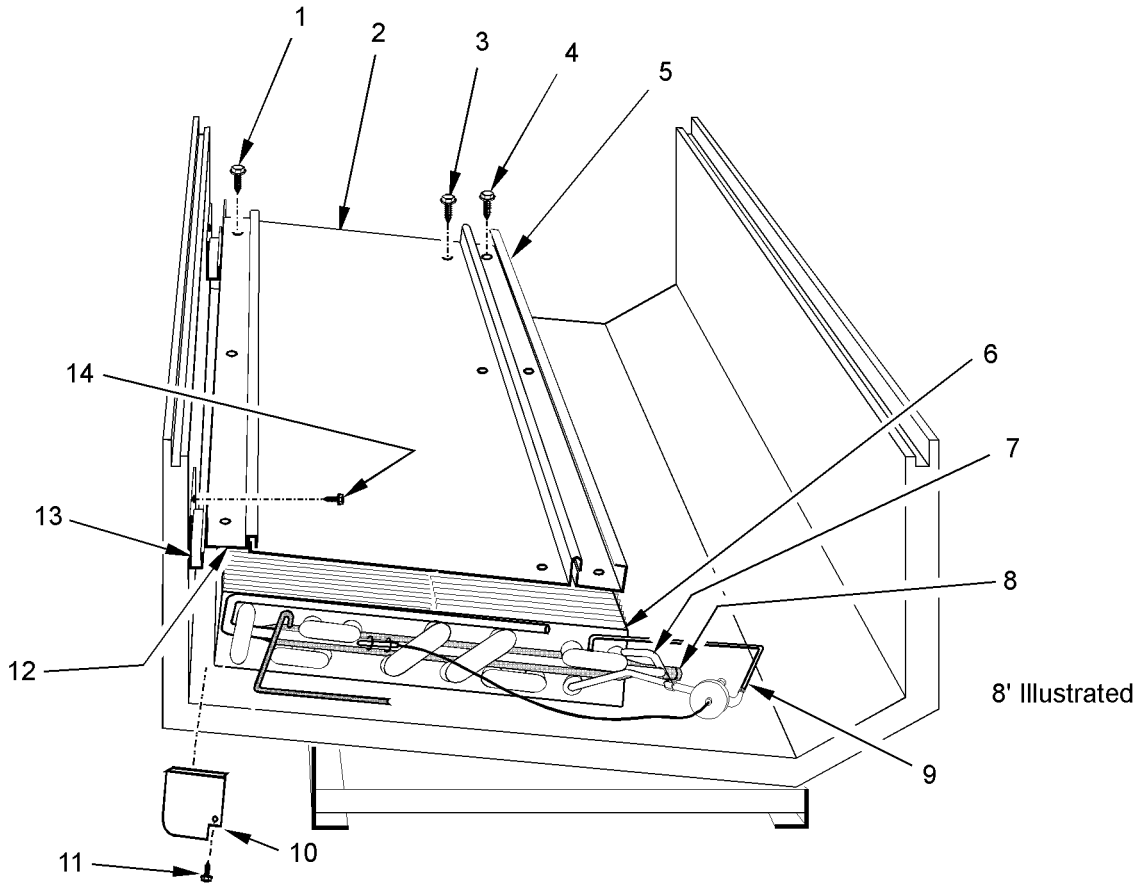


End Merchandiser

Item	Part No.	Qty.	Description	Item	Part No.	Qty.	Description
1	5111198	2	Nut	12	5123249	1	Strain Relief
2	5100387	2	Lockwasher	13	5220621	1	Harness
3	5100970	2	Washer	14	5111197	2	Screw
4	5107584	1	Starter Socket	15	5607338	1	Ballast Housing
5	5102071	1	Strain Relief	16	5100565	1	Switch
6	5123229	1	Light Channel Harness	17	5185153	2	Screw
7	5123230	1	Ballast Harness	18	5102018	1	Starter
8	5102019	1	Ballast 15W	19	-----	1	Lamp
9	5111198	2	Nut	20	-----	2	Screw (furn. w/lampholder)
10	5100387	2	Lockwasher	21	5607339	1	Light Channel, 15"
11	5100970	2	Washer	22	5217544	2	Lampholder



REFRIGERATION SYSTEM COMPONENTS  
 COIL ASSEMBLIES - NFN(G)/NCN(G)/NFB(G)/NCB(G)

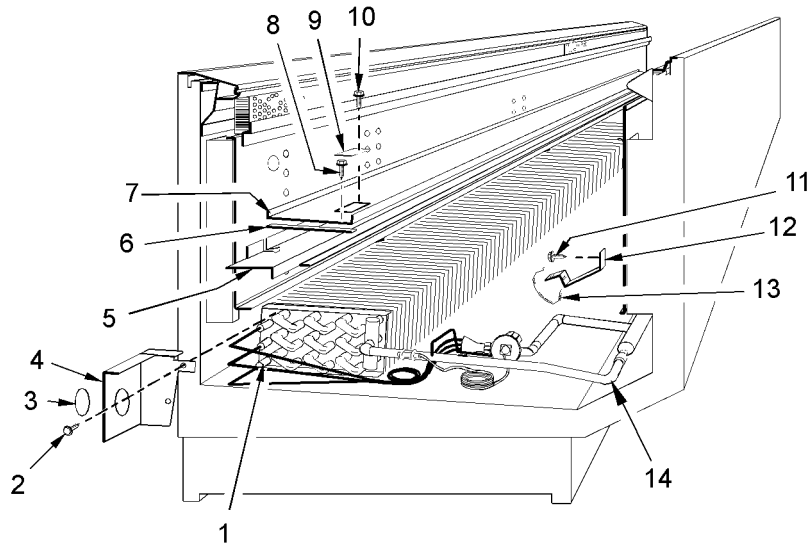


8' and 12' Merchandiser

Item	Part No.	Quantity		Description	Item	Part No.	Quantity		Description
		8'	12'				8'	12'	
1	5183536	3	4	Screw	8	5607405	1	1	Heat Exchanger
2	5185281	1	-	Coil Cover	9	5195144	1	1	Heat Exchanger to Exp. Valve Assy.
	5185282	-	1	Coil Cover					
3	5183536	3	4	Screw	10	5195244	1	1	LH Coil Close-off
4	5183536	3	4	Screw		5195243	1	1	RH Coil Close-off
5	5186469	1	-	Front Coil Close-off	11	5183536	2	2	Screw
	5186470	-	1	Front Coil Close-off	12	5186474	1	-	Rear Coil Close-off
6	5223258	1	-	Coil Assy.		5186475	-	1	Rear Coil Close-off
	5223259	-	1	Coil Assy.	13	5182036	1	1	LH End Duct Close-off
7	5195179	1	1	Suction Line		5182035	1	1	RH End Duct Close-off
	5223266	1	1	Access Valve Assy.	14	5183536	4	4	Screw
	5624902	1	1	Schrader Valve					



REFRIGERATION SYSTEM COMPONENTS - (CONT'D)  
 COIL ASSEMBLIES - NFE/NCE/NFGE/NCGE



End Merchandiser

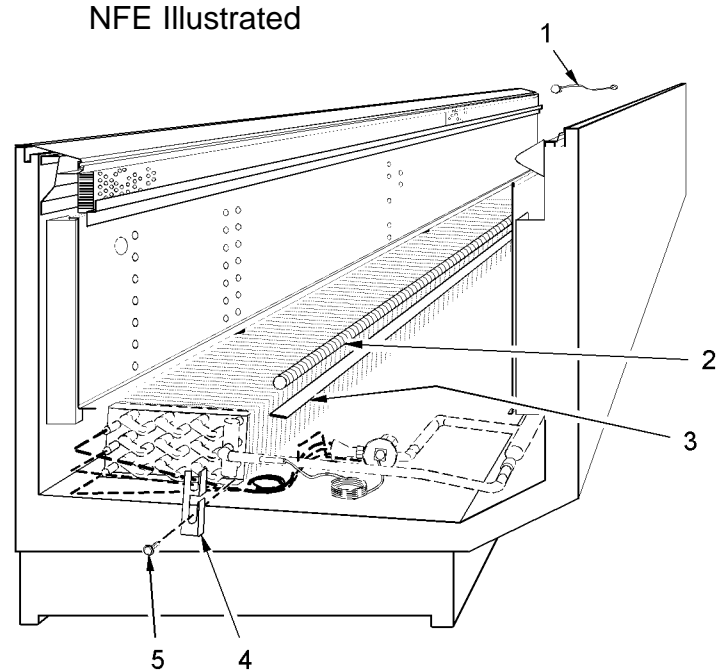
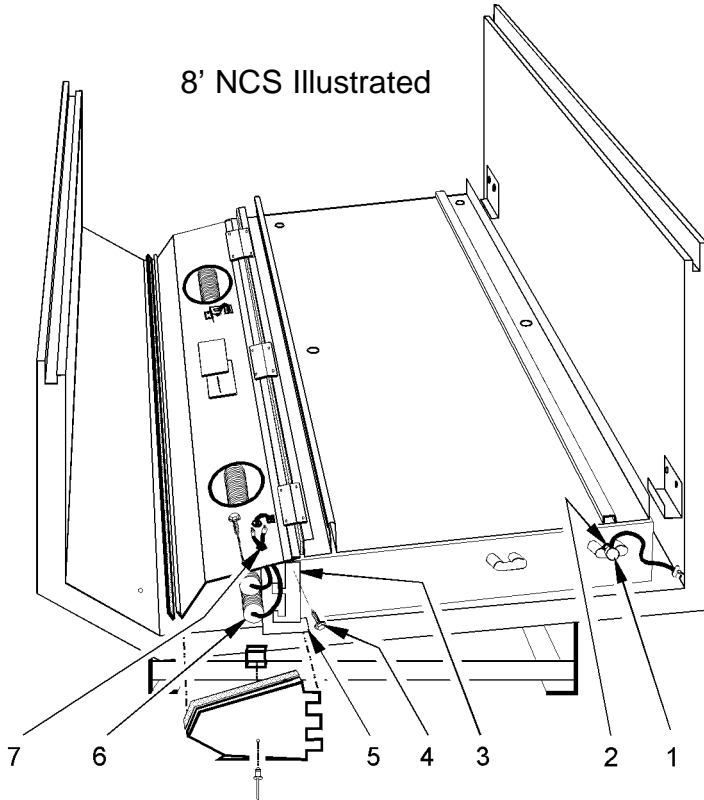
Item	Part No.	Qty.	Description	Item	Part No.	Qty.	Description
1	5963516	1	Coil & Fittings Assy.	9	5228183	2	Inspection Cover
2	5183536	4	Screw	10	5183536	4	Screw
3	5057656	1	Plug Button, 3"	11	5183536	1	Screw
4	5235359	1	LH Coil Close-off	12	5224014	1	Heat Exchanger Support
	5235358	1	RH Coil Close-off	13	5180826	1	Ty-Rap
5	5235405	1	Air Restrictor	14	5963514	1	Tubing Assy. (includes heat exchanger)
6	5107190	160"	Gasket, Ethofoam		5607405	1	Heat Exchanger
7	5963574	1	Coil Cover		5624902	1	Schrader Valve
8	5183536	4	Screw				



# REFRIGERATION SYSTEM COMPONENTS - (CONT'D) ELECTRIC DEFROST

NFN(G)/NCN(G)/NFB(G)/NCB(G)

NFE/NCE/NFGE/NCGE



**8' and 12' Merchandiser**

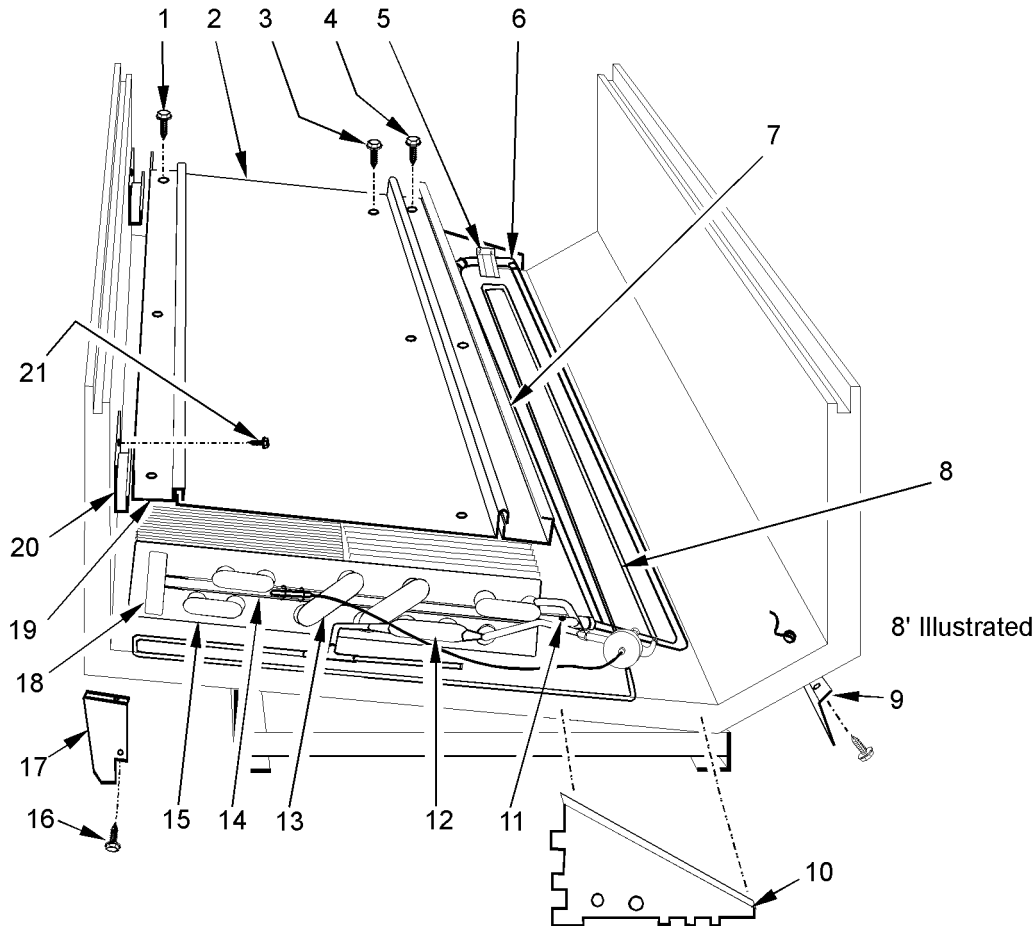
**End Merchandiser**

Item	Part No.	Quantity		Description
		8'	12'	
1	5125211	1	1	Klixon Thermostat, 50/30
2	5145098	1	1	Klixon Mounting Clip
3	5193739	3	4	Defrost Heater Support
4	5183536	6	8	Screw
5	5195657	1	-	Heater Shield
	5195658	-	1	Heater Shield
	5214669	A/R	A/R	Adhesive, Silaprene
6	5960934	1	-	Defrost Heater, 1430W (NFN(G)/NFB(G))
	5960935	-	1	Defrost Heater, 2145W (NFN(G)/NFB(G))
	5960934	2	-	Defrost Heater, 1430W (NCN(G)/NCB(G))
	5960935	-	2	Defrost Heater, 2145W (NCN(G)/NCB(G))
7	5123674	1	1	Strain Relief

Item	Part No.	Qty.	Description
1	5125211	1	Klixon Thermostat, 50/30
	5145098	1	Klixon Mounting Clip
2	5195710	1	Defrost Heater, 1788W (NFE/NFGE)
	5195710	2	Defrost Heater, 1788W (NCE/NCGE)
	5123674	1	Strain Relief
3	5963507	1	Heat Shield
	5214669	A/R	Adhesive, Silaprene
4	5193739	2	Defrost Heater Support
5	5183536	4	Screw



REFRIGERATION SYSTEM COMPONENTS - (CONT'D)  
 OPTIONAL HOT GAS DEFROST - NFN(G)/NCN(G)/NFB(G)/NCB(G)

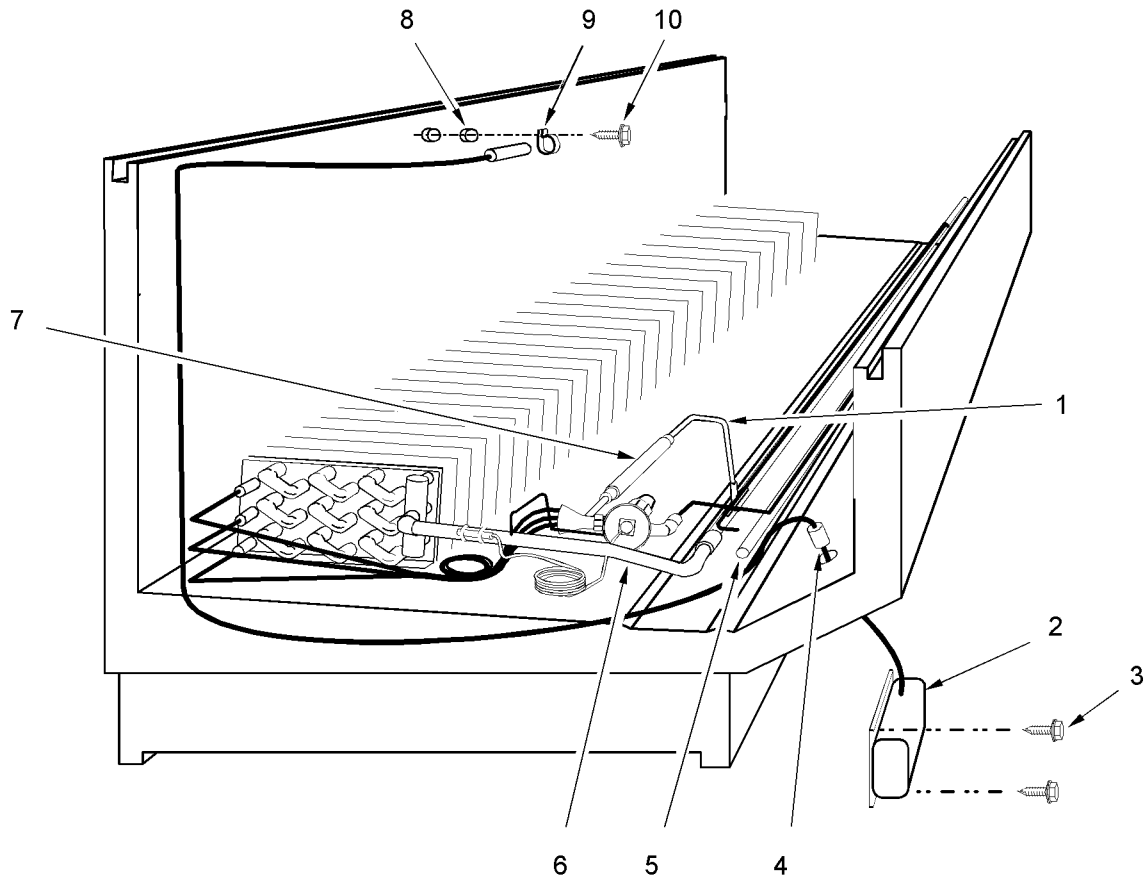


8' and 12' Merchandiser

Item	Part No.	Quantity		Description	Item	Part No.	Quantity		Description
		8'	12'				8'	12'	
1	5120943	3	4	Screw		5195245	1	1	Hot Gas Tubing Assy.
2	5185281	1	-	Coil Cover		5202323	1	1	Hot Gas Tubing
	5185282	-	1	Coil Cover	13	5191485	1	1	Manifold Assy.
3	5120943	3	4	Screw	14	5223642	1	1	Suction Line
4	5120943	3	4	Screw	15	5223227	1	-	Coil Assy.
5	5213351	1	1	Tube Holddown Clip		5223228	-	1	Coil Assy.
	5104702	2	2	Rivet		9023508	1	1	Klixon Therm. Term 55/40
6	5223215	1	-	Heat Exchanger		9023503	1	1	Klixon Therm Fan Delay-50/40
	5223216	-	1	Heat Exchanger	16	5183536	2	2	Screw
7	5186500	1	-	Front Coil Close-off	17	5195244	1	1	LH Rear Coil Close-off
	5186501	-	1	Front Coil Close-off		5195243	1	1	RH Rear Coil Close-off
8	5221317	1	1	Inlet Tubing to Heat Exchanger	18	5211701	1	1	Manifold Assy.
9	5215132	1	1	Mounting Bracket	19	5186502	1	-	Rear Coil Close-off
	5183536	8	8	Screw		5186503	-	1	Rear Coil Close-off
	9023508	1	1	Thermostat	20	5182036	1	1	LH End Duct Close-off
10	5223354	1	1	LH Fan Panel Close-off (HG only)		5182035	1	1	RH End Duct Close-off
	5223353	1	1	RH Fan Panel Close-off (HG only)	21	5120943	4	4	Screw
11	5624902	1	1	Access Valve	<b>Options</b>				
12	5233902	1	1	Kit, Check Valve	*	5221322	1	1	Hand Valve Assy.
	5200228	1	1	Check Valve - 1/2" OD		5620001	1	1	Hand Valve



REFRIGERATION SYSTEM COMPONENTS - (CONT'D)  
 OPTIONAL HOT GAS DEFROST - NFE/NCE/NFGE/NCGE

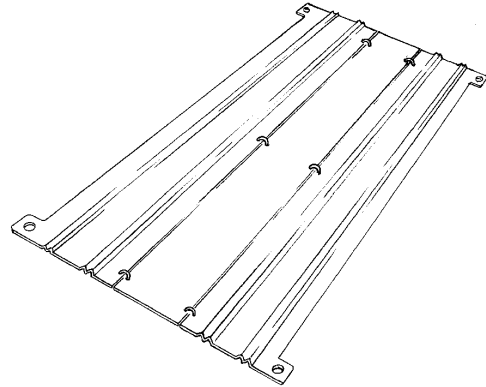
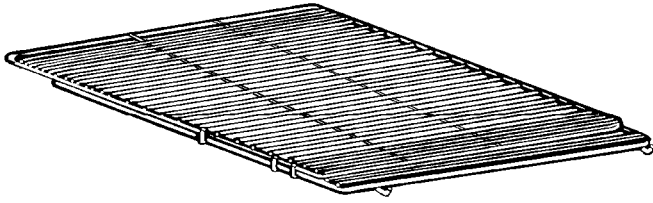


End Merchandiser

Item	Part No.	Qty.	Description	Item	Part No.	Qty.	Description
1	5228987	1	By-Pass Line	6	5624902	1	Schrader Valve
2	9023508	1	Klixon Thermostat, Defrost Termination-55/40	7	5200228	1	Check Valve
	9023503	1	Klixon Thermostat, Fan Delay-50/40	8	5127438	2	Spacer
3	5183536	4	Screw	9	5618785	1	Clamp
4	5198495	1	Plastic Pipe	10	5053985	1	Screw
	5149724	A/R	Silastic Sealer	<b>Options</b>			
5	5963524	1	Hot Gas Line Assy.	*	5959935	1	Hand Valve Assy.
	5240431	1	Suction Line Assy		5983959	1	Front Liquid Line Assy.
					5620001	1	Hand Valve



**OPTIONAL CASE ACCESSORIES  
SHELF SCREENS, SHELF DIVIDERS AND NITE COVER**

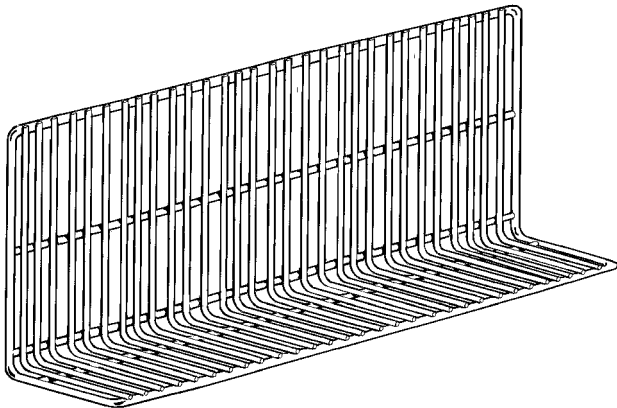


**Optional Telescoping Screen**

Item	Part No.	Quantity			Description
		8'	12'	End	
*	5202929	1	-	-	Telescoping Screen Set
*	5202930	-	1	-	Telescoping Screen Set
*	5028393	-	-	1	Telescoping Screen Set
-	5199443	4	6	-	Telescoping Screen
-	5606170	-	-	3	Telescoping Screen

**Optional Nite Cover**

Item	Part No.	Quantity		Description
		8'	12'	
*	5028965	1	-	Nite Cover Set
*	5028966	-	1	Nite Cover Set
-	5208185	2	3	Nite Cover



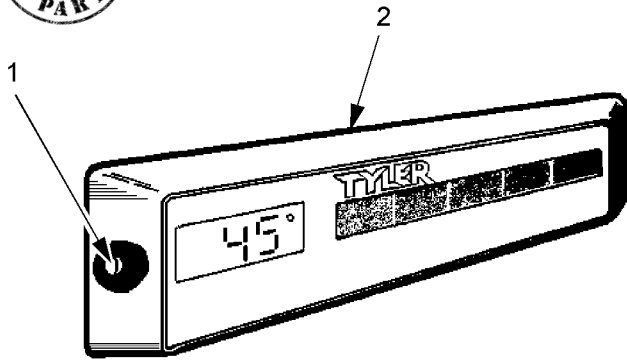
**Optional "L" Wire Divider**

Item	Part No.	Quantity			Description
		8'	12'	End	
*	5208303	-	-	1	"L" Wire Divider Set
*	5208304	1	-	-	"L" Wire Divider Set
*	5208305	-	1	-	"L" Wire Divider Set
-	5208276	4	6	3	"L" Wire Divider



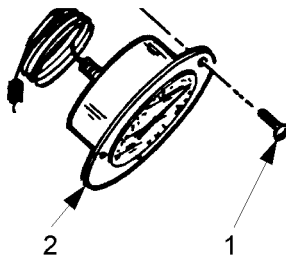


# OPTIONAL CASE ACCESSORIES - (CONT'D) THERMOMETERS



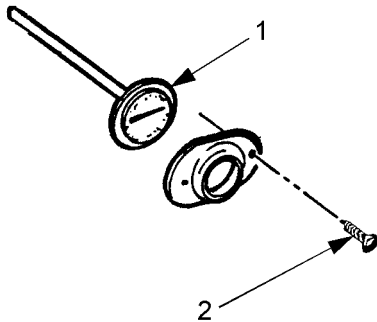
## Digital Solar Thermometer

Item	Part No.	Qty.	Description
*	5230914	1	Digital Thermometer Assy., F°
*	5991560	1	Digital Thermometer Assy., C°
1	5230884	2	Screw
2	5239500	1	Digital Thermometer, F°
	5239501	1	Digital Thermometer, C°



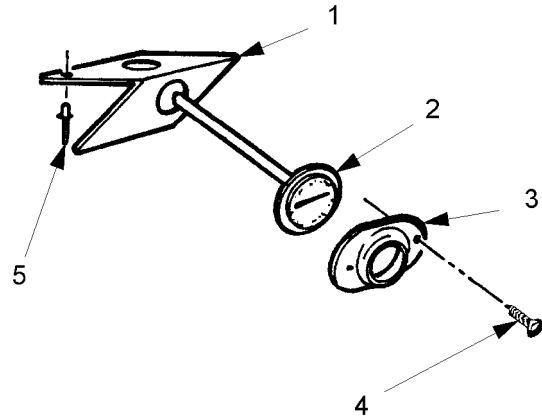
## 2" Dial Thermometer, Front Mount

Item	Part No.	Qty.	Description
*	5189909	1	Thermometer Assy.
1	5199134	3	Screw
2	5204006	1	2" Dial Thermometer



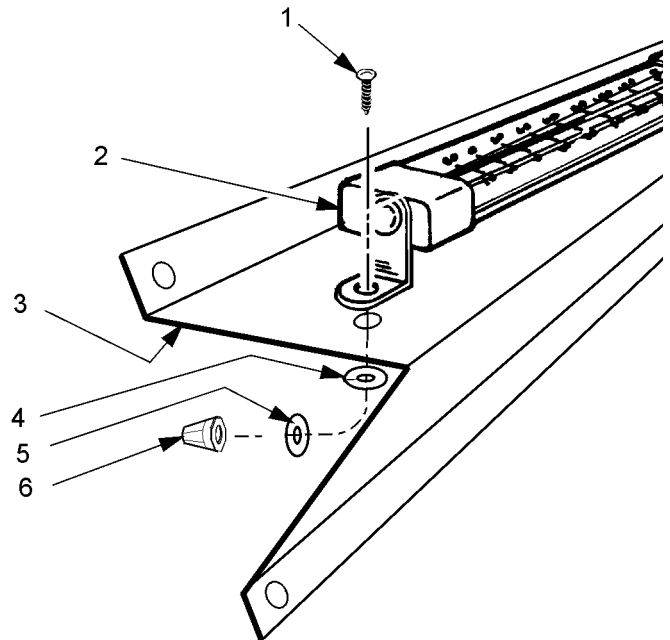
## 1" Dial Thermometer, Discharge

Item	Part No.	Qty.	Description
*	5223092	1	Thermometer Assy. (LCGE)
*	5196030	1	Thermometer Assy.
1	5222970	1	1" Dial Thermometer w/Ring (LCGE)
	5203829	1	1" Dial Thermometer w/Ring
2	5219883	2	Screw



## 1" Dial Thermometer, Return Air

Item	Part No.	Qty.	Description
*	5028989	1	Thermometer Assy
1	5204471	1	Thermometer Support
2	5203829	1	1" Dial Thermometer
3	----	1	Mounting Ring (furnished with thermometer)
4	5319883	2	Screw
5	5104702	2	Rivet



## Standard Case Thermometer

Item	Part No.	Qty.	Description
*	9311587	1	Thermometer Assembly
1	9311125	2	Screw
1	9311125	2	Screw
2	5967100	1	Thermometer
3	9311239	1	Bracket
4	5103997	2	Lock Washer
5	5243597	2	Flat Washer
6	5223244	2	Acorn Nut