

NFWX, NCWX, NFWGX, and NFWEX island merchandisers provide a wide 54" depth for the maximizing of merchandising space. The NFWX and NFWGX islands are designed to display frozen food or medium temperature products, while the NCWX contains extra insulation that can handle ice cream products. The NFWEX end case completes large island configurations.



Model NFWX shown.



Features & Benefits

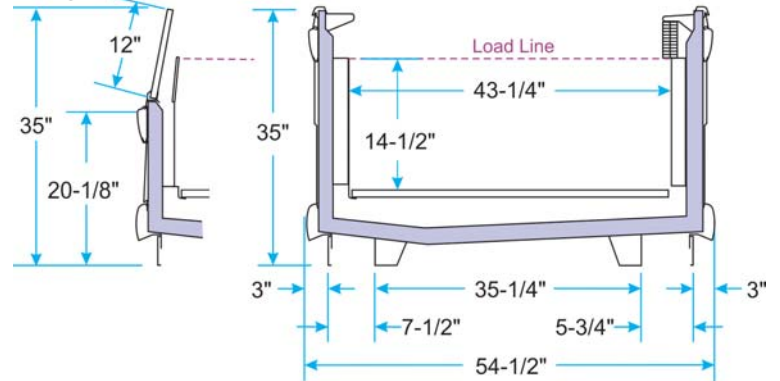
- Energy-efficient copper tube and aluminum fin coils.
- The NFWGX has 12" clear front glass that enhances product visibility.
- Durable, non-metallic corner protectors are available in colors to match bumpers.
- Solid steel base adds strength and durability.
- Easily removable interior components for quicker cleaning.
- Fan assembly design allows access to coil and drain pan.
- Labeled plug-n-play wiring speeds installation and setup.
- Electric defrost.

Options

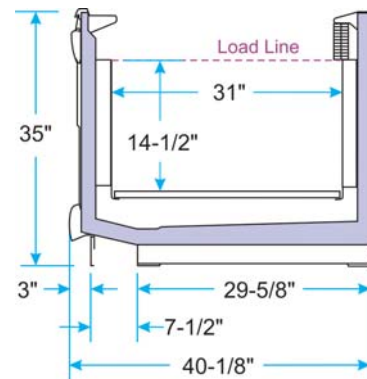
- ECM fan motors for additional energy savings.
- Adjustable white powder-coated display screens enhance product presentation.
- Dual-temperature and medium temperature applications are available.
- Wrap-around ends with durable non-metallic corner protectors.
- Gas defrost.

Specifications are subject to engineering changes without notice.

NFWX
NCWX
NFWGX

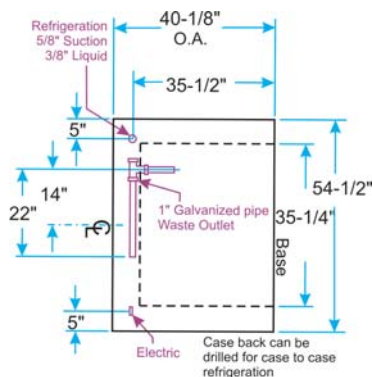


NFWEX



Model	Case Length	Description	Capacity in Cubic Feet
NFWX	8' • 12'	Solid Front Frozen Food Wide Island, standard coil	34.8 • 52.3
NFWGX	8' • 12'	Glass Front Frozen Food Wide Island, standard coil	34.8 • 52.3
NCWX	8' • 12'	Solid Front Ice Cream Wide Island, standard coil	34.8 • 52.3
NFWEX	54-1/2"	Solid Front Frozen Food Island End, standard coil	11.5

NFWEX



NFWX
NCWX
NFWGX

