

SPECIFICATION SHEET

• NP TOP DISPLAY BULK PRODUCE WEDGE MERCHANDISERS •

Refrigeration Data:

MODEL	CASE LENGTH	CASE USAGE	CAPACITY (BTUH / CASE)		EVAPORATOR (°F)	UNIT SIZING (°F)	DISCHARGE AIR		AVG. REF. CHARGE (LBS/CASE)
			PARALLEL	CONVENTIONAL			TEMPERATURE (°F)	VELOCITY (FPM)	
NP45IS	43-15/16"	BULK PRODUCE	1,284*	1,401*	+20**	+18	+34	N/A***	1.84
NP45OS	51-5/16"	BULK PRODUCE	1,177*	1,284*	+20**	+18	+34	N/A***	1.53
NP90OS	80-11/16"	BULK PRODUCE	1,834*	2,001*	+20**	+18	+34	N/A***	1.84

* For sizing all refrigeration equipment other than TYLER, use conventional BTUH values.

** Evaporator temperature is based on the saturated pressure leaving the case.

*** Air velocity measured 1 hour after defrost at the top discharge air duct using an ALNOR JR. velometer with a scoop.

FOR SPECIFIC COMPRESSOR SIZING INFORMATION, REFER TO TYLER APPLICATIONS FOR RACK SYSTEM COMPRESSORS AND/OR THE COMPRESSOR MANUFACTURERS FOR SINGLE COMPRESSORS. FOR LINE SIZING INFORMATION, REFER TO THE MISCELLANEOUS SECTION "BUFF" IN THE TYLER SPECIFICATION GUIDE.

Electrical Data:

Fans and Heaters (120 Volt)

MODEL	CASE LENGTH	FANS / CASE	TOTAL STANDARD FANS		TOTAL ECM FANS		TOTAL ANTI-SWEATS	
			AMPS	WATTS	AMPS	WATTS	AMPS	WATTS
NP45IS	43-15/16"	1	0.34	30.2	N/A	N/A	N/A	N/A
NP45OS	51-5/16"	1	0.34	30.2	N/A	N/A	N/A	N/A
NP90OS	80-11/16"	2	0.68	60.4	N/A	N/A	N/A	N/A

Defrost Data:

DEFROST TYPE*	DEFROSTS PER DAY	DURATION TIME (MIN)	TERMINATION (°F)	EPR SETTINGS *		DEFROST WATER (LB / DAY)
				R22 (PSIG)	R404A (PSIG)	
TIME OFF	3	40	- - -	43	56	N/A

* Set EPR to give this pressure at the case.

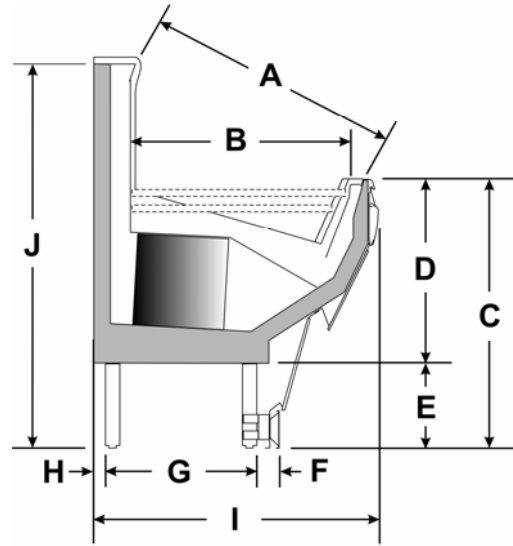
CASE CIRCUITS: This case requires a 120V circuit for fans.

UL SANITATION approved in accordance with ANSI/NSF - 7.

CASE BTUH REQUIREMENTS are calculated to produce approximately the indicated entering-air temperature with absolute maximum operating ambient limits of **75°F & 55RH**.

The information contained herein is based on technical analysis and/or tests performed in a controlled lab environment that are consistent with industry practices, and is intended as a reference for system sizing and configuration purposes only and for use by persons having technical skill at their own discretion and risk. Conditions of use are outside of Tyler's control and we do not assume and hereby disclaim any liability for results obtained or damages incurred through application of or reliance on the data presented, including but not limited to specific energy consumption with any particular model or installed application. SPECIFICATIONS ARE SUBJECT TO CHANGE WITHOUT NOTICE.

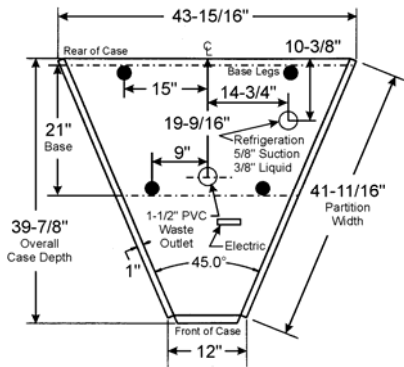
NP PRODUCE WEDGE CROSS SECTION



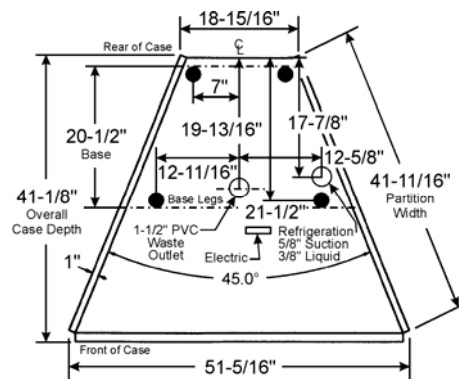
Dimensional Specifications:

MODEL	A	B	C	D	E	F	G	H	I	J
NP45IS	35-3/8"	31"	31"	21"	10"	3"	21"	1-1/2"	39-7/8"	43"
N4P45OS	40-3/8"	34-1/8"	31"	21"	10"	3"	20-1/2"	1-1/2"	41-1/8"	43"
NP90OS	27"	20-3/4"	31"	21"	10"	3"	15-1/4"	1-1/2"	31- 1/2"	43"

NP45IS FLOOR PLAN



NP45OS FLOOR PLAN



NP90OS FLOOR PLAN

