

# Bulk Produce Island Merchandisers



NPW, NPWD, NPWE, NPWE, NPWEE. NPWDEE, NPE, NPDE

The NPW family of island merchandisers offer several different island variations that allow flexible options for the bulk produce department layout. Tyler also offers the NPWD family merchandisers for live markets and other situations where non-refrigerated display of bulk produce is necessary or desired.

### Features & Benefits

- ♦ Energy-efficient copper tube and aluminum fin coils.
- ♦ Adjustable white powder-coated display screens enhance product presentation.
- ♦ Solid steel base adds strength and durability.
- ♦ Easily removable interior components enhance ease of sanitation.
- ♦ Center fan assembly design allows access to coils.
- ♦ Off-cycle defrost.

### Options

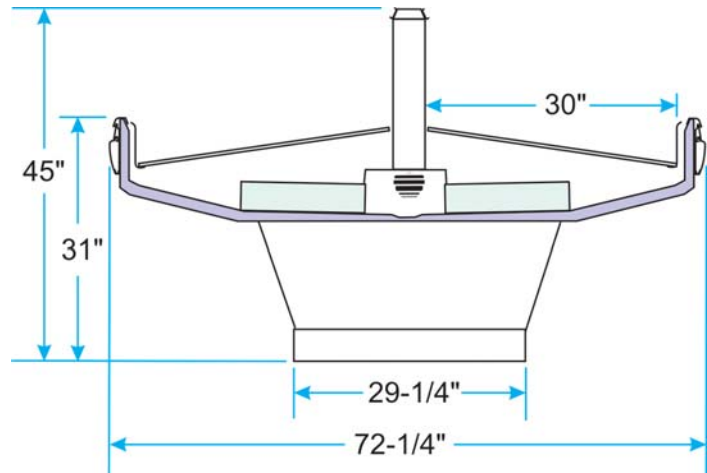
- ♦ ECM fan motors for additional energy savings.
- ♦ White powder coated step screens, fences, bag holders, water spray hoses and scale hanger.

Specifications are subject to engineering changes without notice.



Model NPWEE shown

NPW, NPWD  
NPWE, NPWDE  
NPWEE, NPWDEE



Model	Case Length	Description	Capacity in Cubic Feet
NPW / NPWD	8' • 12'	Center Bulk Produce Island, standard coils / no coils	40.0 • 60.0
NPWE / NPWDE	6' • 8' • 12'	Bulk Produce Island w/ 1 End, standard coils / no coils	30.0 • 40.0 • 60.0
NPWEE / NPWDEE	8' • 10' • 12' • 16'	Bulk Produce Island w/ 2 Ends, standard coils / no coils	40.0 • 50.0 • 60.0 • 80.0
NPE / NPDE	37"	Bulk Produce Island End, standard coil / no coils	15.0

