

TYLER

REFRIGERATION



Carrier

A United Technologies Company

A^{series} Advantage

Installation & Service Manual



NPW, NPWE, NPWEE, NPE, NPWD, NPWDE, NPWDEE, NPDE

**ISLAND BULK PRODUCE & CHEESE MERCHANDISERS
Medium Temperature & Non-Refrigerated Self-Serve Display Cases**

**This manual has been designed to be used in conjunction with the
General (UL/NSF) Installation & Service Manual.**

Save the Instructions in Both Manuals for Future Reference!!

This merchandiser conforms to the American National Standard Institute & NSF International Health and Sanitation standard ANSI/NSF 7 - 2003.

PRINTED IN IN U.S.A.	Specifications subject to change without notice.	REPLACES EDITION	12/05	ISSUE DATE	4/08	PART NO.	9037156	REV.	B
-------------------------	---	---------------------	-------	---------------	------	-------------	---------	------	---

CONTENTS

	<u>Page</u>
Specifications	
NPW, NPWE, NPWEE, NPE Specification Sheets	4
Line Sizing Requirements (See General-UL/NSF I&S Manual)	
Pre-Installation Responsibilities (See General-UL/NSF I&S Manual)	
Installation Procedures	
Carpentry Procedures	7
Case Pull-Up Locations	7
Plexiglas Divider	7
Trim Installation/Alignment (See General-UL/NSF I&S Manual)	
Plumbing Procedures (See General-UL/NSF I&S Manual)	
Refrigeration Procedures (See General-UL/NSF I&S Manual)	
Electrical Procedures	7
Electrical Considerations	7
Defrost Information	7
Defrost Control Chart	7
Installation Procedure Check Lists (See General-UL/NSF I&S Man.)	
Wiring Diagrams	8
NPW/NPWE/NPWEE Domestic & Export (50Hz) Case Circuits	8
NPE Domestic & Export (50Hz) End Case Circuits	9
Cleaning and Sanitation (See General-UL/NSF I&S Manual)	
Component Removal and Installation Instructions for Cleaning	10
Screens	10
Bottom Trays	10
Perimeter Air Ducts	10
NSF Product Thermometer	10
Rear and End Duct Panels	10
Perimeter Cladding	10
Base Side and Base End Panels	10
General Information	
NSF Product Thermometer Installation	10
Water Spray Accessories	11
Produce Handling Tips	12
Produce Handling Chart	12

	<u>Page</u>
Service Instructions	
Preventive Maintenance (See General-UL/NSF I&S Manual)	
Corner Trim Replacement	14
Fan Blade and Motor Replacement	14
Anti-Sweat Replacement	15
Color Band & Bumper Replacement (See Gen.-UL/NSF I&S Man.)	
Parts Information	
Cladding and Optional Trim Parts Lists	16
NPW/NPWD	16
NPWE/NPWDE	18
NPWEE/NPWDEE	20
NPE/NPDE	22
Operational Parts List	24
TYLER Warranty (See General-UL/NSF I&S Manual)	

The following Medium Temperature and Non-Refrigerated Bulk Produce and Cheese Merchandiser models are covered in this manual:

MODEL	DESCRIPTION
NPW	8' & 12' ISLAND REFRIGERATED BULK PRODUCE/CHEESE MERCHANDISERS
NPWE	6', 8' & 12' ISLAND REFRIGERATED BULK PRODUCE/CHEESE MERCHANDISERS WITH ONE SHOP-AROUND END
NPWEE	8', 10', 12' & 16' ISLAND REFRIGERATED BULK PRODUCE/CHEESE MERCHANDISERS WITH TWO SHOP-AROUND ENDS
NPE	ISLAND END CASE REFRIGERATED BULK PRODUCE/CHEESE MERCHANDISER
NPWD	8' & 12' NON-REFRIGERATED ISLAND BULK PRODUCE/CHEESE MERCHANDISERS
NPWDE	6', 8' & 12' NON-REFRIGERATED ISLAND BULK PRODUCE/CHEESE MERCHANDISERS WITH ONE SHOP-AROUND END
NPWDEE	8', 10', 12' & 16' NON-REFRIGERATED ISLAND BULK PRODUCE/CHEESE MERCHANDISERS WITH TWO SHOP-AROUND ENDS
NPDE	NON-REFRIGERATED ISLAND END CASE BULK PRODUCE/CHEESE MERCHANDISER

SPECIFICATIONS

NPW/NPWE/NPWE/NPE Island Bulk Produce & Cheese Merchandisers

Refrigeration Data:

MODEL	CASE LENGTH	CASE USAGE	CAPACITY (BTUH / FT)		EVAPORATOR (°F)	UNIT SIZING (°F)	DISCHARGE AIR		AVG. REF. CHARGE (LBS/FT)
			PARALLEL	CONVENTIONAL			TEMPERATURE (°F)	VELOCITY (FPM)	
NPW	8'/12'	BULK PROD.	776*	810*	+20**	+18	+35	175***	0.51
NPWE	6'/8'/12'	BULK PROD.	878*	916*	+20**	+18	+35	175***	0.47
NPWEE	8'/10'/12'/16'	BULK PROD.	981*	1,024*	+20**	+18	+35	175***	0.63
NPE	3' End	BULK PROD.	1,255/case*	1,310/case*	+20**	+18	+35	290***	0.40

* For sizing all refrigeration equipment other than TYLER, use conventional BTUH values.
 ** Evaporator temperature is defined as the saturated pressure leaving the case.
 *** Air velocity measured 1 hour after defrost at the center riser discharge air duct using an ALNOR JR. velometer with a scoop.

Use the NMW/NMWE/NMWE cases for critical temp applications.

FOR SPECIFIC COMPRESSOR SIZING INFORMATION, REFER TO TYLER APPLICATIONS FOR RACK SYSTEM COMPRESSORS AND/OR THE COMPRESSOR MANUFACTURERS FOR SINGLE COMPRESSORS. FOR LINE SIZING INFORMATION, REFER TO THE MISCELLANEOUS SECTION "BUFF" IN THE TYLER SPECIFICATION GUIDE.

Electrical Data:

Fans and Heaters (120 Volt)

MODEL	CASE LENGTH	FANS / CASE	TOTAL STANDARD FANS		TOTAL ECM FANS		TOTAL ANTI-SWEATS (120V)	
			AMPS	WATTS	AMPS	WATTS	DISCHARGE AIR AMPS	WATTS
NPW	8'	2	0.68	60.4	0.44	22.0	N/A	N/A
NPW	12'	3	1.02	90.6	0.66	33.0	N/A	N/A
NPWE	6'/8'	2	0.68	60.4	0.44	22.0	N/A	N/A
NPWE	12'	3	1.02	90.6	0.66	33.0	N/A	N/A
NPWEE	8'/10'/12'	3	1.02	90.6	0.66	33.0	N/A	N/A
NPWEE	16'	4	1.36	120.8	0.88	44.0	N/A	N/A
NPE	3'	1	0.34	30.2	0.22	11.0	0.22	27.0

Defrost Data:

DEFROST TYPE*	DEFROSTS PER DAY	DURATION TIME (MIN)	TERMINATION (°F)	EPR SETTINGS *		DEFROST WATER (LB / FT / DAY)			
				R22 (PSIG)	R404A (PSIG)	NPW	NPWE	NPWEE	NPE
TIME OFF	1	60	- - -	43	56	N/A	N/A	N/A	N/A

Set EPR to give this pressure at the case.

MODEL	CASE-TO-CASE SUCTION LINE SUB-FEED BRANCH LINE SIZING														
	3'	6'	8'	10'	12'	14'	16'	18'	20'	24'	28'	32'	36'	40'	44'
NPW	N/A	N/A	1/2"	N/A	5/8"	N/A	N/A	N/A	N/A	N/A	N/A	N/A	N/A	N/A	N/A
NPWE	N/A	1/2"	5/8"	N/A	5/8"	N/A	N/A	N/A	N/A	N/A	N/A	N/A	N/A	N/A	N/A
NPWEE	N/A	N/A	5/8"	N/A	7/8"	7/8"	7/8"	7/8"	7/8"	7/8"	7/8"	7/8"	1-1/8"	1-1/8"	1-1/8"
NPE	1/2"	N/A	N/A	N/A	N/A	N/A	N/A	N/A	N/A	N/A	N/A	N/A	N/A	N/A	N/A

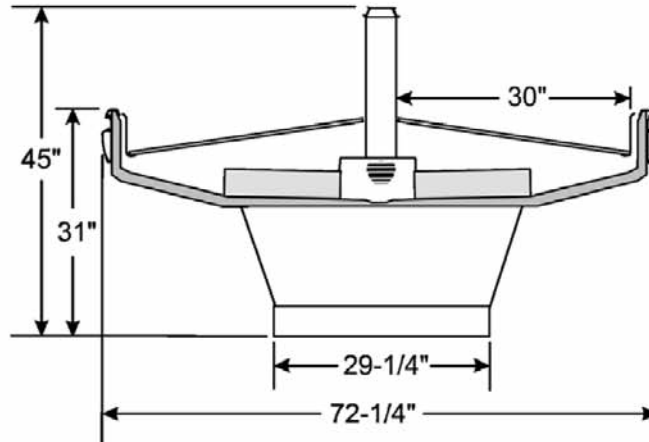
UL SANITATION approved in accordance with ANSI/NSF – 7.

CASE BTUH REQUIREMENTS are calculated to produce approximately the indicated entering-air temperature with absolute maximum operating ambient limits of 75°F & 55RH.

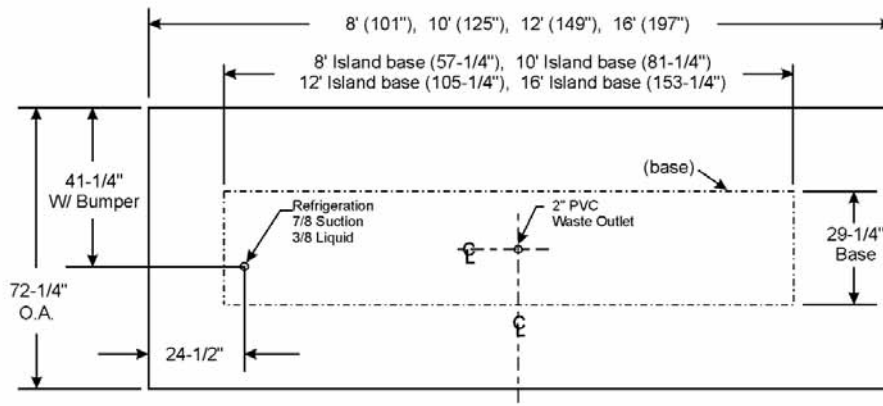
The information contained herein is based on technical analysis and/or tests performed in a controlled lab environment that are consistent with industry practices, and is intended as a reference for system sizing and configuration purposes only and for use by persons having technical skill at their own discretion and risk. Conditions of use are outside of Tyler's control and we do not assume and hereby disclaim any liability for results obtained or damages incurred through application of or reliance on the data presented, including but not limited to specific energy consumption with any particular model or installed application. SPECIFICATIONS ARE SUBJECT TO CHANGE WITHOUT NOTICE.



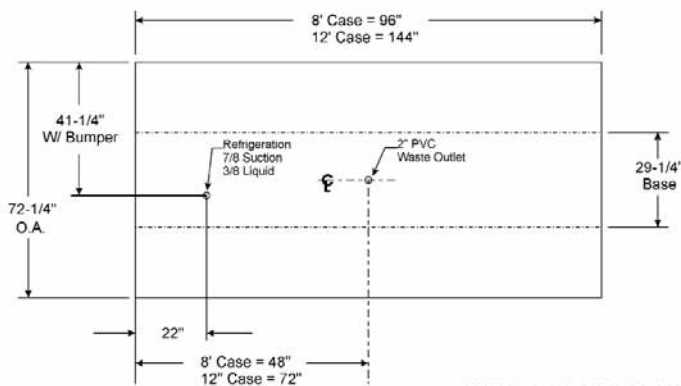
NPW/NPWE/NPWE CROSS SECTION



NPWE 8/10/12/16 FLOOR PLAN

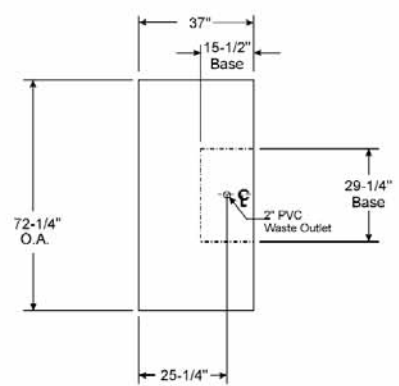


NPW 8/12 FLOOR PLAN

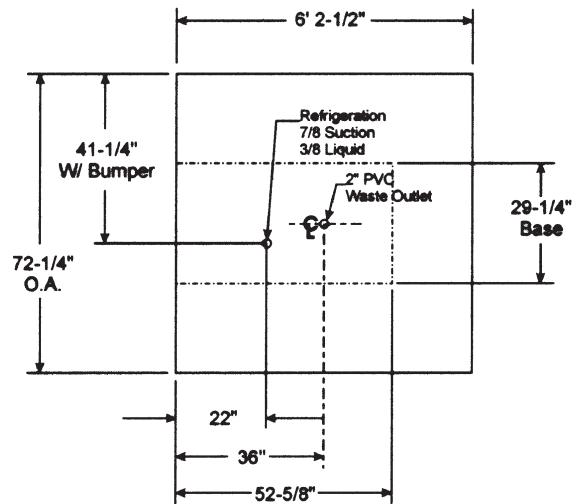


NPWE 6 FLOOR PLAN

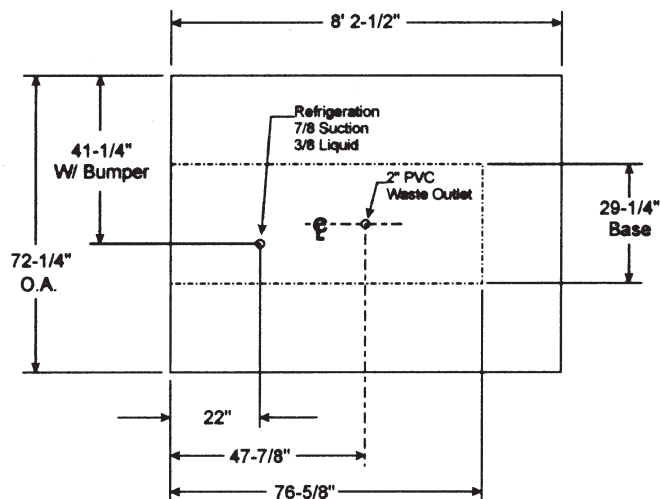
NPE FLOOR PLAN



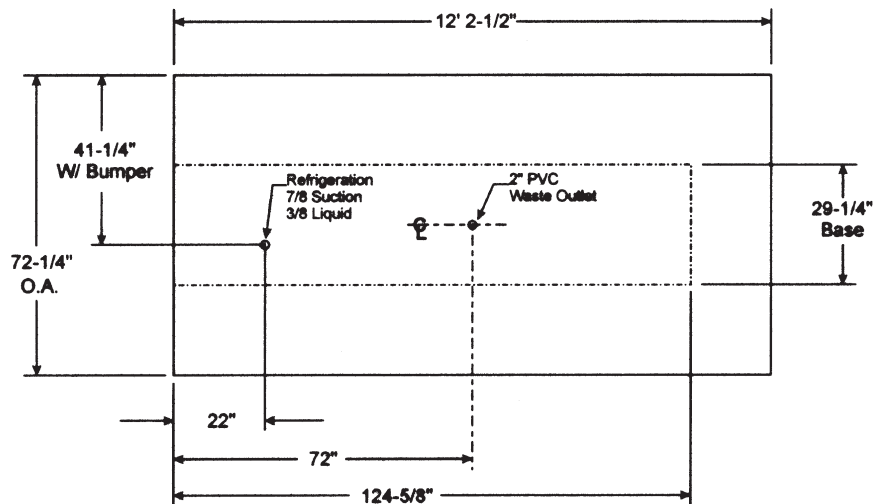
NPWE 6 FLOOR PLAN



NPWE 8 FLOOR PLAN



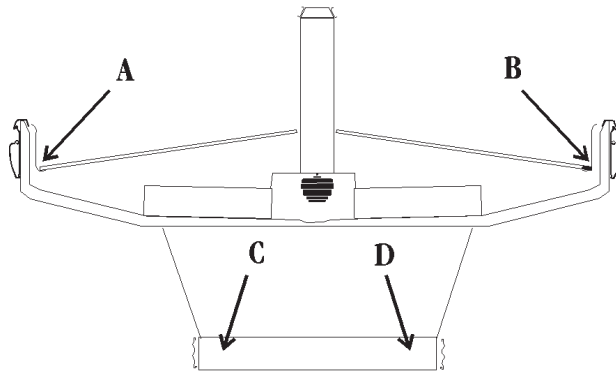
NPWE 12 FLOOR PLAN



INSTALLATION PROCEDURES

Carpentry Procedures

Case Pull-Up Locations



The NPWEE and NPWDEE models do not have any open ends, therefore no pull-ups are required. All other NPW models have four pull-ups at each open end of the case. Pull-ups A, B, C and D are located as shown and used for joining end cases. All pull-ups should be installed and tightened starting with A and finishing with D.

See “General-UL/NSF I&S Manual” for line-up assembly and color band & bumper installation instructions.

After all case pull-ups have been secured, install the bottom trays and the case screens.

Plexiglas Divider

A plexiglas divider is required between refrigerated and non-refrigerated case sections and/or end cases. Brackets mount on both sides of the each divider bottom. The dividers rest on top of the joint covers where the cases are joined.

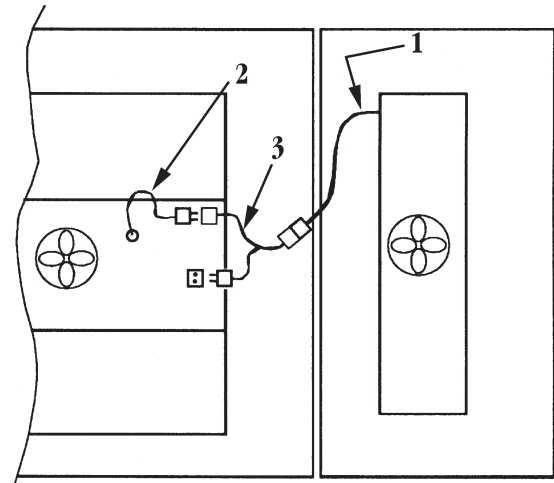
Electrical Procedures

Electrical Considerations

CAUTION

Make sure all electrical connections at components and terminal blocks are tight. This prevents burning of electrical terminals and/or premature component failure.

Case Fan Circuit



This circuit is to be supplied by an uninterrupted, protected 120V circuit. The case fan circuit is not cycled. To connect an NPE fan circuit (1) to an NPW or NPWE fan circuit (2), install a “Y” harness (3) between fan panels as shown.

Anti-Sweat Circuit

NPE cases have one anti-sweat heater in each end discharge air grid. Anti-sweat heaters are wired directly to the main power supply so it can operate at all times.

Defrost Information

See “General-UL/NSF I&S Manual” for operational descriptions for each type of defrost control.

Defrost Control Chart

Defrost Type	Defrosts Per Day	Defrost Duration (Min)	Term. Temp.
Off Time	1	60	-----

WIRING DIAGRAMS

ELECTRICIAN NOTE - OVERCURRENT PROTECTION

120V circuits should be protected by 15 or 20 Amp devices per the requirements noted on the cabinet nameplate or the National Electrical Code, Canadian Electrical Code - Part 1, Section 28. 208V defrost circuits employ No. 12 AWG field wire leads for field connections. On remote cases intended for end to end line-ups, bonding for ground may rely upon the pull-up bolts.

CLEANING AND SANITATION

Component Removal and Installation Instructions for Cleaning

Screens

1. Remove product from screens.
2. Push screens up until bottom screen tabs clear the holes in the front duct.
3. Remove screens from holes in rear duct panels and from case.
4. After cleaning, replace in reverse order.

Bottom Trays

1. Remove product and screens from case. See this page.
2. Grasp and lift out each of the bottom trays from the case interior.
3. After cleaning, replace in reverse order.

Perimeter Air Ducts

1. Remove screens and bottom trays, see this page.
2. Lift out perimeter air duct sections and carefully remove from case.
3. After cleaning, replace in reverse order.

NSF Product Thermometer

Remove two screws and product thermometer/bracket assembly from end left side perimeter air duct section. After cleaning, replace product thermometer/bracket assembly and secure with two screws.

NOTE

The product thermometer must always be located at the end on the left side of the case.

Rear and End Discharge Duct Panels

1. Remove product, screens and bottom trays, see this page.
2. Remove all mounting screws and rear and end discharge duct panels from case.
3. After cleaning, replace in reverse order.

Perimeter Cladding

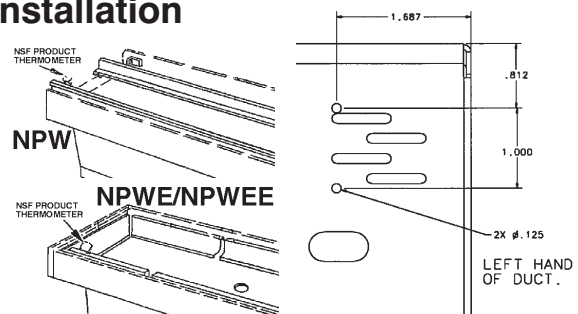
1. Remove all mounting screws, upper cladding joint trims and lower corner trim assemblies. from case.
2. Remove mounting screws and bumper corner trim from case corners.
3. Remove color bands, bumpers and hand rail/bumper retainers from case. See "General-UL/NSF I&S Manual".
4. Remove mounting screws and front cladding from sides of case.
5. Remove mounting screws and end cladding from case ends.
6. After cleaning, replace in reverse order.

Base Side and Base End Panels

1. Remove all mounting screws lower base joint trim from case.
2. Remove all mounting screws and base side panels from sides of case.
3. Remove all mounting screws and base end panels from case ends.
4. After cleaning, replace in reverse order.

GENERAL INFORMATION

NSF Product Thermometer Installation



1. Remove end perimeter air duct section from left side of case.
2. Measure and mark removed air duct section as shown.
3. Drill two .125" holes at marked locations.
4. Install product thermometer/bracket assembly on air duct section with two screws.

Water Spray Accessories

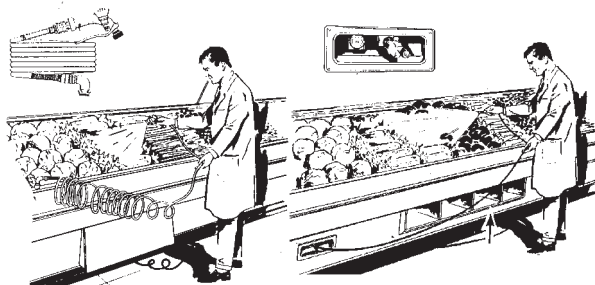
WARNING

When using water spray accessories it may be necessary to install approved anti-backflow devices in the water supply line. Local codes should be checked in this regards. Installation of this device is the responsibility of the end user and would be performed by plumbers.

CAUTION

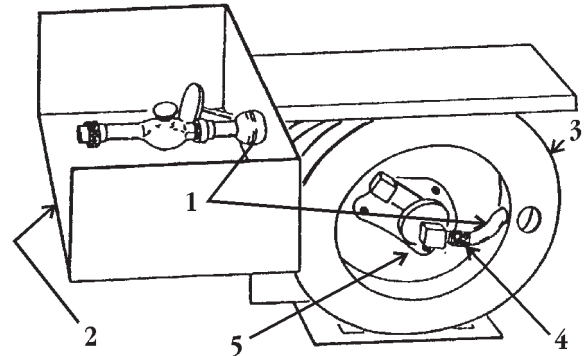
Do not spray lighted shelves when using any water spray accessories. Moisture on light fixtures could cause an electrical short and/or damage the case operating system.

The water supply pressure should not exceed 45 lb to assure proper operation. Water supply pressures above 45 lb should use a pressure reducing valve.



The spring coil spray hose or retractable spray hose are the two manual systems available for produce cases. To use the retractable spray hose, pull the nozzle and hose out smoothly to the desired length. When the reel ratchet sounds, let the hose back against the ratchet to hold it in place. To rewind, pull hose out slightly to release the reel ratchet, then guide the hose back into the front of the case. Do not allow hose to rewind by itself. Hose jamming and/or reel damage could result.

Retractable Hose Replacement



1. Pull hose (1) completely out of front of case (2) and engage reel ratchet.
2. Fasten locking pliers on the reel edge (3) to prevent the reel from accidentally rewinding. The reel spring is fully wound in this position.
3. Remove hose (1) from hose clamps on the reel (3) and disconnect hose end fitting (4) from swivel assembly (5). Remove hose (1) from reel (3) and front of case (2).

CAUTION

Do not allow the reel to unwind suddenly or attempt to turn reel clockwise. This will damage the spring motor in the reel.

NOTE

If reel spring is unwound, wind the reel 19 complete turns counterclockwise, engage the reel ratchet and install locking pliers on reel edge.

4. Insert hose (1) through the front of the case (2) and the hole in the reel (3).
5. Apply pipe dope to threads of hose end fitting (4). Install hose end fitting (4) in the swivel assembly (5).
6. Attach the hose (1) securely to the reel (3) with the hose clamps on the reel.
7. Retract the hose (1) onto the reel (3).

NOTE

If reel does not work properly after rewinding, replace the reel assembly.

Produce Handling Tips

Fresh fruits and vegetable are living things, even after they have been harvested. They continue the process of respiration and transpiration after harvesting. Respiration is the process of self feeding to provide energy for maintaining life. (EXAMPLE: Asparagus and sweet corn generate heat after they are picked.) Transpiration is the process of water loss through vapor from the plant tissues. Post-harvest life can be maintained by slowing the rate of water loss. Refrigeration lowers the rate of respiration and transpiration. Store most types of produce close to freezing prior to display. There are a number of explanations (ex. Cucumbers can be kept relatively cool by themselves, but could be damaged by temperatures below 40°F). See chart on following pages for specifics.

Non-refrigerated produce cases are called "Dry" cases. They are used to display potatoes, dry onions, bananas, avocados and

other products which don't need refrigeration. These cases can also be used with a bed of cracked ice to display perishables.

Refrigerated produce cases displays produce products that require refrigeration. The refrigeration coil is below the display and fans are used to circulate air through the case display. This moving air will pick up moisture from unwrapped produce and carry it to the coil. It is necessary to replace this moisture by using a water spray several times during the day. At night the produce should be covered with a wet cloth. The alternate to sprinkling is to wrap the produce.

In order to maintain case air flow, the return air duct must not be blocked by product. An important aid to improve air circulation is to use air deflectors below the elevated screens in the case. These deflectors will direct the air flow into the display and prevent cool air from "short circuiting" the display. Deflectors are furnished with hump screen option. See illustration.

Produce Handling Chart

Produce	Ideal Storage Conditions			Display Rack Care		Special Notes
	Temperature (°F)	Relative Humidity (%)	Sell Quickly (1-2 days)	Refrigerate (40°F)	Sprinkle with Water	
Apples	30-32	85-95		Helpful	No advantage	Avoid bruising
Apricots	31-32	85-90	Yes	Helpful	No	
Asparagus	32-36	90-95	Yes	Profitable	No	Trim butts and stand in ice or shallow water
Avocados	40-55	85-90	Yes	No	No	Display on padded surface
Bananas, Ripe	56-58	85-90	Yes	No	No	Display on padded surface
For Ripening	58-68	90-95		No	No	Avoid bruising
Beans, Lima	32-40	85-90	Yes	Profitable	No	Shake up to aerate
Beans, Snap	40-45	90-95	Yes	Profitable	Yes	
Beets	32	85-95	Yes	Profitable	Yes	Moisten roots only
Berries	31-32	90-95	Yes	Helpful	No	Keep well ventilated
Broccoli	32-35	90-95	Yes	Profitable	Yes	Keep out of sun
Brussel Sprouts	32-35	90-95	Yes	Profitable	Yes	Remove yellow leaves
Cabbage	32	90-95		Helpful	Yes	
Carrots	32	90-95		Profitable	Yes	Moisten roots only of bunches
Cauliflower	32	90-95	Yes	Profitable	Yes	Sprinkle only if refrigerated
Celery	31-32	90-95	Yes	Profitable	Yes	

Produce	Ideal Storage Conditions			Display Rack Care		Special Notes
	Temperature (°F)	Relative Humidity (%)	Sell Quickly (1-2 days)	Refrigerate (40°F)	Sprinkle with Water	
Cherries	31-32	90-95	Yes	Helpful	No	Keep well ventilated
Corn, Sweet	31-32	90-95	Yes	Profitable	Yes	Keep cold to keep sweetness
Cucumbers	45-50	85-90	Yes	No	No advantage	
Eggplants	45-50	85-90	Yes	No	No advantage	Do not bruise, keep on ice
Grapefruit	50-60	85-90		Helpful	No advantage	Remove decayed fruit
Grapes	30-32	85-95	Yes	Helpful	No	Keep well ventilated
Honeydews	45-50	85-90		Helpful	No	Cover cut melons with transparent film
Lemons	38-40	85-90		Helpful	Yes	Sprinkling may be helpful
Lettuce	32	90-95	Yes	Profitable	Yes	Avoid soaking with water
Limes	48-50	85-90		Helpful	No advantage	
Mushrooms	32-35	80-90	Yes	Helpful	No	Handle carefully, keep dry
Muskmelons	32-35	85-90	Yes	Helpful	No	Cover cut melons with transparent film
Onions, Dry	32	65-70		No	No	Remove loose wrappers, keep dry
Onions, Green	32	90-95	Yes	Profitable	Yes	Keep well ventilated
Oranges	34-38	85-90		Helpful	No advantage	Remove decayed fruit
Parsnips	32	90-95		Helpful	Yes	Moisten roots only
Peaches, Ripe	31-32	90	Yes	Helpful	No	Ripen at room temperature before storage
Pears	29-31	90-95	Yes	Helpful	No	Display in single or double layer on pads
Peas, Green	32	90-95	Yes	Profitable	Yes	Shake up to aerate, keep cold
Peppers	45-50	90-95	Yes	Profitable	Yes	
Pineapples, Ripe	45-55	85-90	Yes	No	No	Remove decayed fruit
Plums	31-32	90-95	Yes	Helpful	No	Remove decayed fruit
Potatoes	40-50	85-90		No	No	Keep out of sun
Radishes	32	90-95	Yes	Profitable	Yes	Keep water off tops, avoid tight packing
Rhubarb	32	90-95	Yes	Profitable	No	Trim thin slice off stems and stand in cold water
Squash, Summer	40-50	85-95	Yes	Helpful	Yes	
Winter & Pmpkns	50-55	50-75		No	No	
Spinach	32	90-95	Yes	Profitable	Yes	Keep ventilated
Sweet Potatoes	55-60	85-90		No	No	Keep ventilated
Tangerines	32	85-90	Yes	Profitable	Yes	Remove decayed fruit
Tomatoes, Ripe	45-50	85-90	Yes	Helpful	No	Sell quickly, refrigerate to hold
Tomatoes, Green	55-70	85-90		No	No	Ripen in back room, sort frequently
Turnips	32	90-95		Profitable	Yes	Sprinkle roots only
Watermelons	40-45	80-85		Helpful	No	Cover cut melons with transparent film

The "Produce Handling Chart" is courtesy of Produce Marketing Association, Inc., Newark, Delaware 19711, from their 1973 Yearbook. This book is published as a service to the Fresh Produce Industry.

For additional information, consult:

"The Commercial Storage of Fruits, Vegetables, and Florist and Nursery Stocks", USDA Handbook No. 66, 1968.

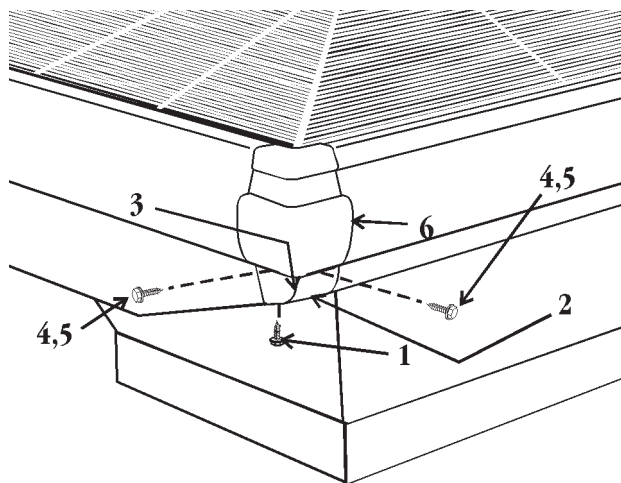
"The Shelf Life of Fresh Fruits and Vegetables - Retail Store Display Cases", USDA HT&S Office Report No. 247, October 1951.

"Fresh Fruits and Vegetables - Handling and Care", Corporate Extension Service, Michigan State University.

SERVICE INSTRUCTIONS

See "General-UL/NSF I&S Manual" for color band and bumper replacement instructions.

Corner Trim Replacement



1. Remove two screws (1) and lower corner trim assembly (2) from corner of the case (3).
2. Remove two screws (4), two washers (5) and lift off the bumper corner trim (6).
3. Replace bumper and lower corner trim in the reverse order.

Fan Blade and Motor Replacement

WARNING

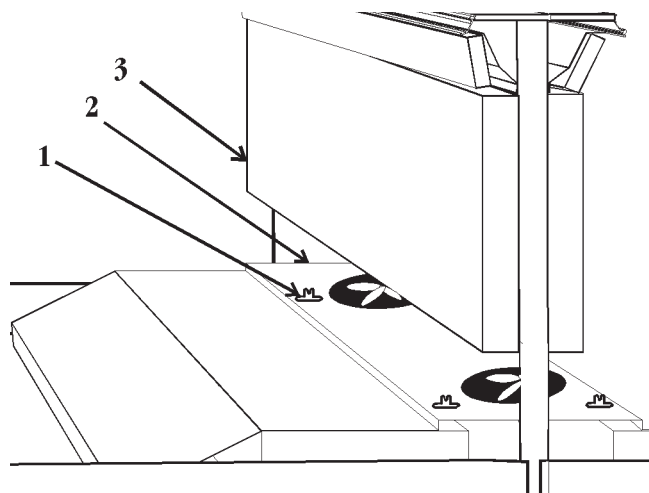
Shut off or disconnect power supply to case before servicing a fan. Automatic cycling of fan or electrical power to wire ends could cause personal injury and/or death.

Fan Blade Replacement

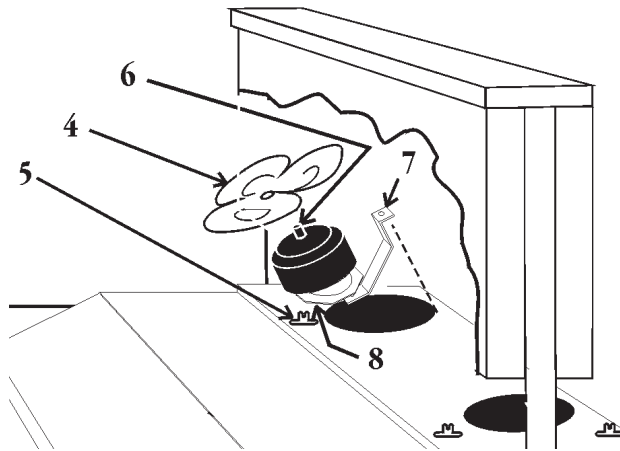
1. Remove bottom screens and bottom trays from case.

CAUTION

Electrical wiring to fan circuit is still connected. Careless removal could damage the wiring.



2. Turn thumbscrews (1) and carefully lift out the fan plenum (2) from under the center riser (3).



3. To replace fan blade (4), remove spring clip (5) and fan blade (4) from fan motor shaft (6). Discard spring clip.
4. Install new fan blade (4) on fan motor shaft (6) and secure with new spring clip (5).
5. Replace fan plenum, bottom trays and bottom screens in case.

Fan Motor Replacement

1. Remove bottom screens and bottom trays from case.

CAUTION

Electrical wiring to fan circuit is still connected. Careless removal could damage the wiring.

2. Turn thumbscrews (1) and carefully lift out the fan plenum (2) from under the center riser (3).
3. Remove three screws and mounting brackets (7) and fan plenum (2).
4. Carefully lift fan motor assembly and unplug wire connector.
5. Remove three screws, bracket mounting plate (8) and mounting brackets (7) from fan motor (6).

NOTE

If replacement blades and/or motor are not available, unplug motor and cover opening until the replacement parts are available.

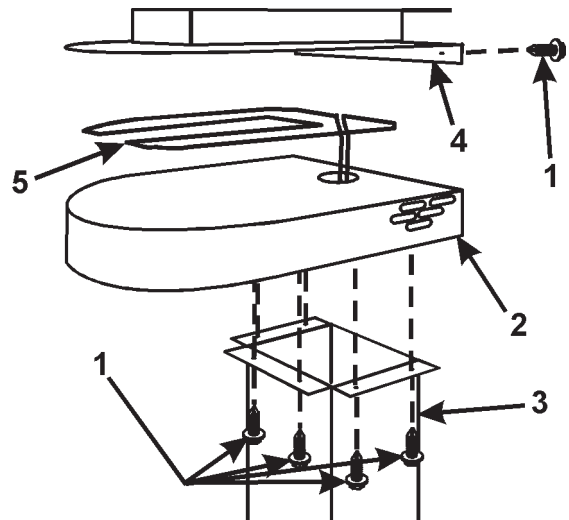
6. Replace new fan motor assembly in reverse order.

Anti-Sweat Replacement (NPE End Case Only)

WARNING

Shut off or disconnect power supply to case before changing an anti-sweat. Electrical power from wire ends could damage other components and/or cause personal injury or death.

Discharge Air Grid Anti-Sweat

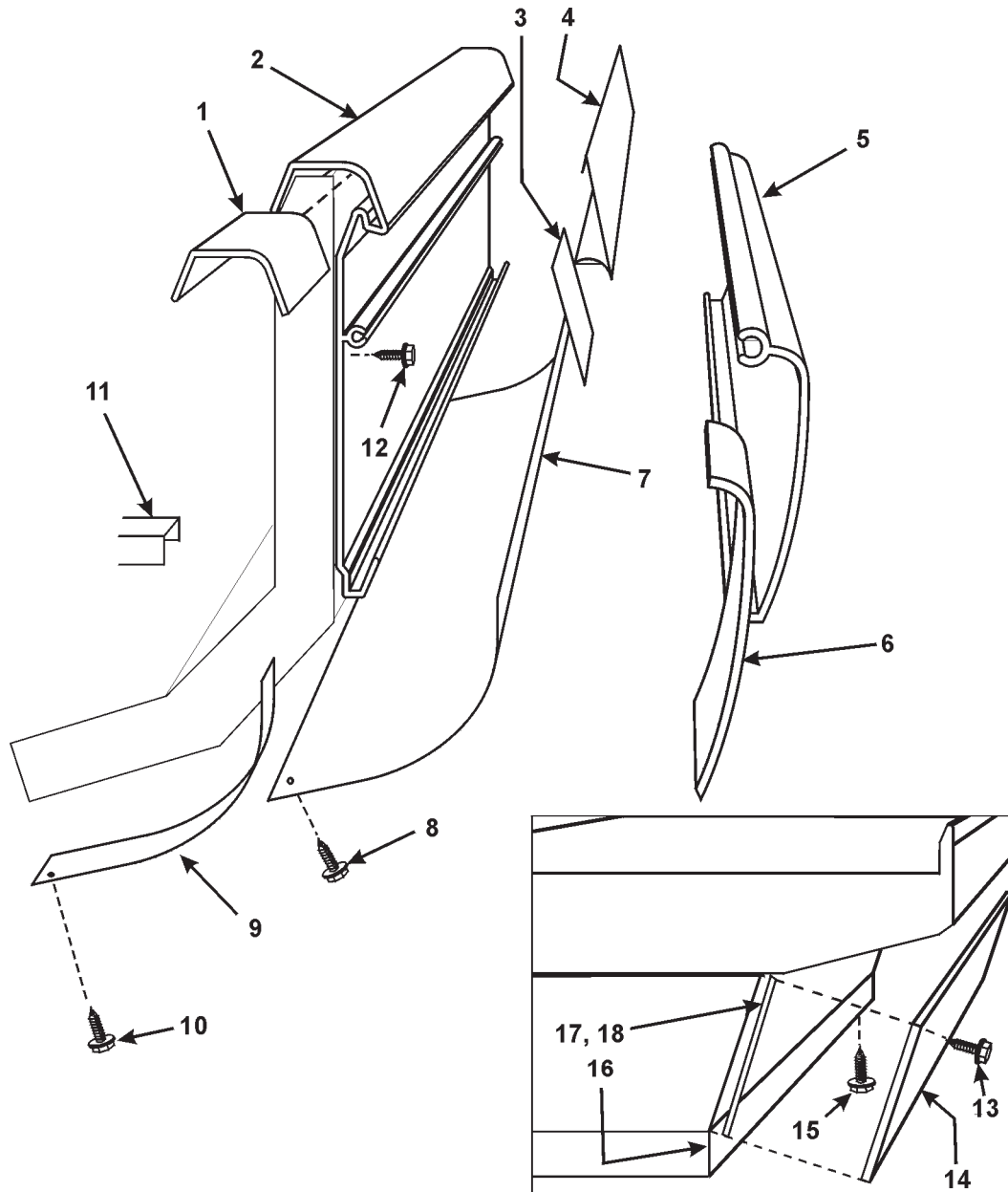


1. Remove six screws (1) and discharge grid assembly (2) from top of center riser (3).
2. Disconnect anti-sweat wires from case wires.
3. Remove two screws (1) from back of cover (4) and remove cover (4) from discharge grid assembly (2).
4. Remove and replace the anti-sweat heater (5) from top of the discharge grid assembly (2).
5. Replace cover (4) and secure with two screws (1).
6. Install the discharge grid assembly (2) in the reverse order and secure with six screws (1).

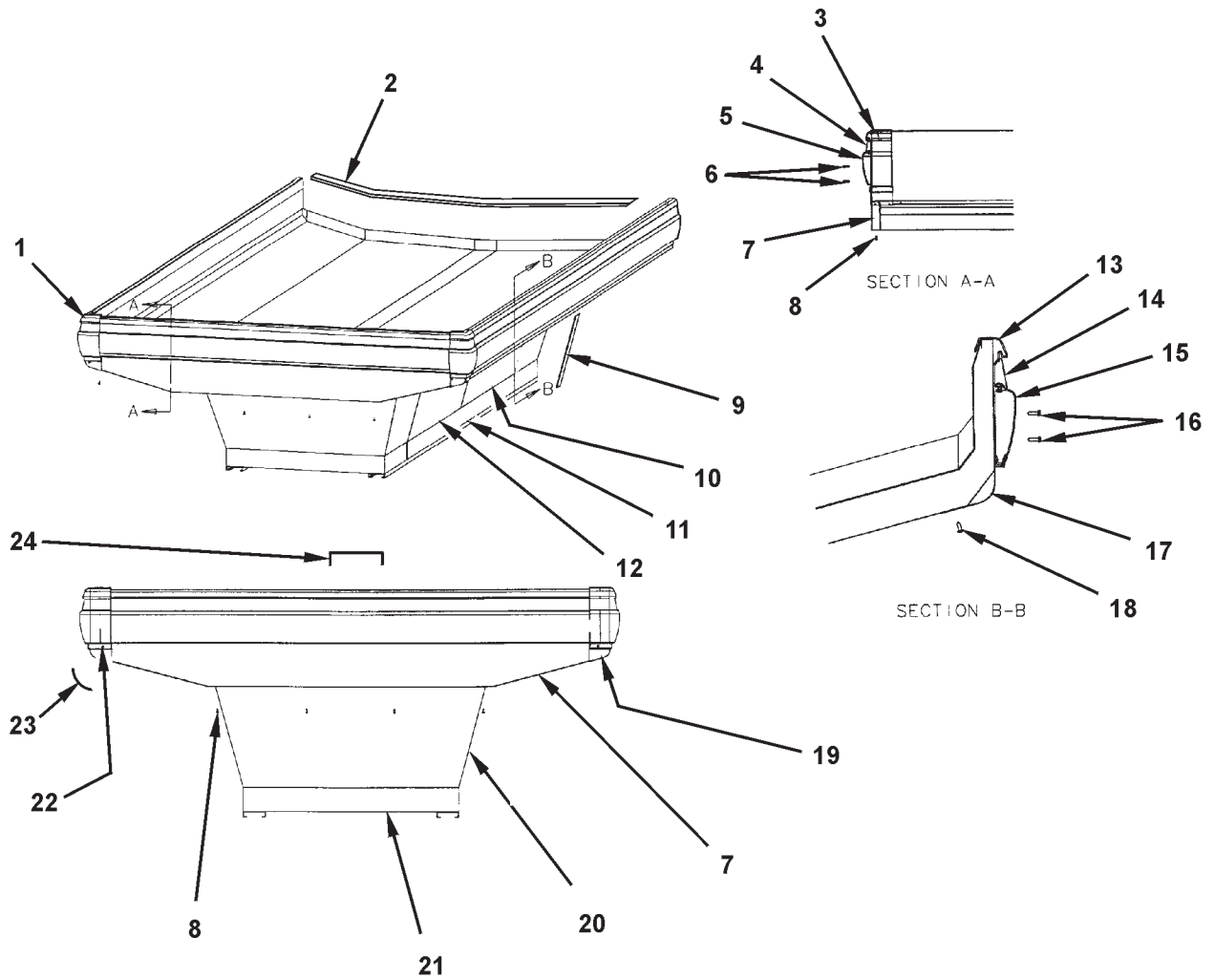
PARTS INFORMATION

Cladding and Optional Trim Parts Lists

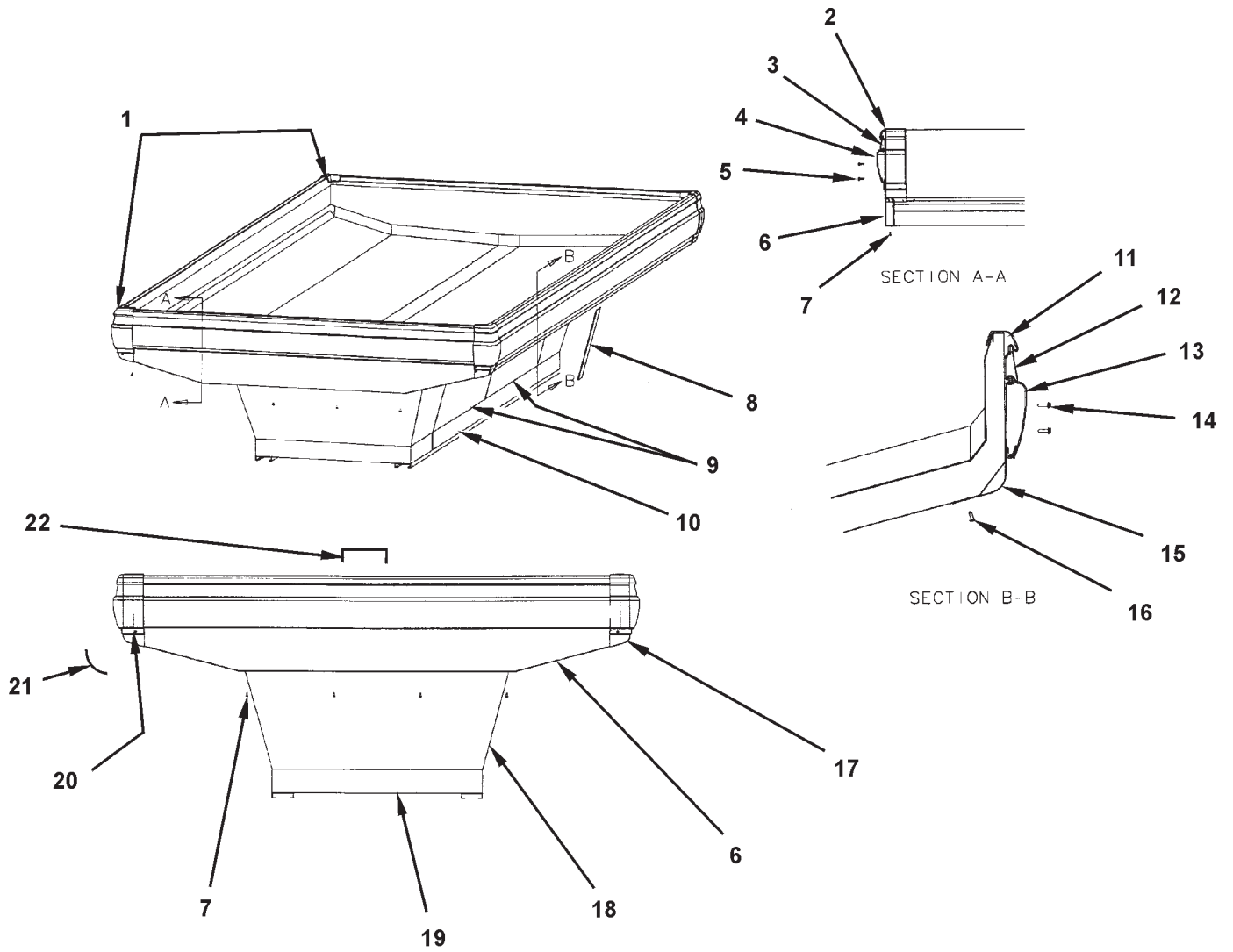
Item Description	NPW/NPWD	
	8'	12'
1 Bumper Retainer/Hand Rail Backer	9025316 (2)	9025316 (2)
2 Bumper Retainer/Hand Rail	color per order	
3 Color Band Backer, Ptd.	9040223 (2)	9040223 (2)
4 Color Band, Ptd.	9023798 (2)	9023800 (2)
5 Bumper	color per order	
6 Bumper Backer	color per order	
7 Front Cladding, Ptd.	9025236 (2)	9025237 (2)
8 Screw (per side)	5048626 (4)	5048626 (6)
9 Upr. Cladding Joint Trim, Ptd.	9028736 (2)	9028736 (2)
10 Screw (per side)	5048626 (2)	5048626 (2)
11 Body Joint Cover	5215379	5215379
12 Screw (per side)	9025833 (17)	9025833 (25)
13 Screw (per side panel)	5053985 (2)	5053985 (2)
14 Base Side Panel, Ptd.	5215415 (4)	5215415 (6)
15 Screw (per panel)	5183536 (7)	5183536 (10)
16 Base Panel, Ptd.	5215406 (2)	5215407 (2)
17 LWR Base Panel Joint Trim	5219179 (2)	5219179 (2)
18 Screw (per Joint Trim)	5048626 (4)	5048626 (4)



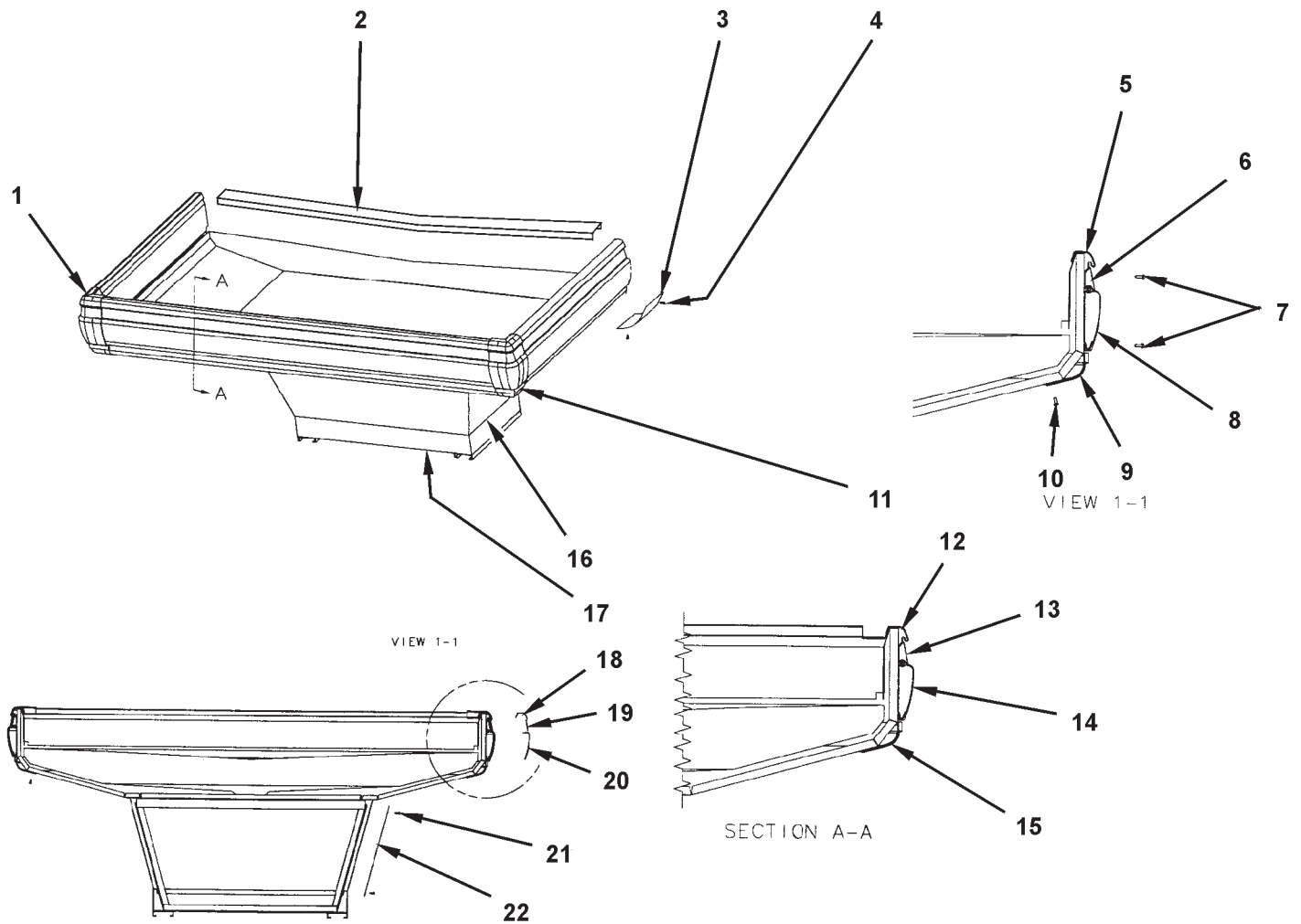
Item Description	NPWE/NPWDE		
	6'	8'	12'
1 Bumper Corner Trim	-----	color per order	-----
Screw (per corner trim)	5183536 (2)	5183536 (2)	5183536 (2)
Washer (per corner trim)	5100982 (2)	5100982 (2)	5100982 (2)
2 Body Joint Cover	5215379	5215379	5215379
3 End Bumper Retainer/Hand Rail	-----	color per order	-----
4 End Color Band, Ptd.	9023794	9023794	9023794
5 End Bumper	-----	color per order	-----
6 Screw (per end bumper retainer)	9025833 (12)	9025833 (12)	9025833 (12)
7 End Cladding, Ptd.	9025440	9025440	9025440
8 Screw (per end cladding)	5048626 (4)	5048626 (4)	5048626 (4)
9 Lower Cladding Joint Trim	5219579	5219579	5219579
10 36" Base Side Panel, Ptd.	5215194 (2)	----	----
47" Base Side Panel, Ptd.	----	5215415 (2)	5215415 (4)
Screw (per base side panel)	5100217 (2)	5100217 (2)	5100217 (2)
11 Lower Base Side Panel, Ptd.	9806802 (2)	5215910 (2)	5215910 (2)
Screw (per lower base side panel)	5183536 (3)	5183536 (4)	5183536 (6)
12 12" Base Side Panel, Ptd.	----	5215195 (2)	5215195 (2)
Screw (per base side panel)	----	5083985	5083985
13 Bumper Retainer/Hand Rail	-----	color per order	-----
Bumper Retainer Backer	9025316	9025316	9025316
14 Color Band, Ptd.	9023795 (2)	9023798 (2)	9023800(2)
Color Band Backer, Ptd.	9040223	9040223	9040223
15 Bumper	-----	color per order	-----
Bumper Backer	-----	color per order	-----
16 Screw (per side bumper retainer)	9025833 (13)	9025833 (17)	9025833 (25)
17 Side Cladding, Ptd.	9025633 (2)	9025236 (2)	9025237 (2)
18 Screw (per side cladding)	5048626 (4)	5048626 (6)	5048626 (9)
19 RH Lower Corner Trim Assy., Ptd.	9020992	9020992	9020992
Screw (per lower corner trim)	5048626 (2)	5048626 (2)	5048626 (2)
20 Base End Panel, Ptd.	5215200	5215200	5215200
Screw (per base end panel)	5183536 (5)	5183536 (5)	5183536 (5)
21 Lower Base End Panel, Ptd.	5215402	5215402	5215402
Screw (per lower base end panel)	5183536 (7)	5183536 (7)	5183536 (7)
22 LH Lower Corner Trim, Ptd.	9020993	9020993	9020993
Screw (per lower corner trim)	5048626 (2)	5048626 (2)	5048626 (2)
23 Upper Cladding Joint Trim	9028736 (2)	9028736 (2)	9028736 (2)
Screw (per UPR CLD JT Trim)	5048626(4)	5048626(4)	5048626 (4)
24 Top Cap Joint Trim	5228160	5228160	5228160



Item Description	NPWEE/NPWDEE			
	8'	10'	12'	16'
1 Bumper Corner Trim	----- color per order -----			
Screw (per corner trim)	5183536 (2)	5183536 (2)	5183536 (2)	5183536 (2)
Washer (per corner trim)	5100982 (2)	5100982 (2)	5100982 (2)	5100982 (2)
2 End Bumper Retainer/Hand Rail	----- color per order -----			
3 End Color Band, Ptd.	9023794 (2)	9023794 (2)	9023794 (2)	9023794 (2)
4 End Bumper	----- color per order -----			
5 Screw (per end bumper retainer)	9025833 (24)	9025833 (24)	9025833 (24)	9025833 (24)
6 End Cladding, Ptd.	9025440 (2)	9025440 (2)	9025440 (2)	9025440 (2)
7 Screw (per end cladding)	5048626 (8)	5048626 (8)	5048626 (8)	5048626 (8)
8 Base Joint Trim	5219579 (2)	5219579 (2)	5219579 (2)	5219579 (2)
9 Base Side Panel, Ptd.	9806604 (2)	9806605 (4)	5215194 (4)	5215415 (4)
Screw (per base side panel)	5100217 (2)	5100217 (2)	5100217 (2)	5100217 (2)
10 Lower Base Side Panel, Ptd.	9806564 (2)	9806565 (2)	5215911 (2)	5215910 (4)
Screw (per lower base side panel)	5183536 (6)	5183536 (6)	5183536 (6)	5183536 (6)
11 Bumper Retainer/Hand Rail	----- color per order -----			
12 Color Band, Ptd.	9023798 (2)	9806694 (2)	9023800 (2)	9023798 (4)
13 Bumper	----- color per order -----			
14 Screw (per side bumper retainer)	9025833 (17)	9025833 (21)	9025833 (25)	9025833 (34)
15 Side Cladding, Ptd.	9025236 (2)	9806693 (2)	9025237 (2)	9025236 (4)
16 Screw (per side cladding)	5048626 (6)	5048626 (6)	5048626 (9)	5048626 (6)
17 RH Lower Corner Trim, Ptd.	9026197(2)	9026197(2)	9026197(2)	9026197(2)
Screw (per lower corner trim)	5048626 (2)	5048626 (2)	5048626 (2)	5048626 (2)
18 Base End Panel, Ptd.	5215200 (2)	5215200 (2)	5215200 (2)	5215200 (2)
Screw (per base end panel)	5183536 (5)	5183536 (5)	5183536 (5)	5183536 (5)
19 Lower Base End Panel, Ptd.	5215402 (2)	5215402 (2)	5215402 (2)	5215402 (2)
Screw (per lower base end panel)	5183536 (7)	5183536 (7)	5183536 (7)	5183536 (7)
20 LH Lower Corner Trim, Ptd.	9026198 (2)	9026198 (2)	9026198 (2)	9026198 (2)
Screw (per lower corner trim)	5048626 (2)	5048626 (2)	5048626 (2)	5048626 (2)
21 Upper Cladding Joint Trim	9028736 (4)	9028736 (4)	9028736 (4)	9028736 (4)
Screw (per UPR CLDG JT Trim)	5048626 (4)	5048626 (4)	5048626 (4)	5048626 (4)
22 Top Cap Joint Trim	5228160	5228160	5228160	5228160



Item Description	NPE/NPDE End Case
1 Bumper Corner Trim	color per order
Screw (per corner trim)	5183536 (2)
Washer (per corner trim)	5100982 (2)
2 Body Joint Cover	5215379
3 Cladding Joint Trim	9028736
4 Screw	5048626 (4)
5 Bumper Retainer/Hand Rail	color per order
6 Color Band, Painted	9023788 (2)
7 Screw (per bumper retainer)	9025833 (7)
8 Bumper	color per order
9 Side Cladding, Ptd.	9025458 (2)
10 Screw (per side cladding)	5048626 (2)
11 Lower Corner Trim, Ptd.	9026076 (2)
Screw (per lower corner trim)	5048626 (2)
12 End Bumper Retainer/Hand Rail	color per order
Screw (per end bumper retainer)	9025833 (12)
13 End Color Band, Ptd.	9023794
14 End Bumper	color per order
15 End Cladding, Ptd.	9025967
Screw (per end cladding)	5048626 (4)
16 Base End Panel, Ptd.	5215200
Screw (per base end panel)	5183536 (5)
17 Lower Base End Panel, Ptd.	5215407
Screw (per lower base end panel)	5183536 (7)
18 Bumper Retainer/Hand Rail Backer	9025316
19 Color Band Backer, Ptd.	9040223
20 Bumper Backer	color per order
21 Screw (per base joint trim)	5205439 (4)
22 Base Joint Trim, Ptd.	5219179



Operational Parts List

Case Usage	Domestic					
	6'	8'	10'	12'	16'	End Case
Electrical Circuit	115 Volt 60 Hertz					
Case Size	6'	8'	10'	12'	16'	End Case
Fan Motor	5125532 5 Watt	5125532 5 Watt	5125532 5 Watt	5125532 5 Watt	5125532 5 Watt	5125532 5 Watt
Fan Motor Brackets (NPW)	----	5197471	----	5197471	----	----
(NPWE)	5197471	5197471	----	5187471	----	----
(NPWEE)	----	5197471	5197471	5197471	5197471	----
(NPE)	----	----	----	----	----	5962269
Fan Bracket Plate	9041077	9041077	9041077	9041077	9041077	9041077
Fan Blades (7.75" 32° 3B)	5126000	5126000	5126000	5126000	5126000	----
(7" 15° 5B)	----	----	----	----	----	5223891
Opt. ECM Fan Motor	9025002 8 Watt	9025002 8 Watt	9025002 8 Watt	9025002 8 Watt	9025002 8 Watt	9025002 8 Watt
Opt. ECM Fan Brackets and Fan Blades	Same as Used on Standard Fan.					
Opt. Export Fan Motor (220 Volt 50 Hertz)	5222986 7.5 Watt	5222986 7.5 Watt	5222986 7.5 Watt	5222986 7.5 Watt	5222986 7.5 Watt	5222986 7.5 Watt
Opt. Export Fan Bracket and Fan Blades	Same as Used on Standard Fan.					
Anti-Sweat Heater (end case) (discharge air)(NPE-Dom.)	----	----	----	----	----	5225828
(discharge air)(NPE-Exp.)	----	----	----	----	----	Call TYLER Parts Depot
NSF Product Thermometer	5967100	5967100	5967100	5967100	5967100	----

For information on operational parts not listed above contact the TYLER Service Parts Department.