

NSSD merchandisers are designed for versatility and service merchandiser compatibility with all medium temperature dairy, deli, critical produce, and bakery products. NSSD cases are the perfect companion to your service case line-up.



IN ACCORDANCE WITH NSF
SANITATION PROCEDURES



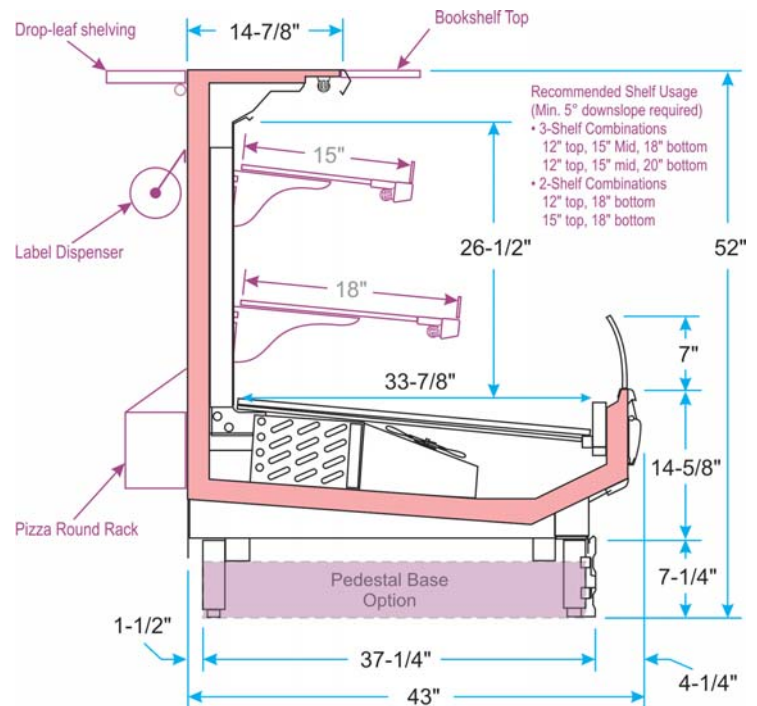
Features & Benefits

- Energy-efficient copper tube and aluminum fin coils.
- 14-7/8" top shelf adds merchandising flexibility.
- Single row of T8 canopy lights for increased product illumination.
- 7" curved clear Plexiglas® enhances product visibility.
- White powder-coated steel deck trays provide durability and enhance product presentation.
- Pipe leg base makes it possible to line up with service cases.
- Removable fan assembly allows access to coil and drain pan.
- Off-cycle defrost.

Options

- ECM fan motors for additional energy savings.
- 5-1/2" straight or 3-1/2" angled tempered thermopane glass front also enhance product visibility.
- 12", 15", 16", 18" and 20" deep T8 lighted shelves with 3 position angled shelf brackets maximize product presentation options.
- Pedestal base design or lower 3-1/2" pipe begs provide base options that meet your store layout needs.
- Several step tray options offer versatility in product presentation.
- Electric or gas defrost.
- Drop-Leaf shelves provide a flexible work environment for work behind the merchandiser.

Specifications are subject to engineering changes without notice.



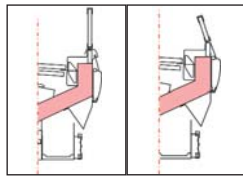
Model	Case Length	Description	Capacity in Cubic Feet*
NSSD	4' • 6' • 8' • 12'	Glass front three-deck self-service, standard coil	150.0 • 22.3 • 29.8 • 44.7

* Cubic capacity is based on one row of 15" selves and one row of 18" shelves.

Optional Accessories



Hinged poly-wrap shelf provides a collapsible work and prep area behind the case.



5-1/2" straight or 3-1/2" angled tempered thermopane glass front provide flexibility of front styling without reducing product visibility.



Stainless steel step trays create additional opportunities for product presentations.

