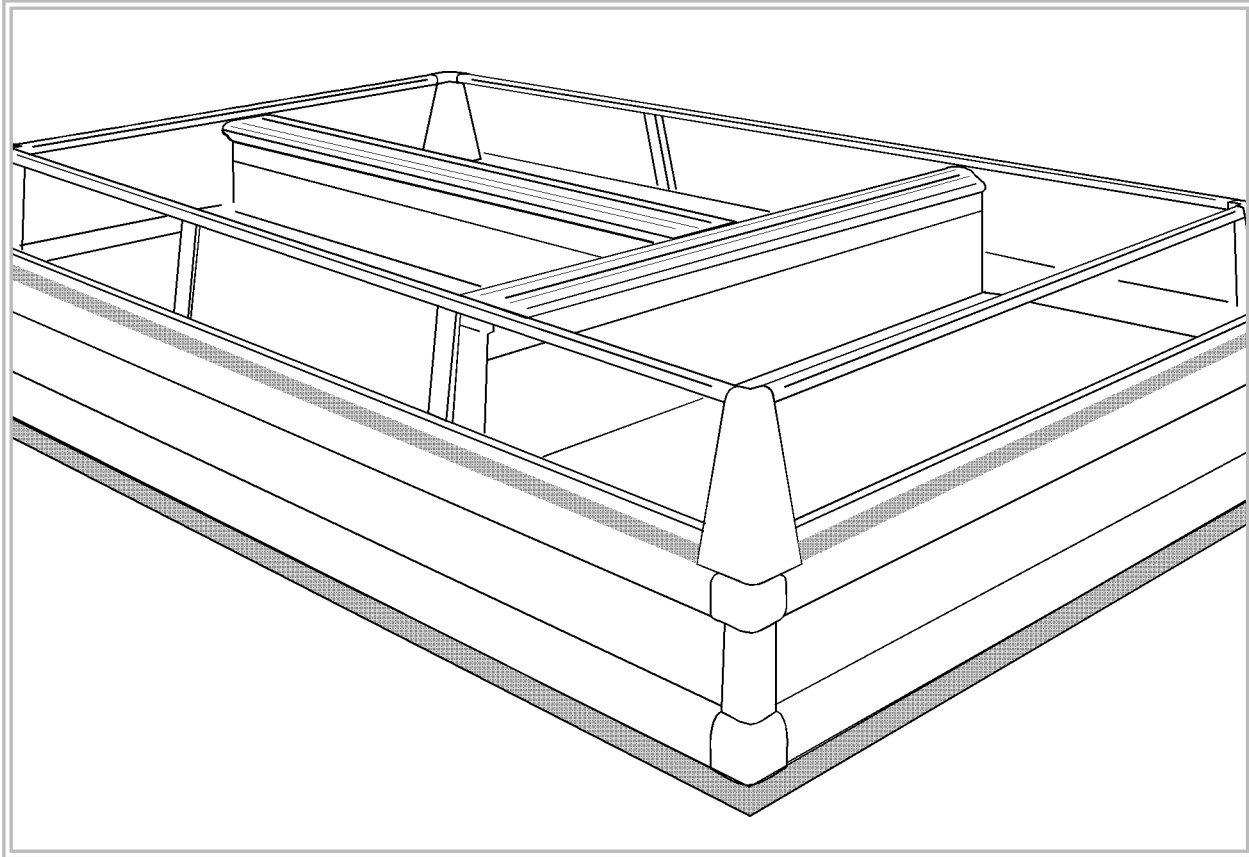


Replacement Parts ^{series} Advantage



Glass Front Jumbo Island Merchandiser

Production began January 8, 2001

9000638	NFJG8	Low-Temp	8' Jumbo Island FF Merchandiser w/Glass
9000639	NFJG12	Low-Temp	12' Jumbo Island FF Merchandiser w/Glass
9000640	NCJG8	Low-Temp	8' Jumbo Island IC Merchandiser w/Glass
9000641	NCJG12	Low-Temp	12' Jumbo Island IC Merchandiser w/Glass
9000642	NTJG8	Split-Temp	8' Jumbo Island FF/IC Merchandiser w/Glass
9000643	NTJG12	Split-Temp	12' Jumbo Island FF/IC Merchandiser w/Glass
9000644	NFMJG8	Split-Coil	8' Jumbo Island FF Merchandiser w/Glass
9000645	NFMJG12	Split-Coil	12' Jumbo Island FF Merchandiser w/Glass
9000646	NFJGE	Low-Temp	Jumbo Island End FF Merchandiser w/Glass
9000647	NCJGE	Low-Temp	Jumbo Island End IC Merchandiser w/Glass

NFJG • NCJG
 NTJG • NFMJG
 NFJGE • NCJGE



Issue date: March 14, 2001

Replaces issue:

Part number: 9037199

Revision: C

Tyler Refrigeration Corporation Niles, MI 49120
 Parts information subject to change without notice
 Printed in U.S.A.

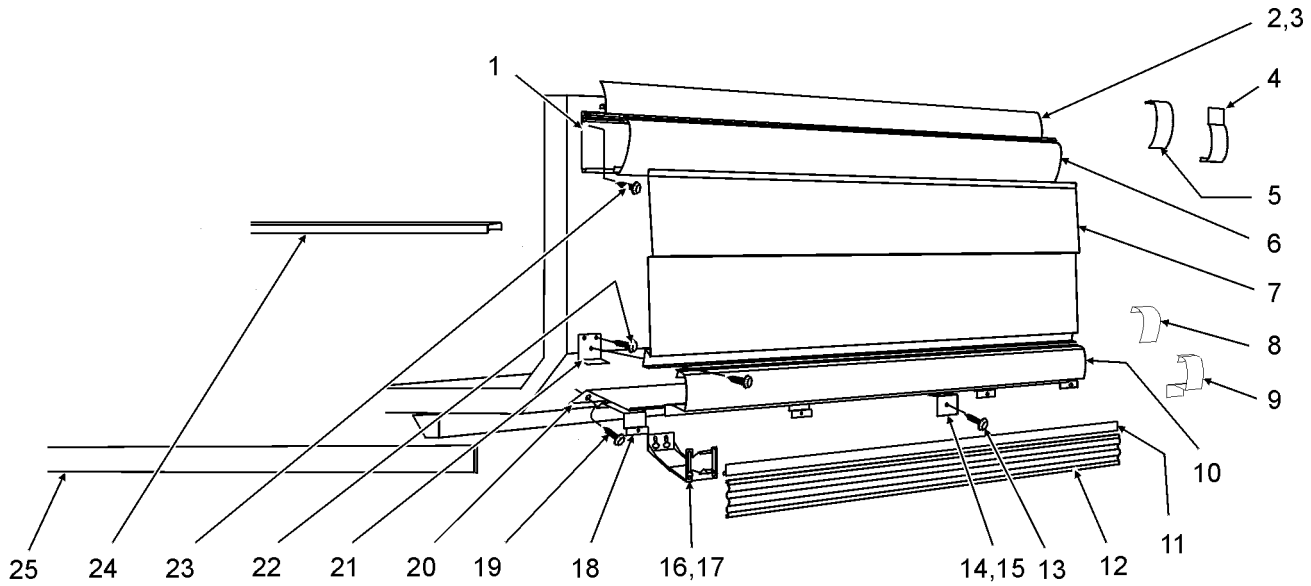


CONTENTS

	<u>Page</u>
Cladding, Covers and Trims	C1-C11
 Structural Components	
Ducts and Panels - NFJG/NCJG/NTJG/NFMJG	S1
Ducts and Panels - NFJGE/NCJGE	S2
Front Glass - NFJG/NCJG/NTJG/NFMJG	S3
Top Glass - NGJGE/NCJGE	S4
Patch Ends, Partitions and Plexiglas Dividers	
Solid Patch End	S5
1" Solid Partition	S6
Inside Plexiglas Divider	S7
 Electrical System Components	
Wiring Harnesses	
Wiring and Components - NFJG/NCJG/NTJG/NFMJG	E1
Wiring and Components - NFJGE/NCJGE	E2
Fan Systems - NFJG/NCJG/NTJG/NFMJG	E3
Fan Systems - NFJGE/NCJGE	E4
Optional Superstructure Components	
Superstructure Uprights	E5, E6
Superstructure Shelving Options	E7, E8
Shelf Light Assemblies	E9
 Refrigeration System Components	
Coil Assemblies - NFJG/NCJG/NTJG/NFMJG	R1
Coil Assemblies - NFJGE/NCJGE	R2
Electric Defrost and Tubing	R3
Optional Hot Gas Defrost - NFJG/NCJG/NTJG/NFMJG	R4
Optional Hot Gas Defrost - NFJGE/NCJGE	R5
 Optional Case Accessories	
Shelf Screens, Shelf Bin, Bottom Basket, Lower Tray and Nite Cover	A1
Shelf and Bin Dividers	A2
Thermometers	A3
Thermostats	A4



CLADDING, COVERS AND TRIMS
NFJG/NCJG/NTJG/NFMJG - 8'



8' Merchandiser

Item	Part No.	Qty.	Description	Item	Part No.	Qty.	Description
1	9025058	2	Bumper Retainer	14	9023841	8	Raceway Cover Retainer
2	9020971	2	Color Band, Painted	15	9025833	12	Shoulder Screw
3	9025982	2	Color Band Backer, Painted	16	9042415	6	Kickplate Support Assy.
4	+	2	Bumper End Trim	17	9041465	8	Raceway Support
5	+	2	Bumper Backer	18	5183536	24	Screw
6	+	2	Bumper	19	5183536	16	Screw
7	9025209	2	Front Cladding	20	9300218	2	Raceway
8	+	2	Raceway Cover Backer	21	9300197	8	Cladding Retainer
9	+	2	Raceway Cover End Trim	22	5183536	24	Screw
10	+	2	Raceway Cover	23	9025833	20	Screw
11	+	2	Kickplate Extension [OPTL]	24	5196166	2	Horizontal End Trim
12	+	2	Kickplate	25	9027925	2	LH/RH Base Close-off
13	9041790	2	Kickplate Backer				
	5183536	16	Screw				

+ See pages C2, C3 & C4 for parts breakdown per color.



CLADDING, COVERS AND TRIMS - (CONT'D)

NFJG/NCJG/NTJG/NFMJG - 8'

Bumper Backer [Item 5]

Part Number	Color
9025023	White
9025028	Bone White
9025035	Misty Gray
9025038	Pearl
9025041	Oatmeal
9025253	Soft Sand
9025258	Chromium
9025265	Cool Gray
9025268	Oyster
9025271	Black
9028883	Steel Gray
9031884	Chocolate
9031885	Mocha
9031886	Stone

Bumper End Trim [Item 4]

Part Number	Color
9028010	White
9028011	Bone White
9028012	Misty Gray
9028013	Pearl
9028014	Oatmeal
9028015	Soft Sand
9028016	Chromium
9028017	Cool Gray
9028018	Oyster
9028019	Black
9028880	Steel Gray
9034330	Chocolate
9034331	Mocha
9034332	Stone
9023195	RH Bumper Pusher Bracket
9028082	LH Bumper Pusher Bracket
5053985	Screw (2 per bracket)

Bumper [Item 6]

Without Partition
(96.062"):

Part Number	Color
9025036	White
9025266	Bone White
9025287	Misty Gray
9025308	Pearl
9025329	Oatmeal
9025350	Soft Sand
9025371	Chromium
9025392	Cool Gray
9025413	Oyster
9025434	Black
9028905	Steel Gray
9031687	Chocolate
9031724	Mocha
9031761	Stone

With Partition
(97.062"):

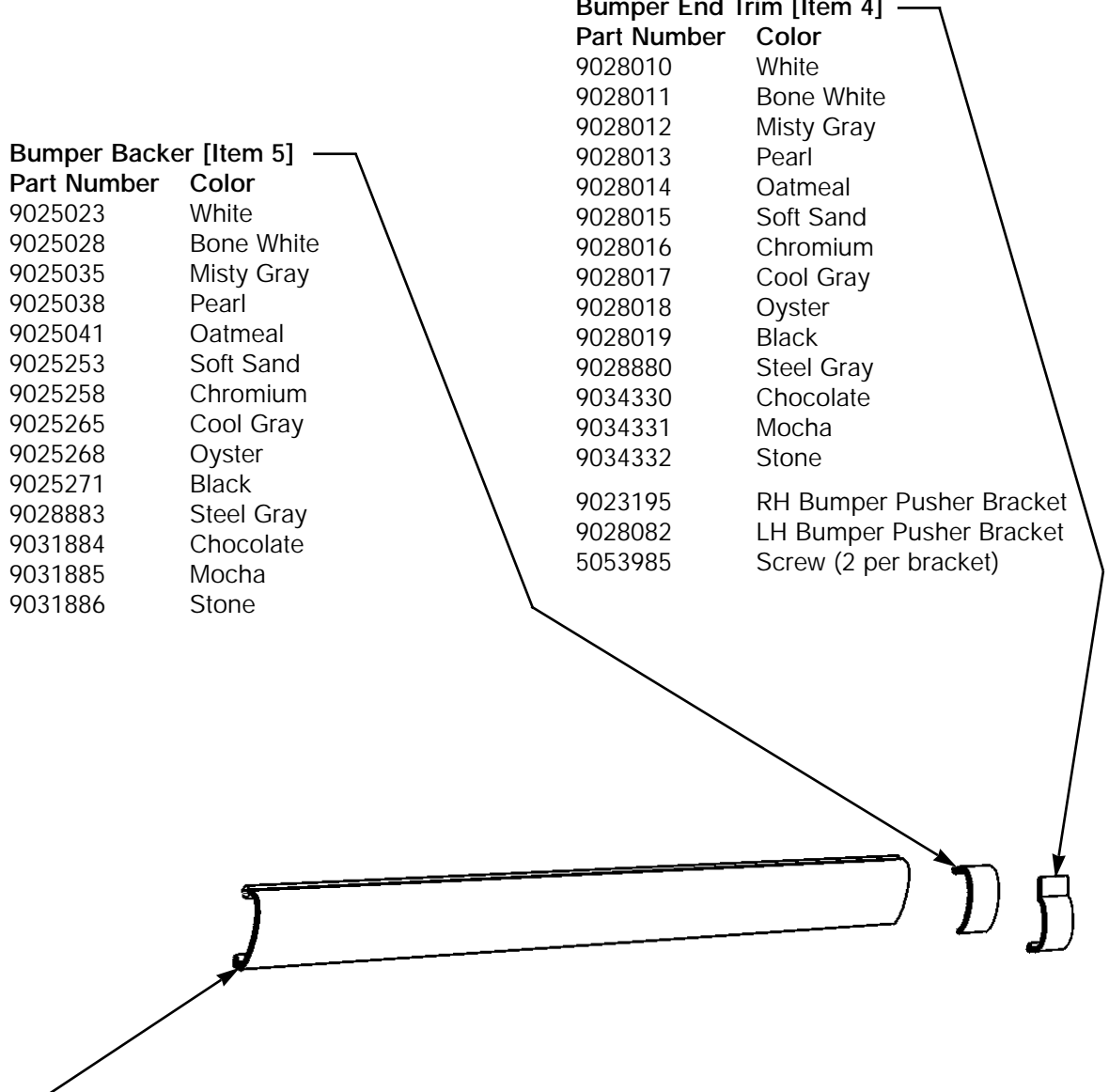
Part Number
9027179
9027180
9027181
9027182
9027183
9027184
9027185
9027186
9027187
9027188
9028907
9031689
9031726
9031763

With 1 Wrap End
(98.188"):

Part Number
9026578
9026579
9026580
9026581
9026582
9026583
9026584
9026585
9026586
9026587
9028909
9031691
9031728
9031765

With 2 Wrap Ends
(100.313"):

Part Number
9026662
9026663
9026664
9026665
9026666
9026667
9026668
9026669
9026670
9026671
9028910
9031692
9031729
9031766





CLADDING, COVERS AND TRIMS - (CONT'D)

NFJG/NCJG/NTJG/NFMJG - 8'

**Raceway Cover [Item 10]
Without Partition
(96.062"):**

Part Number	Color
9025666	White
9025675	Bone White
9025686	Misty Gray
9025697	Pearl
9025708	Oatmeal
9025719	Soft Sand
9025730	Chromium
9025741	Cool Gray
9025752	Oyster
9025763	Black
9310660	Steel Gray
9031571	Chocolate
9031598	Mocha
9031652	Stone

**With Partition
(97.062"):**

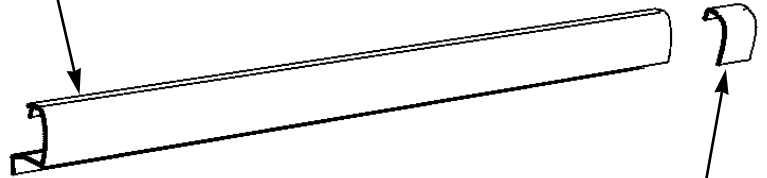
Part Number
9027077
9027078
9027079
9027080
9027081
9027082
9027083
9027084
9027085
9027086
9310661
9031572
9031599
9031599

**With 1 Wrap End
(98.188"):**

Part Number	Color
9027269	White
9027270	Bone White
9027271	Misty Gray
9027272	Pearl
9027273	Oatmeal
9027274	Soft Sand
9027275	Chromium
9027276	Cool Gray
9027277	Oyster
9027278	Black
9310662	Steel Gray
9031573	Chocolate
9031600	Mocha
9031654	Stone

**With 2 Wrap Ends
(100.313"):**

Part Number
9027280
9027281
9027282
9027283
9027284
9027285
9027286
9027287
9027288
9027289
9310663
9031574
9031601
9031655

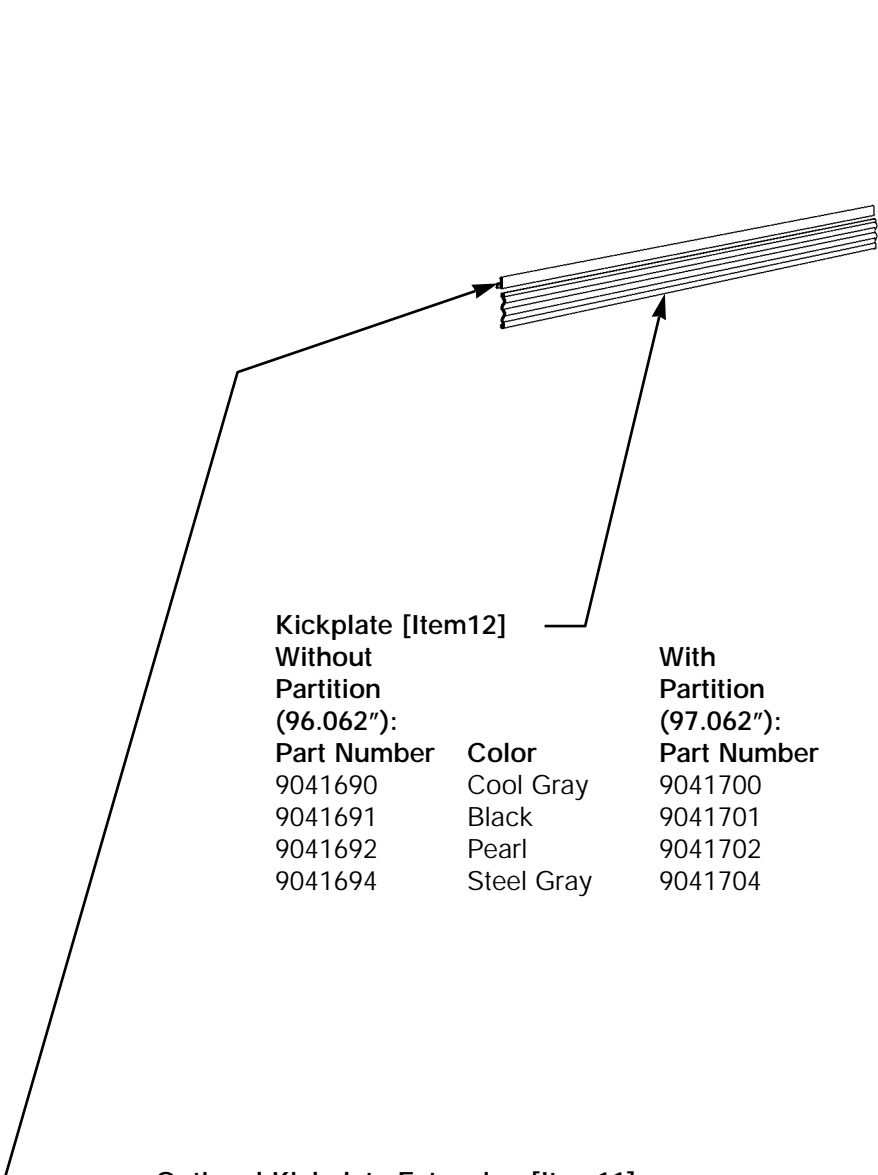


Raceway Cover Backer [Item 8]

Part Number	Color
9025795	White
9025796	Bone White
9025797	Misty Gray
9025798	Pearl
9025799	Oatmeal
9025800	Soft Sand
9025801	Chromium
9025802	Cool Gray
9025803	Oyster
9025804	Black
9310683	Steel Gray
9031907	Chocolate
9031908	Mocha
9031909	Stone



CLADDING, COVERS AND TRIMS - (CONT'D)
NFJG/NCJG/NTJG/NFMJG - 8'



Raceway Cover End Trim [Item 9]

Part Number	Color
9027231	White
9027232	Bone White
9027233	Misty Gray
9027234	Pearl
9027235	Oatmeal
9027236	Soft Sand
9027237	Chromium
9027238	Cool Gray
9027239	Oyster
9027240	Black
9310681	Steel Gray
9034336	Chocolate
9034337	Mocha
9031338	Stone

Kickplate [Item 12]

Without Partition (96.062"):

Part Number	Color
9041690	Cool Gray
9041691	Black
9041692	Pearl
9041694	Steel Gray

With Partition (97.062"):

Part Number
9041700
9041701
9041702
9041704

With 1 Wrap End (98.188"):

Part Number
9041710
9041711
9041712
9041714

With 2 Wrap Ends (100.313"):

Part Number
9041715
9041716
9041717
9041719

Optional Kickplate Extension [Item 11]

Without Partition (96.062"):

Part Number	Color
9042868	Cool Gray
9042869	Black
9042870	Pearl
9042871	Steel Gray

With Partition (97.062"):

Part Number
9042876
9042877
9042878
9042879

With 1 Wrap End (98.188"):

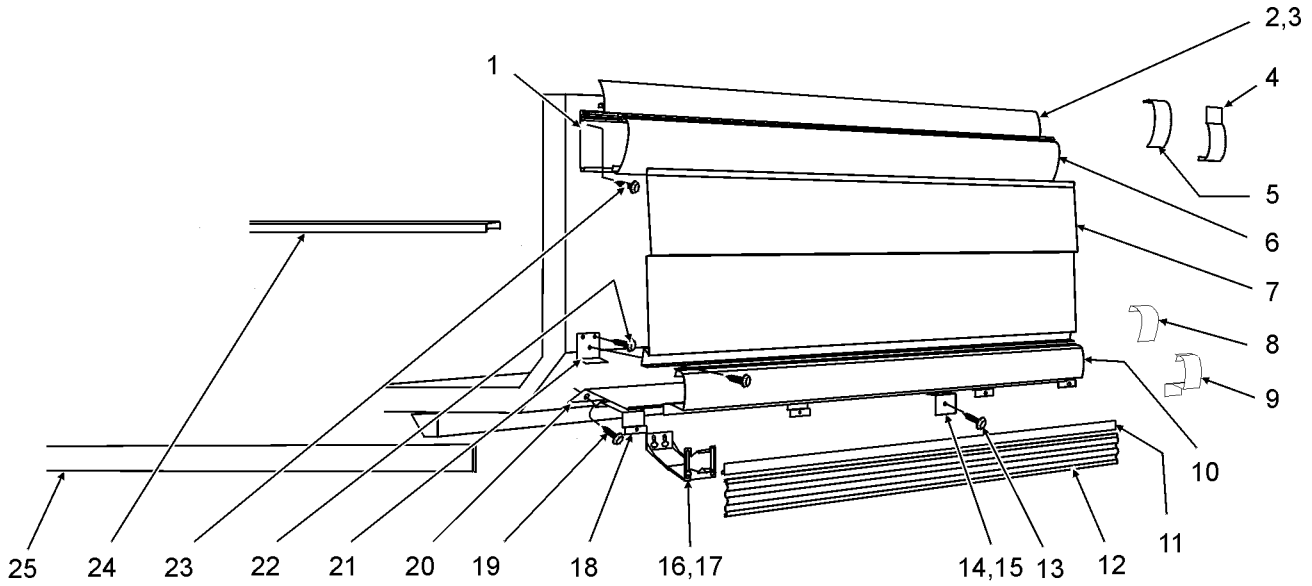
Part Number
9042932
9042933
9042934
9042935

With 2 Wrap Ends (100.313"):

Part Number
9042884
9042885
9042886
9042887



CLADDING, COVERS AND TRIMS - (CONT'D)
 NFJG/NCJG/NTJG/NFMJG - 12'



12' Merchandiser

Item	Part No.	Qty.	Description	Item	Part No.	Qty.	Description
1	9025061	2	Bumper Retainer	14	9023841	8	Raceway Cover Retainer
2	9020972	2	Color Band, Painted	15	9025833	20	Screw
3	9025982	2	Color Band Backer, Painted	16	9042415	16	Kickplate Support Assy.
4	+	2	Bumper End Trim	17	9041465	8	Raceway Support
5	+	2	Bumper Backer	18	5183536	16	Screw
6	+	2	Bumper	19	5183536	16	Screw
7	9025210	2	Front Cladding	20	9300219	2	Raceway
8	+	2	Raceway Cover Backer	21	9300197	8	Cladding Retainer
9	+	2	Raceway Cover End Trim	22	5183536	24	Screw
10	+	2	Raceway Cover	23	9025833	28	Screw
11	+	2	Kickplate Extension [OPTL]	24	5196166	2	Horizontal End Trim
12	+	2	Kickplate	25	9027925	2	LH/RH Base Close-off
	+	2	Kickplate Extension [OPTL]				
	9041790	2	Kickplate Backer				
13	5183536	16	Screw				

+ See pages C6, C7 and C8 for parts breakdown per color.



CLADDING, COVERS AND TRIMS - (CONT'D)

NFJG/NCJG/NTJG/NFMJG - 12'

Bumper Backer [Item 5]

Part Number	Color
9025023	White
9025028	Bone White
9025035	Misty Gray
9025038	Pearl
9025041	Oatmeal
9025253	Soft Sand
9025258	Chromium
9025265	Cool Gray
9025268	Oyster
9025271	Black
9028883	Steel Gray
9031884	Chocolate
9031885	Mocha
9031886	Stone

Bumper End Trim [Item 4]

Part Number	Color
9028010	White
9028011	Bone White
9028012	Misty Gray
9028013	Pearl
9028014	Oatmeal
9028015	Soft Sand
9028016	Chromium
9028017	Cool Gray
9028018	Oyster
9028019	Black
9028880	Steel Gray
9034330	Chocolate
9034331	Mocha
9031332	Stone
9023195	RH Bumper Pusher Bracket
9028082	LH Bumper Pusher Bracket
5053985	Screw (2 per bracket)

Bumper [Item 6]

**Without Partition
(144.062"):**

Part Number	Color
9025039	White
9025269	Bone White
9025290	Misty Gray
9025311	Pearl
9025332	Oatmeal
9025353	Soft Sand
9025374	Chromium
9025395	Cool Gray
9025416	Oyster
9025437	Black
9028912	Steel Gray
9031695	Chocolate
9031732	Mocha
9031769	Stone

**With Partition
(145.062"):**

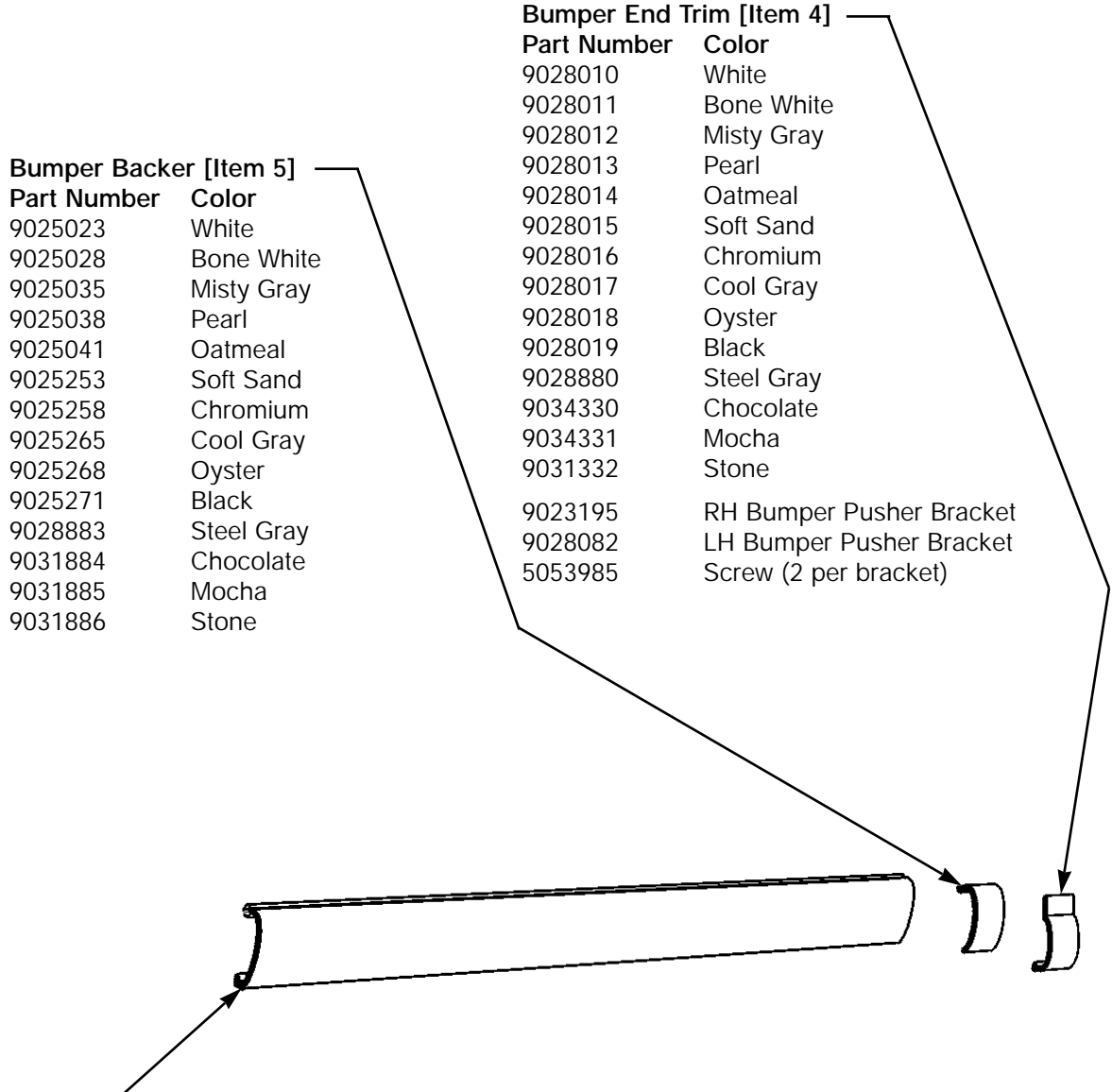
Part Number
9027199
9027200
9027201
9027202
9027203
9027204
9027205
9027206
9027207
9027208
9028914
9031697
9031734
9031771

**With 1 Wrap End
(146.188"):**

Part Number
9026486
9026487
9026488
9026489
9026490
9026491
9026492
9026493
9026494
9026495
9028916
9031699
9031736
9031773

**With 2 Wrap Ends
(148.313"):**

Part Number
9026682
9026683
9026684
9026685
9026686
9026687
9026688
9026689
9026690
9026691
9028917
9031700
9031737
9031774





CLADDING, COVERS AND TRIMS - (CONT'D)
NFJG/NCJG/NTJG/NFMJG - 12'

Raceway Cover [Item 10]
Without Partition
(144.062"):

Part Number	Color
9025668	White
9025677	Bone White
9025688	Misty Gray
9025699	Pearl
9025710	Oatmeal
9025721	Soft Sand
9025732	Chromium
9025743	Cool Gray
9025754	Oyster
9025765	Black
9310666	Steel Gray
9031577	Chocolate
9031604	Mocha
9031658	Stone

With Partition
(145.062"):

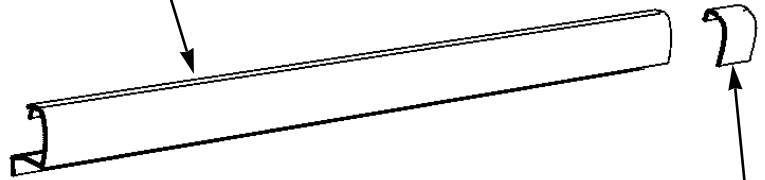
Part Number
9027098
9027099
9027100
9027101
9027102
9027103
9027104
9027105
9027106
9027107
9310667
9031578
9031605
9031659

With 1 Wrap End
(146.188"):

Part Number	Color
9025771	White
9025772	Bone White
9025773	Misty Gray
9025774	Pearl
9025775	Oatmeal
9025776	Soft Sand
9025777	Chromium
9025778	Cool Gray
9025779	Oyster
9025780	Black
9310668	Steel Gray
9031579	Chocolate
9031606	Mocha
9031660	Stone

With 2 Wrap Ends
(148.313"):

Part Number
9027290
9027291
9027292
9027293
9027294
9027295
9027296
9027297
9027298
9027299
9310669
9031580
9031607
9031661

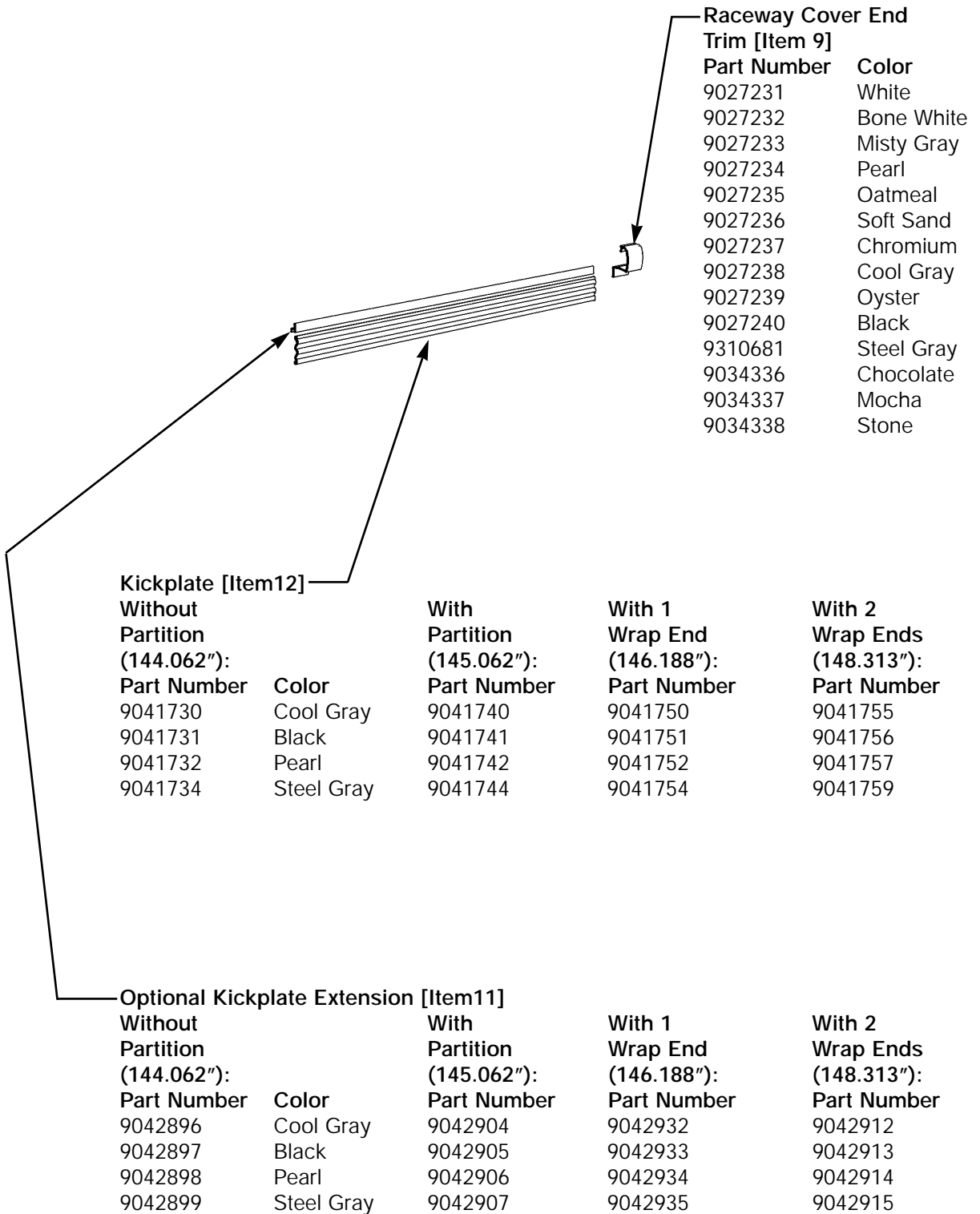


Raceway Cover Backer [Item 8]

Part Number	Color
9025795	White
9025796	Bone White
9025797	Misty Gray
9025798	Pearl
9025799	Oatmeal
9025800	Soft Sand
9025801	Chromium
9025802	Cool Gray
9025803	Oyster
9025804	Black
9310683	Steel Gray
9031907	Chocolate
9031908	Mocha
9031909	Stone



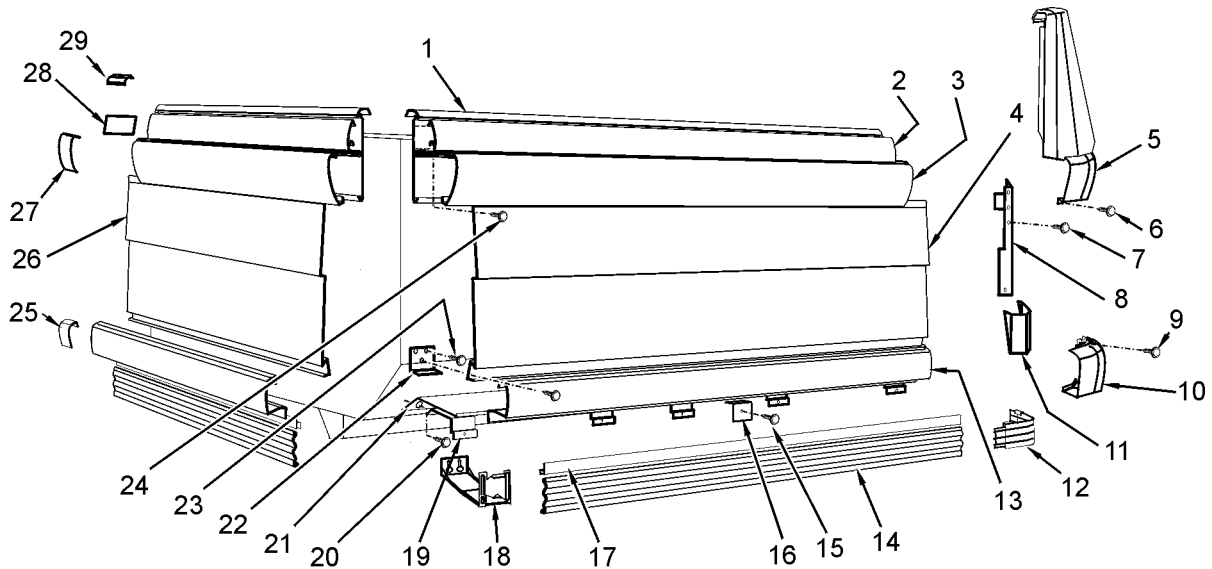
CLADDING, COVERS AND TRIMS - (CONT'D)
 NFJG/NCJG/NTJG/NFMJG - 12'





CLADDING, COVERS AND TRIMS - (CONT'D)

NFJGE/NCJGE



End Merchandiser

Item	Part No.	Qty.	Description	Item	Part No.	Qty.	Description
1	9025867	1	Bumper Retainer, Front	16	9023841	4	Raceway Cover Retainer
	9025866	2	Bumper Retainer, Side	17	+	2	Kickplate Extension [OPTL]
2	9028741	1	Color Band, Front	18	9023565	8	Kickplate Support
	9027329	2	Color Band, Side	19	9300539	5	Kickplate Hanger, Front
3	+	1	Bumper, Front		9300540	4	Kickplate Hanger, Side
	+	2	Bumper, Side		5105037	18	Rivet
4	9041271	1	Cladding, Front	20	5183536	16	Screw
5	+	2	Upper Corner Trim Assy.	21	9300166	1	Front Wiring Raceway
6	9025833	2	Screw		9300267	1	RH Side Raceway
7	5048626	4	Screw		9300268	1	LH Side Raceway
8	9041335	2	Cladding Corner Trim		5183536	16	Screw
9	+	2	Raceway Corner Trim	22	9300197	6	Cladding Retainer (2 per side)
	9300404	2	Raceway Corner Trim Retainer	23	5183536	18	Screw
10	5183536	4	Screw	24	9025833	9	Shoulder Screw
	5100973	4	Washer	25	+	A/R	Raceway Cover Backer
11	9041333	2	Corner Cladding Support	26	9041273	1	Side Cladding, LH
12	9300401	2	Kickplate Corner Trim		9041274	1	Side Cladding, RH
13	+	1	Raceway Cover, Front	27	+	A/R	Bumper Backer
	+	2	Raceway Cover, Side	28	9025982	2	Color Band Backer, Painted
14	+	1	Kickplate, Front	29	9025316	2	Bumper Rtnr./handrail Backer
	+	2	Kickplate, Side				
15	5183536	8	Screw				

+ See pages C10 and C11 for parts breakdown per color.



CLADDING, COVERS AND TRIMS - (CONT'D)

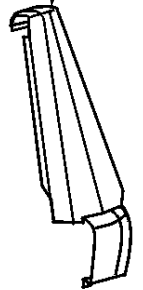
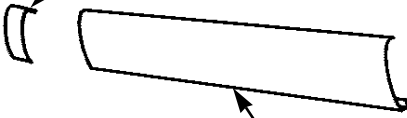
NFJGE/NCJGE

Bumper Backer [Item 28]

Part Number	Color
9025023	White
9025028	Bone White
9025035	Misty Gray
9025038	Pearl
9025041	Oatmeal
9025253	Soft Sand
9025258	Chromium
9025265	Cool Gray
9025268	Oyster
9025271	Black
9028883	Steel Gray
9031884	Chocolate
9031885	Mocha
9031886	Stone

Upper Corner Trim [Item 5]

Part Number	Color
9027316	White
9027617	Bone White
9027318	Misty Gray
9027319	Pearl
9027320	Oatmeal
9027321	Soft Sand
9027322	Chromium
9027323	Cool Gray
9027324	Oyster
9027325	Black
9028969	Steel Gray
9034360	Chocolate
9034361	Mocha
9034362	Stone



Front/Side Bumper [Item 3]

Front (70.062")		Side (36.688")	Color
Part Number	Part Number		
9025032	9025022	White	
9025262	9025252	Bone White	
9025283	9025273	Misty Gray	
9025304	9025294	Pearl	
9025325	9025315	Oatmeal	
9025346	9025336	Soft Sand	
9025367	9025357	Chromium	
9025388	9025378	Cool Gray	
9025409	9025399	Oyster	
9025430	9025420	Black	
9028897	9028886	Steel Gray	
9031678	9031667	Chocolate	
9031715	9031704	Mocha	
9031752	9031741	Stone	



CLADDING, COVERS AND TRIMS - (CONT'D)

NFJGE/NCJGE

Front/Side Raceway Cover [Item 13]

Front (69.062")		Side (36.688")	Color
Part Number	Part Number	Part Number	
9025663	9025659	9025659	White
9025672	9026083	9026083	Bone White
9025683	9025679	9025679	Misty Gray
9025694	9025690	9025690	Pearl
9025705	9025701	9025701	Oatmeal
9025716	9025712	9025712	Soft Sand
9025727	9025723	9025723	Chromium
9025738	9025734	9025734	Cool Gray
9025749	9025745	9025745	Oyster
9025760	9025756	9025756	Black
9310654	9310647	9310647	Steel Gray
9031565	9031558	9031558	Chocolate
9031592	9031585	9031585	Mocha
9031646	9031639	9031639	Stone

Raceway Corner Trim [Item 10]

Part Number	Color
9041800	White
9041801	Bone White
9041802	Misty Gray
9041803	Pearl
9041804	Oatmeal
9041805	Soft Sand
9041806	Chromium
9041807	Cool Gray
9041808	Oyster
9041809	Black
9041811	Steel Gray
9041812	Chocolate
9041813	Mocha
9041814	Stone
9041815	Cherry Red
9041333	Supports

Kickplate Corner Trim [Item 12]

Part Number	Color
9042157	Cool Gray
9042158	Black
9042159	Pearl
9042160	Steel Gray

Front/Side Kickplate [Item 14]

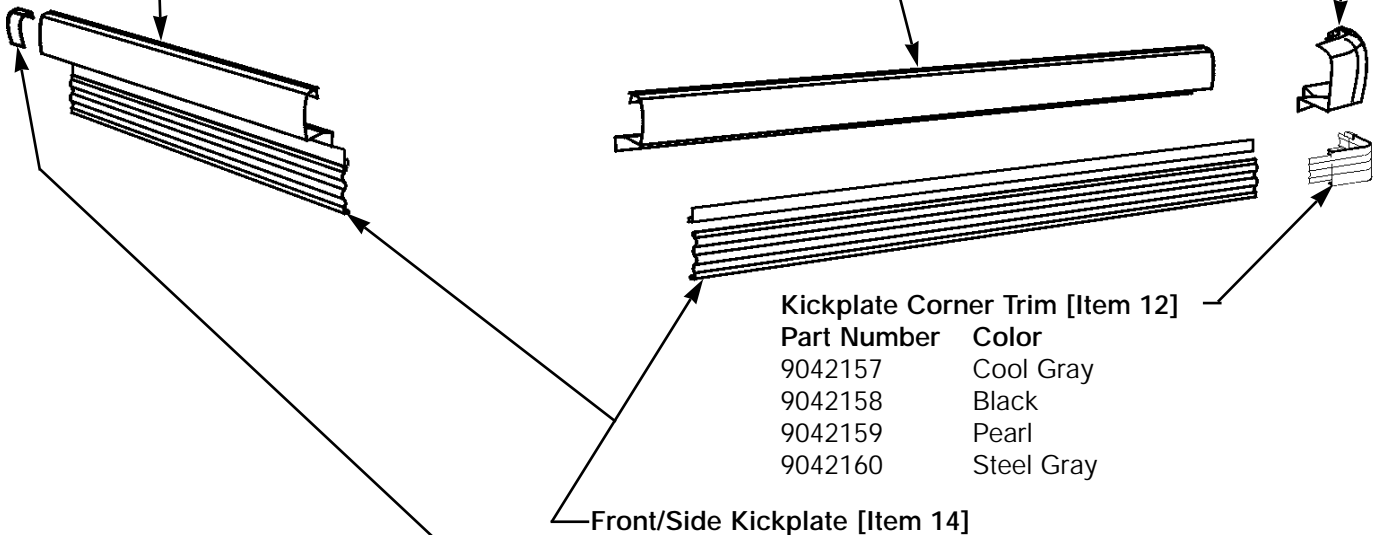
Front (70.062")		Side (36.688")	Color
Part Number	Part Number	Part Number	
9025622	9025615	9025615	Cool Gray
9026034	9026006	9026006	Black
9026051	9026044	9026044	Pearl
9035212	9035201	9035201	Steel Gray

Optional Front/Side Kickplate Extension [Item 17]

Front (70.062")		Side (36.688")	Color
Part Number	Part Number	Part Number	
9042828	9042784	9042784	Cool Gray
9042829	9042785	9042785	Black
9042830	9042786	9042786	Pearl
9042831	9042787	9042787	Steel Gray

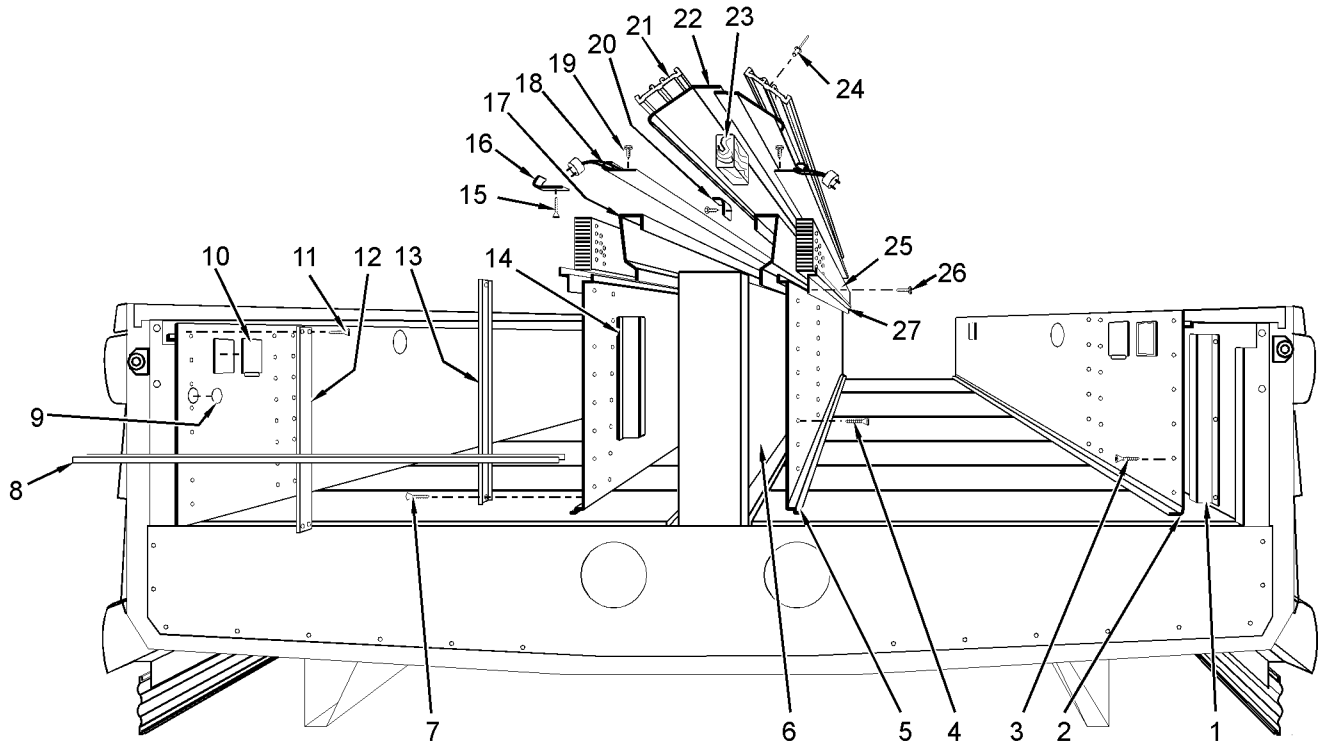
Raceway Cover Backer [Item 27]

Part Number	Color
9025795	White
9025796	Bone White
9025797	Misty Gray
9025798	Pearl
9025799	Oatmeal
9025800	Soft Sand
9025801	Chromium
9025802	Cool Gray
9025803	Oyster
9025804	Black
9310683	Steel Gray
9031907	Chocolate
9031908	Mocha
9031909	Stone





STRUCTURAL COMPONENTS
 DUCTS AND PANELS - NFJG/NCJG/NTJG/NFMJG

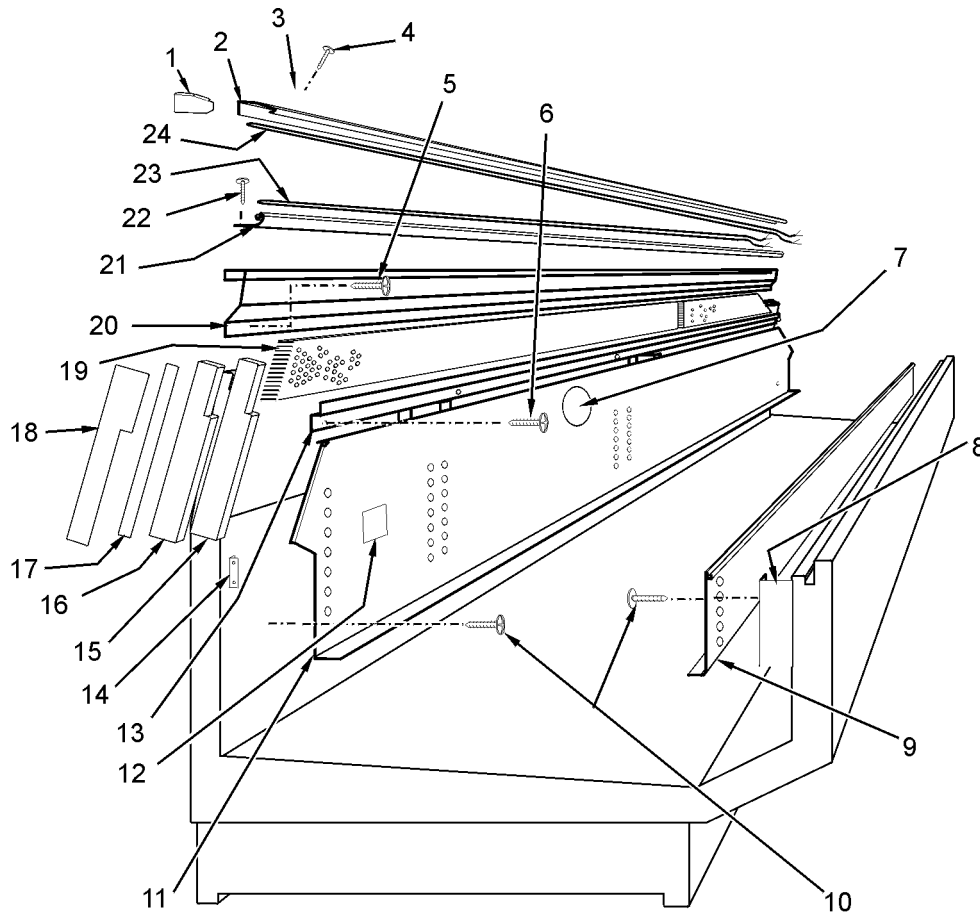


8' or 12' Merchandiser

Item	Part No.	Quantity		Description	Item	Part No.	Quantity		Description
		8'	12'				8'	12'	
1	5227993	4	8	Front/Rear Z-Bar	16	5228307	2	2	Riser Joint Trim
	5183536	16	32	Screw	17	5230263	2	2	Air Vane
2	5225584	2	-	Front Duct	18	5230265	2	-	Lower Trim Rail Assy.
	5225585	-	2	Front Duct		5230266	-	2	Lower Trim Rail Assy.
3	5048626	24	28	Screw	19	5183536	8	12	Screw
4	5048626	30	42	Screw	20	5230234	2	4	Shelf Upright Support
5	5238706	2	-	Rear Duct		5100634	4	6	Hex Nut
	5238707	-	2	Rear Duct		5109019	4	6	Screw
6	5233125	1	-	Center Divider Assy.	21	5120107	2	-	Card Molding
	5233126	-	1	Center Divider Assy.		5120108	-	2	Card Molding
7	5048626	8	8	Screw	22	5228288	2	-	Top Riser Cap
8	5196166	2	2	Horizontal End Trim		5228289	-	2	Top Riser Cap
	5001143	68"	68"	Tape		5205439	4	6	Screw
9	5100918	4	4	Plug Button	23	5225018	4	6	Wood Spacer
10	5646033	4	4	Inspection Hole Cover	24	5105037	3	6	Rivet
11	5048626	8	8	Screw	*	5227955	4	6	Grid & Retainer Assy.
12	5228309	2	2	Front Duct Joint Trim	25	5208576	4	6	Discharge Grid
13	5228308	2	2	Rear Duct Joint Trim	26	5102643	12	18	Screw
14	5227920	4	6	Rear Z-Bar	27	5227956	4	6	Lower Grid Retainer
	5199728	6	9	Rivet		5214669	A/R	A/R	Silaprene Adhesive
15	5048626	4	4	Screw					



STRUCTURAL COMPONENTS - (CONT'D)
 DUCTS AND PANELS - NFJGE/NCJGE

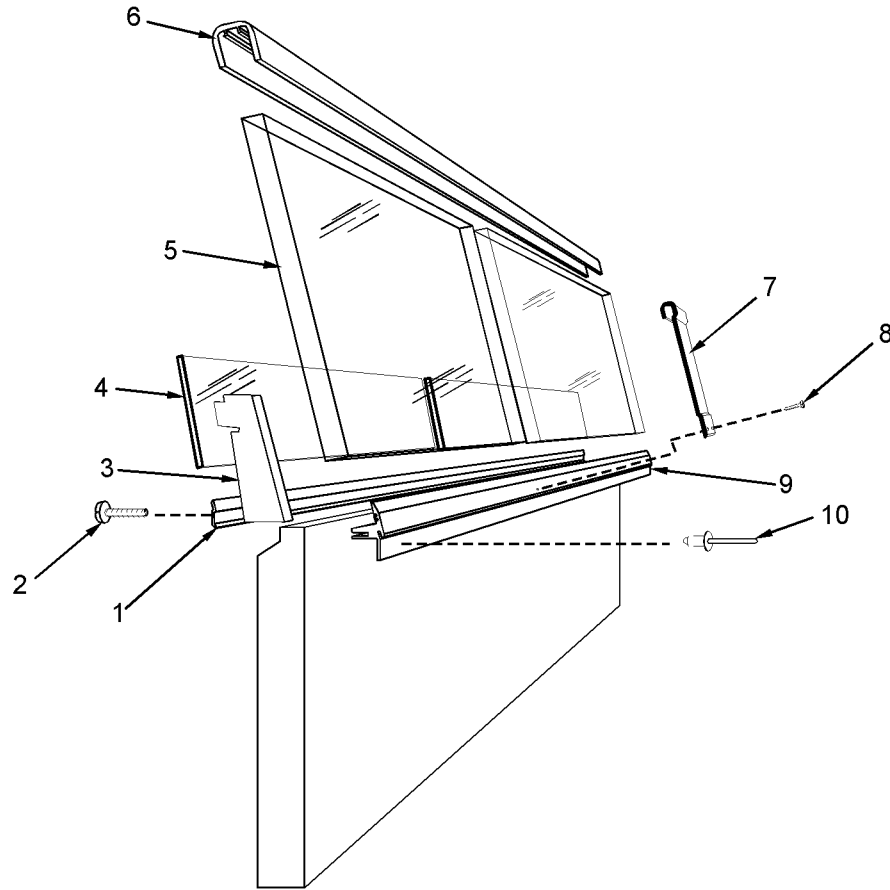


End Merchandiser

Item	Part No.	Qty.	Description	Item	Part No.	Qty.	Description
1	5229560	1	RH Trim Guard End Close-off	13	9303201	1	Grid Retainer
	5229561	1	LH Trim Guard End Close-off	14	9303200	2	Rear Duct Gap Cover
2	9311358	1	Rear Trim Guard Bench Assy.	15	9311258	1	LH Inside CVR Close-off
	9311261	1	Rear Trim Guard	16	5229595	2	1" Beadboard
	5057259	12'	Aluminum Tape		5229565	1	LH Close-off Insulation
	5048626	4	Screw		5229564	1	RH Close-off Insulation
3	9311329	1	Card Molding	17	9311338	2	1/2" Beadboard
	9122282	2	Card Molding JT Trim	18	5229551	2	Liner
4	5048626	4	Screw	19	5208576	2	Discharge Grid
5	5120943	8	Screw	20	5225273	1	Air Vane
6	5120943	4	Screw	21	9311346	1	Lower Trim Rail Bench Assy.
7	5605357	1	Sensor Plate (behind opening)		9311077	1	Lower Trim Rail
8	5225255	4	Front Z-Bar	22	5120943	4	Screw
	5183536	8	Screw	23	5225474	1	Heater Wire 20 ohm/ft
9	9311022	1	Front Duct		5057259	A/R	Aluminum Tape
10	5048626	18	Screw	24	5028893	1	Heater Wire 25 ohm/ft
11	9303180	1	Rear Duct				
*	9311264	1	Grid & Retainer Assy.				
12	5605357	1	UPR Duct Sensor Plate				



STRUCTURAL COMPONENTS - (CONT'D)
FRONT GLASS - NFJG/NCJG/NTJG/NFMJG

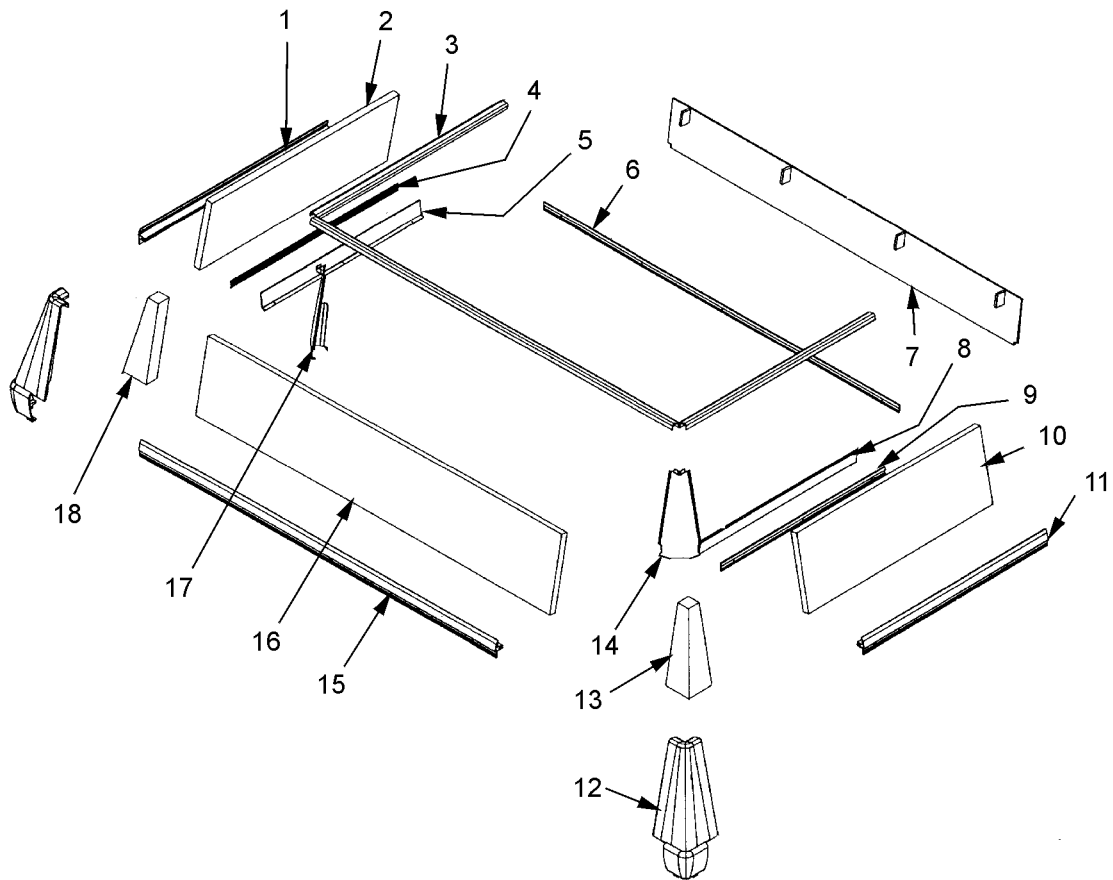


8' or 12' Merchandiser

Item	Part No.	Quantity		Description	Item	Part No.	Quantity		Description
		8'	12'				8'	12'	
1	5201014	2	-	Rear Glass Retainer	6	9026086	2	-	Front Glass Rail
	5201015	-	2	Rear Glass Retainer		9026085	-	2	Front Glass Rail
2	5203018	16	24	Screw	7	9301808	2	2	Glass Joint Trim Assy. (ctr)
3	9311573	4	4	LH Glass Brkt. Supt. Assy.		9301808	2	2	Glass Joint Trim Assy. (end)
	9311574	4	4	RH Glass Brkt. Supt. Assy.	8	5048626	8	8	Screw (2 per joint trim)
	9311464	2	2	LH BTM CTR Glass Support	9	9300586	2	-	Front Retainer Assy.
	9311465	2	2	RH BTM CTR Glass Support		9300587	-	2	Front Retainer Assy.
	4	5225336	4	-		Barrier Plexiglas	5228279	2	-
5	5228220	-	4	Barrier Plexiglas	5228280	-	2	Front Retainer	
	5227998	4	-	Front Thermo Glass	5218331	2	-	Heater Wire 12.6 ohm/ft	
	5957497	-	4	Front Thermo Glass	5218332	-	2	Heater Wire 9.6 ohm/ft	
	5228291	A/R	A/R	Butyl Tape	5057259	A/R	A/R	Aluminum Tape	
					10	5105037	10	14	Rivet



STRUCTURAL COMPONENTS - (CONT'D)
TOP GLASS - NFJGE/NCJGE

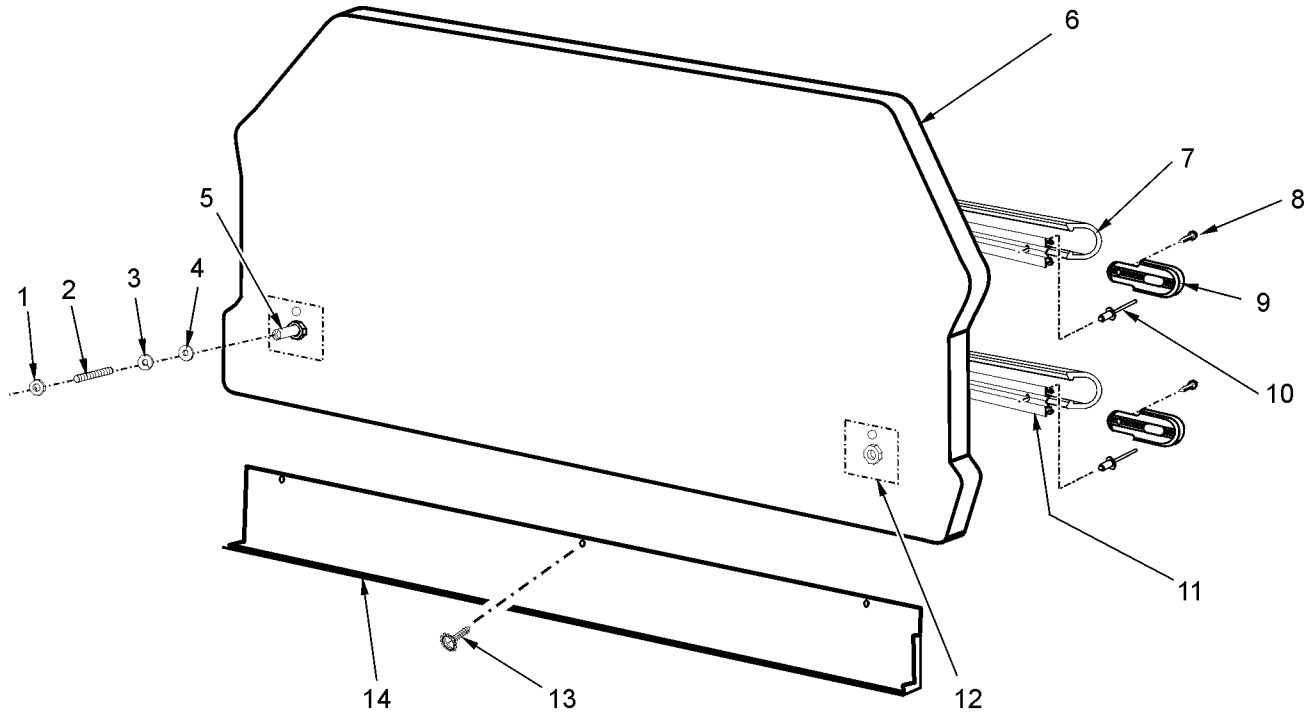


End Merchandiser

Item	Part No.	Qty.	Description	Item	Part No.	Qty.	Description
1	9311325	1	Front Glass Retainer-End	9027322	2	Corner Trim Assy. - Chromium	
	5183536	5	Screw	9027323	2	Corner Trim Assy. - Cool Gray	
2	5224968	1	Thermo Glass-End	9027324	2	Corner Trim Assy. - Oyster	
3	9301986	1	Glass Rail - One Piece	9027325	2	Corner Trim Assy. - Black	
4	9311327	1	Front Glass Retainer-End	9028969	2	Corner Trim Assy. - Steel Gray	
	5100235	5	Screw	9034360	2	Corner Trim Assy. - Chocolate	
5	9311019	1	Internal Glass Support Cover	9034361	2	Corner Trim Assy. - Mocha	
6	5224977	1	Retainer	9029589	2	Corner Trim Assy. - Cherry Red	
	5100235	5	Screw	13	9311024	1	Glass Front Corner Foam
7	9030680	1	Plexiglas Barrier	14	9311021	1	RH Corner Cover Weldment
8	9311019	1	Internal Glass Support Cover		5048626	2	Screw
9	9311327	1	Front Glass Retainer-End	15	9311326	1	Front Glass Retainer
	5100235	5	Screw		5183536	5	Screw
10	5224968	1	Thermo Glass-End	16	9030678	1	Thermo Front Glass - Front
11	9311325	1	Front Glass Retainer-End	17	9311020	1	LH Corner Cover
	5183536	5	Screw		5048626	2	Screw
12	9027316	2	Corner Trim Assy. - White	18	9311024	1	Glass Front Corner Foam
	9027317	2	Corner Trim Assy. - Bone WHT				
	9027318	2	Corner Trim Assy. - Misty Gray				
	9027319	2	Corner Trim Assy. - Pearl				
	9027320	2	Corner Trim Assy. - Oatmeal				
	9027321	2	Corner Trim Assy. - Soft Sand				



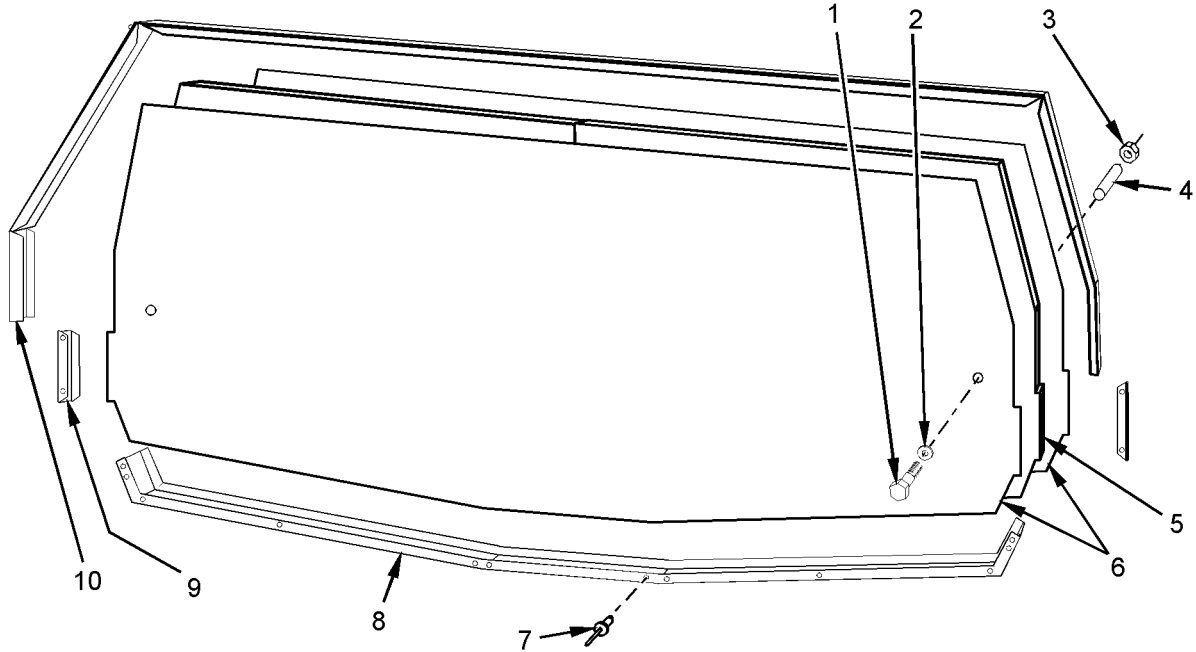
STRUCTURAL COMPONENTS - (CONT'D)
 PATCH ENDS, PARTITIONS AND DIVIDERS
 Solid Patch End - NFJG/NCJG/NTJG/NFMJG



Item	Part No.	Qty.	Description	Item	Part No.	Qty.	Description
*	9022327	1	Flat End Assy., Ptd. w/ FRP Liner RH		9027984	2	1" End Bumper, Pearl
*	9302079	1	Flat End Assy., Ptd. w/ FRP Liner LH		9029317	2	1" End Bumper, Pearly Gates
1	5100625	2	Nut, 5/16"-18	8	5053985	4	Screw
2	9022759	2	Stud, 5/16"-18 x 3"	9	9027744	4	End Cap, Black
3	5101003	2	Lockwasher		9027743	4	End Cap, Cool Gray
4	5100976	2	Washer		9027742	4	End Cap, Pearl
5	9022756	2	Threaded Insert	10	5104702	36	Rivet
*	9028257	1	Flat End Bench Assy., Ptd. w/ FRP Liner (RH & LH)	11	9027885	2	Mounting Retainer
7	9027983	2	1" End Bumper, Black	12	9022760	2	Plate
	9027982	2	1" End Bumper, Cool Gray	13	5048626	3	Screw
				14	9027925	1	End Base Close-off



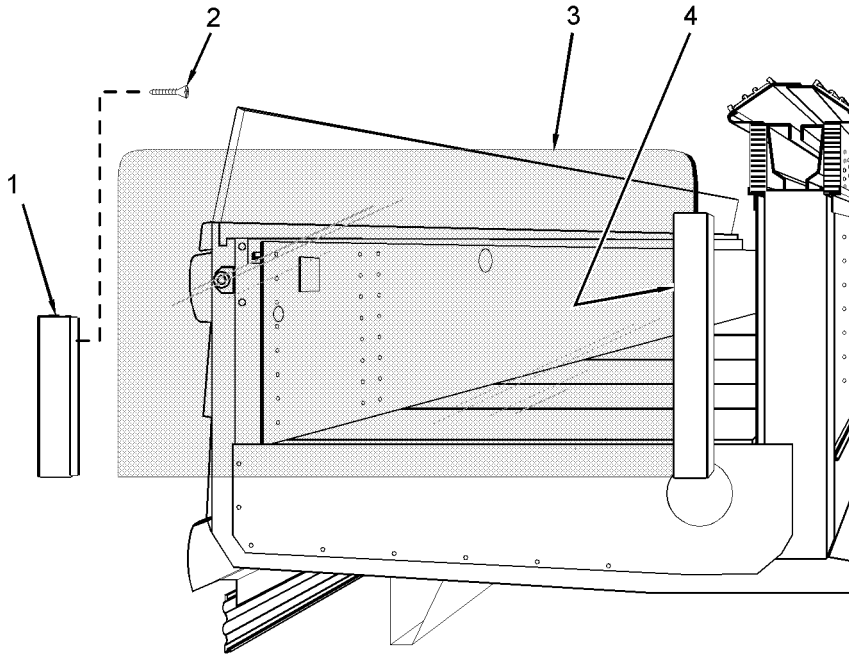
STRUCTURAL COMPONENTS - (CONT'D)
PATCH ENDS, PARTITIONS AND DIVIDERS
1" Solid Partition - NFJG/NCJG/NTJG/NFMJG



Item	Part No.	Qty.	Description	Item	Part No.	Qty.	Description
*	9022974	1	1" Solid Partition w/ WHT Liner	5	5057165	1	Beadboard
*	9322762	1	1" Solid Partition w/ BLK Liner	6	9028213	2	Panel and Liner-White
1	5145961	2	Screw		9322622	2	Panel and Liner-Black
2	5100979	2	Washer	7	5104702	40	Rivet
3	5126973	2	Nut	8	9028215	1	Lower Trim, Ptd.
4	5053056	2	Sleeve	9	9028214	2	Side Trim, Ptd.
*	9030002	1	1" Partition Bench Assy., Ptd. w/ White Liner	10	9028216	1	Upper Trim, Ptd.
*	9322778	1	1" Partition Bench Assy., Ptd. w/ Black Liner				



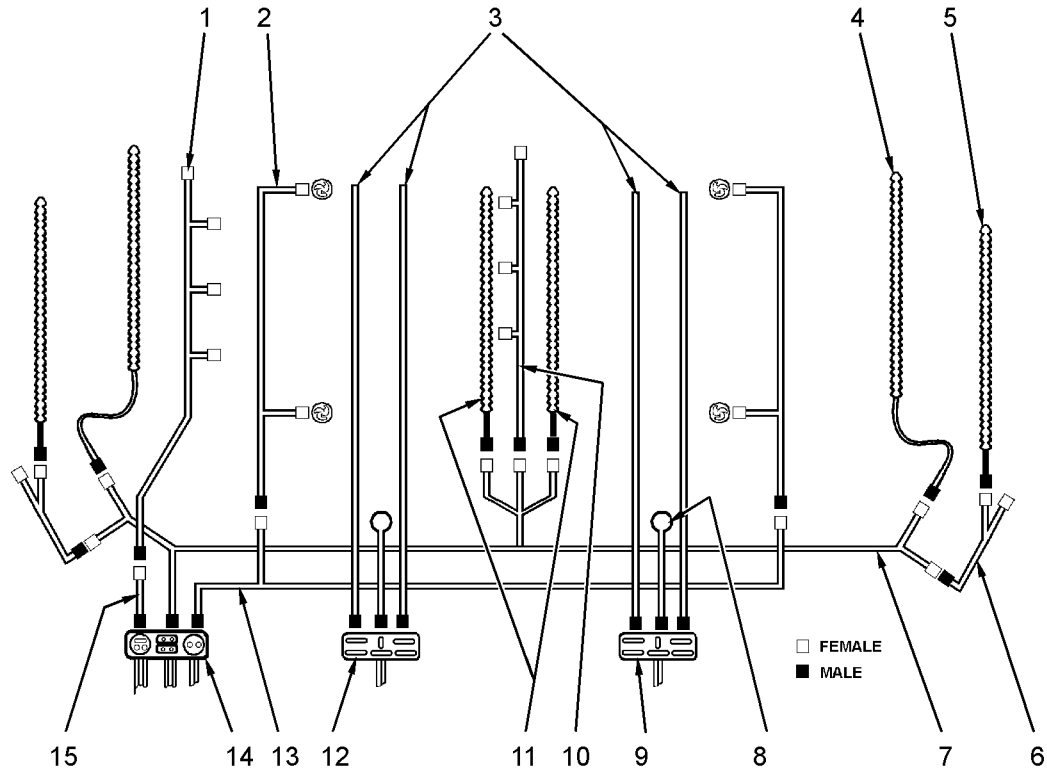
STRUCTURAL COMPONENTS - (CONT'D)
PATCH ENDS, PARTITIONS AND DIVIDERS
Inside Plexiglas Divider - NFJG/NCJG/NTJG/NFMJG



Item	Part No.	Qty.	Description
*	5228558	2	Inside Plexiglas Divider Assy.
1	5228557	2	Front Support Assy.
2	5205439	12	Screw
3	5228554	2	Plexiglas Divider
4	5028559	2	Center Support Assy.



ELECTRICAL SYSTEM COMPONENTS
WIRING HARNESSSES - NFJG/NCJG/NTJG/NFMJG
 Wiring and Components

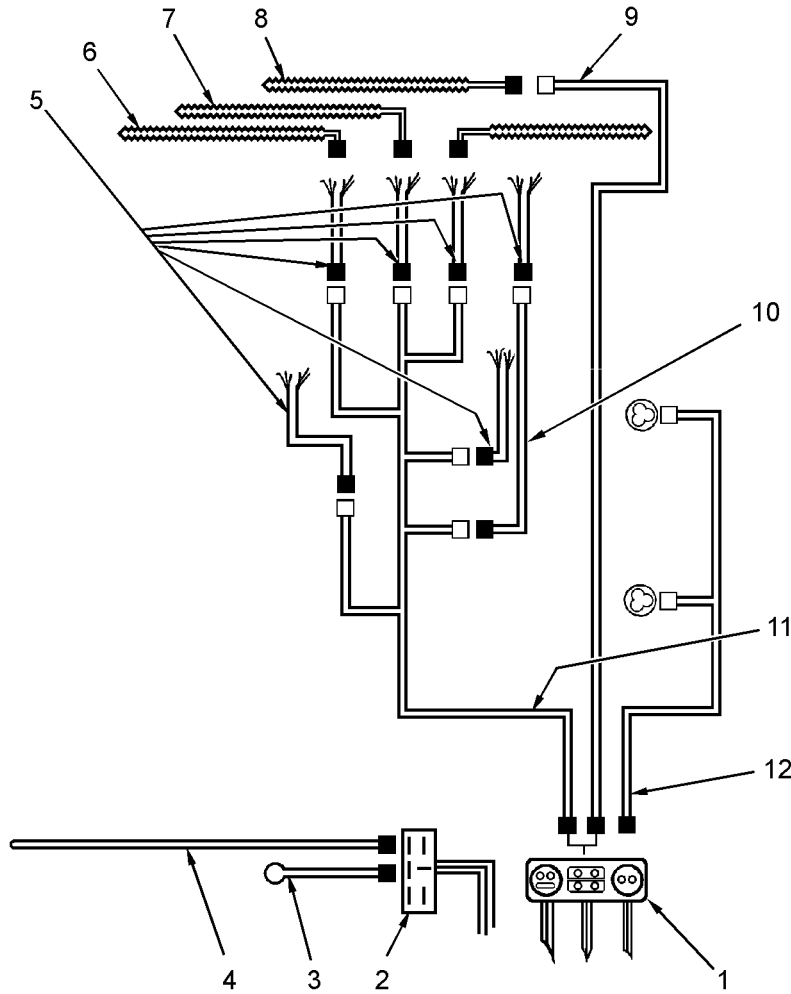


8' and 12' Merchandiser

Item	Part No.	Quantity		Description	Item	Part No.	Quantity		Description
		8'	12'				8'	12'	
1	5230420	1	-	Opt. Light Harness, Superstructure	8	5125211	2	2	Klixon Thermostat
	5230421	-	1	Opt. Light Harness, Superstructure	9	5219933	1	1	Supply Harness, 220V
2	5199414	2	-	Fan Harness	10	5230418	1	-	Opt. Anti-Sweat Harness, Superstructure
	5199415	-	2	Fan Harness	5230419	-	1	1	Opt. Anti-Sweat Harness, Superstructure
3	5960934	2	2	Defrost Heater (LFJG/LFMJG)	11	5124818	2	-	Center Partition Heater Wire
	5960934	4	4	Defrost Heater (LCJG/LTJG)	12	5219930	1	1	Supply Harness, 220V
4	5124818	2	-	Heater Wire-8 ohm/ft	13	5199447	1	1	Fan Harness
	5124819	-	2	Heater Wire-4 ohm/ft	14	5219793	1	1	Supply Harness, 115V
5	5218331	2	-	Heater Wire, Glass-8 ohm/ft	15	5220484	1	1	Adapter Harness
	5215332	-	2	Heater Wire, Glass-4 ohm/ft	Options				
6	5124209	2	2	Heater Harness	9023508	1	1	1	H.G. Term Klixon-55/40 [H.G. Med/Dual Temp. Only]
7	5212544	1	1	Anti-Sweat Harness	9023503	1	1	1	Fan Cont. Klixon-50/40 [H.G. Med/Dual Temp. Only]



ELECTRICAL SYSTEM COMPONENTS - (CONT'D)
WIRING HARNESSSES - NFJGE/NCJGE
 Wiring and Components



End Merchandiser

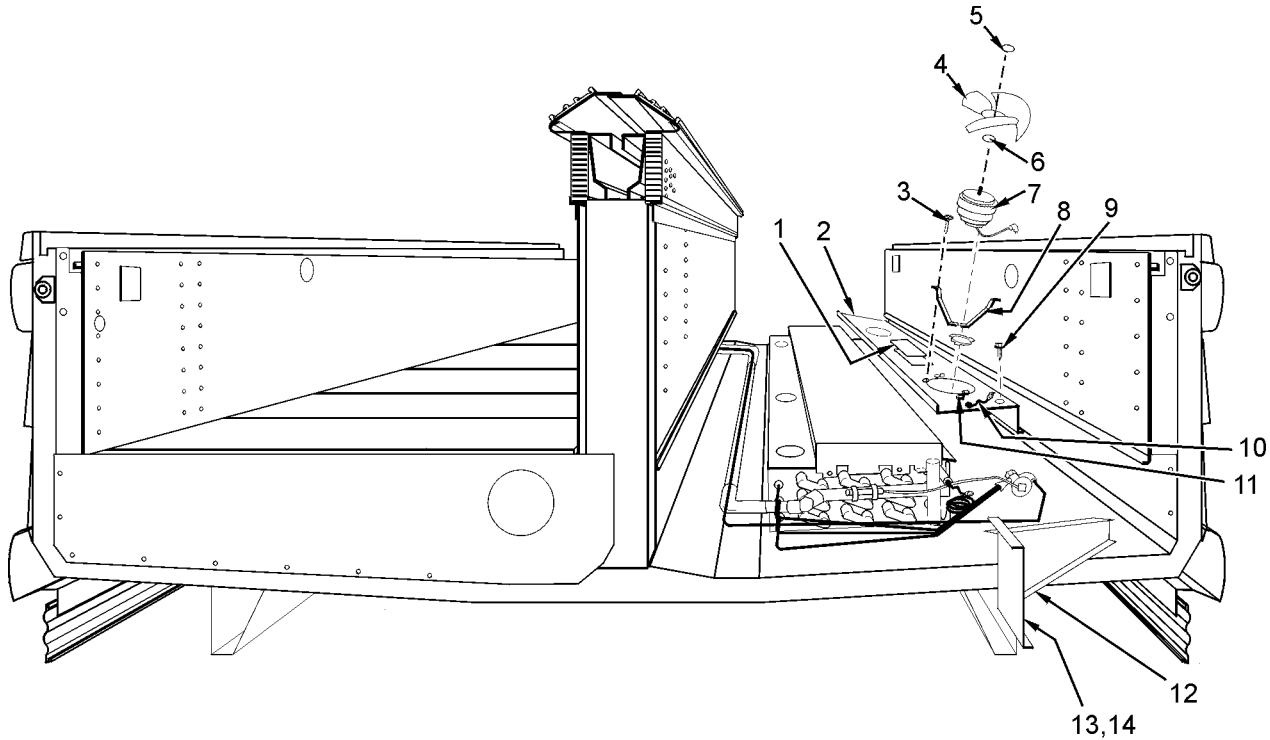
Item	Part No.	Qty.	Description
1	5199320	1	Harness, 115V Input
2	5625360	1	Harness, 220V Input
3	5125211	1	Klixon Thermostat
4	5195710	1	Defrost Heater
5	5129895	6	Wiring Harness
6	5225475	2	Heater Wire, Side Glass Retainer, 57 ohm/ft
7	5233734	1	Heater Wire, Front Glass Retainer, 16.5 ohm/ft
8	5225474	1	Heater Wire, Discharge Air, 20 ohm/ft
9	5125832	1	Wiring Harness
10	5123836	1	Glass Panel Harness
11	5233210	1	Anti-Sweat Harness
12	5199414	1	Fan Harness

Options

9023508	1	H.G. Term Klixon-55/40 [H.G. Med/Dual Temp. Only]
9023503	1	Fan Cont. Klixon-50/40 [H.G. Med/Dual Temp. Only]



ELECTRICAL SYSTEM COMPONENTS - (CONT'D)
 FAN SYSTEMS - NFJG/NCJG/NTJG/NFMJG

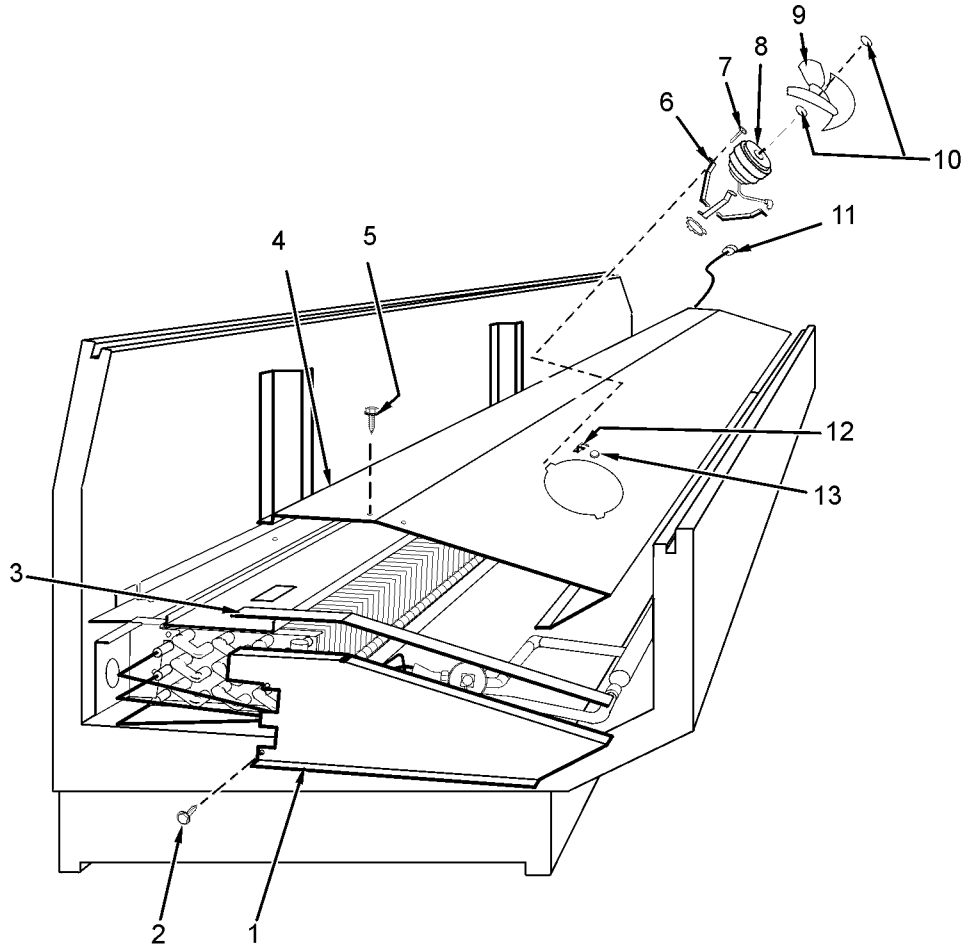


8' and 12' Merchandiser

Item	Part No.	Quantity		Description	Item	Part No.	Quantity		Description
		8'	12'				8'	12'	
1	5644806	2	2	Inspection Hole Cover					
	5183536	2	2	Screw	11	5206177	2	3	Fan Harness Clip
2	5228196	2	-	Fan Panel		5122007	2	3	Strain Relief
	5228197	-	2	Fan Panel	12	5233395	1	1	RH Front Coil & Fan Panel Close-off
*	5644663	4	6	Fan Motor & Bracket Assy.115V		5228192	1	1	LH Front Coil & Fan Panel Close-off
*	9310625	4	6	Fan Motor Assy. OPT ECM	13	5233396	1	1	RH Rear Coil & Fan Panel Close-off
3	5224128	12	18	Screw		5228193	1	1	LH Rear Coil & Fan Panel Close-off
4	5105621	4	6	Fan Blade 6" 21° 3B 115V	14	5233330	2	2	LH/RH Rear Coil & Fan Panel Close-off
	5104294	4	6	Fan Blade 6" 27° 3B 220V					
	9025138	4	6	ECM Fan Blade 6" 25 1/4° 3B					
5	-----	4	6	Nut (furnished w/motor)					
6	-----	4	6	Gasket (furnished w/motor)					
7	5644521	4	6	Fan Motor 5W 115V					
	5126572	4	6	Fan Motor 5W 220V					
	9025002	4	6	Fan Motor 8W ECM					
8	5213132	12	18	Fan Motor Bracket 115V/220V					
	5205279	12	18	Fan Motor Bracket ECM					
	9041077	4	6	Fan Bracket MTG Bracket					
9	5183536	8	10	Screw					
10	5199414	2	-	Fan Motor Harness					
	5199415	-	2	Fan Motor Harness					



ELECTRICAL SYSTEM COMPONENTS - (CONT'D)
 FAN SYSTEMS - NFJGE/NCJGE

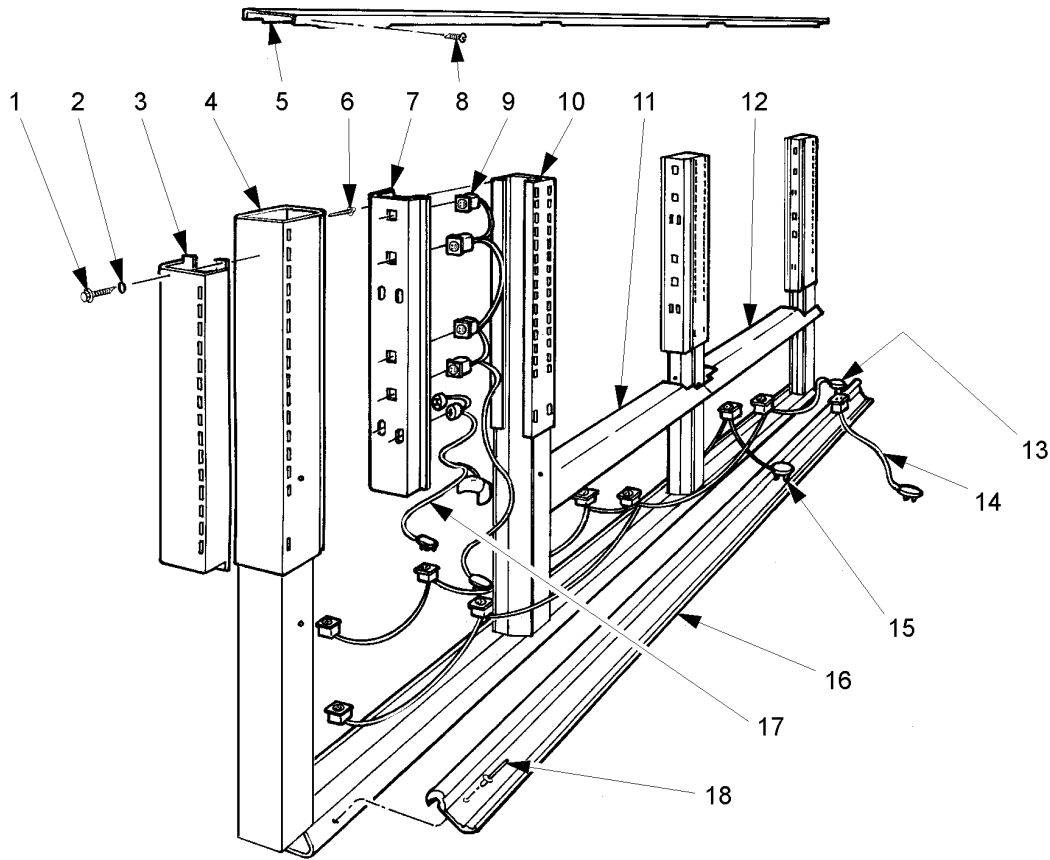


End Merchandiser

Item	Part No.	Qty.	Description	Item	Part No.	Qty.	Description
1	5963482	1	LH Fan Panel Close-off	8	5644521	2	Fan Motor 5W 115V
	5963481	1	RH Fan Panel Close-off		5126572	2	Fan Motor 5W 220V
2	5120943	4	Screw		9025002	2	Fan Motor 8W ECM
3	5107190	160"	Gasket, Ethofoam	9	5105621	2	Fan Blade 6" 21° 3 B 115V
4	5963480	1	Fan Panel		5104294	2	Fan Blade 6" 27° 3 B 220V
5	5120943	10	Screw		9025138	2	ECM Fan Blade 6" 25 1/4° 3 B
*	5644663	2	Fan Motor & Bracket Assy.	10	----	2	Nut and Gasket
*	9310625	2	Fan Motor Assy. OPT ECM				(furnished w/ motor)
6	5213132	6	Fan Motor Bracket 115V/220V	11	5199414	1	Fan Motor Harness
	5205279	6	Fan Motor Bracket ECM	12	5206177	2	Fan Harness Clip
	9041077	3	Fan Bracket MTG Plate		5120943	2	Screw
7	5224128	6	Screw	13	5122007	3	Strain Relief



ELECTRICAL SYSTEM COMPONENTS - (CONT'D)
 OPTIONAL SUPERSTRUCTURE COMPONENTS - NFJG/NCJG/NTJG/NFMJG
 Superstructure Uprights - 6"/15"/20"/26"

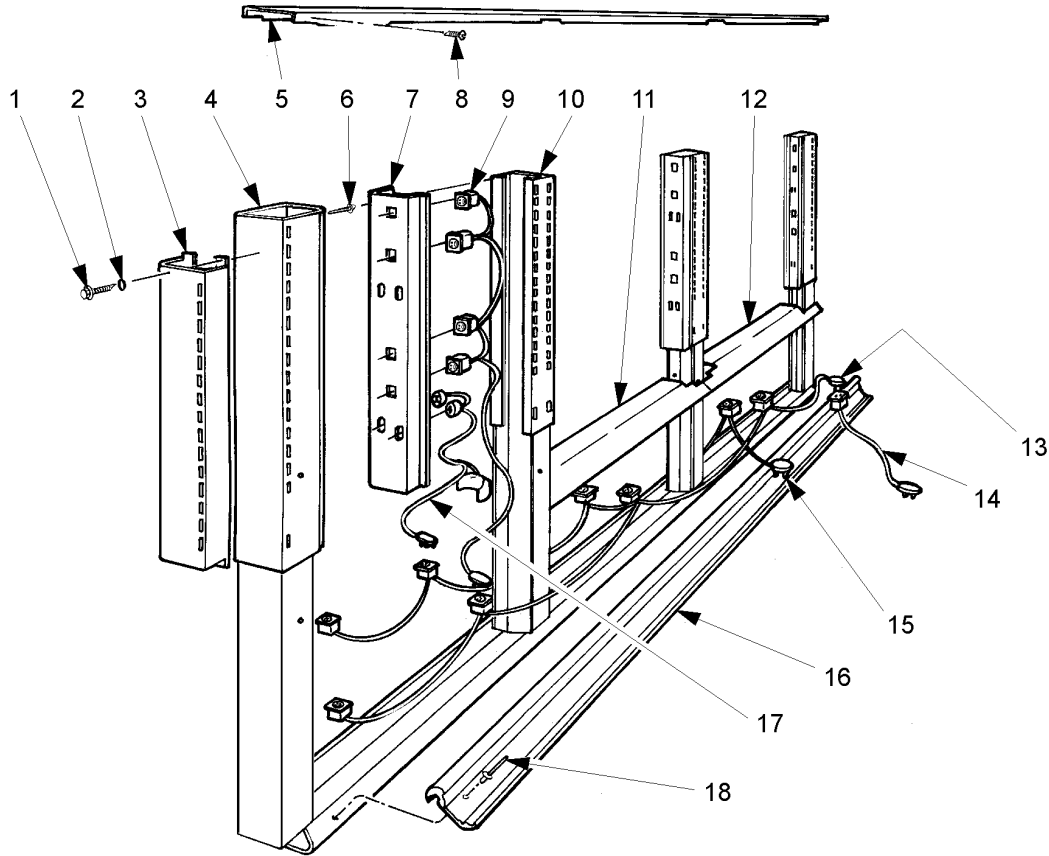


8' Merchandiser

Item	Part No.	Quantity				Description	Item	Part No.	Quantity				Description
		6"	15"	20"	26"				6"	15"	20"	26"	
*	5230309	1	-	-	-	36" Uprtg Assy w/o Lights	8	5100212	6	6	6	6	Screw
*	5230311	-	1	-	-	45" Uprtg Assy w/o Lights	9	5220500	1	1	-	-	Harness
*	5230313	-	-	1	-	50" Uprtg Assy w/o Lights		5220502	-	-	2	-	Harness
*	5230315	-	-	-	1	56" Uprtg Assy w/o Lights		5220487	-	-	-	2	Harness
*	5230317	1	-	-	-	36" Uprtg Assy w/ Lights	10	5230290	1	-	-	-	Ctr Uprtg Assy w/ Lights
*	5230319	-	1	-	-	45" Uprtg Assy w/ Lights		5230291	-	1	-	-	Ctr Uprtg Assy w/ Lights
*	5230321	-	-	1	-	50" Uprtg Assy w/ Lights		5230292	-	-	1	-	Ctr Uprtg Assy w/ Lights
*	5230323	-	-	-	1	56" Uprtg Assy w/ Lights		5230293	-	-	-	1	Ctr Uprtg Assy w/ Lights
1	5100746	N/A	N/A	4	4	Screw		5230286	1	-	-	-	Ctr Uprtg Assy w/o Lights
2	5101000	N/A	N/A	4	4	Lockwasher		5230287	-	1	-	-	Ctr Uprtg Assy w/o Lights
3	5196349	N/A	1	-	-	Uprtg Post		5230288	-	-	1	-	Ctr Uprtg Assy w/o Lights
	5196350	N/A	-	1	-	Uprtg Post		5230289	-	-	-	1	Ctr Uprtg Assy w/o Lights
	5196351	N/A	-	-	1	Uprtg Post	11	----	N/A	N/A	N/A	N/A	Center Riser Cap
4	5230506	2	-	-	-	End Uprtg Assembly	12	5230227	2	2	2	2	End Riser Cap
	5230507	-	2	-	-	End Uprtg Assembly		5230228	2	2	2	2	End Riser Cap
	5230508	-	-	2	-	End Uprtg Assembly	13	5230420	1	1	1	1	Wiring Harness
	5230509	-	-	-	2	End Uprtg Assembly	14	5220484	1	1	1	1	Wiring Harness
5	5196332	1	1	1	1	Uprtg Channel	15	5230418	1	1	1	1	Wiring Harness
6	5105037	4	4	6	6	Rivet	16	5236930	2	2	2	2	Card Molding
7	5234391	2	-	-	-	Harness Support		5941919	2	2	2	2	Card Molding Joint Trim
	5230441	-	2	-	-	Harness Support	17	5196307	1	1	1	1	Heater Harns w/ Uprtg Htr
	5230442	-	-	2	-	Harness Support		5230417	1	1	1	1	Heater Harness
	5230443	-	-	-	2	Harness Support	18	5104702	6	6	6	6	Rivet



ELECTRICAL SYSTEM COMPONENTS - (CONT'D)
 OPTIONAL SUPERSTRUCTURE COMPONENTS - NFJG/NCJG/NTJG/NFMJG
 Superstructure Uprights - 6"/15"/20"/26"

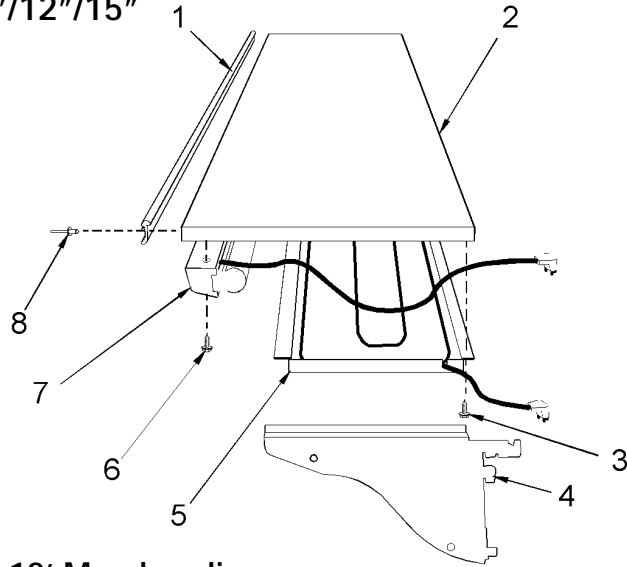


12' Merchandiser

Item	Part No.	Quantity				Description	Item	Part No.	Quantity				Description
		6"	15"	20"	26"				6"	15"	20"	26"	
*	5230310	1	-	-	-	36" Uprt Assy w/o Lights	8	5100212	8	8	8	8	Screw
*	5230312	-	1	-	-	45" Uprt Assy w/o Lights	9	5220500	1	1	-	-	Harness
*	5230314	-	-	1	-	50" Uprt Assy w/o Lights		5220502	-	-	2	-	Harness
*	5230316	-	-	-	1	56" Uprt Assy w/o Lights		5220487	-	-	-	2	Harness
*	5230318	1	-	-	-	36" Uprt Assy w/ Lights	10	5230290	1	-	-	-	Ctr Uprt Assy w/ Lights
*	5230320	-	1	-	-	45" Uprt Assy w/ Lights		5230291	-	1	-	-	Ctr Uprt Assy w/ Lights
*	5230322	-	-	1	-	50" Uprt Assy w/ Lights		5230292	-	-	1	-	Ctr Uprt Assy w/ Lights
*	5230324	-	-	-	1	56" Uprt Assy w/ Lights		5230293	-	-	-	1	Ctr Uprt Assy w/ Lights
1	5100746	N/A	N/A	4	4	Screw		5230286	1	-	-	-	Ctr Uprt Assy w/o Lights
2	5101000	N/A	N/A	4	4	Lockwasher		5230287	-	1	-	-	Ctr Uprt Assy w/o Lights
3	5196349	N/A	1	-	-	Upright Post		5230288	-	-	1	-	Ctr Uprt Assy w/o Lights
	5196350	N/A	-	1	-	Upright Post		5230289	-	-	-	1	Ctr Uprt Assy w/o Lights
	5196351	N/A	-	-	1	Upright Post	11	5230229	2	2	2	2	Center Riser Cap
4	5230506	2	-	-	-	End Upright Assembly	12	5230227	2	2	2	2	End Riser Cap
	5230507	-	2	-	-	End Upright Assembly		5230228	2	2	2	2	End Riser Cap
	5230508	-	-	2	-	End Upright Assembly	13	5230421	1	1	1	1	Wiring Harness
	5230509	-	-	-	2	End Upright Assembly	14	5220484	1	1	1	1	Wiring Harness
5	5196332	1	1	1	1	Upright Channel	15	5230419	1	1	1	1	Wiring Harness
6	5105037	4	4	6	6	Rivet	16	5236936	2	2	2	2	Card Molding
7	5234391	2	-	-	-	Harness Support		5941919	2	2	2	2	Card Molding Joint Trim
	5230441	-	2	-	-	Harness Support	17	5196307	1	1	1	1	Heater Harns w/ Uprt Htr
	5230442	-	-	2	-	Harness Support		5230417	1	1	1	1	Heater Harness
	5230443	-	-	-	2	Harness Support	18	5104702	8	8	8	8	Rivet



ELECTRICAL SYSTEM COMPONENTS - (CONT'D)
 OPTIONAL SUPERSTRUCTURE COMPONENTS - NFJG/NCJG/NTJG/NFMJG
 Superstructure Shelving - 9"/12"/15"

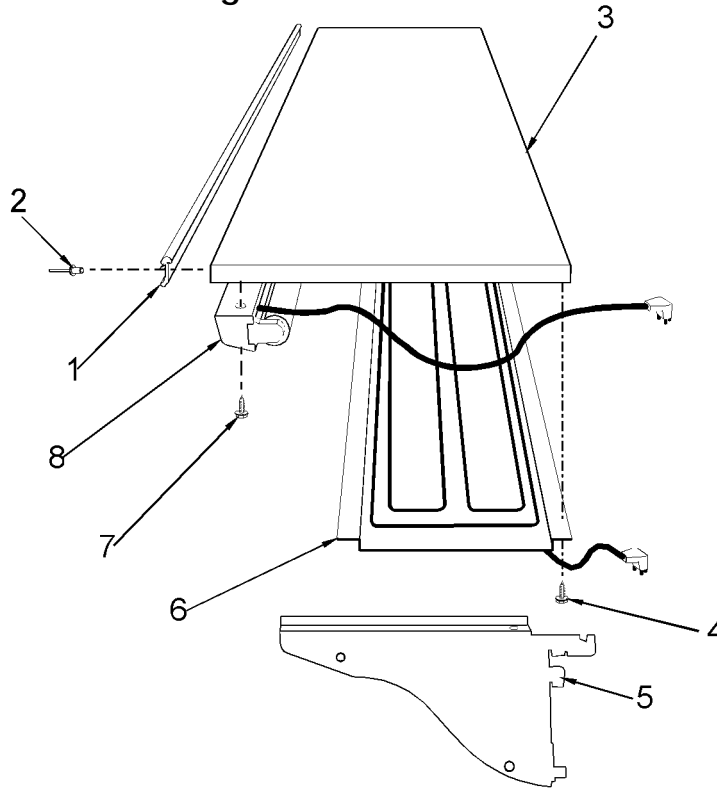


8' and 12' Merchandiser

Item	Part No.	Quantity		Description	Item	Part No.	Quantity		Description
		8'	12'				8'	12'	
*	5230457	1	-	Kit, Heated 9" Shelf w/o Light	*	5220691	4	6	15" Non-Htd Shelf Assy w/ Light
*	5230458	-	1	Kit, Heated 9" Shelf w/o Light					
*	5230459	1	-	Kit, Heated 12" Shelf w/o Light	*	5220716	4	6	15" Htd Shelf Assy w/o Light
*	5230460	-	1	Kit, Heated 12" Shelf w/o Light	*	5220720	4	6	15" Htd Shelf Assy w/ Light
*	5230465	1	-	Kit, Heated 12" Shelf w/ Light	1	5236879	1	1	Card Molding (per shelf assy)
*	5230466	-	1	Kit, Heated 12" Shelf w/ Light	2	5220611	1	1	Shelf Panel (per shelf assy)
*	5230461	1	-	Kit, Heated 15" Shelf w/o Light	3	5183536	8	8	Screw (per shelf assy)
*	5230462	-	1	Kit, Heated 15" Shelf w/o Light		5218751	1	1	Cord Clip (per lighted shelf)
*	5230467	1	-	Kit, Heated 15" Shelf w/ Light	4	5088406	1	1	RH Shelf Bracket (per all 9" shelves & 12" lighted shelf)
*	5230468	-	1	Kit, Heated 15" Shelf w/ Light		5088408	1	1	(per 12" non-lighted shelf)
*	5230445	1	-	Kit, Non-Heated 12" Shelf w/o Light		5185810	1	1	(per all 15" shelves)
*	5230446	-	1	Kit, Non-Heated 12" Shelf w/o Light		5088407	1	1	LH Shelf Bracket (per all 9" shelves & 12" lighted shelf)
*	5230451	1	-	Kit, Non-Heated 12" Shelf w/ Light		5088409	1	1	(per 12" non-lighted shelf)
*	5230452	-	1	Kit, Non-Heated 12" Shelf w/ Light		5185811	1	1	(per 15" shelf)
*	5230447	1	-	Kit, Non-Heated 15" Shelf w/o Light	5	5196320	1	1	Frost Panel & Htr Assy (9" shelf)
*	5230448	-	1	Kit, Non-Heated 15" Shelf w/o Light		5221659	1	1	(12" shelf)
*	5230453	1	-	Kit, Non-Heated 15" Shelf w/ Light		5220660	1	1	(15" shelf)
*	5230454	-	1	Kit, Non-Heated 15" Shelf w/ Light		5196308	1	1	Heater Wire, 115V (9/12" shelf)
*	5196288	4	6	9" Htd Shelf Assy w/o Light		5196535	1	1	(15" shelf)
*	5220686	4	6	12" Non-Htd Shelf Assy w/o Light		5940798	1	1	Htr Wire, 220V 50Hz (9/12" shlf)
*	5220690	4	6	12" Non-Htd Shelf Assy w/ Light		5940799	1	1	(15" shelf)
*	5220715	4	6	12" Htd Shelf Assy w/o Light		5108656	A/R	A/R	Tape
*	5220719	4	6	12" Htd Shelf Assy w/ Light		5196328	1	1	Frost Panel (9" shelf)
*	5220687	4	6	15" Non-Htd Shelf Assy w/o Light		5220663	1	1	(12" shelf)
						5220664	1	1	(15" shelf)
						5123249	1	1	Strain Relief
					6	5183536	2	2	Screw
					7	(See Page E9)			Light Channel Assembly
					8	5104702	A/R	A/R	Rivet
						5230439	2	2	RH & LH End Close-off
						5230440	-	1	Center Close-off



ELECTRICAL SYSTEM COMPONENTS - (CONT'D)
OPTIONAL SUPERSTRUCTURE COMPONENTS - NFJGE/NCJGE
Superstructure Shelving - 12"/15"



End Merchandiser

Item	Part No.	Qty.	Description	Item	Part No.	Qty.	Description
*	5230463	1	Kit, Heated 12" Shelf w/o Light	*	5220693	1	15" Non-Heated Shelf Assy w/ Light
*	5230469	1	Kit, Heated 12" Shelf w/ Light				
*	5230464	1	Kit, Heated 15" Shelf w/o Light	1	5236939	1	Front Card Molding (12" shelf
*	5230470	1	Kit, Heated 15" Shelf w/ Light		5236940	1	(15" shelf)
*	5230449	1	Kit, Non-Heated 12" Shelf w/o Light		5236941	1	RH Side Card Molding
*	5230455	1	Kit, Non-Heated 12" Shelf w/ Light		5236942	1	LH Side Card Molding
*	5230450	1	Kit, Non-Heated 15" Shelf w/o Light	2	5104702	A/R	Rivet
*	5230456	1	Kit, Non-Heated 15" Shelf w/ Light	3	5196324	1	Shelf Panel (12" shelf)
*	5220717	1	12" Heated Shelf Assy w/o Light		5196325	1	(15" shelf)
*	5220721	1	12" Heated Shelf Assy w/ Light	4	5183536	18	Screw
*	5220718	1	15" Heated Shelf Assy w/o Light		5218751	1	Cord Clip (lighted shelf only)
*	5220722	1	15" Heated Shelf Assy w/ Light		5619204	1	Screw
*	5220688	1	12" Non-Heated Shelf Assy w/o Light	5	5088408	1	RH Shelf Bracket (12" shelf)
*	5220692	1	12" Non-Heated Shelf Assy w/ Light		5088412	1	(15" shelf)
*	5220689	1	15" Non-Heated Shelf Assy w/o Light		5088409	1	LH Shelf Bracket (12" shelf)
					5088413	1	(15" shelf)
				6	5220665	1	Frost Panel & Htr Assy (12" shelf)
					5220666	1	(15" shelf)
					5196308	1	Heater Wire (12" shelf)
					5216869	1	(15" shelf)
					5108656	A/R	Aluminum Tape
					5220671	1	Frost Panel (12" shelf)
					5220672	1	(15" shelf)
					5123249	1	Strain Relief
				7	5120943	2	Screw
				8	(See Page E9)		Light Channel Assembly



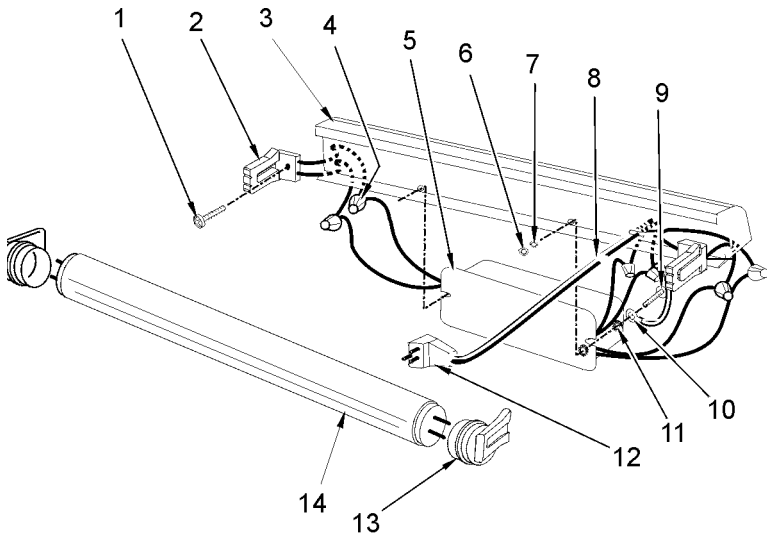
ELECTRICAL SYSTEM COMPONENTS - (CONT'D)

OPTIONAL SUPERSTRUCTURE COMPONENTS -

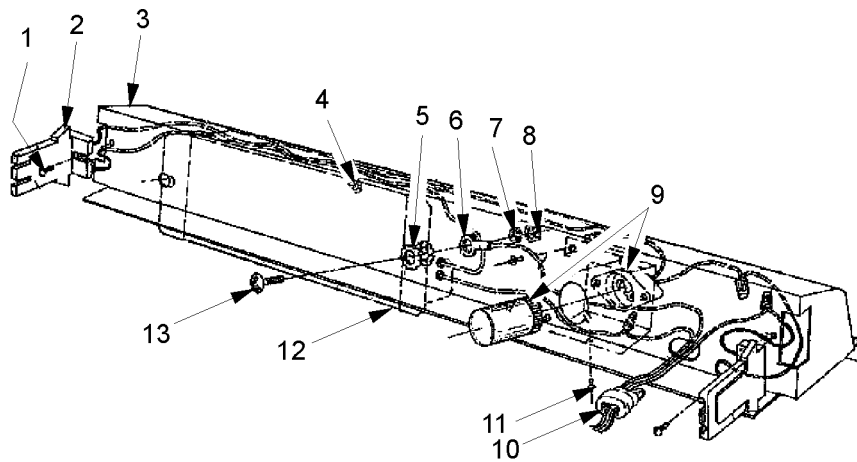
NFJG/NCJG/NTJG/LFJGE/LCJGE

Shelf Light Assemblies

Shelf Light Assembly



Item	Part No.	Qty.	Description
1	5214107	2	Screw
2	5217544	2	Lampholder
3	5220533	1	Shelf Light Channel
4	5145679	6	Wire Nuts
5	5627909	1	40W Ballast - 115V, 60 Hz
	5627910	1	40W Ballast - 220V, 50 Hz
6	5100661	2	Nut
7	5100387	2	Lockwasher
8	5123674	1	Strain Relief
9	5100379	2	Bolt
10	5129874	1	Wire Terminal Ground
11	5103997	2	Lockwasher
12	5220488	1	Light Channel Harness
13	5217579	2	Lampholder Cap
14	5102064	1	40W Lamp (meat & deli)
	5102065	1	40W Lamp (frozen food, dairy & produce)

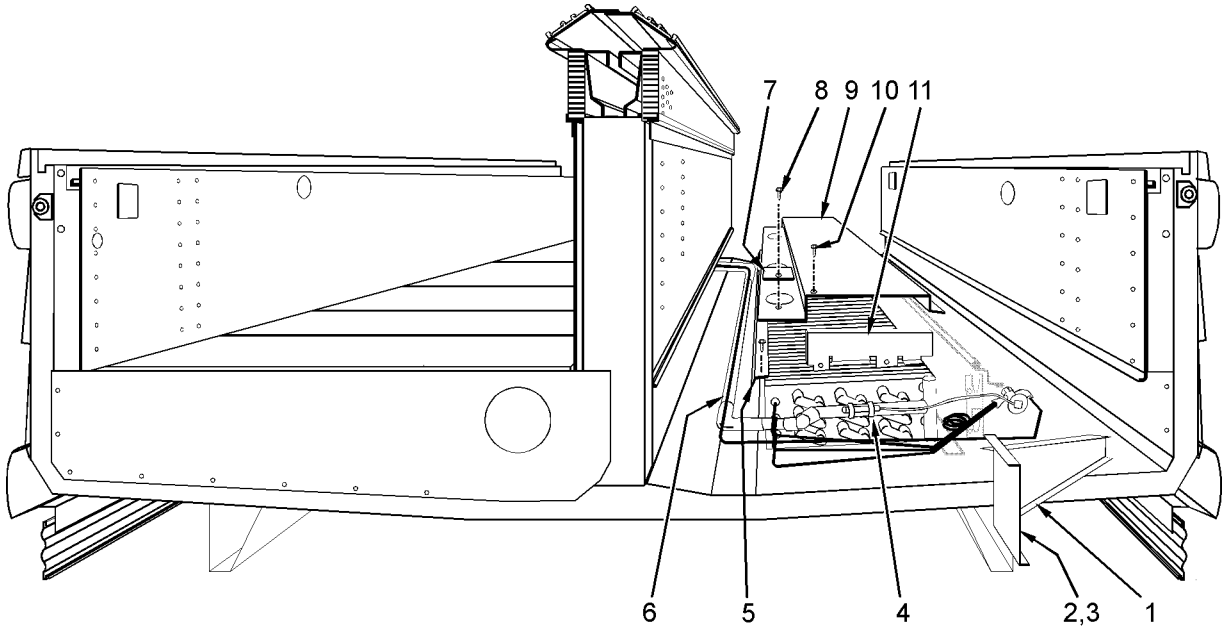


End Shelf Light Assembly

Item	Part No.	Qty.	Description
1	5214107	2	Screw
2	5217544	2	Lampholder
3	5220532	1	Shelf Light Channel, 24"
4	5145679	5	Wire Nuts
5	5103997	2	SHKPRF Lock Washer
6	5129874	1	Wire Terminal - GRND
7	5100387	2	Lockwasher
8	5100661	2	Nut
9	5220535	1	Starter & Socket Assy.
	5102018	1	Starter with Sleeve
	5107584	1	Starter Socket
	5220525	1	Starter Socket Support
	5145679	2	Pl;astic Connector
10	5123674	1	Strain Relief
	5220488	1	Light Channel Harness
11	5104702	3	Rivet
12	5102019	1	Ballast 14 & 20W
13	5100379	2	Bolt



REFRIGERATION SYSTEM COMPONENTS
COIL ASSEMBLIES - NFJG/NCJG/NTJG/NFMJG

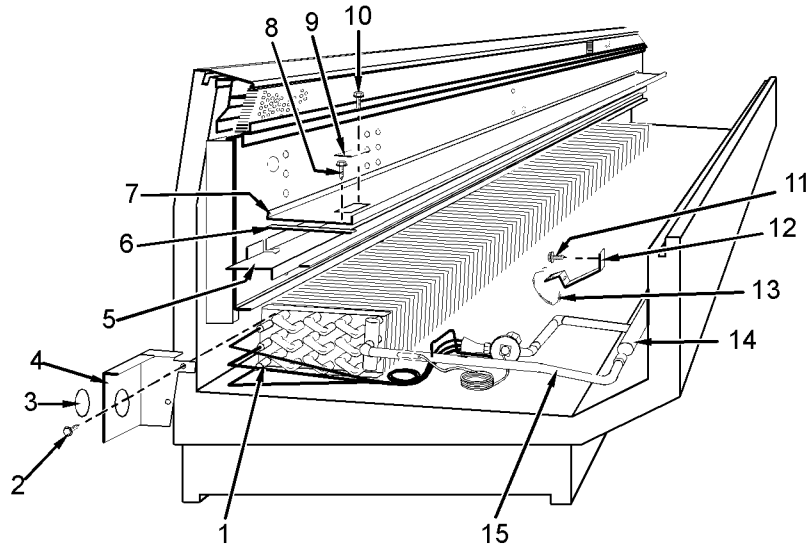


8' and 12' Merchandiser

Item	Part No.	Quantity		Description	Item	Part No.	Quantity		Description
		8'	12'				8'	12'	
1	5233395	1	1	RH Front Coil & Fan Panel Close-off	5	5228252	2	2	Liquid Line Assy
	5228192	1	1	LH Front Coil & Fan Panel Close-off		5231835	2	-	Air Deflector
2	5233396	1	1	RH Rear Coil & Fan Panel Close-off		5231836	-	2	Air Deflector
	5228193	1	1	LH Rear Coil & Fan Panel Close-off	6	5183536	6	8	Screw
3	5233330	2	2	LH/RH Front Coil & Fan Panel Close-off	6	5228237	1	-	Front Heat Exchanger Assy
4	5228245	1	-	Front Coil/Fitting Assy		5228238	-	1	Front Heat Exchanger Assy
	5228246	-	1	Front Coil/Fitting Assy	6	5228239	1	-	Rear Heat Exchanger Assy
	5228247	1	-	Rear Coil/Fitting Assy		5228240	-	1	Rear Heat Exchanger Assy
	5228248	-	1	Rear Coil/Fitting Assy	7	5228183	6	8	Inspection Cover
	5228249	1	1	Front Suction Line Assy	8	5183536	12	16	Screw
	5228250	1	1	Rear Suction Line Assy	9	5639516	2	-	Top Coil Cover
						5639522	-	2	Top Coil Cover
						5107190	A/R	A/R	Ethofoam Gasket
					10	5183536	8	8	Screw
					11	5639526	2	2	RH Coil Close-off
						5639527	2	2	LH Coil Close-off



REFRIGERATION SYSTEM COMPONENTS - (CONT'D)
 COIL ASSEMBLIES - NFJGE/NCJGE

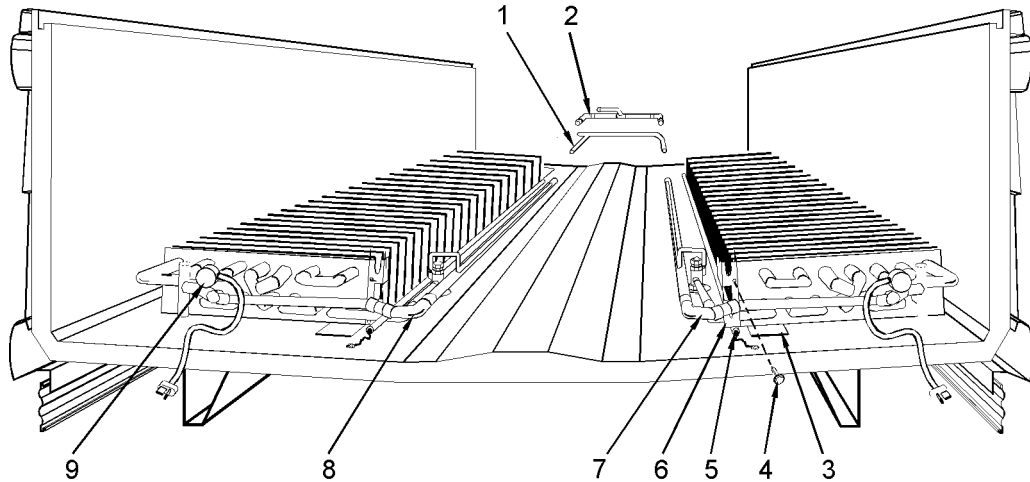


End Merchandiser

Item	Part No.	Qty.	Description	Item	Part No.	Qty.	Description
1	5963516	1	Coil & Fittings Assy	8	5120943	4	Screw
2	5120943	4	Screw	9	5228183	2	Inspection Cover
3	5057656	1	3" Plug Button	10	5120943	4	Screw
4	5963489	1	LH Coil Close-off	11	5183536	1	Screw
	5963488	1	RH Coil Close-off	12	5224014	1	Heat Exchanger Support
5	5963573	1	Air Restrictor	13	5180826	1	Ty-Rap
6	5107190	160"	Ethofoam Gasket	14	5607405	1	Heat Exchanger
7	5963574	1	Top Coil Cover	15	5963514	1	Tubing Assy (includes heat exchanger)

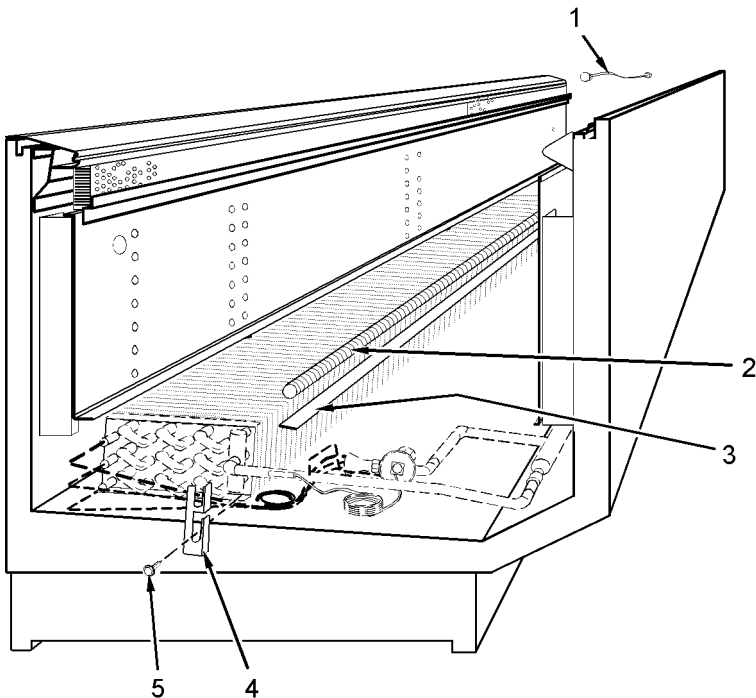


REFRIGERATION SYSTEM COMPONENTS - (CONT'D)
ELECTRIC DEFROST & TUBING - NFJG/NCJG/NTJG/NFMJG/NFJGE/NCJGE



8' and 12' Merchandiser

Item	Part No.	Quantity		Description	Item	Part No.	Quantity		Description
		8'	12'				8'	12'	
1	5228269	1	1	Liquid Line Crossover Assy (NFJG/NCJG only)	5960935	-	2	Defrost Heater NFJG/NFMJG)	
2	5228230	1	1	Suction Line Crossover Assy (NFJG/NCJG only)	-	-	4	(LCJG/LTJG)	
3	5214667	2	-	Heat Shield	6	5193739	6	Defrost Heater Support	
	5214668	-	2	Heat Shield	7	5228239	1	Rr Heat Exchanger Assy	
	5214669	A/R	A/R	Sliaprene Adhesive	8	5228240	-	1	Rr Heat Exchanger Assy
4	5183536	12	16	Screw	8	5228237	1	Frt Heat Exchanger Assy	
5	5960934	2	-	Defrost Heater (NFJG/NFMJG)	9	5228238	-	1	Frt Heat Exchanger Assy
		4	-	(NCJG/NTJG)	9	5215211	2	2	Klixon Thermostat, 50/30
					Options				
					-	5191445	1	1	Opt Solenoid Valve
					-	5191446	1	1	Opt Solenoid Valve
					-	5200225	1	1	Opt Solenoid Valve
					-	5227271	1	1	RH Hand Valve
					-	5227272	1	1	LH Hand Valve



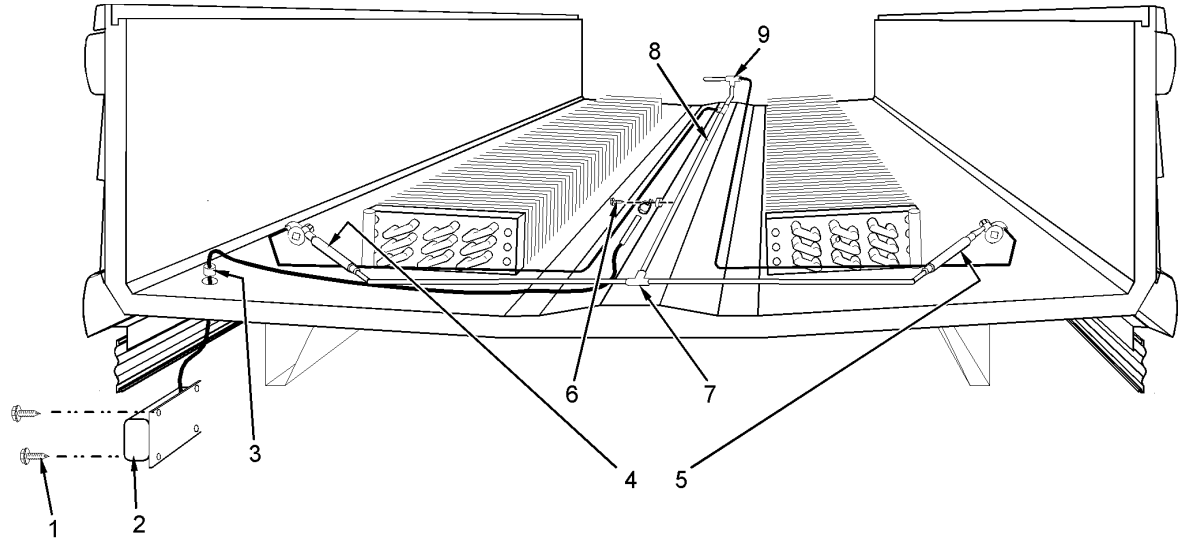
End Merchandiser

Item	Part No.	Qty.	Description
1	5125211	1	Klixon Thermostat, 50/30
	5145098	1	Thermostat Clip
2	5195710	1	Defrost Heater
3	5963507	1	Heat Shield
	5214669	A/R	Sliaprene Adhesive
4	5193739	2	Defrost Heater Support
5	5120943	4	Screw

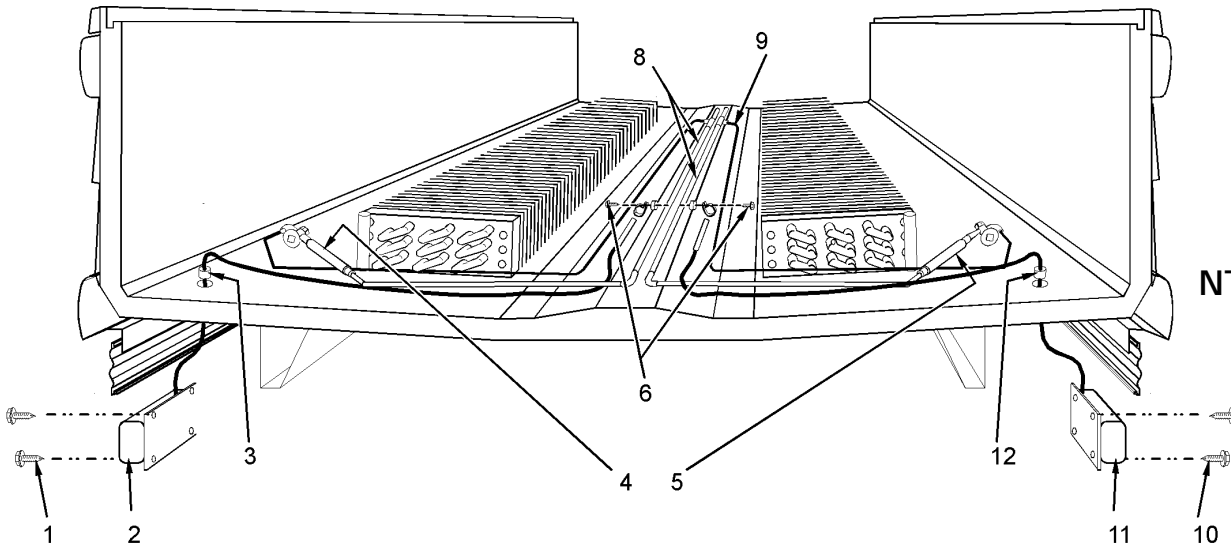


REFRIGERATION SYSTEM COMPONENTS - (CONT'D)
 OPTIONAL HOT GAS DEFROST - NFJG/NCJG/NTJG/NFMJG

NFJG/NCJG



NTJG/NFMJG

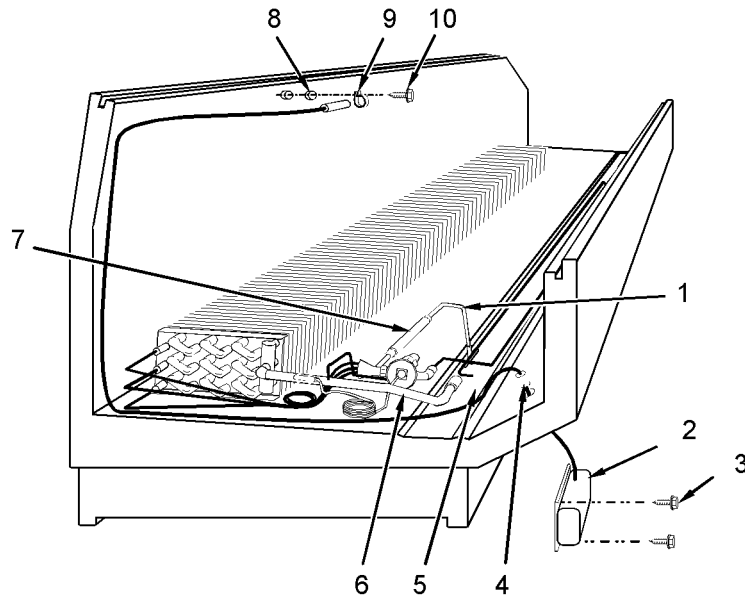


8' and 12' Merchandiser

Item	Part No.	Quantity		Description	Item	Part No.	Quantity		Description
		8'	12'				8'	12'	
1	5183536	2	2	Screw	8	5228379	1	--	Liquid Line (NFJ/NCJ)
2	5237789	1	1	Thermostat		5228381	2	-	(NTJG/NFMJG)
3	5198495	1	1	Plastic Pipe		5228380	--	1-	Liquid Line (LFJ/LCJ)
	5149724	A/R	A/R	Silastic Sealer		5228382	-	2	(NTJG/NFMJG)
4	5228386	1	1	Front Check Valve Assy (NFJG/NCJG)	9	5228371	1	1	Liquid Line Assy (LFJ/LCJ)
	5228387	1	1	(NTJG/NFMJG)		5228372	2	2	(NTJG/NFMJG)
5	5228375	1	1	Rear Check Valve Assy (NFJG/NCJG)	10	5183536	2	2	Screw
	5228377	1	1	(NTJG/NFMJG)	11	5237789	1	1	Thermostat
6	5200228	2	2	Check Valve	12	5198495	1	1	Plastic Pipe
	5053985	1	1	Screw	Options				
	5618785	1	1	Clamp (NFJG/NCJG)	-	5191445	1	1	Opt Solenoid Valve
		2	2	(NTJG/NFMJG)	-	5191446	1	1	Opt Solenoid Valve
	5127438	2	2	Nylon Spacer (NFJG/NCJG)	-	5200225	1	1	Opt Solenoid Valve
		4	4	(NTJG/NFMJG)	-	5227271	1	1	RH Hand Valve
7	5108970	1	1	Tee (NFJG/NCJG only)	-	5227272	1	1	LH Hand Valve



REFRIGERATION SYSTEM COMPONENTS - (CONT'D)
 OPTIONAL HOT GAS DEFROST - NFJGE/NCJGE

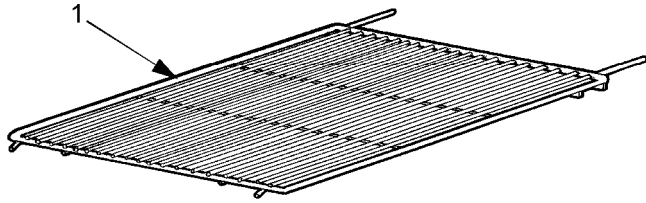


End Merchandiser

Item	Part No.	Qty.	Description	Item	Part No.	Qty.	Description
1	5228988	1	By-Pass Line	6	5228986	1	Suction Line Assy
2	5237789	1	Thermostat	7	5200228	1	Check Valve
3	5183536	4	Screw	8	5127438	2	Nylon Spacer
4	5198495	1	Plastic Pipe	9	5618785	1	Clamp
5	5149724	A/R	Silastic Sealer	10	5053985	1	Screw
5	5963524	1	Hot Gas Line Assy				

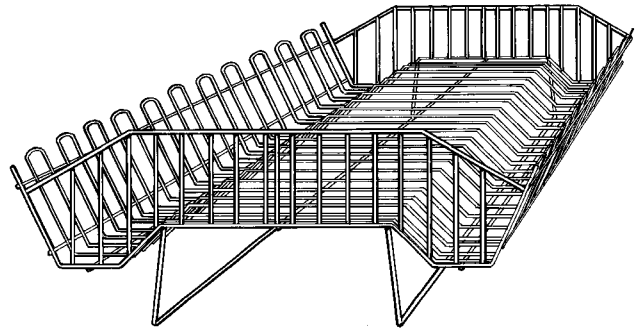


OPTIONAL CASE ACCESSORIES
SHELF SCREENS, SHELF BIN, BOTTOM BASKET, LOWER TRAYS
AND NITE COVER



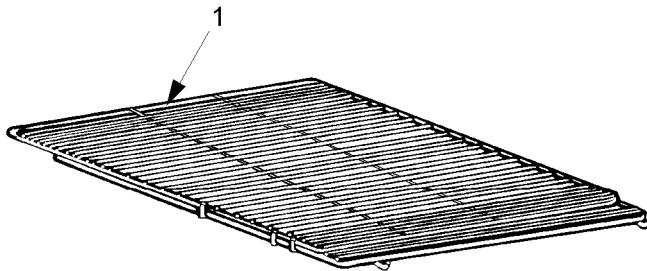
Standard Adjustable Screen

Item	Part No.	Quantity			Description
		8'	12'	End.	
*	5028128	2	-	-	Flat Adj Screen Set
*	5028129	-	2	-	Flat Adj Screen Set
*	5196026	-	-	1	Flat Adj Screen Set
1	5606170	4	6	-	Flat Adjustable Screen
1	5195897	-	-	3	Flat Adjustable Screen



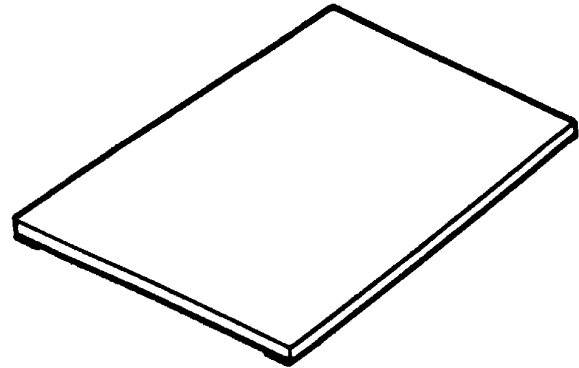
Optional Bottom Basket

Item	Part No.	Qty	Description
-	5645667	1	Bottom Basket



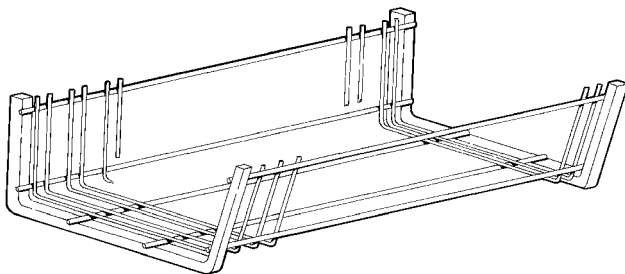
Optional Telescoping Screen

Item	Part No.	Quantity			Description
		8'	12'	End.	
*	5202929	2	-	-	Telescoping Screen Set
*	5202930	-	2	-	Telescoping Screen Set
1	5199443	4	6	-	Telescoping Screen



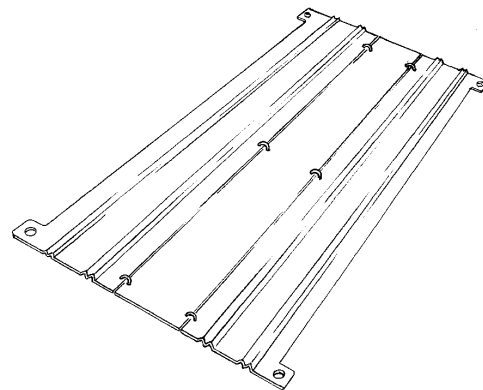
Optional Lower Tray

Item	Part No.	Quantity			Description
		8'	12'	End.	
-	5182031	8	12	-	Lower Insulated Tray 24" x 30 1/2"
-	5196022	-	-	3	Lower Insulated Tray 23 1/4" x 31 1/4"



Optional Wire Shelf Bin

Item	Part No.	Qty	Description
	5188198	1	Wire Shelf Bin

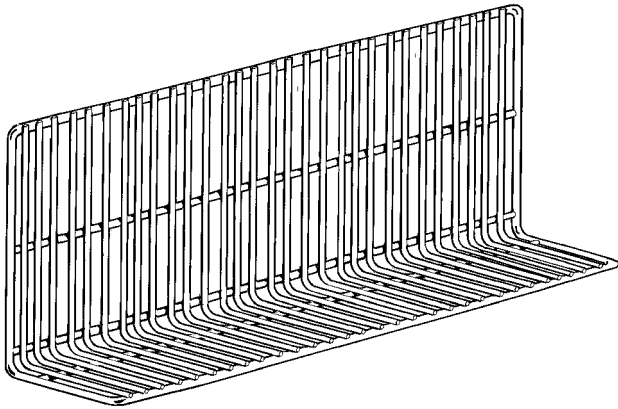


Optional Nite Cover

Item	Part No.	Quantity			Description
		8'	12'	End.	
-	5208185	2	3	-	Nite Cover

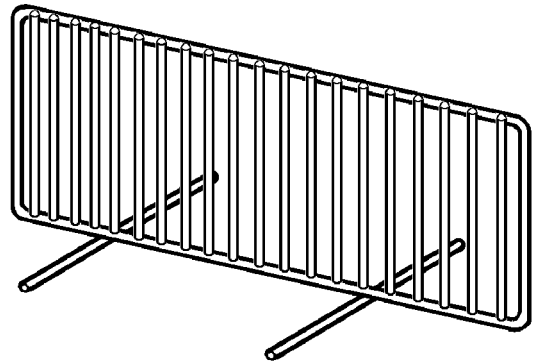


OPTIONAL CASE ACCESSORIES - (CONT'D)
SHELF AND BIN DIVIDERS



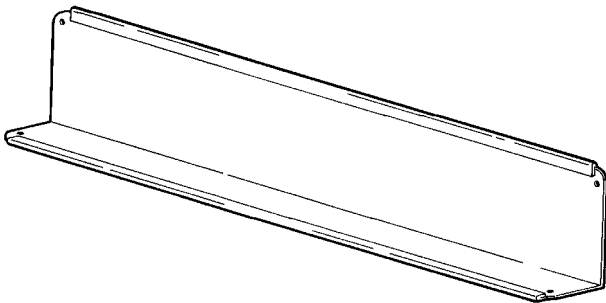
Optional "L" Wire Dividers

Item	Part No.	Quantity			Description
		8'	12'	End.	
*	5208304	1	-	-	"L" Wire Divider Set
*	5208305	-	1	-	"L" Wire Divider Set
*	5208303	-	-	1	"L" Wire Divider Set
-	5208276	4	6	3	"L" Wire Divider



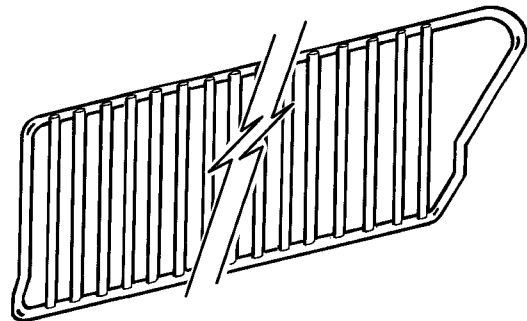
Optional "T" Wire Divider

Item	Part No.	Qty.	Description
-	5952101	1	"T" Wire Divider



Optional "L" Solid Divider

Item	Part No.	Qty.	Description
-	5638901	1	"L" Solid Divider

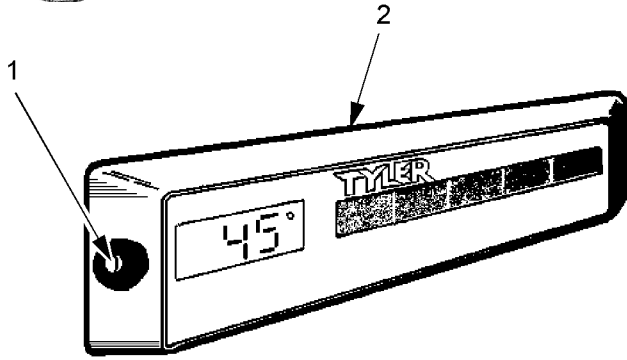


Optional Wire Shelf Bin Divider

Item	Part No.	Qty.	Description
-	5188224	1	Wire Shelf Bin Divider

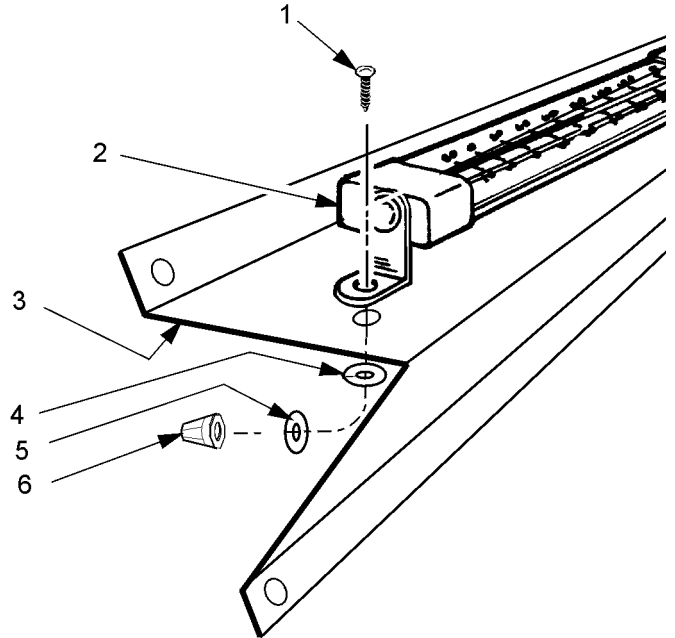


OPTIONAL CASE ACCESSORIES - (CONT'D) THERMOMETERS



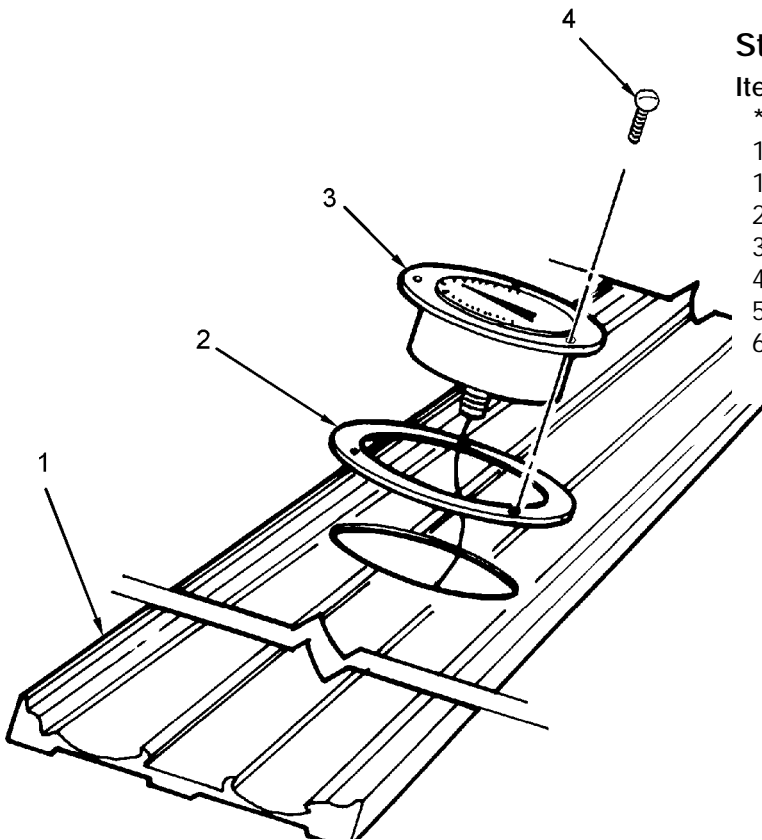
Digital Solar Thermometer

Item	Part No.	Qty.	Description
*	5980711	1	Thermometer Assembly
1	5185153	2	Screw
2	5239500	1	Digital Thermometer, F°
	5239501	1	Digital Thermometer, C°



Standard Case Thermometer

Item	Part No.	Qty.	Description
*	9311587	1	Thermometer Assembly
1	9311125	2	Screw
1	9311125	2	Screw
2	5967100	1	Thermometer
3	9311239	1	Bracket
4	5103997	2	Lock Washer
5	5243597	2	Flat Washer
6	5223244	2	Acorn Nut



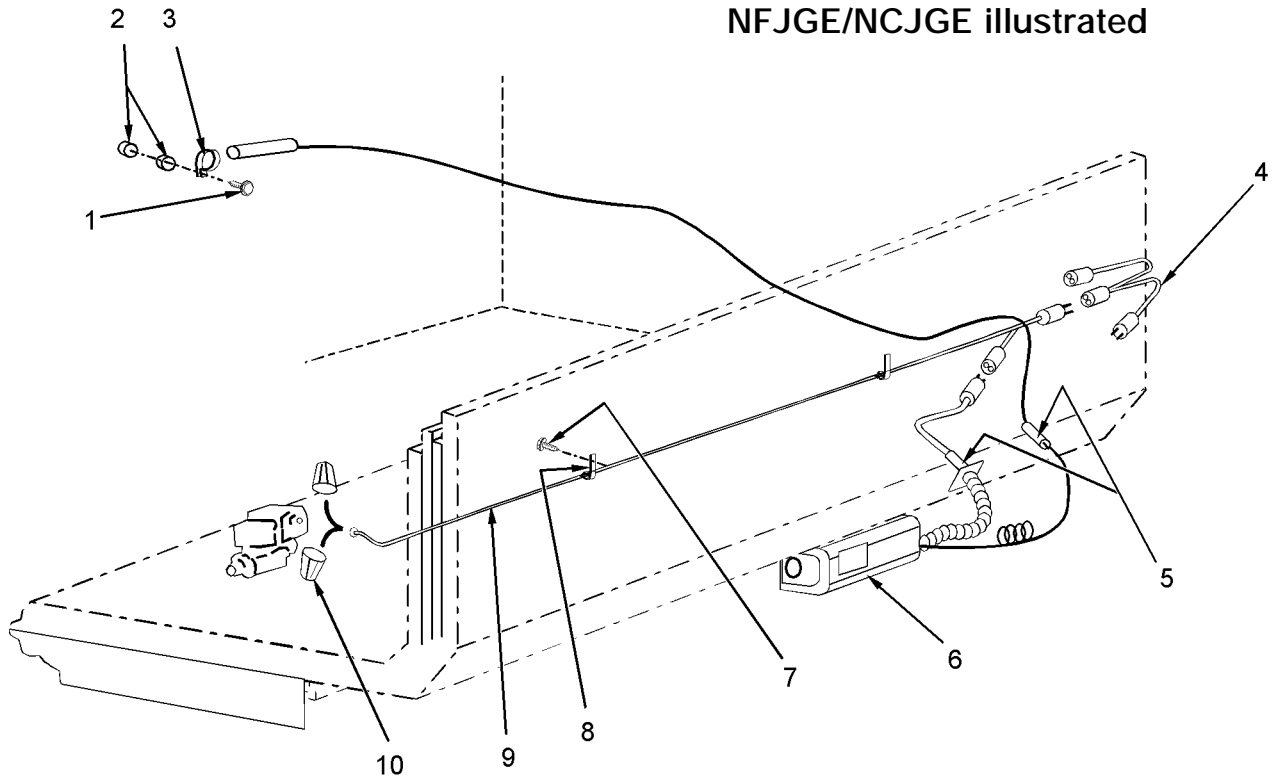
2" Dial Thermometer

Item	Part No.	Qty.	Description	Item	Part No.	Qty.	Description
*	5239864	1	Thermometer Assy (NFJG/NCJG/NTJG/NFMJG - 8')	1	5239865	1	Card Molding, 8' Case
*	5228477	1	(NFJG/NCJG/NTJG/NFMJG - 12')		5228480	1	Card Molding, 12' Case
*	5228475	1	(NFJGE/NCJGE)		5229555	1	Card Molding, End Case
				2	5203579	1	Thermo Collar
				3	5204006	1	2" Dial Thermometer
				4	5199134	3	Screw



OPTIONAL CASE ACCESSORIES - (CONT'D)
THERMOSTATS

NFJGE/NCJGE illustrated



Optional Thermostat (wired to solenoid valve)

Item	Part No.	Quantity	8/12'	End	Description	Item	Part No.	Quantity	8/12'	End	Description
*	5228644	1	-	-	Front T'stat Assy, Wired	6	5216235	2	-	-	Thermostat, Wired
*	5228645	1	-	-	Rear T'stat Assy, Wired		5219556	-	1	-	Thermostat, Wired
*	5228641	-	1	-	T'stat Assy, Wired	7	5120943	2	3	-	Screw
1	5053985	4	2	-	Screw	8	5206177	2	-	-	Fan Clip
2	5127438	4	2	-	Nylon Spacer		5106713	-	3	-	Tubing Clip
3	5222677	4	2	-	Tubing Clip	9	5210359	2	-	-	Solenoid Harness
4	5199447	2	1	-	"Y" Harness		5215136	-	1	-	Solenoid Harness
	5199436	1	-	-	Harness (not shown)	10	5145679	-	2	-	Wire Nut
5	5198495	4	2	-	Plastic Pipe	11	5199457	2	-	-	Harness (not shown)
	5149724	A/R	A/R	-	Silastic Sealer		2122007	2	-	-	Strain Relief (not shown)