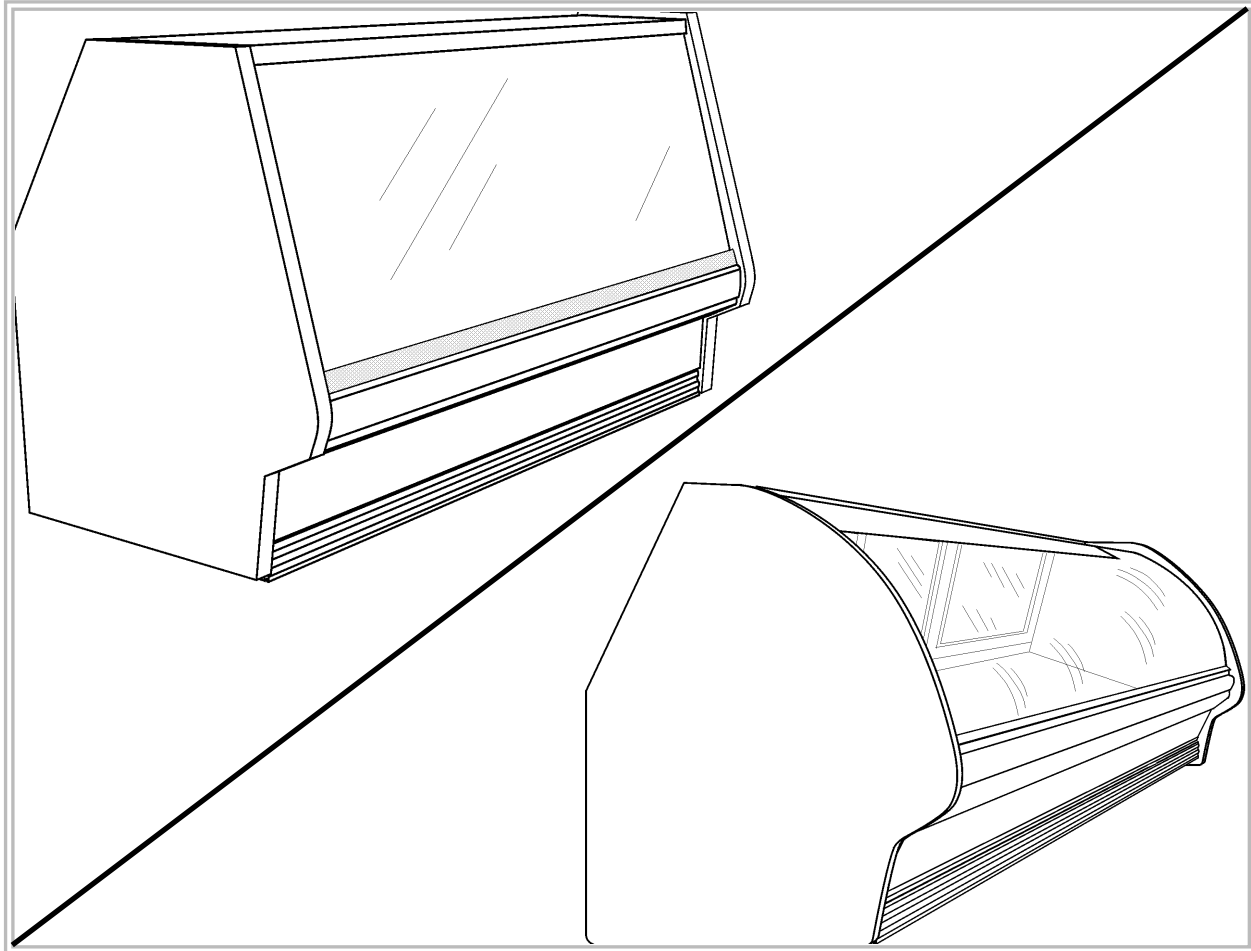


Replacement Parts ^{series} Advantage



Vertical Front Glass and Curved Lift Front Glass Service Hot Cases

Production began October 27, 2000

9000615	CDNVH4	Hot Food	4' Front Glass Service Hot Case
9000723	CDNLH4	Hot Food	4' Lift Front Glass Service Hot Case
9000719	CDNLH6	Hot Food	6' Lift Front Glass Service Hot Case
9000712	CDNLH8	Hot Food	8' Lift Front Glass Service Hot Case
9000724	CDNLH12	Hot Food	12' Lift Front Glass Service Hot Case

CDNVH • CDNLH



Issue date: FEBRUARY 2000

Replaces issue:

Part number: 9037192

Revision:

Tyler Refrigeration Corporation Niles, MI 49120
Parts information subject to change without notice
Printed in U.S.A.

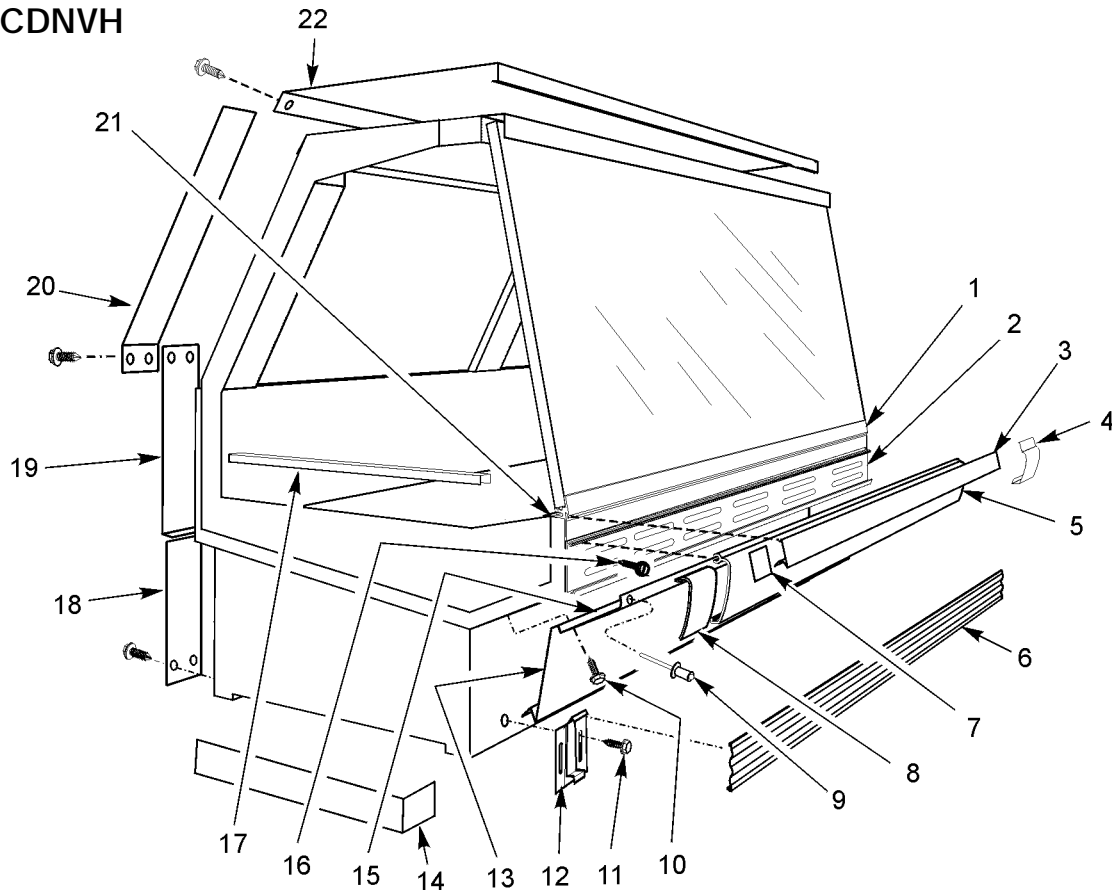


CONTENTS

	<u>Page</u>
Cladding, Covers and Trims - CDNVH	C1-C4
Cladding, Covers and Trims - CDNLH	C5-C9
 Structural Components	
Patch Ends, Partitions and Dividers	
Solid Patch Ends - CDNVH	S1
Solid Patch Ends - CDNLH	S2
Solid Patch Ends with Glass - CDNLH	S3
1" Solid Partitions - CDNLH	S4
 Optional Case Accessories	
Lower Front Nose Light Assembly - CDNLH	A1
Shelf Assemblies - CDNLH	A2



CLADDING, COVERS AND TRIMS CDNVH



4', 6' and 8' Service Hot Case

Item	Part No.	Quantity			Description	Item	Part No.	Quantity			Description
		4'	6'	8'				4'	6'	8'	
1	5244611	1	-	-	Front Glass Retainer						
	5240403	-	1	-	Front Glass Retainer						
	5240404	-	-	1	Front Glass Retainer						
2	9025045	1	-	-	Bumper Retainer						
	9025052	-	1	-	Bumper Retainer						
	9025058	-	-	1	Bumper Retainer						
3	9020989	1	-	-	Color Band, Ptd.						
	9025979	-	1	-	Color Band, Ptd.						
	9025980	-	-	1	Color Band, Ptd.						
4	+	1	1	1	Bumper End Trim						
5	+	1	1	1	Bumper						
6	+	1	1	1	Kickplate						
	9041790	1	1	1	Kickplate Backer						
7	9025654	1	1	1	Color Band Backer, Ptd.						
8	+	1	1	1	Bumper Backer						
9	5104702	4	4	4	Rivet						
10	9025833	6	6	6	Screw						
11	5183536	6	6	8	Screw						
12	9041329	3	3	4	Kickplate Support						
13	9044664	1	-	-	LWR FR Cladding, 52"						
		-	1	-	LWR FR Cladding, 52"						
		-	-	1	LWR FR Cladding, 52"						
	9037934	1	-	-	Opt. LWR FR Cladding, 48"						
						14	9027923	1	1	1	LH End Base Close-off
							9027924	1	1	1	RH End Base Close-off
							9030201	1	1	1	Opt. LH End Base Close-off
							9030199	1	1	1	Opt. RH End Base Close-off
						15	9044665	1	-	-	Upper Front Cladding
								-	1	-	Upper Front Cladding
								-	-	1	Upper Front Cladding
						16	9025833	10	10	24	Shoulder Screw
						17	5211585	1	1	1	Horizontal End Trim
						18	5233640	1	1	1	RR Base Joint Trim, MB/SS
							5619204	4	4	4	Screw
						19	5233637	1	1	1	RR LWR Joint Trim, MB/SS
						20	5992572	1	1	1	UPR RR Joint Trim, MB/SS
						21	5221356	1	-	-	Glass Support
							5221356	-	1	-	Glass Support
							5962072	-	-	1	Glass Support
							5962073	-	-	1	Glass Support
						22	9029363	1	-	-	Top Cladding Cover, MB/SS
							9027519	-	1	-	Top Cladding Cover, MB/SS
							9026513	-	-	1	Top Cladding Cover, MB/SS
							5199134	2	3	3	Screw

+ See pages C2 thru C4 for parts breakdown per color.



CLADDING, COVERS AND TRIMS - (CONT'D)

CDNVH - 4'

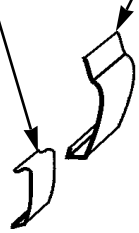
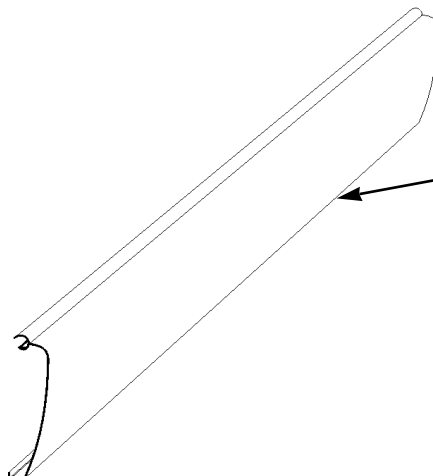
Bumper Backer [Item 8]

Part No.	Color
9025023	White
9025028	Bone White
9025035	Misty Gray
9025038	Pearl
9025041	Oatmeal
9025079	Pearly Gates
9025253	Soft Sand
9025258	Chromium
9025265	Cool Gray
9025268	Oyster
9025271	Black
9028883	Steel Gray
9031884	Chocolate
9031885	Mocha
9031886	Stone

Bumper End Trim [Item 4]

Part No.	Color
9027220	White
9027221	Bone White
9027222	Misty Gray
9027223	Pearl
9027224	Oatmeal
9027225	Soft Sand
9027226	Chromium
9027227	Cool Gray
9027228	Oyster
9027229	Black
9028882	Steel Gray
9029093	Pearly Gates
9034333	Chocolate
9034334	Mocha
9034335	Stone

9023195	RH Bmpr Pusher Brkt
9023195	LH Bmpr Pusher Brkt
5053985	Screw (2 per brkt)

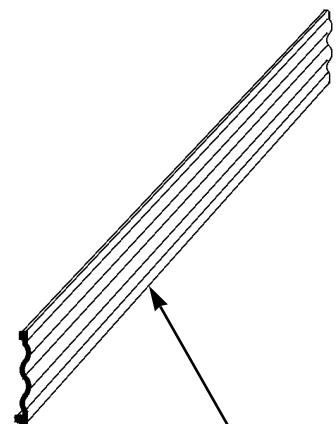


Bumper [Item 5] Without Partition (48.312"):

Part No.	Color
9025024	White
9025254	Bone White
9025275	Misty Gray
9025296	Pearl
9025317	Oatmeal
9025338	Soft Sand
9025359	Chromium
9025380	Cool Gray
9025401	Oyster
9025422	Black
9028889	Steel Gray
9029321	Pearly Gates
9031670	Chocolate
9031707	Mocha
9031744	Stone

With Partition (49.312"):

Part No.
9027129
9027130
9027131
9027132
9027133
9027134
9027135
9027136
9027137
9027138
9028891
9029323
9031672
9031709
9031746



Kickplate [Item 6] Without Partition (48.313")

Part No.	Color
9043744	Cool Gray
9043745	Black
9043746	Pearl
9043747	Steel Gray

With Partition (49.313")

Part No.
9043776
9043777
9043778
9043779



CLADDING, COVERS AND TRIMS - (CONT'D)
CDNVH - 6'

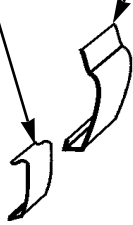
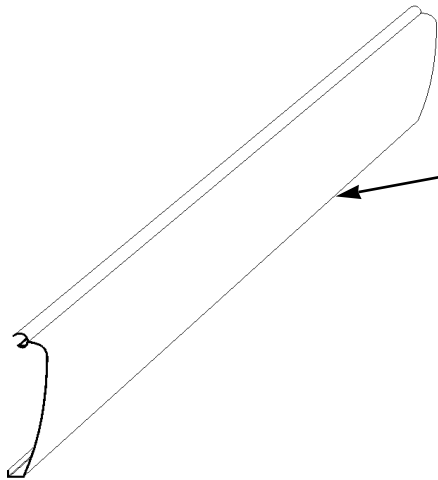
Bumper Backer [Item 8]

Part No.	Color
9025023	White
9025028	Bone White
9025035	Misty Gray
9025038	Pearl
9025041	Oatmeal
9025079	Pearly Gates
9025253	Soft Sand
9025258	Chromium
9025265	Cool Gray
9025268	Oyster
9025271	Black
9028883	Steel Gray
9031884	Chocolate
9031885	Mocha
9031886	Stone

Bumper End Trim [Item 4]

Part No.	Color
9027220	White
9027221	Bone White
9027222	Misty Gray
9027223	Pearl
9027224	Oatmeal
9027225	Soft Sand
9027226	Chromium
9027227	Cool Gray
9027228	Oyster
9027229	Black
9028882	Steel Gray
9029093	Pearly Gates
9034333	Chocolate
9034334	Mocha
9034335	Stone

9023195	RH Bmpr Pusher Brkt
9023195	LH Bmpr Pusher Brkt
5053985	Screw (2 per brkt)

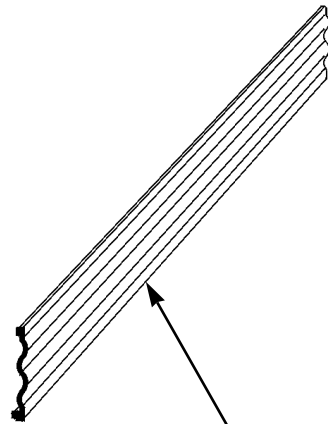


**Bumper [Item 5]
Without Partition
(72.312"):**

Part No.	Color
9025031	White
9025261	Bone White
9025282	Misty Gray
9025303	Pearl
9025324	Oatmeal
9025345	Soft Sand
9025366	Chromium
9025387	Cool Gray
9025408	Oyster
9025429	Black
9026501	Pearly Gates
9028899	Steel Gray
9031680	Chocolate
9031717	Mocha
9031754	Stone

**With Partition
(73.312"):**

Part No.
9027159
9027160
9027161
9027162
9027163
9027164
9027165
9027166
9027167
9027168
9029331
9028901
9031682
9031719
9031756



**Kickplate [Item 6]
Without Partition
(72.313")**

Part No.	Color
9043752	Cool Gray
9043753	Black
9043754	Pearl
9043755	Steel Gray

**With Partition
(73.313")**

Part No.
9043784
9043785
9043786
9043787



CLADDING, COVERS AND TRIMS - (CONT'D)
CDNVH - 8'

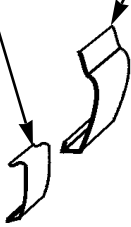
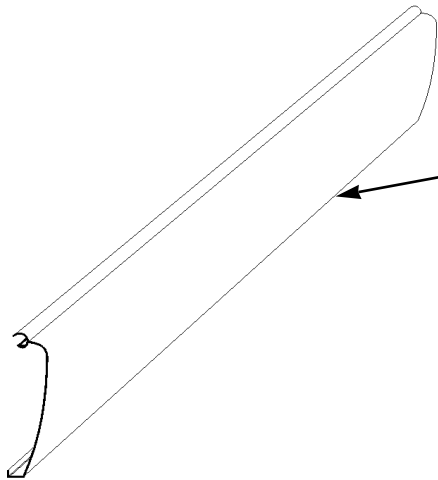
Bumper Backer [Item 8]

Part No.	Color
9025023	White
9025028	Bone White
9025035	Misty Gray
9025038	Pearl
9025041	Oatmeal
9025079	Pearly Gates
9025253	Soft Sand
9025258	Chromium
9025265	Cool Gray
9025268	Oyster
9025271	Black
9028883	Steel Gray
9031884	Chocolate
9031885	Mocha
9031886	Stone

Bumper End Trim [Item 4]

Part No.	Color
9027220	White
9027221	Bone White
9027222	Misty Gray
9027223	Pearl
9027224	Oatmeal
9027225	Soft Sand
9027226	Chromium
9027227	Cool Gray
9027228	Oyster
9027229	Black
9028882	Steel Gray
9029093	Pearly Gates
9034333	Chocolate
9034334	Mocha
9034335	Stone

9023195	RH Bmpr Pusher Brkt
9023195	LH Bmpr Pusher Brkt
5053985	Screw (2 per brkt)

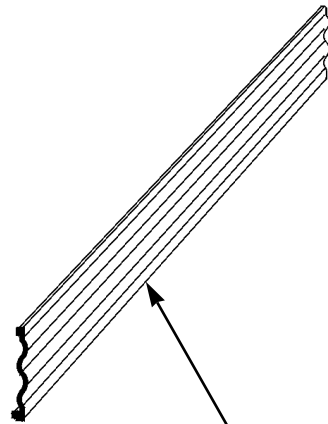


**Bumper [Item 5]
Without Partition
(96.437"):**

Part No.	Color
9025037	White
9025267	Bone White
9025388	Misty Gray
9025309	Pearl
9025330	Oatmeal
9025351	Soft Sand
9025372	Chromium
9025393	Cool Gray
9025414	Oyster
9025435	Black
9028906	Steel Gray
9029335	Pearly Gates
9031688	Chocolate
9031725	Mocha
9031762	Stone

**With Partition
(97.437"):**

Part No.
9027189
9027190
9027191
9027192
9027193
9027194
9027195
9027196
9027197
9027198
9028908
9029337
9031690
9031727
9031764



**Kickplate [Item 6]
Without Partition
(96.438")**

Part No.	Color
9043760	Cool Gray
9043761	Black
9043762	Pearl
9043763	Steel Gray

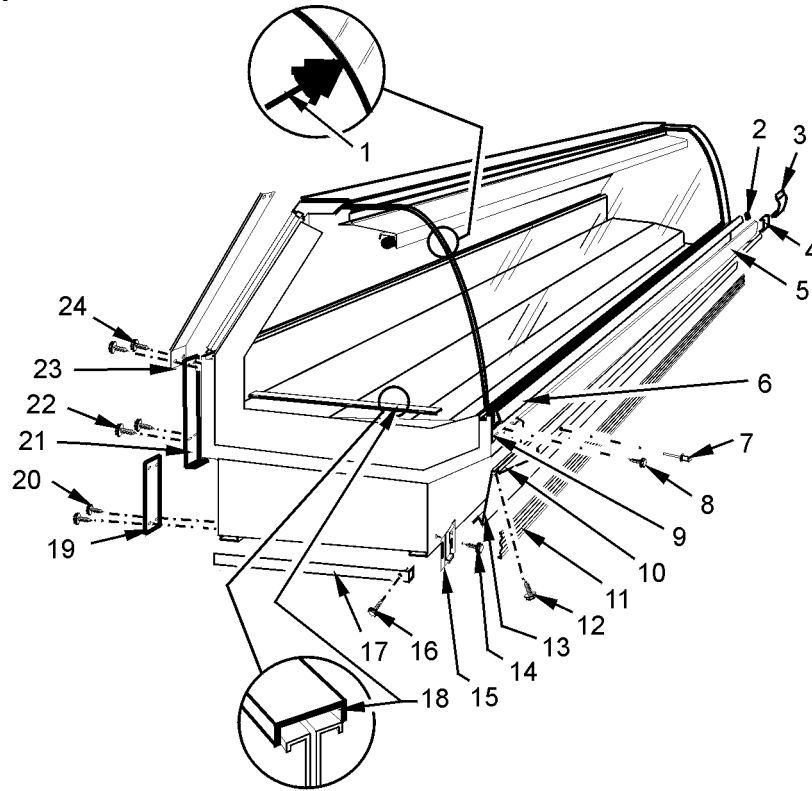
**With Partition
(97.438")**

Part No.
9043792
9043793
9043794
9043795



CLADDING, COVERS AND TRIMS - (CONT'D)

CDNLH



4', 6', 8' and 12' Service Hot Case

Item	Part No.	Quantity				Description	Item	Part No.	Quantity				Description
		4'	6'	8'	12'				4'	6'	8'	12'	
1	5246375	1	1	1	1	Glass Edge Seal	1	-	-	-	-	Opt. LWR FR Clad., 48"	
2	9025654	1	1	1	1	Color Band Backer			1	-	-	Opt. LWR FR Clad., 48"	
3	+	1	1	1	1	Bumper End Trim			-	-	1	Opt. LWR FR Clad., 48"	
4	+	1	1	1	1	Bumper Backer			-	-	-	Opt. LWR FR Clad., 48"	
5	+	1	1	1	1	Bumper	14	5183536	6	6	8	8	Screw
6	9025231	1	-	-	-	Color Band, Ptd.	15	9041329	3	3	4	4	Kickplate Support
	9025232	-	1	-	-	Color Band, Ptd.	16	5100217	3	3	3	3	Screw
	9025233	-	-	1	-	Color Band, Ptd.	17	9027923	1	1	1	1	LH End Base Close-off
	9025234	-	-	-	1	Color Band, Ptd.		9027924	1	1	1	1	RH End Base Close-off
7	5104702	4	4	4	4	Rivet		9030201	1	1	1	1	Opt. LH End Base Close-off
8	9025833	10	10	24	36	Shoulder Screw		9030199	1	1	1	1	Opt. RH End Base Close-off
9	9025045	1	-	-	-	Bumper Retainer							Opt. LH End Base Close-off
	9025052	-	1	-	-	Bumper Retainer							Opt. RH End Base Close-off
	9025058	-	-	1	-	Bumper Retainer	18	5211585	1	1	1	1	Horizontal End Trim
	9025061	-	-	-	1	Bumper Retainer	19	5233638	1	1	1	1	RR Base JT Trim, Ptd.
10	9025219	1	-	-	-	UPR FR Cladding, Ptd.		5233639	1	1	1	1	RR Base JT Trim, BRT/SS
	9024922	-	1	-	-	UPR FR Cladding, Ptd.		5233640	1	1	1	1	RR Base JT Trim, MB/SS
	9024923	-	-	1	-	UPR FR Cladding, Ptd.	20	5619204	4	4	4	4	Screw
	9024924	-	-	-	1	UPR FR Cladding, Ptd.	21	5233635	1	1	1	1	RR LWR JT Trim, Ptd.
11	+	1	1	1	1	Kickplate		5233636	1	1	1	1	RR LWR JT Trim, BRT/SS
	9041790	1	1	1	1	Kickplate Backer		5233637	1	1	1	1	RR LWR JT Trim, MB/SS
12	9025833	6	6	6	6	Screw	22	5199134	4	4	4	4	Screw
13	9037927	1	-	-	-	LWR FR Cladding, 52"	23	5992570	1	1	1	1	UPR RR JT Trim, Ptd.
	9037922	-	1	-	-	LWR FR Cladding, 52"		5992571	1	1	1	1	UPR RR JT Trim, BRT/SS
	9037923	-	-	1	-	LWR FR Cladding, 52"		5992572	1	1	1	1	UPR RR JT Trim, MB/SS
	9037924	-	-	-	1	LWR FR Cladding, 52"	24	5199134	4	4	4	4	Screw

+ See pages C6 thru C9 for parts breakdown per color.



CLADDING, COVERS AND TRIMS - (CONT'D)

CDNLH - 4'

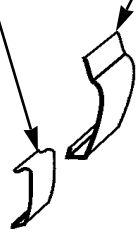
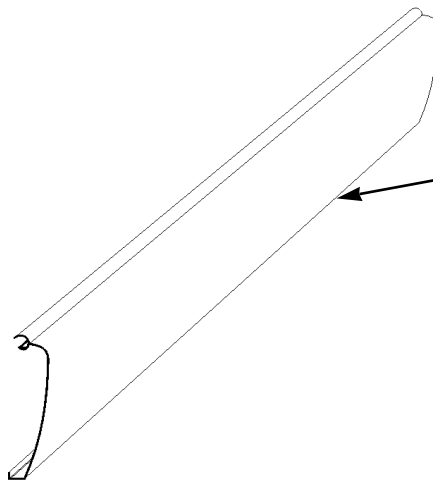
Bumper Backer [Item 4]

Part No.	Color
9025023	White
9025028	Bone White
9025035	Misty Gray
9025038	Pearl
9025041	Oatmeal
9025079	Pearly Gates
9025253	Soft Sand
9025258	Chromium
9025265	Cool Gray
9025268	Oyster
9025271	Black
9028883	Steel Gray
9031884	Chocolate
9031885	Mocha
9031886	Stone

Bumper End Trim [Item 3]

Part No.	Color
9027220	White
9027221	Bone White
9027222	Misty Gray
9027223	Pearl
9027224	Oatmeal
9027225	Soft Sand
9027226	Chromium
9027227	Cool Gray
9027228	Oyster
9027229	Black
9028882	Steel Gray
9029093	Pearly Gates
9034333	Chocolate
9034334	Mocha
9034335	Stone

9023195	RH Bmpr Pusher Brkt
9023195	LH Bmpr Pusher Brkt
5053985	Screw (2 per brkt)

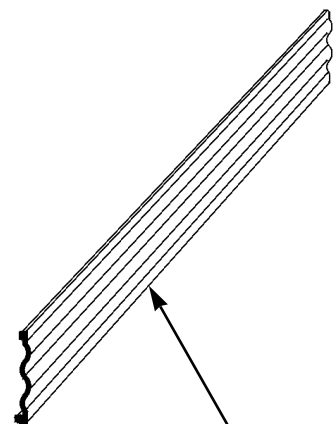


Bumper [Item 5] Without Partition (48.312"):

Part No.	Color
9025024	White
9025254	Bone White
9025275	Misty Gray
9025296	Pearl
9025317	Oatmeal
9025338	Soft Sand
9025359	Chromium
9025380	Cool Gray
9025401	Oyster
9025422	Black
9028889	Steel Gray
9029321	Pearly Gates
9031670	Chocolate
9031707	Mocha
9031744	Stone

With Partition (49.312"):

Part No.
9027129
9027130
9027131
9027132
9027133
9027134
9027135
9027136
9027137
9027138
9028891
9029323
9031672
9031709
9031746



Kickplate [Item 11]

Without Partition (48.313")

Part No.	Color
9043744	Cool Gray
9043745	Black
9043746	Pearl
9043747	Steel Gray

With Partition (49.313")

Part No.
9043776
9043777
9043778
9043779



CLADDING, COVERS AND TRIMS - (CONT'D)

CDNLH - 6'

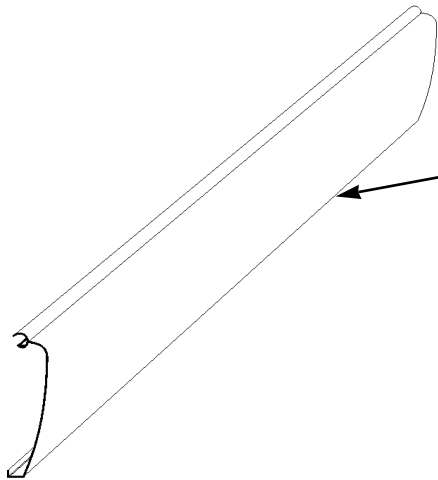
Bumper Backer [Item 4]

Part No.	Color
9025023	White
9025028	Bone White
9025035	Misty Gray
9025038	Pearl
9025041	Oatmeal
9025079	Pearly Gates
9025253	Soft Sand
9025258	Chromium
9025265	Cool Gray
9025268	Oyster
9025271	Black
9028883	Steel Gray
9031884	Chocolate
9031885	Mocha
9031886	Stone

Bumper End Trim [Item 3]

Part No.	Color
9027220	White
9027221	Bone White
9027222	Misty Gray
9027223	Pearl
9027224	Oatmeal
9027225	Soft Sand
9027226	Chromium
9027227	Cool Gray
9027228	Oyster
9027229	Black
9028882	Steel Gray
9029093	Pearly Gates
9034333	Chocolate
9034334	Mocha
9034335	Stone

9023195	RH Bmpr Pusher Brkt
9023195	LH Bmpr Pusher Brkt
5053985	Screw (2 per brkt)

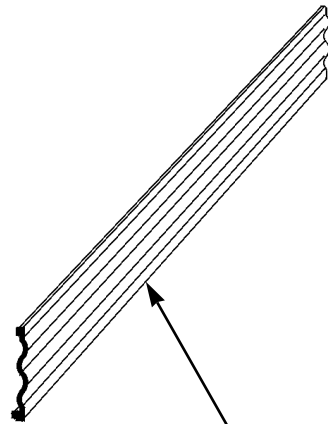


Bumper [Item 5] Without Partition (72.312"):

Part No.	Color
9025031	White
9025261	Bone White
9025282	Misty Gray
9025303	Pearl
9025324	Oatmeal
9025345	Soft Sand
9025366	Chromium
9025387	Cool Gray
9025408	Oyster
9025429	Black
9026501	Pearly Gates
9028899	Steel Gray
9031680	Chocolate
9031717	Mocha
9031754	Stone

With Partition (73.312"):

Part No.
9027159
9027160
9027161
9027162
9027163
9027164
9027165
9027166
9027167
9027168
9029331
9028901
9031682
9031719
9031756



Kickplate [Item 11] Without Partition (72.313")

Part No.	Color
9043752	Cool Gray
9043753	Black
9043754	Pearl
9043755	Steel Gray

With Partition (73.313")

Part No.
9043784
9043785
9043786
9043787



CLADDING, COVERS AND TRIMS - (CONT'D)

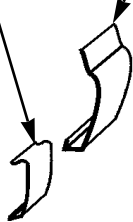
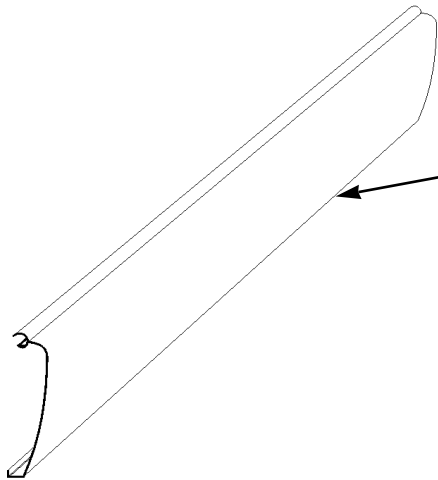
CDNLH - 8'

Bumper Backer [Item 4]

Part No.	Color
9025023	White
9025028	Bone White
9025035	Misty Gray
9025038	Pearl
9025041	Oatmeal
9025079	Pearly Gates
9025253	Soft Sand
9025258	Chromium
9025265	Cool Gray
9025268	Oyster
9025271	Black
9028883	Steel Gray
9031884	Chocolate
9031885	Mocha
9031886	Stone

Bumper End Trim [Item 3]

Part No.	Color
9027220	White
9027221	Bone White
9027222	Misty Gray
9027223	Pearl
9027224	Oatmeal
9027225	Soft Sand
9027226	Chromium
9027227	Cool Gray
9027228	Oyster
9027229	Black
9028882	Steel Gray
9029093	Pearly Gates
9034333	Chocolate
9034334	Mocha
9034335	Stone
9023195	RH Bmpr Pusher Brkt
9023195	LH Bmpr Pusher Brkt
5053985	Screw (2 per brkt)

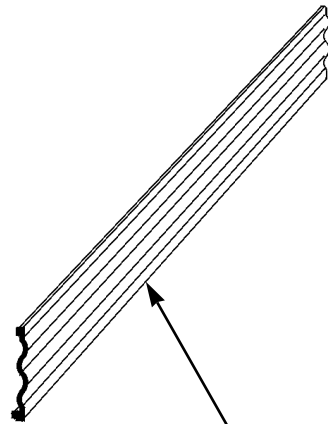


Bumper [Item 5] Without Partition (96.437"):

Part No.	Color
9025037	White
9025267	Bone White
9025388	Misty Gray
9025309	Pearl
9025330	Oatmeal
9025351	Soft Sand
9025372	Chromium
9025393	Cool Gray
9025414	Oyster
9025435	Black
9028906	Steel Gray
9029335	Pearly Gates
9031688	Chocolate
9031725	Mocha
9031762	Stone

With Partition (97.437"):

Part No.
9027189
9027190
9027191
9027192
9027193
9027194
9027195
9027196
9027197
9027198
9028908
9029337
9031690
9031727
9031764



Kickplate [Item 11] Without Partition (96.438")

Part No.	Color
9043760	Cool Gray
9043761	Black
9043762	Pearl
9043763	Steel Gray

With Partition (97.438")

Part No.
9043792
9043793
9043794
9043795



CLADDING, COVERS AND TRIMS - (CONT'D)

CDNLH - 12'

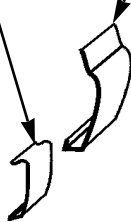
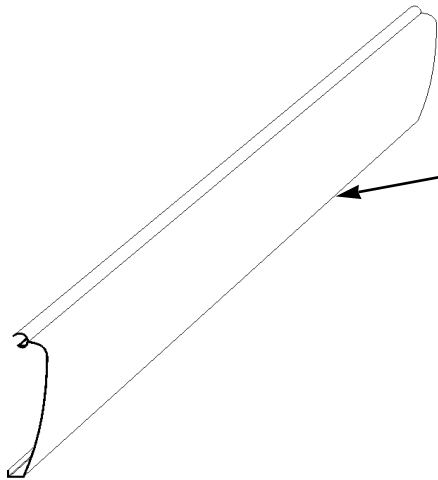
Bumper Backer [Item 4]

Part No.	Color
9025023	White
9025028	Bone White
9025035	Misty Gray
9025038	Pearl
9025041	Oatmeal
9025079	Pearly Gates
9025253	Soft Sand
9025258	Chromium
9025265	Cool Gray
9025268	Oyster
9025271	Black
9028883	Steel Gray
9031884	Chocolate
9031885	Mocha
9031886	Stone

Bumper End Trim [Item 3]

Part No.	Color
9027220	White
9027221	Bone White
9027222	Misty Gray
9027223	Pearl
9027224	Oatmeal
9027225	Soft Sand
9027226	Chromium
9027227	Cool Gray
9027228	Oyster
9027229	Black
9028882	Steel Gray
9029093	Pearly Gates
9034333	Chocolate
9034334	Mocha
9034335	Stone

9023195	RH Bmpr Pusher Brkt
9023195	LH Bmpr Pusher Brkt
5053985	Screw (2 per brkt)

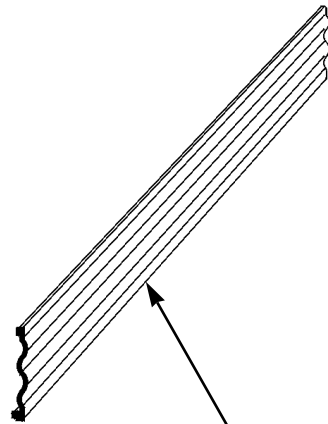


Bumper [Item 5] Without Partition (144.562"):

Part No.	Color
9025040	White
9025270	Bone White
9025291	Misty Gray
9025312	Pearl
9025333	Oatmeal
9025354	Soft Sand
9025375	Chromium
9025396	Cool Gray
9025417	Oyster
9025438	Black
9028913	Steel Gray
9025069	Pearly Gates
9031696	Chocolate
9031733	Mocha
9031770	Stone

With Partition (145.562"):

Part No.
9027209
9027210
9027211
9027212
9027213
9027214
9027215
9027216
9027217
9027218
9028915
9029341
9031698
9031735
9031772



Kickplate [Item 11]

Without Partition (144.563")

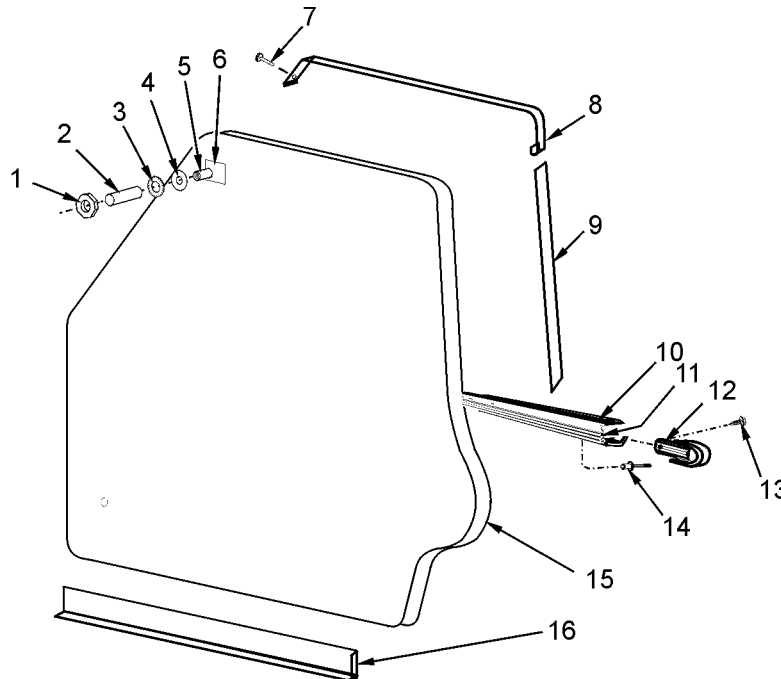
Part No.	Color
9043768	Cool Gray
9043769	Black
9043770	Pearl
9043771	Steel Gray

With Partition (145.563")

Part No.
9043800
9043801
9043802
9043803



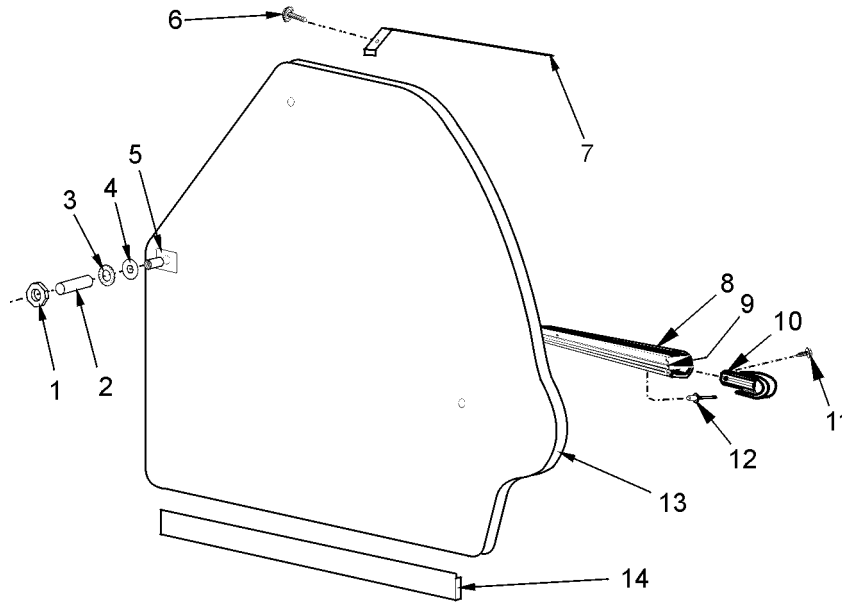
STRUCTURAL COMPONENTS
PATCH ENDS, PARTITIONS AND DIVIDERS
Solid Patch Ends - CDNVH



Item	Part No.	Qty.	Description	Item	Part No.	Qty.	Description
*	9022363	1	RH Solid End Assy.Ptd.		9023460	1	39" End Bumper, Cool Gray
			Pnl/BRT/SS Lnr - 52.875"		9023461	1	39" End Bumper, Black
*	9022364	1	LH Solid End Assy.Ptd.		9023462	1	39" End Bumper, Pearl
			Pnl/BRT/SS Lnr - 52.875"		9310876	1	39" End Bumper, Steel Gray
*	9022365	1	RH Solid End Assy.Ptd.	11	9027882	1	35" End Bumper Retainer
			Pnl/BRT/SS Lnr - 49.25"		9023453	1	41" End Bumper Retainer
*	9022366	1	LH Solid End Assy.Ptd.	12	9026528	4	End Bmpr. Cap, Pearly Gates
			Pnl/BRT/SS Lnr -49.25"		9027743	4	End Bmpr. Cap, Cool Gray
1	5100625	4	Nut, 5/16"-18		9027744	4	End Bmpr. Cap, Black
2	9022759	1	Stud, 5/16"-18 x 3"		9027742	4	End Bmpr. Cap, Pearl
	9030558	3	Stud, 5/16"-18 x 2"		9310881	4	End Bmpr. Cap, Steel Gray
3	5101003	4	Lockwasher	13	5183536	4	Screw
4	5100976	4	Washer	14	5104702	17	Rivet
5	9022756	4	Threaded Insert	15	9024695	1	RH Bench Assy.Ptd.
6	9022760	4	Tapping Plate				Pnl/BRT/SS Lnr - 52.875"
7	5205439	1	Screw		9024696	1	LH Bench Assy.Ptd.
8	9026512	1	Top End Trim, MB/SS				Pnl/BRT/SS Lnr - 52.875"
9	9028857	1	RH Front End Trim, BLK		9024697	1	RH Bench Assy.Ptd.
	9028858	1	LH Front End Trim, BLK				Pnl/BRT/SS Lnr - 49.25"
10	9027973	1	33" End Bumper, Cool Gray		9024698	1	LH Bench Assy.Ptd.
	9027974	1	33" End Bumper, Black				Pnl/BRT/SS Lnr - 49.25"
	9027975	1	33" End Bumper, Pearl	16	9022460	1	RH End Base Close-off, Ptd.
	9029311	1	33" End Bumper, Pearly Gates		9022467	1	LH End Base Close-off, Ptd.
	9040180	1	33" End Bumper, Steel Gray		1309067	3	Screw
	9023459	1	39" End Bumper, Pearly Gates				



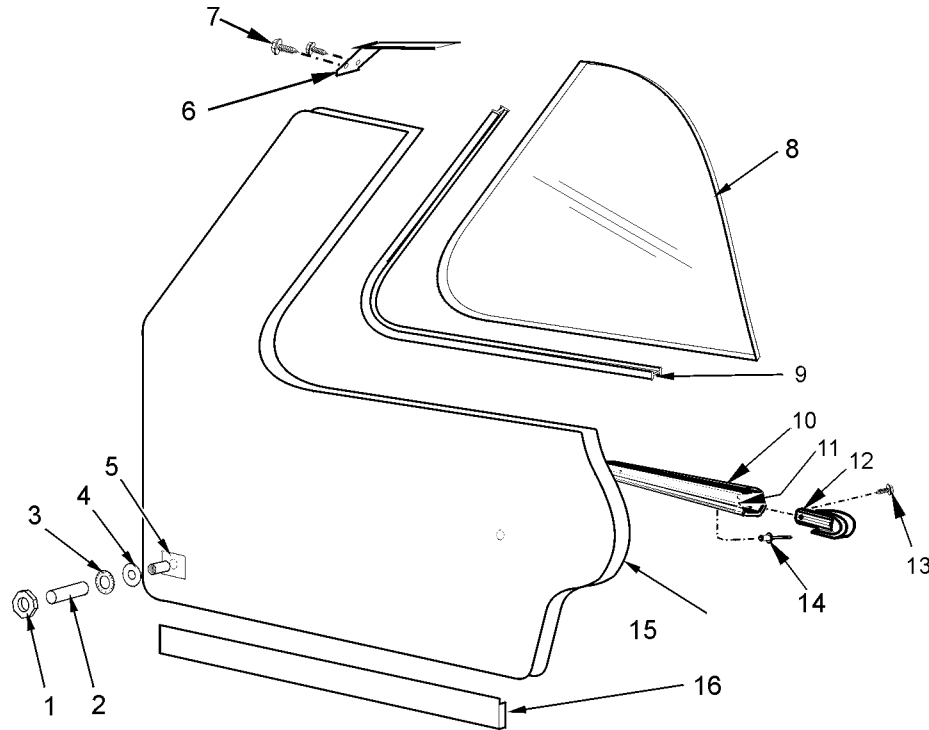
STRUCTURAL COMPONENTS - (CONT'D)
PATCH ENDS, PARTITIONS AND DIVIDERS
Solid Patch Ends - CDN LH



Item	Part No.	Qty.	Description	Item	Part No.	Qty.	Description
*	9022351	1	RH Solid End Assy. Ptd. Pnl BRT/SS Lnr - 51.75"	9	9027882	1	35" End Bumper Retainer
*	9022352	1	LH Solid End Assy. Ptd. Pnl BRT/SS Lnr - 51.75"		9023453	1	41" End Bumper Retainer
*	9022353	1	RH Solid End Assy. Ptd. Pnl BRT/SS Lnr - 48"	10	9026528	4	End Bmpr. Cap, Pearly Gates
*	9022354	1	LH Solid End Assy. Ptd. Pnl BRT/SS Lnr - 48"		9027743	4	End Bmpr. Cap, Cool Gray
*	9022355	1	RH Solid End Assy. Ptd. Pnl BRT/SS Lnr - 54.75"		9027744	4	End Bmpr. Cap, Black
*	9022356	1	LH Solid End Assy. Ptd. Pnl BRT/SS Lnr - 54.75"		9027742	4	End Bmpr. Cap, Pearl
	5100625	3	Nut, 5/16"-18		9310881	4	End Bmpr. Cap, Steel Gray
	9022759	3	Stud, 5/16"-18 x 3"	11	5183536	4	Screw
	5101003	3	Lockwasher	12	5104702	17	Rivet
	5100976	3	Washer	13	9024677	1	RH Bench Assy. Ptd. Pnl BRT/SS Lnr - 51.75"
	9022760	3	Tapping Plate		9024678	1	LH Bench Assy. Ptd. Pnl BRT/SS Lnr - 51.75"
	9022756	3	Threaded Insert		9024679	1	RH Bench Assy. Ptd. Pnl BRT/SS Lnr - 48"
	5048626	2	Screw		9024680	1	LH Bench Assy. Ptd. Pnl BRT/SS Lnr - 48"
	5234827	1	Top End Trim, BRT/SS		9024681	1	RH Bench Assy. Ptd. Pnl BRT/SS Lnr - 54.75"
	9027973	1	33" End Bumper, Cool Gray		9024682	1	LH Bench Assy. Ptd. Pnl BRT/SS Lnr - 54.75"
	9027974	1	33" End Bumper, Black	15	9027736	14'	Edge Trim, Cool Gray
	9027975	1	33" End Bumper, Pearl		9027735	14'	Edge Trim, Black
	9029311	1	33" End Bumper, Pearly Gates		9027737	14'	Edge Trim, Pearl Gray
	9040180	1	33" End Bumper, Steel Gray		9034932	14'	Edge Trim, Steel Gray
	9023459	1	39" End Bumper, Pearly Gates		9029362	14'	Edge Trim, Pearly Gates
	9023460	1	39" End Bumper, Cool Gray	16	9022460	1	RH End Base Close-off, Ptd.
	9023461	1	39" End Bumper, Black		9022467	1	LH End Base Close-off, Ptd.
	9023462	1	39" End Bumper, Pearl		1309067	3	Screw
	9310876	1	39" End Bumper, Steel Gray				



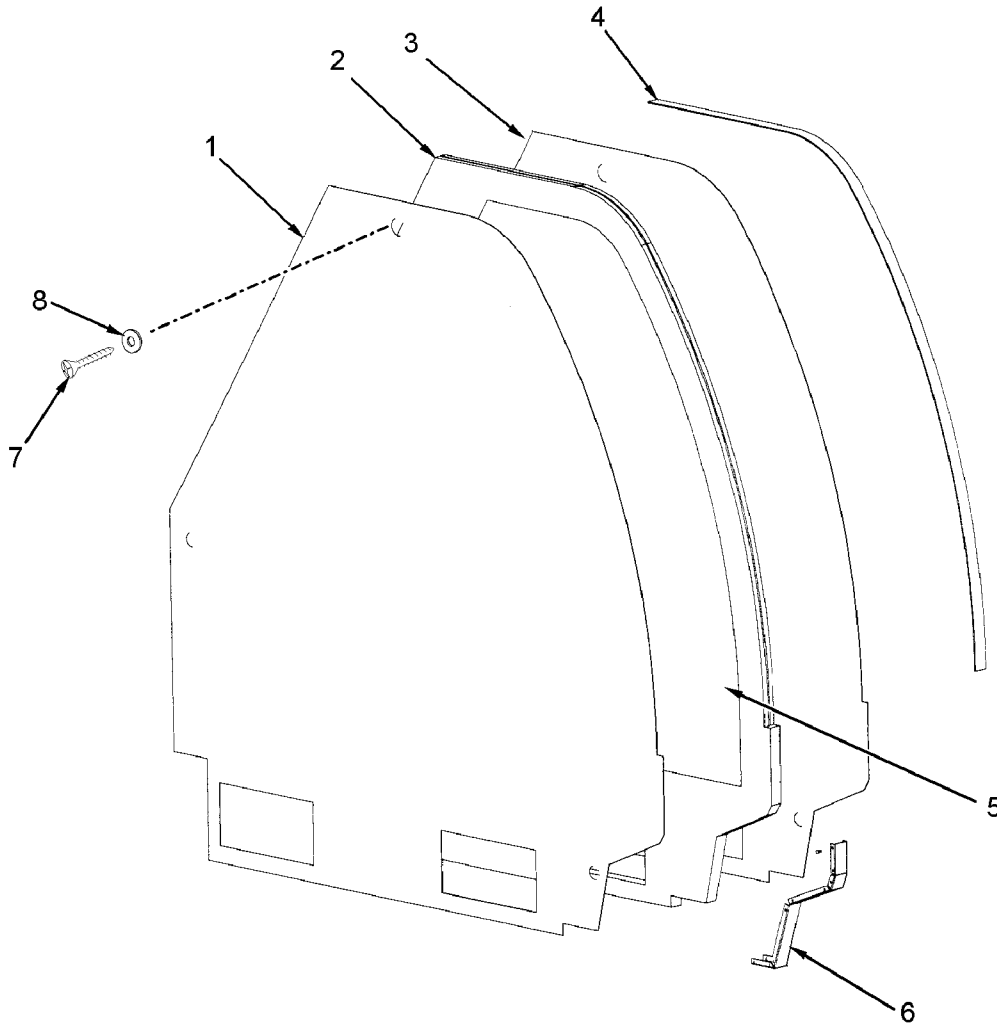
STRUCTURAL COMPONENTS - (CONT'D)
PATCH ENDS, PARTITIONS AND DIVIDERS
Solid Patch Ends with Glass - CDNLH



Item	Part No.	Qty.	Description	Item	Part No.	Qty.	Description
*	9036234	1	RH Solid End Assy. w/Glass Ptd. Pnl BRT/SS Lnr - 51.75"	9023460	1	39" End Bumper, Cool Gray	
*	9026235	1	LH Solid End Assy. w/Glass Ptd. Pnl BRT/SS Lnr - 51.75"	9023461	1	39" End Bumper, Black	
*	9026236	1	RH Solid End Assy. w/Glass Ptd. Pnl BRT/SS Lnr - 48"	9023462	1	39" End Bumper, Pearl	
*	9026237	1	LH Solid End Assy. w/Glass Ptd. Pnl BRT/SS Lnr - 48"	9310876	1	39" End Bumper, Steel Gray	
1	5100625	3	Nut, 5/16"-18	11	9027882	1	35" End Bumper Retainer
2	9022759	3	Stud, 5/16"-18 x 3"	9023453	1	41" End Bumper Retainer	
3	5101003	3	Lockwasher	12	9026528	4	End Bmpr. Cap, Pearly Gates
4	5100976	3	Washer	9027743	4	End Bmpr. Cap, Cool Gray	
5	9022760	3	Tapping Plate	9027744	4	End Bmpr. Cap, Black	
	9022756	3	Threaded Insert	9027742	4	End Bmpr. Cap, Pearl	
6	5234827	1	Top End Trim, BRT/SS	9310881	4	End Bmpr. Cap, Steel Gray	
7	5048626	2	Screw	13	5183536	4	Screw
8	9023928	1	Glass	14	5104702	17	Rivet
9	9024068	1	RH Glass Frame - BRT/SS	15	9024146	1	RH Bench Assy. w/Glass Ptd. Pnl BRT/SS Lnr - 51.75"
	9024074	1	LH Glass Frame - PPO		9024147	1	LH Bench. w/Glass Ptd. Pnl BRT/SS Lnr - 51.75"
10	9029311	1	33" End Bumper, Pearly Gates		9024148	1	RH Bench Assy. w/Glass Ptd. Pnl BRT/SS Lnr - 48"
	9027973	1	33" End Bumper, Cool Gray		9024149	1	LH Bench Assy. w/Glass Ptd. Pnl BRT/SS Lnr - 48"
	9027974	1	33" End Bumper, Black	16	9022460	1	RH Base End Close-off, Ptd.
	9027975	1	33" End Bumper, Pearl		9022467	1	LH Base End Close-off, Ptd.
	9040180	1	33" End Bumper, Steel Gray		1309067	3	Screw
	9023459	1	39" End Bumper, Pearly Gates				



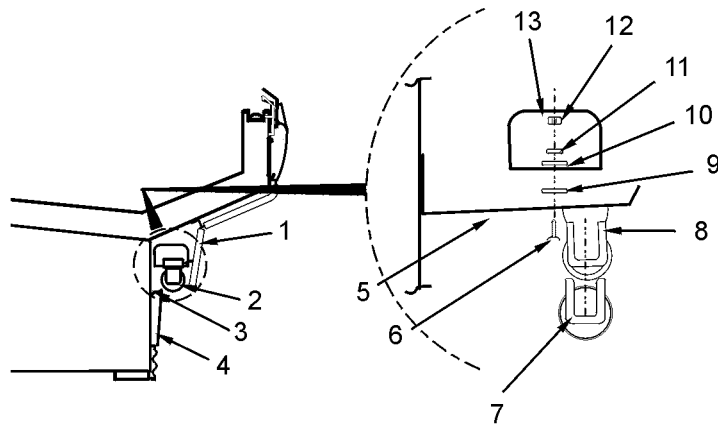
STRUCTURAL COMPONENTS - (CONT'D)
PATCH ENDS, PARTITIONS AND DIVIDERS
1" Solid Partitions - CDNLH



Item	Part No.	Qty.	Description
*	9030445	1	1" Solid Partition Assy.
	9035138	1	Opt. 1" Solid Partition Assy.
1	9030436	1	LH Panel, 51.75"
	9035143	1	Opt. LH Panel, 48"
2	9030443	1	Core
3	9030434	1	RH Panel, 51.75"
	9035142	1	Opt. LH Panel, 48"
4	9027656	4'	Edge Trim, BLK
5	9030444	1	Insulation
6	9030205	1	Trim Rail, Ptd.
	9030541	1	Opt Trim Rail, MB/SS
7	5148997	4	Screw
8	5100973	4	Washer



OPTIONAL CASE ACCESSORIES LOWER FRONT NOSE LIGHT - CDNLH

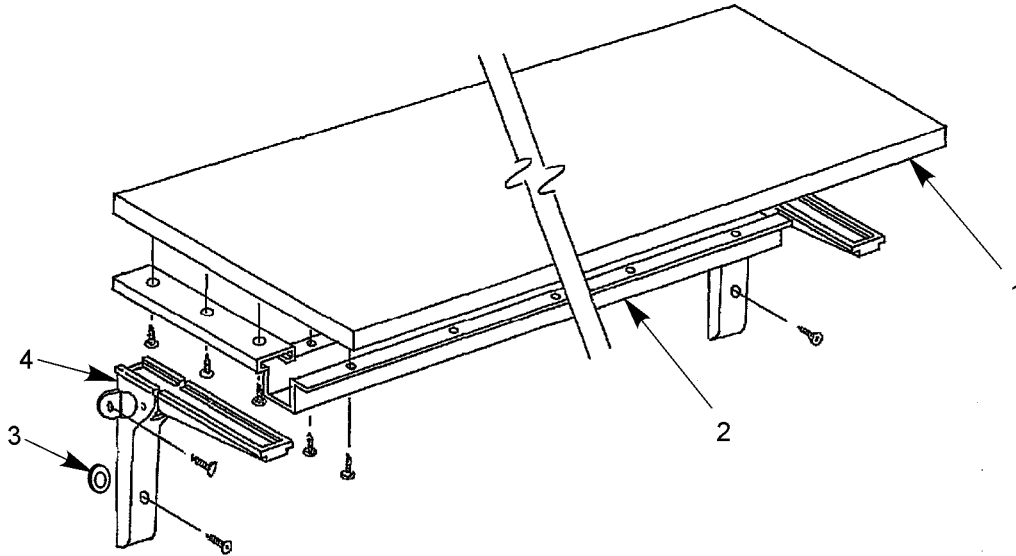


Item	Part No.	Qty.	Description
*	9020658	1	Lower Front T-8 Light Assy.
1	9022943	1	Lower Cladding-Lt. Shield, Ptd.
2	9028710	1	Light Channel Assy., T-8
3	5233215	3	Upper Base Cladding Support
4	9022947	1	Upper Front Cladding
5	5233277	1	Lower Light Channel
6	5100379	2	Screw
7	5981627	4	Lampholder Cap
8	5232279	4	Lampholder
9	5103997	2	Lockwasher
10	5101000	2	Lockwasher
11	5100973	2	Washer
12	5100661	2	Nut
13	5991029	1	Ballast, T-8



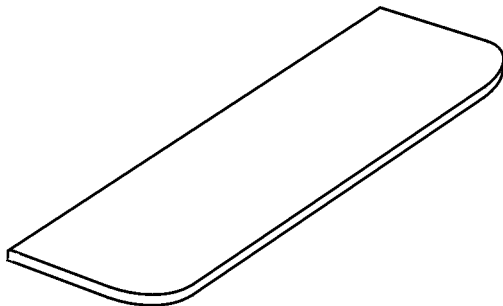
OPTIONAL CASE ACCESSORIES - (CONT'D)
SHELF ASSEMBLIES - CDNLH

Optional 48" & 60" Wrap Shelves



Item	Part No.	Qty.	Description	Item	Part No.	Qty.	Description
*	5983459	1	48" Poly Wrap Shelf Assy.	*	5983460	1	60" Poly Wrap Shelf Assy.
1	5190222	1	Poly Board, 9.5" x 47"	1	5190221	1	Poly Board, 9.5" x 59"
2	5190220	1	Reinforcement Channel	2	-----	-	N/A
3	5123781	8	Screw	3	5123781	12	Screw
4	5100970	8	Washer	4	5100970	12	Washer
5	5182581	2	Bracket	5	5182581	3	Bracket

Optional Front Shelves



Item	Part No.	Qty.	Description
-	5949992	1	4' Front Shelf, Imperial Oak
-	5949993	1	6' Front Shelf, Imperial Oak