



MiniCon - R Series

Air Cooled

Condensing Units

1/2 to 6 HP

Brochure 502.12 rev.4

January, 2006

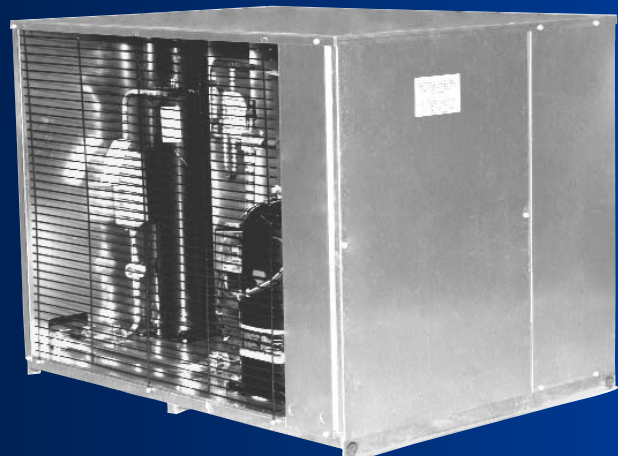
**NOW AVAILABLE
THROUGH 6 HP**

**Our newly re-designed condensing unit is:
installation friendly
service friendly
compact and efficient**

1/2 to 3 HP



4 to 6 HP





Description

Minicon R-Series condensing units are ideally suited for use in a variety of commercial applications such as cafeterias, convenience stores, restaurants and fast food outlets. R-Series units offer a winning combination of quality, economy, and flexibility coupled with lower long term operating costs.

This low profile product line has been designed around environmentally safer refrigerants. All models utilize R-22 or R-404A. Units are available with a choice of compressors: low cost hermetic and scroll or heavy duty semi-hermetic and discus.

In addition to the basic Indoor and Outdoor models described in this bulletin, Russell can also provide pre-engineered system packages with matching evaporators and accessories.

These Minicon condensing units are designed for operation in ambient air temperatures up to 110°F. Oversized condensers are available for most models. Contact our Applications Engineering department for requirements exceeding 110°F ambient temperature.

Russell's Sierra and High Sierra Systems give you the added benefits of higher energy savings with floating head pressure and liquid refrigerant subcooling. For more details see publication number 506 for Sierra information, and publication number 508 for High Sierra systems.

Options

- Factory installed air defrost timer
- Factory installed electric defrost timer with contactor
- Low ambient flooded control (STD on RL models)
- Mild ambient fan cycle control (for 2 fan units only)
- Wire fan guard(s) kit
- Suction line piping to exterior of cabinet (STD on RL models)
- Suction line kit with filter and piping
- Liquid line (piping only)
- Liquid line kit with piping, filter/ drier and sight glass (STD on RL models)

Features

Indoor/Outdoor Models (REH / RES / RED / REO)

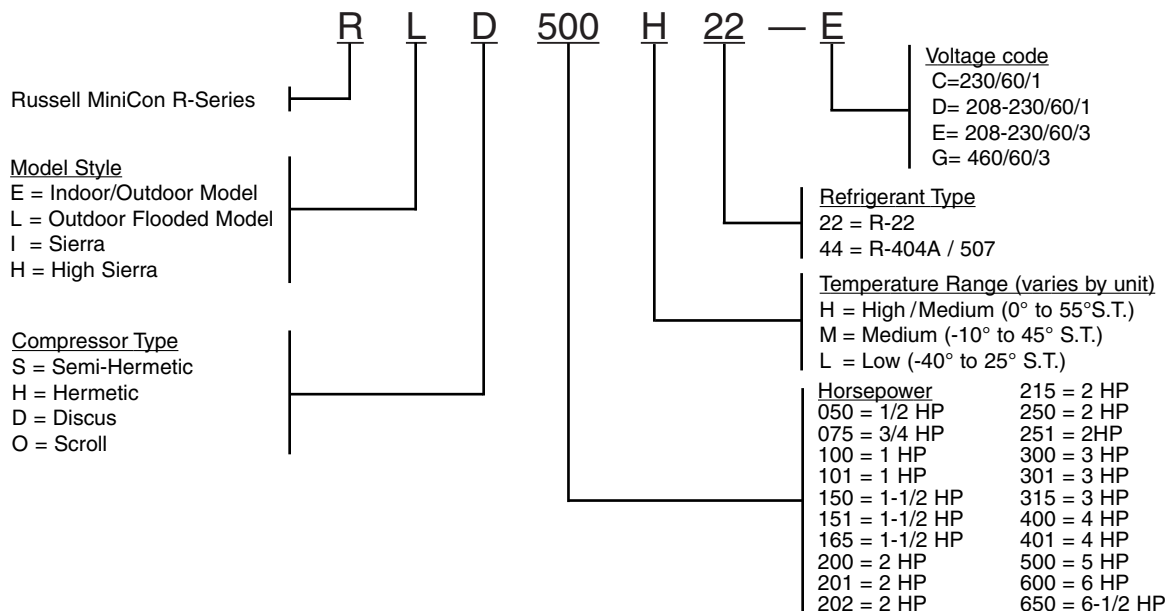
- Hermetic, Semi-hermetic, Discus or Scroll compressor.
- Generously sized condenser, Copper tubes/Aluminum fins
- Large electrical control panel for power and control circuits
- Compressor contactor or start kit
- Encapsulated high and low pressure controls (adjustable low pressure control on low temp models)
- Refrigerant receiver with shutoff valve and relief plug
- All-weather housing
- UL and C-UL listed for indoor or outdoor use

Optimized Packaged Units (RLH / RLS / RLD/ RLO)

- Includes all Indoor model features - plus:
- Liquid line kit with filter/drier and sight glass with moisture indicator
- Suction line piping to exterior of cabinet
- Low Ambient - flooded head pressure control valve
- Crankcase heater
- Electric defrost timer with defrost contactor/relay on low temperature models (ED10-230/1)
- Air Defrost Timer (2-1/2 through 6 HP High and Medium temp models only, optional for other HP)

- Suction accumulator
- Oil separator (not available with mounted accumulator)
- Crankcase heater
- Copper fins, or coated condenser coil
- Tiered stacking
- Liquid line solenoid
- Fused disconnect
- High ambient oversized condenser coil - contact Applications
- Spring mounting for semi-hermetic compressors

Nomenclature



Features and Options

	DESCRIPTION	STANDARD UNITS				PACKAGED UNITS			
		REH	RED	RES	REO	RLH	RLD	RLS	RLO
COMPRESSOR	Hermetic	STD	N/A	N/A	N/A	STD	N/A	N/A	N/A
	Discus	N/A	STD	N/A	N/A	N/A	STD	N/A	N/A
	Semi-Hermetic	N/A	N/A	STD	N/A	N/A	N/A	STD	N/A
	Scroll	N/A	N/A	N/A	STD	N/A	N/A	N/A	STD
ELECTRICAL CONTROLS	Oil failure control (as required)	N/R	STD	STD	N/R	N/R	STD	STD	N/R
	Encapsulated high and low pressure controls**	STANDARD				STANDARD			
	Compressor contactor (1Ø or 3Ø), start kit (1Ø)	STANDARD				STANDARD			
	Control transformer (460v to 230V) as required	STANDARD				STANDARD			
CONDENSER	Copper tubes, Aluminum fins	STANDARD				STANDARD			
	Fan motor(s) - overload protection	STANDARD				STANDARD			
	Fan blade(s) - individually balanced	STANDARD				STANDARD			
	Fan guard(s)	OPTIONAL				OPTIONAL			
PIPING COMPONENTS	Suction line (vibrasorber† and piping only)	OPTIONAL				STANDARD			
	Suction kit (vibrasorber†, piping and suction filter)	OPTIONAL				OPTIONAL			
	Suction line accumulator	OPTIONAL				OPTIONAL			
	*Liquid line kit	OPTIONAL				STANDARD			
	Discharge vibrasorber	N/R	STD††	STD††	N/R	N/R	STD††	STD††	N/R
RECEIVER	Shut-off valve(s)	STANDARD				STANDARD			
	Fusible plug	STANDARD				STANDARD			
HOUSING	Galvanized steel all weather housing	STANDARD				STANDARD			
	Control panel	STANDARD				STANDARD			
LOW AMBIENT CONTROLS	Sierra	See Publication No. 506				NOT AVAILABLE			
	High Sierra	See Publication No. 508				NOT AVAILABLE			
	Fan cycle control (2 Fan models only)	OPTIONAL				OPTIONAL			
	Flooded head pressure control	OPTIONAL				STANDARD			
DEFROST PROVISIONS	Air defrost time clock	OPTIONAL				STD on 3-6 HP			
	Electric defrost package	OPTIONAL				(1)	(1)	(1)	(1)
	Hot gas defrost package	See High Sierra Pub. 508				See High Sierra Pub. 508			
TESTING	UL and C-UL listed	STANDARD				STANDARD			
	Leak and dielectric tested before shipping	STANDARD				STANDARD			
	Dry Nitrogen shipping charge (25 to 35 PSI)	STANDARD				STANDARD			

STD = Standard Feature

N/R = Not Required

N/A = Not Available

OPT = Optional Feature

† Vibrasorber not required for Hermetic and Scroll compressors. Vibrasorber not included for 1/2 through 2HP models, Add optional kit SPR-VB if suction vibrasorber required.

†† Standard for 2-1/2 through 6HP Models. For 1/2 to 2HP models, add kit number SPR-VB to include vibrasorbers and compressor spring mounting.

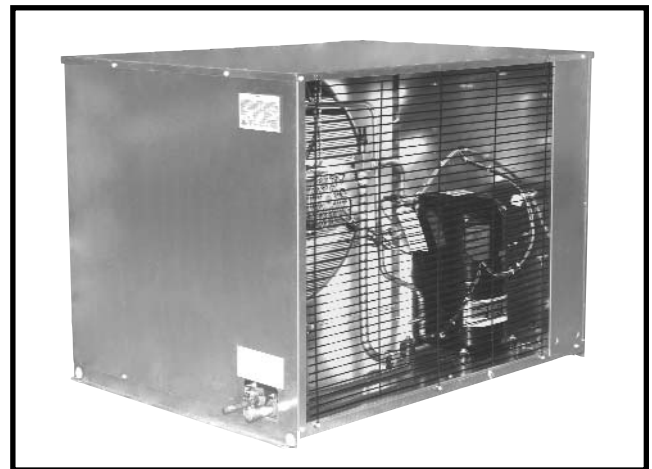
*Liquid line kit includes: piping, filter drier, sight glass/moisture indicator.

** Adjustable low pressure control on low temp models in lieu of fixed control.

(1) Electric defrost kit is included on Low temperature models. ED-10-230/1 for 1/2 to 3 HP models, and ED11-230/3 for 4 to 6 HP models.



1/2 through 3 HP



4 through 6 HP

Performance Data

Physical Data

Hermetic Models

	MODEL NUMBER	NOM HP	CAPACITY (BTUH) AT 95°F AMBIENT											REC'R @ 90% (LBS)	FIG.	CONN. (ODS, IN.)		APPROX. SHIP WT. (lbs.)
			SUCTION TEMPERATURE °F													LIQ.	SUC.	
			+40°	+30°	+25°	+20°	+10°	0°	-10°	-20°	-25°	-30°	-40°					
404A	R*H050M44	0.50	----	6000	5400	4800	3800	----	----	----	----	----	----	5.1	1	3/8	5/8	152
	R*H075M44	0.75	----	8800	8100	7400	6200	----	----	----	----	----	----	5.1	1	3/8	5/8	167
	R*H101M44	1.00	----	12200	11300	10500	8500	----	----	----	----	----	----	8.6	2	3/8	5/8	195
	R*H150M44	1.50	----	15700	14300	13000	10400	----	----	----	----	----	----	8.6	2	3/8	7/8	228
	R*H201M44	2.00	----	23900	21100	19300	15700	----	----	----	----	----	----	8.6	2	3/8	7/8	253
	R*H300M44	3.00	----	28000	25300	22700	18100	----	----	----	----	----	----	13.7	2	1/2	1-1/8	273
	R*H400M44	4.00	----	34700	31600	28500	22700	----	----	----	----	----	----	24.3	3	1/2	1-1/8	390
	R*H500M44	5.00	----	42300	37500	34300	27500	----	----	----	----	----	----	24.3	3	1/2	1-1/8	405
	R*H050L44	0.50	----	----	----	----	----	2650	2010	1520	1200	----	----	5.1	1	3/8	5/8	152
	R*H075L44	0.75	----	----	----	----	----	4400	3350	2250	1600	----	----	5.1	1	3/8	5/8	157
	R*H100L44	1.00	----	----	----	----	----	5700	4300	2950	2250	----	----	5.1	1	3/8	5/8	180
	R*H165L44	1.50	----	----	----	----	----	10190	7940	5670	4690	3770	----	8.6	2	3/8	7/8	195
	R*H215L44	2.00	----	----	----	----	----	16420	12930	8870	7360	5940	----	8.6	2	3/8	7/8	243
	R*H315L44	3.00	----	----	----	----	----	20870	15940	11320	9508	7610	----	13.7	2	1/2	1-1/8	255
22	R*H051H22	0.50	7550	6280	5810	5120	3990	2930	----	----	----	----	----	6.0	1	3/8	5/8	170
	R*H075H22	0.75	8950	7300	6550	5800	4450	3200	----	----	----	----	----	6.0	1	3/8	5/8	175
	R*H100H22	1.00	13000	10600	9550	8500	6550	4750	----	----	----	----	----	6.0	1	3/8	5/8	180
	R*H151H22	1.50	16300	14640	12950	11560	8920	5675	----	----	----	----	----	10.0	2	3/8	7/8	210
	R*H201H22	2.00	22850	19780	16390	14520	11100	7990	----	----	----	----	----	10.0	2	3/8	7/8	223
	R*H251H22	2.50	29840	24530	22300	20250	14960	10670	----	----	----	----	----	16.0	2	1/2	7/8	245
	R*H301H22	3.00	37070	30800	27830	24560	18580	13200	----	----	----	----	----	16.0	2	1/2	7/8	260
	R*H401H22	4.00	52690	43010	38720	34650	24600	18100	----	----	----	----	----	28.2	3	1/2	7/8	348
R*H500H22	5.00	56900	47100	42550	38200	30000	22300	----	----	----	----	----	28.2	3	1/2	7/8	380	

Scroll Models

	MODEL #	HP	+35°	+30°	+25°	+20°	+10°	0°	-10°	-20°	-25°	-30°	-40°	REC'R	FIG.	LIQ.	SUC.	SHIP WT.
404A	R*O200M44	2.00	21930	20350	18820	17360	14630	12160	----	----	----	----	----	13.7	2	1/2	7/8	215
	R*O250M44	2.50	27080	25050	23160	21320	17900	14840	----	----	----	----	----	13.7	2	1/2	1-1/8	230
	R*O300M44	3.00	31110	29050	26940	24860	20850	17090	----	----	----	----	----	13.7	2	1/2	1-1/8	305
	R*O301M44	3.00	37190	34790	32330	29540	25190	20770	----	----	----	----	----	13.7	2	1/2	1-1/8	325
	R*O400M44	4.00	44000	40480	37640	34630	29310	24800	----	----	----	----	----	24.3	3	1/2	1-1/8	352
	R*O600M44	6.00	50400	47800	44200	41100	34500	28800	----	----	----	----	----	24.3	3	1/2	1-1/8	383
	R*O650M44	6.50	60240	56520	52860	49060	42050	34840	----	----	----	----	----	24.3	3	1/2	1-1/8	405
	R*O200L44	2.00	----	----	----	----	----	11330	9400	7670	6870	6110	4390	13.7	2	1/2	7/8	230
	R*O250L44	2.50	----	----	----	----	----	13800	12100	10060	8980	7720	5800	13.7	2	1/2	7/8	240
	R*O300L44	3.00	----	----	----	----	----	15960	13380	11360	9680	8670	6520	13.7	2	1/2	1-1/8	245
	R*O301L44	3.00	----	----	----	----	----	18760	15530	12580	11250	10160	8110	13.7	2	1/2	1-1/8	255
	R*O400L44	4.00	----	----	----	----	----	24090	19800	15940	14080	12430	8600	24.3	3	1/2	1-1/8	352
	R*O500L44	5.00	----	----	----	----	----	28490	23650	19250	17270	13200	11990	24.3	3	1/2	1-1/8	367
	R*O600L44	6.00	----	----	----	----	----	33400	27400	22100	19800	17600	13600	24.3	3	1/2	1-1/8	383
22	R*O200M22	2.00	21020	19890	18270	16900	13960	----	----	----	----	----	----	16.0	2	1/2	7/8	215
	R*O250M22	2.50	25340	23400	21310	19940	16370	----	----	----	----	----	----	16.0	2	1/2	1-1/8	230
	R*O300M22	3.00	30440	28170	25840	23470	19330	----	----	----	----	----	----	16.0	2	1/2	1-1/8	305
	R*O301M22	3.00	38180	34720	31890	28310	22730	----	----	----	----	----	----	16.0	2	1/2	1-1/8	325
	R*O400M22	4.00	43320	39910	37460	33680	27750	----	----	----	----	----	----	28.2	3	1/2	1-1/8	352
	R*O600M22	6.00	52390	48370	43930	41010	34010	----	----	----	----	----	----	28.2	3	1/2	1-1/8	383
R*O650M22	6.50	63120	57830	51850	48280	41130	----	----	----	----	----	----	28.2	3	1/2	1-1/8	405	

NOTE: For 90°F ambient multiply capacity by 1.03. Reduce capacity by 3% for each 5° increase in ambient temperature. Consult factory for capacities above 110°F Amb.

Electrical Data

Hermetic Models

MODEL NUMBER	COMP. MODEL NUMBER	AMPS @ 230/1/60					AMPS @ 208/230/3/60					AMPS @ 460/3/60				
		COMPRESSOR		COND	TOTAL	MCA	COMPRESSOR		COND	TOTAL	MCA	COMPRESSOR		COND	TOTAL	MCA
		RLA	LRA	FLA	UNIT†	‡	RLA	LRA	FLA	UNIT†	‡	RLA	LRA	FLA	UNIT†	‡
R*H050M44	RS43C1E	5.4	24.1	1.0	7.4	15.0	-----	-----	-----	-----	-----	-----	-----	-----	-----	-----
R*H075M44	RS70C1E	7.0	34.2	1.0	9.0	15.0	4.7	31.0	1.0	6.7	15.0	-----	-----	-----	-----	-----
R*H101M44	RS97C1E	11.0	51.0	2.0	14.0	17.0	7.0	35.0	2.0	10.0	15.0	-----	-----	-----	-----	-----
R*H150M44	CS12K6E	10.9	56.0	2.0	13.9	17.0	7.5	51.0	2.0	10.5	15.0	-----	-----	-----	-----	-----
R*H201M44	CS18K6E	16.0	82.0	2.0	19.0	23.0	10.4	65.0	2.0	13.4	16.0	-----	-----	-----	-----	-----
R*H300M44	CS20K6E	18.0	96.0	2.0	21.0	26.0	11.4	75.0	2.0	14.4	19.0	-----	-----	-----	-----	-----
R*H400M44	CS27K6E	23.9	95.4	3.2	28.1	35.0	15.3	82.0	3.2	19.5	24.0	-----	-----	-----	-----	-----
R*H500M44	CS33K6E	30.7	125.0	3.2	34.9	43.0	20.7	90.0	3.2	24.9	31.0	8.6	45.0	2.1	11.2	15.0
R*H050L44	RS43C1E	5.4	24.1	1.0	7.4	15.0	-----	-----	-----	-----	-----	-----	-----	-----	-----	-----
R*H075L44	RS70C1E	7.0	34.2	1.0	9.0	15.0	4.7	31.0	1.0	6.7	15.0	-----	-----	-----	-----	-----
R*H100L44	RS97C1E	11.0	51.0	1.0	13.0	16.0	7.0	35.0	1.0	9.0	15.0	-----	-----	-----	-----	-----
R*H165L44	CF06K6E	11.4	59.2	2.0	14.4	18.0	7.0	52.0	2.0	10.0	15.0	-----	-----	-----	-----	-----
R*H215L44	CF09K6E	16.7	87.0	2.0	19.7	24.0	10.2	72.0	2.0	13.2	16.0	-----	-----	-----	-----	-----
R*H315L44	CF12K6E	20.5	105.0	2.0	23.5	28.0	12.3	85.0	2.0	15.3	18.0	6.6	42.0	1.0	8.1	15.0
R*H051H22	ART82C1	5.9	30.0	1.0	7.9	15.0	-----	-----	-----	-----	-----	-----	-----	-----	-----	-----
R*H075H22	RSE-0075	7.1	35.5	1.0	9.1	15.0	-----	-----	-----	-----	-----	-----	-----	-----	-----	-----
R*H100H22	RS70C1	7.0	34.2	1.0	9.0	15.0	4.7	31.0	1.0	6.7	15.0	-----	-----	-----	-----	-----
R*H151H22	CR18KQ	9.0	41.0	2.0	12.0	15.0	6.0	44.2	2.0	9.0	15.0	-----	-----	-----	-----	-----
R*H201H22	CR24KQ	13.5	70.5	2.0	16.5	20.0	7.5	40.0	2.0	10.5	15.0	-----	-----	-----	-----	-----
R*H251H22	CR33KQ	16.0	75.0	2.0	19.0	23.0	10.6	69.0	2.0	13.6	17.0	4.7	31.6	1.0	6.2	15.0
R*H301H22	CR41KQ	19.4	110.0	2.0	22.4	28.0	13.1	80.0	2.0	16.1	20.0	5.9	42.0	1.0	7.4	15.0
R*H401H22	CR53KQ	29.0	140.0	3.2	33.2	41.0	18.0	107.0	3.2	22.2	27.0	9.1	55.0	2.1	11.7	15.0
R*H500H22	CRN-0500	34.3	142.0	3.2	38.5	48.0	21.4	130.0	3.2	25.6	31.0	9.6	65.0	2.1	12.2	15.0

Scroll Models

R*O200M44	ZS15K4E	13.6	55.0	2.0	17.5	20.0	9.3	55.0	2.0	12.3	15.0	4.3	27.0	1.0	5.8	15.0
R*O250M44	ZS19K4E	16.4	73.0	2.0	20.3	25.0	9.7	63.0	2.0	12.7	15.0	5.0	31.0	1.0	6.5	15.0
R*O300M44	ZS21K4E	16.4	88.0	2.0	20.6	25.0	11.1	77.0	2.0	14.1	17.0	5.7	39.0	1.0	7.2	15.0
R*O301M44	ZS26K4E	20.7	109.0	2.0	24.9	30.0	13.6	88.0	2.0	16.6	20.0	7.1	44.0	1.0	8.6	15.0
R*O400M44	ZS30K4E	26.8	129.0	3.2	31.0	38.0	15.0	99.0	3.2	19.2	23.0	8.2	49.5	2.1	10.8	15.0
R*O600M44	ZS38K4E	31.8	169.0	3.2	36.0	36.0	21.4	123.0	3.2	25.6	31.0	9.6	62.0	2.1	12.2	15.0
R*O650M44	ZS45K4E	-----	-----	-----	-----	-----	23.9	156.0	3.2	28.1	34.0	9.3	70.0	2.1	11.9	15.0
R*O200L44	ZF06K4E	13.6	55.0	2.0	16.6	20.0	9.3	55.0	2.0	12.3	16.0	4.3	27.0	1.0	5.8	15.0
R*O250L44	ZF08K4E	16.4	73.0	2.0	19.4	25.0	9.7	63.0	2.0	12.7	16.0	5.0	31.0	1.0	6.5	15.0
R*O300L44	ZF09K4E	16.4	88.0	2.0	19.4	25.0	11.1	77.0	2.0	14.1	17.0	5.7	39.0	1.0	7.2	15.0
R*O301L44	ZF11K4E	20.7	109.0	2.0	23.7	30.0	13.6	88.0	2.0	16.6	20.0	7.1	44.0	1.0	8.6	15.0
R*O400L44	ZF13K4E	26.8	129.0	3.2	31.0	38.0	15.0	99.0	3.2	19.2	23.0	8.2	57.0	2.1	10.8	19.0
R*O500L44	ZF15K4E	31.5	169.0	3.2	35.7	44.0	21.4	123.0	3.2	25.6	31.0	9.6	62.0	2.1	12.2	23.0
R*O600L44	ZF18K4E	-----	-----	-----	-----	-----	23.9	156.0	3.2	28.1	34.0	9.3	70.0	2.1	11.9	23.0
R*O200M22	ZS15K4E	13.6	55.0	2.0	17.5	20.0	9.3	55.0	2.0	12.3	15.0	4.3	27.0	1.0	5.8	15.0
R*O250M22	ZS19K4E	16.4	73.0	2.0	20.3	25.0	9.7	63.0	2.0	12.7	15.0	5.0	31.0	1.0	6.5	15.0
R*O300M22	ZS21K4E	16.4	88.0	2.0	20.6	25.0	11.1	77.0	2.0	14.1	17.0	5.7	39.0	1.0	7.2	15.0
R*O301M22	ZS26K4E	20.7	109.0	2.0	24.9	30.0	13.6	88.0	2.0	16.6	20.0	7.1	44.0	1.0	8.6	15.0
R*O400M22	ZS30K4E	26.8	129.0	3.2	31.0	38.0	15.0	99.0	3.2	19.2	23.0	8.2	49.5	2.1	10.8	15.0
R*O600M22	ZS38K4E	31.8	169.0	3.2	36.0	44.0	21.4	123.0	3.2	25.6	31.0	9.6	62.0	2.1	12.2	15.0
R*O650M22	ZS45K4E	-----	-----	-----	-----	-----	23.9	156.0	3.2	28.1	34.0	9.3	70.0	2.1	11.9	15.0



Performance Data

Physical Data

Semi-Hermetic Models

MODEL NUMBER	NOM H.P.	CAPACITY (BTUH) AT 95°F AMBIENT											REC'R @ 90% (LBS.)	FIG	CONN. (ODS. IN.)		APPROX. SHIP WT. (lbs.)
		SUCTION TEMPERATURE													LIQ.	SUC.	
		+40°	+30°	+25°	+20°	+10°	0°	-10°	-20°	-25°	-30°	-40°					
R*S050M44	0.5	----	----	4650	4250	3420	2690	----	----	----	----	----	5.1	1	3/8	5/8	189
R*S100M44	1	----	----	8150	7550	6260	5040	----	----	----	----	----	5.1	1	3/8	5/8	205
R*S200M44	2	----	----	14100	12800	10600	8600	----	----	----	----	----	8.6	2	3/8	7/8	270
R*S300M44	3	----	----	25900	23600	19300	15500	----	----	----	----	----	13.7	2	1/2	1-1/8	415
R*S400M44	4	----	----	30500	27900	23000	18300	----	----	----	----	----	24.3	3	1/2	1-1/8	430
R*S050L44	0.5	----	----	----	----	----	3000	2400	1800	1550	1300	900	5.1	1	3/8	5/8	189
R*S075L44	0.75	----	----	----	----	----	5000	4000	3100	2700	2300	1600	5.1	1	3/8	5/8	205
R*S100L44	1	----	----	----	----	----	6800	5500	4400	3850	3300	2400	5.1	1	3/8	5/8	220
R*S150L44	1.5	----	----	----	----	----	10500	8600	6800	6000	5200	3900	8.6	2	3/8	7/8	248
R*S200L44	2	----	----	----	----	----	13800	11100	8700	7600	6500	4300	8.6	2	3/8	7/8	290
R*S250L44	3	----	----	----	----	----	15600	12300	9400	8100	6800	4800	13.7	2	1/2	1-1/8	385
R*S300L44	3	----	----	----	----	----	20900	16700	12800	11050	9300	6300	13.7	2	1/2	1-1/8	383

R*S050H22	0.5	4930	4100	3700	3330	2650	2070	----	----	----	----	----	6.0	1	3/8	5/8	189
R*S075H22	0.75	9020	7280	6480	5730	4370	3200	----	----	----	----	----	6.0	1	3/8	5/8	215
R*S100H22	1	12060	9950	8980	8080	6450	5070	----	----	----	----	----	6.0	1	3/8	5/8	220
R*S150H22	1.5	16600	13600	12200	10800	8500	6400	----	----	----	----	----	10.0	2	3/8	7/8	247
R*S200H22	2	22500	18400	16600	14800	11500	8400	----	----	----	----	----	10.0	2	3/8	7/8	260
R*S300H22	3	34500	28200	25300	22600	17800	13800	----	----	----	----	----	16.0	2	1/2	1-1/8	420
R*S400H22	4	47600	39200	35300	31600	25000	19200	----	----	----	----	----	28.2	3	1/2	1-1/8	510
R*S400M22	4	----	----	31500	28300	22400	17800	----	----	----	----	----	28.2	3	1/2	1-1/8	490
R*S500H22	5	56800	47000	42400	38100	30100	23100	----	----	----	----	----	28.2	3	1/2	1-1/8	515
R*S500M22	5	----	----	50600	45500	36300	29000	----	----	----	----	----	28.2	3	1/2	1-1/8	505
R*S050L22	0.5	----	----	----	----	----	3300	2500	1750	1450	1150	700	6.0	1	3/8	5/8	192
R*S075L22	0.75	----	----	----	----	----	5450	4200	3150	2700	2250	1500	6.0	1	3/8	5/8	197
R*S100L22	1	----	----	----	----	----	7200	5600	4200	3625	3050	2150	6.0	1	3/8	5/8	205
R*S200L22	2	----	----	----	----	----	8500	6450	4850	4200	3550	2450	10.0	2	3/8	7/8	290
R*S201L22	2	----	----	----	----	----	11350	8800	6550	5600	4650	3000	10.0	2	3/8	7/8	320
R*S202L22	2	----	----	----	----	----	13800	10700	7900	6750	5600	4100	10.0	2	3/8	7/8	330
R*S300L22	3	----	----	----	----	----	20600	16100	11900	10050	8200	5650	16.0	2	1/2	1-1/8	412

Discus Models

R*D500M44	5	63700	53600	49100	44800	36700	29500	23500	----	----	----	----	24.3	3	1/2	1-1/8	630
R*D600M44	6	71300	61200	56300	51600	42700	34700	27700	----	----	----	----	24.3	3	1/2	1-1/8	630
R*D300L44	3	----	----	----	----	----	29700	23800	18300	16000	13700	9600	24.3	3	1/2	1-1/8	575
R*D400L44	4	----	----	----	----	----	34100	26800	21800	19350	16900	13000	24.3	3	1/2	1-1/8	600
R*D500L44	5	----	----	----	----	----	39500	32100	25300	22450	19600	15000	24.3	3	1/2	1-1/8	620
R*D500H22	5	64100	53300	48300	43600	34800	----	----	----	----	----	----	28.2	3	1/2	1-1/8	630
R*D300L22	3	----	----	----	----	----	26700	20600	15600	13550	11500	7900	28.2	3	1/2	1-1/8	575
R*D400L22	4	----	----	----	----	----	30800	24100	18100	15550	13000	8800	28.2	3	1/2	1-1/8	600
R*D500L22	5	----	----	----	----	----	37300	29200	22100	19050	16000	11000	28.2	3	1/2	1-1/8	620

NOTE: For 90°F ambient multiply capacity by 1.03. Reduce capacity by 3% for each 5° increase in ambient temperature. Consult factory for capacities above 110°F Amb.

Electrical Data

Semi-Hermetic Models

MODEL NUMBER	COMP. MODEL NUMBER	AMPS @ 230/1/60					AMPS @ 208/230/3/60					AMPS @ 460/3/60				
		COMPRESSOR		COND	TOTAL	MCA	COMPRESSOR		COND	TOTAL	MCA	COMPRESSOR		COND	TOTAL	MCA
		RLA	LRA	FLA	UNIT†	‡	RLA	LRA	FLA	UNIT†	‡	RLA	LRA	FLA	UNIT†	‡
R*S050M44	HAJ-005E	3.7	22.0	1.0	5.7	15	2.2	13.0	1.0	4.2	15	----	----	----	----	----
R*S100M44	KAR-010E	7.4	40.0	1.0	9.4	15	4.3	27.0	1.0	6.3	15	----	----	----	----	----
R*S200M44	KAK-020E	10.6	55.0	2.0	13.6	17	6.8	50.0	2.0	9.8	15	----	----	----	----	----
R*S300M44	ERF-031E	----	----	----	----	----	12.4	82.0	2.0	15.4	20	5.8	41.0	1.0	7.3	15
R*S400M44	NRB-040E	----	----	----	----	----	21.8	141.0	3.2	26.0	32	----	----	----	----	----
R*S050L44	KAN-005E	3.6	24.0	1.0	5.6	15	2.2	13.2	1.0	4.2	15	----	----	----	----	----
R*S075L44	KAM-007E	5.6	35.0	1.0	7.6	15	3.2	19.9	1.0	5.2	15	----	----	----	----	----
R*S100L44	KAJ-010E	6.9	40.0	1.0	8.9	15	4.5	27.0	1.0	6.5	15	----	----	----	----	----
R*S150L44	KAL-016E	9.9	55.0	2.0	12.9	16	6.6	50.0	2.0	9.6	15	----	----	----	----	----
R*S200L44	EAV-021E	14.7	102.0	2.0	17.7	22	7.4	50.0	2.0	10.4	15	----	----	----	----	----
R*S250L44	3AB-031E	**14.7	86.0	2.0	17.7	22	10.0	82.0	2.0	13.0	16	----	----	----	----	----
R*S300L44	LAH-032E	**16.7	105.0	2.0	19.7	24	12.8	112.0	2.0	15.8	19	6.0	56.0	1.0	7.5	15

R*S050H22	HAG-0050	4.4	22.0	1.0	6.4	15	2.4	13.0	1.0	4.4	15	----	----	----	----	----
R*S075H22	KAN-0075	6.1	36.0	1.0	8.1	15	3.5	19.9	1.0	5.5	15	----	----	----	----	----
R*S100H22	KAR-010E	7.4	40.0	1.0	9.4	15	4.3	27.0	1.0	6.3	15	----	----	----	----	----
R*S150H22	KAG-0150	9.6	55.0	2.0	12.6	15	5.5	35.5	2.0	8.5	15	----	----	----	----	----
R*S200H22	KAK-020E	10.6	55.0	2.0	13.6	17	6.8	50.0	2.0	9.8	15	----	----	----	----	----
R*S300H22	ERF-0310	**17.0	86.0	2.0	20.0	25	11.7	82.0	2.0	14.7	18	6.4	41.0	1.0	7.9	15
R*S400H22	NRB-0400	----	----	----	----	----	21.8	141.0	3.2	26.0	32	11.3	62.5	2.1	13.9	16
R*S400M22	3RA-0311	*19.8	*86.0	*3.2	*22.0	*27	14.2	82.0	3.2	18.4	22	6.3	41.0	2.1	8.9	15
R*S500H22	NRA-0500	----	----	----	----	----	19.2	141.0	3.2	23.4	29	9.6	62.5	2.1	12.2	15
R*S500M22	NRM-0500	----	----	----	----	----	24.3	141.0	3.2	28.5	35	12.1	62.5	2.1	14.7	18
R*S050L22	KAN-005E	3.6	24.0	1.0	5.6	15	----	----	----	----	----	----	----	----	----	----
R*S075L22	KAM-007E	5.6	36.0	1.0	7.6	15	3.2	19.9	1.0	5.2	15	----	----	----	----	----
R*S100L22	KAJ-010E	6.9	40.0	1.0	8.9	15	4.5	27.0	1.0	6.5	15	----	----	----	----	----
R*S200L22	KAK-021E	10.6	55.0	2.0	13.6	17	6.8	50.0	2.0	9.8	15	----	----	----	----	----
R*S201L22	EAD-0200	**8.4	58.0	2.0	11.4	15	6.8	46.0	2.0	9.8	15	----	----	----	----	----
R*S202L22	EAV-021E	14.7	102.0	2.0	17.7	22	7.4	50.0	2.0	10.4	15	----	----	----	----	----
R*S300L22	LAH-032E	**16.6	93.0	2.0	19.6	24	10.7	82.0	2.0	13.7	17	6.0	56.0	1.0	7.5	15

Discus Models

R*D500M44	2DD-050E	----	----	----	----	----	22.3	120.0	3.2	26.5	33	10.5	60.0	2.1	13.1	16
R*D600M44	2DL-075E	----	----	----	----	----	31.6	169.0	3.2	35.8	44	13.8	85.0	2.1	15.6	20
R*D300L44	2DF-030E	----	----	----	----	----	16.8	102.0	3.2	21.0	26	8.1	52.0	2.1	10.7	17
R*D400L44	2DL-040E	----	----	----	----	----	26.3	161.0	3.2	30.5	38	10.2	60.0	2.1	12.8	22
R*D500L44	2DA-060E	----	----	----	----	----	28.8	161.0	3.2	33.0	41	10.2	60.0	2.1	12.8	24
R*D500H22	2DD-050E	----	----	----	----	----	22.3	120.0	3.2	26.5	33	10.5	60.0	2.1	13.1	16
R*D300L22	2DF-030E	----	----	----	----	----	16.8	102.0	3.2	21.0	26	8.1	52.0	2.1	10.7	17
R*D400L22	2DL-040E	----	----	----	----	----	26.3	161.0	3.2	30.5	38	10.2	60.0	2.1	12.8	22
R*D500L22	2DA-060E	----	----	----	----	----	28.8	161.0	3.2	33.0	41	10.2	60.0	2.1	12.8	24

** Designated compressors are rated for 230/1/60 application only. Consult factory for 208/1 V.

† Total Unit Amps includes approximate allowance for control circuit as follows: 1A - 208/230V; 0.5A - 460V.

‡ MCA Minimum Circuit Ampacity does not include evaporator(s) electrical requirements. (Evaporator fan motor amps, defrost heater amps)
Contact factory for specific details.

* Uses 3RA-0310 for Single Phase

Physical Dimensions - All Models

