

TLM Lift Straight Front Glass



Model TLM with optional glass window patch ends shown.



TLM meat service merchandisers meat service merchandisers provide optimum dual-coil cooling to ensure product integrity. The straight front-lift glass is designed to maximize product viewing, while the glass lift system allows easy front access for stocking and merchandising of fresh meat products.

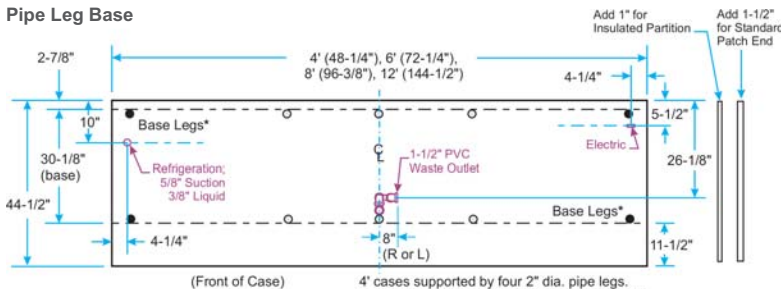
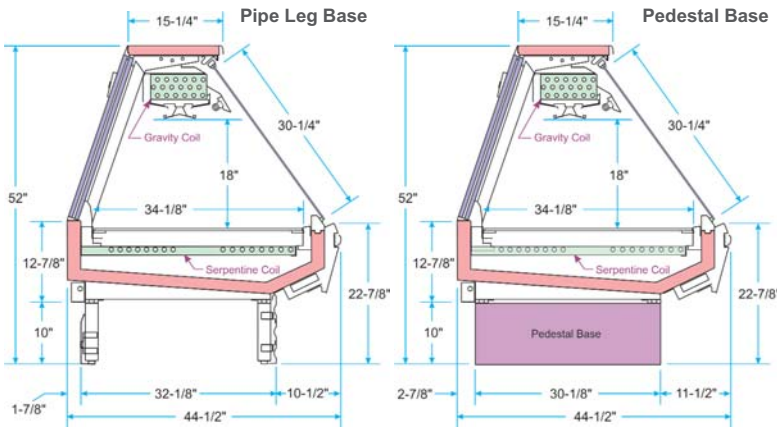
Features & Benefits

- ♦ Energy-efficient copper tube and aluminum fin coils.
- ♦ Single row of energy-efficient T8 top lights for increased product illumination.
- ♦ Easy lifting, tempered front glass. Ambient air band eliminates condensation on front glass.
- ♦ 25" clear sliding rear doors for easy access to interior.
- ♦ Pipe leg base and removable kickplate facilitate cleaning under the case.
- ♦ Off-cycle defrost.

Options

- ♦ Anti-glare front glass.
- ♦ Second row of T8 top lights.
- ♦ Pedestal base or 6-1/4" short pipe legs provide base and case height flexibility.
- ♦ Glass windows on patch end panels.
- ♦ Powder-coated display screens.
- ♦ Scale shelves.

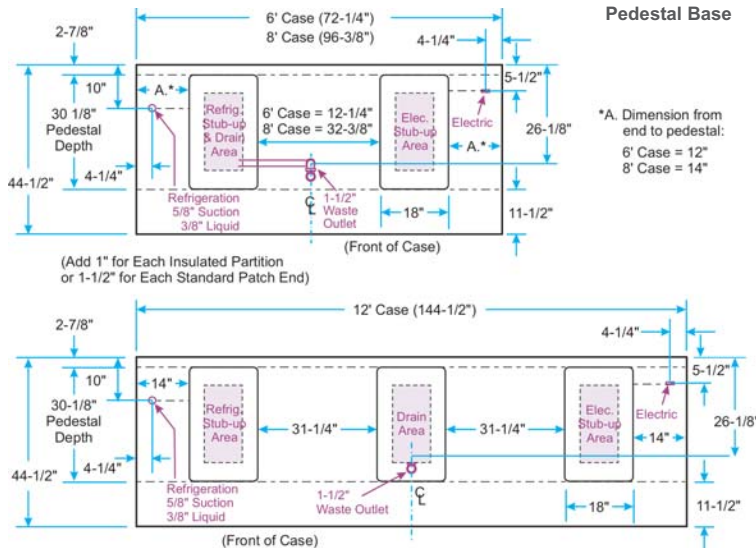
Specifications are subject to engineering changes without notice.



(Front of Case) 4' cases supported by four 2" dia. pipe legs. 6' & 8' cases supported by six 2" dia. pipe legs. 12' cases supported by eight 2" dia. pipe legs.

Model	Case Length	Description	Capacity in Cubic Feet
TLM (Pipe Legs)	4' • 6' • 8' • 12'	Lift Straight Front Glass with std. gravity & serpentine coils	13.5 • 20.3 • 27.0 • 40.5
TLM (Pedestals)	6' • 8' • 12'	Lift Straight Front Glass with std. gravity & serpentine coils	20.3 • 27.0 • 40.5

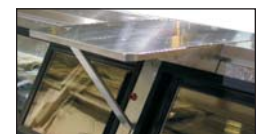
Pedestal Base



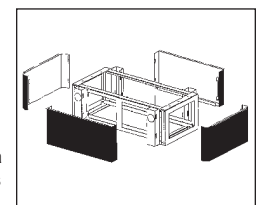
Optional Accessories



Windowed patch ends provide additional peripheral visibility of products.



Scale shelves add more functionality to the work area.



Pedestal bases provide a stylish option for TL series service merchandisers.

Specialty