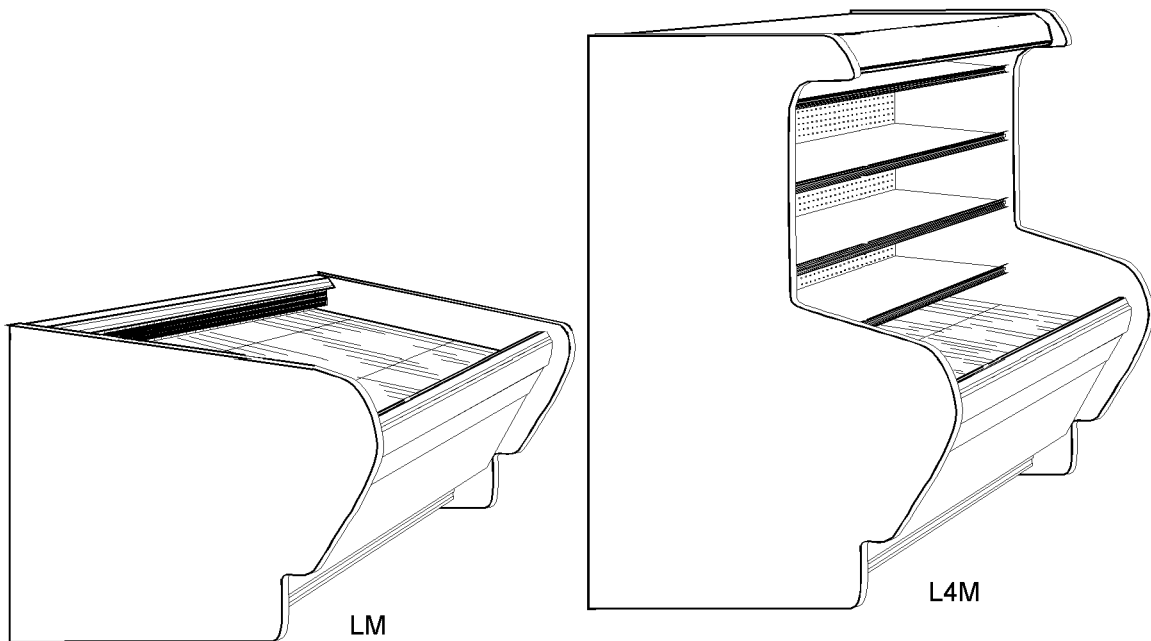


TYLER

series
Advantage



Installation & Service Manual



LM, LMG, L4M, L4MG

TOP DISPLAY MEAT & MULTI-SHELF MEAT/DELI MERCHANDISERS Medium Temperature Self Serve Display Cases

This manual has been designed to be used in conjunction with the General
Installation & Service Manual.

Save the Instructions in Both Manuals for Future Reference!!

This merchandiser conforms to the Commercial Refrigeration Manufacturers Association Health and Sanitation standard CRS-S1-96.

PRINTED IN U.S.A.	Specifications subject to change without notice.	REPLACES EDITION	1/97	ISSUE DATE	7/99	PART NO.	9027527	REV.	B
-------------------	--	------------------	------	------------	------	----------	---------	------	---

CONTENTS

	<u>Page</u>
Specifications	
LM(G) and L4M(G) Specification Sheets	4
Line Sizing Requirements	(See General I&S Manual)
Pre-Installation Responsibilities	(See General I&S Manual)
Installation Procedures	
Carpentry Procedures	9
Case Pull-Up Locations	9
Superstructure Installation (LM(G) only)	9
Plumbing Procedures	(See General I&S Manual)
Refrigeration Procedures	(See General I&S Manual)
Self-Contained Case Information (LM(G) only)	11
Electrical Procedures	12
Electrical Considerations	12
Defrost Information	13
Defrost Control Chart	13
Installation Procedure Check Lists	(See General I&S Manual)
Wiring Diagrams	
LM(G) Domestic & Export (50Hz) Case Circuits	14
L4M(G) Domestic & Export (50Hz) Case Circuits	16
Electric Defrost Circuit	20
Optional Gas Defrost Circuit	20
Optional Air Defrost and Air Defrost Control Circuits (L4M only) ..	21
Optional Superstructure Lighting Circuit (L4M(G) only)	22
Cleaning and Sanitation	(See General I&S Manual)
General Information	
Mirror Installation (L4M(G) only)	23
Radiant Heat Information	23
Display Practices	23

	<u>Page</u>
Service Instructions	
Preventive Maintenance (See General I&S Manual)	
Troubleshooting Self-Contained Units	24
Light Servicing	25
Ballast and Lighting Locations	25
Defrost Heater Replacement	25
Fan Blade and Motor Replacement (See General I&S Manual)	
Color Band and Bumper Replacement (See General I&S Manual)	
Anti-Sweat Replacement	26
Front Glass Replacement	26
Parts Information	
Operational Parts List	27
Cladding and Trim Parts List	28
TYLER Warranty (See General I&S Manual)	

The following Medium Temperature, Top Display Meat and Multi-Shelf Meat and Deli Merchandiser models are covered in this manual:

MODEL	DESCRIPTION
LM	6', 8' & 12' TOP DISPLAY MEAT MERCHANDISER
LMG	6', 8' & 12' GLASS FRONT TOP DISPLAY MEAT MERCHANDISER
L4M	8' & 12' MULTI-SHELF MEAT/DELI MERCHANDISER
L4MG	8' & 12' GLASS FRONT MULTI-SHELF MEAT/DELI MERCHANDISER

SPECIFICATIONS

LM and LMG Top Display Meat Merchandiser Specification Sheets

MODEL	LM	LMG
USAGE	MEAT	MEAT
BTUH/FT	475	425
SUCTION°	+15F	+15F
ENTER AIR°	+24F	+24F

THE ABOVE RATINGS ARE FOR COMPRESSOR SELECTION ONLY. FOR ENERGY CALCULATION DATA REFER TO THE ENERGY SECTION.

NOTE: FOR COMPRESSOR SIZING INFORMATION REFER TO THE "GOLD" SECTION & FOR LINE SIZING INFORMATION REFER TO THE "BUFF" SECTION OF THE TYLER SPECIFICATION GUIDE.

208 VOLT DEFROST (AMPS)														
FT	8	12	16	20	24	28	32	36	40	44	48	52	56	60
MEAT 1 PH	6.9 TG-30	10.3 TG-30	13.8 TG-30	17.2 TG-30	20.6 TG-30	24.1 TG-40	27.5 TG-40	30.9 TG-40	34.3 TG-50	37.8 TG-50	41.2 TG-50	44.6 TG-50	N/A	N/A
MEAT 3 PH	N/A	N/A	12.0 TG-3-30	15.0 TG-3-30	18.0 TG-3-30	15.0 TG-3-30	18.0 TG-3-30	18.0 TG-3-30	21.0 TG-3-30	25.0 TG-3-40	28.0 TG-3-40	30.0 TG-3-40	33.0 TG-3-50	36.0 TG-3-50
CASE-TO-CASE SUCTION LINE SUB-FEED BRANCH LINE SIZING														
R22 MEAT OPEN	1/2"	1/2"	5/8"	5/8"	5/8"	7/8"	7/8"	7/8"	7/8"	7/8"	7/8"	7/8"	7/8"	7/8"
R22 MEAT GLASS	1/2"	1/2"	5/8"	5/8"	5/8"	7/8"	7/8"	7/8"	7/8"	7/8"	7/8"	7/8"	7/8"	7/8"

DEFROST CONTROL						EPR SETTINGS	
PER DAY	MODE	TIME	TERM.	CUT IN	CUT OUT	R22	R404A
2	TIME OFF	60 MIN.	---	45-47# @ R22	32-34# @ R22	37#	---
2	ELECTRIC	36 MIN.	50F				
4	HOT GAS	12-15 MIN.	55F	58-60# @ R404A	42-44# @ R404A	---	48#

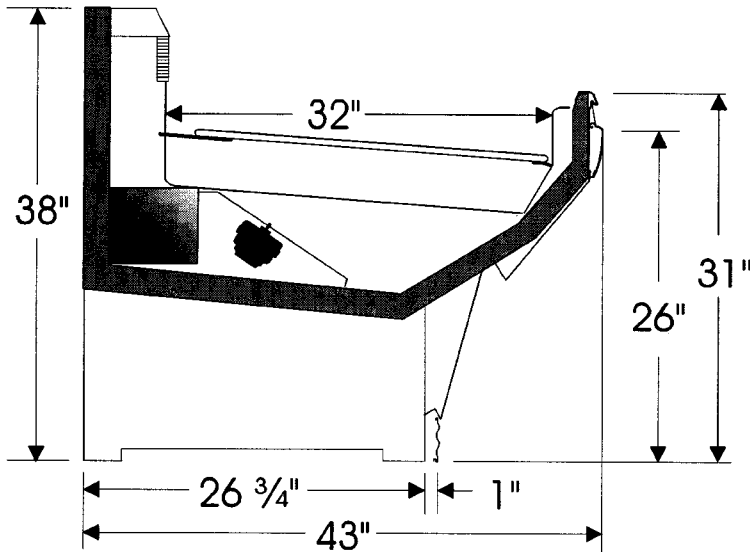
DEFROST CIRCUITS: OFF CYCLE defrost is standard (use TC defrost module) - **OPTIONAL ELECTRIC** defrost uses a single or 3 phase circuit - **OPTIONAL HOT GAS** defrost uses 2 control wires @208v per lineup - **OPTIONAL AIR DEFROST** (use DF-AD defrost module) requires 3 control wire @208v per lineup.

CASE BTUH REQUIREMENTS are calculated to produce approximately the indicated entering air temperature with absolute maximum operating ambient limits of 75F & 55RH.

AIR DEFROST is not available for LMG cases.

The information contained herein is based on technical data and tests which we believe to be reliable and is intended for use by persons having technical skill, at their own discretion and risk. Since conditions of use are outside Tyler's control, we can assume no liability for results obtained or damages incurred through the applications of the data presented. SPECIFICATIONS ARE SUBJECT TO CHANGE WITHOUT NOTICE.

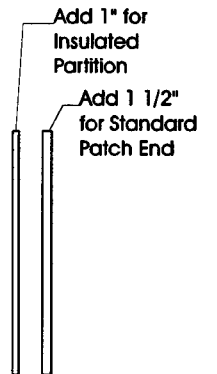
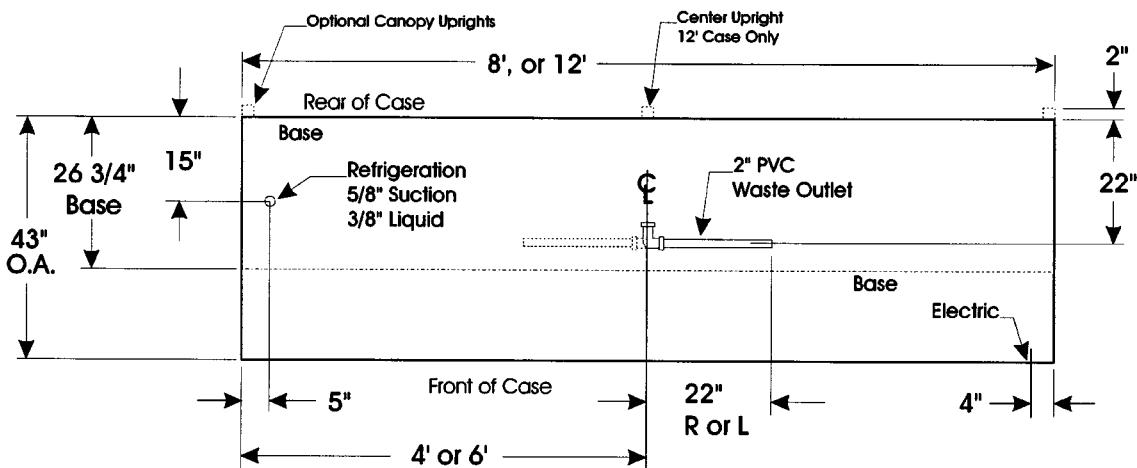
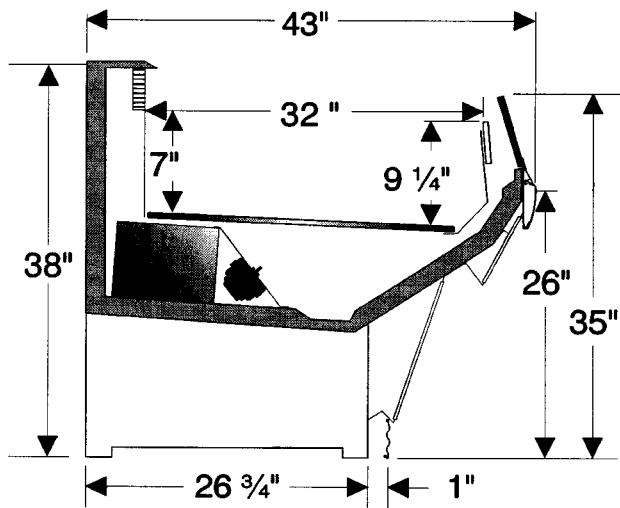
LM and LMG Top Display Meat Merchandisers



120 VOLT ELECTRICAL DATA (AMPS)			
FT	STD. FANS	ECM FANS	ANTI-SWT
LM 8	1.0	.4	.3
LM 12	1.5	.6	.4
LMG 8	1.0	.4	.6
LMG 12	1.5	.6	1.0

LM CROSS SECTION

LMG CROSS SECTION



L4M and L4MG Multi-Shelf Meat/Deli Merchandiser Specification Sheets

MODEL	L4M	L4M	L4MG	L4MG
USAGE	DELI	MEAT	DELI	MEAT
BTUH/FT	1310	1379	1310	1379
SUCTION°	+17F	+15F	+17F	+15F
ENTER AIR°	+29F	+27F	+29F	+27F

THE ABOVE RATINGS ARE FOR COMPRESSOR SELECTION ONLY. FOR ENERGY CALCULATION DATA REFER TO THE ENERGY SECTION.

NOTE: FOR COMPRESSOR SIZING INFORMATION REFER TO THE "GOLD" SECTION & FOR LINE SIZING INFORMATION REFER TO THE "BUFF" SECTION OF THE TYLER SPECIFICATION GUIDE.

208 VOLT DEFROST (AMPS)											
FT	8	12	16	20	24	28	32	36	40	44	48
DELI/ MEAT 1 PH	6.9 TG-30	10.3 TG-30	13.9 TG-30	17.2 TG-30	20.6 TG-30	24.1 TG-40	27.5 TG-40	30.9 TG-40	34.4 TG-50	37.8 TG-50	41.2 TG-50
DELI/ MEAT 3 PH	N/A	N/A	12.0 TG-3 -30	15.0 TG-3 -30	18.0 TG-3 -30	15.0 TG-3 -30	18.0 TG-3 -30	18.0 TG-3 -30	21.0 TG-3 -30	25.0 TG-3 -40	28.0 TG-3 -40
CASE-TO-CASE SUCTION LINE SUB-FEED BRANCH LINE SIZING											
R22 DELI	5/8"	7/8"	7/8"	7/8"	1 1/8"	1 1/8"	1 1/8"	1 1/8"	1 1/8"	1 3/8"	1 3/8"
R22 MEAT	5/8"	7/8"	7/8"	7/8"	1 1/8"	1 1/8"	1 1/8"	1 1/8"	1 1/8"	1 3/8"	1 3/8"

DEFROST CONTROL				PRESSURE SETTINGS			EPR SETTINGS	
PER DAY	MODE	TIME	TERM.		CUT IN	CUT OUT	R22	R404A
4	ELECT	36 MIN.	50F	DELI	58-60# @ R22	32-35# @ R22	43#	---
4	TIME OFF	46 MIN.		MEAT	52-56# @ R22	26-29# @ R22	37#	---
4	HOT GAS	12-15 MIN.	55F	DELI	72-75# @ R404A	42-46# @ R404A	---	55#
4	AIR DEFROST (L4M ONLY)	40 MIN.	50F	MEAT	66-70# @ R404A	35-39# @ R404A	---	48#

CASE CIRCUITS: This case requires a separate 120v circuit for fans, lights, anti-sweats, and a 208v circuit for Electric Defrost (if used).

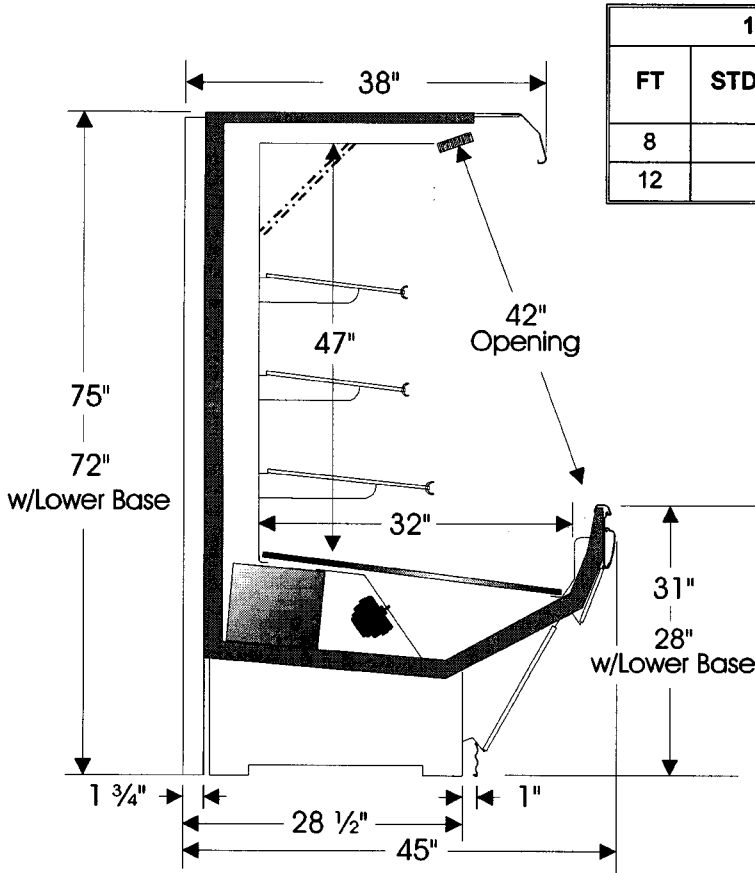
CASE BTUH REQUIREMENTS are calculated to produce approximately the indicated entering air temperature with absolute maximum operating ambient limits of **75F & 55RH**.

Screens are standard. Shelving must be ordered separately. A two-shelf arrangement includes (1) 15" shelf on top and (1) 18" shelf on bottom. A three-shelf arrangement includes (1) 15" shelf on top, (1) 15" shelf in the middle and (1) 18" shelf on the bottom. Lights on shelves are optional, but not recommended because the added heat shortens shelf life of meat and increases operating costs.

When mirrors are used, only 12" or 16" wide mirrors are allowed. **NOTE:** 1 or 2 rows of discharge holes must be left open between the top shelf and bottom of mirror.

The information contained herein is based on technical data and tests which we believe to be reliable and is intended for use by persons having technical skill, at their own discretion and risk. Since conditions of use are outside Tyler's' control, we can assume no liability for results obtained or damages incurred through the applications of the data presented. SPECIFICATIONS ARE SUBJECT TO CHANGE WITHOUT NOTICE.

L4M Multi-Shelf Meat/Deli Merchandiser



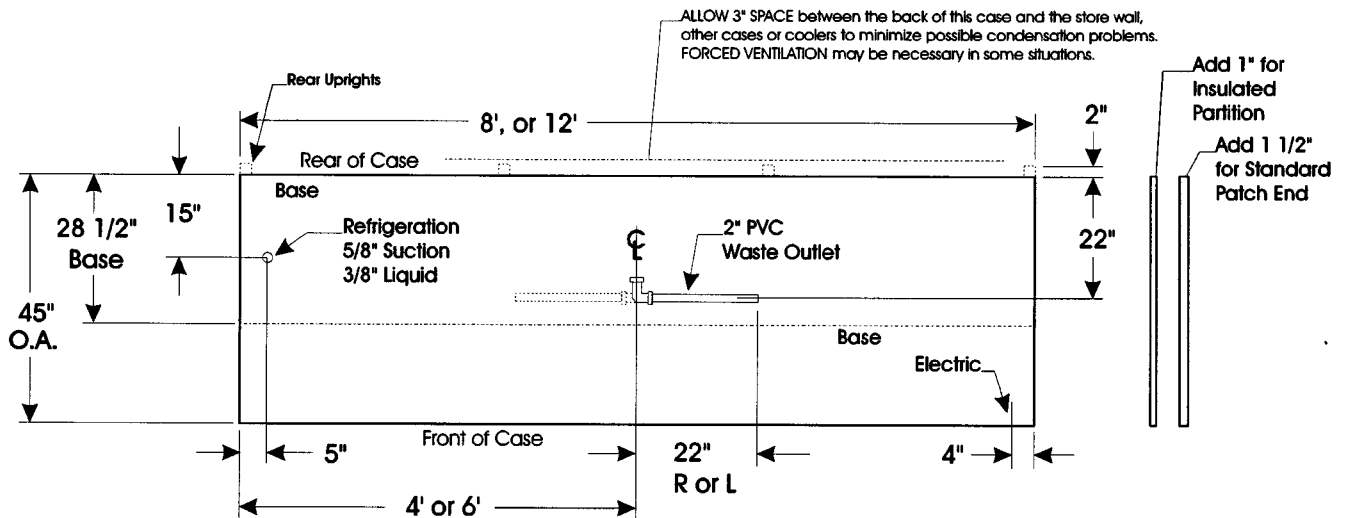
120 VOLT ELECTRICAL DATA (AMPS)				
FT	STD. FANS	ECM FANS	ANTI-SWEATS*	
			DISC./AIR	GLASS**
8	1.2	.6	.3	.3
12	1.8	.9	.5	.5

120 VOLT LIGHTING (AMPS) T-8/ ELECTRONIC BALLASTS (CANOPY)*		
FT	STANDARD LIGHTING 1 ROW	OPTIONAL LIGHTING 2 ROW
8	.6	1.1
12	.9	1.8

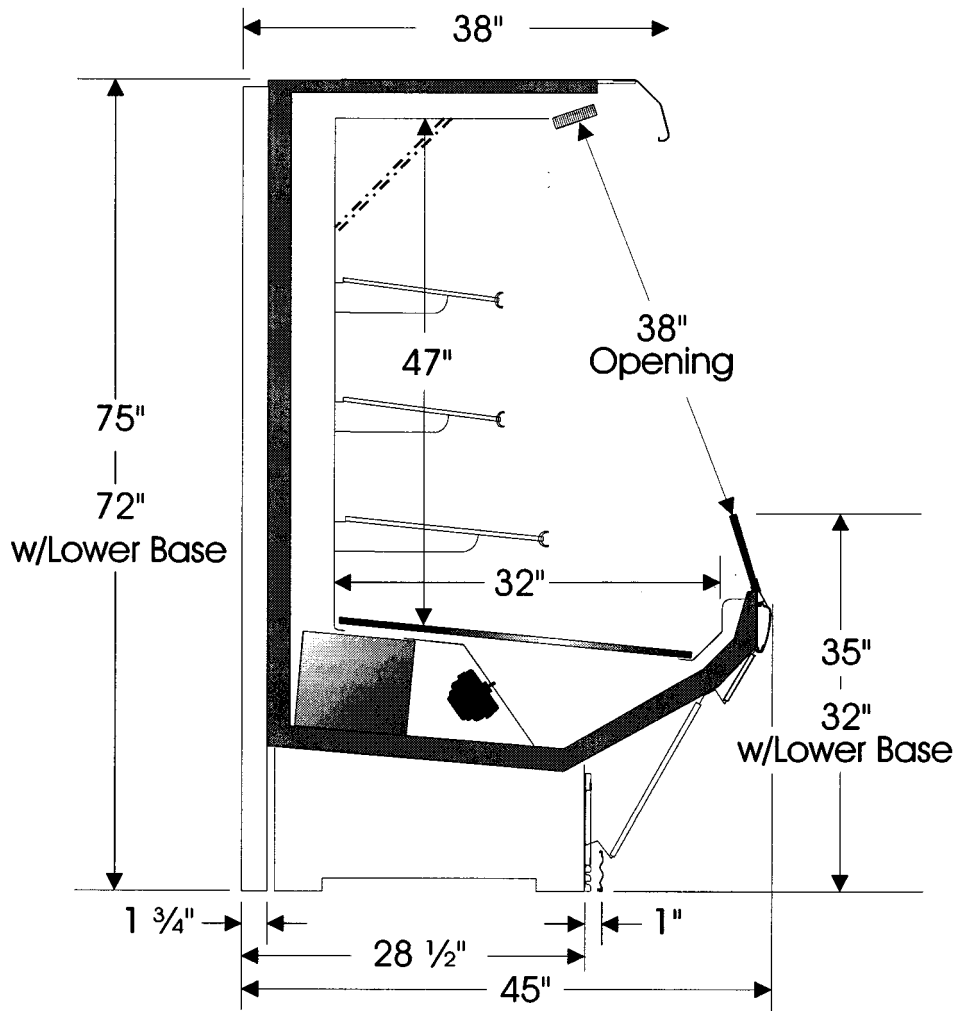
OPTIONAL 115 VOLT LIGHTING (AMPS) T-8/ ELECTRONIC BALLASTS (SHELVES)		
ROWS	8'	12'
1	.9	1.3
2	1.4	2.1
3	1.8	2.6

* Discharge air anti-sweat heater and canopy lighting on same circuit.
 ** L4MG glass anti-sweat heater on separate circuit.

L4M/L4MG CROSS SECTION AND FLOOR PLAN



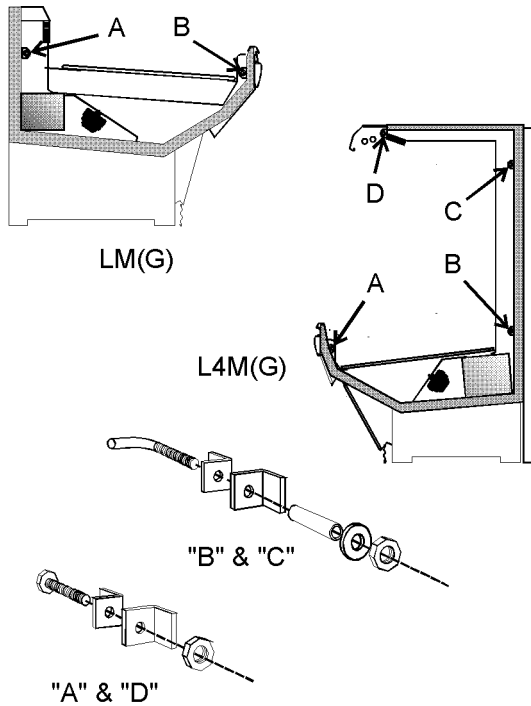
L4MG Multi-Shelf Meat/Deli Merchandiser



INSTALLATION PROCEDURES

Carpentry Procedures

Case Pull-Up Locations



The LM(G) models have two pull-ups at each end of the case. The L4M(G) models have four pull-ups at each end of the case. Pull-ups A and B or A, B, C and D are located as shown and should be installed and tightened starting with A and finishing with B or D.

See "General I&S Manual" for line-up assembly instructions.

NOTE

If a LM or LMG case requires a canopy that is not pre-installed, see "Superstructure Installation" section in this manual before joining the cases.

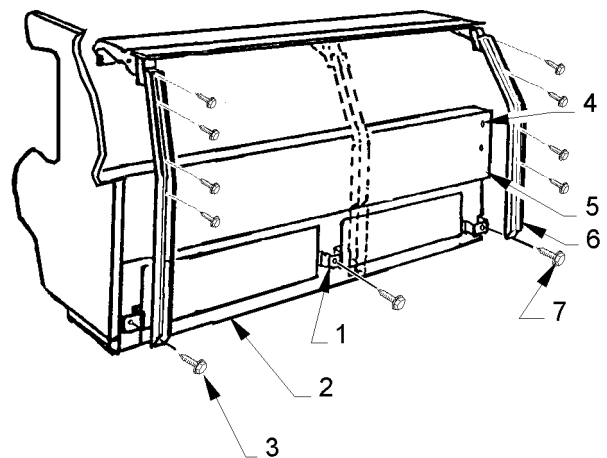
Superstructure Installation (LM(G) Only)

When superstructure options are shipped loose, use the following instructions to cover the field installation of these options.

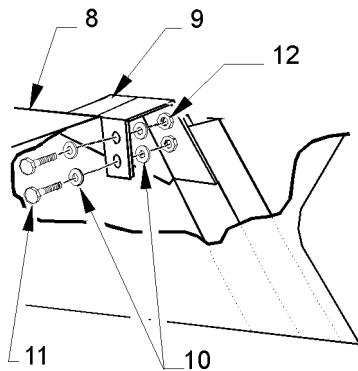
Optional D-Canopy Installation

NOTE

Superstructure mounting hardware is provided for every 4 foot of case. 8' and 12' cases require two or three uprights respectively.



1. Install upright supports (1) to the back base (2) with self tapping screws (3). Pre-drilled holes have been supplied for this purpose.
2. Using a 13/64" drill bit, pilot drill all upright mounting holes (4) on the back of the case (5).
3. Install uprights (6) to back of case (5) and upright supports (1) with self tapping screws (7).

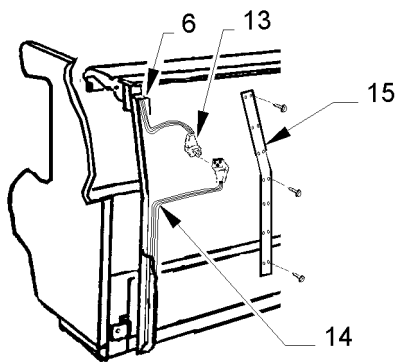


4. Position canopy (8) on upright brackets (9) with washers (10), bolts (11) and nuts (12). Do not tighten mounting hardware.

NOTE

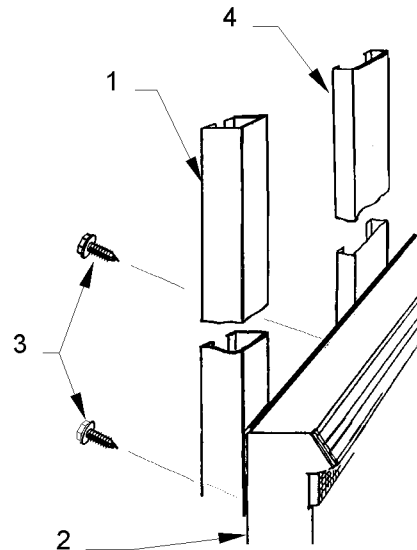
Slots in upright brackets provide vertical canopy adjustment. Additional vertical adjustment can be achieved with shims.

5. Adjust and level canopy (8) on upright brackets (9) and secure by tightening nuts (12) and bolts (11).

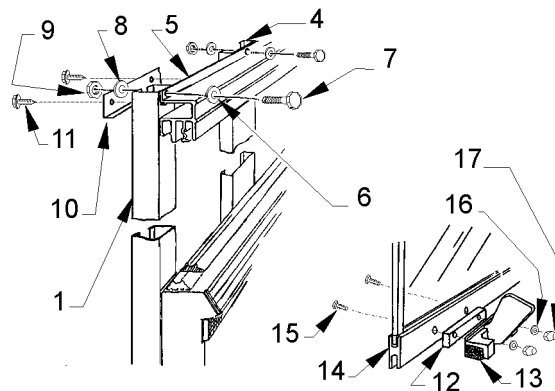


6. Connect the canopy light wiring (13) to the case outlet (14).
7. Position the canopy light wiring (13) in the upright (6) and install the upright electrical cover (15).

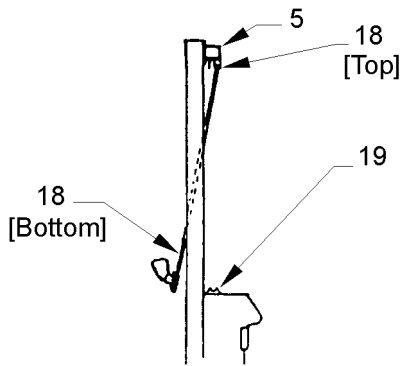
Vertical Sliding Glass/Mirror Doors



1. Install two 3" uprights (1) to back outside edges of case (2) with self tapping cap screws (3).
2. For 12' cases, install 6" center upright (4) to back of case (2) with self tapping cap screws (3).



3. Position top door track moulding (5), washers (6) and bolts (7) in top slots of uprights (1 and 4) with lockwashers (8) and nuts (9). Do not tighten.
4. Install raceway cover (10) on top door track moulding (5) with self tapping screws (11).
5. Install spacers (12) and door handles (13) on bottom door trim (14) with screws (15), washers (16) and nuts (17).



6. Insert top of door (18) in top door track moulding (5). Lift door (18) up while pushing bottom in to insert bottom of door (18) in bottom door track (19).

NOTE

When top door track moulding is adjusted properly, the outer door can be removed but cannot jump out of the door track during use.

7. Adjust the top door track moulding (5) to 35 1/2" off the top of the case (2). Tighten the top door moulding mounting bolts (7) and nuts (9).



8. Install end trim (20) on top and bottom door track mouldings (5 and 19) with screws (21).

Refrigeration Procedures

Refrigeration system and superheat instructions can be found in the "General I&S Manual". If the unit is self-contained, see the following instructions.

Self-Contained Case Information (LM(G) Only)

The pressure control is located in the control box next to the compressor in the base of the case. The pressure control is a regulating device for the compressor. It is factory set to cycle the compressor to achieve an entering air temperature of 23-25°F. The control may be adjusted by resetting the cut in and out pressures indicated on the scales of the pressure control. See specification sheets in this manual for pressure control settings.

Self-contained cases do not require any external defrost controls. A time clock will stop the condensing unit during the time defrost is required. See specification sheets in this manual for defrost settings.

The hermetic type compressor is located in the base of the case. It has the motor and compressor assembly sealed within a dome shaped housing. This unit should not require any field servicing. If it fails to operate properly, check the self-contained unit troubleshooting chart in this manual or contact a qualified service technician.

The optional dissipator will be located in the base of the case near the compressor. This pan is used to evaporate water produced when defrosting the coil. It is not designed to handle any large amounts of water (Max. Cap.: 10 qt).

The condenser is a tube and fin type heat exchanger. It is used to condense the hot refrigerant gases back to liquid. This is accomplished by forcing air circulation through the condenser coil. The air is provided by a motor and fan located at the rear of the condenser. **Keep the condenser fins free from dust and dirt to ensure proper system operation.**

Electrical Procedures

Electrical Considerations

CAUTION

Make sure all electrical connections at components and terminal blocks are tight. This prevents burning of electrical terminals and/or premature component failure.

NOTE

The raceway houses the electrical wiring, components and terminal blocks for the case. Remove the lower front cladding to access the raceway.

Case Fan Circuit

This circuit is to be supplied by an uninterrupted, protected 120V circuit. The case fan circuit is not cycled, except when equipped for gas defrost. On gas defrost cases the fan circuit is controlled by a 50/30 klixon.

NOTE

With gas defrost, the fans will not start until the coil temperature reaches 30°F at the fan delay thermostat.

Fluorescent Lamp Circuit

L4M(G) case lighting is supplied by T-8 electronic ballast lights. It is controlled by a light switch in each case. The standard lighting is 1-row of horizontal canopy lights. Case lighting options include 2-row of horizontal canopy lights and up to 3 rows of shelf lights.

LM(G) optional canopy lighting is supplied by a single row of T-8 electronic ballast lights. It is controlled by a light switch in each canopy light fixture.

Anti-Sweat Circuit

All cases have at least one anti-sweat heater. LM case has a rear riser anti-sweat heater. L4M case has one in the discharge grid. LMG and L4MG cases have an additional anti-sweat heater for the front glass. L4M(G) discharge grid anti-sweat heater is wired into the light circuit. All other anti-sweat heaters are wired directly to the main power supply so they can operate at all times.

Self-Contained Circuit

LM and LM(G) cases are available in self-contained units. Information pertaining to self-contained units should be obtained directly from TYLER Refrigeration.

Defrost Information

See "General I&S Manual" for operational descriptions for each type of defrost control.

Defrost Control Chart

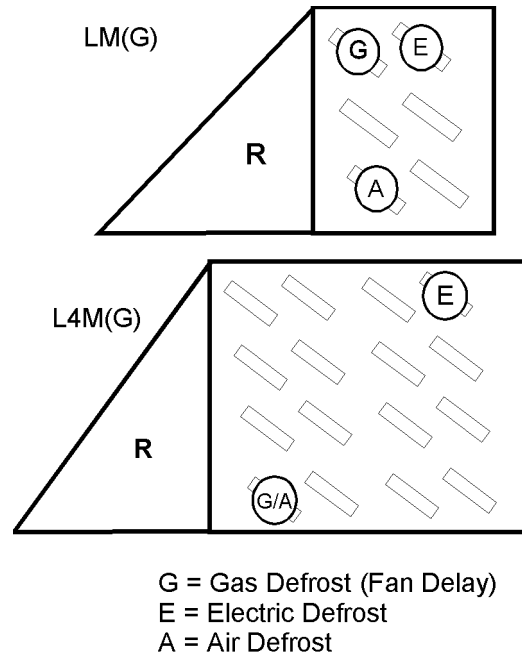
LM(G) Defrost Option Settings

Defrost Type	Defrosts Per Day	Defrost Duration (Min)	Term. Temp.
Off Time	2	60	-----
Electric	2	36	50°F
Gas	4	12-15	55°F

L4M(G) Defrost Option Settings

Defrost Type	Defrosts Per Day	Defrost Duration (Min)	Term. Temp.
Off Time	4	46	-----
Electric	4	36	50°F
Gas	4	12-15	55°F
Air	4	40	50°F

All klixons are located on the right end of the evaporator coil. The diagram shows the location for each defrost type that uses a klixon.



NOTE

The termination thermostat for gas defrost is located on the bypass check valve.

CAUTION

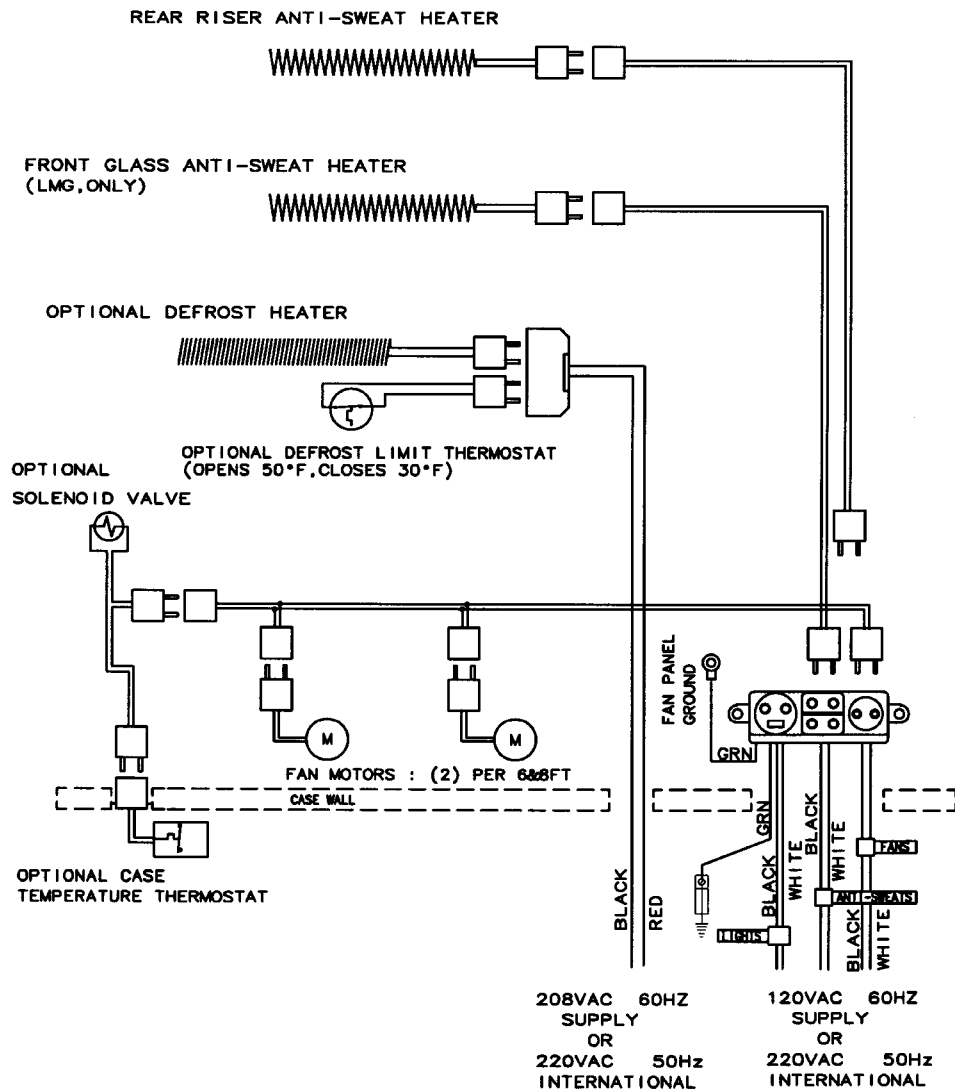
If electronic sensors are used in place of the klixons, the sensors must be located in the same location as the klixons for that defrost type. Any other locations will effect the refrigeration efficiency of the case.

WIRING DIAGRAMS

ELECTRICIAN NOTE - OVERCURRENT PROTECTION

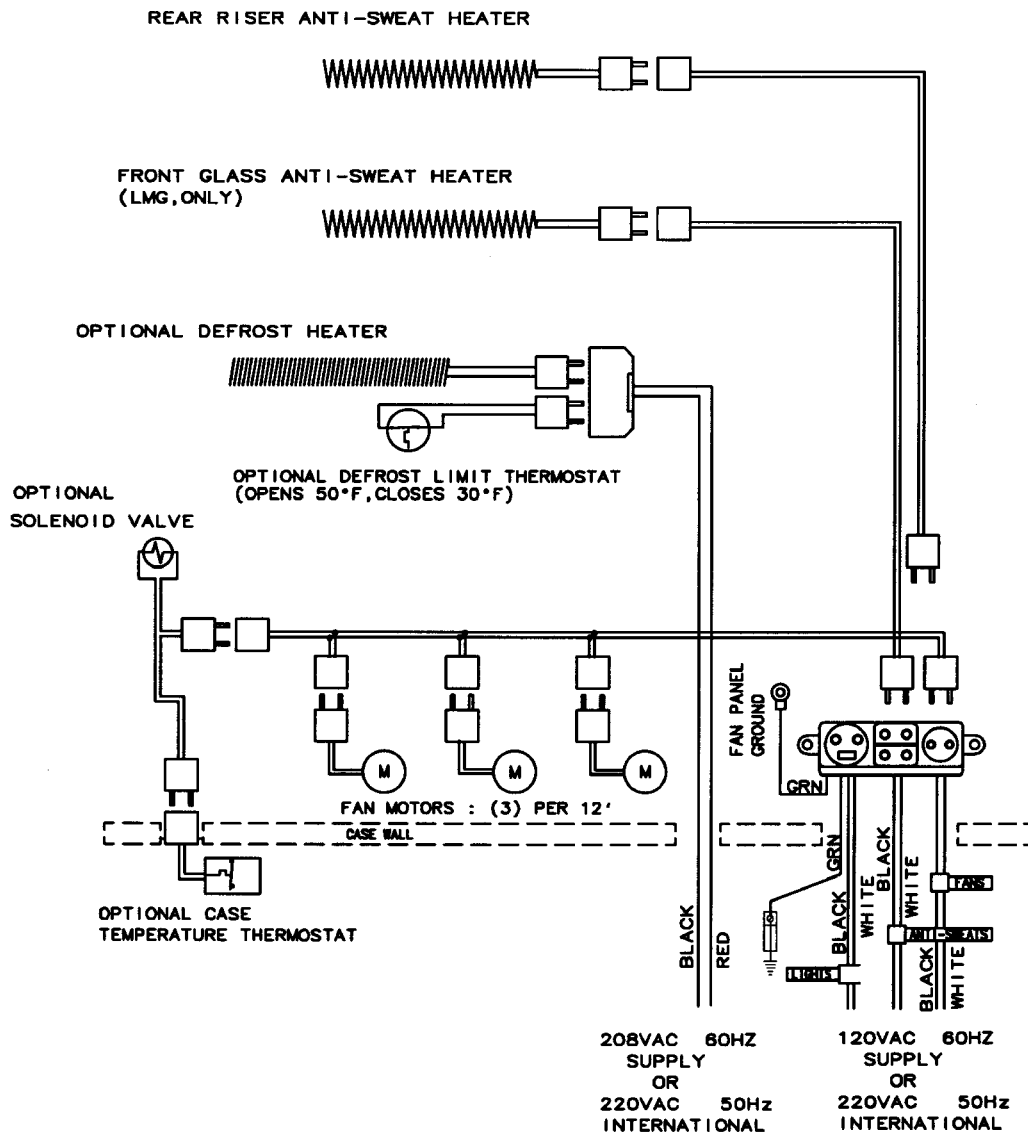
120V circuits should be protected by 15 or 20 Amp devices per the requirements noted on the cabinet name-plate or the National Electrical Code, Canadian Electrical Code - Part 1, Section 28. 208V defrost circuits employ No. 12 AWG field wire leads for field connections. On remote cases intended for end to end line-ups, bonding for ground may rely upon the pull-up bolts.

LM(G) Domestic & Export (50Hz) Case Circuits (6' & 8' Cases)



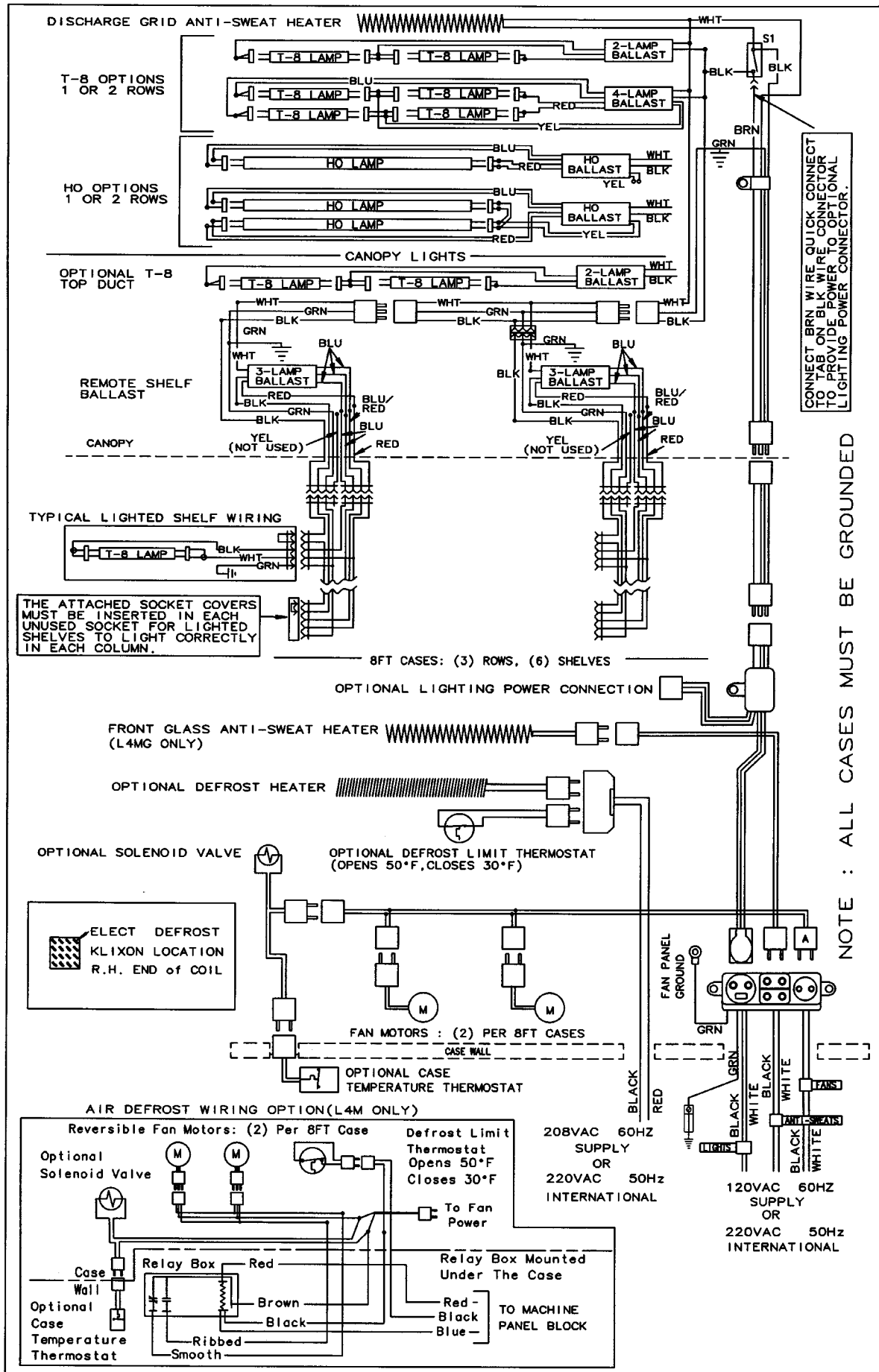
NOTE : ALL CASES MUST BE GROUNDED

LM(G) Domestic & Export (50Hz) Case Circuits (12' Cases)

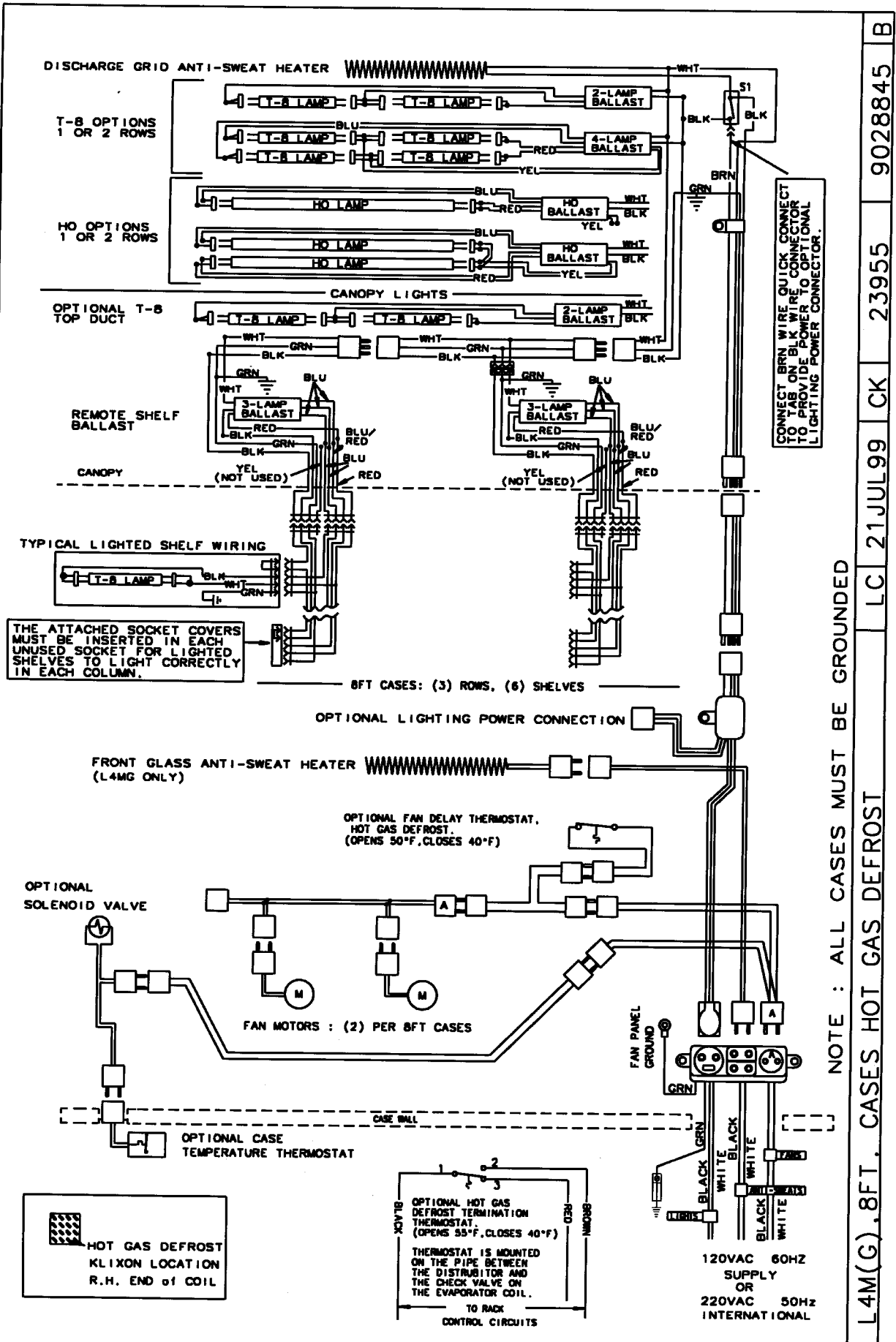


NOTE : ALL CASES MUST BE GROUNDED

L4M(G) Domestic & Export (50Hz) Case Circuits (8' Cases)



L4M(G) 8FT. CASES, OFF-CYCLE OR ELECT DEFROST LC 20JAN97 CK N 97-002 9026096 C



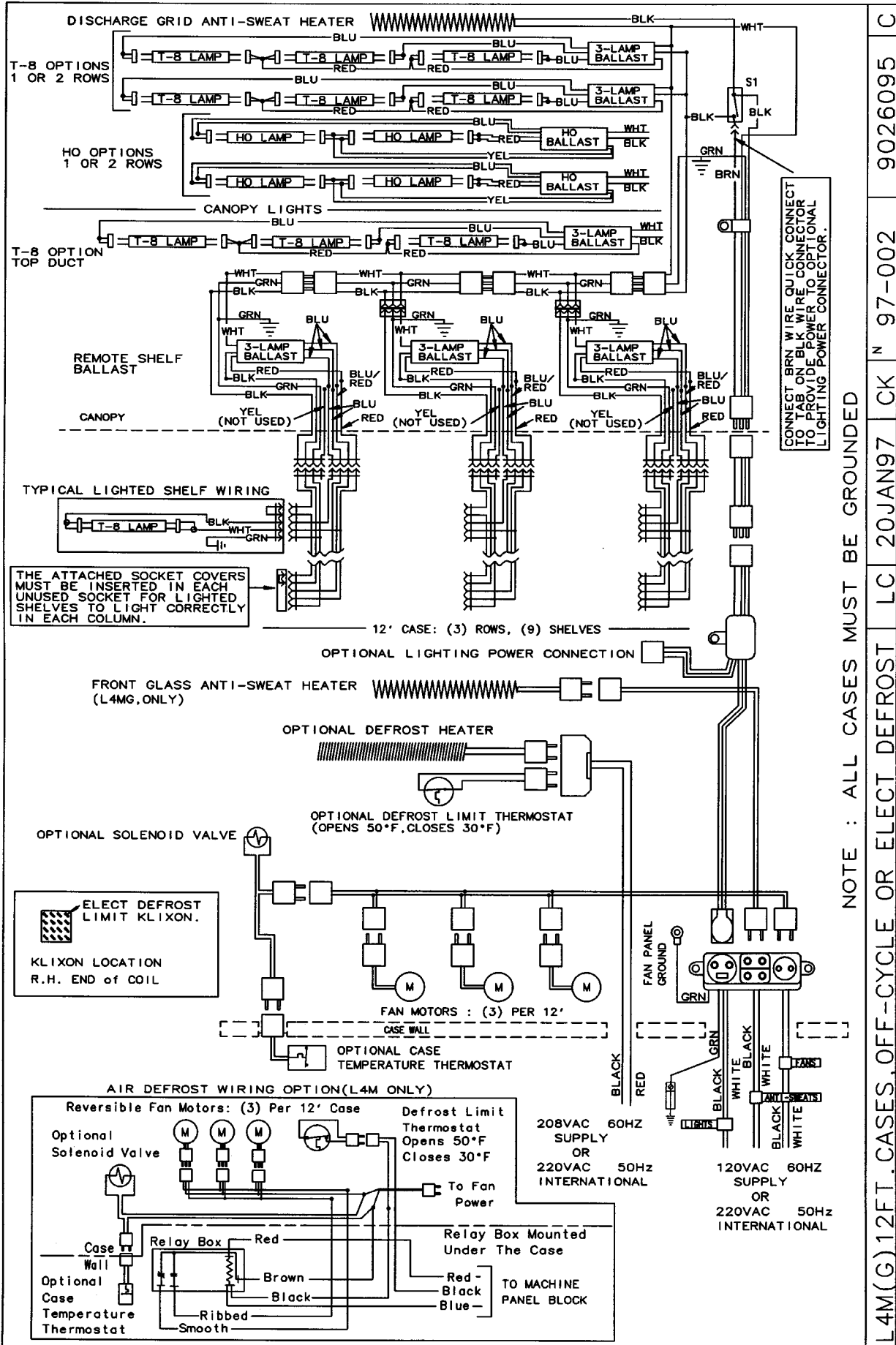
9028845 B

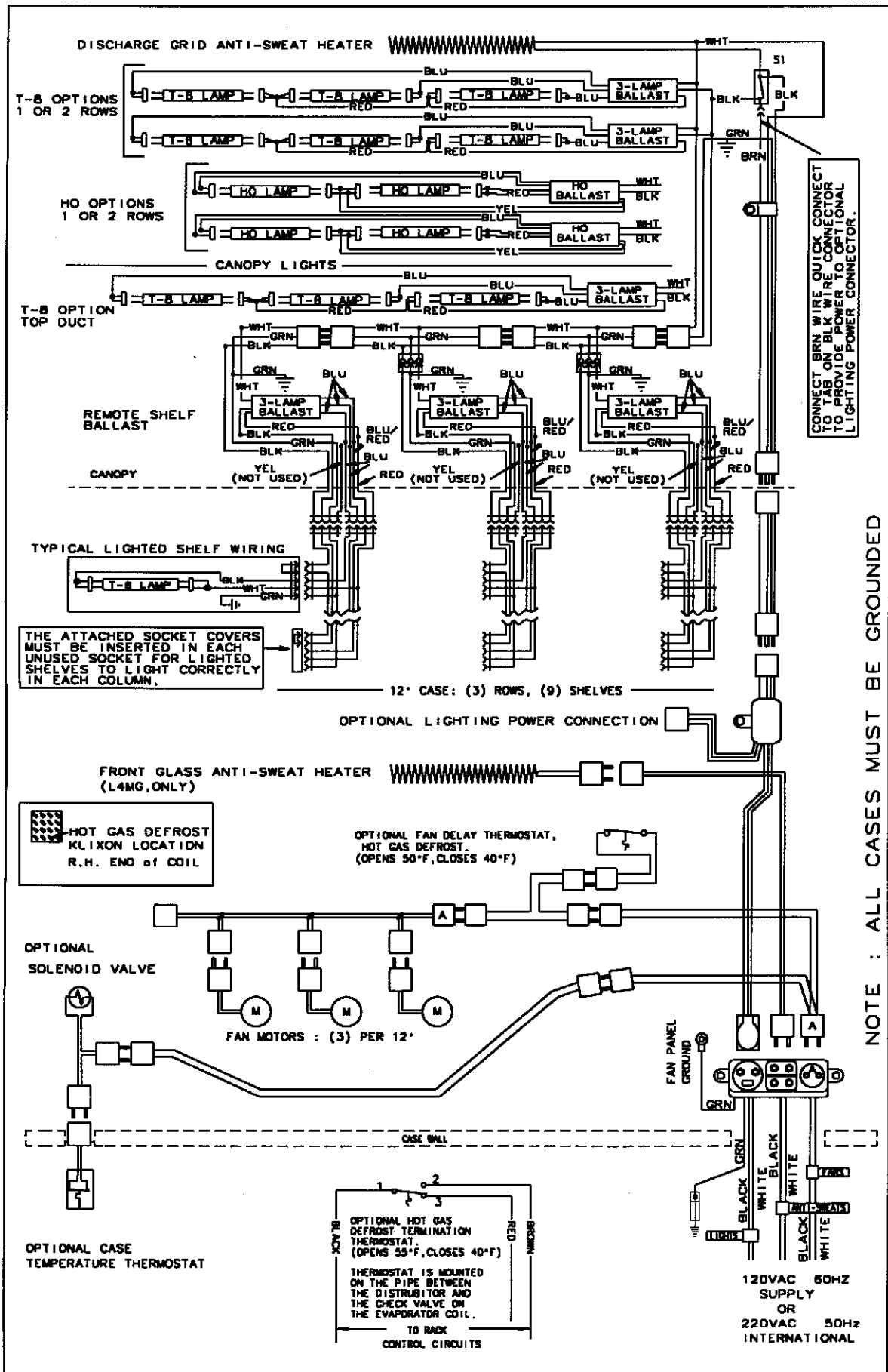
23955

LC 21JUL99 CK

L4M(G).8FT. CASES HOT GAS DEFROST

L4M(G) Domestic & Export (50Hz) Case Circuits (12' Cases)

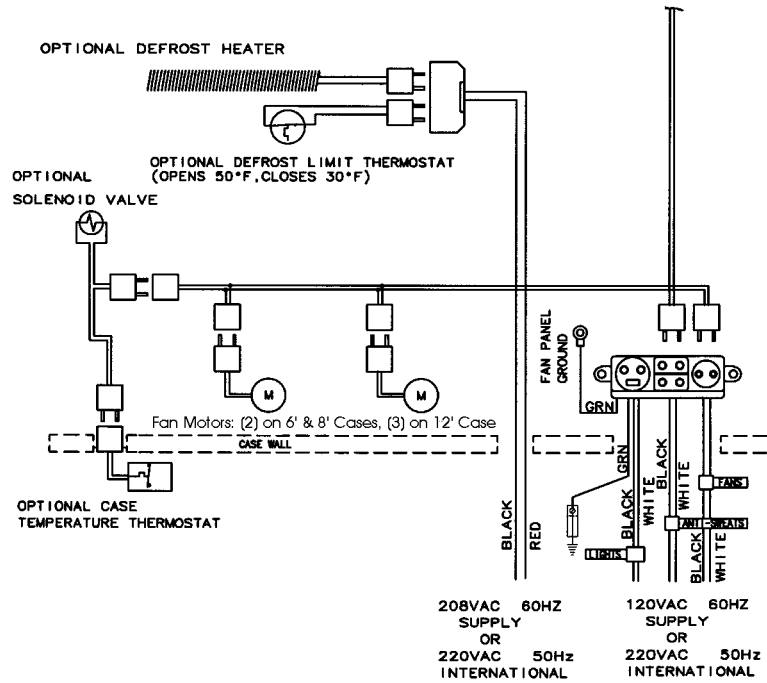




NOTE : ALL CASES MUST BE GROUNDED

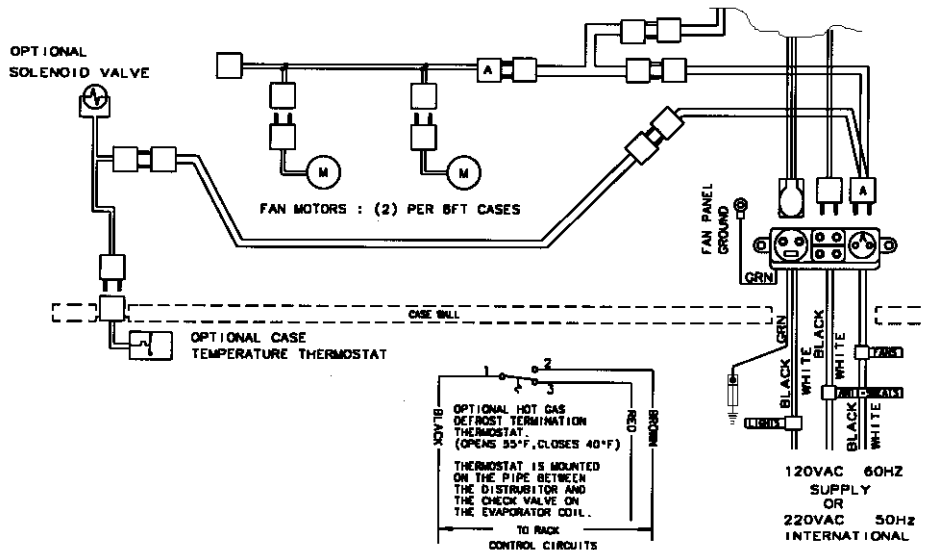
L4M(G), 12 FT. CASES HOT GAS DEFROST LC 21JUL99 CK 23955 9028844 B

Electric Defrost Circuit



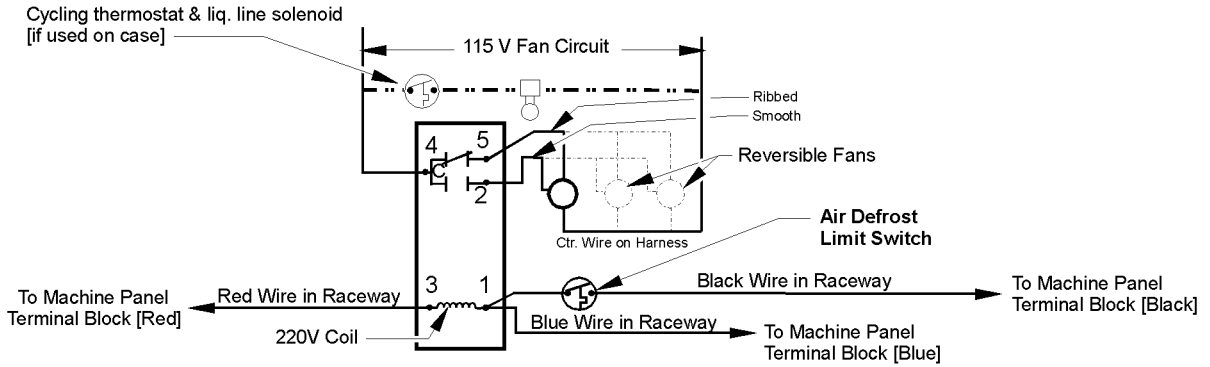
NOTE : ALL CASES MUST BE GROUND

Optional Gas Defrost Circuit

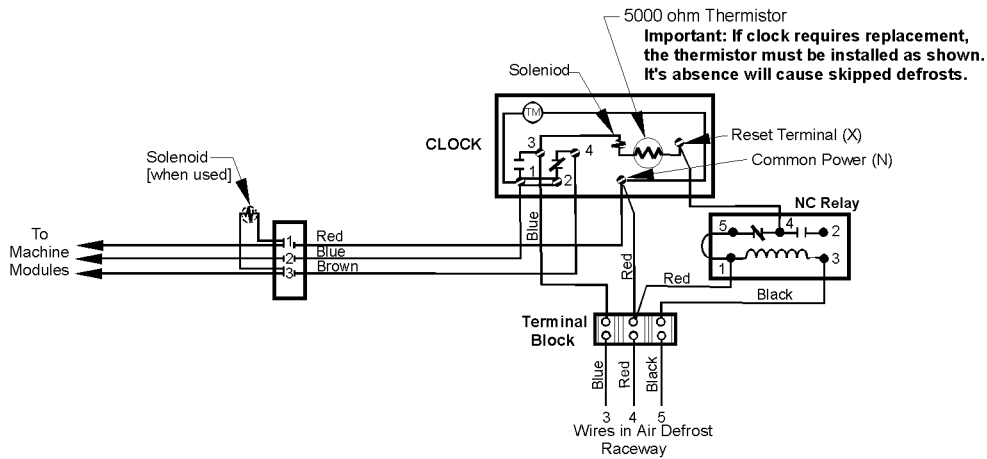


NOTE : ALL CASES MUST BE GROUND

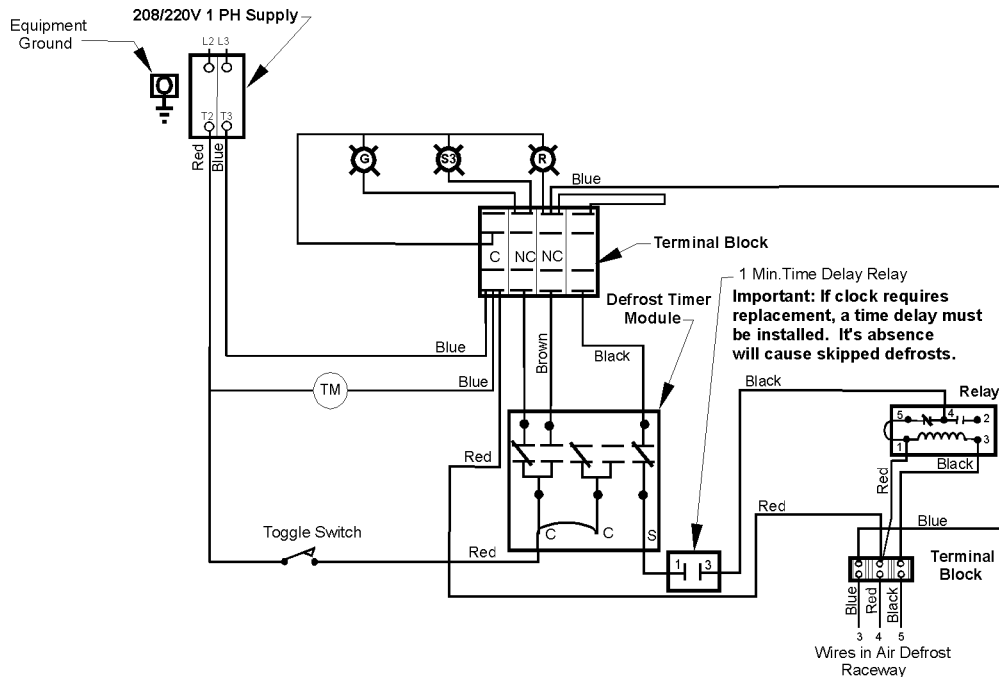
Optional Air Defrost and Air Defrost Control Circuits (L4M Only)



Schematic Wiring Diagram

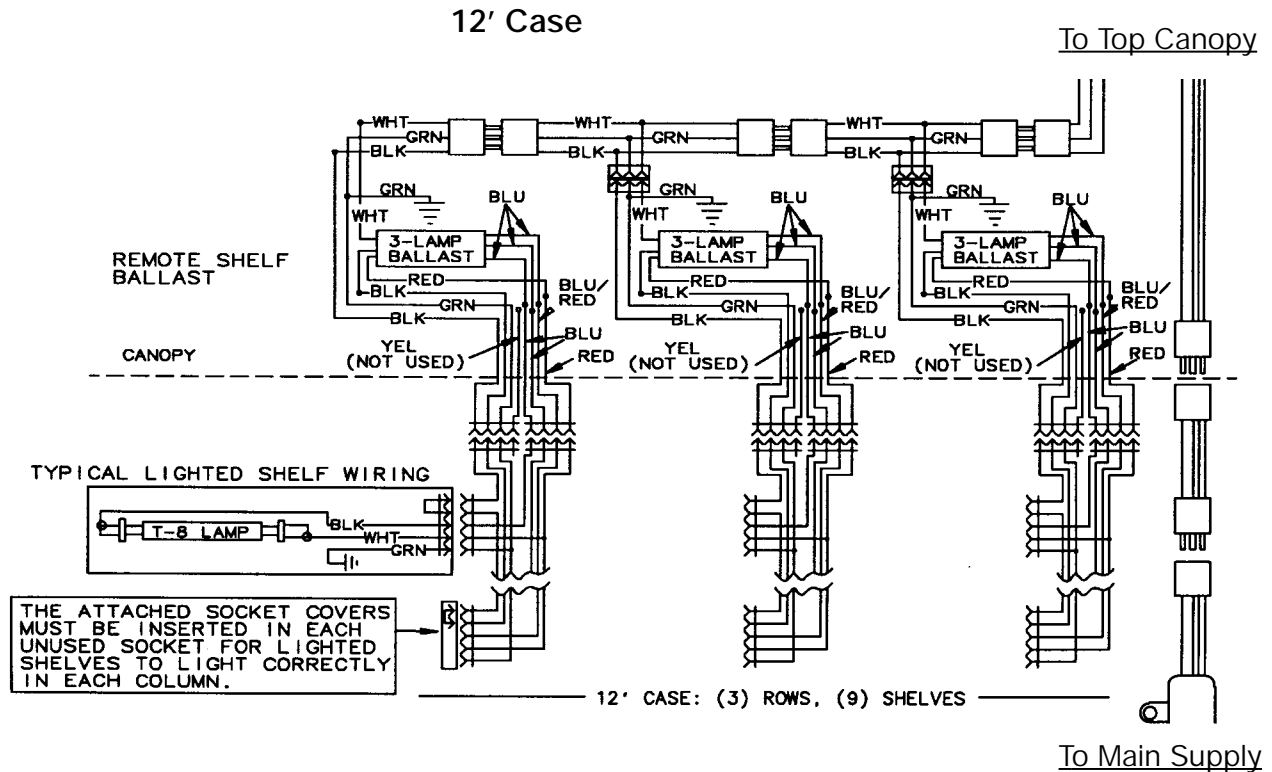
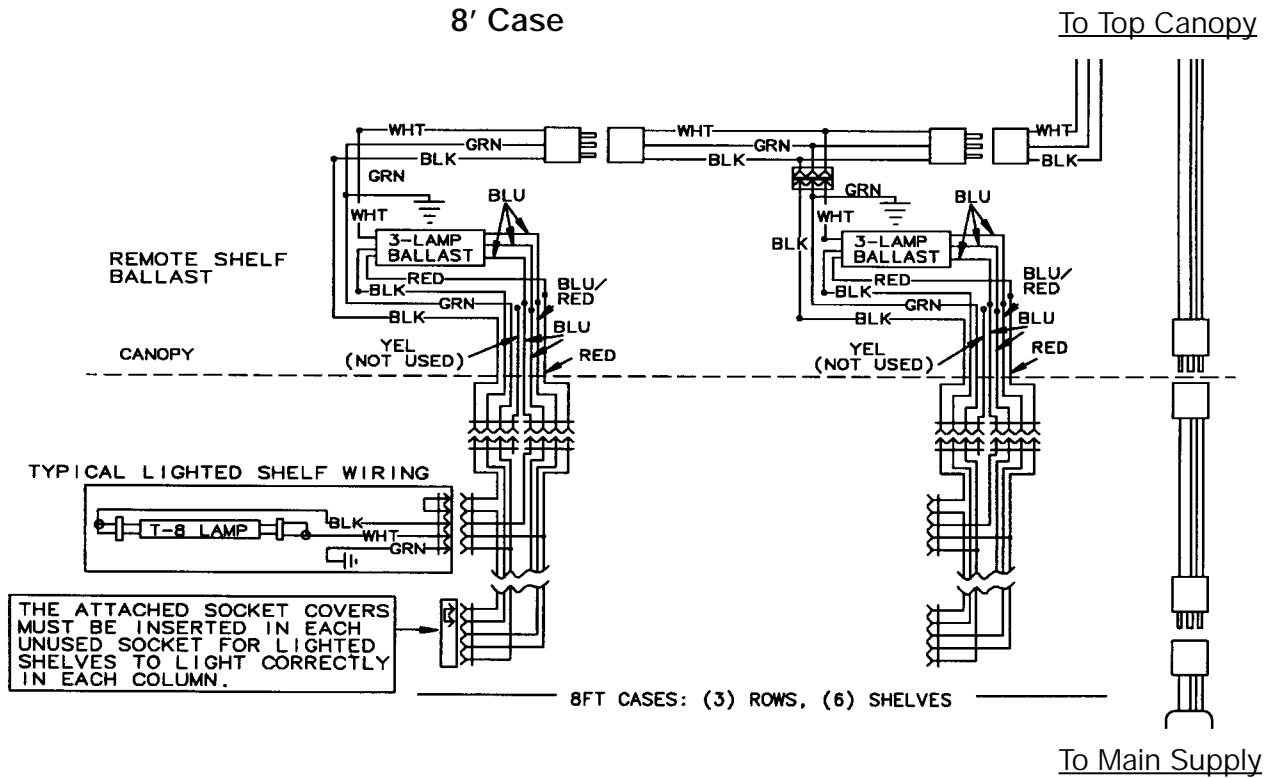


Single Units, Typical Machine Panel Wiring Diagram using Standard Time Clock



Parallel Units, Typical Machine Panel Wiring Diagram using Multi-Circuit Time Clock

Optional Shelf Lighting Circuit (L4M(G) Only)

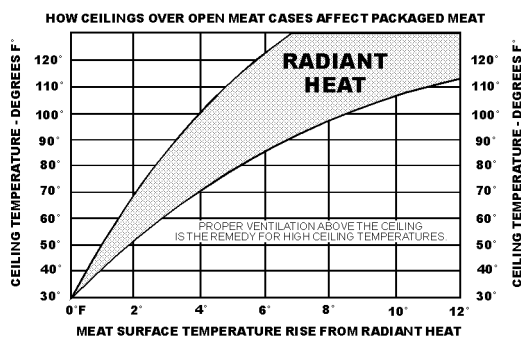
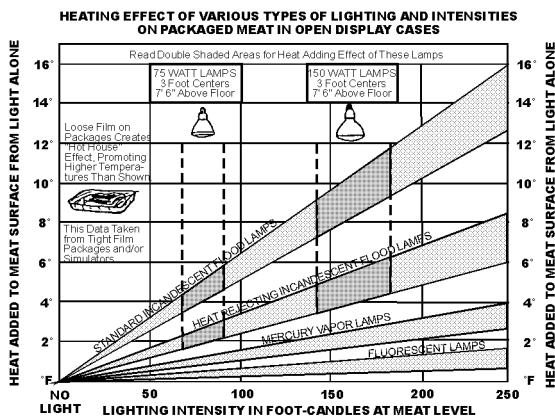


GENERAL INFORMATION

Mirror Installation (L4M(G) Only)

When installing mirrors you must be aware that on longer line-ups it is possible to end up with a gap at the end of the line-up. To help prevent this, leave a gap at the starting end that can be covered by the stainless steel trim. Additional mirror positioning adjustments may be required to make sure the gaps at each end of the line-up don't show when the stainless steel trim is in place. Also make sure all mirrors have a good tight seal between each mirror.

Radiant Heat Information



A wide temperature range is shown for each type of lighting. This data does not show all situations. Many situations will have higher package warm-up figures than indicated.

It is generally known that the temperature of displayed meat in refrigerated cases will run higher than the circulated air temperature of

the cases. A dial thermometer stuck into the center of a piece of meat compared with one in the air stream quickly confirms this fact.

Another fact is that the surface temperature of the meat will be higher than the center temperature due to radiant heat. TYLER's ongoing research identifies sources of radiant heat and accurately measures and records it. These charts were developed from the information gathered during this research. Two major sources of radiant heat are from display lights and ceiling surfaces. Additional heat sources come from bad display practices which either overload the case with product or allow voids in the product display. Poor display practices impair the efficiency of the refrigeration, adding to the surface temperature of the meat.

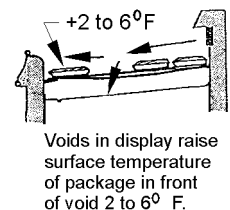
Bacteria and molds grow when surface temperatures rise above 45°F. This prematurely discolors displayed meats and causes unnecessary meat department losses.

Radiant Heat Measurement

Place two accurate dial thermometers side by side in a case. Cover one of the thermometer stems with black friction tape. The temperature difference is the approximate amount of radiant heat. A change in display lighting or a reduction of high ceiling temperatures (over 80°F) could reduce the radiant heat in the case.

Display Practices

Encourage butchers to maintain all meat below the case load lines and to eliminate product voids. Case screens could be covered in some instances to keep the refrigerated air over the display.



CAUTION

The quality damage done to meat products by high temperatures and/or contamination during delivery, cooler storage, cutting and wrapping cannot be repaired by placing the products into properly operating display cases.

SERVICE INSTRUCTIONS

Troubleshooting Self-Contained Units

WARNING

Never work on electrically powered equipment while it is energized! Electrical shock could cause personal injury and/or death.

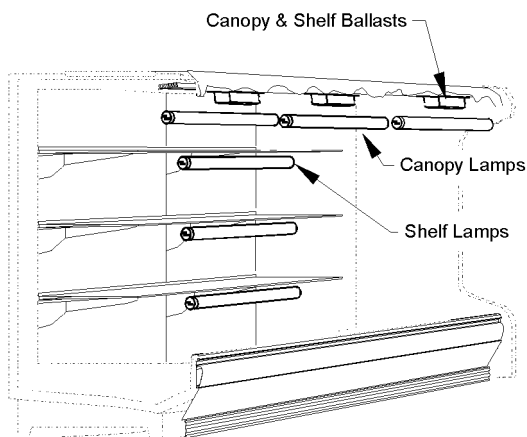
<u>TROUBLE</u>	<u>COMMON CAUSE</u>	<u>REMEDY</u>
1. Unit will not run	Blown fuse	Replace fuse.
	Low voltage	Check outlet with voltmeter. Voltage should be 115V or 220V ($\pm 10\%$).
	Inoperative motor or temperature control	Check connections.
2. Refrigerated section is too warm	Shelves overloaded; blocked air flow	Make sure items do not block the air flow.
	Thermostat set incorrectly	Check setting.
	Pressure control set incorrectly	Check setting.
3. Refrigerated section too cold	Case fans not operating	Check terminal block connections.
	Thermostat set incorrectly	Check setting.
	Pressure control set incorrectly	Check setting.
4. Unit runs all the time	Inadequate air circulation	Relocate cabinet or remove obstruction. Check installation requirements.
	Room temperature too warm	Ventilate room appropriately.
	Thermostat set incorrectly	Reset thermostat.
	Refrigerant charge low	Have unit serviced by a qualified service technician.
5. Noisy operation	Loose baffles	Tighten or brace baffles.
	Tubing contacting cabinet or other tubing	Move tubing.
	Cabinet not level	Level cabinet.
6. Frost or ice on evaporator coil	Defrost clock doesn't work	Check electrical connections. Have unit serviced by a qualified service technician.
7. Water dripping from case drain	Condensate drain clogged	Clear drain.
	Dissipator not functioning	Check electrical supply. Check float assembly.

SERVICE INSTRUCTIONS

Light Servicing

See "General I&S Manual" for T-8 lamp and ballast (L4M(G)), fan blade and motor, and color band and bumper replacement instructions.

Ballast and Lighting Locations

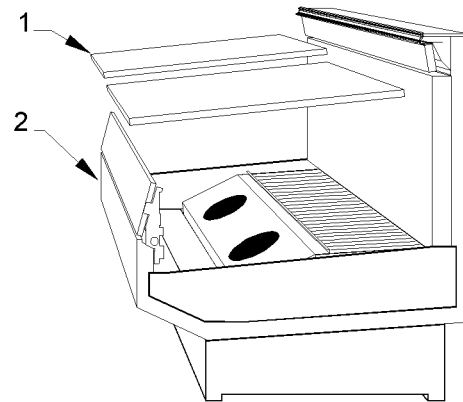


All light ballasts are located under the canopy and mounted on the top of the canopy light channel. This includes remote ballasts for optional shelf lights. The canopy light(s) are under the canopy light channel in the top of the case. The optional shelf lights are mounted under the top interior liner above each shelf section.

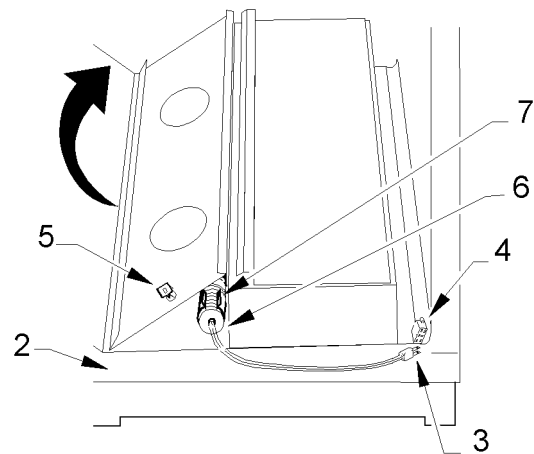
Defrost Heater Replacement

WARNING

Always shut off electricity to case before replacing a defrost heater. Automatic cycling of fans or electrical power to wire ends could cause personal injury and/or death.



1. Remove bottom trays (1) from case (2).



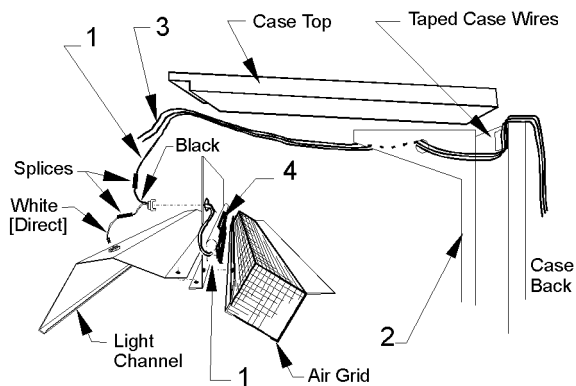
2. Disconnect defrost heater plug (3) from junction block (4).
3. Unclip and lift up fan plenum (5).
4. Remove defrost heater (6) from mounting clips (7) and case (2).
5. Install new defrost heater (6) in reverse order.
6. Restore electrical power to case.

Anti-Sweat Replacement

All cases have at least one anti-sweat heater. LM cases have a rear riser anti-sweat heater. L4M cases have a discharge grid anti-sweat heater. LMG and L4MG cases have an additional anti-sweat heater for the front glass. All anti-sweat heaters are wires that run the length of the above mentioned components. Use the following instructions to replace an anti-sweat heater.

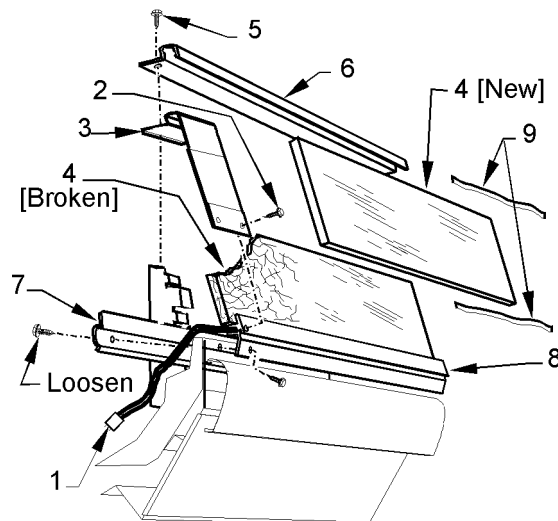
WARNING

Shut off or disconnect power supply to case before changing an anti-sweat. Electrical power from wire ends could damage other components and/or cause personal injury or death.



1. Expose the full length of the defective anti-sweat wire (1) in the case (2).
2. Disconnect or cut the defective anti-sweat wire (1) from the case wires (3).
3. Remove the aluminum tape (4) and defective anti-sweat wire (1) from the case (2).
4. Position new anti-sweat wire (1) in case (2) and secure with new aluminum tape (4).
5. Connect or splice the new anti-sweat wire (1) to case wires (3).
6. Replace all components that were removed to expose the anti-sweat wire (1).
7. Restore electrical power to case.

Front Glass Replacement (LMG and L4MG Only)



1. Unplug glass anti-sweat wire (1).
3. Remove two screw (2) and glass joint trim (3) from both joints of the broken glass (4).
2. Remove screws (5) and glass trim rail (6) from top of glass (4).
4. Loosen rear retainer (7) and remove broken glass (4) from glass retainer assembly (8).

NOTE

Inspect the anti-sweat wire in glass retainer assembly. If wire is damaged or broken, replace it before replacing the front glass.

5. Apply sealant tape (9) to top and bottom edge of new glass (4).
6. Position new glass (4) in glass retainer assembly (8) and secure by tightening rear retainer (7).
7. Install glass trim rail (6) with screws (5) over top edge of new glass (4).
8. Install glass joint trim (3) with screw (2) over the joint areas of glass (4).
9. Reconnect the anti-sweat wire (1).

PARTS INFORMATION

Operational Parts List

Case Usage	Domestic			Export	
	115 Volt 60 Hertz			220 Volt 50 Hertz	
Case Size	6'	8'	12'	8'	12'
Fan Motor (LM(G))	5125532 5 Watt	5125532 5 Watt	5125532 5 Watt	5126572 5 Watt	5126572 5 Watt
(L4M(G))	----	5243498 9 Watt	5243498 9 Watt	5223696 18.3 Watt	5223696 18.3 Watt
PSC Rev. Fan Mtr. (L4M(G))	----	5217999 9 Watt	5217999 9 Watt	----	----
Fan Motor Brackets (LM(G))	5213132	5213132	5213132	5213132	5213132
(L4M(G))	----	5235087	5235087	5205112	5205112
Fan Blades (6" 21° 3B) (LM(G))	5105621	5105621	5105621	5105621	5105621
(8.75" 25° 5B) (L4M(G))	----	5984399	5984399	5984399	5984399
220V Relay 3 Pole (rev. fan mtr.)	5197868	5197868	5197868	----	----
T-8 Ballast (canopy)	5991029	5991029	5991030	9028437	9028438
Opt. T-8 Ballast (shelf lamps)	5991030	5991030	5991030	9028438	9028438
T-8 Lampholder (canopy)	5232279	5232279	5232279	5232279	5232279
T-8 Lampholder (shelf)	5092414	5092414	5092414	5092414	5092414
Light Switch (LM(G) opt. light)	5100565	5100565	5100565	5100565	5100565
(L4M(G))	5193982	5193982	5193982	5193982	5193982
Anti-Sweat Heater Wire	5227379	5124216	5124217	5081147	5081148
Opt. Elec. Def. Heater	----	5124521	5124522	----	----
Opt. Elec. Def. Limit Switch	5125211	5125211	5125211	----	----
Opt. Gas Def. Fan Delay Switch	9023503	9023503	9023503	9023503	9023503
Opt. Gas Def. Term. T'stat	9023508	9023508	9023508	9023508	9023508
Opt. Air Def. Limit Switch	5125211	5125211	5125211	----	----

For information on operational parts not listed above contact the TYLER Service Parts Department.

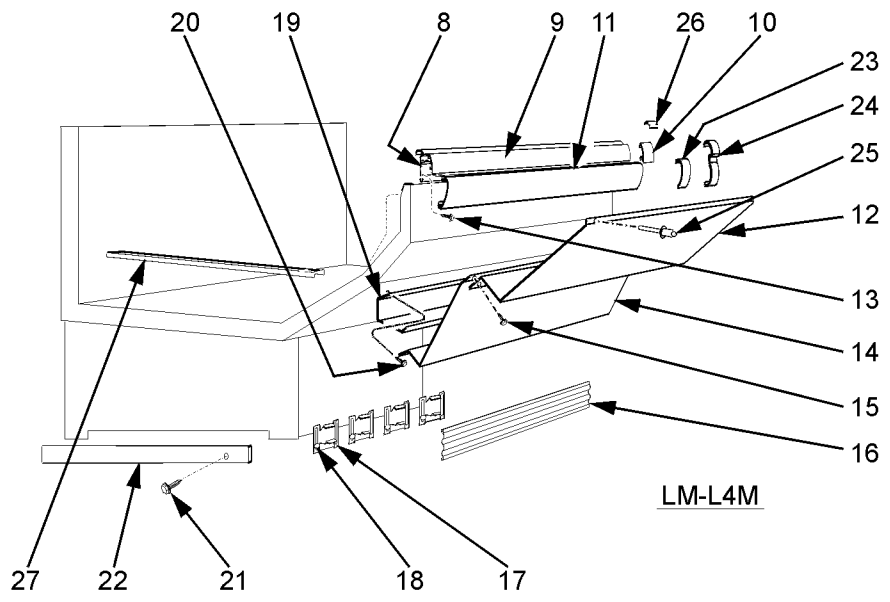
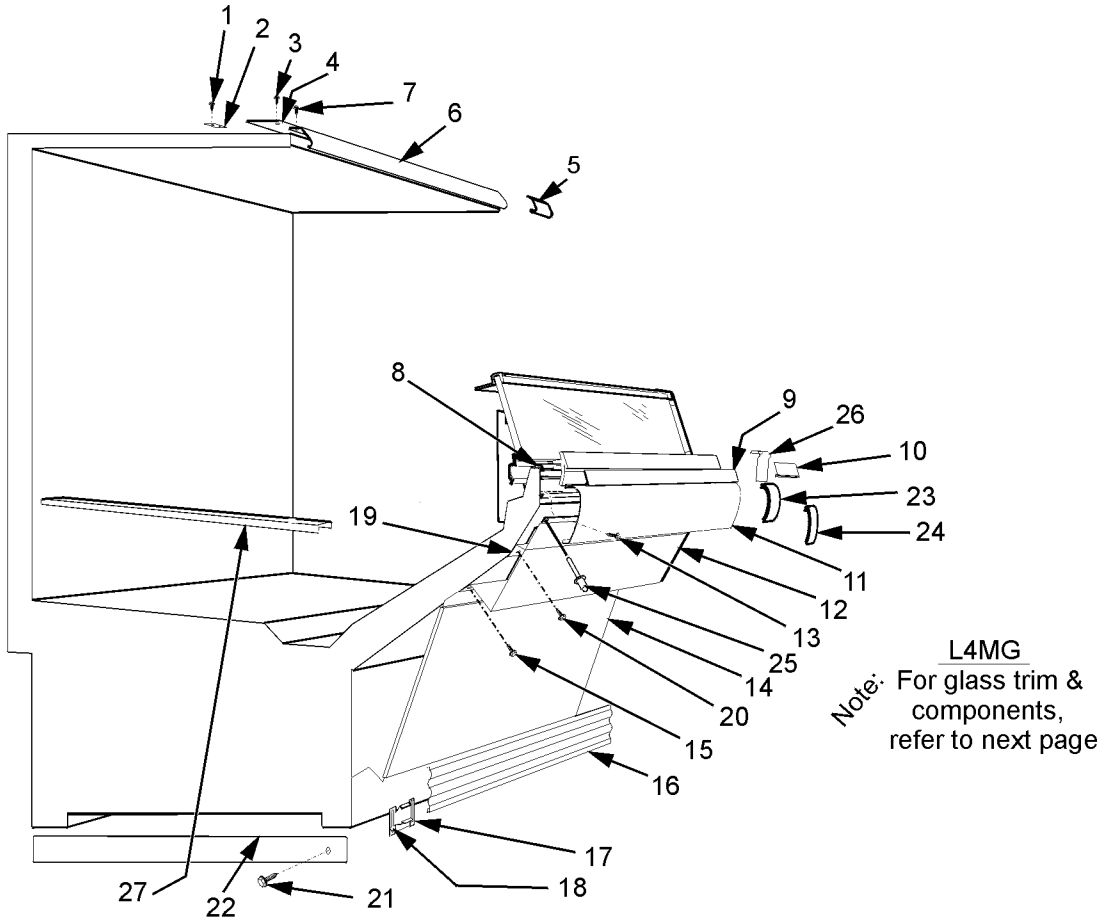
Cladding and Trim Parts List

Item	Description	LM and LMG			L4M and L4MG	
		6'	8'	12'	8'	12'
1	Screw (per cover)	----	----	----	5183536(4)	5183536(4)
2	End Cover (1 per side)	----	----	----	9026103	9026103
3	Screw	----	----	----	5183536(5)	5183536(7)
4	Close-off, Hood	----	----	----	9026069	9026070
5	Canopy Backer, Painted	----	----	----	9025983	9025983
6	Canopy Hood, Painted	----	----	----	9025223	9025224
7	Screw	----	----	----	5183536(8)	5183536(10)
8	Bumper Retainer (LM/L4M)	----- color by order			-----	
	(LMG/L4MG)	9025052	9025058	9025061	9025058	9025061
9	Top Band, Painted (LM/L4M)	9020978	9020981	9020982	9020981	9020982
	(LMG/L4MG)	9020968	9020971	9020972	9020971	9020972
10	Color Band Backer, Painted (LMG/L4MG)	9025982	9025982	9025982	9025982	9025982
	Color Band Backer, Painted (LM/L4M)	9040223	9040223	9040223	9040223	9040223
11	Bumper	----- color by order			-----	
12	Upr. Frt. Cladding, Painted (LM/L4M)	9025244	9025201	9025202	9025201	9025202
	(LMG/L4MG)	9025245	9025205	9025206	9025205	9025206
13	Screw, Shoulder (LM/L4M)	5183536(12)	5183536(16)	5183536(24)	5183536(16)	5183536(24)
	(LMG/L4MG)	9025833(12)	9025833(12)	9025833(12)	9025833(12)	9025833(12)
14	Lwr. Frt. Cladding, Painted	9025246	9025203	9025204	9025203	9025204
15	Screw, Shoulder (LM/L4M)	5183536(6)	5183536(6)	5183536(6)	5183536(6)	5183536(6)
	(LMG/L4MG)	5183536(6)	5183536(6)	5183536(6)	5183536(6)	5183536(6)
16	Kickplate	----- color by order			-----	
17	Kickplate Support	9041329(3)	9041329(3)	9041329(4)	9041329(3)	9041329(4)
18	Screw	5183536(6)	5183536(6)	5183536(8)	5183536(6)	5183536(8)
19	Raceway	9025126	9025127	9025128	9025127	9025128
20	Screw	5183536(6)	5183536(8)	5183536(10)	5183536(8)	5183536(10)
21	Screw	5222637(6)	5222637(6)	5222637(6)	5222637(6)	5222637(6)
22	LH End Close-off, Painted	9022459	9022459	9022459	9022459	9022459
	RH End Close-off, Painted	9022466	9022466	9022466	9022466	9022466
23	Bumper Backer	----- color by order			-----	
24	Bumper End Trim	----- color by order			-----	

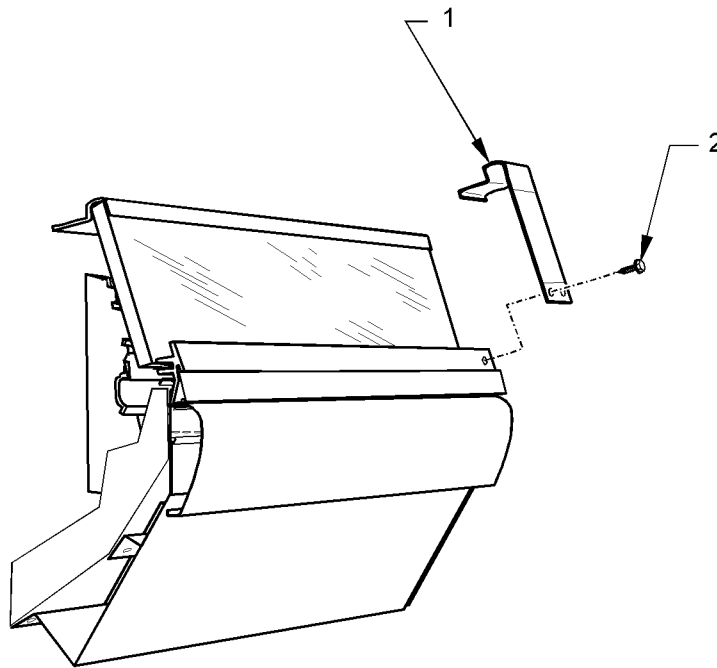
Installation & Service Manual

LM(G), L4M(G)

Item	Description	LM and LMG			L4M and L4MG	
		6'	8'	12'	8'	12'
25	Rivet	5104702(4)	5104702(4)	5104702(4)	5104702(4)	5104702(4)
26	Handrail Backer, Painted (LM/L4M)	9025316	9025316	9025316	9025316	9025316
27	Horizontal Joint Trim	9025959	9025959	9025959	9025959	9025959



Front Glass Trim Parts (LMG/L4MG only)



Item Description	LMG			L4MG	
	6'	8'	12'	8'	12'
1 Glass Joint Trim	9025959	9025959	9025959	9025959	9025959
2 Screw	5048626(2)	5048626(2)	5048626(2)	5048626(2)	5048626(2)