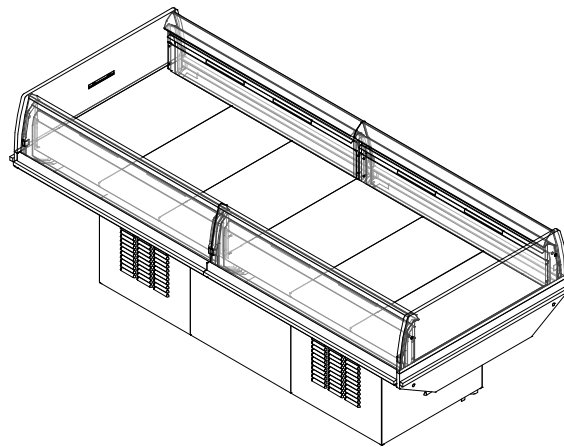


GENERAL NOTES:

- "---" indicates that the feature is not an option on this case model and/or the data is not yet available.



SHIPPING WEIGHT	
Case Length	Weight (lbs)
3' x 3'	177
4' x 4'	336
4' x 8'	684



ENGINEERED FOR STORES WITH AMBIENT CONDITIONS NOT TO EXCEED 75° AND 55% RELATIVE HUMIDITY. DUE TO ENGINEERING IMPROVEMENTS SPECIFICATIONS MAY CHANGE WITHOUT NOTICE. ALL MEASUREMENTS ARE TAKEN PER ASHRAE-72-2005 SPECIFICATIONS. HILLPHOENIX REFRIGERATED DISPLAY CASES FOR SALE IN THE UNITED STATES MEET OR EXCEED DEPARTMENT OF ENERGY 2017 REQUIREMENTS. NUMBERS ARE BASED ON STANDARD CASE SIZES. CONSULT ENGINEERING.

MIDA

Rev. Date	Rev. #	Rev. Title
3-9-20	0	NEW RELEASE

SYSTEM REQUIREMENTS						
Case Size	Volts	Phase	Electrical Circuits Per Case	Total Amps	MCA	MOP
3' x 3'	120	1	1	3.6	4.37	15A
4' x 4'	120	1	1	8.6	10.96	15A
4' x 8'	120	1	1	17.9	20.4	25A
4' x 8'	120	1	(2 (1 OF 2)*)	9.7	12.1	15A
4' x 8'	120	1	(2 (2 OF 2)*)	8.2	10.3	15A

ELECTRICAL DATA					
Case Size	Fans Per Case	High Efficiency Fans		Anti-Condensate Heat	
		120 Volts		120 Volts	
		Amps	Watts	Amps	Watts
3' x 3'	1	0.02	3.0	0.40	48.0
4' x 4'	2	0.05	7.0	1.03	123.0
4' x 8'	4	0.10	14.0	2.05	246.0

GUIDELINES AND CONTROL SETTINGS						
Case Size	Case Application	24hr Energy Usage (kWh)	Set Point St (°F)	Hysteresis rd (°F)	Discharge Air (°F)	Discharge Air Velocity (FPM)
3' x 3'	Dairy	---	29	9	---	---
3' x 3'	Deli	2.84	26	9	21	120
4' x 4'	Dairy	---	11	14	---	---
4' x 4'	Deli	---	10	14	---	---
4' x 4'	Fresh Meat	14.61	6	2	7	120
4' x 8'	Dairy	---	13	14	---	---
4' x 8'	Deli	---	11	14	---	---
4' x 8'	Fresh Meat	28.54	6	2	7	120

CONDENSING UNIT DATA						
Case Size	Volts	Phase	RLA (amps)	LRA (amps)	Refrigerant	Refrigerant Charge (lbs)
3' x 3'	120	1	4	23	R290	0.33
4' x 4'	120	1	10	44	R290	0.24
4' x 8'	120	1	20	88	R290	0.24

NOTES:

- "----" indicates that the feature is not an option on this case model and/or the data is not yet available.
- Notes added are specific to case as pertains to data.
- "*" Indicates the MIDA 8 is supplied with 2 electrical plugs and may be connected to separate circuits with a 15A breaker, or a common circuit with a 25A breaker.



ENGINEERED FOR STORES WITH AMBIENT CONDITIONS NOT TO EXCEED 75° AND 55% RELATIVE HUMIDITY. DUE TO ENGINEERING IMPROVEMENTS SPECIFICATIONS MAY CHANGE WITHOUT NOTICE. ALL MEASUREMENTS ARE TAKEN PER ASHRAE-72-2005 SPECIFICATIONS. HILLPHOENIX REFRIGERATED DISPLAY CASES FOR SALE IN THE UNITED STATES MEET OR EXCEED DEPARTMENT OF ENERGY 2017 REQUIREMENTS. NUMBERS ARE BASED ON STANDARD CASE SIZES. CONSULT ENGINEERING.

MIDA

Rev. Date	Rev. #	Rev. Title
3-9-20	0	NEW RELEASE

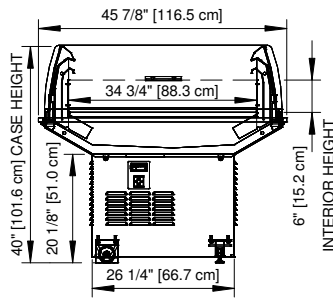
DEFROST CONTROLS							
Case Application	Case Size	Defrosts per Day	Frequency dl (hr)	Run Off Time (Min)	Drip Time dd (min)	Timed Off Defrost (Min)	Timed Off Defrost Termination Temp (°F)
Dairy	3' x 3'	---	8	---	0	---	---
Deli	3' x 3'	3	8	0	0	51	47
Dairy	4' x 4'	---	6	---	0	---	---
Deli	4' x 4'	---	6	---	0	---	---
Fresh Meat	4' x 4'	4	6	0	0	23	68
Dairy	4' x 8'	---	6	---	0	---	---
Deli	4' x 8'	---	6	---	0	---	---
Fresh Meat	4' x 8'	4	6	0	0	23	68



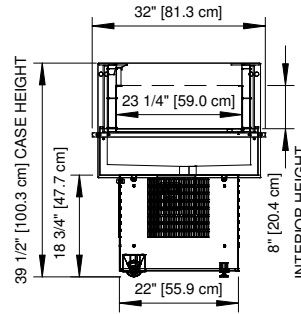
ENGINEERED FOR STORES WITH AMBIENT CONDITIONS NOT TO EXCEED 75° AND 55% RELATIVE HUMIDITY. DUE TO ENGINEERING IMPROVEMENTS SPECIFICATIONS MAY CHANGE WITHOUT NOTICE. ALL MEASUREMENTS ARE TAKEN PER ASHRAE-72-2005 SPECIFICATIONS. HILLPHOENIX REFRIGERATED DISPLAY CASES FOR SALE IN THE UNITED STATES MEET OR EXCEED DEPARTMENT OF ENERGY 2017 REQUIREMENTS. NUMBERS ARE BASED ON STANDARD CASE SIZES. CONSULT ENGINEERING.

MIDA

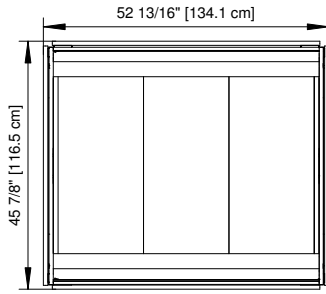
Rev. Date	Rev. #	Rev. Title
3-9-20	0	NEW RELEASE



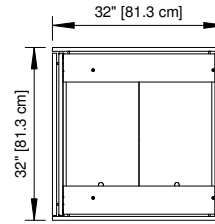
(4'x4') & (4'x8') SECTION



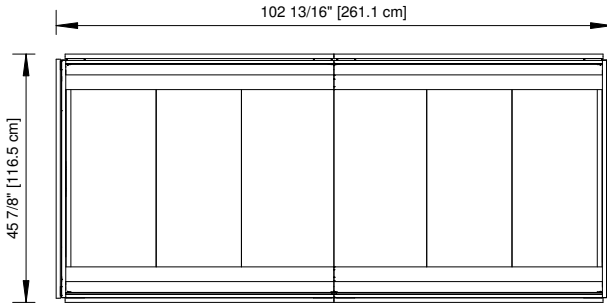
(3'x3') SECTION



(4'x4') TOP VIEW



(3'x3') TOP VIEW



(4'x8') TOP VIEW

NOTES:

- "----" indicates that the feature is not an option on this case model and/or the data is not yet available.



ENGINEERED FOR STORES WITH AMBIENT CONDITIONS NOT TO EXCEED 75° AND 55% RELATIVE HUMIDITY. DUE TO ENGINEERING IMPROVEMENTS SPECIFICATIONS MAY CHANGE WITHOUT NOTICE. ALL MEASUREMENTS ARE TAKEN PER ASHRAE-72-2005 SPECIFICATIONS. HILLPHOENIX REFRIGERATED DISPLAY CASES FOR SALE IN THE UNITED STATES MEET OR EXCEED DEPARTMENT OF ENERGY 2017 REQUIREMENTS. NUMBERS ARE BASED ON STANDARD CASE SIZES. CONSULT ENGINEERING.

MIDA

Rev. Date	Rev. #	Rev. Title
3-9-20	0	NEW RELEASE

Hillphoenix
A DOVER COMPANY