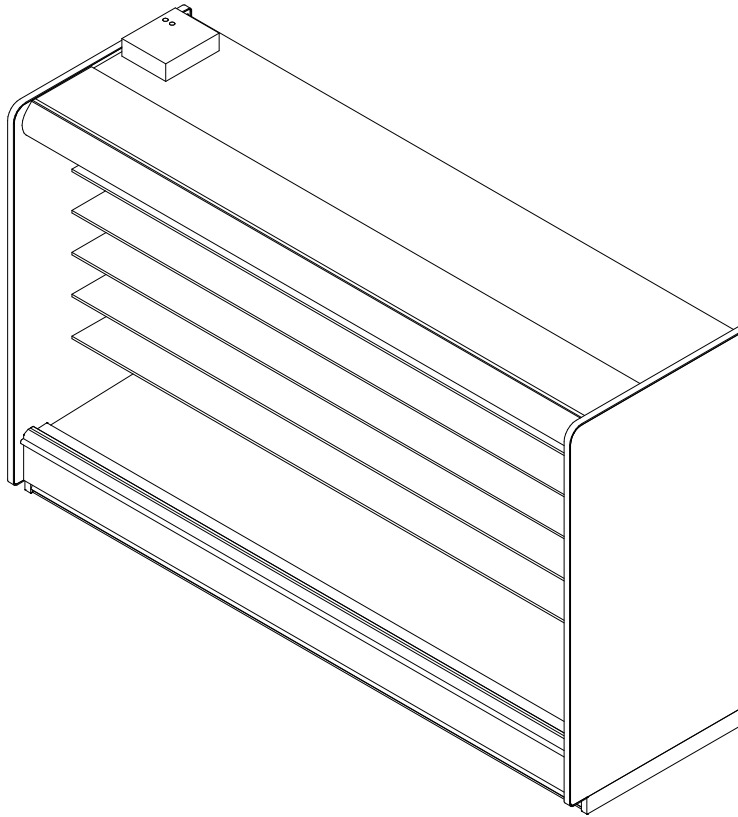


6DMLHR-NRG

Rear Load Multi-Deck Merchandiser with Synerg-E™
6', 8' & 12' (Dairy / Deli)

GENERAL NOTES:

- "---" indicates that the feature is not available for this model and/or that the data is not yet available.
- LED lights only.
- Maximum of 6 rows of standard output LED lighted shelves.



SHIPPING WEIGHT	
Case	Weight
6DMLHR-NRG	---



ALL MEASUREMENTS ARE TAKEN PER ASHRAE-72-2005 SPECIFICATIONS. HILLPHOENIX REFRIGERATED DISPLAY CASES FOR SALE IN THE UNITED STATES MEET OR EXCEED DEPARTMENT OF ENERGY 2017 REQUIREMENTS.

6DMLHR-NRG

Rev. Date	Rev. #	Rev. Title
6-15-20	8	DATA UPDATE
9-23-19	7	OPTIONS UPDATE

Hillphoenix
A DOVER COMPANY

6DMLHR-NRG

Rear Load Multi-Deck Merchandiser with Synerg-E™
6', 8' & 12' (Dairy / Deli)

ELECTRICAL DATA			
Case Length	Fans Per Case	High Efficiency Fans	
		120 Volt	
		Amps	Watts
6'	3	0.57	65.0
8'	4	0.76	87.0
12'	6	1.14	130.0

LIGHTING DATA					
Case Length	Lights per row	Clearvoyant v4 LED Lighting (Per Light Row)			
		Standard Power (Cornice or Shelf)		High Power (Cornice Only)	
		120 Volts		120 Volts	
		Amps	Watts	Amps	Watts
6'	2	0.57	65.0	0.20	23.8
8'	2	0.76	87.0	0.25	29.9
12'	3	1.14	130.0	0.37	44.8

GUIDELINES AND CONTROL SETTINGS					
BTUH/ft		Superheat Set Point @ Bulb (°F)	Evaporator (°F)	Discharge Air (°F)	Discharge Air Velocity (FPM)
Conventional	Parallel				
1756	1500	6 - 8	25	31	200

DEFROST CONTROLS		
Defrosts Per Day	Timed-Off Defrost	
	Fail-Safe (Min)	Termination Temp (F)
6	45	47

NOTES:

- "—" indicates that the feature is not available for this model and/or that the data is not yet available.
- Listed BTUH/ft data represent unlighted shelves. For LED lighting, add 9 BTUH/ft per row of lighted shelving.
- BTUH load increases by 132 BTUH/ft when aftermarket merchandising accessories are utilized.
- Listed evaporator temperature represents unlighted shelves. For lighted shelves and/or aftermarket merchandising accessories, reduce the listed evaporator temperature by 2°F.
- Conventional Discharge Air Control – Recommended Settings: Cut-In Temp = Discharge Air + 2°F; Cut-Out Temp = Discharge Air
- Listed discharge air velocity represents the average velocity immediately after defrost.
- Temperature and defrost settings listed above are recommended start-up settings. Final operational settings may need to be adjusted for the store conditions in which the case operates.
- The recommended evaporator temperatures may need to be adjusted based on system setup, store conditions, etc. The minimum recommended evaporator temperature is 4°F below the listed evaporator temperature.



ALL MEASUREMENTS ARE TAKEN PER ASHRAE-72-2005 SPECIFICATIONS. HILLPHOENIX REFRIGERATED DISPLAY CASES FOR SALE IN THE UNITED STATES MEET OR EXCEED DEPARTMENT OF ENERGY 2017 REQUIREMENTS.

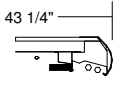
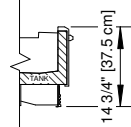

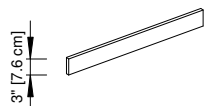
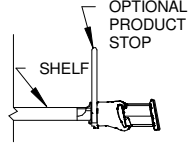
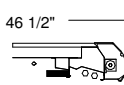
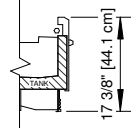

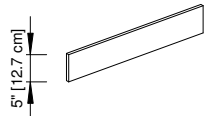
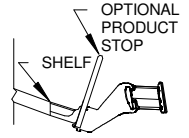
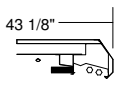
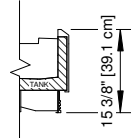


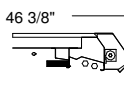
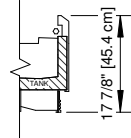

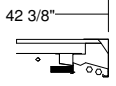
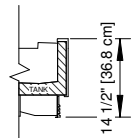
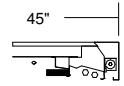
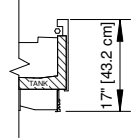
6DMLHR-NRG

Rev. Date	Rev. #	Rev. Title
6-15-20	8	DATA UPDATE
9-23-19	7	OPTIONS UPDATE

Hillphoenix
A DOVER COMPANY

6DMLHR-NRG

Rear Load Multi-Deck Merchandiser with Synerg-E™
6', 8' & 12' (Dairy / Deli)

CORNICE OPTIONS	FRONT OPTIONS	SHELF TAG MOLDING OPTIONS	PRODUCT STOP OPTIONS (ONLY APPLICABLE ON SLOTTED TM)	SHELF EDGE ENERGY SAVINGS
<p><u>CURVED CORNICE</u></p>  <p>43 1/4"</p>	<p><u>CLASSIC 2 STANDARD FRONT</u></p>  <p>14 3/4" [37.5 cm]</p>	<p><u>1.25" STD</u></p> 	<p><u>3" PLEXI PRODUCT STOPS</u></p>  <p>3" [7.6 cm]</p>	<p><u>ECO BLADE FLAT SHELF</u></p>  <p>OPTIONAL PRODUCT STOP SHELF</p>
<p><u>CURVED CORNICE WITH NIGHT COVER</u></p>  <p>46 1/2"</p>	<p><u>CLASSIC 2 17" FRONT W/ & W/O NOSE LIGHT</u></p>  <p>17 3/8" [44.1 cm]</p>	<p><u>SLOTTED</u></p> 	<p><u>5" PLEXI PRODUCT STOPS</u></p>  <p>5" [12.7 cm]</p>	<p><u>ECO BLADE ANGLED SHELF</u></p>  <p>OPTIONAL PRODUCT STOP SHELF</p>
<p><u>FACETED CORNICE</u></p>  <p>43 1/8"</p>	<p><u>ANGLED FRONT</u></p>  <p>15 3/8" [39.1 cm]</p>	<p><u>ANGLED</u></p> 	<p><u>WIRE FENCE PRODUCT STOPS</u></p>  <p>3 7/16" [8.7 cm]</p>	
<p><u>FACETED CORNICE WITH NIGHT COVER</u></p>  <p>46 3/8"</p>	<p><u>ANGLED FRONT W/ & W/O NOSE LIGHT</u></p>  <p>17 7/8" [45.4 cm]</p>	<p><u>ANGLED SLOTTED</u></p> 		
<p><u>FLAT CORNICE</u></p>  <p>42 3/8"</p>	<p><u>FLAT FRONT</u></p>  <p>14 1/2" [36.8 cm]</p>			
<p><u>FLAT CORNICE WITH NIGHT COVER</u></p>  <p>45"</p>	<p><u>17" FLAT FRONT W/ & W/O NOSE LIGHT</u></p>  <p>17" [43.2 cm]</p>			

OPTION PAGE NOTES:

- Tag molding materials are PVC, aluminum, or painted aluminum.
- See Ecoblade tech sheet for additional information.



ALL MEASUREMENTS ARE TAKEN PER ASHRAE-72-2005 SPECIFICATIONS. HILLPHOENIX REFRIGERATED DISPLAY CASES FOR SALE IN THE UNITED STATES MEET OR EXCEED DEPARTMENT OF ENERGY 2017 REQUIREMENTS.

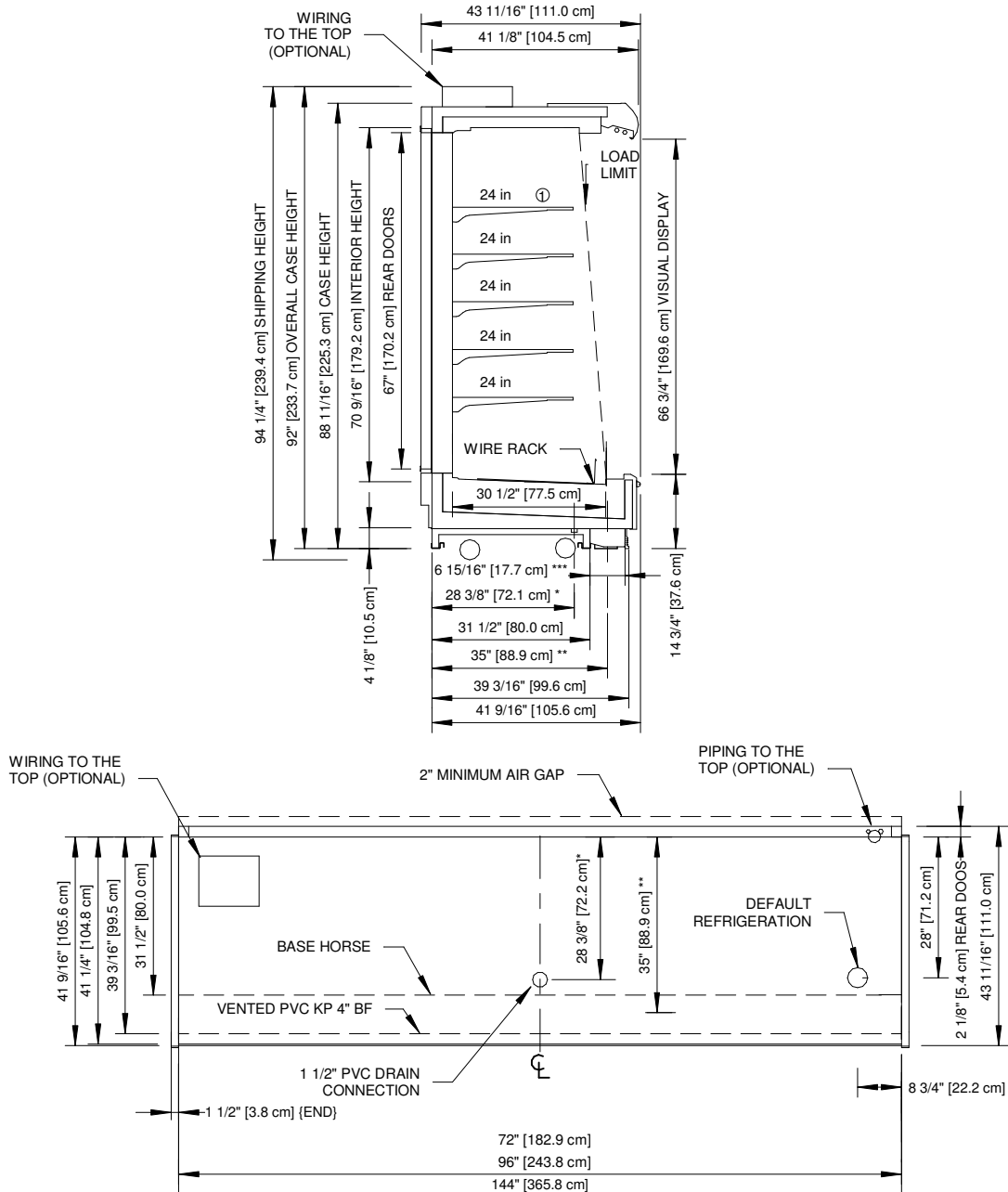
6DMLHR-NRG

Rev. Date	Rev. #	Rev. Title
6-15-20	8	DATA UPDATE
9-23-19	7	OPTIONS UPDATE



6DMLHR-NRG

Rear Load Multi-Deck Merchandiser with Synerg-E™
6', 8' & 12' (Dairy / Deli)



NOTES:

- * :DRAIN CENTER LINE
- ** :RECOMMENDED STUB-UP CENTERLINE FOR ELECTRICAL AND HUB DRAINS
- ***:RECOMMENDED STUB-UP AREA FOR ELECTRICAL AND HUB DRAINS
- ① :AVAILABLE SHELF SIZES: 18", 20", 22" & 24"
- ① : (6) ROWS OF SHELVES MAX

- End add approximately 1" to case height, 1/2" to the back & 1" to the front.
- Back panels add approximately 1" to the rear of teh case suction line 7/8".
- Rear-loading cases are designed for the rear door to open into an operating cooler.
- Peg shelving systems are not to be used with rear-loading cases



6DMLHR-NRG

ALL MEASUREMENTS ARE TAKEN PER ASHRAE-72-2005 SPECIFICATIONS. HILLPHOENIX REFRIGERATED DISPLAY CASES FOR SALE IN THE UNITED STATES MEET OR EXCEED DEPARTMENT OF ENERGY 2017 REQUIREMENTS.

Rev. Date	Rev. #	Rev. Title
6-15-20	8	DATA UPDATE
9-23-19	7	OPTIONS UPDATE

