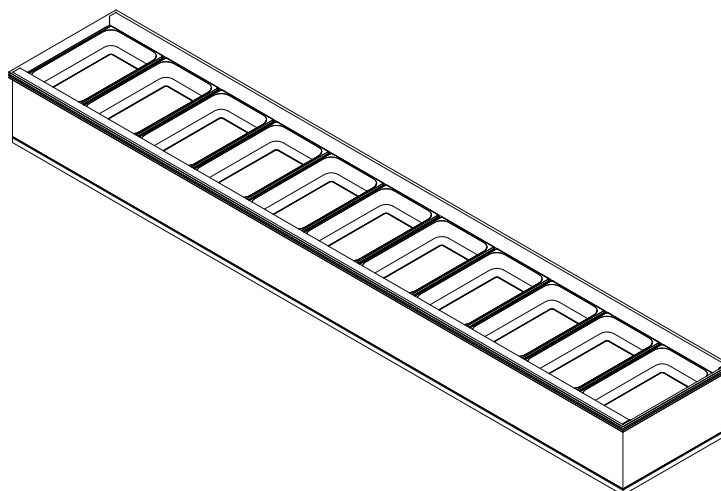


# CW-28-R

Drop-In Air Over Cold Wells for Counter and Salad Bar Merchandisers  
2, 3, 4, 5, 6, 7, 8, 9, 10 & 11 Well (Deli)

## GENERAL NOTES:

- "---" Indicates that the feature is not an option on this case model and/or the data is not yet available at this time.



| SHIPPING WEIGHT |        |
|-----------------|--------|
| Case            | Weight |
| CW-28-R         | ---    |

2017  
**DOE**  
COMPLIANT



Intertek

Intertek

ENGINEERED FOR STORES WITH AMBIENT CONDITIONS NOT TO EXCEED 75° AND 55% RELATIVE HUMIDITY. DUE TO ENGINEERING IMPROVEMENTS SPECIFICATIONS MAY CHANGE WITHOUT NOTICE. ALL MEASUREMENTS ARE TAKEN PER ASHRAE-72-2005 SPECIFICATIONS. HILLPHOENIX REFRIGERATED DISPLAY CASES FOR SALE IN THE UNITED STATES MEET OR EXCEED DEPARTMENT OF ENERGY 2017 REQUIREMENTS. NUMBERS ARE BASED ON STANDARD CASE SIZES. CONSULT ENGINEERING.

## CW-28-R

| Rev. Date | Rev. # | Rev. Title    |
|-----------|--------|---------------|
| 07-20-21  | 1      | NEW STANDARDS |

Clearvoyant  
LED SYSTEM

**Hillphoenix**

A DOVER COMPANY

| ELECTRICAL DATA |               |                      |       |                      |       |               |       |                          |       |
|-----------------|---------------|----------------------|-------|----------------------|-------|---------------|-------|--------------------------|-------|
|                 | Fans Per Case | High Efficiency Fans |       | Anti-Condensate Fans |       | Drain Heaters |       | Optional Defrost Heaters |       |
|                 |               | 120 Volts            |       | 120 Volts            |       | 120 Volts     |       | 208 Volts                |       |
|                 |               | Amps                 | Watts | Amps                 | Watts | Amps          | Watts | Amps                     | Watts |
| 2 Well          | 1             | 0.30                 | 36.0  | ---                  | ---   | ---           | ---   | ---                      | ---   |
| 3 Well          | 1             | 0.30                 | 36.0  | ---                  | ---   | ---           | ---   | ---                      | ---   |
| 4 Well          | 2             | 0.60                 | 72.0  | ---                  | ---   | ---           | ---   | ---                      | ---   |
| 5 Well          | 2             | 0.60                 | 72.0  | ---                  | ---   | ---           | ---   | ---                      | ---   |
| 6 Well          | 2             | 0.60                 | 72.0  | ---                  | ---   | ---           | ---   | ---                      | ---   |
| 7 Well          | 2             | 0.60                 | 72.0  | ---                  | ---   | ---           | ---   | ---                      | ---   |
| 8 Well          | 2             | 0.60                 | 72.0  | ---                  | ---   | ---           | ---   | ---                      | ---   |
| 9 Well          | 3             | 0.90                 | 108.0 | ---                  | ---   | ---           | ---   | ---                      | ---   |
| 10 Well         | 3             | 0.90                 | 108.0 | ---                  | ---   | ---           | ---   | ---                      | ---   |
| 11 Well         | 3             | 0.90                 | 108.0 | ---                  | ---   | ---           | ---   | ---                      | ---   |

| LIGHTING DATA |                |              |  |       |                      |       |
|---------------|----------------|--------------|--|-------|----------------------|-------|
|               | Lights Per Row | Light Length | Clearvoyant 4 LED Lighting (Per Light Row) |       |                      |       |
|               |                |              | Standard Power (Cornice or Shelf)          |       | High Power (Cornice) |       |
|               |                |              | 120 Volts                                  |       | 120 Volts            |       |
|               |                |              | Amps                                       | Watts | Amps                 | Watts |
| 2 Well        | ---            | ---          | ---  | ---   | ---                  | ---   |
| 3 Well        | ---            | ---          | ---  | ---   | ---                  | ---   |
| 4 Well        | ---            | ---          | ---  | ---   | ---                  | ---   |
| 5 Well        | ---            | ---          | ---  | ---   | ---                  | ---   |
| 6 Well        | ---            | ---          | ---  | ---   | ---                  | ---   |
| 7 Well        | ---            | ---          | ---  | ---   | ---                  | ---   |
| 8 Well        | ---            | ---          | ---  | ---   | ---                  | ---   |
| 9 Well        | ---            | ---          | ---  | ---   | ---                  | ---   |
| 10 Well       | ---            | ---          | ---  | ---   | ---                  | ---   |
| 11 Well       | ---            | ---          | ---  | ---   | ---                  | ---   |

| GUIDELINES AND CONTROL SETTINGS (DX) |          |          |                                 |                 |                    |                              |
|--------------------------------------|----------|----------|---------------------------------|-----------------|--------------------|------------------------------|
| BTUH/ft                              |          |          | Superheat Set Point @ Bulb (°F) | Evaporator (°F) | Discharge Air (°F) | Discharge Air Velocity (FPM) |
| Conventional                         | Parallel |          |                                 |                 |                    |                              |
| Angled                               | Flat     | Parallel |                                 |                 |                    |                              |
| 293                                  | 320      | 255      | 8 - 10                          | 26              | 33.34              | 120 - 160                    |

**NOTES:**

- "---" Indicates that the feature is not an option on this case model and/or the data is not yet available at this time.
- Listed discharge air velocity represents the average velocity at the peak of defrost.



ENGINEERED FOR STORES WITH AMBIENT CONDITIONS NOT TO EXCEED 75° AND 55% RELATIVE HUMIDITY. DUE TO ENGINEERING IMPROVEMENTS SPECIFICATIONS MAY CHANGE WITHOUT NOTICE. ALL MEASUREMENTS ARE TAKEN PER ASHRAE-72-2005 SPECIFICATIONS. HILLPHOENIX REFRIGERATED DISPLAY CASES FOR SALE IN THE UNITED STATES MEET OR EXCEED DEPARTMENT OF ENERGY 2017 REQUIREMENTS. NUMBERS ARE BASED ON STANDARD CASE SIZES. CONSULT ENGINEERING.

## CW-28-R

| Rev. Date | Rev. # | Rev. Title    |
|-----------|--------|---------------|
| 07-20-21  | 1      | NEW STANDARDS |
|           |        |               |



| DEFROST CONTROLS |                    |                  |                       |                   |                       |                 |                       |
|------------------|--------------------|------------------|-----------------------|-------------------|-----------------------|-----------------|-----------------------|
| Defrosts Per Day | Run-Off Time (Min) | Electric Defrost |                       | Timed-Off Defrost |                       | Hot Gas Defrost |                       |
|                  |                    | Fail-Safe (Min)  | Termination Temp (°F) | Fail Safe (Min)   | Termination Temp (°F) | Fail-Safe (Min) | Termination Temp (°F) |
| 4                | ---                | ---              | ---                   | 47                | 45                    | ---             | ---                   |

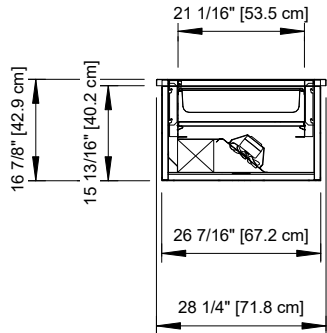


ENGINEERED FOR STORES WITH AMBIENT CONDITIONS NOT TO EXCEED 75° AND 55% RELATIVE HUMIDITY. DUE TO ENGINEERING IMPROVEMENTS SPECIFICATIONS MAY CHANGE WITHOUT NOTICE. ALL MEASUREMENTS ARE TAKEN PER ASHRAE-72-2005 SPECIFICATIONS. HILLPHOENIX REFRIGERATED DISPLAY CASES FOR SALE IN THE UNITED STATES MEET OR EXCEED DEPARTMENT OF ENERGY 2017 REQUIREMENTS. NUMBERS ARE BASED ON STANDARD CASE SIZES. CONSULT ENGINEERING.

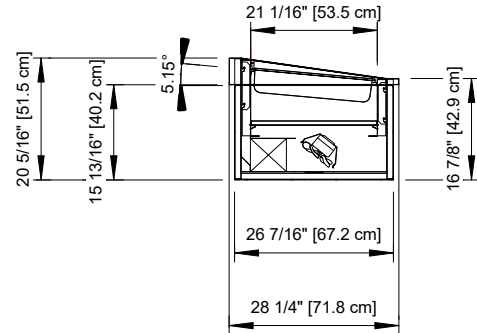
## CW-28-R

| Rev. Date | Rev. # | Rev. Title    |
|-----------|--------|---------------|
| 07-20-21  | 1      | NEW STANDARDS |
|           |        |               |

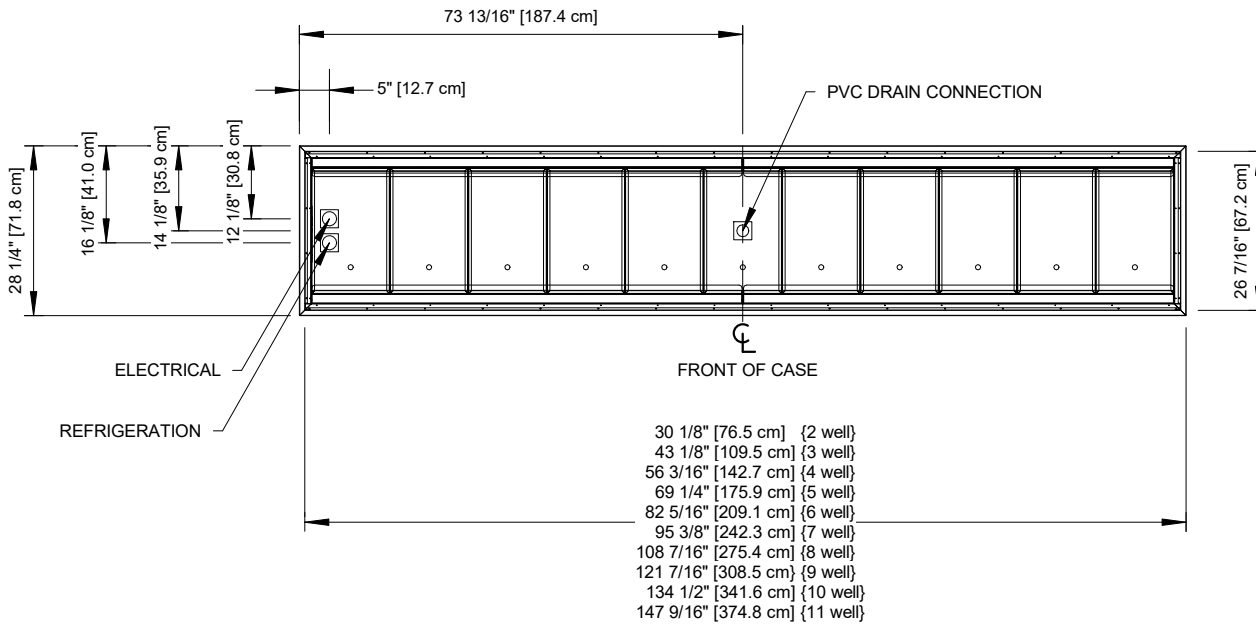




**FLAT WELL**



**ANGLED WELL (OPTIONAL)**



ENGINEERED FOR STORES WITH AMBIENT CONDITIONS NOT TO EXCEED 75° AND 55% RELATIVE HUMIDITY. DUE TO ENGINEERING IMPROVEMENTS SPECIFICATIONS MAY CHANGE WITHOUT NOTICE. ALL MEASUREMENTS ARE TAKEN PER ASHRAE-72-2005 SPECIFICATIONS. HILLPHOENIX REFRIGERATED DISPLAY CASES FOR SALE IN THE UNITED STATES MEET OR EXCEED DEPARTMENT OF ENERGY 2017 REQUIREMENTS. NUMBERS ARE BASED ON STANDARD CASE SIZES. CONSULT ENGINEERING.

**CW-28-R**

| Rev. Date | Rev. # | Rev. Title    |
|-----------|--------|---------------|
| 07-20-21  | 1      | NEW STANDARDS |
|           |        |               |



A DOVER COMPANY