

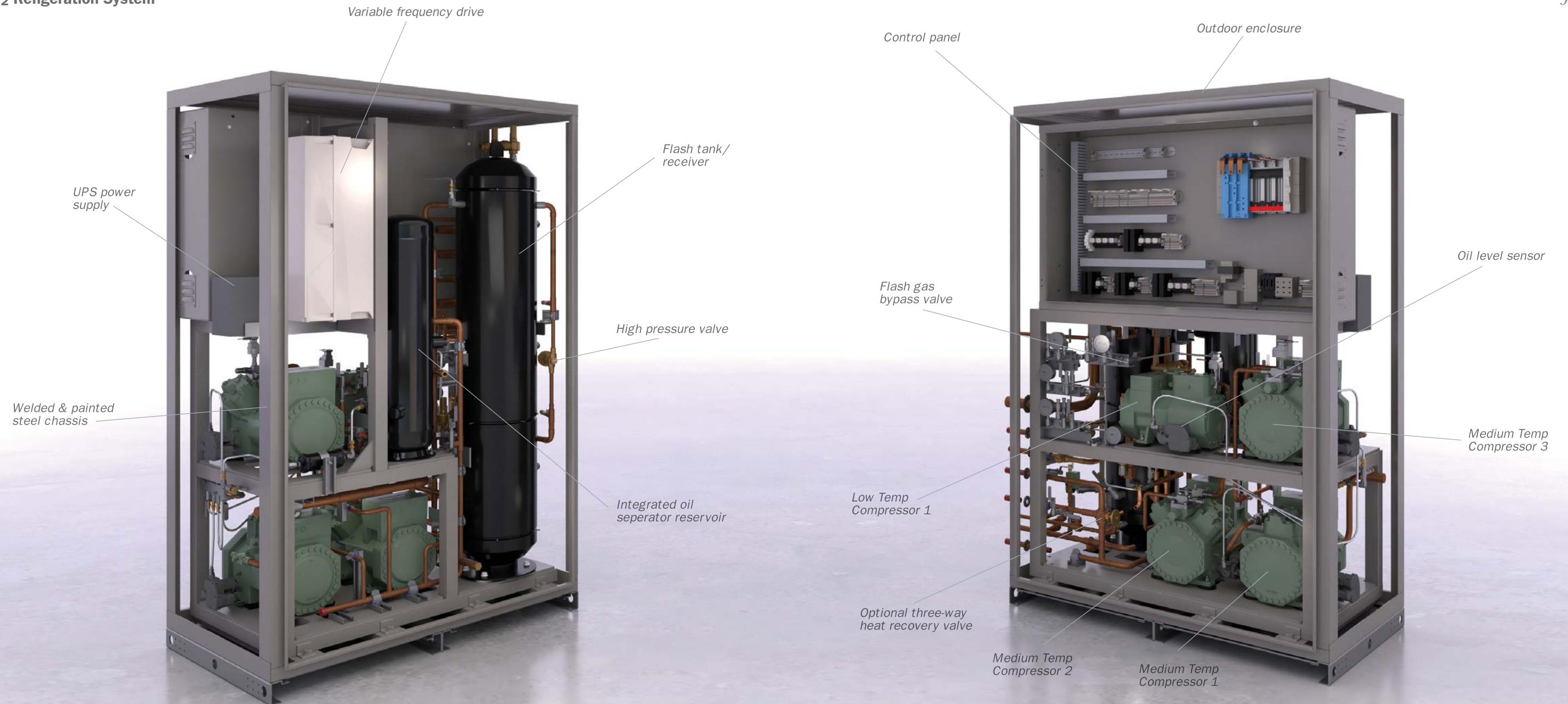
Get a Tiny Glimpse of the Future.

Advansorflex-Mini Distributed Systems

The compact-sized Advansorflex-Mini provides a tomorrow-proof solution that anticipates future changes in regulations before they happen. Its small footprint is perfect for smaller retail stores, partial remodels or stores with distributed refrigeration systems. It's a solution with a cost comparable to HFC versions, and it's much easier on the environment with a GWP of 1 and ODP of 0.

ADVANSOR  *flex*
MINI





Smaller is more economical.

Advansor's initial costs compare favorably with HFC versions. CO₂ is less expensive to begin with. It's naturally occurring and more plentiful. And, because it requires a smaller refrigerant charge, initial installation costs are significantly lower. Even more important, CO₂ saves owners the worry of transitioning to "natural refrigerants" to comply with future regulations.

Smaller is more convenient.

The Advansorflex-Mini™ utilizes lower capacity, optimized rack design that can be located closer to loads. That means less field piping and wiring and a reduced potential for leaks. Plus, a remote gas cooler adds even more flexibility. Its vertical design lends itself to a variety of placements; fitting quite easily in a small, machinery room, back room or even outdoors in an optional weatherproof enclosure.

Smaller is big on performance.

Advansorflex-Mini is designed by Hillphoenix expressly to provide superior performance and convenience in a smaller package. Delivered, ready to install with our rack controller and universal gateway, allowing a seamless communication to any Building Management System (BMS) and makes start-up, service and maintenance quick, simple and less costly.

Smaller is better.

Finally, Advansorflex-Mini delivers all the advantages of the larger Hillphoenix installations enjoyed by supermarkets and big box stores in a refrigeration solution tailor-made for smaller capacity stores and c-stores! (Though larger stores can also take advantage of its architecture in their distributed systems.)

Base Model Features:

- Welded & painted steel chassis.
- 208-230V, 460V, & 575V main power - includes main and control 2-point power source.
- Energy efficient Bitzer semi-hermetic compressors for low-temp and medium-temp suction groups.
- CRIL digital compressor capacity control for lead low-temp compressors.
- Liquid strainer.
- Suction strainers per group.
- Thru-the-door electrical disconnect.
- IEC contactors.
- Phase loss monitor with brownout protection.

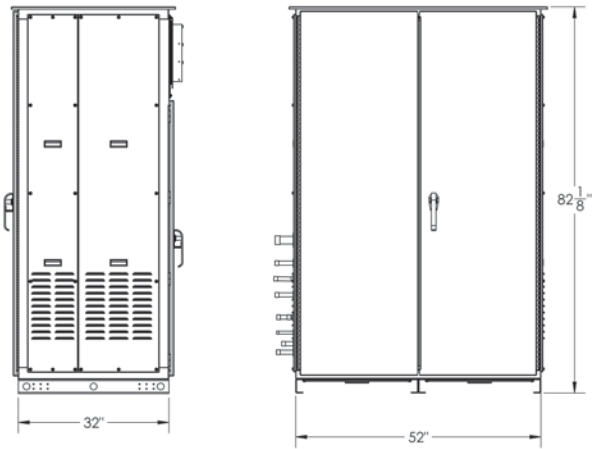
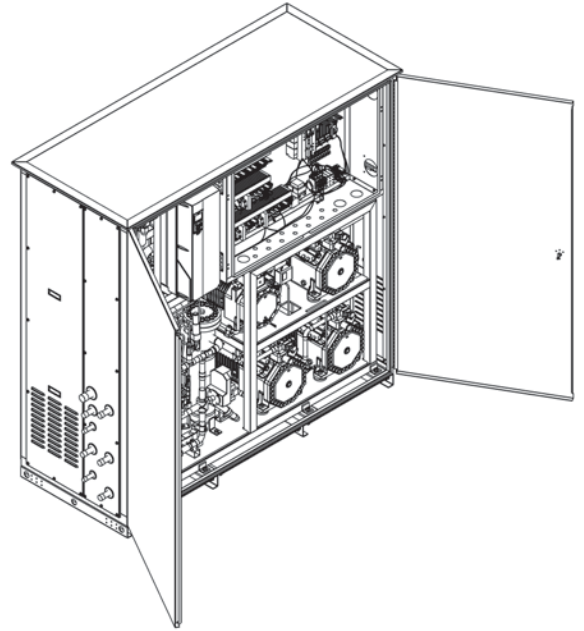
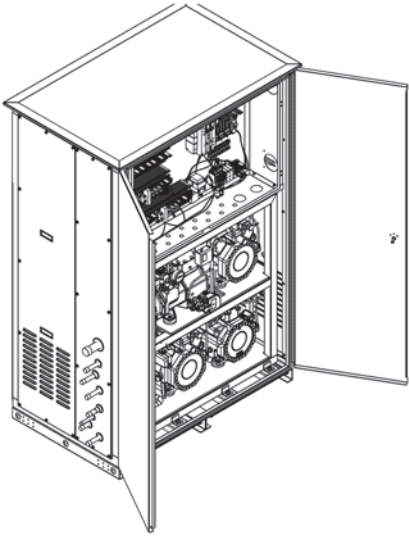
- Dedicated CO₂ rack controller with universal gateway.
- Analog liquid level indicator/alarm.
- Filter less oil separator with Integral oil reservoir for small chassis.

Options:

- Digital gateway for flawless communication with any BMS (Building Management System).
- Weatherproof cabinet.
- Heat reclaim package - field installed / remote
- Suction filter/drier - field installed / remote
- Additional isolation valves - field installed / remote

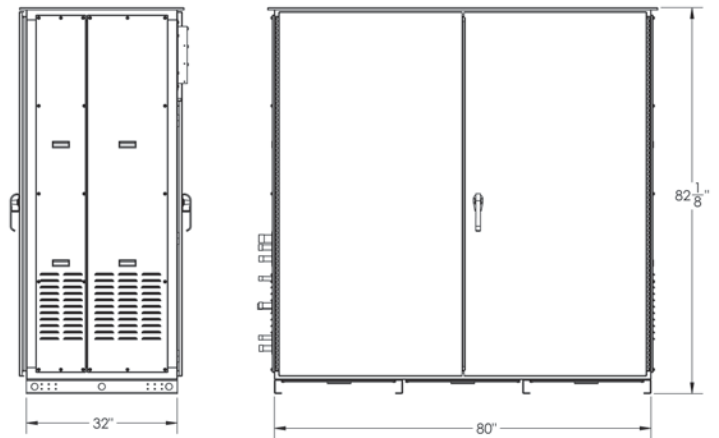
Advansorflex-Mini — Small Unit

Advansorflex-Mini — Large Unit



SIDE VIEW

FRONT VIEW



SIDE VIEW

FRONT VIEW

Advansorflex-Mini	Estimated Weight*	Dimensions
Small Unit	800-1100 lbs	52"W x 32"D x 82"H
Large Unit	1000-1900 lbs	80"W x 32"D x 82"H

* Depending on capacity and compressor selections.

Please consult Hillphoenix Engineering Reference Manual for dimensions, plan views and technical specifications. Specifications are subject to change without notice. Certified to UL 471 and ANSI/NSF standard 7.

Designed for optimal performance in store environments where temperatures and humidity do not exceed 75°F and 55%R.H.

Hillphoenix

Conyers, GA USA

770.285.3057

hillphoenix.com

©2021 Hillphoenix, Inc.

