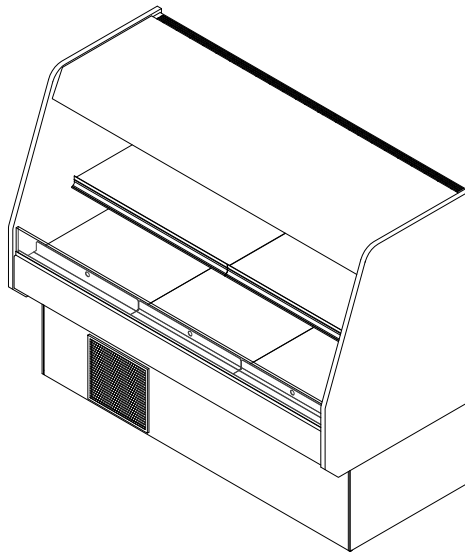


CF-SC (SFC)

Self-Service Open Multi-Deck Merchandiser
3', 4', 5' & 6' (Bakery/Beverage/Dairy/Deli)

GENERAL NOTES:

- "---" Indicates that the feature is not an option on this case model and/or the data is not yet available at this time.
- (SFC) - Small Format Channel



SHIPPING WEIGHT	
Case	Weight
CF-SC (SFC)	---



ENGINEERED FOR STORES WITH AMBIENT CONDITIONS NOT TO EXCEED 75° AND 55% RELATIVE HUMIDITY. DUE TO ENGINEERING IMPROVEMENTS SPECIFICATIONS MAY CHANGE WITHOUT NOTICE. ALL MEASUREMENTS ARE TAKEN PER ASHRAE-72-2005 SPECIFICATIONS. HILLPHOENIX REFRIGERATED DISPLAY CASES FOR SALE IN THE UNITED STATES MEET OR EXCEED DEPARTMENT OF ENERGY 2017 REQUIREMENTS. NUMBERS ARE BASED ON STANDARD CASE SIZES. CONSULT ENGINEERING.

CF-SC (SFC)

Rev. Date	Rev. #	Rev. Title
08-24-21	3	ENDVIEW UPDATE
05-14-20	2	DATA UPDATE



CF-SC (SFC)

Self-Service Open Multi-Deck Merchandiser
3', 4', 5' & 6' (Bakery/Beverage/Dairy/Deli)

SYSTEM REQUIREMENTS					
Case Length	Volts	Phase	Total Amps	Minimum Circuit Ampacity	Maximum Overcurrent Protection
3'	120	1	16.62	25	45
4'	120	1	19.17	25	45
5'	120	1	20.83	30	50
6'	208	1	16.99	25	45

ELECTRICAL DATA													
Case Length	Fans Per Case	High Efficiency Fans		Anti-Condensate Fans		Drain Pumps		Evaporator Pan Heaters			Auxiliary Fans		
		120 Volts		120 Volts		120 Volts		Volts	Amps	Watts	120 Volts		
		Amps	Watts	Amps	Watts	Amps	Watts				Amps	Watts	
3'	2	0.6	72	---	---	---	---	120	6.70	800	---	---	
4'	2	0.6	72	---	---	---	---	120	6.70	800	---	---	
5'	2	0.6	72	---	---	---	---	120	8.30	1000	---	---	
6'	2	0.6	72	---	---	---	---	120	8.30	1000	---	---	

LIGHTING DATA						
Case Length	Lights Per Row	Light Length	Clearvoyant 4 LED Lighting (Per Light Row)			
			Standard Power (Cornice or Shelf)		High Power (Cornice)	
			120 Volts		120 Volts	
			Amps	Watts	Amps	Watts
3'	1	3'	0.04	4.7	0.10	11.9
4'	1	4'	0.05	5.9	0.12	14.9
5'	1	5'	0.05	7.5	0.15	18.5
6'	2	3'	0.08	9.4	0.20	29.8

GUIDELINES AND CONTROL SETTINGS					
Case Length	24hr Energy Usage (kWh/ft)	Suction Temperature @ Case Outlet (°F)	Superheat Set Point @ Bulb (°F)	Discharge Air (°F)	Discharge Air Velocity (FPM)
3'	17.46	50	8 - 10	34 - 37	230
4'	20.77	35	8 - 10	23 - 26	210
5'	21.18	40	8 - 10	30 - 33	270
6'	29.50	40	8 - 10	36	247

NOTES:

- "----" Indicates that the feature is not an option on this case model and/or the data is not yet available at this time.
- Listed discharge air velocity represents the average velocity at the peak of defrost.
- LRA - Locked Rotor Amps
- RLA - Running Load Amps



ENGINEERED FOR STORES WITH AMBIENT CONDITIONS NOT TO EXCEED 75° AND 55% RELATIVE HUMIDITY. DUE TO ENGINEERING IMPROVEMENTS SPECIFICATIONS MAY CHANGE WITHOUT NOTICE. ALL MEASUREMENTS ARE TAKEN PER ASHRAE-72-2005 SPECIFICATIONS. HILLPHOENIX REFRIGERATED DISPLAY CASES FOR SALE IN THE UNITED STATES MEET OR EXCEED DEPARTMENT OF ENERGY 2017 REQUIREMENTS. NUMBERS ARE BASED ON STANDARD CASE SIZES. CONSULT ENGINEERING.

CF-SC (SFC)

Rev. Date	Rev. #	Rev. Title
08-24-21	3	ENDVIEW UPDATE
05-14-20	2	DATA UPDATE



CF-SC (SFC)

Self-Service Open Multi-Deck Merchandiser
3', 4', 5' & 6' (Bakery/Beverage/Dairy/Deli)

CONDENSING UNIT DATA									
Case Length	Volts	Phase	HP	RLA (Amps)	LRA (Amps)	Refrig.	Condenser Fans		Lbs. Refrig.
							Amps	Watts	
3'	120	1	1/2	7.50	42.00	448a	0.53	156	2.5
4'	120	1	1/2	10.50	54.50	404a/448a	1.10	132	2.5
5'	120	1	1/2	10.50	54.50	404a/448a	1.10	132	2.5
6'	208	1	1/2	6.80	33.70	448a	0.85	115	3.0

DEFROST CONTROLS								
Case Length	Defrosts Per Day	Run-Off Time (Min)	Electric Defrost		Timed-Off Defrost		Hot Gas Defrost	
			Fail-Safe (Min)	Termination Temp (°F)	Fail-Safe (Min)	Termination Temp (°F)	Fail-Safe (Min)	Termination Temp (°F)
3'	4	---	---	---	30	45	---	---
4'	6	---	---	---	45	45	---	---
5'	6	---	---	---	45	45	---	---
6'	6	---	---	---	60	45	---	---



ENGINEERED FOR STORES WITH AMBIENT CONDITIONS NOT TO EXCEED 75° AND 55% RELATIVE HUMIDITY. DUE TO ENGINEERING IMPROVEMENTS SPECIFICATIONS MAY CHANGE WITHOUT NOTICE. ALL MEASUREMENTS ARE TAKEN PER ASHRAE-72-2005 SPECIFICATIONS. HILLPHOENIX REFRIGERATED DISPLAY CASES FOR SALE IN THE UNITED STATES MEET OR EXCEED DEPARTMENT OF ENERGY 2017 REQUIREMENTS. NUMBERS ARE BASED ON STANDARD CASE SIZES. CONSULT ENGINEERING.

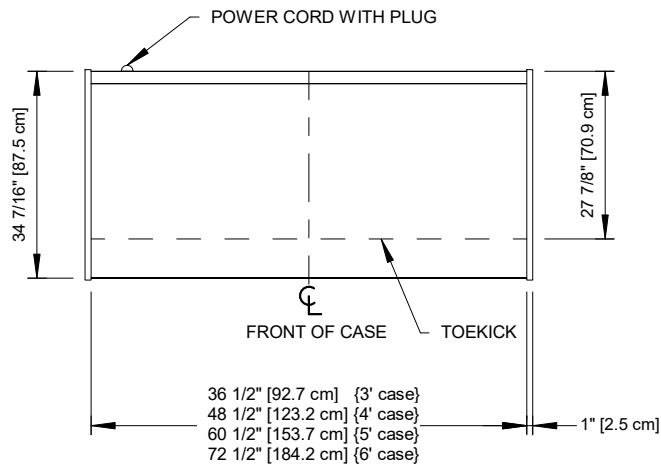
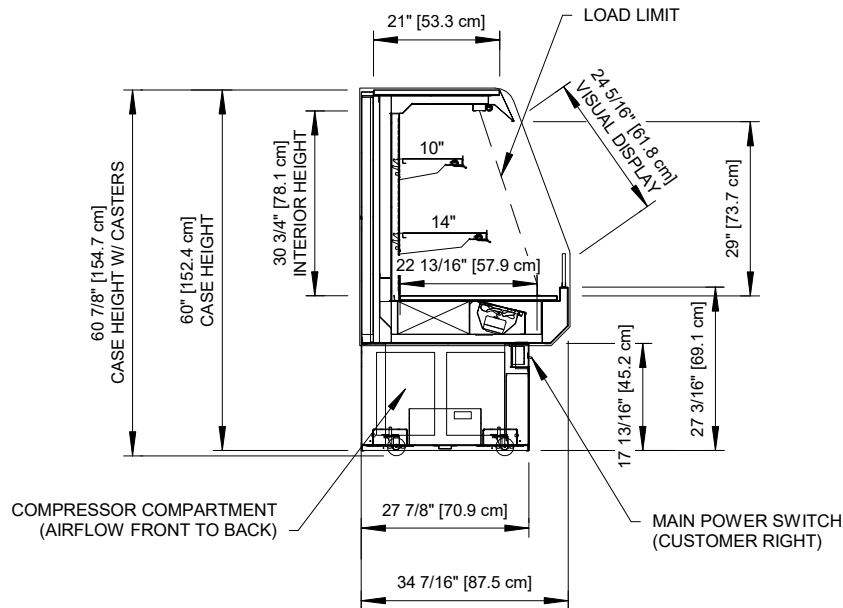
CF-SC (SFC)

Rev. Date	Rev. #	Rev. Title
08-24-21	3	ENDVIEW UPDATE
05-14-20	2	DATA UPDATE



CF-SC (SFC)

Self-Service Open Multi-Deck Merchandiser
3', 4', 5' & 6' (Bakery/Beverage/Dairy/Deli)



Intertek Intertek

ENGINEERED FOR STORES WITH AMBIENT CONDITIONS NOT TO EXCEED 75° AND 55% RELATIVE HUMIDITY. DUE TO ENGINEERING IMPROVEMENTS SPECIFICATIONS MAY CHANGE WITHOUT NOTICE. ALL MEASUREMENTS ARE TAKEN PER ASHRAE-72-2005 SPECIFICATIONS. HILLPHOENIX REFRIGERATED DISPLAY CASES FOR SALE IN THE UNITED STATES MEET OR EXCEED DEPARTMENT OF ENERGY 2017 REQUIREMENTS. NUMBERS ARE BASED ON STANDARD CASE SIZES. CONSULT ENGINEERING.

CF-SC (SFC)

Rev. Date	Rev. #	Rev. Title
08-24-21	3	ENDVIEW UPDATE
05-14-20	2	DATA UPDATE



a DOVER company