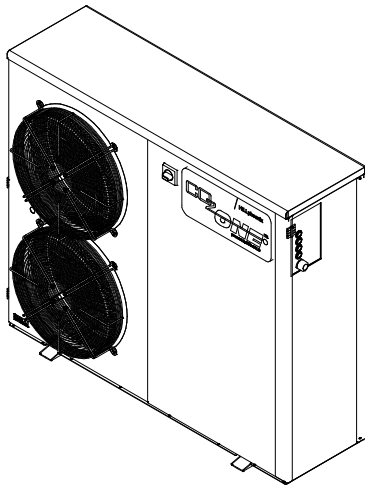


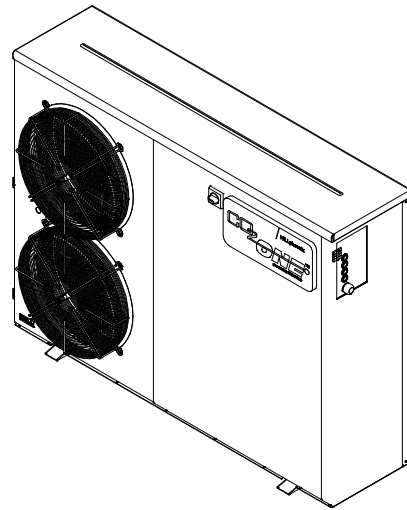
**GENERAL NOTES:**

- "---" indicates that the feature is not an option on this case model and/or the data is not yet available.

**MT MODEL**



**LT MODELS**



COMPONENT



ALL MEASUREMENTS ARE TAKEN PER ASHRAE-72 SPECIFICATIONS. HILLPHOENIX REFRIGERATED DISPLAY CASES FOR SALE IN THE UNITED STATES MEET OR EXCEED DEPARTMENT OF ENERGY REQUIREMENTS.

**CO<sub>2</sub>One**

Rev. Date	Rev. #	Rev. Title
6-24-21	1	DATA UPDATE
4-23-21	0	NEW STANDARD



Condensing Unit Model	Electrical Supply [V/Ph/Hz]	Full Load Amperage (FLA) [A]	Rated Load Amperage (RLA) [A]	Maximum Overcurrent Protection (MOPD) [A]	Minimum Current Ampacity (MCA) [A]	Nominal Power (Pn) [W]	Electrical Supply Requirement [VA]
CN030M145X0211	230/1/60	13.2	12.6	30.9	17.8	2605	5000
CN045M145X1211	230/1/60	18.1	16.9	42.0	23.9	3505	5000
CN067M145X0211	230/1/60	27.1	25.7	63.2	36.1	5310	7500
CN100M145X1212	460/3/60	16.1	13.9	38.4	22.3	8660	10000

### AMBIENT TEMPERATURE 105°F (Medium Temperature)

Model	Min/Max	10°F	15°F	20°F	25°F	30°F	35°F
CN030M145X0211	Max	6310	6910	7560	8250	8980	9750
CN030M145X0211	Min	1280	1440	1610	1790	1980	2190
CN045M145X1211	Max	9530	10440	11410	12450	13560	14720
CN045M145X1211	Min	1930	2170	2430	2700	2990	3310
CN067M145X0211	Max	13620	14930	16330	17820	19380	21030
CN067M145X0211	Min	3040	3380	3750	4140	4550	4990
CN100M145X1212	Max	19750	21310	22900	24540	26200	27890
CN100M145X1212	Min	4540	5050	5600	6180	6800	7450

### AMBIENT TEMPERATURE 95°F (Medium Temperature)

Model	Min/Max	10°F	15°F	20°F	25°F	30°F	35°F
CN030M145X0211	Max	7540	8210	8900	9640	10380	11130
CN030M145X0211	Min	1600	1780	1960	2160	2360	2580
CN045M145X1211	Max	11300	12250	13240	14280	15340	16440
CN045M145X1211	Min	2410	2680	2960	3260	3570	3890
CN067M145X0211	Max	16000	17330	18720	20150	21630	23150
CN067M145X0211	Min	3750	4140	4540	4970	5410	5860
CN100M145X1212	Max	23200	25100	27090	29140	31260	33430
CN100M145X1212	Min	5600	6180	6780	7410	8070	8750

### AMBIENT TEMPERATURE 90°F (Medium Temperature)

Model	Min/Max	10°F	15°F	20°F	25°F	30°F	35°F
CN030M145X0211	Max	8090	8800	9540	10280	11030	11790
CN030M145X0211	Min	1750	1940	2140	2340	2560	2790
CN045M145X1211	Max	12070	13050	14070	15120	16210	17320
CN045M145X1211	Min	2650	2930	3230	3540	3870	4210
CN067M145X0211	Max	17180	18570	20010	21490	23020	24570
CN067M145X0211	Min	4100	4510	4940	5390	5850	6330
CN100M145X1212	Max	24780	26750	28790	30890	33050	35250
CN100M145X1212	Min	6120	6730	7370	8040	8740	9450



COMPONENT



CO<sub>2</sub>One

ALL MEASUREMENTS ARE TAKEN PER ASHRAE-72 SPECIFICATIONS. HILLPHOENIX REFRIGERATED DISPLAY CASES FOR SALE IN THE UNITED STATES MEET OR EXCEED DEPARTMENT OF ENERGY REQUIREMENTS.

Rev. Date	Rev. #	Rev. Title
6-24-21	1	DATA UPDATE
4-23-21	0	NEW STANDARD



AMBIENT TEMPERATURE 85°F (Medium Temperature)							
Model	Min/Max	10°F	15°F	20°F	25°F	30°F	35°F
CN030M145X0211	Max	8490	9190	9910	10660	11430	12210
CN030M145X0211	Min	1920	2120	2330	2550	2780	3010
CN045M145X1211	Max	12520	13540	14590	15670	16790	17920
CN045M145X1211	Min	2890	3200	3510	3850	4190	4510
CN067M145X0211	Max	17870	19300	20780	22310	23880	25470
CN067M145X0211	Min	4480	4920	5380	5860	6340	6820
CN100M145X1212	Max	25760	27790	29890	32050	34250	36500
CN100M145X1212	Min	6680	7320	7970	8650	9340	10050

AMBIENT TEMPERATURE 75°F (Medium Temperature)							
Model	Min/Max	10°F	15°F	20°F	25°F	30°F	35°F
CN030M145X0211	Max	10270	11170	13630	14750	15910	17130
CN030M145X0211	Min	2470	2730	3400	3730	4070	4440
CN045M145X1211	Max	14890	16150	19780	21340	22970	24660
CN045M145X1211	Min	3700	4090	5080	5570	6080	6630
CN067M145X0211	Max	20240	22110	26610	28590	30640	32750
CN067M145X0211	Min	5620	6150	7800	8480	9200	9960
CN100M145X1212	Max	30210	33000	36380	39110	42440	45940
CN100M145X1212	Min	8280	9060	11350	12330	13360	14440

AMBIENT TEMPERATURE 65°F (Medium Temperature)							
Model	Min/Max	10°F	15°F	20°F	25°F	30°F	35°F
CN030M145X0211	Max	11560	12570	13630	14750	15910	17130
CN030M145X0211	Min	2800	3090	3400	3730	4070	4440
CN045M145X1211	Max	16850	18280	19780	21340	22970	24660
CN045M145X1211	Min	4190	4620	5080	5570	6080	6630
CN067M145X0211	Max	22870	24700	26610	28590	30640	32750
CN067M145X0211	Min	6550	7150	7800	8480	9200	9960
CN100M145X1212	Max	31590	33950	36380	39110	42440	45940
CN100M145X1212	Min	9550	10430	11350	12330	13360	14440

AMBIENT TEMPERATURE 60°F (Medium Temperature)							
Model	Min/Max	10°F	15°F	20°F	25°F	30°F	35°F
CN030M145X0211	Max	12150	13220	14340	15510	16740	18020
CN030M145X0211	Min	2950	3260	3580	3930	4290	4680
CN045M145X1211	Max	17760	19270	20860	22510	24230	26020
CN045M145X1211	Min	4420	4880	5360	5870	6410	6980
CN067M145X0211	Max	24180	26120	28140	30240	32410	34650
CN067M145X0211	Min	6970	7610	8290	9010	9760	10560
CN100M145X1212	Max	33560	36080	38680	41350	44080	46850
CN100M145X1212	Min	10190	11110	12080	13110	14190	15320

**NOTES:**

- Capacity @ Evaporating Temperature
- Min- capacity at minimum compressor speed -25rps
- Max- capacity at maximum compressor speed - 100rps



CO<sub>2</sub>One



ALL MEASUREMENTS ARE TAKEN PER ASHRAE-72 SPECIFICATIONS. HILLPHOENIX REFRIGERATED DISPLAY CASES FOR SALE IN THE UNITED STATES MEET OR EXCEED DEPARTMENT OF ENERGY REQUIREMENTS.

Rev. Date	Rev. #	Rev. Title
6-24-21	1	DATA UPDATE
4-23-21	0	NEW STANDARD

Condensing Unit Model	Electrical Supply [V/Ph/Hz]	Full Load Amperage (FLA) [A]	Rated Load Amperage (RLA) [A]	Maximum Overcurrent Protection (MOPD) [A]	Minimum Current Ampacity (MCA) [A]	Nominal Power (Pn) [W]	Electrical Supply Requirement [VA]
CN075L145X0211	230/1/60	30.8	29.6	51.6	34.9	6125	7500
CN112L245X1211	460/3/60	18.3	15.5	29.6	20.6	9680	12500
CN167L245X1211	460/3/60	26.0	22.3	43.4	29.5	13880	17500

### AMBIENT TEMPERATURE 105°F (Low Temperature)

Model	Min/Max	-35°F	-30°F	-25°F	-20°F	-15°F	-10°F
CN075L145X0211	Max	7990	9020	10120	11070	11050	11260
CN075L145X0211	Min	2640	2730	2740	2660	2750	2920
CN112L245X1211	Max	12990	14270	15660	16820	16730	16650
CN112L245X1211	Min	4250	4180	4190	4650	5140	5650
CN167L245X1211	Max	19390	21300	23370	24080	23850	23940
CN167L245X1211	Min	5950	6030	6260	6940	7670	8440

### AMBIENT TEMPERATURE 95°F (Low Temperature)

Model	Min/Max	-35°F	-30°F	-25°F	-20°F	-15°F	-10°F
CN075L145X0211	Max	7990	9020	10120	11300	12430	12510
CN075L145X0211	Min	3120	3040	3080	3150	3150	3060
CN112L245X1211	Max	12990	14270	15660	17170	18800	18920
CN112L245X1211	Min	4630	4740	4650	4650	5140	5650
CN167L245X1211	Max	19390	21300	23370	25620	26650	27000
CN167L245X1211	Min	6720	6660	6720	6940	7670	8440

### AMBIENT TEMPERATURE 90°F (Low Temperature)

Model	Min/Max	-35°F	-30°F	-25°F	-20°F	-15°F	-10°F
CN075L145X0211	Max	7990	9020	10120	11300	12560	13210
CN075L145X0211	Min	3320	3250	3310	3280	3290	3360
CN112L245X1211	Max	12990	14270	15660	17170	18800	19940
CN112L245X1211	Min	5020	5020	4960	4990	5140	5650
CN167L245X1211	Max	19390	21300	23370	25620	28050	28540
CN167L245X1211	Min	7110	7080	7170	7190	7670	8440

### AMBIENT TEMPERATURE 85°F (Low Temperature)

Model	Min/Max	-35°F	-30°F	-25°F	-20°F	-15°F	-10°F
CN075L145X0211	Max	7990	9020	10120	11300	12560	13900
CN075L145X0211	Min	3510	3570	3530	3520	3560	3500
CN112L245X1211	Max	12990	14270	15660	17170	18800	20560
CN112L245X1211	Min	5280	5300	5420	5320	5320	5650
CN167L245X1211	Max	19390	21300	23370	25620	28050	30380
CN167L245X1211	Min	7490	7490	7630	7690	7670	8440



COMPONENT



CO<sub>2</sub>One



ALL MEASUREMENTS ARE TAKEN PER ASHRAE-72 SPECIFICATIONS. HILLPHOENIX REFRIGERATED DISPLAY CASES FOR SALE IN THE UNITED STATES MEET OR EXCEED DEPARTMENT OF ENERGY REQUIREMENTS.

Rev. Date	Rev. #	Rev. Title
6-24-21	1	DATA UPDATE
4-23-21	0	NEW STANDARD

AMBIENT TEMPERATURE 75°F (Low Temperature)							
Model	Min/Max	-35°F	-30°F	-25°F	-20°F	-15°F	-10°F
CN075L145X0211	Max	7990	9020	10120	11300	12560	13900
CN075L145X0211	Min	4190	4300	4210	4260	4230	4240
CN112L245X1211	Max	12990	14270	15660	17170	18800	20560
CN112L245X1211	Min	6300	6420	6490	6490	6410	6450
CN167L245X1211	Max	19390	21300	23370	25620	28050	30690
CN167L245X1211	Min	9020	8960	9000	8940	9030	9030

AMBIENT TEMPERATURE 65°F (Low Temperature)							
Model	Min/Max	-35°F	-30°F	-25°F	-20°F	-15°F	-10°F
CN075L145X0211	Max	7990	9020	10120	11300	12560	13900
CN075L145X0211	Min	4780	4820	4900	4880	5030	4970
CN112L245X1211	Max	12990	14270	15660	17170	18800	20560
CN112L245X1211	Min	7330	7540	7400	7490	7510	7440
CN167L245X1211	Max	19390	21300	23370	25620	28050	30690
CN167L245X1211	Min	10560	10630	10820	10430	10390	10520

AMBIENT TEMPERATURE 60°F (Low Temperature)							
Model	Min/Max	-35°F	-30°F	-25°F	-20°F	-15°F	-10°F
CN075L145X0211	Max	7990	9020	10120	11300	12560	13900
CN075L145X0211	Min	5070	5140	5240	5250	5440	5410
CN112L245X1211	Max	12990	14270	15660	17170	18800	20560
CN112L245X1211	Min	7850	8100	8020	8160	7870	7840
CN167L245X1211	Max	19390	21300	23370	25620	28050	30690
CN167L245X1211	Min	10940	11050	11280	11180	11200	11110

**NOTES:**

- Capacity @ Evaporating Temperature
- Min- capacity at minimum compressor speed -25rps
- Max- capacity at maximum compressor speed - 100rps



COMPONENT



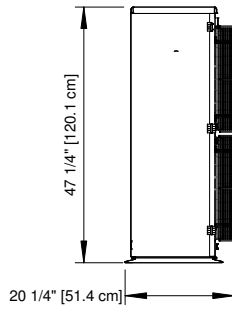
CO<sub>2</sub>One



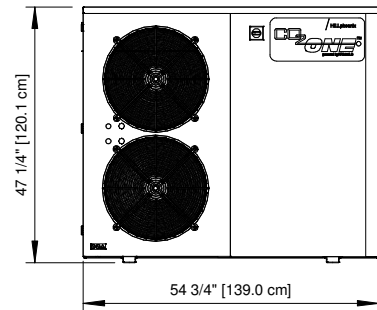
ALL MEASUREMENTS ARE TAKEN PER ASHRAE-72 SPECIFICATIONS. HILLPHOENIX REFRIGERATED DISPLAY CASES FOR SALE IN THE UNITED STATES MEET OR EXCEED DEPARTMENT OF ENERGY REQUIREMENTS.

Rev. Date	Rev. #	Rev. Title
6-24-21	1	DATA UPDATE
4-23-21	0	NEW STANDARD

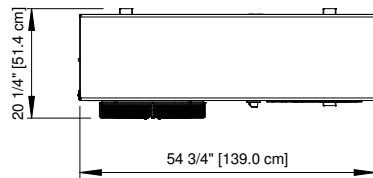
**Left View**



**Front View**



**Top View**



COMPONENT

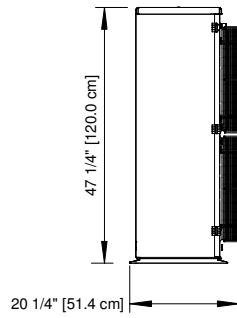
ALL MEASUREMENTS ARE TAKEN PER ASHRAE-72 SPECIFICATIONS. HILLPHOENIX REFRIGERATED DISPLAY CASES FOR SALE IN THE UNITED STATES MEET OR EXCEED DEPARTMENT OF ENERGY REQUIREMENTS.

**CO<sub>2</sub>One**

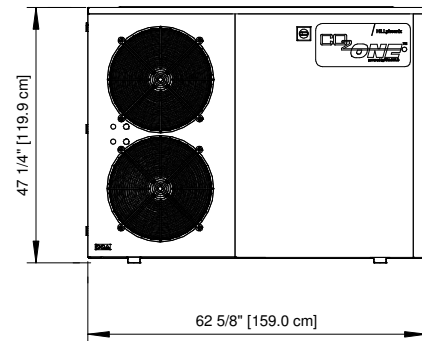
Rev. Date	Rev. #	Rev. Title
6-24-21	1	DATA UPDATE
4-23-21	0	NEW STANDARD



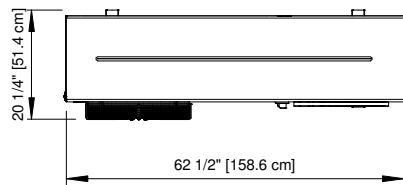
**Left View**



**Front View**



**Top View**



COMPONENT



ALL MEASUREMENTS ARE TAKEN PER ASHRAE-72 SPECIFICATIONS. HILLPHOENIX REFRIGERATED DISPLAY CASES FOR SALE IN THE UNITED STATES MEET OR EXCEED DEPARTMENT OF ENERGY REQUIREMENTS.

**CO<sub>2</sub>One**

Rev. Date	Rev. #	Rev. Title
6-24-21	1	DATA UPDATE
4-23-21	0	NEW STANDARD

