

REFERENCE NOTES FOR ENGINEERING DATA

- "0.00" indicates that data is not available yet
- Conventional Discharge Air Control – Recommended Settings: Cut-In Temp = Discharge Air + 2°F; Cut-Out Temp = Discharge Air - 2°F.
- Listed discharge air velocity represents the average velocity at the peak of defrost.
- Temperature and defrost settings listed below are recommended start-up settings. Final operational settings may need to be adjusted for the store conditions in which the case operates.
- The recommended evaporator temperatures may need to be adjusted based on system setup, store conditions, etc. The minimum recommended evaporator temperature is 4°F below the listed evaporator temperature.
- For Aftermarket accessories (including peg hooks) the use of 8 defrosts per day is recommended.

REFERENCE NOTES FOR CROSS SECTIONS

- * : STUB-UP AREA
- ** : RECOMMENDED STUB-UP CENTERLINE FOR ELECTRICAL AND HUB DRAINS
- Ends add approximately 1" to case height
- Wiring to the top adds approximately 4" to case height
- A 2" minimum air gap is required between the rear of the case and a wall
- Back panels add approximately 1" to the rear of the case
- Suction line 7/8",
- Liquid line with hot gas defrost 1/2"
- Available shelf sizes: 10", 12", 14", 16", 18", 20", 22".
- Dashed lines signify area inside the base rail behind kick plate
- Casters add approximately 2 1/4" to case height
- All measurements are taken per ASHRAE-72-2005 specifications. Hillphoenix refrigerated display cases for sale in the United States meet or exceed department of energy 2017 efficiency requirements.



ALL MEASUREMENTS ARE TAKEN PER ASHRAE-72-2005 SPECIFICATIONS. HILLPHOENIX REFRIGERATED DISPLAY CASES FOR SALE IN THE UNITED STATES MEET OR EXCEED DEPARTMENT OF ENERGY 2017 REQUIREMENTS.

6NDMLH-NRG

Rev Date:	Rev #	Revision Description:
10-13-17	1	DOE APPROVED

6NDMLH-NRG

Narrow Multi-Deck Merchandiser with Synerg-E™
4', 6', 8' & 12' (Beverage / Dairy / Deli / Produce)

ELECTRICAL DATA			
Case Length	Fans Per Case	High Efficiency Fans	
		120 Volts	
		Amps	Watts
4'	2	0.38	43.0
6'	3	0.57	65.0
8'	3	0.57	65.0
12'	4	0.76	87.0

LIGHTING DATA						
Case Length	Lights Per Row	Light Length	Clearvoyant LED Lighting (Per Light Row)			
			Standard Power (Cornice or Shelf)		High Power (Cornice)	
			120 Volts		120 Volts	
			Amps	Watts	Amps	Watts
4'	1	4'	0.10	11.9	0.18	21.5
6'	2	3'	0.14	16.6	0.25	29.8
8'	2	4'	0.20	23.8	0.36	43.0
12'	3	4'	0.30	35.7	0.54	64.5

GUIDELINES AND CONTROL SETTINGS						
Application	BTUH/ft		Superheat Set Point @ Bulb (°F)	Evaporator (°F)	Discharge Air (°F)	Discharge Air Velocity (FPM)
	Conventional	Parallel				
Dairy/Deli/Cut Produce	1862	1748	6-8 °F	28 °F	31 °F	260 FPM
Beverage/Bulk Produce	1860	1819	6-8 °F	34 °F	37 °F	260 FPM

DEFROST CONTROLS			
Application	Defrosts Per Day	Timed-Off Defrost	
		Fail-Safe (Min)	Termination Temp
Dairy/Deli/Cut Produce	6	45 (Min)	42 °F
Beverage/Bulk Produce	2	30 (Min)	42 °F



6NDMLH-NRG

ALL MEASUREMENTS ARE TAKEN PER ASHRAE-72-2005 SPECIFICATIONS. HILLPHOENIX REFRIGERATED DISPLAY CASES FOR SALE IN THE UNITED STATES MEET OR EXCEED DEPARTMENT OF ENERGY 2017 REQUIREMENTS.

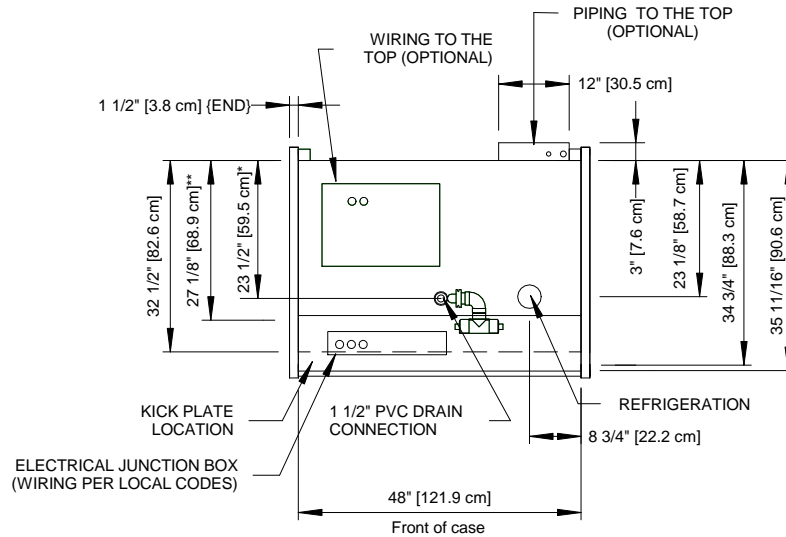
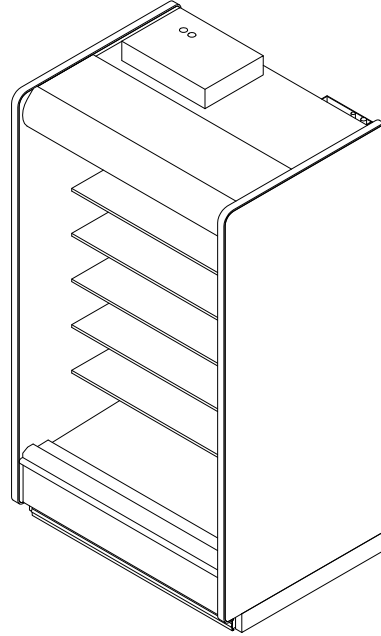
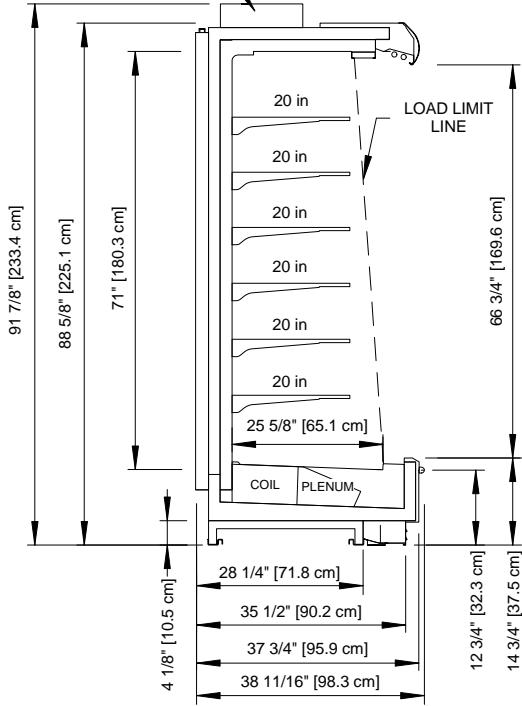
Rev Date:	Rev #	Revision Description:
10-13-17	1	DOE APPROVED



6NDMLH-NRG

Narrow Multi-Deck Merchandiser with Synerg-E™
4', 6', 8' & 12' (Beverage / Dairy / Deli / Produce)

OPTIONAL WIRING TO THE TOP
20 in X 14 in X 4 in



6NDMLH-NRG_4'

ALL MEASUREMENTS ARE TAKEN PER ASHRAE-72-2005 SPECIFICATIONS. HILLPHOENIX REFRIGERATED DISPLAY CASES FOR SALE IN THE UNITED STATES MEET OR EXCEED DEPARTMENT OF ENERGY 2017 REQUIREMENTS.

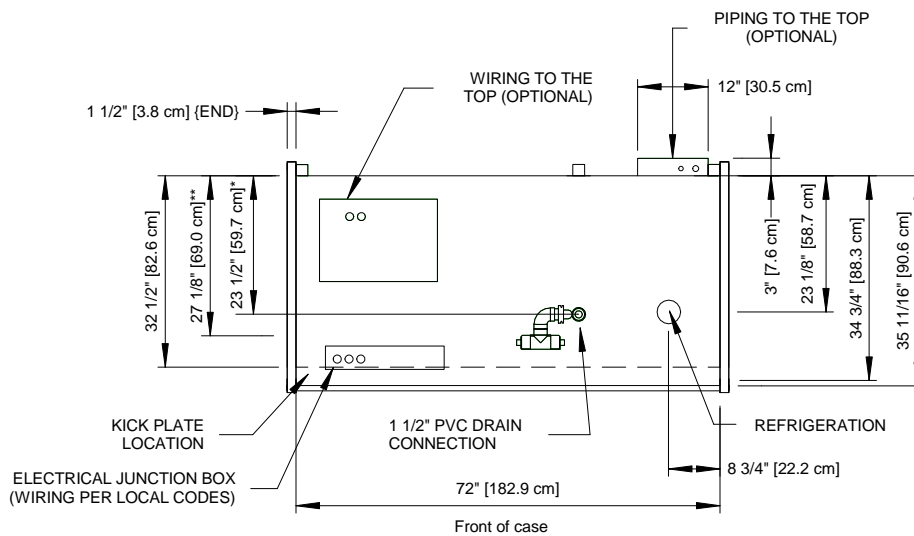
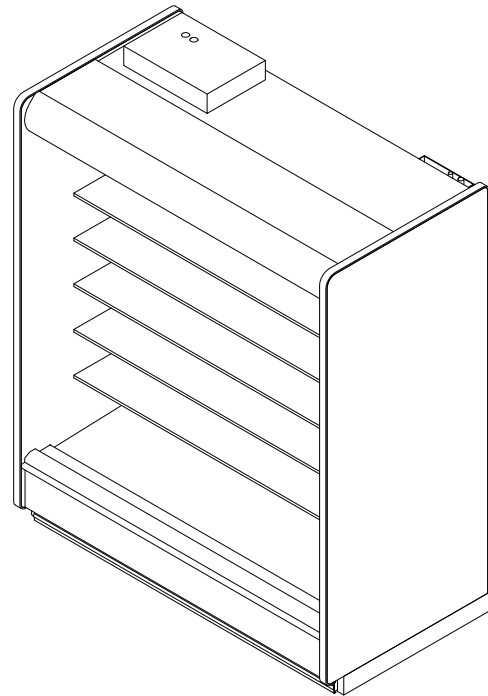
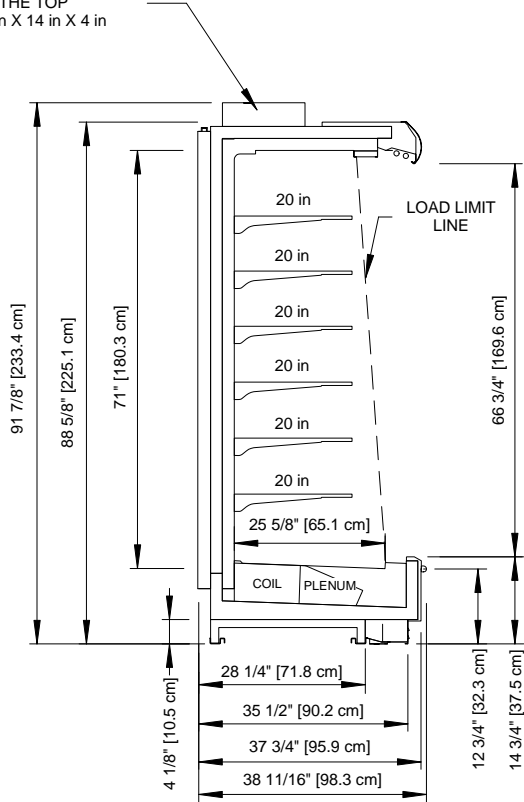
Rev Date:	Rev #	Revision Description:
10-13-17	1	DOE APPROVED



6NDMLH-NRG

Narrow Multi-Deck Merchandiser with Synerg-E™
4', 6', 8' & 12' (Beverage / Dairy / Deli / Produce)

OPTIONAL WIRING TO THE TOP
20 in X 14 in X 4 in



COMPONENT

ALL MEASUREMENTS ARE TAKEN PER ASHRAE-72-2005 SPECIFICATIONS. HILLPHOENIX REFRIGERATED DISPLAY CASES FOR SALE IN THE UNITED STATES MEET OR EXCEED DEPARTMENT OF ENERGY 2017 REQUIREMENTS.

6NDMLH-NRG_6'

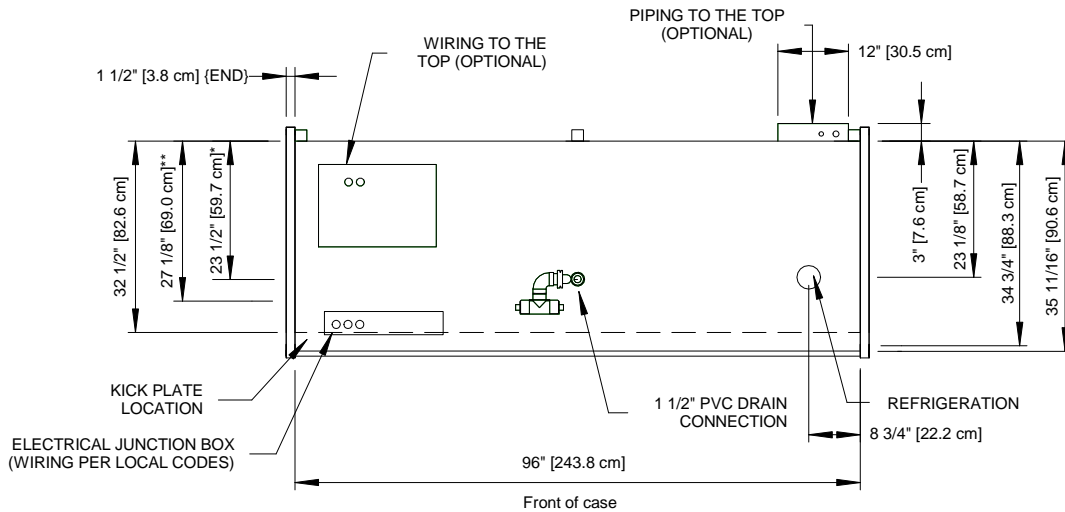
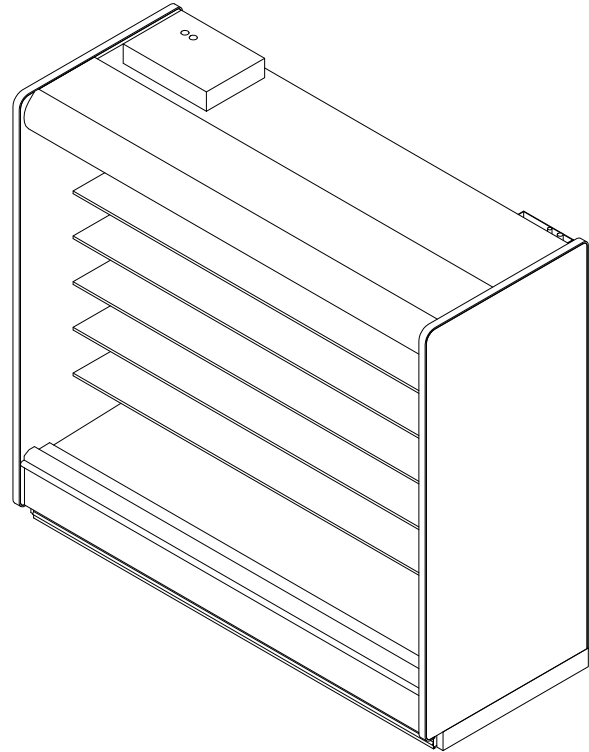
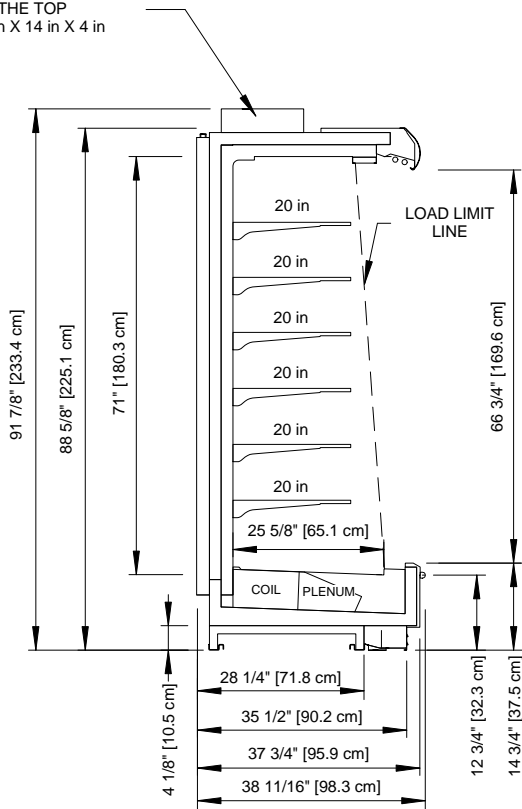
Rev Date:	Rev #	Revision Description:
10-13-17	1	DOE APPROVED



6NDMLH-NRG

Narrow Multi-Deck Merchandiser with Synerg-E™
4', 6', 8' & 12' (Beverage / Dairy / Deli / Produce)

OPTIONAL WIRING
TO THE TOP
20 in X 14 in X 4 in



2017
DOE
COMPLIANT



COMPONENT

ALL MEASUREMENTS ARE TAKEN PER ASHRAE-72-2005 SPECIFICATIONS. HILLPHOENIX REFRIGERATED DISPLAY CASES FOR SALE IN THE UNITED STATES MEET OR EXCEED DEPARTMENT OF ENERGY 2017 REQUIREMENTS.

6NDMLH-NRG_8'

Rev Date:	Rev #	Revision Description:
10-13-17	1	DOE APPROVED

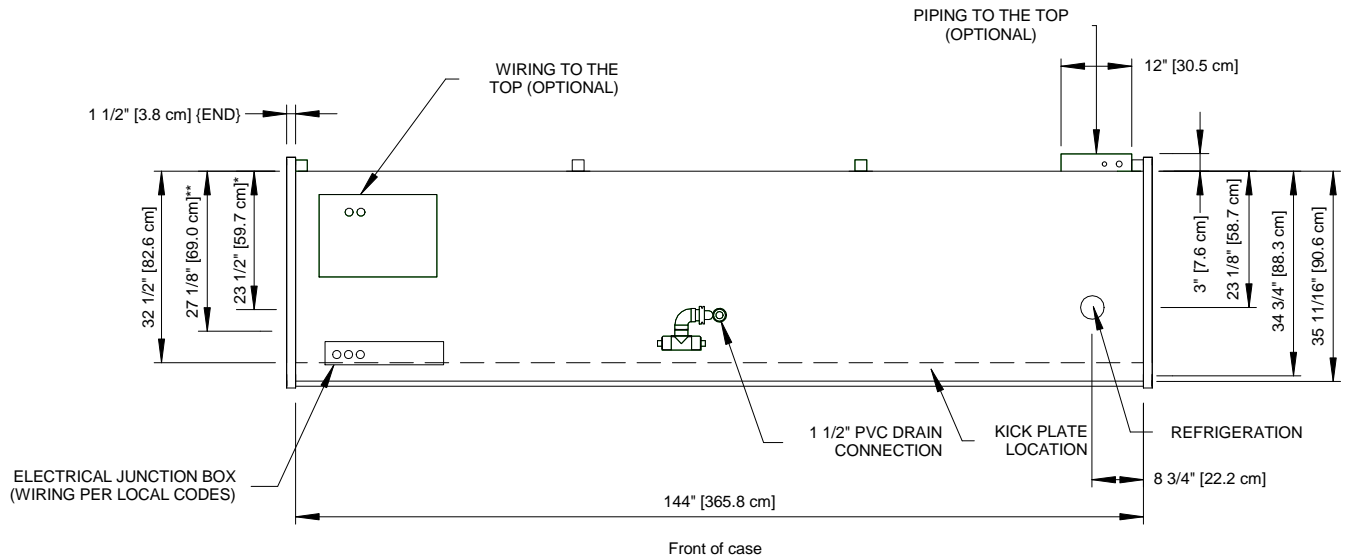
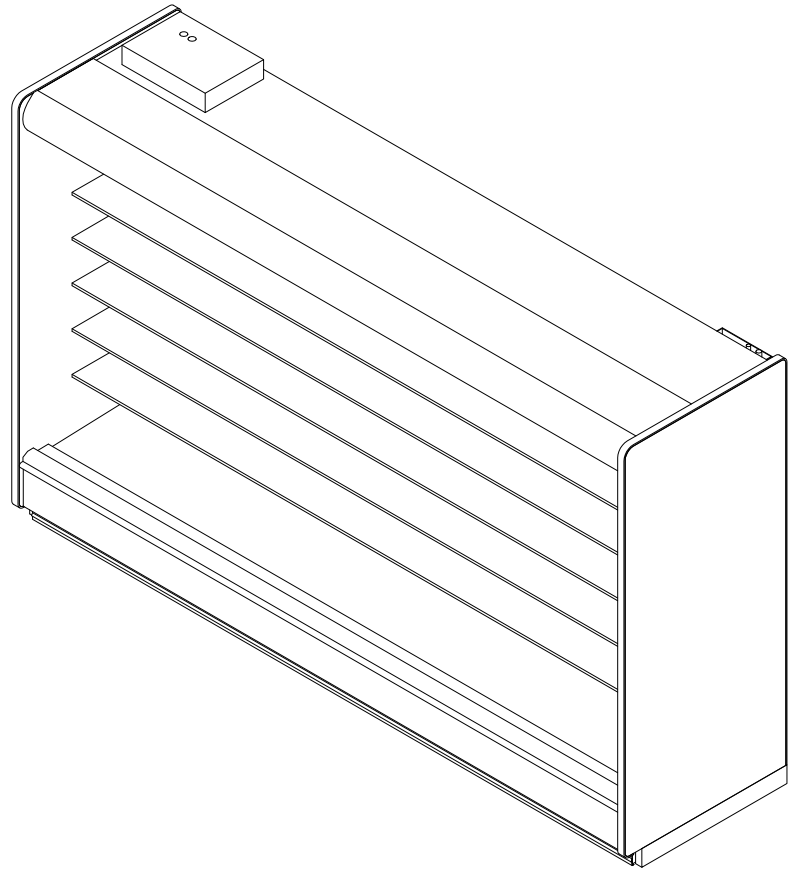
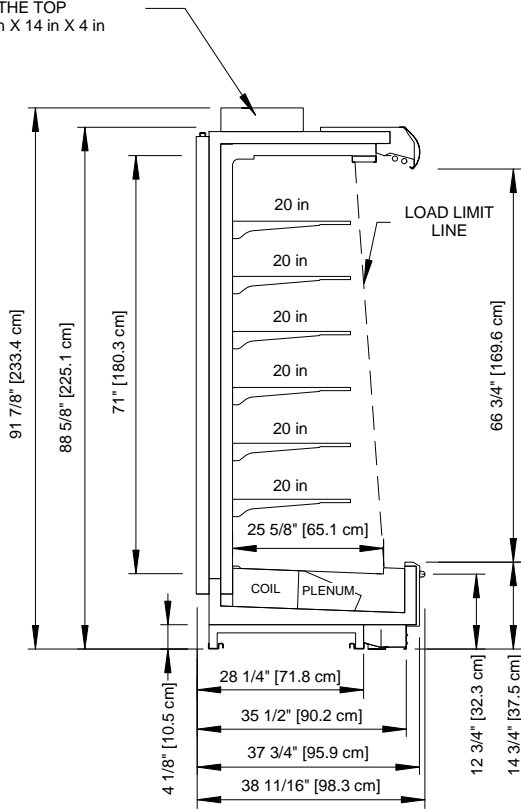
Hillphoenix

A DOVER COMPANY

6NDMLH-NRG

Narrow Multi-Deck Merchandiser with Synerg-E™
4', 6', 8' & 12' (Beverage / Dairy / Deli / Produce)

OPTIONAL WIRING
TO THE TOP
20 in X 14 in X 4 in



2017
DOE
COMPLIANT



COMPONENT

ALL MEASUREMENTS ARE TAKEN PER ASHRAE-72-2005 SPECIFICATIONS. HILLPHOENIX REFRIGERATED DISPLAY CASES FOR SALE IN THE UNITED STATES MEET OR EXCEED DEPARTMENT OF ENERGY 2017 REQUIREMENTS.

6NDMLH-NRG_12'

Rev Date:	Rev #	Revision Description:
10-13-17	1	DOE APPROVED

Hillphoenix

A DOVER COMPANY