

# O2IM

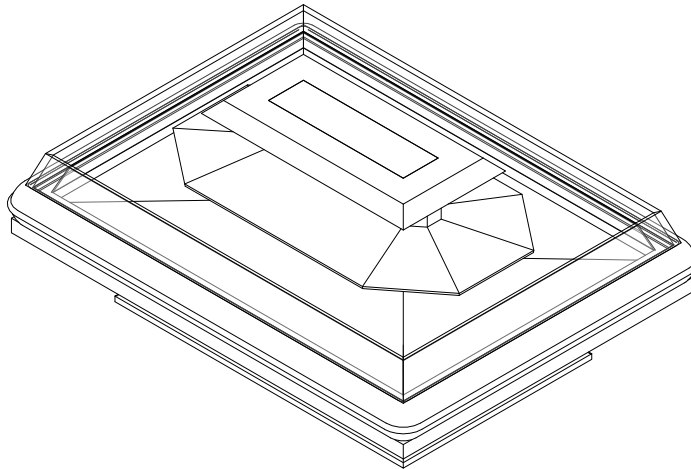
## Wide Multi-Deck Island Merchandiser 8' & 12' (Deli / Meat) Double Wrap Around Ends

### REFERENCE NOTES FOR ENGINEERING DATA:

- LED Lights Only
- Cornice lights are either standard or high output
- Shelf lights are standard output only
- Listed LED lighting values represent a full row of shelves (including wrap-around ends).
- BTUH/ft notes:
- Listed BTUH/ft data represents unlighted shelves. For LED lighting, add 9 BTUH/ft per row of lighted shelving.
- Load data represents the sum of both coils.
- Listed evaporator temperature represents unlighted shelves. For lighted shelves and/or aftermarket merchandising accessories, reduce the listed evaporator temperature by 2°F.
- BTUH load increases by 132 BTUH/ft when aftermarket merchandising accessories are utilized.
- Listed discharge air velocity represents the average velocity at the peak of defrost.
- Timed-Off defrost is only recommended at evaporator temperatures greater than 22°F.
- Temperature and defrost settings listed above are recommended start-up settings. Final operational settings may need to be adjusted for the store conditions in which the case operates.
- The recommended evaporator temperatures may need to be adjusted based on system setup, store conditions, etc. The minimum recommended evaporator temperature is 4°F below the listed evaporator temperature.

### REFERENCE NOTES FOR CROSS SECTIONS:

- \*\* STUB-UP AREA:
- Front and center sill heights vary with base frame height
- Suction Line - 7/8", liquid line - 3/8"
- Available shelf size: 10", 12", 14" & 16"
- Dashed line signifies area inside base rail behind kickplate



COMPONENT

O2IM

ALL MEASUREMENTS ARE TAKEN PER ASHRAE-72-2005 SPECIFICATIONS. HILLPHOENIX REFRIGERATED DISPLAY CASES FOR SALE IN THE UNITED STATES MEET OR EXCEED DEPARTMENT OF ENERGY 2017 EFFICIENCY REQUIREMENTS.

Rev Date:	Rev #	Revision Description:
4-11-17	1	DOE 2017

**Hillphoenix**

DAVIDSON COMPANY

# O2IM

Wide Multi-Deck Island Merchandiser  
8' & 12' (Deli / Meat) Double Wrap Around Ends

## ELECTRICAL DATA

Case Length	Fans Per Case	High-Efficiency Fans		Anti-Condensate Heaters		Defrost Heaters			
		120 Volts		120 Volts		208 Volts		240 Volts	
		Amps	Watts	Amps	Watts	Amps	Watts	Amps	Watts
8'	6	0.46	27.6	0.67	80.0	7.70	1600	8.88	2130
12'	8	0.61	36.8	1.06	126.9	11.54	2400	13.33	3200

## LIGHTING DATA

Case Length	Shelf Depth	Lights Per Row	Light Length	Clearvoyant v4 Lighting (Per Light Row)			
				Standard Power		High Power	
				Cornice or Shelf		Cornice Only	
				120 Volts		120 Volts	
				Amps	Watts	Amps	Watts
8'	Top Sill	4	2(2ft), 2(4ft)	0.15	17.9	0.38	45.4
8'	8"	4	2(0.5ft), 2(3ft)	0.10	11.5	0.00	0.00
8'	10",12",14",16"	4	2(1ft), 2(3ft)	0.11	13.2	0.00	0.00
12'	Top Sill	6	2(2ft), 2(4ft)	0.25	29.6	0.63	75.3
12'	8"	6	2(0.5ft), 4(3ft)	0.17	20.9	0.00	0.00
12'	10",12",14",16"	6	2(1ft), 4(3ft)	0.19	22.6	0.00	0.00

## GUIDLINES AND CONTROL SETTINGS

Application	BTUH/ft		Superheat Set Point @ Bulb (°F)	Evaporator (°F)	Discharge Air (°F)	Discharge Air Velocity (FPM)
	Conventional	Parallel				
Meat	1382	1248	6 - 8	17	26	270
Deli	1287	1162	6 - 8	22	30	270

## DEFROST CONTROLS

Defrosts Per Day	Run-Off Time (Min)	Electric Defrost		Timed-Off Defrost		Hot Gas Defrost	
		Fail-Safe (Min)	Termination Temp (°F)	Fail-Safe (Min)	Termination Temp (°F)	Fail-Safe (Min)	Termination Temp (°F)
4	6 - 8	30	47	45	45	26	45



COMPONENT

O2IM

ALL MEASUREMENTS ARE TAKEN PER ASHRAE-72-2005 SPECIFICATIONS. HILLPHOENIX REFRIGERATED DISPLAY CASES FOR SALE IN THE UNITED STATES MEET OR EXCEED DEPARTMENT OF ENERGY 2017 EFFICIENCY REQUIREMENTS.

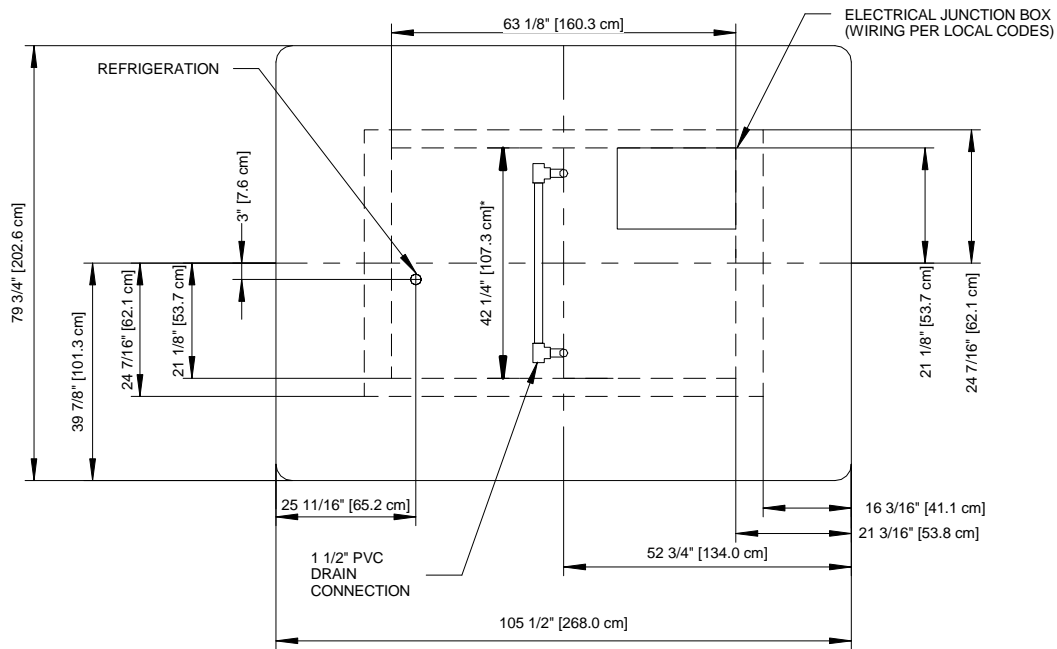
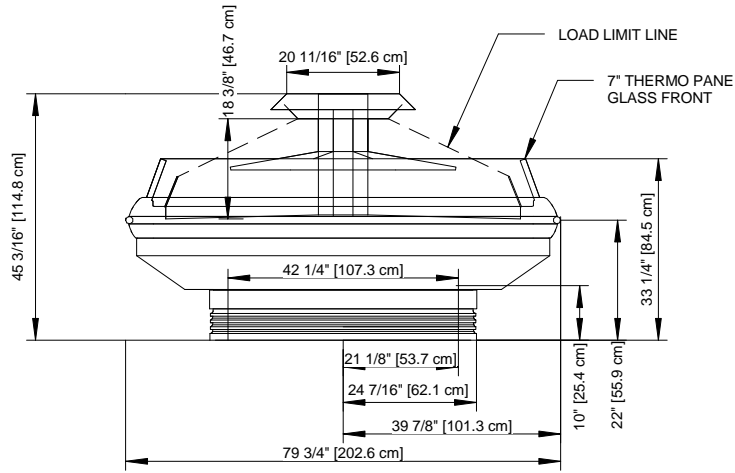
Rev Date:	Rev #	Revision Description:
4-11-17	1	DOE 2017

**Hillphoenix**

DAVIDSON COMPANY

# O2IM

## Wide Multi-Deck Island Merchandiser 8' & 12' (Deli / Meat) Double Wrap Around Ends



COMPONENT

### O2IM 8' 1-2

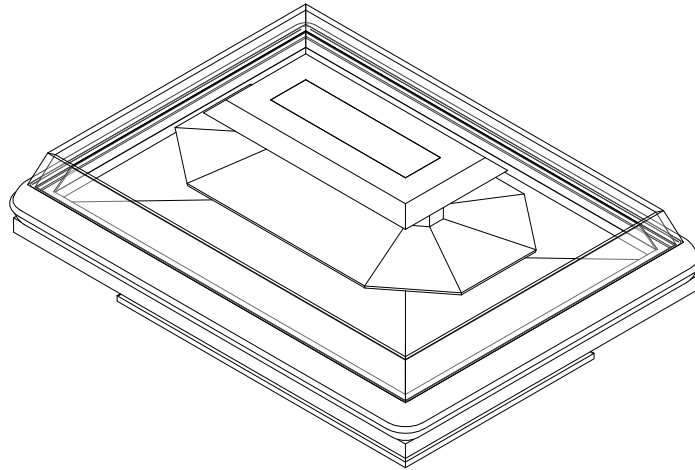
ALL MEASUREMENTS ARE TAKEN PER ASHRAE-72-2005 SPECIFICATIONS. HILLPHOENIX REFRIGERATED DISPLAY CASES FOR SALE IN THE UNITED STATES MEET OR EXCEED DEPARTMENT OF ENERGY 2017 EFFICIENCY REQUIREMENTS.

Rev Date:	Rev #	Revision Description:
4-11-17	1	DOE 2017



# O2IM

Wide Multi-Deck Island Merchandiser  
8' & 12' (Deli / Meat) Double Wrap Around Ends



COMPONENT

## O2IM 8' 2-2

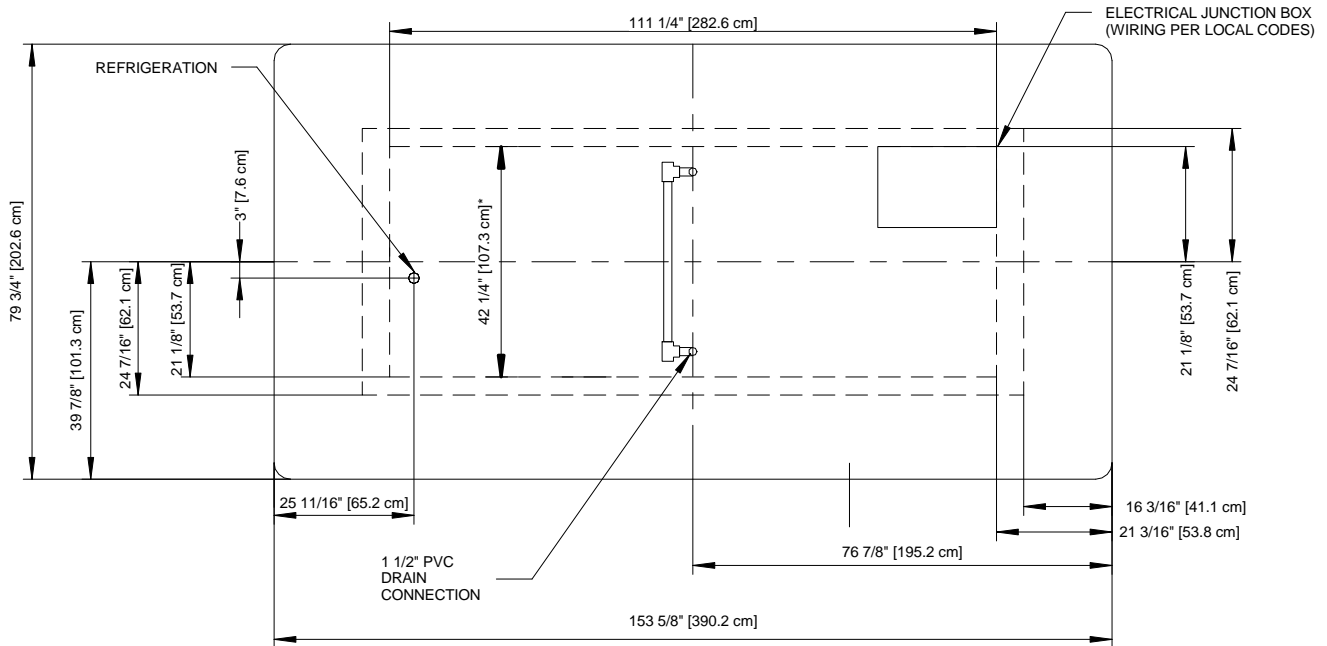
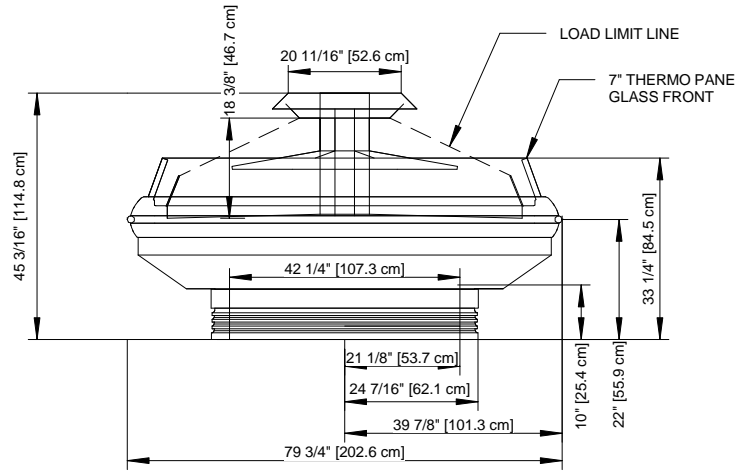
ALL MEASUREMENTS ARE TAKEN PER ASHRAE-72-2005 SPECIFICATIONS. HILLPHOENIX REFRIGERATED DISPLAY CASES FOR SALE IN THE UNITED STATES MEET OR EXCEED DEPARTMENT OF ENERGY 2017 EFFICIENCY REQUIREMENTS.

Rev Date:	Rev #	Revision Description:
4-11-17	1	DOE 2017

**Hillphoenix**  
A DOWER COMPANY

# O2IM

## Wide Multi-Deck Island Merchandiser 8' & 12' (Deli / Meat) Double Wrap Around Ends



COMPONENT

ALL MEASUREMENTS ARE TAKEN PER ASHRAE-72-2005 SPECIFICATIONS. HILLPHOENIX REFRIGERATED DISPLAY CASES FOR SALE IN THE UNITED STATES MEET OR EXCEED DEPARTMENT OF ENERGY 2017 EFFICIENCY REQUIREMENTS.

### O2IM 12' 1-2

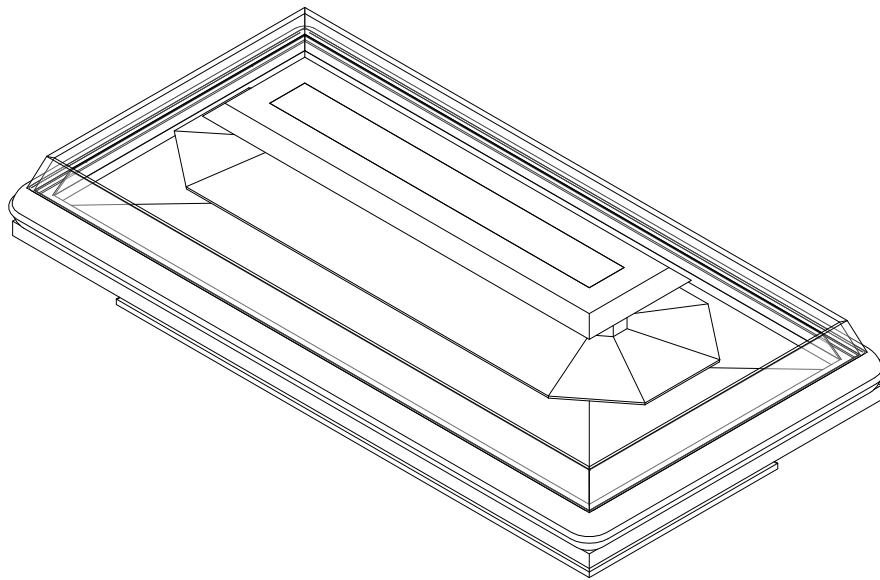
Rev Date:	Rev #	Revision Description:
4-11-17	1	DOE 2017



A DOWER COMPANY

# O2IM

Wide Multi-Deck Island Merchandiser  
8' & 12' (Deli / Meat) Double Wrap Around Ends



COMPONENT

ALL MEASUREMENTS ARE TAKEN PER ASHRAE-72-2005 SPECIFICATIONS. HILLPHOENIX REFRIGERATED DISPLAY CASES FOR SALE IN THE UNITED STATES MEET OR EXCEED DEPARTMENT OF ENERGY 2017 EFFICIENCY REQUIREMENTS.

## O2IM 12' 2-2

Rev Date:	Rev #	Revision Description:
4-11-17	1	DOE 2017

**Hillphoenix**

A DOWER COMPANY