

**ENGINEERING REFERENCE SHEET NOTE:**

- "0.00" indicates the feature is not an option for this case model
- LED lights only
- Conice lights are either standard or high out put
- Shelf lights are standard output only
- Listed LED lighting values represent a full row of shelves (including wrap-around ends).
- BTUH/ft notes:
- Listed BTUH/ft data represent unlighted shelves. For LED lighting, add 9 BTUH/ft per row of lighted shelving.
- Load data represents the sum of both coils.
- Listed evaporator temperature represents unlighted shelves. For lighted shelves and/or aftermarket merchandising accessories, reduce the listed evaporator temperature by 2°F.
- BTUH load increases by 132 BTUH/ft when aftermarket merchandising accessories are utilized.
- Listed discharge air velocity represents the average velocity at the peak of defrost.
- Timed-off defrost is only recommended when an enhanced efficiency coil with a 22°F evaporator is used.
- Temperature and defrost settings listed below are recommended start-up settings. Final operational settings may need to be adjusted for the store conditions in which the case operates.
- The recommended evaporator temperatures may need to be adjusted based on system setup, store conditions, etc. The minimum recommended evaporator temperature is 4°F below the listed evaporator temperature.

**REFERENCE NOTES FOR CROSS SECTIONS:**

\* : STUB-UP AREA

- Front and center sill heights vary with base frame height
- Suction Line - 7/8", Liquid Line - 3/8"
- Available shelf sizes: 8", 10" & 12"
- Dashed lines signify area inside base rail behind kickplate.
- Casters add approximately 2 1/4" to case height



ALL MEASUREMENTS ARE TAKEN PER ASHRAE-72-2005 SPECIFICATIONS. HILLPHOENIX REFRIGERATED DISPLAY CASES FOR SALE IN THE UNITED STATES MEET OR EXCEED DEPARTMENT OF ENERGY 2017 REQUIREMENTS.

**ON3IM**

Rev Date:	Rev #	Revision Description:
4-6-2017	1	DOE 2017



ELECTRICAL DATA									
Case Length	Fans Per Case	High Efficiency Fans		Anti-Condensate Heaters		Defrost Heaters			
		120 Volts		120 Volts		208 Volts		240 Volts	
		Amps	Watts	Amps	Watts	Amps	Watts	Amps	Watts
8'	6	0.46	27.6	0.67	80.0	7.70	1600	8.88	2130
12'	8	0.62	36.8	1.06	127.0	11.54	2400	13.32	3200

LIGHTING DATA							
Case Length	Shelf Depth	Lights Per Row	Light Length	Clearvoyant v4 LED Lighting (Per Light Row)			
				Standard Power (Cornice Or Shelf)		High Power (Cornice)	
				120 Volts		120 Volts	
				Amps	Watts	Amps	Watts
8'	Top Sill	4	2 (2ft), 2 (4ft)	0.15	17.9	0.38	45.4
8'	8"	4	2 (0.5ft), 2 (3ft)	0.10	11.5	0.00	0.00
8'	10",12",14",16"	4	2 (0.5ft), 4 (3ft)	0.10	11.5	0.00	0.00
12'	Top Sill	6	2 (2ft), 4 (4ft)	0.25	29.6	0.63	75.3
12'	8"	6	2 (0.5ft), 4 (3ft)	0.17	20.9	0.00	0.00
12'	10",12",14",16"	6	2 (0.5ft), 4 (3ft)	0.17	20.9	0.00	0.00

GUIDLINES AND CONTROL SETTINGS						
Application	BTUH/ft		Super Heat Set Point @ Bulb (°F)	Evaporator (°F)	Discharge Air (°F)	Discharge Air Velocity (FPM)
	Conventional	Parallel				
Meat	1306	1179	6 - 8	17	26	270
Deli	1191	1075	6 - 8	22	30	270

DEFROST CONTROLS							
Defrosts Per Day	Run-Off Time (Min)	Electric Defrost		Timed-Off Defrost		Hot Gas Defrost	
		Fail-Safe (Min)	Termination Temp (°F)	Fail-Safe (Min)	Termination Temp (°F)	Fail-Safe (Min)	Termination Temp (°F)
4	6 - 8	30	47	45	45	26	45



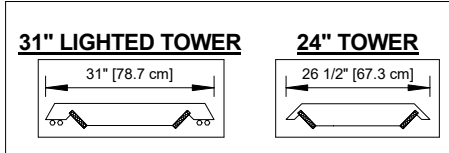
ALL MEASUREMENTS ARE TAKEN PER ASHRAE-72-2005 SPECIFICATIONS. HILLPHOENIX REFRIGERATED DISPLAY CASES FOR SALE IN THE UNITED STATES MEET OR EXCEED DEPARTMENT OF ENERGY 2017 REQUIREMENTS.

## ON3IM

Rev Date:	Rev #	Revision Description:
4-6-2017	1	DOE 2017



## CENTER SILL OPTIONS

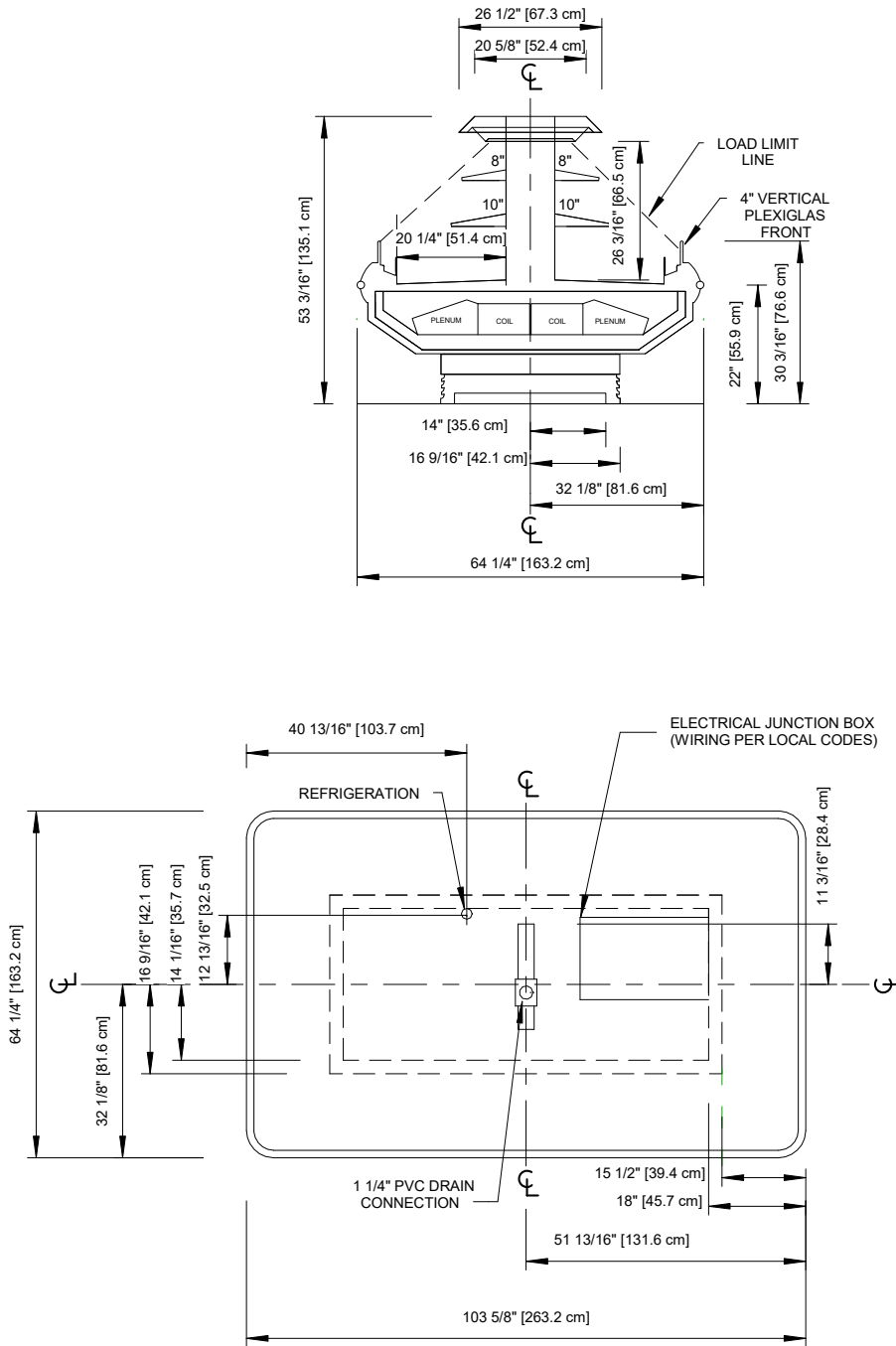


2017 DOE COMPLIANT COMPONENT  
ALL MEASUREMENTS ARE TAKEN PER ASHRAE-72-2005 SPECIFICATIONS. HILLPHOENIX REFRIGERATED DISPLAY CASES FOR SALE IN THE UNITED STATES MEET OR EXCEED DEPARTMENT OF ENERGY 2017 REQUIREMENTS.

### ON3IM

Rev Date:	Rev #	Revision Description:
9-27-17	1	DOE 2017

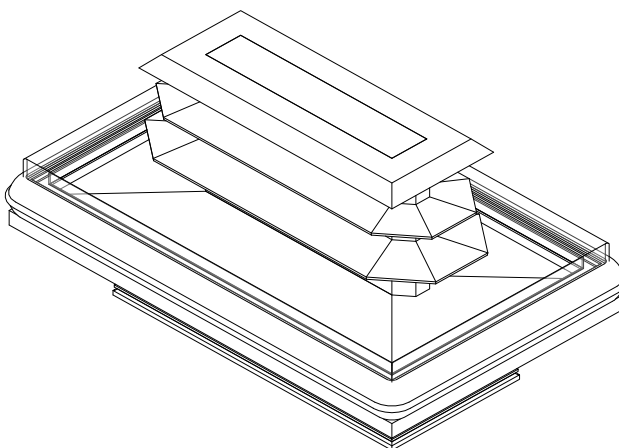




ALL MEASUREMENTS ARE TAKEN PER ASHRAE-72-2005 SPECIFICATIONS. HILLPHOENIX REFRIGERATED DISPLAY CASES FOR SALE IN THE UNITED STATES MEET OR EXCEED DEPARTMENT OF ENERGY 2017 REQUIREMENTS.

## ON3IM 8' 1-2

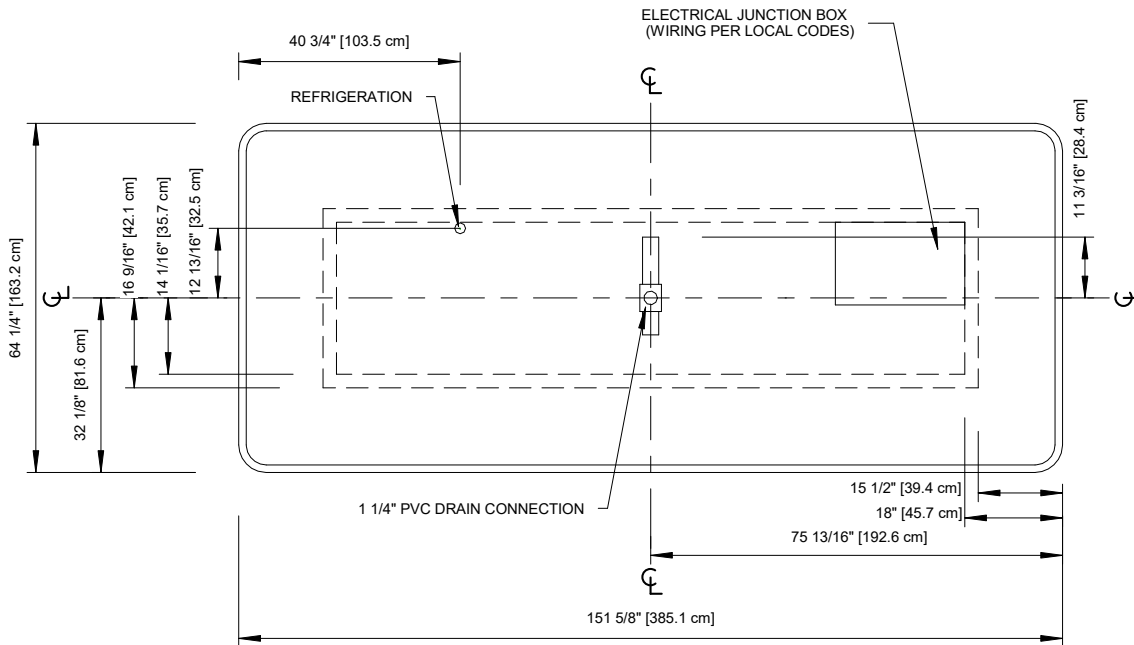
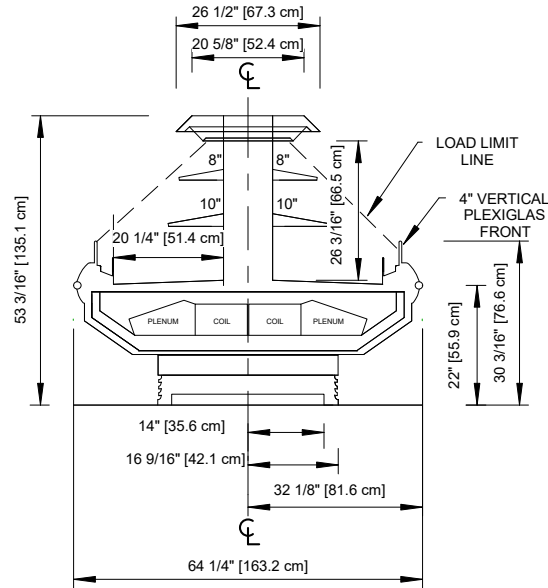
Rev Date:	Rev #	Revision Description:
4-6-2017	1	DOE 2017



ALL MEASUREMENTS ARE TAKEN PER ASHRAE-72-2005 SPECIFICATIONS. HILLPHOENIX REFRIGERATED DISPLAY CASES FOR SALE IN THE UNITED STATES MEET OR EXCEED DEPARTMENT OF ENERGY 2017 REQUIREMENTS.

## ON3IM 8' 2-2

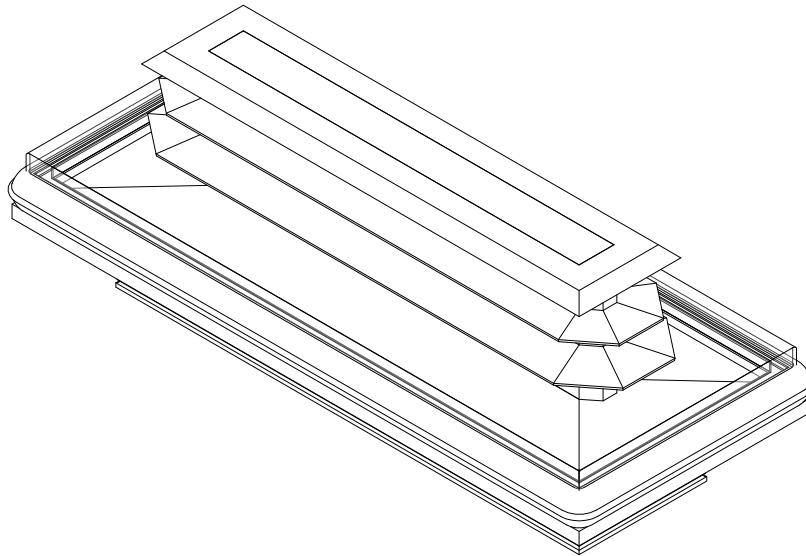
Rev Date:	Rev #	Revision Description:
4-6-2017	1	DOE 2017



ALL MEASUREMENTS ARE TAKEN PER ASHRAE-72-2005 SPECIFICATIONS. HILLPHOENIX REFRIGERATED DISPLAY CASES FOR SALE IN THE UNITED STATES MEET OR EXCEED DEPARTMENT OF ENERGY 2017 REQUIREMENTS.

## ON3IM 12' 1-2

Rev Date:	Rev #	Revision Description:
4-6-2017	1	DOE 2017



ALL MEASUREMENTS ARE TAKEN PER ASHRAE-72-2005 SPECIFICATIONS. HILLPHOENIX REFRIGERATED DISPLAY CASES FOR SALE IN THE UNITED STATES MEET OR EXCEED DEPARTMENT OF ENERGY 2017 REQUIREMENTS.

## ON3IM 12' 2-2

Rev Date:	Rev #	Revision Description:
4-6-2017	1	DOE 2017