

O4IDB

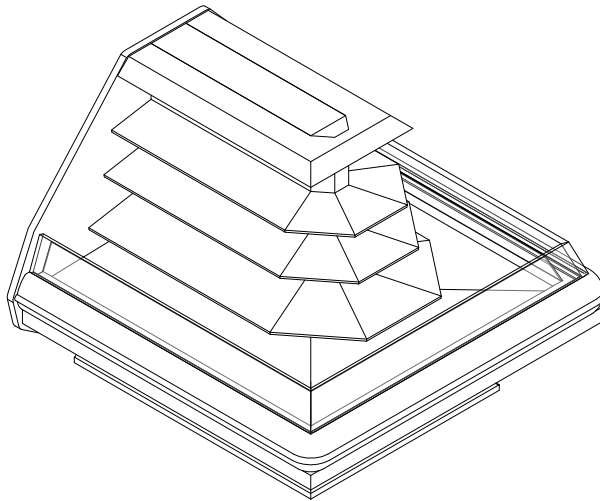
Wide Multi-Deck Island Merchandiser 6', 8', 12' (Deli / Meat) Single Wrap-Around End

REFERENCE NOTES FOR ENGINEERING DATA:

- LED Lights Only
- Cornice lights are either standard or high output
- Shelf lights are standard output only
- Listed LED lighting values represent a full row of shelves (including wrap-around ends).
- BTUH/ft notes:
- Listed BTUH/ft data represents unlighted shelves. For LED lighting, add 9 BTUH/ft per row of lighted shelving.
- Load data represents the sum of both coils.
- Listed evaporator temperature represents unlighted shelves. For lighted shelves and/or aftermarket merchandising accessories, reduce the listed evaporator temperature by 2°F.
- BTUH load increases by 132 BTUH/ft when aftermarket merchandising accessories are utilized.
- Listed discharge air velocity represents the average velocity at the peak of defrost.
- Timed-Off defrost is only recommended at evaporator temperatures greater than 22°F.
- Temperature and defrost settings listed above are recommended start-up settings. Final operational settings may need to be adjusted for the store conditions in which the case operates.
- The recommended evaporator temperatures may need to be adjusted based on system setup, store conditions, etc. The minimum recommended evaporator temperature is 4°F below the listed evaporator temperature.
- *0.00 indicates that the feature is not an option on this case model

REFERENCE NOTES FOR CROSS SECTIONS:

- STUB-UP AREA
- Front and center sill heights vary with base frame height
- Suction Line - 7/8", liquid line - 3/8"
- Available shelf sizes: 10", 12", 14" & 16"
- Dashed lines signify area inside base rail behind kickplate



COMPONENT

O4IDB

ALL MEASUREMENTS ARE TAKEN PER ASHRAE-72-2005 SPECIFICATIONS. HILLPHOENIX REFRIGERATED DISPLAY CASES FOR SALE IN THE UNITED STATES MEET OR EXCEED DEPARTMENT OF ENERGY 2017 EFFICIENCY REQUIREMENTS.

Rev Date:	Rev #	Revision Description:
4-11-17	1	DOE 2017

Hillphoenix

DAVIDSON COMPANY

O4IDB

Wide Multi-Deck Island Merchandiser
6', 8', 12' (Deli / Meat) Single Wrap-Around End

ELECTRICAL DATA

Case Length	Fans Per Case	High Efficiency Fans		Anti Condensate Heaters		Defrost Heaters			
		120 Volts		120 Volts		Standard Power (Cornice or Shelf)		High Power (Cornice)	
		Amps	Watts	Amps	Watts	Amps	Watts	Amps	Watts
6'	4	0.47	28.0	0.63	76.0	5.77	1200	6.66	1596
8'	6	0.70	42.0	0.88	106.0	7.70	1600	8.88	2130
12'	8	0.94	56.0	1.24	149.0	11.54	2400	13.2	3200

LIGHTING DATA

Case End	Shelf Depth	Lights Per Row	Light Length	CL4 LED Lighting (Per Light Row)			
				Standard Power		High Power Power	
				Cornice or Shelf		Cornice Only	
				120 Volts		120 Volts	
				Amps	Watts	Amps	Watts
6' Single Butt	Top Sill	3	1 (2ft), 2 (4ft)	0.12	14.8	0.31	37.6
6' Single Butt	8"	3	1 (0.5ft), 2 (3ft)	0.09	10.5	0.00	0.00
6' Single Butt	10",12",14",16"	3	1 (1ft), 2 (3ft)	0.09	11.3	0.00	0.00
8' Single Butt	Top Sill	5	1 (2ft), 4 (3ft)	0.22	26.6	0.56	67.5
8' Single Butt	8"	3	1 (0.5ft), 2 (5ft)	0.13	16.1	0.00	0.00
8' Single Butt	10",12",14",16"	3	1 (1ft), 2 (5ft)	0.14	16.9	0.00	0.00
12' Single Butt	Top Sill	7	1 (2ft), 6 (3ft)	0.32	38.4	0.81	97.4
12' Single Butt	8"	5	1 (0.5ft), 2 (4ft), 2 (5ft)	0.23	27.9	0.00	0.00
12' Single Butt	10",12",14",16"	5	1 (1ft), 2 (4ft), 2 (5ft)	0.24	28.7	0.00	0.00

GUIDELINES AND CONTROL SETTING

Application	BTUH/ft		Super Heat Set Point @ bulb (°F)	Evaporator (°F)	Discharge Air (°F)	Discharge Air Velocity (FPM)
	Conventional	Parallel				
Meat	2024	1827	6 - 8	17	25	130
Deli	1882	1699	6 - 8	22	28	130

DEFROST CONTROLS

Defrost Per Day	Run-Off Time (Min)	Electrical Defrost		Timed - Off Defrost		Hot Gas Defrost	
		Fail-Safe (Min)	Termination Temp (°F)	Fail-Safe (Min)	Termination Temp (°F)	Fail-Safe (Min)	Termination Temp (°F)
4	6 - 8	30	47	45	45	26	45



COMPONENT

O4IDB

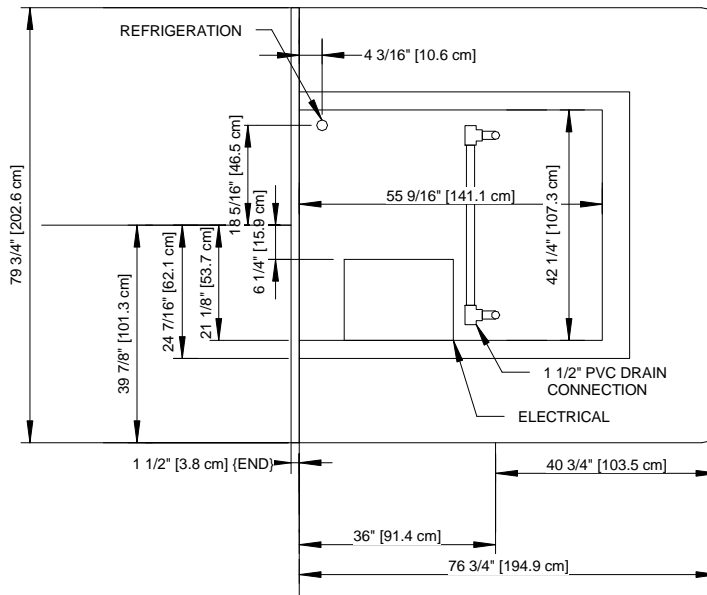
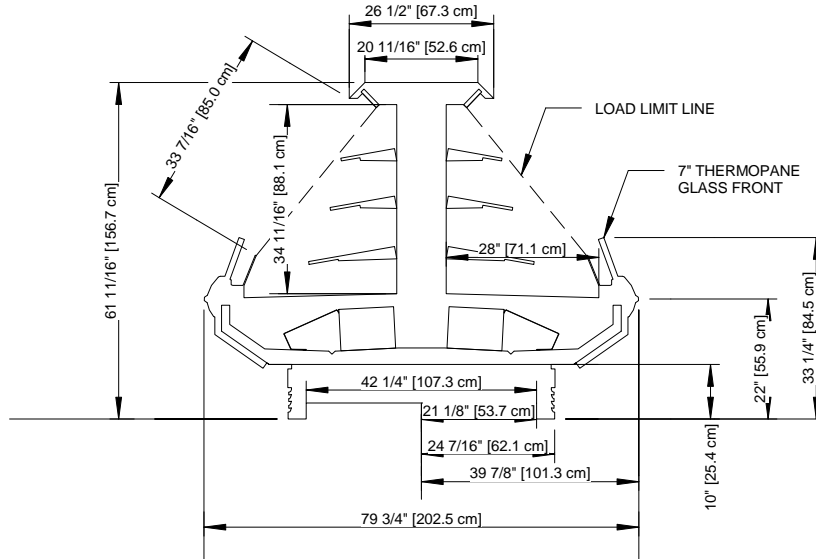
ALL MEASUREMENTS ARE TAKEN PER ASHRAE-72-2005 SPECIFICATIONS. HILLPHOENIX REFRIGERATED DISPLAY CASES FOR SALE IN THE UNITED STATES MEET OR EXCEED DEPARTMENT OF ENERGY 2017 EFFICIENCY REQUIREMENTS.

Rev Date:	Rev #	Revision Description:
4-11-17	1	DOE 2017

Hillphoenix
A DOWER COMPANY

O4IDB

Wide Multi-Deck Island Merchandiser 6', 8', 12' (Deli / Meat) Single Wrap-Around End



COMPONENT

ALL MEASUREMENTS ARE TAKEN PER ASHRAE-72-2005 SPECIFICATIONS. HILLPHOENIX REFRIGERATED DISPLAY CASES FOR SALE IN THE UNITED STATES MEET OR EXCEED DEPARTMENT OF ENERGY 2017 EFFICIENCY REQUIREMENTS.

O4IDB 6' 1-2

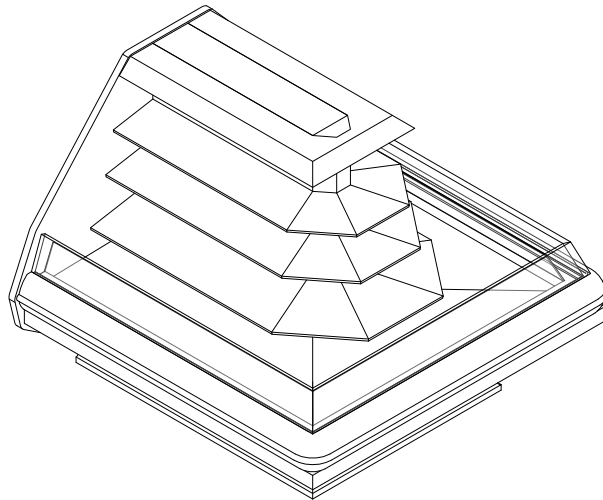
Rev Date:	Rev #	Revision Description:
4-11-17	1	DOE 2017

Hillphoenix

A DOWER COMPANY

O4IDB

Wide Multi-Deck Island Merchandiser
6', 8', 12' (Deli / Meat) Single Wrap-Around End



COMPONENT

ALL MEASUREMENTS ARE TAKEN PER ASHRAE-72-2005 SPECIFICATIONS. HILLPHOENIX REFRIGERATED DISPLAY CASES FOR SALE IN THE UNITED STATES MEET OR EXCEED DEPARTMENT OF ENERGY 2017 EFFICIENCY REQUIREMENTS.

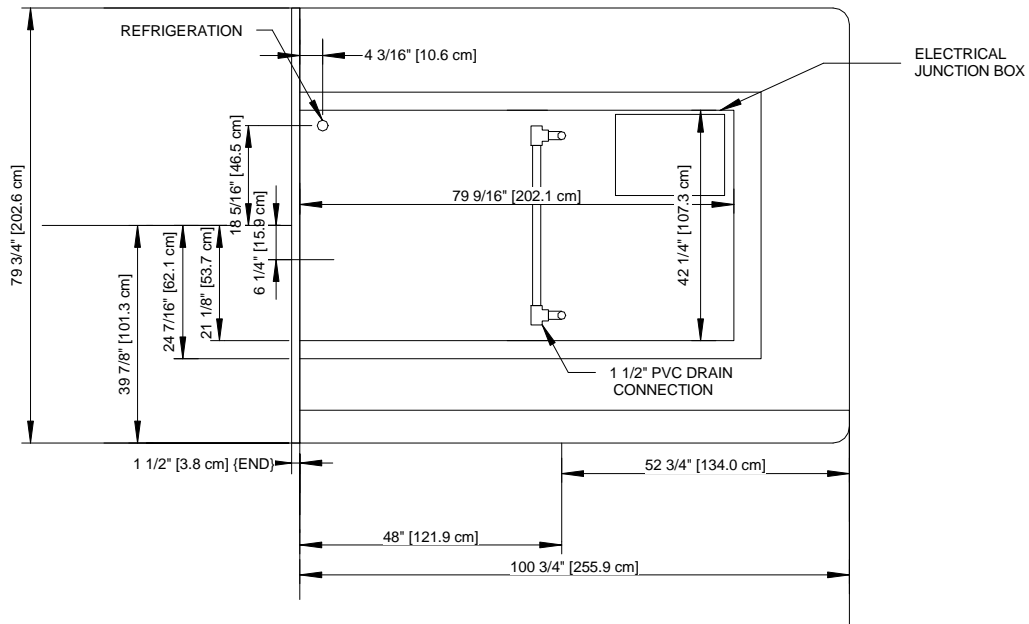
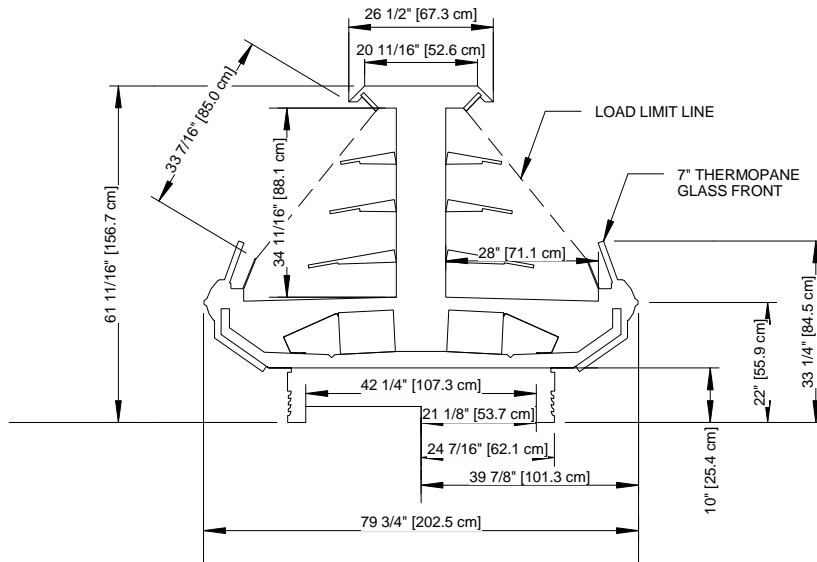
O4IDB 6' 2-2

Rev Date:	Rev #	Revision Description:
4-11-17	1	DOE 2017

Hillphoenix
A DOWER COMPANY

O4IDB

Wide Multi-Deck Island Merchandiser 6', 8', 12' (Deli / Meat) Single Wrap-Around End



COMPONENT

ALL MEASUREMENTS ARE TAKEN PER ASHRAE-72-2005 SPECIFICATIONS. HILLPHOENIX REFRIGERATED DISPLAY CASES FOR SALE IN THE UNITED STATES MEET OR EXCEED DEPARTMENT OF ENERGY 2017 EFFICIENCY REQUIREMENTS.

O4IDB 8' 1-2

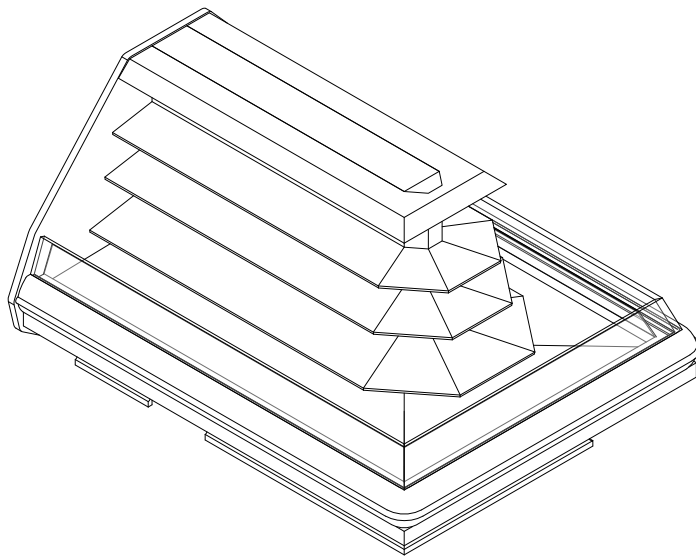
Rev Date:	Rev #	Revision Description:
4-11-17	1	DOE 2017

Hillphoenix

A DOWER COMPANY

O4IDB

Wide Multi-Deck Island Merchandiser
6', 8', 12' (Deli / Meat) Single Wrap-Around End



COMPONENT

ALL MEASUREMENTS ARE TAKEN PER ASHRAE-72-2005 SPECIFICATIONS. HILLPHOENIX REFRIGERATED DISPLAY CASES FOR SALE IN THE UNITED STATES MEET OR EXCEED DEPARTMENT OF ENERGY 2017 EFFICIENCY REQUIREMENTS.

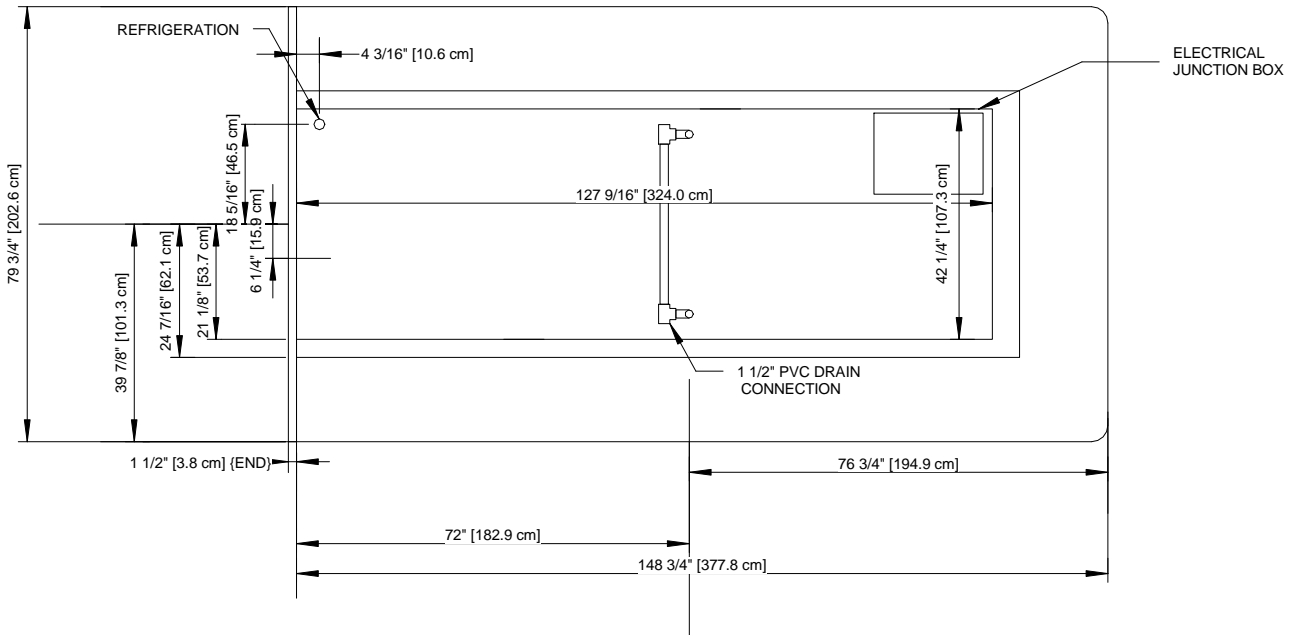
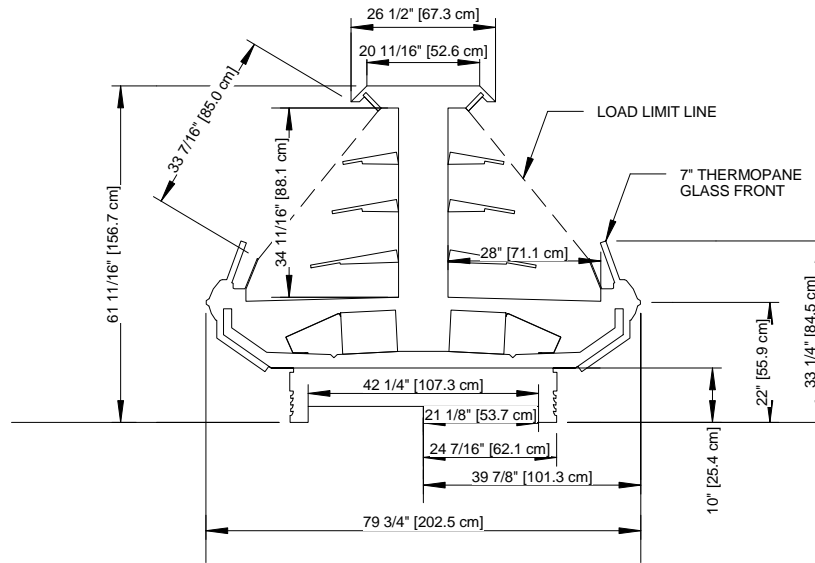
O4IDB 8' 2-2

Rev Date:	Rev #	Revision Description:
4-11-17	1	DOE 2017

Hillphoenix
A DOWER COMPANY

O4IDB

Wide Multi-Deck Island Merchandiser 6', 8', 12' (Deli / Meat) Single Wrap-Around End



COMPONENT

ALL MEASUREMENTS ARE TAKEN PER ASHRAE-72-2005 SPECIFICATIONS. HILLPHOENIX REFRIGERATED DISPLAY CASES FOR SALE IN THE UNITED STATES MEET OR EXCEED DEPARTMENT OF ENERGY 2017 EFFICIENCY REQUIREMENTS.

O4IDB 12' 1-2

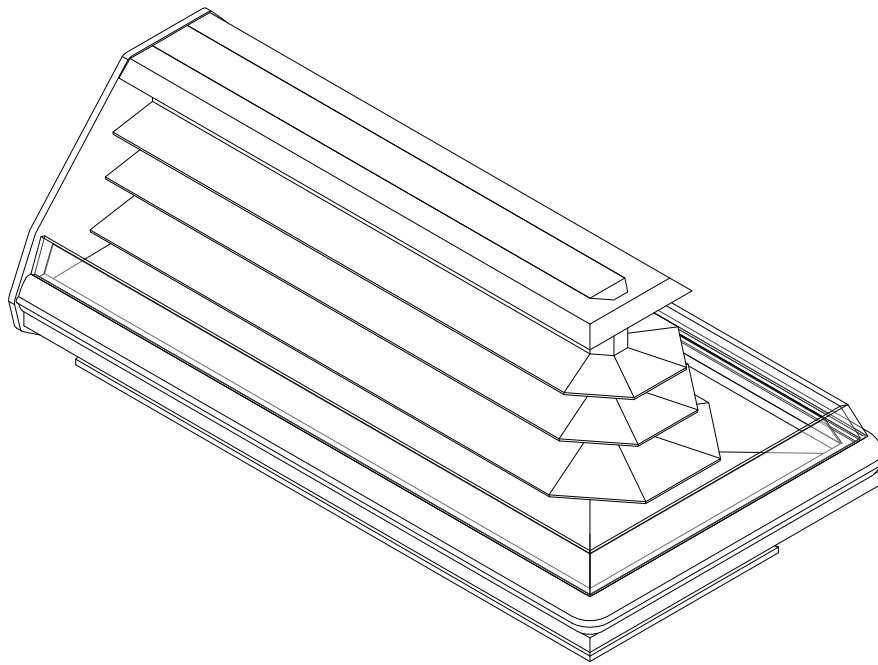
Rev Date:	Rev #	Revision Description:
4-11-17	1	DOE 2017

Hillphoenix

A DOWER COMPANY

O4IDB

Wide Multi-Deck Island Merchandiser
6', 8', 12' (Deli / Meat) Single Wrap-Around End



COMPONENT

O4IDB 12' 2-2

ALL MEASUREMENTS ARE TAKEN PER ASHRAE-72-2005 SPECIFICATIONS. HILLPHOENIX REFRIGERATED DISPLAY CASES FOR SALE IN THE UNITED STATES MEET OR EXCEED DEPARTMENT OF ENERGY 2017 EFFICIENCY REQUIREMENTS.

Rev Date:	Rev #	Revision Description:
4-11-17	1	DOE 2017

Hillphoenix

A DOWER COMPANY