

REFERENCE NOTES FOR ENGINEERING DATA

- Listed BTUH/ft data represent unlighted shelves. For LED lighting, add 9 BTUH/ft per row of lighted shelving.
- BTUH load increases by 132 BTUH/ft when aftermarket merchandising accessories are utilized.
- "0.00" indicates that data is not available yet
- Listed evaporator temperature represents unlighted shelves. For lighted shelves and/or aftermarket merchandising accessories, reduce the listed evaporator temperature by 2°F.
- Conventional Discharge Air Control – Recommended Settings: Cut-In Temp = Discharge Air + 2°F; Cut-Out Temp = Discharge Air - 2°F.
- Listed discharge air velocity represents the average velocity at the peak of defrost.
- Temperature and defrost settings listed below are recommended start-up settings. Final operational settings may need to be adjusted for the store conditions in which the case operates.
- The recommended evaporator temperatures may need to be adjusted based on system setup, store conditions, etc. The minimum recommended evaporator temperature is 4°F below the listed evaporator temperature.
- Rear-loading cases are designed for the rear door to open into an operating cooler.
- LED lights only.
- Maximum of 4 rows of Standard Output LED lighted shelves.
- Rear-loading cases are designed for the rear door to open into an operating cooler.

REFERENCE NOTES FOR CROSS SECTIONS

* : STUB-UP AREA

** : RECOMMENDED STUP-UP CENTERLINE FOR ELECTRICAL AND DRAINS

- Front sill height and overall case height varies with base frame height
- Ends add approximately 1" to case height. 1/2" to the back & 1" to the front
- Wiring to the the top adds approximately 4" to case height
- Cooler opening should be 82" x case length
- Available shelf sizes: 10", 12", 14", 16", 18", 20", 22" & 24"
- Dashed lines signify area inside base rial behind kick plate
- Casters add approximately 2 1/4" to case height
- All measurements are taken per ASHRAE-72-2005 specifications. Hillphoenix refrigerated display cases for sale in the United States meet or exceed department of energy 2017 efficiency requirements.



COMPONENT

ALL MEASUREMENTS ARE TAKEN PER ASHRAE-72-2005 SPECIFICATIONS. HILLPHOENIX REFRIGERATED DISPLAY CASES FOR SALE IN THE UNITED STATES MEET OR EXCEED DEPARTMENT OF ENERGY 2017 REQUIREMENTS.

O5DR-NRG

Rev Date:	Rev #	Revision Description:
10-13-17	1	DOE APPROVED

O5DR-NRG

Rear Load Multi-Deck Merchandiser with Synerg-E™
8' & 12' (Beverage / Dairy) - For use against cooler only

ELECTRICAL DATA			
Case Length	Fans Per Case	High Efficiency Fans	
		120 Volts	
		Amps	Watts
8'	4	0.90	67.0
12'	6	1.35	100.0

LIGHTING DATA						
Case Length	Lights Per Row	Light Length	Clearvoyant v4 LED Lighting (Per Light Row)			
			Standard Power (Cornice or Shelf)		High Power (Cornice Only)	
			120 Volts		120 Volts	
			Amps	Watts	Amps	Watts
8'	2	4'	0.10	11.8	0.25	29.9
12'	3	4'	0.15	17.6	0.37	44.8

GUIDELINES AND CONTROL SETTINGS							
Application	Front Sill Height	BTUH/ft		Superheat Set Point @ Bulb	Evaporator	Discharge Air	Discharge Air Velocity
		Conventional	Parallel				
Dairy / Deli / Cut Produce	Std.Dairy	1400	1225	6-8 °F	28 °F	32 °F	250 FPM
Dairy	2.5" Extended	1360	1190	6-8 °F	28 °F	32 °F	250 FPM
Dairy	5" Extended	1331	1165	6-8 °F	28 °F	32 °F	250 FPM
Dairy	7.5" Extended	1309	1145	6-8 °F	28 °F	32 °F	250 FPM
Beverage	Std.Dairy	1075	1045	6-8 °F	34 °F	37 °F	250 FPM
Beverage	2.5" Extended	1044	1015	6-8 °F	34 °F	37 °F	250 FPM
Beverage	5" Extended	1008	980	6-8 °F	34 °F	37 °F	250 FPM

DEFROST CONTROLS			
Application	Defrosts Per Day	Timed-Off Defrost	
		Fail-Safe	Termination Temp
Dairy / Deli / Cut Produce	6	40 (Min)	42 °F



ALL MEASUREMENTS ARE TAKEN PER ASHRAE-72-2005 SPECIFICATIONS. HILLPHOENIX REFRIGERATED DISPLAY CASES FOR SALE IN THE UNITED STATES MEET OR EXCEED DEPARTMENT OF ENERGY 2017 REQUIREMENTS.

O5DR-NRG

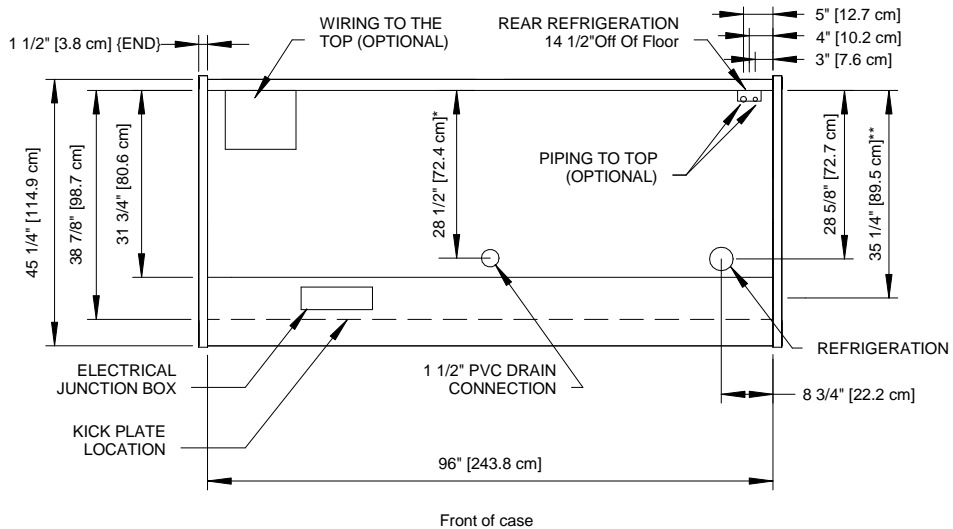
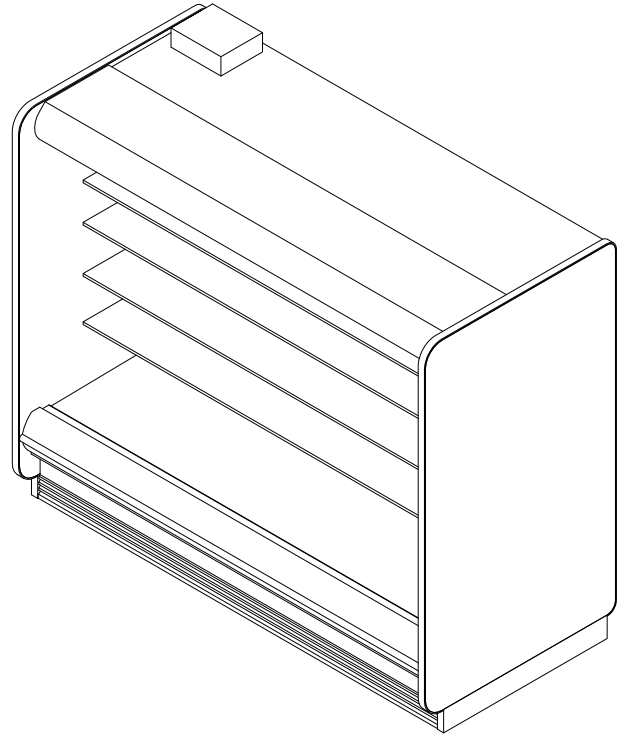
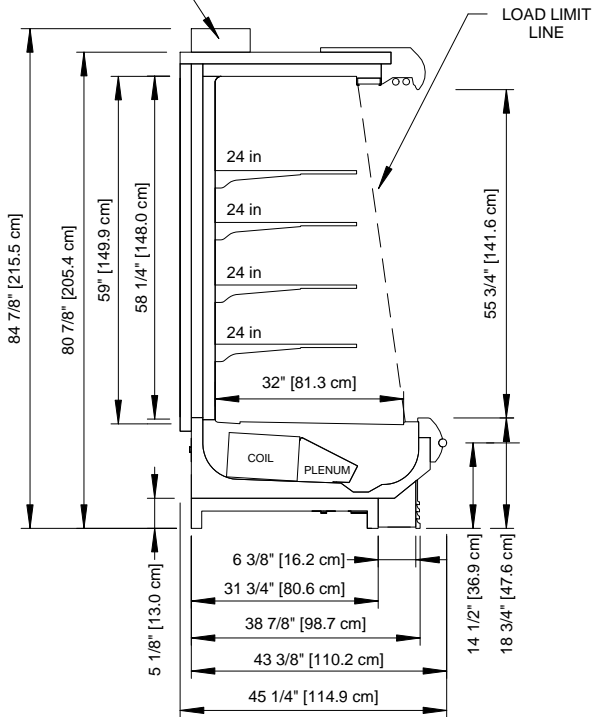
Rev Date:	Rev #	Revision Description:
10-13-17	1	DOE APPROVED



O5DR-NRG

Rear Load Multi-Deck Merchandiser with Synerg-E™
8' & 12' (Beverage / Dairy) - For use against cooler only

OPTIONAL WIRING
TO THE TOP
12 in X 10 in X 4 in



COMPONENT

ALL MEASUREMENTS ARE TAKEN PER ASHRAE-72-2005 SPECIFICATIONS. HILLPHOENIX REFRIGERATED DISPLAY CASES FOR SALE IN THE UNITED STATES MEET OR EXCEED DEPARTMENT OF ENERGY 2017 REQUIREMENTS.

O5DR-NRG 8'

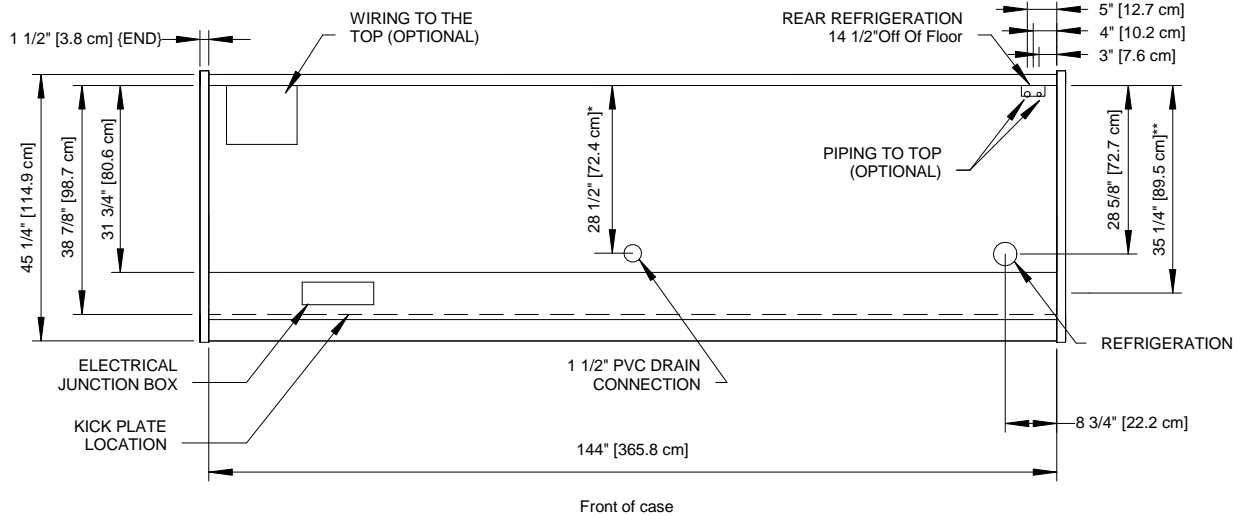
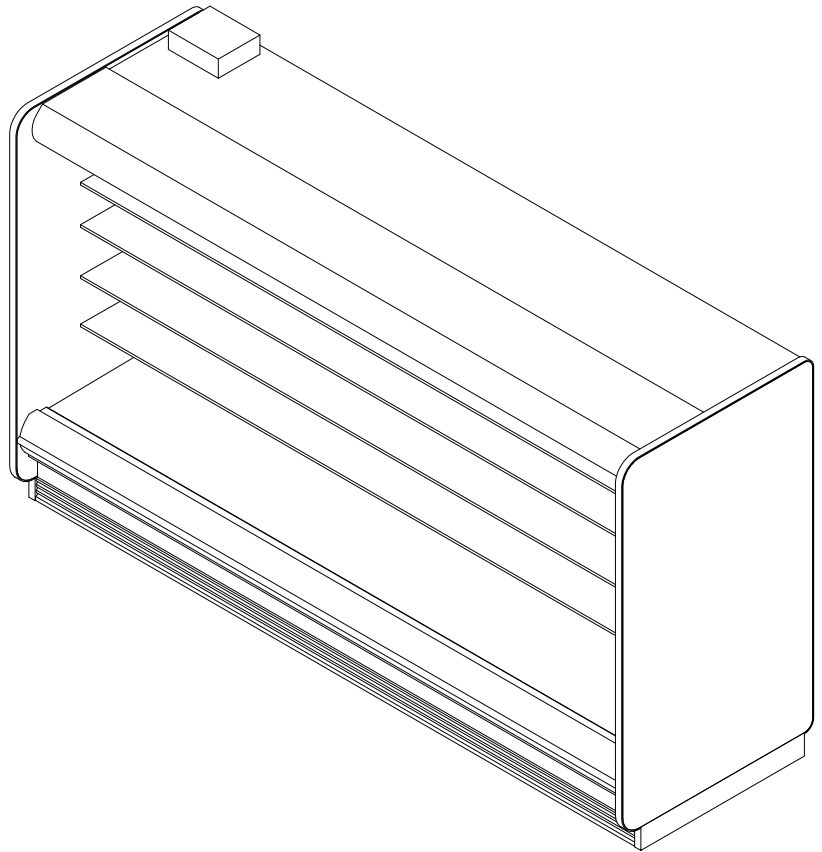
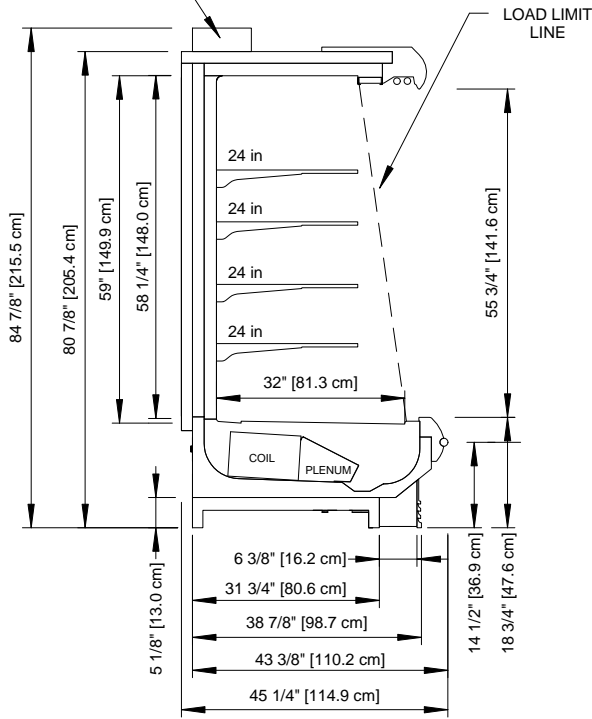
Rev Date:	Rev #	Revision Description:
10-13-17	1	DOE APPROVED



O5DR-NRG

Rear Load Multi-Deck Merchandiser with Synerg-E™
8' & 12' (Beverage / Dairy) - For use against cooler only

OPTIONAL WIRING
TO THE TOP
12 in X 10 in X 4 in



COMPONENT

ALL MEASUREMENTS ARE TAKEN PER ASHRAE-72-2005 SPECIFICATIONS. HILLPHOENIX REFRIGERATED DISPLAY CASES FOR SALE IN THE UNITED STATES MEET OR EXCEED DEPARTMENT OF ENERGY 2017 REQUIREMENTS.

O5DR-NRG 12'

Rev Date:	Rev #	Revision Description:
10-13-17	1	DOE APPROVED

