

REFERENCE NOTES FOR ENGINEERING DATA:

- "0.00" indicates that the feature is not an option on this case model
- LED Lights Only.
- Cornice lights are either standard or high output.
- Shelf Lights are standard output only.
- Listed LED lighting values represent a full row of shelves (including wrap-around ends).
- Listed BTUH/ft data represents unlighted shelves. For LED lighting, add 9 BTUH/ft per row of lighted shelving.
- BTUH/ft per row of lighted shelving.
- Load data represents the sum of both coils.
- For each wrap-around end, the listed BTUH load must be increased by 400 BTUH for meat applications and 250 BTUH for deli applications.
- Listed evaporator temperature represents unlighted shelves. For lighted shelves and/or aftermarket merchandising accessories, reduce the listed evaporator temperature by 2°F.
- BTUH load increases by 132 BTUH/ft when aftermarket merchandising accessories are utilized.
- Listed discharge air velocity represents the average velocity at the peak of defrost.
- Timed - Off defrost is only recommended at evaporator temperatures greater than 22°F.
- Temperature and defrost settings listed above are recommended start-up settings. Final operational settings may need to be adjusted for the store conditions in which the case operates.
- The recommended evaporator temperatures may need to be adjusted based on system setup, store conditions, etc. The minimum recommended evaporator temperature is 4°F below the listed evaporator temperature.

REFERENCE NOTES FOR CROSS SECTIONS:

- * : STUB-UP AREA
- SUCTION LINE - 7/8", LIQUID LINE - 3/8"
- Suction Line - 7/8", Liquid Line - 3/8"
- Dashed lines signify area inside base rail behind kick-plate
- Casters add approximately 2 1/4" to case height



ALL MEASUREMENTS ARE TAKEN PER ASHRAE-72-2005 SPECIFICATIONS. HILLPHOENIX REFRIGERATED DISPLAY CASES FOR SALE IN THE UNITED STATES MEET OR EXCEED DEPARTMENT OF ENERGY 2017 REQUIREMENTS.

OIM

Rev Date:	Rev #	Revision Description:
2/17/2017	1	DOE 2017



ELECTRICAL DATA									
Case Length	Fans Per Case	High Efficiency Fans		Anti-Condensate Heaters		Defrost Heaters			
		120 Volts		120 Volts		208 Volts		240 Volts	
		Amps	Watts	Amps	Watts	Amps	Watts	Amps	Watts
8'	6	0.90	66	0.82	98	4.34	902	5.00	1200
12'	8	1.20	88	1.08	130	7.22	1502	8.33	2000

LIGHTING DATA								
Case Length	Shelf Depth	Lights Per Row	Light Length	Clearvoyant v4 LED Lighting (Per Light Row)				
				Standard Power (Cornice or Shelf)		High Power (Cornice)		
				120 Volts		120 Volts		
				Amps	Watts	Amps	Watts	Watts
8'	Super Structure	2	2 (3ft)	0.08	9.4	0.20	23.8	
12'	Super Structure	4	2 (3ft), 2 (4ft)	0.18	21.2	0.45	53.6	

GUIDELINES & CONTROL SETTINGS						
Application	BTUH/ft		Superheat @ Bulb Set Point	Evaporator	Discharge Air	Discharge Air Velocity
	Conventional	Parallel				
Dairy / Deli / Produce	535	496	6-8 °F	17 °F	28 °F	140 FPM
Meat	762	706	6-8 °F	12 °F	26 °F	140 FPM

DEFROST CONTROLS							
Defrosts Per Day	Run-Off Time	Electric Defrost		Timed-Off Defrost		Hot Gas Defrost	
		Fail-Safe	Termination Temp	Fail-Safe	Termination Temp	Fail-Safe	Termination Temp
3	6-8 (Min)	40 (Min)	47 °F	45 (Min)	47 °F	26 (Min)	45 °F



ALL MEASUREMENTS ARE TAKEN PER ASHRAE-72-2005 SPECIFICATIONS. HILLPHOENIX REFRIGERATED DISPLAY CASES FOR SALE IN THE UNITED STATES MEET OR EXCEED DEPARTMENT OF ENERGY 2017 REQUIREMENTS.

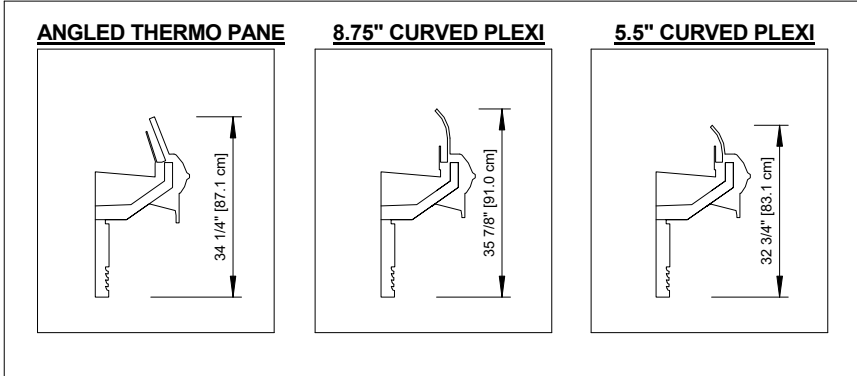
OIM

Rev Date:	Rev #	Revision Description:
2/17/2017	1	DOE 2017

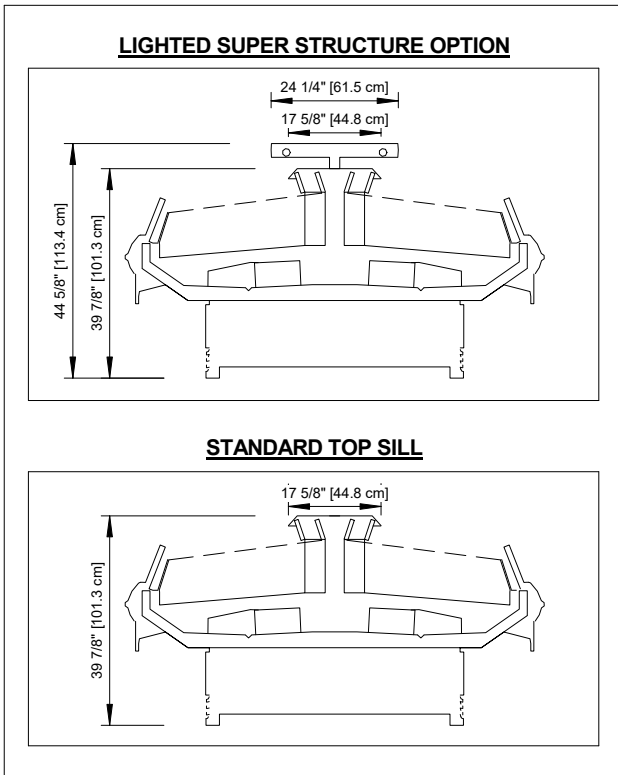


A BOWEN COMPANY

GLASS FRONT OPTIONS



SUPERSTRUCTURE OPTIONS



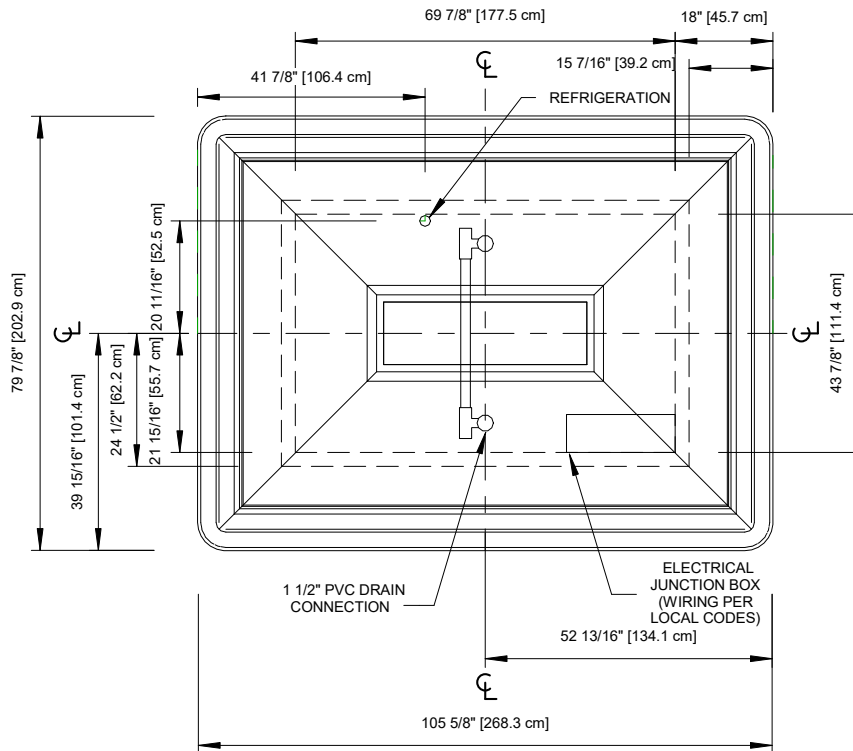
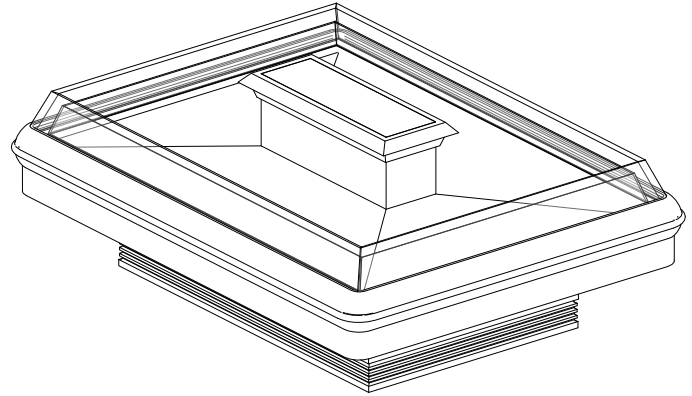
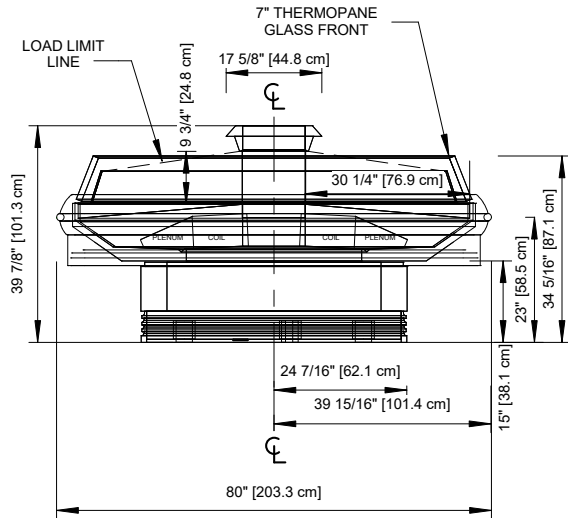
ALL MEASUREMENTS ARE TAKEN PER ASHRAE-72-2005 SPECIFICATIONS. HILLPHOENIX REFRIGERATED DISPLAY CASES FOR SALE IN THE UNITED STATES MEET OR EXCEED DEPARTMENT OF ENERGY 2017 REQUIREMENTS.

OIM

Rev Date:	Rev #	Revision Description:
9-27-17	1	DOE 2017

Hillphoenix

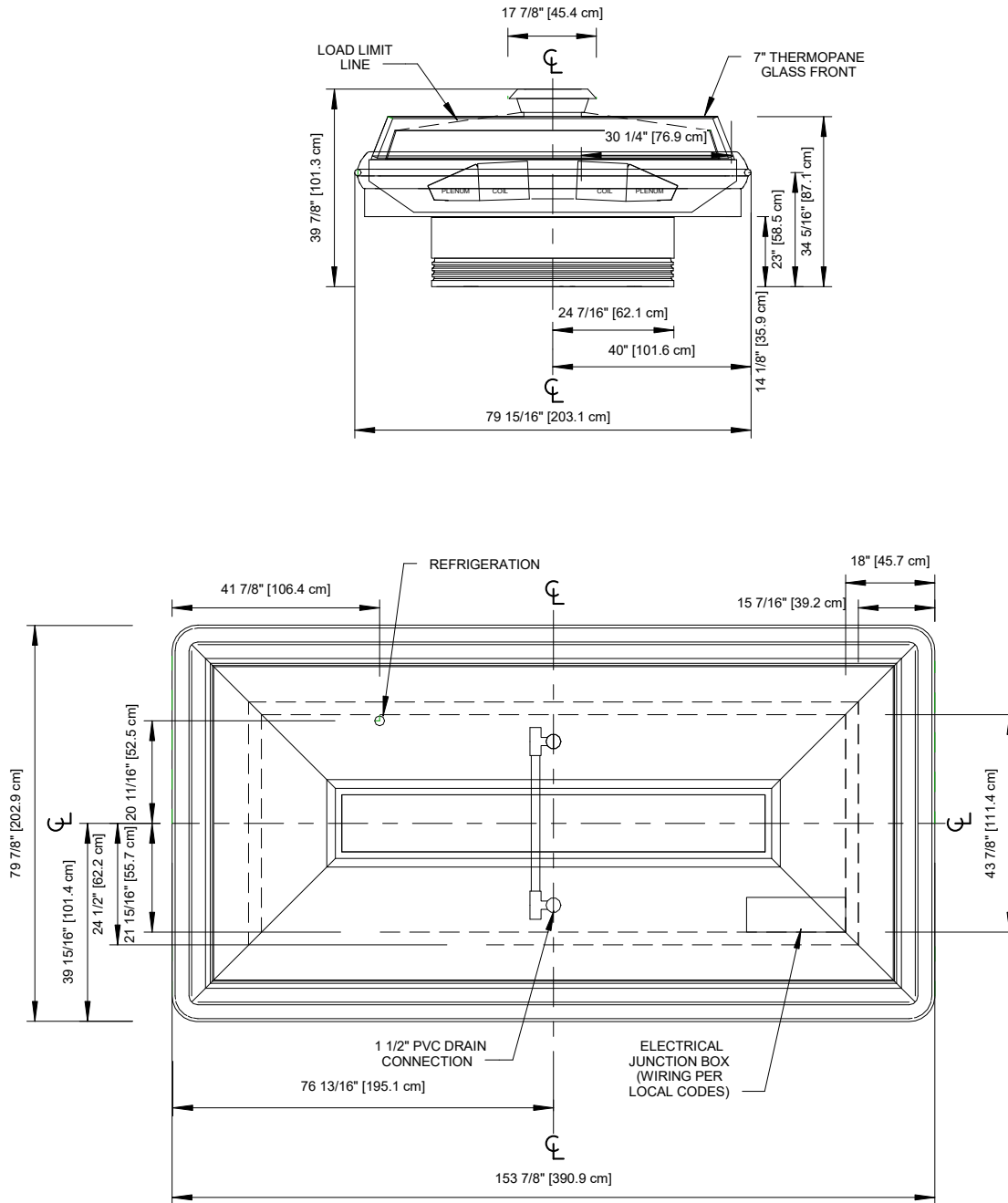
A DOVER COMPANY



ALL MEASUREMENTS ARE TAKEN PER ASHRAE-72-2005 SPECIFICATIONS. HILLPHOENIX REFRIGERATED DISPLAY CASES FOR SALE IN THE UNITED STATES MEET OR EXCEED DEPARTMENT OF ENERGY 2017 REQUIREMENTS.

OIM 8'

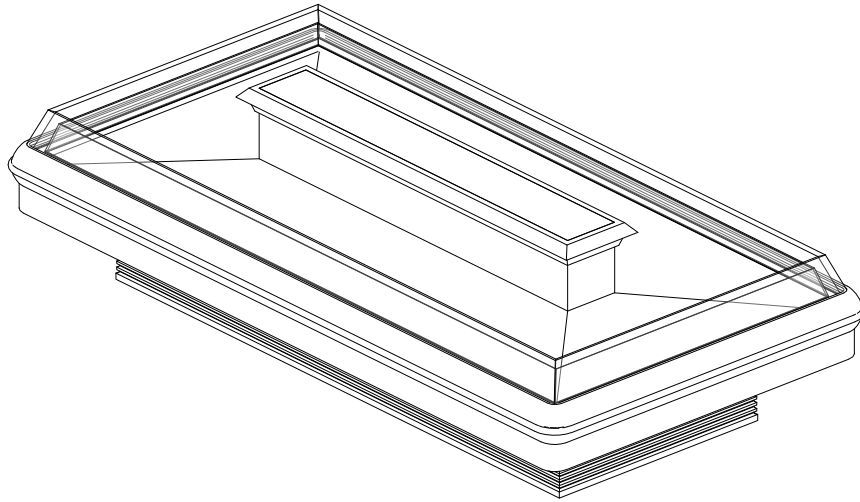
Rev Date:	Rev #	Revision Description:
2/17/2017	1	DOE 2017



ALL MEASUREMENTS ARE TAKEN PER ASHRAE-72-2005 SPECIFICATIONS. HILLPHOENIX REFRIGERATED DISPLAY CASES FOR SALE IN THE UNITED STATES MEET OR EXCEED DEPARTMENT OF ENERGY 2017 REQUIREMENTS.

OIM 12' 1-2

Rev Date:	Rev #	Revision Description:
2/17/2017	1	DOE 2017



ALL MEASUREMENTS ARE TAKEN PER ASHRAE-72-2005 SPECIFICATIONS. HILLPHOENIX REFRIGERATED DISPLAY CASES FOR SALE IN THE UNITED STATES MEET OR EXCEED DEPARTMENT OF ENERGY 2017 REQUIREMENTS.

OIM 12' 2-2

Rev Date:	Rev #	Revision Description:
2/17/2017	1	DOE 2017